

Built-In Side-by-Side Refrigerators



Architect® Series II

KSSC48/42/36FT
KSSO48/42/36FT

Keep your favorite ingredients tasting as fresh as the day you bought them. The **ExtendFresh™ Plus Temperature Management System** independently monitors temperatures to help ensure maximum taste and texture.

Cabinetry by Shenandoah Cabinetry®. Zodiac® Quartz Surface by DuPont.



Custom Overlay Panels
and Handles
KSSO48FTX



Stainless Steel
KSSC42FTS



FOR THE WAY IT'S MADE.®



Built-In Side-by-Side Refrigerators

AquaSense™ Base-Grille Filtration System – Filtered by PÜR®

A filter reduces impurities for fresh-tasting water and is located on the base grille, so it doesn't take away usable refrigerator space.

On Demand Pulsed Defrost System

A system that helps maintain the freshness and taste of frozen foods by minimizing temperature swings in the freezer.

KSSC48FT – 48-Inch
KSSC42FT – 42-Inch
KSSC36FT – 36-Inch

- ExtendFresh™ Plus Temperature Management System
- AquaSense™ Base-Grille Filtration System – Filtered by PÜR®
- Fahrenheit and Celsius Temperature Display
- On Demand Pulsed Defrost System
- Automatic Ice Maker
- Adjustable SpillClean™ Glass Shelves
- ClearVue™ SatinGlide® Crispers
- ExtendFresh™ Ingredient Care Center
- Dual Magna Seal™ Gasket System
- ClearVue™ Slide N Lock™ Door Storage
- Whisper Quiet® Compressor System
- Foam-in-Place Insulation
- Glass-Touch Electronic Controls
- Holiday/Sabbath Mode
- ENERGY STAR® Qualified
- Star-K Certified
- Stainless Steel (S)

KSSO48FT – 48-Inch
KSSO42FT – 42-Inch
KSSO36FT – 36-Inch

Similar to models KSSC48FT, KSSC42FT, and KSSC36FT. Requires installation of custom overlay panels and handles. Available in brushed aluminum trim (X).

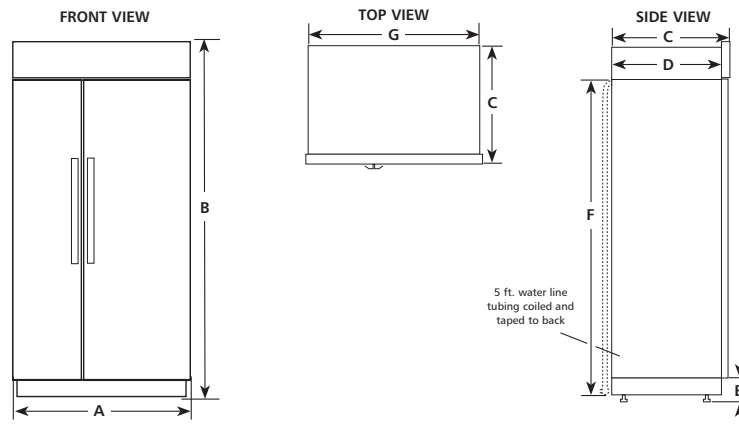
PRODUCT DIMENSIONS

	A	B*	C**	D	E*	F†	G
48-INCH	48 1/4"	83 3/8"	25 3/8"	23 1/2"	3 1/2"	84"	47"
42-INCH	42 1/4"	83 3/8"	25 3/8"	23 1/2"	3 1/2"	84"	41"
36-INCH	36 1/4"	83 3/8"	25 3/8"	23 1/2"	3 1/2"	84"	35"

*Leg levelers extended 1/8" below rollers; add 1 1/8" for levelers fully extended 1 1/4" below rollers.

**Dimension is to front of top grille, excluding custom panel.

†Power cord.



CUTOUT DIMENSIONS

	WIDTH† (min./max.)	HEIGHT (min./max.)	DEPTH (min.)
48-INCH	47 1/2"/47 3/4"	83 1/2"/84 3/4"	24"
42-INCH	41 1/2"/41 3/4"	83 1/2"/84 3/4"	24"
36-INCH	35 1/2"/35 3/4"	83 1/2"/84 3/4"	24"

†To allow sufficient airflow to the compressor, side trim must be on the outside of adjoining cabinets and not recessed into the cutout.

The location must permit both doors to open to a minimum of 90°. Allow 4 1/2" minimum space between the side of the refrigerator and a corner wall, including baseboard area.

More clearance may be required if you are using overlay panels or custom handles.

Electrical: A 115 Volt, 60 Hz., AC only 15- or 20-amp fused, grounded electrical supply on a separate circuit. A GFCI (Ground Fault Circuit Interrupter) outlet is not recommended.

Water Supply: A cold water supply with water pressure between 30 and 120 psi (207-827 kPa).

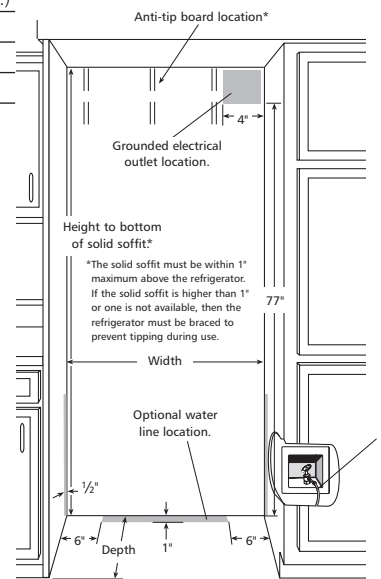
Dimensions are for planning purposes only. For complete details, see Installation Instructions packed with product. Specifications subject to change without notice.

Water shutoff may be located in the base cabinet on either side of refrigerator for easy access. The access hole through the cabinet must be within 1/2" of rear wall.

If installed behind refrigerator, water shutoff valve must be angled so that tubing is not damaged.

Face of cabinetry must be plumb.

Floor: Must support refrigerator (more than 600 pounds) and must be at the same level as flooring in the room.



KitchenAid®
FOR THE WAY IT'S MADE.®

®Registered trademark/™Trademark of KitchenAid, U.S.A.

©2007. All rights reserved.

KitchenAid • Benton Harbor, Michigan 49022 U.S.A.

®ENERGY STAR is a U.S. registered mark.

PÜR® is a registered trademark of The Procter & Gamble Company.

®Shenandoah Cabinetry is a registered trademark of American Woodmark Corporation.

®Zodiaq is a DuPont registered trademark for its quartz surfaces. Only DuPont makes Zodiaq.

(27783RC0307)

Printed in U.S.A.

For Additional Information
About KitchenAid® Appliances

Visit KitchenAid.com or call the Customer
Experience Center 1-800-422-1230.



03/07

KKRL219