

# BLACK+ DECKER™

## 40V MAX\* LITHIUM TRIMMER / EDGER

### INSTRUCTION MANUAL

CATALOG NUMBER  
**LST136**

For use only with LB series 36v or 40v MAX\* batteries.

**Thank you for choosing BLACK+DECKER!**

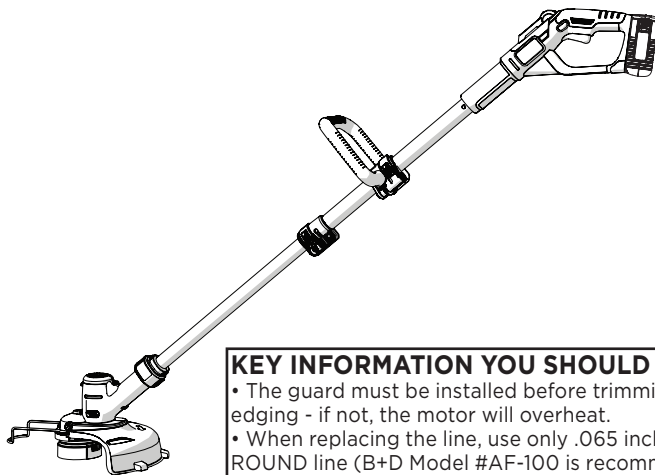
**PLEASE READ BEFORE RETURNING THIS PRODUCT FOR ANY REASON.**

If you have a question or experience a problem with your BLACK+DECKER purchase, go to <http://www.blackanddecker.com/instantanswers> . If you can't find the answer or do not have access to the Internet, call 1-800-544-6986 from 8 a.m. to 5 p.m. EST Mon. - Fri. to speak with an agent. Please have the catalog number available when you call.

**SAVE THIS MANUAL FOR FUTURE REFERENCE.**

**VEA EL ESPAÑOL EN LA CONTRAPORTADA. INSTRUCTIVO DE OPERACIÓN, CENTROS DE SERVICIO Y PÓLIZA DE GARANTÍA. ADVERTENCIA: LÉASE ESTE INSTRUCTIVO ANTES DE USAR EL PRODUCTO.**

\*Maximum initial battery pack voltage (measured without a workload) is 40 volts. Measured under a workload, nominal voltage is 36.



#### **KEY INFORMATION YOU SHOULD KNOW:**

- The guard must be installed before trimming or edging - if not, the motor will overheat.
- When replacing the line, use only .065 inch diameter ROUND line (B+D Model #AF-100 is recommended) - otherwise the tool will not function properly.
- Do not bump the feed head against the ground - it will disrupt the feed mechanism.

**To register your new product, visit [www.BlackandDecker.com/NewOwner](http://www.BlackandDecker.com/NewOwner)**

## SAFETY GUIDELINES - DEFINITIONS

It is important for you to read and understand this manual. The information it contains relates to protecting YOUR SAFETY and PREVENTING PROBLEMS. The symbols below are used to help you recognize this information.

**⚠DANGER:** Indicates an imminently hazardous situation which, if not avoided, will result in death or serious injury.

**⚠WARNING:** Indicates a potentially hazardous situation which, if not avoided, could result in death or serious injury.

**⚠CAUTION:** Indicates a potentially hazardous situation which, if not avoided, may result in minor or moderate injury.

**NOTICE:** Used without the safety alert symbol indicates a potentially hazardous situation which, if not avoided, may result in property damage.

## IMPORTANT SAFETY WARNINGS & INSTRUCTIONS

**⚠WARNING:** When using electric gardening appliances, basic safety precautions should always be followed to reduce risk of fire, electric shock, and personal injury, including the following.

### Read All Instructions

- **ALWAYS WEAR EYE PROTECTION** – Wear safety spectacles or goggles at all times when this tool is plugged in.
- **GUARD** – Do not use this tool without guard attached.
- **DRESS PROPERLY** – Do not wear loose clothing or jewelry. They can be caught in moving parts. Rubber gloves and substantial rubber soled footwear are recommended when working outdoors. Don't operate the tool when barefoot or wearing open sandals. Wear **heavy long pants** to protect your legs. Wear protective hair covering to contain long hair.
- **NYLON LINE** – Keep face, hands and feet clear of rotating nylon line at all times.
- **THE ROTATING LINE PERFORMS A CUTTING FUNCTION** – Use care when trimming around screens and desirable plantings.

- **KEEP ALL BYSTANDERS AWAY** – at a safe distance from work area, especially children.
- **IMPORTANT WARNING** – When being used as an Edger, stones, pieces of metal and other objects can be thrown out at high speed by the line. The tool and guard are designed to reduce the danger. However, the following special precautions should be taken: **MAKE SURE** that other persons and pets are at least 100 feet (30m) away.
- **TO REDUCE THE RISK** of rebound (ricochet) injury, work going away from any nearby solid object such as wall, steps, large stone, tree, etc. Use great care when working close to solid objects and where necessary, do edging or trimming by hand.
- **AVOID ACCIDENTALLY STARTING** – Don't carry plugged-in tool with finger on trigger.
- **DO NOT FORCE THE TOOL** – at a rate faster than the rate at which it is able to cut effectively.
- **USE THE RIGHT TOOL** – Do not use this tool for any job except that for which it is intended.
- **DON'T OVERREACH** – Keep proper footing and balance at all times.
- **DAMAGE TO UNIT** – If you strike or become entangled with a foreign object, stop tool immediately, unplug, check for damage and have any damage repaired before further operation is attempted. Do not operate with a broken hub or spool.
- **DISCONNECT TOOL** – when not in use, when replacing line, or prior to cleaning.
- **AVOID DANGEROUS ENVIRONMENTAL CONDITIONS** – Do not use electric tools in damp or wet locations. Follow all instructions in this Instruction Manual for proper operation of your tool. Don't use the tool in the rain.
- **DO NOT OPERATE** portable electric tools in gaseous or explosive atmospheres. Motors in these tools normally spark, and the sparks might ignite fumes.
- **STORE IDLE TOOLS INDOORS** – When not in use, tools should be stored indoors in a dry, locked-up place out of reach of children.
- **STAY ALERT** – Do not operate this unit when you are tired, ill, or under the influence of alcohol, drugs, or medication.
- **MAINTAIN APPLIANCES WITH CARE** – Follow instructions in maintenance section. Keep handles dry, clean and free from oil and grease.
- **CHECK DAMAGED PARTS** – Before further use of the

appliance, a guard or other part that is damaged should be carefully checked to determine that it will operate properly and perform its intended function. Check for alignment of moving parts, binding of moving parts, breakage of parts, mounting, and any other condition that may affect its operation. A guard or other part that is damaged should be properly repaired or replaced by an authorized service center unless otherwise indicated elsewhere in this manual.

- DO NOT immerse tool in water or squirt it with a hose. DO NOT allow any liquid to get inside it.
- DO NOT store the tool on or adjacent to fertilizers or chemicals.
- DO NOT clean with a pressure washer.
- Keep guards in place and in working order.
- Keep hands and feet away from cutting area.

**⚠WARNING:** Do not use tool if the switch trigger does not turn the tool on or off. Any tool that can not be controlled with the switch trigger is dangerous and must be repaired.

## SAVE THESE INSTRUCTIONS

### SYMBOLS

The label on your tool may include the following symbols. The symbols and their definitions are as follows:

V .....	volts	A.....	amperes
Hz .....	hertz	W.....	watts
min .....	minutes	~ or AC.....	alternating current
== or DC .....	direct current	n <sub>o</sub> .....	no load speed
ⓘ .....	Class I Construction (grounded)	⊕ .....	earthing terminal
Ⓜ .....	Class II Construction (double insulated)	⚠ .....	safety alert symbol
↺ .....	Read instruction manual before use	.../min or rpm.....	revolutions or reciprocation per minute
👤 .....	Use proper respiratory protection		
👁 .....	Use proper eye protection		
👂 .....	Use proper hearing protection		

**⚠WARNING:** Some dust created by this product contains chemicals known to the State of California to cause cancer, birth defects or other reproductive harm. Some examples of these chemicals are:

- compounds in fertilizers
- compounds in insecticides, herbicides and pesticides
- arsenic and chromium from chemically treated lumber

To reduce your exposure to these chemicals, wear approved safety equipment such as dust masks that are specially designed to filter out microscopic particles.

## IMPORTANT SAFETY INSTRUCTIONS FOR BATTERY CHARGERS

**SAVE THESE INSTRUCTIONS:** This manual contains important safety instructions for battery chargers.

- Before using charger, read all instructions and cautionary markings on charger, battery pack, and product using battery pack.

**⚠WARNING: Shock hazard.** Do not allow any liquid to get inside charger.

**⚠CAUTION: Burn hazard.** To reduce the risk of injury, charge only designated **BLACK+DECKER** batteries. Other types of batteries may burst causing personal injury and damage.

**⚠CAUTION:** Under certain conditions, with the charger plugged in to the power supply, the charger can be shorted by foreign material. Foreign materials of a conductive nature such as, but not limited to, steel wool, aluminum foil, or any buildup of metallic particles should be kept away from charger cavities. Always unplug the charger from the power supply when there is no battery pack in the cavity. Unplug charger before attempting to clean.

**⚠WARNING:**

- **DO NOT attempt to charge the battery pack with any chargers other than the ones in this manual. The charger and battery pack are specifically designed to work together.**
- **These chargers are not intended for any uses other than**

charging designated **BLACK+DECKER** rechargeable batteries. Any other uses may result in risk of fire, electric shock or electrocution.

- Do not expose charger to rain or snow.
- Pull by plug rather than cord when disconnecting charger. This will reduce risk of damage to electric plug and cord.
- Make sure that cord is located so that it will not be stepped on, tripped over, or otherwise subjected to damage or stress.
- Do not use an extension cord unless it is absolutely necessary. Use of improper extension cord could result in risk of fire, electric shock, or electrocution.
- An extension cord must have adequate wire size (AWG or American Wire Gauge) for safety. The smaller the gauge number of the wire, the greater the capacity of the cable, that is 16 gauge has more capacity than 18 gauge. When using more than one extension to make up the total length, be sure each individual extension contains at least the minimum wire size.

**Recommended Minimum Wire Size for Extension Cords**

Minimum Gauge for Cord Sets						
Volts	Total Length of Cord in Feet					
120V	0-25	26-50	51-100	101-150		
240V	0-50	51-100	101-200	201-300		
Ampere Rating						
More Than		Not more Than		American Wire Gauge		
0	-	6	18	16	16	14
6	-	10	18	16	14	12
10	-	12	16	16	14	12
12	-	16	14	12	Not Recommended	

- Do not place any object on top of charger or place the charger on a soft surface that might block the ventilation slots and result in excessive internal heat. Place the charger in a position away from any heat source. The charger is ventilated through slots in the top and the bottom of the housing.
- Do not mount charger on wall or permanently affix charger

to any surface. The charger is intended to use on a flat, stable surface (i.e., table top, bench top).

- Do not operate charger with damaged cord or plug — have them replaced immediately.
- Do not operate charger if it has received a sharp blow, been dropped, or otherwise damaged in any way. Take it to an authorized service center.
- Do not disassemble charger; take it to an authorized service center when service or repair is required. Incorrect reassembly may result in a risk of electric shock, electrocution or fire.
- Disconnect the charger from the outlet before attempting any cleaning. This will reduce the risk of electric shock. Removing the battery pack will not reduce this risk.
- NEVER attempt to connect 2 chargers together.
- The charger is designed to operate on standard household electrical power (120 Volts). Do not attempt to use it on any other voltage.

**SAVE THESE INSTRUCTIONS**

**IMPORTANT SAFETY INSTRUCTIONS FOR BATTERY PACKS**

**⚠WARNING:** For safe operation, read this manual and manuals originally supplied with tool before using the charger.

The battery pack is not fully charged out of the carton. Before using the battery pack and charger, read the safety instructions below. Then follow charging procedures outlined.

**READ ALL INSTRUCTIONS**

- Do not incinerate the battery pack even if it is severely damaged or is completely worn out. The battery pack can explode in a fire. Toxic fumes and materials are created when battery packs are burned.
- Do not charge or use battery in explosive atmospheres, such as in the presence of flammable liquids, gases or dust. Inserting or removing the battery from the charger may ignite the dust or fumes.

- **If battery contents come into contact with the skin, immediately wash area with mild soap and water.** *If battery liquid gets into the eye, rinse water over the open eye for 15 minutes or until irritation ceases. If medical attention is needed, the battery electrolyte for Li-ion batteries is composed of a mixture of liquid organic carbonates and lithium salts.*
- **Contents of opened battery cells may cause respiratory irritation.** *Provide fresh air. If symptoms persist, seek medical attention.*

**⚠WARNING: Burn hazard.** Battery liquid may be flammable if exposed to spark or flame.

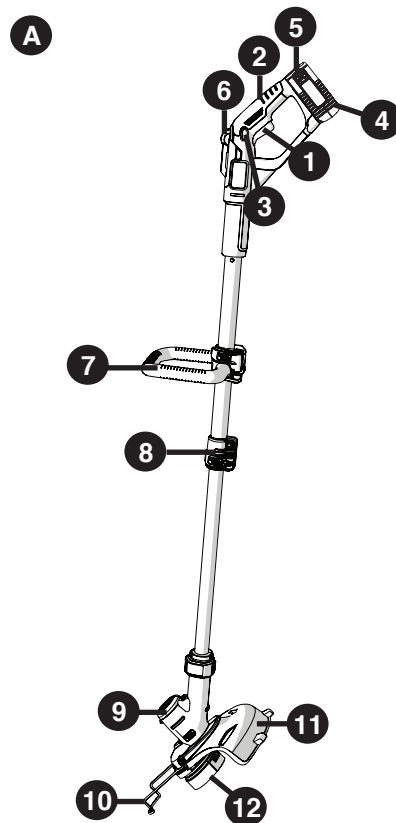
- Charge the battery packs only in **BLACK+DECKER** chargers.
- **DO NOT splash or immerse in water or other liquids.** This may cause premature cell failure.
- **Do not store or use the tool and battery pack in locations where the temperature may reach or exceed 105°F (40°C) (such as outside sheds or metal buildings in summer).**

**⚠WARNING:** Never attempt to open the battery pack for any reason. If battery pack case is cracked or damaged, do not insert into charger. Do not crush, drop or damage battery pack. Do not use a battery pack or charger that has received a sharp blow, been dropped, run over or damaged in any way (i.e., pierced with a nail, hit with a hammer, stepped on). Damaged battery packs should be returned to service center for recycling.

**⚠WARNING: Fire hazard.** Do not store or carry battery so that metal objects can contact exposed battery terminals. For example, do not place battery in aprons, pockets, tool boxes, product kit boxes, drawers, etc., with loose nails, screws, keys, etc. **Transporting batteries can possibly cause fires if the battery terminals inadvertently come in contact with conductive materials such as keys, coins, hand tools and the like.** The US Department of Transportation Hazardous Material Regulations (HMR) actually prohibit transporting batteries in commerce or on airplanes (i.e., packed in suitcases and carry-on luggage) UNLESS they are properly protected from short circuits. So when transporting individual batteries, make sure that the battery terminals are protected and well insulated from materials that could contact them and cause a short circuit. **NOTE: Batteries should not be put in checked baggage.**

## COMPONENTS

1. On/Off Switch
2. Handle
3. Lock Off Button
4. Battery
5. Charge Indicator
6. Power Command
7. Auxillary Handle
8. Height Adjust
9. Trimmer Head
10. Edge Guide
11. Guard
12. Spool Housing



BLACK+DECKER Battery and Charger Systems				
Chargers/Charge Time** (Hours) (0% - 100% charge)				
40V MAX* Batteries	Watt Hours	40V MAX* Chargers		
		LCS36	LCS40	LCS436
LBX36	47	1	1	3.25
LBXR36	60	1.25	1.25	3.75
LBX1540	60	1.25	1.25	3.75
LBXR2036	80	1.5	1.5	5
LBX2040	80	1.5	1.5	5
LBXR2540	100	1.75	1.75	6.25
LBX2540	100	1.75	1.75	6.25

\*\*All charge times are approximate. Actual charge time may vary.

### STORAGE RECOMMENDATIONS


1. The best storage place is one that is cool and dry away from direct sunlight and excess heat or cold.
2. Long storage will not harm the battery pack or charger.

### CHARGING PROCEDURE


- BLACK+DECKER chargers are designed to charge BLACK+DECKER battery packs: LCS36 (2 hrs), LCS436 (6 hrs).
1. Plug the charger into an appropriate outlet before inserting the battery pack.
  2. Insert the battery pack into the charger.
  3. The green LED will flash indicating that the battery is being charged.
  4. The completion of charge is indicated by the green LED remaining on continuously. The pack is fully charged and may be used at this time or left on the charger.

**Recharge discharged batteries as soon as possible after use or battery life may be greatly diminished.**

### CHARGER DIAGNOSTICS

 This charger is designed to detect certain problems that can arise with the battery packs or the power source. Problems are indicated by one LED flashing in different patterns.

#### BAD BATTERY

The charger can detect a weak or damaged battery. The red LED  flashes in the pattern indicated on the label. If you see this bad battery blink pattern, do not continue to charge the battery. Return it to a service center or a collection site for recycling.

#### HOT/COLD PACK DELAY

When the charger detects a battery that is excessively hot or excessively cold, it automatically starts a Hot/Cold Pack Delay, suspending charging until the battery has normalized. After this happens, the charger automatically switches to the Pack Charging mode. This feature ensures maximum battery life. The red LED flashes in the pattern indicated on the label when the hot / cold pack delay is detected.

#### LEAVING THE BATTERY IN THE CHARGER

The charger and battery pack can be left connected with the green LED glowing indefinitely. The charger will keep the battery pack fresh and fully charged.

#### IMPORTANT CHARGING NOTES

1. Longest life and best performance can be obtained if the battery pack is charged when the air temperature is between 60°F and 80°F (16° - 27°C). DO NOT charge the battery pack in an air temperature below +40°F (+4.5°C), or above +105°F (+40.5°C). This is important and will prevent serious damage to the battery pack.
2. The charger and battery pack may become warm to touch while charging. This is a normal condition, and does not indicate a problem. To facilitate the cooling of the battery pack after use, avoid placing the charger or battery pack in a warm environment such as in a metal shed, or an uninsulated trailer.
3. If the battery pack does not charge properly:
  - a. Check current at receptacle by plugging in a lamp or other appliance
  - b. Check to see if receptacle is connected to a light switch

which turns power off when you turn out the lights.

c. Move charger and battery pack to a location where the surrounding air temperature is approximately 60°F - 80°F (16° - 27°C).

d. If charging problems persist, take the tool, battery pack and charger to your local service center.

4. The battery pack should be recharged when it fails to produce sufficient power on jobs which were easily done previously. DO NOT CONTINUE to use under these conditions. Follow the charging procedure. You may also charge a partially used pack whenever you desire with no adverse affect on the battery pack.

5. Foreign materials of a conductive nature such as, but not limited to, steel wool, aluminum foil, or any buildup of metallic particles should be kept away from charger cavities. Always unplug the charger from the power supply when there is no battery pack in the cavity. Unplug charger before attempting to clean.

6. Do not freeze or immerse charger in water or any other liquid.

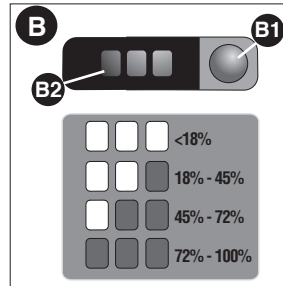
**⚠WARNING: Shock hazard.** Do not allow any liquid to get inside charger. *Never attempt to open the battery pack for any reason. If the plastic housing of the battery pack breaks or cracks, return to a service center for recycling.*

#### STATE OF CHARGE INDICATOR (FIGURE B)

The battery is equipped with a state of charge indicator. This can be used to display the current level of charge in the battery during use and during charging. It does not indicate tool functionality and is subject to variation based on product components, temperature and end-user application.

#### Checking state of charge during use:

- Press the state of charge indicator button (B1).
- The three LEDs (B2) will illuminate, indicating the percent of charge in the battery. See chart in figure B.
- If LED light does not illuminate, charge battery.



#### INSTALLING AND REMOVING THE BATTERY PACK

**⚠WARNING:** Make certain the lock-off button is engaged to prevent switch actuation before removing or installing battery.

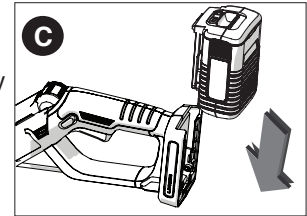
#### TO INSTALL BATTERY PACK:

Insert battery pack into tool until fully seated and an audible click is heard (figure C). Make sure battery pack is fully seated and fully latched into position.

#### TO REMOVE BATTERY

**PACK:** Depress the battery release button in the back of the battery pack and pull battery pack out of tool.

**⚠WARNING:** Before assembly, make sure that the tool is switched off and the battery has been removed.



#### ASSEMBLY & ADJUSTMENT

#### ASSEMBLY TOOLS REQUIRED (NOT SUPPLIED):

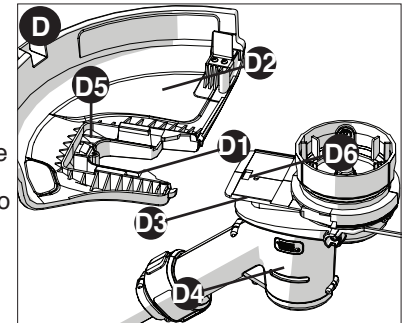
- Phillips Screwdriver

**⚠WARNING:** Remove the battery before attempting to attach any of the following components.

#### ATTACHING THE GUARD (FIGURES D AND E)

**⚠WARNING:** NEVER OPERATE TOOL WITHOUT GUARD FIRMLY IN PLACE. The guard must always be properly attached on the tool to protect the user.

- Remove the screw from the guard.
- Keeping the guard square to the trimmer head slide it fully into place until the retaining tab clicks into place (Ensure that the guide rails (D1) on



the guard (D2) are correctly aligned with the guide rails (D3) on the trimmer head (D4) (figure D). The locking tab (D5) should be snapped into the housing slot (D6).

- Secure the guard with the screw (E1) (figure E).

#### ATTACHING THE AUXILIARY HANDLE (FIGURES F AND G)

- Push the auxiliary handle (F1) onto the tube (F2).
- Slide the bolt (G1) through the holes in the auxiliary handle.
- Tighten the knob (G2) onto the bolt by turning it clockwise.

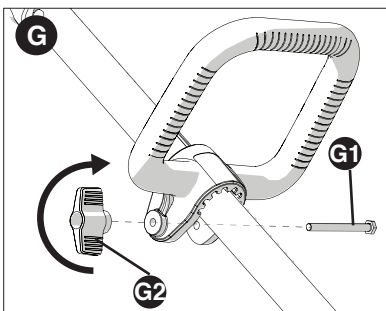
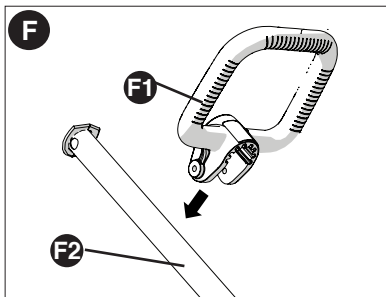
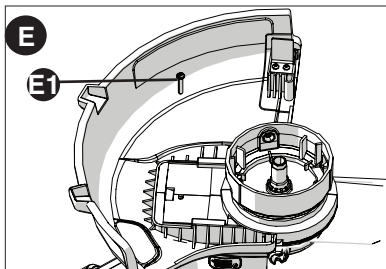
#### ADJUSTING THE POSITION OF THE AUXILIARY HANDLE (FIG. G)

The auxiliary handle can be adjusted to provide optimum balance and comfort.

- Loosen the knob on the bolt by turning it counter clockwise.
- Gently slide the auxiliary handle up or down the tube to the desired height.
- Tighten the knob onto the bolt by turning it clockwise.

#### ADJUSTING THE HEIGHT OF THE TOOL (FIGURE H)

**⚠ CAUTION:** Adjust the length of the trimmer to obtain proper working positions as



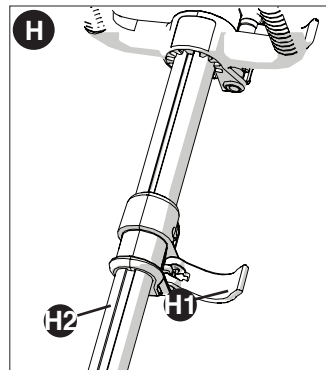
shown in figure N.

- This tool has a telescopic mechanism, allowing you to set it to a comfortable height.
- To adjust the height setting:
- Release the height adjust locking clamp (H1).
  - Gently pull the tube (H2) up or down to the desired height.
  - Close the height adjust locking clamp (H1).

#### RELEASING THE CUTTING LINE

In transit, the cutting line is taped to the spool housing.

- Remove the tape holding the cutting line to the spool housing.



## OPERATING INSTRUCTIONS

**⚠ WARNING:** Always use proper eye protection that conforms to ANSI Z87.1 (CAN/CSA Z94.3) while operating this power tool.

**⚠ WARNING:** Remove the battery before making any assembly, adjustments, or changing accessories. Such preventive safety measures reduce the risk of starting the trimmer accidentally.

**⚠ CAUTION:** Before you begin trimming, only use the appropriate type of cutting line.

**⚠ CAUTION:** Inspect area to be trimmed and remove any wire, cord, or string-like objects which could become entangled in the rotating line or spool. Be particularly careful to avoid any wire which might be bent outwardly into the path of the tool, such as barbs at the base of a chain link fence.

#### SETTING THE TOOL TO TRIMMING OR EDGING MODE (FIGURE I, J AND K)

- The tool can be used in trimming mode as shown in figure I or in



edging mode to trim overhanging grass along lawn edges and flower beds as shown in **figure K**.

### TRIMMING MODE

For trimming, the trimmer head should be in the position shown in **figure I**. If it is not:

- Remove the battery from the tool.
- Press and hold the head release button (I1).
- While holding the auxiliary handle, rotate the head clockwise.
- Release the head release button.
- Lift the edge guide (J1) into the closed position.

Note: The head will only rotate in one direction.

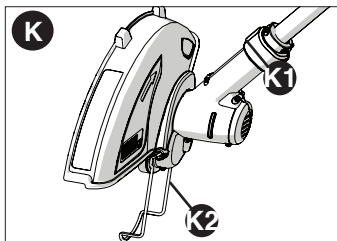
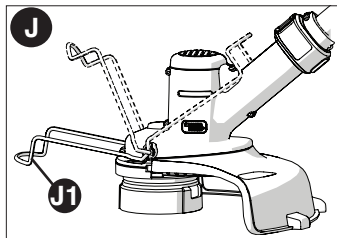
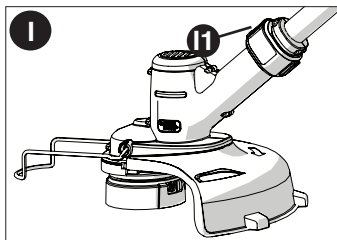
**CAUTION:** Wire edge guide should only be used when in the edging mode. Keep wire edge guide in the retracted position when in the trimming mode.

### EDGING MODE (FIGURE K)

**WARNING:** When being used as an Edger, stones, pieces of metal and other objects can be thrown out at high speed by the line. The trimmer and guard are designed to reduce the danger. However, **MAKE SURE** that other persons and pets are at least 100 feet (30m) away.

For edging, the trimmer head should be in the position shown in **figure K**. If it is not:

- Remove the battery from the tool.
- Press and hold the head release button (K1).
- While holding the auxiliary handle, rotate the head counterclockwise.
- Release the head release button.
- Drop the edge guide (K2) in to



the open position. Ensure that the edging guide is all the way down, an audible click will be heard.

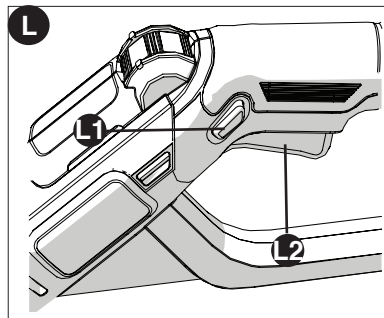
Note: The head will only rotate in one direction.

Note: The Auto Feed System may not operate correctly if edge guide is not used.

### SWITCHING ON AND OFF

- To switch the tool on, press in and hold the lock off button (L1) then squeeze the trigger lever (L2). Once the tool is running you may release the lock off button (L1).
- To switch the tool off, release the trigger lever.

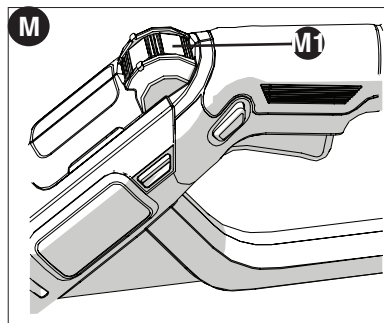
**WARNING:** Never attempt to lock the trigger lever in the on position.



### POWER COMMAND - MAX POWER / MAX RUNTIME

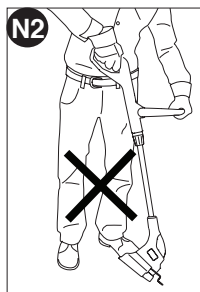
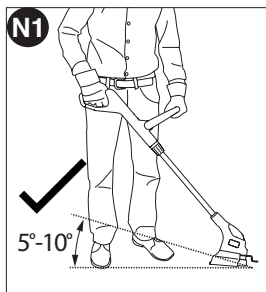
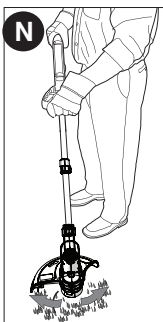
The max power / max runtime feature (M1) is located on the tool handle. It allows you to optimize the tools performance and boost the power as needed.

- To choose max power to tackle thick weeds, rotate dial to setting 6.
- To choose max runtime to increase battery life rotate dial to setting 1.
- For a combination of both, rotate dial to setting from 2 to 5.



## OPERATING THE TRIMMER

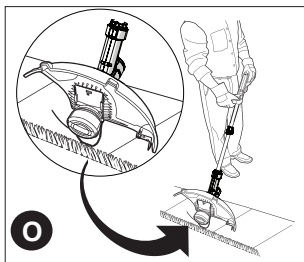
- With the unit on, angle unit and slowly swing the trimmer side to side as shown in **figure N**.
- Maintain a cutting angle of 5° to 10° as shown in **figure N1**. Do not exceed 10° (**figure N2**). Cut with the tip of the line. To keep distance from hard surfaces use edge guide (10). Pull the guide out until it snaps securely into place
- Maintain a minimum distance of **24 inches (609.6 mm)** between the guard and your feet as shown in **figure N3**. To achieve this distance adjust the overall height of the trimmer as shown in **figure H**.



## EDGING

Optimum cutting results are achieved on edges deeper than 2 inches (50 mm).

- Do not use the tool to create edges or trenches.
- Guide the tool as shown in **figure O**.
- To make a closer cut, slightly tilt the tool.



## HELPFUL CUTTING TIPS

- **Use the tip of the string to do the cutting;** do not force string head into uncut grass. Use edge guide along such things as fences, houses and flower beds for best practices.
- Wire and picket fences cause extra string wear, even breakage. Stone and brick walls, curbs, and wood may wear string rapidly.
- Do not allow spool cap to drag on ground or other surfaces.
- In long growth cut from the top down and do not exceed 12 inches (304.8 mm) high.
- Keep trimmer tilted toward the area being cut; this is the best cutting area.
- The trimmer cuts when passing the unit from the right to left. This will avoid throwing debris at the operator.
- Avoid trees and shrubs. Tree bark, wood moldings, siding, and fence posts can easily be damaged by the string.

## CUTTING LINE / LINE FEEDING

Your trimmer uses **.065 inch (1.65 mm) diameter, ROUND nylon line**. During use, the tips of the nylon lines will become frayed and worn and the special self feeding spool will automatically feed and trim a fresh length of line. **DO NOT BUMP** unit on ground in attempt to feed line or for any other purposes. Cutting line will wear faster and require more feeding if the cutting or edging is done along sidewalks or other abrasive surfaces or heavier weeds are being cut.

## REPLACEMENT ACCESSORIES

**⚠CAUTION:** Before you begin trimming, only use the appropriate type of cutting line.

Use BLACK+DECKER replacement spool Model No. AF-100. **USE ONLY .065 inch (1.65 mm) DIAMETER ROUND NYLON MONOFILAMENT LINE.** Do not use serrated or heavier gauge line, as they will overload the motor and cause overheating. Other replacement parts (guards, spool caps, etc.) are available through BLACK+DECKER service centers. To find your local service location call: **1-800-544-6986** or visit **www.blackanddecker.com**.

**⚠WARNING:** The use of any accessory not recommended by BLACK+DECKER for use with this tool could be hazardous.

## REPLACING THE SPOOL (FIGURES P, Q AND R)

- Remove battery from tool.
- Depress the tabs (P1) and remove the spool cap (P2) from the spool housing (P3) in the trimmer head (figure P).

• Replace spool with BLACK+DECKER model # AF-100.

- Grasp empty spool with one hand and spool housing with other hand and pull spool out.
- If lever (Q1) in base of housing becomes dislodged, replace in correct position before inserting new spool into housing.

• Remove any dirt and grass from the spool and housing.

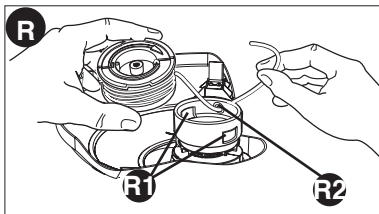
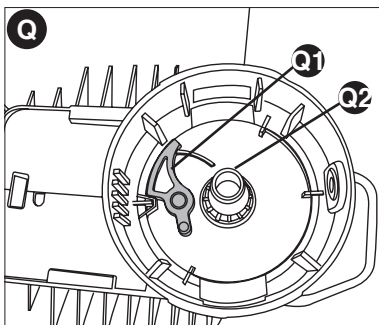
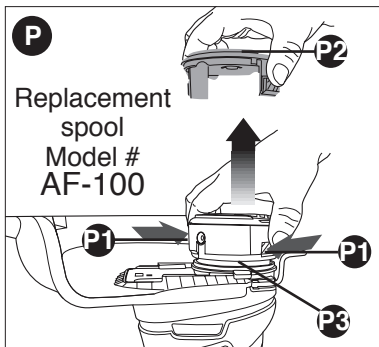
- Unfasten the end of the cutting line and guide the line into the eyelet (R2) figure R.

- Take the new spool and push it onto the boss (Q2) in the housing. Rotate the spool slightly until it is seated.

The line should protrude approximately 4-13/16 inches (122mm) from the housing.

- Align the tabs on the spool cap with the slots (R1) in the housing (figure R).
- Push the cap onto the housing until it snaps securely into place.

**⚠ CAUTION:** To avoid tool damage, if the cutting line



protrudes beyond the trimming blade, cut it off so that it just reaches the blade.

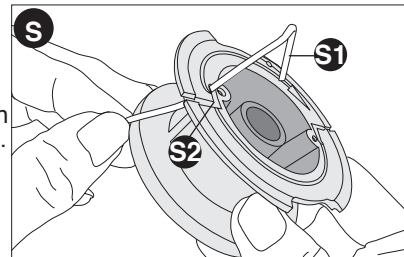
## REWINDING SPOOL

(USE ONLY .065 IN. ROUND DIAMETER LINE) (FIGURES S, T & U)

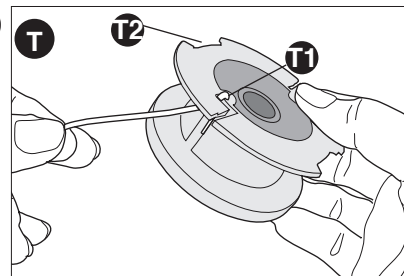
**NOTE:** Hand wound spools from bulk line are likely to become tangled more frequently than BLACK+DECKER factory wound spools. For best results, factory wound spools are recommended.

To rewind spool, follow the steps below:

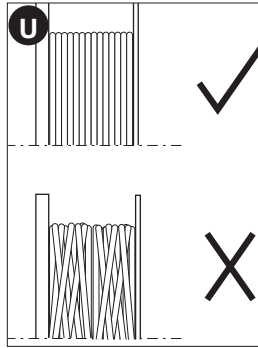
- Remove battery from tool.
- Remove the empty spool from the tool as described in **REPLACING THE SPOOL**.
- Make a fold at the end of the cutting line at about 3/4 inch (19mm)(S1). Feed the cutting line into one of the line holding slots (S2) as shown in figure S.



- Insert the 3/4 inch (19mm) end of the bulk line into the hole (T1) in the spool adjacent to the slot as shown in figure T. Make sure the line is pulled tight against the spool as shown in figure T.



- Wind the cutting line onto the spool in the direction of the arrow on the spool. Make sure to wind the line on neatly and in layers. Do not crisscross (**figure U**).
- When the wound cutting line reaches the recesses (**T2**), cut the line. (**figure T**).
- Fit the spool onto the tool as described in “**REPLACING THE SPOOL**”.



## MAINTENANCE

**⚠WARNING:** To avoid serious injury, remove the battery from the tool before performing any maintenance.

1. Keep the air intake slots clean to avoid overheating.
2. Your trimmer line can dry out over time. To keep your line in top condition, store spare pre-wound spools or bulk line in a plastic, sealable bag with a tablespoon of water.
3. Plastic parts may be cleaned by using a mild soap and a damp rag.
4. The line cutter on the edge of the guard can dull over time. It is recommended you periodically touch-up the sharpness of the blade with a file.

**IMPORTANT:** To assure product SAFETY and RELIABILITY, repairs, maintenance and adjustment should be performed by authorized service centers or other qualified service organizations, always using identical replacement parts.

### THE RBRC™ SEAL

The RBRC™ (Rechargeable Battery Recycling Corporation) Seal on the Li-Ion battery (or battery pack)



indicates that the costs to recycle the battery (or battery pack) at the end of its useful life have already been paid by **Black & Decker**. RBRC™ in cooperation with **BLACK+DECKER** and other battery users, has established programs in the United States to facilitate the collection of spent Li-Ion batteries. Help protect our environment and conserve natural resources by returning the spent Li-Ion battery to an authorized **BLACK+DECKER** service center or to your local retailer for recycling. You may also contact your local recycling center for information on where to drop off the spent battery. RBRC™ is a registered trademark of the *Rechargeable Battery Recycling Corporation*.

This device complies with part 15 of the FCC rules. Operation is subject to the following two conditions: (1) This device may not cause harmful interference, and (2) this device must accept any interference received, including interference that may cause undesired operation.

**NOTE:** This equipment has been tested and found to comply with the limits for a Class B digital device, pursuant to Part 15 of the FCC Rules. These limits are designed to provide reasonable protection against harmful interference in a residential installation. This equipment generates, uses and can radiate radio frequency energy and, if not installed and used in accordance with the instructions, may cause harmful interference to radio communications. However, there is no guarantee that interference will not occur in a particular installation.

If this equipment does cause harmful interference to radio or television reception, which can be determined by turning the equipment off and on, the user is encouraged to try to correct the interference by one or more of the following measures:

- Reorient or relocate the receiving antenna.
- Increase the separation between the equipment and receiver.
- Connect the equipment into an outlet on a circuit different from that to which the receiver is connected.
- Consult the dealer or an experienced radio/TV technician for help.

Changes or modifications to this unit not expressly approved by the party responsible for compliance could void the user's authority to operate the equipment. This Class B digital apparatus complies with Canadian ICES-003.

## SERVICE INFORMATION

All BLACK+DECKER Service Centers are staffed with trained personnel to provide customers with efficient and reliable power tool service. Whether you need technical advice, repair, or genuine factory replacement parts, contact the BLACK+DECKER location nearest you. To find your local service location, call: **1-800-544-6986** or visit **[www.blackanddecker.com](http://www.blackanddecker.com)**

## TROUBLE SHOOTING GUIDE

### PROBLEM

Tool runs slowly.

### SOLUTION

- Remove battery from tool.
- Check that the spool housing can rotate freely. Carefully clean it if necessary.
- Check that the cutting line does not protrude more than approximately 4-13/16 inches (122mm) from the spool. If it does, cut it off so that it just reaches the line trimming blade.

Automatic line feed does not feed more line.

- More line is fed when the line shortens to approximately 3 inches (76.2mm). To determine if the line is not feeding, let line wear past this point.

### PROBLEM

Automatic line feed does not feed more line.

### SOLUTION

- Keep the tabs depressed and remove the spool from the spool housing in the trimmer head.
- Ensure that the line is not crisscrossed on the spool as detailed in **figure U**. If it is, unwind the cutting line, then wind it back on the spool neatly so that the lines do not cross.
- Inspect tracks at the bottom of spool for damage. If damaged, replace spool.
- Read the code on the back of spool. If it reads "PA66" call customer service for a replacement. If it reads "ABS" this is not the issue.
- Pull the cutting line until it protrudes approximately 4-13/16 inches (122mm) from the spool. If insufficient cutting line is left on the spool, install a new spool of cutting line.
- Align the tabs on the spool cap with the cut outs in the housing.
- Push the spool cap onto the housing until it snaps securely into place.
- If the cutting line protrudes beyond the trimming blade, cut it off so that it just reaches the blade. If the automatic line feed still does not work or the spool is jammed, try the following suggestions:
  - Carefully clean the spool and housing.
  - Remove the spool and check if the lever in the spool housing can move freely.

## TROUBLE SHOOTING CONTINUED

### PROBLEM

### SOLUTION

	<ul style="list-style-type: none"> <li>Remove the spool and unwind the cutting line, then wind it on neatly again. Replace the spool into the housing.</li> </ul>
Overfeeding	<ul style="list-style-type: none"> <li>Ensure you are cutting with the tip of the line (7 inches (177.8mm) from the spool). Use the edge guide if needed to ensure proper space is maintained.</li> <li>Ensure you are not exceeding a 10° angle as shown in <b>figure N1</b>.</li> </ul>
Line unravels when cap or spool is removed.	<ul style="list-style-type: none"> <li>Make sure to park the lines in holding slots (S2) <b>figure S</b> before removing.</li> </ul>
Battery won't charge.	<ul style="list-style-type: none"> <li>Insert battery into charger until green LED appears. Charge up to 8 hours if battery totally drained.</li> <li>Plug charger into a working outlet. Refer to "Important Charging Notes" for more details.</li> <li>Check current at receptacle by plugging in a lamp or other appliance.</li> <li>Check to see if receptacle is connected to a light switch which turns power off when you turn out the lights.</li> <li>Move charger and tool to a surrounding air temperature of above 40 degree F (4.5°C) or below 105 degree F (+40.5°C).</li> </ul>

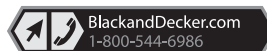
## THREE-YEAR LIMITED WARRANTY

Black & Decker (U.S.) Inc. warrants this product to be free from defects in material or workmanship for a period of three (3) years following the date of purchase, provided that the product is used in a home environment. This limited warranty does not cover failures due to abuse, accidental damage or when repairs have been made or attempted by anyone other than BLACK+DECKER and its Authorized Service Centers. A defective product meeting the warranty conditions set forth herein will be replaced or repaired at no charge in either of two ways:

The first, which will result in exchanges only, is to return the product to the retailer from whom it was purchased (provided that the store is a participating retailer). Returns should be made within the time period of the retailer's policy for exchanges. Proof of purchase may be required. Please check with the retailer for its specific return policy regarding time limits for returns or exchanges. The second option is to take or send the product (prepaid) to a BLACK+DECKER owned or authorized Service Center for repair or replacement at BLACK+DECKER's option. Proof of purchase may be required. BLACK+DECKER owned and authorized service centers are listed online at [www.blackanddecker.com](http://www.blackanddecker.com).

This warranty does not apply to accessories. This warranty gives you specific legal rights and you may have other rights which vary from state to state. Should you have any questions, contact the manager of your nearest BLACK+DECKER Service Center. This product is not intended for commercial use, and accordingly, such commercial use of this product will void this warranty. All other guarantees, express or implied, are hereby disclaimed.

**LATIN AMERICA:** This warranty does not apply to products sold in Latin America. For products sold in Latin America, check country specific warranty information contained in the packaging, call the local company or see the website for such information.



Imported by  
Black & Decker (U.S.) Inc.,  
701 E. Joppa Rd.  
Towson, MD 21286 U.S.A.

# BLACK+ DECKER™

**TAILLE-BORDURE / COUPE-BORDURE  
AVEC PILE AU LITHIUM DE 40 V MAX\***

**MANUEL D'INSTRUCTIONS  
NUMÉRO DE MODÈLE  
LST136**

- Utiliser uniquement avec un bloc-piles de 36 V ou de 40 V max\* de série LB de B+D.

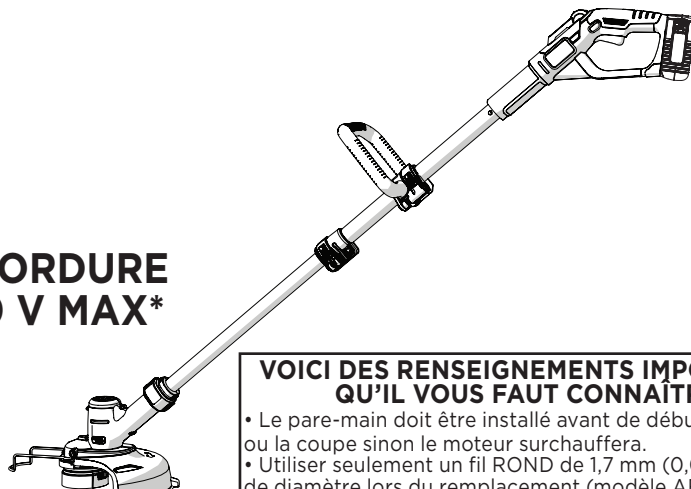
**MERCI D'AVOIR CHOISI BLACK+DECKER !**

**À LIRE AVANT DE RETOURNER CE PRODUIT POUR QUELQUE RAISON QUE CE SOIT:**

Si des questions ou des problèmes surgissent après l'achat d'un produit BLACK+DECKER, consulter le site Web [www.blackanddecker.com/instantanswers](http://www.blackanddecker.com/instantanswers) pour obtenir des réponses instantanément 24 heures par jour. Si la réponse est introuvable ou en l'absence d'accès à l'Internet, composer le 1 800 544-6986 de 8 h à 17 h HNE, du lundi au vendredi, pour parler avec un agent. Prière d'avoir le numéro de catalogue sous la main lors de l'appel. Pour l'achat d'un filtre de rechange composer le 1-888-678-7278

**CONSERVER CE MODE D'EMPLOI POUR UN USAGE ULTÉRIEUR.**

\*La tension initiale maximale du bloc-piles (mesurée sans charge de travail) est de 40 volts. La tension nominale est de 36.



**VOICI DES RENSEIGNEMENTS IMPORTANTS  
QU'IL VOUS FAUT CONNAÎTRE :**

- Le pare-main doit être installé avant de débiter le taillage ou la coupe sinon le moteur surchauffera.
- Utiliser seulement un fil ROND de 1,7 mm (0,065 po) de diamètre lors du remplacement (modèle AF-100 de B+D recommandé), sinon l'appareil ne fonctionnera pas correctement.
- Éviter de frapper la tête d'alimentation contre le sol. En effet, cela endommagera le mécanisme d'alimentation.

**Consulter le site Web [www.BlackandDecker.com/NewOwner](http://www.BlackandDecker.com/NewOwner) pour enregistrer votre nouveau produit.**

## LIGNES DIRECTRICES EN MATIÈRE DE SÉCURITÉ - DÉFINITIONS

Il est important que vous lisiez et compreniez ce mode d'emploi. Les informations qu'il contient concernent VOTRE SÉCURITÉ et visent à ÉVITER TOUT PROBLÈME. Les symboles ci-dessous servent à vous aider à reconnaître cette information.

**⚠ DANGER** : Indique une situation dangereuse imminente qui, si elle n'est pas évitée, causera la mort ou des graves blessures.

**⚠ AVERTISSEMENT** : Indique une situation potentiellement dangereuse qui, si elle n'est pas évitée, pourrait causer la mort ou de graves blessures.

**⚠ MISE EN GARDE** : Indique une situation potentiellement dangereuse qui, si elle n'est pas évitée, pourrait causer des blessures mineures ou modérées.

**MISE EN GARDE** : Utilisé sans le symbole d'alerte à la sécurité, indique une situation potentiellement dangereuse qui, si elle n'est pas évitée, peut résulter en des dommages à la propriété.

## AVERTISSEMENTS DE SÉCURITÉ ET DIRECTIVES DE PREMIÈRE IMPORTANCE

**⚠ AVERTISSEMENT** : Lorsque des outils de jardinage électriques sont utilisés, des précautions de base en matière de sécurité doivent toujours être suivies afin de réduire le risque d'incendie, de choc électrique et de blessure corporelle, notamment les suivantes.

### LIRE TOUTES LES DIRECTIVES

- **TOUJOURS PORTER UNE PROTECTION OCULAIRE** - Porter des lunettes ou des lunettes protectrices en tout temps lorsque cet outil est branché.
- **DISPOSITIF DE PROTECTION** – Ne pas utiliser cet outil sans les dispositifs de protection en place.
- **S'HABILLER DE MANIÈRE APPROPRIÉE** - Ne pas porter de vêtements amples ni de bijoux. Ils peuvent s'enchevêtrer dans

les pièces mobiles. Des gants en caoutchouc et des chaussures adéquates à semelles en caoutchouc sont recommandés lors de travaux à l'extérieur. Ne pas utiliser l'outil avec les pieds nus ou des sandales ouvertes. Porter des pantalons longs pour protéger vos jambes. Se couvrir les cheveux s'ils sont longs.

- **FIL EN NYLON** - Tenir le visage, les mains et pieds loin du fil de nylon rotatif en tout temps.
- **LE FIL EN ROTATION EXÉCUTE UNE COUPE** - Être attentif lors de taillage autour de grillages et de plates-bandes.
- **TENIR ÉLOIGNÉ TOUS LES SPECTATEURS** - À une distance sécuritaire de l'aire de travail, particulièrement les enfants.
- **AVERTISSEMENT IMPORTANT** : lorsque l'outil est utilisé comme coupe bordure, des pierres, morceaux de métal et autres objets peuvent être projetés à haute vitesse par le fil. L'outil et le dispositif de protection sont conçus pour réduire le risque. Toutefois, les précautions spéciales suivantes doivent être prises
- **S'ASSURER** que toute personne et animaux sont éloignés d'au moins 30 m (100 pi).
- **POUR RÉDUIRE LE RISQUE** de blessures par ricochet, travaillez en vous éloignant de tout objet solide tel un mur, des marches, de grosses pierres, d'arbres, etc. Soyez très prudent lors de travaux près d'objets solides et, le cas échéant, taillez ou coupez manuellement.
- **ÉVITER LES DÉMARRAGES ACCIDENTELS** - Ne pas transporter d'outil branché avec le doigt sur la détente.
- **NE PAS FORCER L'OUTIL** - à tourner à une vitesse plus rapide que celle pour laquelle il est capable de couper efficacement.
- **UTILISER LE BON OUTIL** - Ne pas utiliser cet outil pour tout autre type de travail sauf pour celui pour lequel il est prévu.
- **NE PAS TROP TENDRE LES BRAS** - Conserver son équilibre en tout temps.
- **OUTIL ENDOMMAGÉ** - Si vous frappez ou devenez enchevêtré dans un objet, arrêtez immédiatement l'outil, débranchez-le puis inspectez pour toute trace de dommages qui devront être réparés avant une autre utilisation. Ne pas utiliser avec un moyeu ou une bobine brisés.
- **DÉBRANCHER L'OUTIL** – Lorsque inactif, lors de remplacement de fil ou avant un nettoyage.
- **ÉVITER LES CONDITIONS ENVIRONNEMENTALES**



**DANGEREUSES** - Ne pas utiliser d'outils électriques dans des lieux humides ou mouillés. Suivre toutes les directives de ce mode d'emploi pour une utilisation adéquate de votre outil. Ne pas utiliser l'outil sous la pluie.

• **NE PAS UTILISER** d'outils électriques portatifs dans un milieu gazeux ou déflagrant. Les moteurs de ces outils produisent normalement des étincelles qui pourraient enflammer des vapeurs.

• **RANGER LES OUTILS INUTILISÉS À L'INTÉRIEUR** – Lorsqu'ils ne sont pas utilisés, les outils doivent être rangés à l'intérieur, dans un endroit sec et verrouillé, hors de portée des enfants.

• **ÊTRE VIGILANT** – Ne pas utiliser l'appareil en cas de fatigue ou de maladie ou sous l'influence d'alcool, de drogues ou de médicaments.

• **PRENDRE SOIN DES OUTILS ÉLECTRIQUES** – Suivre les directives figurant à la section Entretien. Maintenir les poignées sèches, propres et exemptes d'huile et de graisse.

• **VÉRIFIER LES PIÈCES ENDOMMAGÉES** – Avant toute utilisation ultérieure de l'appareil électrique, un dispositif de protection endommagé, ou toute autre pièce endommagée, doit être examiné soigneusement afin d'assurer un fonctionnement adéquat selon sa fonction prévue. Vérifier l'alignement des pièces mobiles, la présence de grippage des pièces mobiles, de rupture

• **NE PAS immerger l'outil dans l'eau ou l'arroser au boyau.**

ÉVITER la pénétration de tout liquide dans l'outil.

• **NE PAS ranger l'outil sur des engrais ou des produits chimiques** ou près de ceux-ci.

• **NE PAS nettoyer avec un nettoyeur à pression.**

• Maintenir les pare-mains en place et en état de fonctionnement.

• Tenir les mains et les pieds éloignés de la zone de coupe.

**AVERTISSEMENT** : Ne pas utiliser l'outil si la détente ne fonctionne pas. Tout outil qui ne peut être réglé par la détente est dangereux et doit être réparé.

## CONSERVER CES MESURES.

## SYMBOLES

L'étiquette apposée sur votre outil peut comprendre les symboles suivants.

V..... volts	A ..... ampères
Hz..... hertz	W ..... watts
min ..... minutes	~ ..... courant alternatif
— — — ..... courant continue	non ..... régime à vide
☐ ..... Construction classe II	⊕ ..... borne de terre
⚠ ..... symbole d'alerte à la sécurité	.../min or rpm...révolutions ou alternance par minute
📖 ..... Lisez le manuel d'instructions	
👤 ..... Utiliser une protection respiratoire adéquate avant utilisation	
👁️ ..... Utiliser une protection oculaire appropriée	
👂 ..... Utiliser une protection auditive adéquate	

## DIRECTIVES DE SÉCURITÉ IMPORTANTES POUR LES CHARGEURS DE PILES

Ce mode d'emploi comprend d'importantes directives de sécurité pour les chargeurs de piles.

• Avant d'utiliser le chargeur, lire toutes les directives et tous les avertissements figurant sur le chargeur, le bloc-piles et le produit utilisé avec le bloc-piles.

**AVERTISSEMENT** : **risque de choc électrique.** Éviter la pénétration de tout liquide dans le chargeur.

**MISE EN GARDE** : **risque de brûlure.** Pour réduire le risque de blessures, charger seulement des bloc-piles **BLACK+DECKER**. D'autres types de piles peuvent exploser et provoquer des blessures corporelles et des dommages.

**MISE EN GARDE** : dans certaines

circonstances, lorsque le chargeur est branché au bloc d'alimentation, les contacts de chargement du chargeur peuvent être court-circuités par des corps étrangers conducteurs tels que, mais sans s'y limiter, la laine d'acier, le papier d'aluminium, ou toute accumulation de particules métalliques. Ils doivent être maintenus à distance des ouvertures du chargeur. Débrancher systématiquement celui-ci si aucun bloc-piles n'y est inséré. Débrancher le chargeur avant tout nettoyage.

- Le chargeur fourni avec ce produit est correctement branché s'il est orienté en position verticale ou au plancher.
- **NE PAS charger le bloc-piles au moyen de tout autre chargeur que ceux qui sont mentionnés dans le présent mode d'emploi. Le chargeur et le bloc-piles sont spécialement conçus pour être utilisés ensemble.**
- Ces chargeurs n'ont pas été conçus pour être utilisés à d'autres fins que celles de charger les piles rechargeables BLACK+DECKER. Toute autre utilisation risque de provoquer un incendie, un choc électrique ou une électrocution.
- Pour la sécurité de l'utilisateur, utiliser une rallonge de calibre adéquat (AWG, American Wire Gauge [calibrage américain normalisé des fils]). Plus le numéro de calibre de fil est petit et plus sa capacité est grande, par exemple un calibre 16 a plus de capacité qu'un calibre 18. Si plus d'une rallonge est utilisée pour obtenir la longueur totale, s'assurer que chaque rallonge présente au moins le calibre de fil minimum.

#### Calibre de fil minimum recommandé pour les rallonges

Calibre minimal des cordons de rallonge					
Tension		Longueur totale du cordon en pieds			
120V		0-25 (0-7,6m)	26-50 (7,6-15,2m)	51-100 (15,2-30,4m)	101-150 (30,4-45,7m)
240V		0-50 (0-15,2m)	51-100 (15,2-30,4m)	101-200 (30,4-60,9m)	201-300 (60,9-91,4m)
Intensité (A)		Calibre moyen des fils (AWG)			
Au moins	Au plus				
0	- 6	18	16	16	14
6	- 10	18	16	14	12
10	- 12	16	16	14	12
12	- 16	14	12	Non recommandé	

- Protéger le chargeur de la pluie et de la neige.
- Tirer sur la fiche plutôt que sur le cordon pour débrancher le chargeur. *Cela permet de réduire le risque d'endommager la fiche ou le cordon d'alimentation.*
- S'assurer que le cordon est situé en lieu sûr de manière à ce que personne ne marche ni ne trébuche dessus ou à ce qu'il ne soit pas endommagé ni soumis à une tension.
- Ne pas utiliser de rallonge à moins que cela ne soit absolument nécessaire. *L'utilisation d'une rallonge inadéquate risque d'entraîner un incendie, un choc électrique ou une électrocution.*
- Ne pas mettre d'objet sur le chargeur ni mettre ce dernier sur une surface molle pouvant obstruer les fentes de ventilation et ainsi provoquer une chaleur interne excessive. *Eloigner le chargeur de toute source de chaleur. La ventilation du chargeur se fait par les fentes pratiquées dans les parties supérieures et latérales du boîtier.*
- Ne pas monter le chargeur sur un mur ni le fixer de manière permanente sur une surface quelconque. *Le chargeur est destiné à une utilisation sur une surface plane et stable (c.-à-d. un dessus de table).*
- Ne pas faire fonctionner le chargeur si la fiche ou le cordon est endommagé; les remplacer immédiatement.
- Ne jamais se servir d'un chargeur qui a subi un choc violent, qui est tombé ou qui est endommagé. *Le faire vérifier dans un centre de réparation autorisé.*
- Ne pas démonter le chargeur; l'apporter à un centre de réparation autorisé lorsqu'un entretien ou une réparation est requise. *Le remontage non conforme du chargeur comporte des risques de choc électrique, d'électrocution ou d'incendie.*
- Débrancher le chargeur avant de le nettoyer. Cela réduira le risque de choc électrique. *Le risque ne sera pas éliminé en enlevant simplement le bloc-piles.*
- **NE JAMAIS tenter de relier deux chargeurs ensemble.**
- Le chargeur est conçu pour être alimenté en courant domestique standard (120 V). Ne pas utiliser une tension supérieure pour le chargeur.

#### CONSERVER CES MESURES

## DIRECTIVES DE SÉCURITÉ IMPORTANTES POUR LES BLOCS-PILES

**⚠️AVERTISSEMENT** : pour un fonctionnement sûr, lire le présent mode d'emploi et les manuels fournis avec l'outil avant d'utiliser le chargeur.

Le bloc-piles n'est pas complètement chargé à la sortie de l'emballage. Avant d'utiliser le bloc-piles et le chargeur, lire les directives de sécurité ci-après. Respecter ensuite les consignes de chargement décrites.

### LIRE TOUTES LES DIRECTIVES.

- **Ne pas incinérer le bloc-piles, même s'il est très endommagé ou complètement usé, car il peut exploser au contact de flammes.** Des vapeurs et des matières toxiques sont dégagées lorsque les blocs-piles au LI-ION sont incinérés.
  - **Ne pas charger ou utiliser un bloc-piles dans un milieu déflagrant, en présence de liquides, de gaz ou de poussière inflammables.** Insérer ou retirer un bloc-piles du chargeur peut enflammer de la poussière ou des émanations.
  - **Si le contenu de la pile entre en contact avec la peau, laver immédiatement la zone touchée au savon doux et à l'eau.** Si le liquide de la pile entre en contact avec les yeux, rincer l'oeil ouvert à l'eau pendant 15 minutes ou jusqu'à ce que l'irritation cesse. Si des soins médicaux sont nécessaires, l'électrolyte des piles au LI-ION est composé d'un mélange de carbonates organiques liquides et de sels de lithium.
  - **Le contenu des cellules de pile ouvertes peut provoquer une irritation respiratoire.** Exposer la personne à de l'air frais. Si les symptômes persistent, obtenir des soins médicaux.
- ⚠️AVERTISSEMENT** : risque de brûlure. Le liquide du bloc-piles peut s'enflammer s'il est exposé à des étincelles ou à une flamme.
- **Le chargeur fourni avec ce produit est correctement branché s'il est orienté en position verticale ou au plancher.**
  - **Charger les blocs-piles uniquement au moyen de chargeurs BLACK+DECKER.**

- **NE PAS éclabousser le bloc-piles ou l'immerger dans l'eau ou tout autre liquide.** Cela peut entraîner une défaillance prématurée de l'élément.
- **Ne pas ranger ni utiliser l'outil et le bloc-piles dans un endroit où la température peut atteindre ou dépasser les 40 °C (105 °F) (comme dans les remises extérieures ou les bâtiments métalliques en été).**

**⚠️AVERTISSEMENT** : ne jamais ouvrir le bloc-piles pour quelque raison que ce soit. Si le boîtier du bloc-piles est fissuré ou endommagé, ne pas l'insérer dans un chargeur. Ne pas écraser, faire tomber ou endommager le bloc-piles. Ne pas utiliser un bloc-piles ou un chargeur qui a reçu un choc violent, qui est tombé, a été écrasé ou est endommagé de quelque manière que ce soit (p. ex. percé par un clou, frappé d'un coup de marteau, piétiné). Les blocs-piles endommagés doivent être envoyés au centre de réparation pour être recyclés.

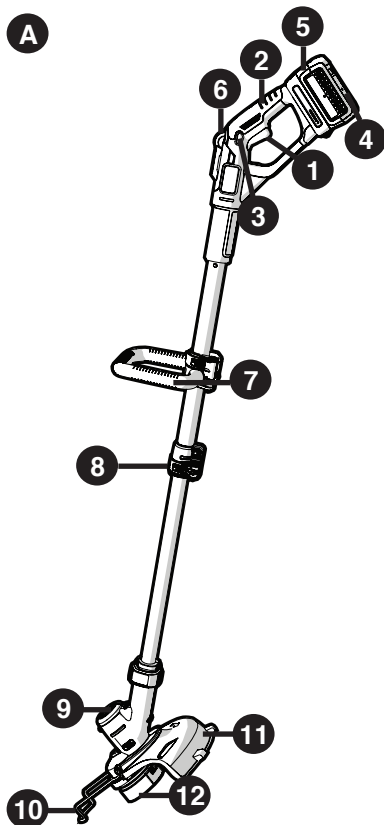
**⚠️AVERTISSEMENT** : risque d'incendie. Ne pas ranger ou transporter les piles de manière à ce que des objets métalliques puissent entrer en contact avec les bornes exposées des piles. Par exemple, ne pas mettre un bloc-piles dans un tablier, une poche, une boîte à outils, une boîte de nécessaire de produit ou un tiroir contenant des objets tels que des clous, des vis ou des clés, car tout contact accidentel entre les bornes à découvert et un objet métallique conducteur comme une clé, une pièce de monnaie, un outil à main, etc. risque de provoquer un incendie. La Hazardous Material Regulations (réglementation sur les produits dangereux) du département américain des transports interdit en fait le transport des blocs-piles pour le commerce et dans les avions (c.-à-d. dans des valises et les bagages à main) À MOINS qu'ils ne soient bien protégés contre les courts-circuits. Pour le transport de piles individuelles, on doit donc s'assurer que les bornes sont protégées et bien isolées contre toute matière pouvant entrer en contact avec elles et provoquer un court-circuit. REMARQUE : il ne faut pas laisser de piles au LI-ION dans les bagages enregistrés.

### RECOMMANDATIONS EN MATIÈRE DE RANGEMENT

1. Le meilleur endroit de rangement est celui qui est frais et sec, loin de toute lumière directe du soleil et protégé d'une température extrême (chaleur ou froid).
2. Un entreposage prolongé ne nuira pas au bloc-piles ou au chargeur.

## COMPOSANTS

1. Interrupteur marche/arrêt
2. Poignée
3. Bouton de verrouillage
4. Bloc-piles
5. Indicateur de charge
6. Contrôle de puissance
7. Poignée auxiliaire
8. Tendeur pour régler la hauteur
9. Tête de coupe
10. Guide de coupe
11. Pare-main
12. Boîtier de la bobine



## BLACK+DECKER Systèmes batteries et chargeur

Chargeurs/Durée de charge\*\* (Minutes) (0% - 100% charger)

Bloc-piles 40V MAX*	Heures Watts	40V MAX* Chargeurs		
		LCS36	LCS40	LCS436
LBX36	47	1	1	3.25
LBXR36	60	1.25	1.25	3.75
LBX1540	60	1.25	1.25	3.75
LBXR2036	80	1.5	1.5	5
LBX2040	80	1.5	1.5	5
LBXR2540	100	1.75	1.75	6.25
LBX2540	100	1.75	1.75	6.25

\*\*Les durées de charge sont approximatives; la durée de charge réelle peut varier.

## PROCÉDURE DE CHARGE

Les chargeurs BLACK+DECKER sont conçus pour charger les blocs-piles BLACK+DECKER: LCS36 (2 heures), LCS436 (6 heures).

1. Brancher le chargeur dans une prise appropriée avant d'insérer le bloc-piles.

2. Insérer le bloc-piles dans le chargeur.

3. Le voyant DEL vert clignotera indiquant ainsi que la pile est en cours de charge.

4. La fin de la charge est indiquée par le voyant DEL vert qui demeure allumé. Le bloc-piles est chargé à plein et peut être utilisé ou laissé sur le chargeur.


**Recharger les piles épuisées aussitôt que possible après leur utilisation pour prolonger leur durée de vie.**

## FONCTIONS DE DIAGNOSTIC DU CHARGEUR


Ce chargeur est conçu pour détecter certains problèmes pouvant

être associés au bloc-piles ou à la source d'alimentation. Le type de clignotement de la DEL indique les problèmes.

## PILE EN MAUVAIS ÉTAT

 Le chargeur est en mesure de détecter une pile faible ou endommagée. Le voyant DEL rouge clignote selon la séquence indiquée sur l'étiquette. Si la séquence code correspondant à une pile en mauvais état est en clignotement, cesser de recharger la pile. Retourner la pile à un centre de réparation ou à un site de cueillette pour le recyclage.

## FONCTION DE SUSPENSION DU BLOC-PILES CHAUD/FROID

 Lorsque le chargeur détecte qu'une pile est excessivement chaude ou froide, il commence automatiquement la suspension du bloc-piles chaud/froid, la charge est ainsi interrompue jusqu'à ce que l'état de la pile redevienne normal. Une fois la température revenue à la normale, le chargeur passe automatiquement au mode de recharge du bloc-piles. Cette fonction assure une durée de vie maximale des piles. La DEL rouge clignote de la manière indiquée sur l'étiquette lorsque la suspension du bloc-piles chaud/froid est détectée.

## PILE LAISSÉE DANS LE CHARGEUR

Le chargeur et le bloc-piles peuvent être laissés branchés, le voyant DEL vert demeurant allumé. Le chargeur maintiendra le bloc-piles en bon état et complètement chargé.

## REMARQUES IMPORTANTES SUR LE CHARGEMENT

1. Pour augmenter la durée de vie du bloc-piles et optimiser son rendement, le charger à une température située entre 16 et 27 °C (60 et 80 °F). NE PAS charger le bloc-piles à des températures inférieures à 4,5 °C (40 °F) ou supérieures à 40,5 °C (105 °F). Ces consignes sont importantes et permettent d'éviter d'endommager gravement le bloc-piles.
2. Le chargeur et le bloc-piles peuvent devenir chauds au toucher pendant la recharge. Il s'agit d'un état normal et cela n'indique pas un problème. Pour faciliter le refroidissement du bloc-piles après son utilisation, éviter de mettre le chargeur ou le bloc-piles dans un endroit chaud comme dans une remise métallique ou une remorque non isolée.
3. Si le bloc-piles ne se charge pas adéquatement, on doit :
  - a. Vérifier le courant à la prise en branchant une lampe ou un autre appareil électrique.
  - b. Vérifier si la prise est reliée à un interrupteur d'éclairage qui coupe

- c. Déplacer le chargeur et le bloc-piles à un endroit où la température ambiante est entre 16 °C et 27 °C (60 °F et 80 °F).
  - d. Si le problème persiste, apporter ou envoyer l'outil, le bloc-piles et le chargeur au centre de réparation de votre région.
4. Le bloc-piles doit être rechargé lorsqu'il n'arrive pas à produire suffisamment de puissance pour des travaux qui étaient facilement réalisés auparavant. NE PAS CONTINUER à utiliser le bloc-piles dans ces conditions. Suivre les procédures de charge. On peut également recharger à tout moment un bloc-piles partiellement déchargé sans affecter sa longévité.
  5. Tout corps étranger conducteur, tel que notamment la laine d'acier, le papier d'aluminium ou toute accumulation de particules métalliques, doit être maintenu à distance des ouvertures du chargeur. Débrancher systématiquement celui-ci si aucun bloc-piles n'y est inséré. Débrancher le chargeur avant tout nettoyage.
  6. Ne pas congeler le chargeur, l'immerger dans l'eau ou dans tout autre liquide.

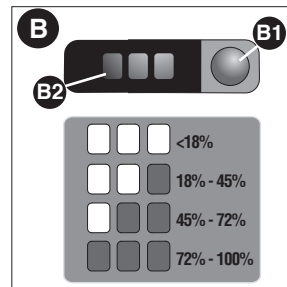
**⚠ AVERTISSEMENT : Risque de choc électrique.** Éviter la pénétration de tout liquide dans le chargeur. Ne jamais tenter d'ouvrir le bloc-piles pour quelque raison que ce soit. Si le boîtier en plastique du bloc-piles est brisé ou fissuré, le retourner à un centre de réparation pour qu'il soit recyclé. *return to a service center for recycling.*

## INDICATEUR DE L'ÉTAT DE CHARGE (FIGURE B)

Le bloc-piles est pourvu d'un indicateur d'état de charge. Cet indicateur peut servir à afficher le niveau actuel de charge d'un bloc-piles durant l'utilisation et durant la charge. Il ne donne aucune indication quant au fonctionnement de l'outil. Son propre fonctionnement pourra aussi varier en fonction des composants produit, de la température et de l'application d'utilisation.

### Vérification de l'état de charge durant l'utilisation :

- Enfoncer le bouton de l'indicateur d'état de charge (B1).
- Les quatre voyants DEL (B2) s'allumeront pour indiquer le pourcentage de charge du bloc-piles.



Consulter le tableau à la figure B.

- Si le voyant à DEL ne s'allume pas, charger le bloc-piles.

## Insertion et retrait du bloc-piles

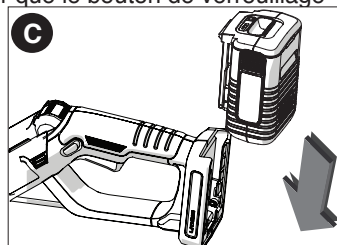
**⚠AVERTISSEMENT** : S'assurer que le bouton de verrouillage est bien engagé pour empêcher l'utilisation de la détente avant la pose ou le retrait de la pile.

### INSTALLATION DU BLOC-PILES :

Insérer le bloc-piles dans l'outil de manière à bien l'enfoncer et à entendre un déclic (figure C). S'assurer que le bloc-piles est bien logé et enclenché.

### RÉTRAIT DU BLOC-PILES

: Enfoncer le bouton de dégagement du bloc-piles situé au dos du bloc-piles, puis retirer le bloc-piles de l'outil.



## MONTAGE ET RÉGLAGE

**⚠AVERTISSEMENT** : Avant le montage, s'assurer que l'outil est éteint et que le bloc-piles a été retiré.

### OUTILS REQUIS POUR L'ASSEMBLAGE (NON FOURNIS) :

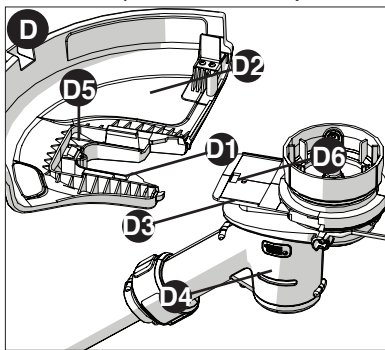
- Tournevis cruciforme

**⚠AVERTISSEMENT** :

Retirer le bloc-piles avant d'essayer de fixer l'un des composants suivants.

### FIXATION DU PARE-MAIN (FIGURES D ET E)

**⚠AVERTISSEMENT** : NE JAMAIS UTILISER L'OUTIL SANS LE PARE-MAIN SOLIDEMENT FIXÉ. Le pare-main doit toujours être attaché correctement à l'outil pour protéger l'utilisateur.



- Retirer la vis du pare-main.
- Tout en maintenant le pare-main à l'équerre de la tête de coupe, le glisser en place de manière à entendre le déclic de la languette de retenue (s'assurer que les guides (D1) du pare-main (D2) sont bien alignés sur ceux (D3) de la tête de coupe (D4) (figure D). La patte de verrouillage (D5) doit encliqueter dans la fente de logement (D6).

- Bien fixer le pare-main au moyen de la vis (E1) (figure E).

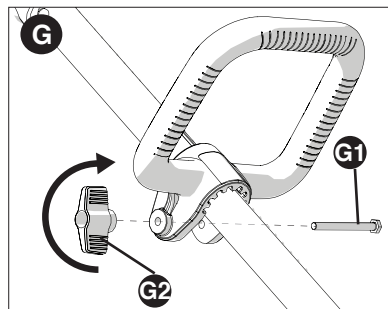
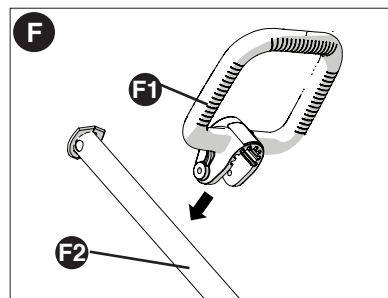
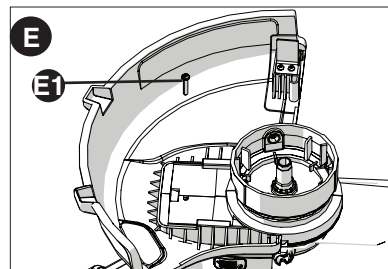
### FIXATION DE LA POIGNÉE AUXILIAIRE (FIGURES F ET G)

- Pousser la poignée auxiliaire (F1) sur le tube (F2).
- Insérer le boulon (G1) dans les orifices pratiqués dans la poignée auxiliaire.
- Serrer le bouton (G2) sur le boulon en le tournant dans le sens horaire.

### RÉGLER LA POSITION DE LA POIGNÉE AUXILIAIRE (FIG. G)

La poignée auxiliaire peut être réglée pour assurer un équilibre et un confort optimaux.

- Desserrer le bouton du boulon en le tournant dans le sens antihoraire.
- Monter ou descendre doucement la poignée auxiliaire le long du tube, jusqu'à la hauteur souhaitée.

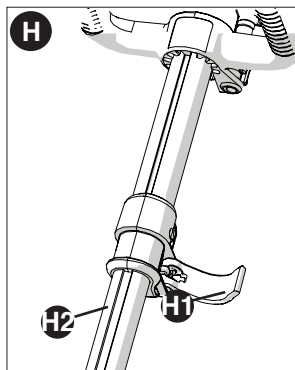


- Serrer le bouton sur le boulon en le tournant dans le sens horaire.

## RÉGLAGE DE LA HAUTEUR DE L'OUTIL (FIGURE H)

**⚠ MISE EN GARDE :** Réglez la longueur de la tondeuse à obtenir des postes de travail appropriées, comme indiqué dans la figure N.

- Cet outil dispose d'un mécanisme télescopique permettant de le régler à une hauteur confortable.
- Pour régler la hauteur :
- Relâcher le tendeur pour régler la hauteur (H1).
- Monter ou descendre doucement le tube (H2) à la hauteur souhaitée.
- Fermer le tendeur pour régler la hauteur (H1).



## LIBÉRATION DU FIL DE COUPE

Durant le transport, le fil de coupe est collé au boîtier de la bobine.

- Retirer le ruban adhésif retenant le fil de coupe au boîtier de la bobine.

## NOTICE D'UTILISATION

**⚠ AVERTISSEMENT:** Toujours utiliser une protection oculaire appropriée conforme à la norme ANSI Z87.1 (CAN/CSA Z94.3) lors de l'utilisation de cet outil électrique.

**⚠ AVERTISSEMENT :** Débrancher la fiche de la source d'alimentation avant de procéder au montage, d'effectuer des réglages ou de changer d'accessoire. Une telle mesure de sécurité préventive réduit le risque de mettre l'outil en marche accidentellement.

**⚠ MISE EN GARDE :** Avant de procéder au taillage, s'assurer d'utiliser uniquement le type de fil de coupe adéquat.

**⚠ MISE EN GARDE :** Inspecter la zone qui sera taillée et retirer tout morceau de fil métallique, de corde ou d'objets similaires qui pourraient s'enchevêtrer dans le fil rotatif ou avec la bobine. Être spécialement attentif et éviter, sur le parcours de l'outil, tout fil

métallique courbé vers l'extérieur comme les fils au pied d'une clôture à mailles losangées.

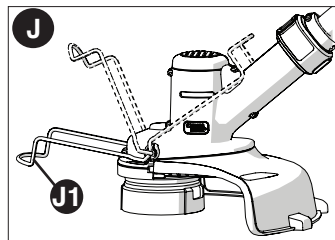
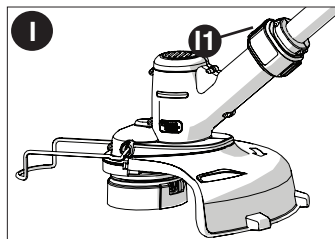
## RÉGLAGE DE L'OUTIL POUR LA TAILLE OU LA COUPE EN BORDURE (FIGURE I, J ET K)

- L'outil peut être utilisé pour la taille comme le montre la figure I ou pour la coupe en bordure pour couper l'herbe haute sur les bords du parterre et le long des massifs de fleurs comme le montre la figure K.

## MODE DE TAILLAGE

Pour la taille, la tête de coupe doit être dans la position indiquée à la figure I. Si ce n'est pas le cas :

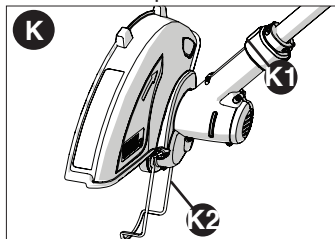
- Retirer le bloc-piles de l'outil.
  - Enfoncer le bouton de dégagement de la tête (I1) et le maintenir dans cette position.
  - Tout en tenant la poignée auxiliaire, tourner la tête dans le sens horaire.
  - Relâcher le bouton de dégagement de la tête.
  - Soulever le guide de coupe (J1) et le mettre en position fermée.
- Remarque : La tête ne pivote que dans un seul sens.



**⚠ CAUTION:** Wire edge guide should only be used when in the edging mode. Keep wire edge guide in the retracted position when in the trimming mode.

## MODE DE COUPE-BORDURES (FIGURE K)

**⚠ AVERTISSEMENT :** lorsque utilisé comme un coupe-bordure, des pierres, des morceaux de métal et d'autres objets peuvent être jetés à grande vitesse par la ligne. La coupe et la garde sont



conçus pour réduire le danger. Cependant, s'assurer que d'autres personnes et les animaux sont au moins 30m (100 pieds) de distance.

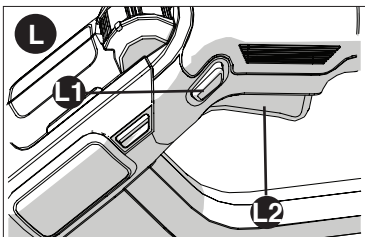
Pour la coupe en bordure, la tête de coupe doit se trouver dans la position indiquée par la figure K. Si ce n'est pas le cas :

- Retirer le bloc-piles de l'outil.
  - Enfoncer le bouton de dégagement de la tête (K1) et le maintenir dans cette position.
  - Tout en tenant la poignée auxiliaire, tourner la tête dans le sens antihoraire.
  - Relâcher le bouton de dégagement de la tête.
  - Déplacer le guide de coupe (K2) à la position ouverte. S'assurer que le guide de coupe est bien descendu; un déclic se fera entendre.
- Remarque : La tête ne pivote que dans un seul sens.

Remarque : Le système d'alimentation automatique risque de mal fonctionner si le guide de coupe n'est pas utilisé.

#### MISE EN MARCHÉ ET ARRÊT

- Pour allumer l'outil, enfoncer le bouton de verrouillage (L1) et le maintenir dans cette position, puis serrer le levier de déclenchement (L2). Une fois l'outil en marche, le bouton de verrouillage peut être relâché (L1).
- Pour éteindre l'outil, relâcher le levier de déclenchement.

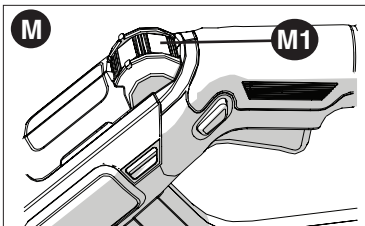


**⚠ AVERTISSEMENT :** Ne jamais tenter de verrouiller le levier de déclenchement en position de marche.

#### PUISSANCE MAX/DURÉE D'EXÉCUTION MAX.

La fonction de puissance max./durée d'exécution max. (M1) se trouve sur la poignée de l'outil. Cette fonction permet d'optimiser le rendement de l'outil et d'augmenter sa puissance au besoin.

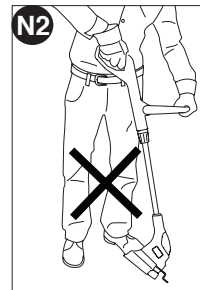
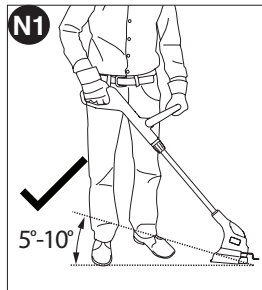
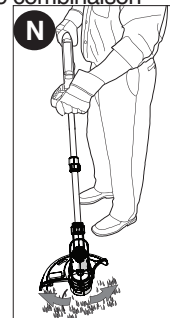
- Régler le cadran à la position 6 pour choisir la puissance max. et ainsi s'attaquer aux mauvaises herbes denses.



- Régler le cadran à la position 1 pour choisir la durée d'exécution max. et ainsi augmenter la durée de vie du bloc-piles.
- Régler le cadran de la position 2 à 5 pour obtenir une combinaison des deux fonctions.

#### FUNCTIONNEMENT DU TAILLE-BORDURES

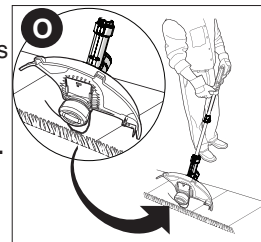
- Tenir l'outil comme il est indiqué à la **figure N**.
- Maintenir un angle de coupe entre 5° et 10° comme le montre la **figure N1**. Ne pas excéder 10° (**figure N2**). Couper avec le bout du fil. Pour se tenir à distance des surfaces dures, utiliser le guide de coupe (7). Sortir le guide de manière à bien l'enclencher en place.
- Maintenir une distance minimale de 609,6 mm (24 po) entre le dispositif de protection et vos pieds, comme le montre la **figure N3**. Pour obtenir cette distance, régler la hauteur globale du taille-bordures comme le montre la **figure G**.



#### COUPE EN BORDURE

Les meilleurs résultats de coupe sont obtenus sur des bords de plus de 50 mm (2 po) de profondeur.

- Ne pas utiliser l'outil pour créer des bordures.
- Guider l'outil comme il est indiqué à la **figure O**.
- Pour couper de plus près, incliner légèrement l'outil.





## CONSEJOS ÚTILES PARA CORTAR

- Utilice la punta de la cuerda para realizar el corte; no empuje el cabezal de la cuerda contra el césped sin cortar. Para lograr trabajos de calidad, utilice la guía de borde a lo largo de elementos como cercos, casas y canteros.
- Los cercos de alambre y de estacas provocan un mayor desgaste de la cuerda e incluso su rotura. Los muros de piedra y ladrillo, las cunetas y la madera pueden desgastar la cuerda rápidamente.
- No permita que la tapa del carrete se arrastre sobre el suelo u otras superficies.
- En crecimientos largos, corte desde arriba hacia abajo y no exceda una altura de 304,8 mm (12 pulgadas).
- Mantenga la podadora inclinada hacia el área que se corta; ésta es la mejor área de corte.
- La podadora corta al mover la unidad de derecha a izquierda. Esto evitará que se arrojen restos al usuario.
- Evite árboles y arbustos. La cuerda fácilmente puede dañar la corteza de árboles, las molduras de madera, los revestimientos exteriores y los pilares de cercos.

## ACCESSORIES DE RECHANGE

### FIL DE COUPE/AVANCE DU FIL

Votre taille-bordures utilise un fil de nylon ROND de 1,65 mm (0,065 po) de diamètre. En cours d'utilisation, les extrémités des fils de nylon s'effilocheront et s'useront. La bobine spéciale à avance automatique de fil fournira et coupera automatiquement une nouvelle longueur de fil. Ne pas frapper l'appareil sur le sol pour alimenter l'appareil ou pour toute autre raison. Le fil tranchant s'usera et sera avancé plus rapidement si la coupe ou le taillage s'effectue le long de trottoirs ou d'autres surfaces abrasives ou si des mauvaises herbes touffues sont coupées.

**⚠ MISE EN GARDE :** Avant de procéder au taillage, s'assurer d'utiliser uniquement le type de fil de coupe adéquat. Utiliser la bobine de rechange modèle AF-100 de BLACK+DECKER. Recharger le fil de nylon (en vrac ou préenroulé sur la bobine de rechange) selon les directives de ce mode d'emploi.

#### • UTILISER UNIQUEMENT UN FIL DE NYLON ROND

(MONOFILAMENT) DE 1,65 mm (0,065 po) DE DIAMÈTRE.

Ne pas utiliser de fil dentelé ou de plus gros calibre, car ces fils surchargeront le moteur et provoqueront une surchauffe. Ce fil est

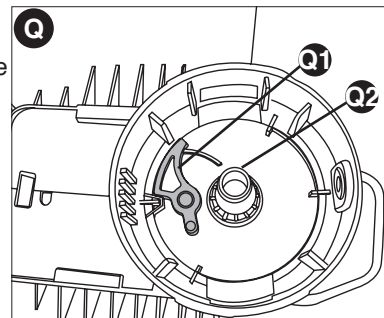
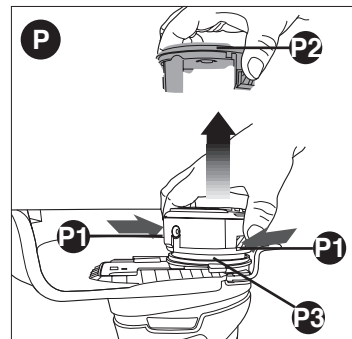
disponible auprès du détaillant local ou du centre de réparation agréé.

• D'autres pièces de rechange (pare-mains, couvercles de bobine, etc.) sont offertes aux centres de réparation BLACK+DECKER. Pour trouver le centre de réparation local, composer le : 1 800 544-6986 ou consulter [www.blackanddecker.com](http://www.blackanddecker.com).

**⚠ AVERTISSEMENT :** L'utilisation de tout accessoire non recommandé par BLACK+DECKER, avec cet outil, pourrait s'avérer dangereuse.

### REEMPLACEMENT DE LA BOBINE (FIGURES P, Q ET R)

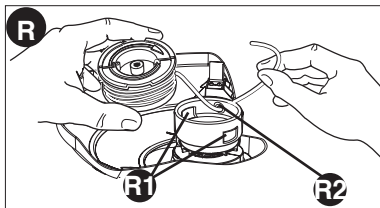
- Retirer le bloc-piles de l'outil.
- Enfoncer les languettes (P1) et retirer le couvercle de la bobine (P2) du boîtier de la bobine (P3) logé dans la tête du taille-bordures (**figure P**).
- Pour obtenir des résultats optimaux, remplacer la bobine par une bobine de modèle AF-100 de BLACK+DECKER.
- Tenir la bobine vide d'une main et le boîtier de bobine de l'autre, puis sortir la bobine en tirant dessus.
- Si le levier (Q1), situé à la base du boîtier, se détache, le remettre à la bonne position avant d'insérer la bobine neuve dans le boîtier.
- Retirer l'herbe et les saletés présentes dans la bobine et le boîtier.
- Détacher l'extrémité du fil de coupe et le faire passer dans l'œillet (R2), **figure R**.
- Prendre la bobine neuve et l'enfoncer sur la saillie (Q2) du boîtier. Faire pivoter



légèrement la bobine jusqu'à ce qu'elle soit bien installée. Le fil doit sortir d'environ 122 mm (4 13/16 po) du boîtier.

- Aligner les languettes du couvercle de la bobine sur les encoches (R1) du boîtier (**figure R**).

- Enfoncer le couvercle sur le boîtier de manière à ce qu'il s'enclenche bien en place.



**⚠ MISE EN GARDE :** Pour éviter d'endommager l'outil, si le fil dépasse la lame de coupe, le couper de façon à ce qu'il atteigne seulement la lame.

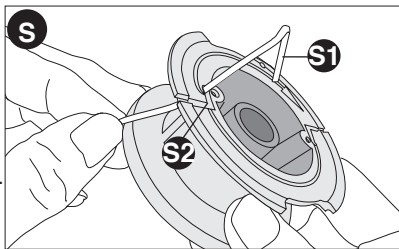
**REBOBINER LA BOBINE (UTILISER UNIQUEMENT UN FIL ROND DE 1,65 MM (0,065 PO) DE DIAMÈTRE) (FIGURES S, T ET U)**

REMARQUE : Le fil en vrac des bobines enroulées à la main est susceptible de s'enchevêtrer plus souvent que le fil des bobines enroulées dans une usine BLACK+DECKER. Pour obtenir des résultats optimaux, il est recommandé d'utiliser des bobines embobinées à l'usine.

**Suivre les étapes ci-dessous pour installer du fil:**

- Retirer le bloc-piles de l'outil.
- Retirer la bobine vide de l'outil comme le décrit la section « REMPLACEMENT DE LA BOBINE ».

- Retirer tout le reste de fil de coupe de la bobine.
- Replier l'extrémité du fil de coupe d'environ 19 mm (3/4 po) (S1). Insérer le fil de coupe dans l'une de ses encoches d'ancrage (S2) comme le montre la **figure S**.
- Insérer l'extrémité de 19mm (3/4 po) du fil en vrac dans l'orifice (T1) de la bobine, juste à côté de l'encoche, comme le montre la **figure T**. Assurez-vous que la ligne est tendue contre la bobine comme illustré à la figure T.

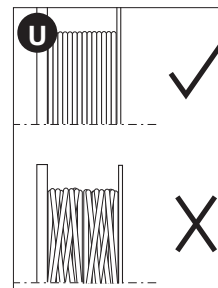
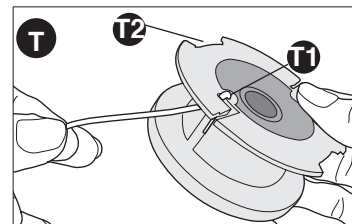


- Enrouler le fil de coupe sur la bobine dans le sens indiqué par

la flèche inscrite sur la bobine. Prendre soin d'enrouler le fil de façon nette et ordonnée par couches successives. Ne pas croiser le fil (**figure U**).

- Couper le fil de coupe enroulé lorsqu'il atteint les encoches (T2). (Figure T.)

- Ajuster la bobine sur l'outil comme le décrit la section « REMPLACEMENT DE LA BOBINE ».



**DEPANNAGE**

**PROBLÈME**

L'outil fonctionne lentement.

**SOLUTION**

- Retirer la pile de l'outil. Vérifier que le boîtier de la bobine peut tourner librement. Le nettoyer avec précaution si nécessaire.
- S'assurer que le fil de coupe sort d'au plus 136 mm (5 3/8 po) de la bobine. Le cas échéant, le couper afin que sa longueur atteigne juste la lame de coupe pour le fil.

## PROBLÈME

La alimentación automática de cuerda no alimenta más cuerda.

## SOLUTION

- Retirer la pile de l'outil.
- Enlever le capuchon de la bobine.
- Tirer sur le fil de coupe de manière à ce qu'il sorte d'environ 136 mm (5 3/8 po) de la bobine. Si la longueur de fil restant sur la bobine est insuffisante, installer une nouvelle bobine de fil.
- S'assurer que le fil n'est pas entrecroisé sur la bobine comme l'illustre la figure U. Si c'est le cas, dérouler le fil de coupe, puis l'enrouler de nouveau sur la bobine de façon ordonnée, de manière à ne pas entrecroiser les fils.
- Aligner les languettes, logées sur le couvercle de la bobine, sur les fentes pratiquées dans le boîtier.
- Enfoncer la bobine sur le boîtier de manière à ce qu'elle s'enclenche bien en place.
- Inspecter les rainures pratiquées sous la bobine à la recherche de dommages. En cas de dommages, remplacer la bobine.
- Lire le code inscrit à l'endos de la bobine. Si le code est « PA66 », appeler le service à la clientèle pour faire remplacer la bobine. Si le code indiqué est « ABS », ce n'est pas le problème.
- Si le fil de coupe dépasse la lame de coupe, le couper de façon à ce qu'il atteigne seulement la lame. Si l'alimentation automatique de fil ne fonctionne toujours pas ou si la bobine se bloque, procéder comme suit :
  - Nettoyer avec précaution la bobine et son boîtier.
  - Retirer la bobine, puis vérifier si le levier, situé dans le boîtier de la bobine, peut se déplacer librement.
  - Retirer la bobine et dérouler le fil de coupe, puis l'enrouler à nouveau de façon ordonnée. Remettre la bobine dans le boîtier.

## PROBLÈME

Alimentation excédentaire

## SOLUTION

- S'assurer de couper avec le bout du fil (177,8 mm [7 po] de la bobine). Utilisez le guide de coupe si nécessaire pour maintenir la bonne distance.
  - S'assurer de ne pas excéder un angle de 10° comme le montre la figure N1.
- 
- S'assurer de fixer les fils dans les encoches de retenue (T2) (figure T) avant le retrait.

Le fil se déroule lorsque la bobine ou le capuchon est enlevé.

## ENTRETIEN

**⚠ AVERTISSEMENT :** Pour éviter des blessures graves, éteindre et débrancher l'outil avant d'effectuer toute opération d'entretien.

1. Maintenir les orifices de ventilation dégagés pour éviter la surchauffe.
2. Votre fil rotatif peut sécher avec le temps. Pour tenir votre fil en excellente condition, entreposer les bobines de rechange de fil pré-enroulé ou le fil en vrac dans un sac en plastique scellé contenant l'équivalent d'une cuillerée d'eau.
3. Les pièces en plastique se nettoient avec un savon doux et un chiffon humide.
4. Le coupe-fil sur le bord du dispositif de protection peut s'émousser avec le temps. Il est recommandé de s'assurer régulièrement que la lame est bien tranchante en utilisant une lime.

**IMPORTANT :** Pour garantir la SÉCURITÉ et la FIABILITÉ du produit, les réparations, l'entretien et le réglage doivent être réalisés par un centre de réparation autorisé ou tout autre centre de réparation professionnel, et des pièces de rechange identiques doivent être utilisées.

## INFORMATION SUR LES REPARATION

Tous les centres de réparation BLACK+DECKER sont dotés de personnel qualifié en matière d'outillage électrique; ils sont donc en mesure d'offrir à leur clientèle un service efficace et fiable. Que ce soit pour un avis technique, une réparation ou des pièces de rechange authentiques installées en usine,

communiquer avec l'établissement BLACK+DECKER le plus près de chez vous. Pour trouver l'établissement de réparation de votre région, composer le numéro suivant : 1-800-544-6986 ou consulter le site [www.blackanddecker.com](http://www.blackanddecker.com)

### LE SCEAU SRPRC<sup>MC</sup>

Le sceau SRPRC<sup>MC</sup> (Société de recyclage des piles rechargeables) sur la pile au lithium-ion (ou sur le bloc-piles) indique que son coût de recyclage (ou celui du bloc-piles) à la fin de sa vie utile est déjà payé par **BLACK+DECKER**. La SRPRC<sup>MC</sup>, en collaboration avec **BLACK+DECKER** et d'autres utilisateurs de piles, a établi aux États-Unis des programmes facilitant le ramassage des piles au LI-ION épuisées. Aidez-nous à protéger l'environnement et à conserver nos ressources naturelles en retournant les piles LI-ION épuisées à un centre de réparation **BLACK+DECKER** ou au détaillant de votre région pour qu'elles soient recyclées. Vous pouvez aussi communiquer avec le centre de recyclage de votre région pour obtenir des informations sur l'endroit où éliminer vos piles épuisées. SRPRC<sup>MC</sup> est une marque de commerce déposée de la Société de recyclage des piles rechargeables. Cet appareil numérique de la classe B est conforme à la norme NMB-003 du Canada. Cet appareil est conforme aux dispositions du paragraphe 15 des règlements de la FCC. Son fonctionnement est régi par les deux conditions suivantes : (1) Cet appareil ne peut pas causer d'interférence nuisible et (2) cet appareil doit accepter toutes les interférences reçues, y compris celles qui risquent d'en gêner le fonctionnement.

**REMARQUE** : ce matériel a été testé et a été déclaré conforme aux limites en vigueur concernant les dispositifs numériques de classe B, en vertu de la partie 15 de la réglementation FCC. Ces limites visent à assurer une protection raisonnable contre tout brouillage nuisible dans une installation résidentielle. Ce matériel produit, consomme et peut émettre une énergie de radiofréquence et, s'il n'est pas installé et utilisé conformément aux directives qui l'accompagnent, il peut entraîner un brouillage nuisible des communications radio. Cependant, nous ne garantissons pas l'absence de brouillage dans tous les types d'environnement. Si, après avoir effectué une vérification en mettant l'appareil hors tension puis sous tension, l'utilisateur s'aperçoit que ce matériel provoque un brouillage nuisible à la réception des signaux de radio ou de télévision, il lui faudra essayer de corriger ce brouillage en prenant une ou plusieurs des mesures ci-dessous :

- Réorienter ou repositionner l'antenne de réception.
- Éloigner le plus possible le matériel du récepteur.
- Brancher le matériel dans une prise électrique située sur un circuit différent de celui du récepteur.



- Consulter le distributeur ou un technicien radio/télévision expérimenté pour obtenir de l'aide.

Tout changement ou toute modification à cet appareil qui n'est pas expressément approuvé par l'institution responsable de la conformité peut faire annuler le droit de l'utilisateur d'utiliser ce matériel. Cet appareil numérique de la classe B est conforme à la norme NMB-003 du Canada.

## GARANTIE LIMITÉE DE TROIS ANS

Black & Decker (É.-U.) Inc. garantit que le produit est exempt de défauts de matériau et de fabrication pendant trois (3) ans à partir de la date d'achat, à condition que le produit soit utilisé en milieu domestique. La présente garantie limitée ne couvre pas les défaillances provoquées par un abus, un dommage accidentel ou des réparations ou tentatives de réparations effectuées par toute autre personne que le personnel de BLACK+DECKER et de ses centres de réparation agréés. Un produit défectueux qui remplit les conditions stipulées par la présente garantie sera remplacé ou réparé sans frais d'une des deux façons suivantes : La première façon consiste en un échange chez le détaillant où le produit a été acheté (à la condition que le magasin soit un détaillant participant). Tout retour doit se faire durant la période correspondant à la politique d'échange du détaillant. Une preuve d'achat peut être requise. Prière de vérifier la politique de retour du détaillant au sujet des délais impartis pour les retours ou les échanges. La deuxième option est d'apporter ou d'envoyer le produit (en port payé) à un centre de réparation agréé ou à un centre de réparation BLACK+DECKER pour faire réparer ou échanger le produit, à la discrétion de BLACK+DECKER. Une preuve d'achat peut être requise. Les centres de réparation de BLACK+DECKER et les centres de réparation ou en ligne sur [www.blackanddecker.com](http://www.blackanddecker.com). Cette garantie ne s'applique pas aux accessoires. Cette garantie accorde des droits légaux propres au propriétaire de l'outil. Ce dernier pourrait avoir d'autres droits selon l'État ou la province qu'il habite. Pour toute question, communiquer avec le directeur du centre de réparation BLACK+DECKER le plus près. Ce produit n'est pas destiné à un usage commercial. L'usage commercial de ce produit annule par conséquent cette garantie. Toutes autres garanties, expresses ou implicites, sont déclinées par la présente.

Imported by / Importé par  
Black & Decker Canada Inc.  
100 Central Ave.  
Brockville (Ontario) K6V 5W6

# BLACK+ DECKER™

## DE PODADORA / BORDEADORA DE LITIO DE 40 V MAX\*

### MANUAL DE INSTRUCCIONES

MODELO N°  
**LST136**

- Utilizar únicamente con una batería B&D serie LB de 36 V o 40 V MAX\*.

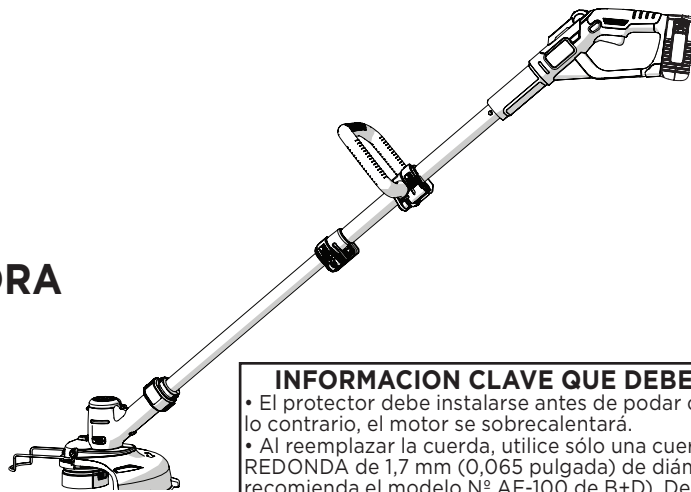
### GRACIAS POR ELEGIR BLACK+DECKER !

### LEA EL MANUAL ANTES DE DEVOLVER ESTE PRODUCTO POR CUALQUIER MOTIVO:

Si tiene una consulta o algún inconveniente con su producto BLACK+DECKER , visite <http://www.blackanddecker.com/instantanswers> para obtener respuestas instantáneas las 24 horas del día. Si no encuentra la respuesta o no tiene acceso a Internet, llame al 1-800-544-6986 de lunes a viernes de 8 a. m. a 5 p. m. hora del Este para hablar con un agente. Cuando llame, tenga a mano el número de catálogo.

### CONSERVE ESTE MANUAL PARA FUTURAS CONSULTAS. SÓLO PARA USO DOMÉSTICO.

\*El máximo voltaje inicial del paquete de baterías (medido sin una carga de trabajo) es 40 voltios. Si se mide con una carga de trabajo, el voltaje nominal es 36.



#### INFORMACION CLAVE QUE DEBE SABER:

- El protector debe instalarse antes de podar o bordear. De lo contrario, el motor se sobrecalentará.
- Al reemplazar la cuerda, utilice sólo una cuerda REDONDA de 1,7 mm (0,065 pulgada) de diámetro (Se recomienda el modelo N° AF-100 de B+D). De lo contrario, la unidad no funcionará correctamente.
- No golpee el cabezal de alimentación contra el piso. Esto interrumpirá el mecanismo de alimentación.

Visite [www.BlackandDecker.com/NewOwner](http://www.BlackandDecker.com/NewOwner) para registrar su nuevo producto.

## PAUTAS DE SEGURIDAD/DEFINICIONES

Es importante que lea y comprenda este manual. La información que contiene se relaciona con la protección de SU SEGURIDAD y la PREVENCIÓN DE PROBLEMAS. Los símbolos que siguen se utilizan para ayudarlo a reconocer esta información.

**⚠ PELIGRO:** indica una situación de peligro inminente que, si no se evita, provocará la muerte o lesiones graves.

**⚠ ADVERTENCIA:** indica una situación de peligro potencial que, si no se evita, provocará la muerte o lesiones graves.

**⚠ PRECAUCIÓN:** indica una situación de peligro potencial que, si no se evita, provocará lesiones leves o moderadas.

**AVISO:** utilizado sin el símbolo de alerta de seguridad indica una situación de peligro potencial que, si no se evita, puede provocar daños en la propiedad.

## INSTRUCCIONES Y ADVERTENCIAS DE SEGURIDAD

**⚠ ADVERTENCIA:** Al utilizar herramientas eléctricas para el jardín, siempre se deben tomar ciertas precauciones básicas de seguridad para minimizar el riesgo de incendio, descarga eléctrica y lesiones personales, entre ellas:

### Lea todas las instrucciones

- **SIEMPRE UTILICE PROTECCIÓN PARA LOS OJOS:** utilice gafas o anteojos de seguridad en todo momento que esta herramienta esté enchufada.
- **PROTECTOR:** nunca utilice esta herramienta sin el protector.
- **UTILICE LA VESTIMENTA ADECUADA:** no utilice ropa holgada ni joyas. Pueden atascarse en las piezas móviles. Se recomienda utilizar guantes de goma y calzado con una suela de goma considerable al trabajar al aire libre. No opere la herramienta descalzo ni con sandalias abiertas. Utilice pantalones largos para protegerse las piernas. Recójase y cubra el cabello largo.
- **CUERDA DE NYLON:** mantenga la cara, las manos y los pies lejos de la cuerda de nylon giratoria en todo momento.
- **LA CUERDA GIRATORIA REALIZA UNA FUNCIÓN DE CORTE:** tenga precaución al podar alrededor de pantallas y plantas que desea.

- **MANTENGA ALEJADOS A TODOS LOS ESPECTADORES:** a una distancia segura, especialmente a los niños.
- **ADVERTENCIA IMPORTANTE:** al utilizar la herramienta como Bordeadora, las piedras, las piezas de metal y otros objetos pueden ser arrojados a alta velocidad por la acción de la cuerda. La herramienta y el protector están diseñados para reducir el peligro. No obstante, se deben tener en cuenta las siguientes precauciones especiales:
- **ASEGÚRESE** de que las demás personas y mascotas estén a no menos de 30 m (100 pies) de distancia.
- **PARA REDUCIR EL RIESGO** de lesiones por repercusión (rebote), trabaje lejos de cualquier objeto sólido cercano, como pared, escalones, piedras grandes, árboles, etc. Tenga suma precaución al trabajar cerca de objetos sólidos y, cuando sea necesario, pade o recorte los bordes en forma manual.
- **EVITE EL ARRANQUE ACCIDENTAL:** nunca transporte la herramienta enchufada con el dedo en el interruptor.
- **NO FUERCE LA HERRAMIENTA:** a una velocidad más rápida de la velocidad para la que fue diseñada para cortar en forma eficaz.
- **UTILICE LA HERRAMIENTA ADECUADA:** no utilice esta herramienta para un trabajo diferente a aquéllos para los que fue diseñada.
- **NO SE ESTIRE:** conserve el equilibrio adecuado y manténgase parado correctamente en todo momento.
- **DA—O A LA UNIDAD:** si golpea la herramienta o ésta se atasca con un objeto extraño, deténgala de inmediato, desenchúfela, verifique que no se haya dañado y repare cualquier daño antes de seguir utilizándola. No opere la herramienta si la bobina o el carrete están dañados.
- **DESCONECTE LA HERRAMIENTA:** cuando no la utilice, al reemplazar la cuerda o antes de limpiarla.
- **EVITE LAS CONDICIONES AMBIENTALES PELIGROSAS:** no utilice herramientas eléctricas en lugares húmedos o mojados. Siga todas las instrucciones incluidas en este Manual de instrucciones para una operación adecuada de la herramienta. No utilice la herramienta bajo la lluvia.
- **NO OPERE** herramientas eléctricas portátiles en atmósferas gaseosas o explosivas. Los motores de estas herramientas normalmente chispean, y las chispas pueden encender los vapores.

- **GUARDE LAS HERRAMIENTAS QUE NO SE UTILICEN EN EL INTERIOR:** cuando no las utilice, las herramientas deben guardarse en un lugar seco, alto o bajo llave, fuera del alcance de los niños. **MANTÉNGASE ALERTA:** No haga funcionar esta unidad si está cansado, enfermo o bajo la influencia del alcohol, drogas o medicamentos.
- **CONSERVE LAS HERRAMIENTAS ADECUADAMENTE:** siga las instrucciones en la sección de mantenimiento. Mantenga los mangos secos, limpios y libres de aceite y grasas.
- **VERIFIQUE LAS PIEZAS AVERIADAS:** antes de volver a utilizar la herramienta, se debe controlar cualquier protección u otra pieza que esté averiada para determinar si funcionará correctamente y realizará la función para la que fue diseñada. Verifique la alineación y la sujeción de las piezas móviles, la rotura de piezas, el montaje y cualquier otra condición que pueda afectar el funcionamiento. Cualquier protección u otra pieza que esté dañada debe ser reparada correctamente o reemplazada por un centro de mantenimiento autorizado, a menos que este manual indique otra cosa.
  - NO sumerja la herramienta en agua ni la salpique con una manguera. NO permita que ningún líquido entre en ella.
  - NO guarde la herramienta sobre o cerca de fertilizantes o productos químicos.
  - NO limpie con una lavadora a presión.
  - Mantenga los protectores instalados adecuadamente y en funcionamiento.
  - Mantenga las manos y los pies alejados del área de corte.

**⚠ADVERTENCIA:** No utilice la herramienta si el gatillo interruptor no enciende o apaga la herramienta. Toda herramienta que no pueda controlarse mediante el gatillo interruptor es peligrosa y debe repararse.

## CONSERVE ESTAS INSTRUCCIONES

### Simbolos

La etiqueta de su herramienta puede incluir los siguientes símbolos.

V ..... voltios  
 Hz ..... hertz  
 min ..... minutos

A ..... amperios  
 W ..... vatios  
 ~ o AC ..... corriente alterna

- o DC . corriente directa      No ..... velocidad sin carga
- ☐ ..... Construcción Class II      ⊕ ..... terminal a tierra
- ⚠ ..... símbolo de alerta de ..... /min ..... revoluciones seguridad ..... por minuto
- 📖 ..... Lea el manual de instrucciones antes del uso
- 🧴 ..... Use protección adecuada para las vías respiratorias
- 🕶 ..... Use protección adecuada para los ojos
- 👂 ..... Use protección adecuada para los oídos

**⚠ADVERTENCIA:** Parte del polvo generado por este producto contiene sustancias químicas reconocidas por el Estado de California como causantes de cáncer, defectos congénitos u otros problemas reproductivos. Algunos ejemplos de estas sustancias químicas:

- compuestos en los fertilizantes
- compuestos en los insecticidas, herbicidas y pesticidas
- arsénico y cromo de la madera con tratamiento químico

Para reducir su exposición a estas sustancias químicas, utilice el equipo de seguridad aprobado, como máscaras para polvo especialmente diseñadas para filtrar partículas microscópicas.

## INSTRUCCIONES DE SEGURIDAD IMPORTANTES PARA CARGADORES DE BATERÍAS

Este manual contiene instrucciones de seguridad importantes para los cargadores de baterías.

- Antes de utilizar el cargador, lea todas las instrucciones y las prevenciones en el cargador, en el paquete de baterías y en el producto que utiliza el paquete de baterías.

**⚠ADVERTENCIA:** Riesgo de descarga eléctrica. No permita que ningún líquido entre en el cargador.

**⚠PRECAUCIÓN:** Riesgo de quemadura. Para reducir el riesgo de lesiones, cargue solamente baterías BLACK+DECKER . Otros tipos de baterías pueden estallar y provocar daños personales y materiales.

**⚠PRECAUCIÓN:** En determinadas

circunstancias, con el cargador enchufado en el tomacorriente, algunos materiales extraños pueden provocar un cortocircuito en el cargador. Se deben mantener lejos de las cavidades del cargador los materiales extraños de naturaleza conductora, entre los que se incluyen la lana de acero, el papel de aluminio o cualquier acumulación de partículas metálicas. Éstos son sólo algunos ejemplos y no constituyen una lista taxativa. Siempre desenchufe el cargador del tomacorriente cuando no haya un paquete de baterías en la cavidad. Desenchufe el cargador antes de intentar limpiarlo.

- El cargador suministrado con este producto debe enchufarse de manera que quede correctamente orientado en posición de montaje vertical o en el piso.
- NO intente cargar el paquete de baterías con cargadores distintos de los que se listan en este manual. *El cargador y el paquete de baterías están específicamente diseñados para funcionar en conjunto.*
- Estos cargadores no están diseñados para otro uso que no sea la carga de baterías recargables BLACK+DECKER. *Otros usos pueden provocar riesgo de incendio, descarga eléctrica o electrocución.*
- No exponga el cargador a la lluvia ni a la nieve.
- Tire del enchufe en lugar del cable al desconectar el cargador. *Esto reducirá el riesgo de dañar el enchufe y el cable.*
- Asegúrese de que el cable esté ubicado de modo que no lo pise o se tropiece con él, y que no esté sujeto a daños o tensiones de alguna otra forma.
- No utilice un cable prolongador a menos que sea absolutamente necesario. *El uso de un cable prolongador incorrecto puede provocar riesgo de incendio, descarga eléctrica o electrocución.*
- Para garantizar la seguridad, un cable prolongador debe tener un tamaño de cable adecuado (AWG o Calibre de conductor de Estados Unidos). *Cuanto más pequeño sea el número de calibre del conductor, mayor será la capacidad del cable; es decir, un calibre 16 tiene más capacidad que un calibre 18. Cuando se utiliza más de una prolongación para lograr la longitud total, asegúrese de que cada prolongación tenga la medida mínima del conductor.*

#### CALIBRE MÍNIMO PARA CABLES DE EXTENSIÓN

Volts	Calibre mínimo para cables de extensión			
	Longitud total del cable en pies			
120V	0-25	26-50	51-100	101-150
	(0-7,6m)	(7,6-15,2m)	(15,2-30,4m)	(30,4-45,7m)
240V	0-50	51-100	101-200	201-300
	(0-15,2m)	(15,2-30,4m)	(30,4-60,9m)	(60,9-91,4m)
<b>Amperaje</b>				
	Más de	No más de		American Wire Gage
0	- 6	18	16	16 14
6	- 10	18	16	14 12
10	- 12	16	16	14 12
12	- 16	14	12	No se recomienda

- No coloque objetos en la parte superior del cargador ni coloque el cargador en una superficie blanda que pueda bloquear las ranuras de ventilación y provocar un calor interno excesivo. *Coloque el cargador en una posición alejada de cualquier fuente de calor. El cargador se ventila a través de ranuras en la parte superior y en los lados de la cubierta.*
- No monte el cargador en la pared ni lo instale en forma permanente sobre ninguna superficie. *El cargador está diseñado para ser utilizado sobre una superficie plana y estable (por ej., un banco o una mesa).*
- No opere el cargador con un cable o enchufe dañados: *reemplácelos de inmediato.*
- No opere el cargador si éste ha recibido un golpe fuerte, se cayó o presenta algún daño. *Llévelo a un centro de mantenimiento autorizado.*
- No desarme el cargador; cuando deba realizar un mantenimiento o reparaciones, llévelo a un centro de mantenimiento autorizado. *El armado incorrecto puede implicar un riesgo de descarga eléctrica, electrocución o incendio.*
- Antes de limpiarlo, desconecte el cargador del tomacorriente. *Esto reducirá el riesgo de descarga eléctrica. Quitar el paquete de baterías no reducirá este riesgo.*
- NUNCA intente conectar 2 cargadores juntos.
- El cargador está diseñado para operar con corriente eléctrica doméstica estándar (120 voltios). No intente utilizarlo con otro voltaje.

#### CONSERVE ESTAS INSTRUCCIONES



## INSTRUCCIONES DE SEGURIDAD IMPORTANTES PARA LOS PAQUETES DE BATERÍAS

**⚠️ ADVERTENCIA:** *Para un funcionamiento seguro, lea éste y todos los manuales de instrucciones incluidos con la herramienta antes de usar el cargador.*

El paquete de baterías incluido en la caja no está completamente cargado. Antes de utilizar el paquete de baterías y el cargador, lea las instrucciones de seguridad a continuación. Luego siga los procedimientos de carga descritos.

### LEA TODAS LAS INSTRUCCIONES

- **No incinere el paquete de baterías, aun si tiene daños importantes o está completamente desgastado.** *El paquete de baterías puede explotar en el fuego. Cuando se queman paquetes de baterías, se generan vapores y materiales tóxicos.*
- **No cargue ni use la batería en atmósferas explosivas, como ambientes en los que hay líquidos, gases o polvo inflamables.** *Insertar o retirar la batería del cargador puede encender el polvo o los vapores.*
- **Si el contenido de las baterías entra en contacto con la piel, lave el área de inmediato con agua y jabón suave.** *Si el líquido de la batería entra en contacto con los ojos, enjuague con agua manteniendo los ojos abiertos durante 15 minutos o hasta que la irritación cese. Si se necesita atención médica, el electrolito de las baterías de LI-ION contiene una mezcla de carbonatos orgánicos líquidos y sales de litio.*
- **El contenido de las células de la batería abierta puede generar irritación respiratoria.** *Respire aire fresco. Si los síntomas persisten, busque atención médica.*

**⚠️ ADVERTENCIA:** **Peligro de quemaduras.** *El líquido de la batería puede encenderse si se expone a chispas o llamas.*

- **El cargador suministrado con este producto está diseñado para ser enchufado correctamente en posición vertical u horizontal.**
- **Cargue los paquetes de baterías sólo con cargadores de BLACK+DECKER.**
- **NO salpique o sumerja en agua u otros líquidos.** *Esto puede causar una falla prematura de las células.*

- **No almacene ni utilice la herramienta y el paquete de baterías en lugares en los que la temperatura pueda alcanzar o superar los 40 °C (105 °F) (como en toldos al aire libre o construcciones de metal en verano).**

**⚠️ ADVERTENCIA:** *Nunca intente abrir el paquete de baterías por ningún motivo. Si la caja del paquete de baterías está agrietada o dañada, no la introduzca en el cargador. No comprima, deje caer ni dañe el paquete de baterías. No utilice un paquete de baterías o un cargador que haya recibido un golpe fuerte, se haya caído, esté agotado o dañado de alguna forma (por ejemplo, perforado con un clavo, golpeado con un martillo, pisado). Los paquetes de baterías dañados deben devolverse al centro de mantenimiento para su reciclado.*

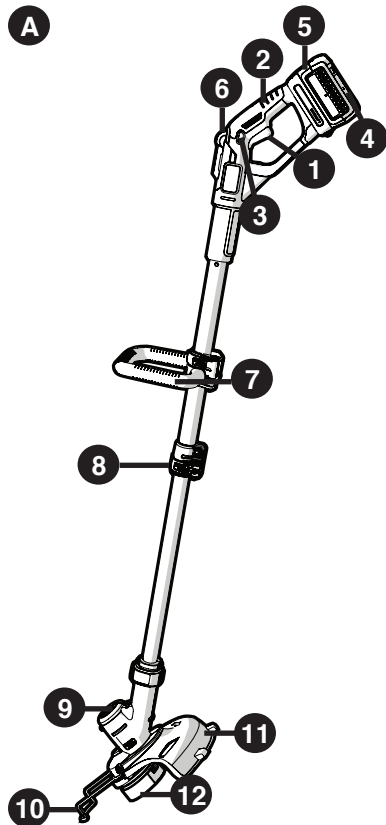
**⚠️ ADVERTENCIA:** **Riesgo de incendio.** **No guarde o transporte la batería de ninguna manera que permita que los terminales expuestos de la batería entren en contacto con objetos metálicos.** *Por ejemplo, no coloque en la batería en delantales, bolsillos, cajas de herramientas, cajas de juegos de productos, cajones, etc. con clavos, llaves, tornillos sueltos, etc. Transportar baterías puede provocar incendios si los terminales de la batería entran en contacto accidentalmente con materiales conductores como llaves, monedas, herramientas de mano u objetos similares.* *Las Normas para Materiales Peligrosos del Departamento de Transporte de los EE.UU. (HMR) concretamente prohíben transportar baterías comercialmente o en aviones (es decir, empacadas en maletas y equipaje de mano) A MENOS que estén debidamente protegidas de cortocircuitos. Por lo tanto, cuando transporte baterías individuales, asegúrese de que los terminales de la batería estén protegidos y bien aislados de materiales que puedan hacer contacto y causar un cortocircuito.* **NOTA: Las baterías de iones de LI-ION no deben colocarse dentro del equipaje registrado.**

### RECOMENDACIONES CON RESPECTO AL ALMACENAMIENTO

1. El mejor lugar de almacenamiento es uno que sea fresco y seco fuera de la luz solar directa y de un exceso de calor o frío.
2. El almacenamiento prolongado no dañará el paquete de baterías o el cargador.

## COMPONENTES

1. Interruptor de encendido/apagado
2. Mango
3. Botón de bloqueo
4. Batería
5. Indicador de carga
6. Control de potencia
7. Mango auxiliar
8. Abrazadera de bloqueo para ajuste de altura
9. Cabezal de la podadora
10. Guía de borde
11. Protector
12. Cubierta del carrete



## BLACK+DECKER Sistemas de cargador y batería

Cargadores de baterías/Tiempo de carga (Minutos) (0% - 100% cargar)

Batería de 40V MAX*	Vatios por hora	40V MAX* Cargadores		
		LCS36	LCS40	LCS436
LBX36	47	1	1	3.25
LBXR36	60	1.25	1.25	3.75
LBX1540	60	1.25	1.25	3.75
LBXR2036	80	1.5	1.5	5
LBX2040	80	1.5	1.5	5
LBXR2540	100	1.75	1.75	6.25
LBX2540	100	1.75	1.75	6.25

\*\*El tiempo de duración de carga es aproximado; la duración de carga real puede variar.

### PROCEDIMIENTO DE CARGA

Los cargadores BLACK+DECKER están diseñados para cargar paquetes de baterías BLACK+DECKER: LCS36 (2 horas), LCS436 (6 horas).

1. Enchufe el cargador en un tomacorriente adecuado antes de insertar el paquete de baterías.

2. Introduzca el paquete de baterías en el cargador.

3. El indicador LED verde destellará indicando que la batería se está cargando.


4. La batería está completamente cargada cuando el indicador LED verde permanece encendido continuamente. El paquete está completamente cargado y puede utilizarse en este momento o dejarse en el cargador.

**Después del uso, recargue las baterías descargadas a la brevedad posible o de lo contrario la vida útil de las baterías podría acortarse en gran medida.**


## DIAGNÓSTICO DEL CARGADOR

Este cargador está diseñado para detectar ciertos problemas que pueden surgir con los paquetes de baterías o el cargador. Los problemas se indican mediante el indicador LED ámbar, que destella en diferentes patrones.

### BATERÍA DAÑADA

 El cargador puede detectar una batería débil o dañada. El indicador LED destellará en el patrón indicado en la etiqueta. Si observa este patrón de destello de batería dañada, no continúe cargando la batería. Devuélvala a un centro de mantenimiento o a un lugar de recolección para reciclado.

### RETRASO POR PAQUETE CALIENTE/FRÍO

 Cuando el cargador detecta que la batería está excesivamente caliente o fría, comienza un Retraso por paquete caliente/frío, y suspende la carga hasta que la batería se haya normalizado. Después que ocurra esto, el cargador cambia automáticamente al modo de Paquete cargando. Esta función garantiza la duración máxima de la batería. El indicador LED rojo destellará en un patrón indicado en la etiqueta cuando detecte el retraso por paquete caliente / frío.

### DEJAR EL PAQUETE DE BATERÍAS EN EL CARGADOR

El cargador y el paquete de baterías se pueden dejar conectados con la luz verde encendida indefinidamente. El cargador mantendrá el paquete de baterías como nuevo y completamente cargado.

### NOTAS IMPORTANTES SOBRE LA CARGA

1. Se puede obtener una mayor duración y óptimo rendimiento si se carga el paquete de baterías cuando la temperatura del aire está entre los 16°C y los 27°C (60°F y 80°F). NO cargue el paquete de batería con una temperatura ambiental por debajo de +4,5 °C (+40 °F) o por encima de +40,5 °C (+105 °F). Esto es importante y evitará daños graves en el paquete de baterías.
2. El cargador y el paquete de baterías pueden estar calientes al tacto durante la carga. Esto es una condición normal y no indica un problema. Para facilitar el enfriado del paquete de baterías después de su uso, evite colocar el cargador o el paquete de baterías en un ambiente cálido, como debajo de un toldo de metal o en un remolque

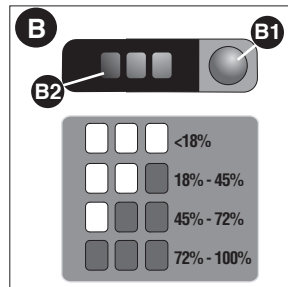
sin aislamiento.

3. Si el paquete de baterías no se carga adecuadamente:
  - a. Revise el tomacorriente enchufando una lámpara u otro aparato
  - b. Verifique si el tomacorriente está conectado a un interruptor que corta la energía cuando usted apaga la luz.
  - c. Mueva el cargador y el paquete de baterías a un lugar donde la temperatura ambiental sea alrededor de 16 °C a 27 °C (60 °F a 80 °F).
  - d. Si los problemas de carga persisten, lleve la herramienta, el paquete de baterías y el cargador al centro de mantenimiento local.
4. Se debe recargar el paquete de baterías cuando no produce energía suficiente para tareas que previamente realizaba con facilidad. NO CONTINUE utilizando la herramienta en estas condiciones. Siga el procedimiento de carga. También se puede cargar un paquete de baterías parcialmente agotado cuando se desee, sin ningún efecto negativo sobre éstas.
5. Se deben mantener lejos de las cavidades del cargador los materiales extraños de naturaleza conductora, entre los que se incluyen la lana de acero, el papel de aluminio o cualquier acumulación de partículas metálicas. Siempre desenchufe el cargador del tomacorriente cuando no haya un paquete de baterías en la cavidad. Desenchufe el cargador antes de intentar limpiarlo.
6. No congele ni sumerja el cargador en agua ni en ningún otro líquido.

**⚠️ ADVERTENCIA: Riesgo de descarga eléctrica.** No permita que ningún líquido entre en el cargador. *Nunca intente abrir el paquete de baterías por ningún motivo. Si la cubierta protectora de plástico del paquete de baterías se rompe o agrieta, devuélvala a un centro de mantenimiento para su reciclado.*

### INDICADOR DEL ESTADO DE LA CARGA (FIGURA B)

La batería está equipada con un indicador de estado de la carga. Esto se puede utilizar para visualizar el nivel actual de carga de la batería durante el uso y durante la carga. No indica el nivel de funcionalidad de la herramienta y puede variar de acuerdo a las piezas del producto, la temperatura y la aplicación que el usuario le dé.



## VERIFICACIÓN DEL ESTADO DE CARGA DURANTE EL USO:

- Oprima el botón del indicador de estado de la carga (B1).
- Los cuatro LED (B2) se encenderán para indicar el porcentaje de carga de la batería. Consulte el recuadro en la Figura B.
- Si la luz LED no enciende, cargue la batería.

## INSTALACIÓN Y EXTRACCIÓN DEL PAQUETE DE BATERÍAS

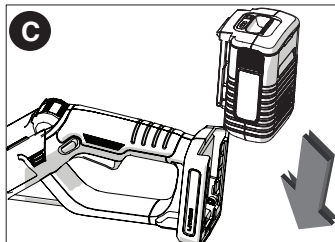
**⚠ADVERTENCIA:** Asegúrese de que el botón de bloqueo esté accionado para evitar el accionamiento del interruptor antes de quitar o instalar la batería.

### PARA INSTALAR EL PAQUETE DE BATERÍAS:

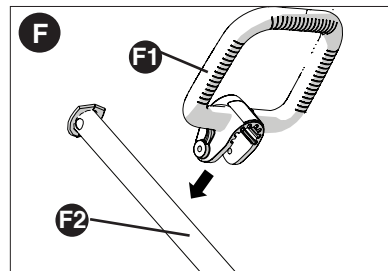
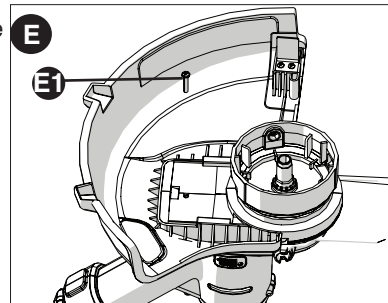
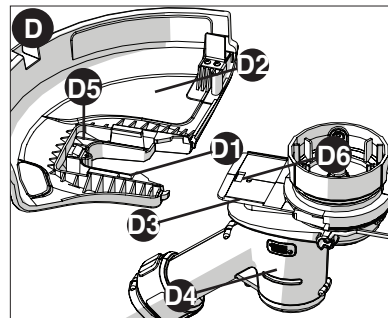
Inserte el paquete de baterías en la herramienta hasta que esté completamente asentado y se oiga un clic (**Figura C**). Asegúrese de que el paquete de baterías esté bien colocado y completamente asegurado en su lugar.

**PARA QUITAR EL PAQUETE DE BATERÍAS:** Oprima el botón de liberación de la batería en la parte posterior del paquete de baterías y extraiga el paquete de baterías de la herramienta.

**⚠ADVERTENCIA:** Antes del ensamblaje, asegúrese de que la herramienta esté apagada y se haya quitado la batería.



- Quite el tornillo del protector.
- Mientras mantiene el protector alineado con el cabezal de la podadora, deslícelo a su posición hasta que la lengüeta de retención encaje y haga clic en su lugar (asegúrese de que los rieles guía (D1) del protector (D2) estén correctamente alineados con los rieles guía (D3) del cabezal de la podadora (D4) (Figura D). La lengüeta de bloqueo (D5) debe encajar en la ranura de la caja (D6).
- Fije el protector con el tornillo (E1) (Figura E).



## ENSAMBLAJE

### HERRAMIENTAS NECESARIAS PARA EL ENSAMBLAJE (NO SUMINISTRADAS):

- Destornillador Phillips

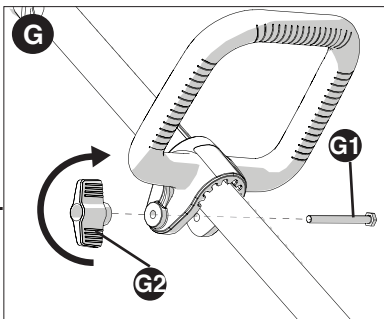
**⚠ADVERTENCIA:** Quite la batería antes de intentar la instalación de cualquiera de los siguientes componentes.

### INSTALACIÓN DEL PROTECTOR (FIGURAS D Y E)

**⚠ADVERTENCIA:** NUNCA OPERE LA HERRAMIENTA SIN EL PROTECTOR ADECUADAMENTE INSTALADO. El protector siempre debe estar correctamente instalado en la herramienta para proteger al usuario.

## INSTALACIÓN DEL MANGO AUXILIAR (FIGURAS F Y G)

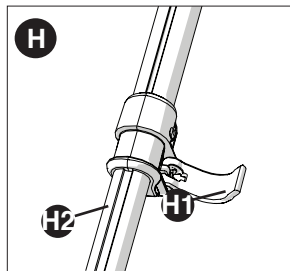
- Empuje el mango auxiliar (F1) sobre el tubo (F2).
- Inserte el perno (G1) por los orificios del mango auxiliar.
- Ajuste la perilla (G2) en el perno girándolo en el sentido de las agujas del reloj.



## AJUSTE DE LA POSICIÓN DEL MANGO AUXILIAR (FIG. G)

El mango auxiliar se puede ajustar para proporcionar óptimo equilibrio y comodidad.

- Afloje la perilla del perno girándola en sentido contrario a las agujas del reloj.
- Deslice suavemente el mango auxiliar hacia arriba o hacia abajo por el tubo hasta la altura deseada.
- Ajuste la perilla en el perno girándola en el sentido de las agujas del reloj.



## AJUSTE DE LA ALTURA DE LA HERRAMIENTA (FIGURA H)

**⚠PRECAUCIÓN:** Ajuste la longitud de la recortadora para obtener puestos de trabajo adecuados, como se muestra en la **figura J**.

- Esta herramienta posee un mecanismo telescópico, que le permite ajustarla a una altura cómoda.
- Para ajustar la configuración de altura:
  - Suelte la abrazadera de bloqueo de ajuste de altura (H1).
  - Mueva suavemente del tubo (H2) hacia arriba o hacia abajo hasta alcanzar la altura deseada.
  - Cierre la abrazadera de bloqueo de ajuste de altura (H1).

## LIBERACIÓN DE LA CUERDA DE CORTE

Al despacharse de la fábrica, la cuerda de corte está sujeta con cinta a la cubierta del carrete.

- Quite la cinta que sujeta la cuerda de corte a la cubierta del carrete.

## INSTRUCCIONES DE OPERACIÓN

**⚠ADVERTENCIA:** Siempre utilice protección adecuada para los ojos que cumple con la norma ANSI Z87.1 (CAN/CSA Z94.3) mientras opera esta herramienta eléctrica.

**⚠ADVERTENCIA:** Antes de realizar cualquier ensamblaje, ajuste o cambio de accesorios, desconecte el enchufe de la fuente de alimentación. Dichas medidas de seguridad preventiva reducen el riesgo de encender la herramienta en forma accidentada.

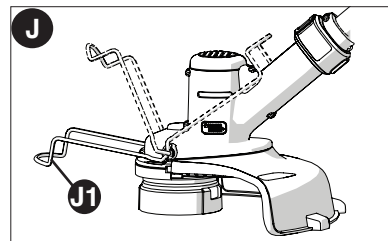
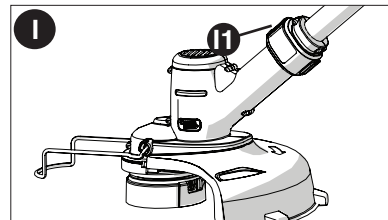
**⚠PRECAUCIÓN:** Antes de comenzar a podar, asegúrese de utilizar únicamente el tipo adecuado de cuerda de corte.

### ⚠PRECAUCIÓN:

Inspeccione el área que va a podar y saque los alambres, cables u objetos similares a un cordel, que podrían enredarse en la cuerda giratoria o el carrete. Tenga especial precaución a fin de evitar cables que estén doblados hacia afuera en el trayecto de la herramienta, como las púas en la base de una valla de tela metálica.

## AJUSTE DE LA HERRAMIENTA EN MODO DE PODA O BORDEADO (FIGURAS I, J Y K)

- La herramienta se puede utilizar en modo de poda como se muestra en la Figura I o en modo de bordeado para cortar césped que



sobresale a lo largo de los bordes del prado y de macizos de flores como se muestra en la Figura K.

### MODO DE PODA

Para podar, el cabezal de la podadora debe estar en la posición que se muestra en la Figura I. Si no es así:

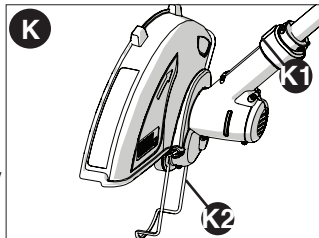
- Quite la batería de la herramienta.
- Mantenga oprimido el botón de liberación del cabezal (I1).
- Mientras sostiene el mango auxiliar, gire el cabezal en el sentido de las agujas del reloj.
- Suelte el botón de liberación del cabezal.
- Levante la guía de borde (J1) a la posición cerrada.

Nota: El cabezal girará únicamente en una dirección.

**⚠ATENCIÓN:** La guía de alambre para bordes debe utilizarse únicamente cuando está en modo de bordeado. Mantenga la guía de borde de alambre en la posición retraída.

### MODO DE BORDEADO (FIGURA K)

**⚠ADVERTENCIA:** Cuando se utiliza como un Edger, piedras, trozos de metal y otros objetos que pueden ser lanzados a gran velocidad por la línea. El corte y la protección están diseñados para reducir el peligro. Sin embargo, asegúrese de que las demás personas y los animales domésticos por lo menos 30m (100 pies) de distancia.



Para bordear, el cabezal de la podadora debe estar en la posición que se muestra en la Figura K. Si no es así:

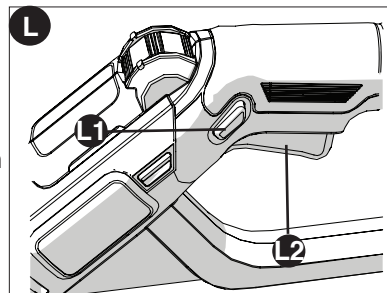
- Quite la batería de la herramienta.
- Mantenga oprimido el botón de liberación del cabezal (K1).
- Mientras sostiene el mango auxiliar, gire el cabezal en sentido contrario a las agujas del reloj.
- Suelte el botón de liberación del cabezal.
- Baje la guía de borde (K2) a la posición abierta. Asegúrese de que la guía de borde esté completamente abajo (se oír un clic).

Nota: El cabezal girará únicamente en una dirección.

Nota: Es posible que el sistema de avance automático no funcione correctamente si no se utiliza la guía de borde.

### ENCENDIDO Y APAGADO

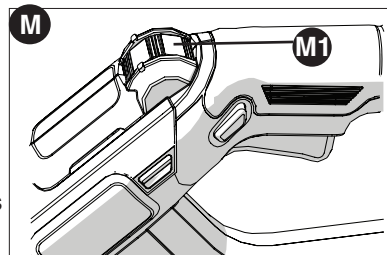
- Para encender la herramienta, mantenga oprimido el botón de bloqueo en apagado (L1) y luego oprima el gatillo (L2). Una vez que la herramienta esté funcionando puede soltar el botón de bloqueo en apagado (L1).
- Para apagar la herramienta, suelte el gatillo.



**⚠ADVERTENCIA:** Nunca intente bloquear el gatillo en la posición de encendido.

### MÁXIMA POTENCIA/MÁXIMO TIEMPO DE FUNCIONAMIENTO

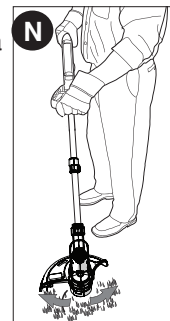
La característica de máxima potencia/máximo tiempo de funcionamiento (M1) se encuentra en el mango de la herramienta. Esta le permite optimizar el rendimiento de las herramientas y aumentar la potencia según sea necesario.

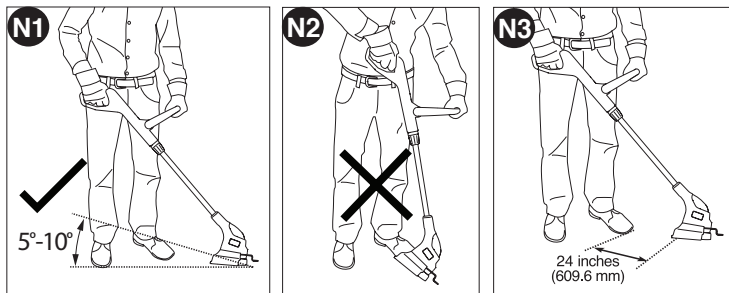


- Para elegir máxima potencia a fin de encargarse de malezas gruesas, gire el dial a la posición 6.
- Para elegir máximo tiempo de funcionamiento a fin de aumentar la vida útil de la batería, gire el dial a la posición 1.
- Para una combinación de ambas opciones, gire el dial a las posiciones de 2 a 5.

### FUNCIONAMIENTO DE LA PODADORA

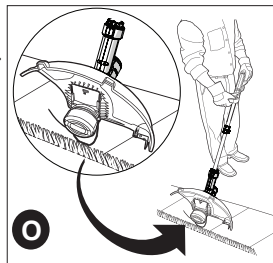
- Sostenga la herramienta como se muestra en la Figura N.
- Mantenga un ángulo de corte de 5 a 10 grados como se muestra en la Figura N1. No exceda los 10 grados (Figura N2). Corte con la punta de la cuerda. Para mantener cierta distancia de





las superficies duras, utilice la guía de borde (7). Hale la guía hacia afuera hasta que encaje firmemente en su lugar produciendo un chasquido.

- Mantenga una distancia mínima de 609,6 mm (24 pulgadas) entre el protector y sus pies como se muestra en la Figura N3. Para lograr esta distancia, ajuste la altura general de la podadora como se muestra en la Figura G.



### BORDEADO

Los resultados óptimos de corte se obtienen en bordes de más de 50 mm (2 pulgadas) de profundidad.

- No utilice la herramienta para crear bordes.
- Guíe la herramienta como se muestra en la Figura O.
- Para hacer un corte más a ras, incline levemente la herramienta.

### CONSEJOS ÚTILES PARA CORTAR

- Utilice la punta de la cuerda para realizar el corte; no empuje el cabezal de la cuerda contra el césped sin cortar. Para lograr trabajos de calidad, utilice la guía de borde a lo largo de elementos como cercos, casas y canteros.
- Los cercos de alambre y de estacas provocan un mayor desgaste de la cuerda e incluso su rotura. Los muros de piedra y ladrillo, las cunetas y la madera pueden desgastar la cuerda rápidamente.

- No permita que la tapa del carrete se arrastre sobre el suelo u otras superficies.
- En crecimientos largos, corte desde arriba hacia abajo y no exceda una altura de 304,8 mm (12 pulgadas).
- Mantenga la podadora inclinada hacia el área que se corta; ésta es la mejor área de corte.
- La podadora corta al mover la unidad de derecha a izquierda. Esto evitará que se arrojen restos al usuario.
- Evite árboles y arbustos. La cuerda fácilmente puede dañar la corteza de árboles, las molduras de madera, los revestimientos exteriores y los pilares de cercos.

### CUERDA DE CORTE/ALIMENTACIÓN DE LA CUERDA

Su podadora utiliza una cuerda de nailon REDONDA de 1,7 mm (0,065 pulgada) de diámetro. Durante el uso, las puntas de las cuerdas de nailon se deshilarán y desgastarán, y el carrete especial de autoalimentación alimentará y recortará automáticamente un nuevo trozo de cuerda. No golpee la unidad contra el suelo para intentar alimentar la cuerda ni por algún otro motivo. La cuerda de corte se desgastará más rápido y necesitará más alimentación si el corte o el bordeado se realizan a lo largo de aceras u otras superficies abrasivas, o si se cortan malezas más espesas.

## ACCESORIOS DE REPUESTO

**⚠ATENCIÓN:** Antes de comenzar a podar, asegúrese de utilizar únicamente el tipo apropiado de cuerda de corte.

Utilice el carrete de repuesto de BLACK+DECKER modelo N.º AF-100. Recargue la cuerda de nailon (a granel o en carrete de repuesto pre-enrollado) como se muestra en este manual.

- UTILICE ÚNICAMENTE CUERDA DE MONOFILAMENTO REDONDO DE NAILON DE 1,7 mm (0,065 pulgada) DE DIÁMETRO. No utilice cuerdas dentadas o de mayor calibre ya que sobrecargarán el motor y provocarán sobrecalentamiento. Puede conseguir esta cuerda a través de su distribuidor local o

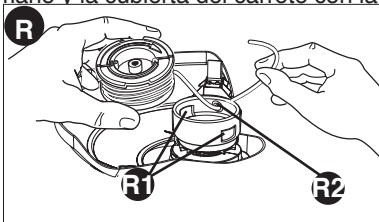
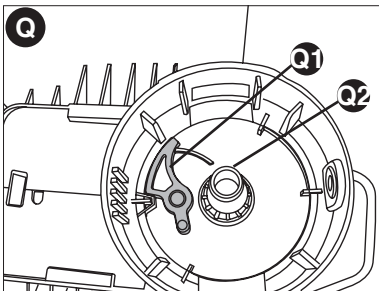
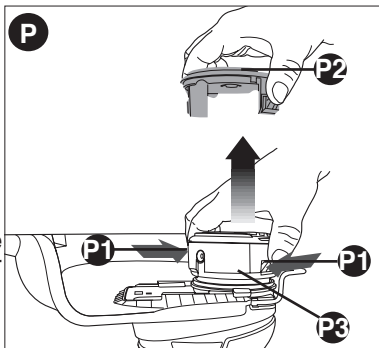
centro de mantenimiento autorizado.

- Otras piezas de repuesto (protectores, tapas de carrete, etc.) están disponibles en los centros de mantenimiento de BLACK+DECKER. Para encontrar su centro de mantenimiento local llame al: 1-800-544-6986 o visite [www.blackanddecker.com](http://www.blackanddecker.com).

**⚠ADVERTENCIA:** El uso de accesorios no recomendados por BLACK+DECKER para esta herramienta puede ser peligroso.

## REEMPLAZO DEL CARRETE (FIGURAS P, Q Y R)

- Quite la batería de la herramienta.
- Oprima las lengüetas (P1) y quite la tapa del carrete (P2) de la cubierta del carrete (P3) en el cabezal de la podadora (Figura P).
- Para obtener óptimos resultados, reemplace el carrete con el modelo N.º AF-100 de BLACK+DECKER.
- Sujete el carrete vacío con una mano y la cubierta del carrete con la otra y tire de éste para quitarlo.
- Si la palanca (Q1) de la base de la cubierta se desprende, vuelva a ponerla en la posición correcta antes de insertar el nuevo carrete en la cubierta.
- Elimine toda la tierra, suciedad o césped del carrete



y la cubierta.

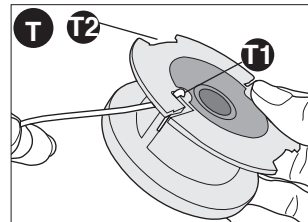
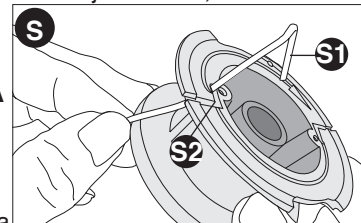
- Afloje el extremo de la cuerda de corte e introduzca la cuerda en el orificio (R2) **Figura R**.
- Tome el carrete nuevo y empújelo sobre el soporte y ligeramente hasta que esté bien colocado. La cuerda debe sobresalir aproximadamente 122 mm (4-13/16 pulgadas) desde la cubierta.
- Alinee las lengüetas de la tapa del carrete con las ranuras (R1) en la cubierta (**Figura R**).
- Empuje la tapa dentro de la cubierta hasta que encaje firmemente en su lugar produciendo un chasquido.

**⚠ATENCIÓN:** Para evitar que se dañe la herramienta, si la cuerda de corte sobresale más allá de la hoja de corte, recórtela de manera que llegue sólo hasta la hoja.

## REBOBINADO DEL CARRETE (UTILICE ÚNICAMENTE CUERDA REDONDA DE 1,7 MM [0,0065 PULGADA] DE DIÁMETRO) (FIGURAS S, T Y U)

NOTA: Es más probable que los carretes enrollados a mano con una cuerda a granel se enreden con mayor frecuencia que los carretes de BLACK+DECKER enrollados de fábrica. Para obtener mejores resultados, se recomiendan los carretes enrollados de fábrica. Para rebobinar la cuerda, siga los pasos a continuación:

- Quite la batería de la herramienta.
- Quite el carrete vacío de la herramienta como se describe en "REEMPLAZO DEL CARRETE".





## DETECCION DE PROBLEMAS

### PROBLEMA

La herramienta funciona lentamente.

### SOLUCIÓN

- Extraiga la batería de la herramienta.
- Verifique que la cubierta del carrete pueda girar libremente. Si es necesario, límpiela cuidadosamente.
- Verifique que la cuerda de corte no sobresalga más de 122 mm (4-13/16 pulgadas) del carrete aproximadamente. Si sobresale más, corte el excedente de manera que esté a la altura de la cuerda de la hoja de corte.

La alimentación automática de cuerda no alimenta más cuerda.

- Se alimenta más cuerda cuando ésta se acorta a aproximadamente 76,2 mm (3 pulgadas). Para determinar si la cuerda no se está alimentando, permita que la misma se desgaste más allá de este punto.
- Extraiga la batería de la herramienta.
- Retire la tapa del carrete.
- Tire de la cuerda de corte hasta que sobresalga 122 mm (4-13/16 pulgadas) del carrete. Si la cuerda de corte que queda en el carrete es insuficiente, instale un nuevo carrete de cuerda de corte.
- Asegúrese de que la cuerda no se haya entrecruzado con el carrete como se detalla en la figura 18. Si se ha entrecruzado, desenrolle la cuerda de corte y nuevamente enrolle la cuerda prolijamente en el carrete de manera que las cuerdas no se entrecrucen.
- Alinee las lengüetas en la tapa del

### PROBLEMA

La alimentación automática de cuerda no alimenta más cuerda.

### SOLUCIÓN

- carrete con las muescas de la cubierta.
- Empuje el carrete dentro de la cubierta hasta que encaje firmemente en su lugar.
- Inspeccione si los surcos en la base del carrete presentan daños. Si están dañados, reemplace el carrete.
- Lea el código que se encuentra en la parte posterior del carrete. Si aparece "PA66", llame a atención al cliente para obtener un repuesto. Si aparece "ABS", éste no es el problema.
- Si la cuerda de corte sobresale más allá de la hoja de corte, corte el excedente de manera que esté a la altura de la hoja. Si la alimentación automática de la cuerda aún no funciona o el carrete está atascado, haga lo siguiente:
  - Limpie cuidadosamente el carrete y la cubierta.
  - Retire el carrete y verifique si la palanca en la cubierta se puede mover libremente.
  - Retire el carrete y desenrolle la cuerda de corte, para luego volver a enrollarla prolijamente. Reemplace el carrete de la cubierta.

Sobrealimentación

- Asegúrese de estar cortando con la punta de la cuerda [177,8 mm (7 pulgadas) desde el carrete]. Si es necesario, utilice la guía de borde para mantener la distancia correcta.
- Asegúrese de no exceder un ángulo de 10 grados como se muestra en la Figura N1.

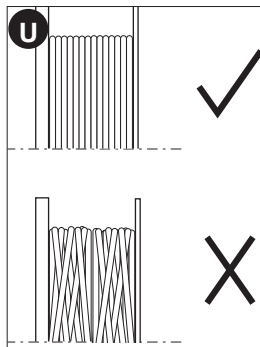
## PROBLEMA

La cuerda se desenrolla al quitar la tapa o el carrete

## SOLUCIÓN

• Antes de quitar la cuerda, asegúrese de sujetarla en las ranuras de retención (S2) (Figura S).

- Elimine cualquier resto de cuerda de corte del carrete.
- Pliegue el extremo de la cuerda de corte unos 19 mm (3/4 pulgada) (S1). Introduzca la cuerda de corte dentro de una de las ranuras de anclaje para la cuerda (S2) como se muestra en la **Figura S**.
- Inserte el extremo de 19 mm (3/4 pulgada) de la cuerda a granel en el orificio (T1) del carrete adyacente a la ranura como se muestra en la Figura T. Asegúrese de que la línea se tensa contra el carrete como se muestra en la **figura T**.



- Enrolle la cuerda de corte en el carrete en la dirección de la flecha del carrete. Asegúrese de enrollar la cuerda con nitidez y en capas. No la entrecruce (**Figura U**).
- Cuando la cuerda de corte enrollada llegue a los huecos (T2), corte la cuerda (Figura T).
- Coloque el carrete en la herramienta como se describe en “REEMPLAZO DEL CARRETE”.

**⚠️ ADVERTENCIA:** Para evitar lesiones graves, apague y desenchufe la herramienta antes de realizar cualquier tipo de mantenimiento.

1. Mantenga limpias las ranuras de admisión de aire para evitar el sobrecalentamiento.
2. La cuerda de la podadora puede secarse con el tiempo. Para conservar la cuerda en óptimas condiciones, guarde los carretes pre-enrollados de repuesto o la cuerda en paquete en una bolsa sellada de plástico con una cucharada de agua.

3. Las piezas de plástico pueden limpiarse utilizando jabón suave y un paño húmedo.
4. La cortadora de cuerda en el extremo del protector puede perder filo con el tiempo. Se recomienda mantener periódicamente el filo de la hoja con una lima.

**IMPORTANTE:** Para garantizar la SEGURIDAD y la CONFIABILIDAD del producto, las reparaciones, el mantenimiento y el ajuste deben realizarse en los centros de mantenimiento autorizados o en otras organizaciones de mantenimiento calificadas, utilizando siempre piezas de repuesto idénticas.



## INFORMACIÓN DE MANTENIMIENTO

Todos los Centros de servicio de BLACK+DECKER cuentan con personal altamente capacitado dispuesto a brindar a todos los clientes un servicio eficiente y confiable en la reparación de herramientas eléctricas. Si necesita consejo técnico, reparaciones o piezas de repuesto originales de fábrica, póngase en contacto con el centro de servicio de BLACK+DECKER más cercano a su domicilio. Para ubicar su centro de servicio local, llame al 1-800-544-6986 o visite nuestro sitio [www.blackanddecker.com](http://www.blackanddecker.com).

**EL SELLO RBRC™** El sello RBRC™ (Corporación de reciclado de baterías recargables) que se encuentra en la batería de iones de litio (o paquete de baterías) indica que los costos de reciclar la batería (o el paquete de baterías) al final de su vida útil ya fueron pagados por BLACK+DECKER. RBRC™ en cooperación con BLACK+DECKER y otros usuarios de baterías, ha establecido programas en los Estados Unidos para facilitar la recolección de baterías de iones de litio agotadas. Ayude a proteger nuestro medio ambiente y a conservar los recursos naturales: devuelva las baterías de iones de litio agotadas a un centro de mantenimiento autorizado de BLACK+DECKER o a un comerciante minorista local para que se reciclen. También puede comunicarse con el centro local de reciclado para obtener información sobre dónde dejar las baterías agotadas. RBRC™ es una marca comercial registrada de la Corporación de reciclado de baterías recargables. Este aparato digital Clase B cumple con la norma canadiense ICES-003. Este mecanismo cumple con la parte 15 de las normas de la Comisión Federal de Comunicaciones de Estados Unidos

(FCC). La operación está sujeta a las dos condiciones siguientes: (1) Este mecanismo posiblemente no cause interferencia perjudicial; y (2) este mecanismo puede aceptar cualquier interferencia recibida, incluso interferencia que podría provocar una operación no deseada. **NOTA:** Este equipo ha sido probado y se encontró que cumple con los límites para dispositivo digital Clase B, según la parte 15 de las normas de la FCC. Estos límites están diseñados para brindar protección razonable contra interferencia perjudicial en una instalación residencial. Este equipo genera, usa y puede irradiar energía en frecuencia de radio y, si no se instala y se usa de acuerdo con las instrucciones, puede provocar interferencia perjudicial en las comunicaciones de radio. Sin embargo, no hay garantía de que la interferencia no ocurra en una instalación en particular. Si este equipo provoca interferencia perjudicial en la recepción de radio o televisión, lo que se puede determinar al apagar y encender el equipo, el usuario debe tratar de corregir la interferencia mediante una o más de las siguientes medidas:

- Cambiar la orientación o la ubicación de la antena de recepción.
- Aumentar la separación entre el equipo y el receptor.
- Conectar el equipo a un tomacorriente sobre un circuito diferente de aquel al que está conectado el receptor.
- Consultar al vendedor o pedir la ayuda de un técnico en radio y televisión con experiencia.

Los cambios o las modificaciones que se le realicen a esta unidad sin aprobación expresa del tercero responsable del cumplimiento pueden anular la autorización del usuario para operar el equipo. Este aparato digital de la clase B se conforma con ICES-003 canadiense.

#### LIMPIEZA Y GUARDADO

### **PRECAUCIÓN: NO VACÍE O ROCÍE AGUA EN LA HERRAMIENTA.**

Utilice únicamente jabón suave y un trapo húmedo para limpiar la herramienta. Nunca permita que se introduzcan líquidos en la herramienta; nunca sumerja ninguna parte de la herramienta en ningún líquido. Su barredor debe guardarse en un lugar seco. No guarde la herramienta sobre fertilizantes o productos químicos ni junto a ellos. Dicho almacenamiento puede ocasionarle una rápida corrosión a las partes metálicas.

## GARANTÍA LIMITADA DE TRES AÑOS

Black & Decker (U.S.) Inc. garantiza que este producto está libre de

defectos de material o mano de obra durante un período de tres (3) años desde la fecha de compra, siempre y cuando el producto se utilice en un entorno doméstico. Esta garantía limitada no cubre contra fallas debidas a mal uso, daño accidental o cuando se han realizado o intentado reparaciones por parte de cualquier otra persona ajena a BLACK+DECKER y sus centros de mantenimiento autorizados. Un producto defectuoso que cumple con las condiciones de la garantía establecidas en el presente documento será reemplazado o reparado sin costo de una dos maneras: La primera, que únicamente dará lugar a intercambios, consiste en devolver el producto al comerciante minorista donde fue comprado (siempre y cuando la tienda sea un comerciante minorista participante). Las devoluciones deben realizarse dentro del período establecido en la política para intercambios del comerciante minorista. Es posible que se requiera el comprobante de compra. Consulte al comerciante minorista sobre su política específica de devoluciones con respecto a los límites de tiempo para devoluciones o intercambios. La segunda opción es llevar o enviar (pagado por adelantado) el producto a un centro de mantenimiento de propiedad o con autorización de BLACK+DECKER para su reparación o reemplazo a discreción de BLACK+DECKER. Es posible que se requiera un comprobante de compra. Los centros de mantenimiento de propiedad o con autorización de BLACK+DECKER en línea en [www.blackanddecker.com](http://www.blackanddecker.com). Esta garantía no se aplica a los accesorios. Esta garantía le otorga derechos legales específicos y es posible que tenga otros derechos que varían de un estado a otro. En caso de que tenga alguna pregunta, comuníquese con el gerente del centro de mantenimiento de BLACK+DECKER más cercano a usted. Este producto no está diseñado para uso comercial y, en consecuencia, dicho uso comercial de este producto anulará la garantía. Por medio del presente documento, se declina la responsabilidad de todas las demás garantías, explícitas o implícitas. **AMÉRICA LATINA:** Esta garantía no se aplica a productos vendidos en América Latina. Para los productos que se venden en América Latina, consulte la información de garantía específica del país contenida en el empaque, llame a la compañía local o visite el sitio web para obtener dicha información.

## SOLAMENTE PARA PROPOSITOS DE MEXICO

### **Grupo Realsa en herramientas, S.A. de C.V.**

Súper Manzana 69 MZ.01 Lote 30  
(Av. Torcasita)  
Col. Puerto Juárez  
Cancún, Quintana Roo  
Tel. 01 998 884 72 27

### **Ferre Pat de Puebla, S.A. de C.V.**

16 de Septiembre No. 6149  
Col. El Cerrito  
Puebla, Puebla  
Tel. 01 222 264 12 12

### **Ferre Pat de Puebla, S.A. de C.V.**

Ejército Mexicano No. 15  
Col. Ejido 1ro. de Mayo  
Boca del Río, Veracruz  
Tel. 01 229 167 89 89

### **Servicio de Fabrica BLACK+DECKER, S.A. de C.V.**

Lázaro Cardenas No. 18  
Col. Obrera  
Distrito Federal  
Tel. 55 88 95 02

### **Representaciones Industriales Robles, S.A. de C.V.**

Tezozomoc No. 89  
Col. La Preciosa  
Distrito Federal  
Tel. 55 61 86 82

### **Gpo. Comercial de Htas. y Refacciones de Occidente, S.A. de C.V.**

Av. La Paz No. 1779  
Col. Americana, S. Juaréz  
Guadalajara, Jalisco  
Tel. 01 33 38 25 69 78

### **Herramientas y Equipos Profesionales**

Av. Colón 2915 Ote.  
Col. Francisco I. Madero  
Monterrey, Nvo. León  
Tel. 01 81 83 54 60 06

### **Htas. Portátiles de Chihuahua, S.A. de C.V.**

Av. Universidad No. 2903  
Col. Fracc. Universidad  
Chihuahua, Chihuahua  
Tel. 01 614 413 64 04

### **Fernando González Armenta**

Bolivia No. 605  
Col. Felipe Carrillo Puerto  
Cd. Madero, Tampico  
Tel. 01 833 221 34 50

### **Perfiles y Herramientas de Morelia**

Gertrudis Bocanegra No. 898  
Col. Ventura Puente  
Morelia, Michoacán  
Tel. 01 443 313 85 50

### **Enrique Robles**

Av. de la Solidaridad No. 12713  
Col. La Pradera  
Irapuato, Guanajuato  
Tel. 01 462 626 67 39

### **Hernández Martínez Jeanette**

Prolongación Corregidora Nte. No. 1104  
Col. Arboledas  
Queretaro, Qro.  
Tel. 01 442 245 25 80

## **PARA OTRAS LOCALIDADES LLAME AL 01 800 847 2309 o 01 800 847 2312.**

BLACK&DECKER S.A. DE C.V.  
BOSQUES DE CIDROS ACCESO RADIATAS NO. 42  
COL. BOSQUES DE LAS LOMAS.  
05120 MÉXICO, D.F  
TEL. (01 55) 5326 7100 01 800 847 2309/01 800 847 2312

Cat. No. LST136

Form No. 90629223

August 2015

Copyright© 2015 BLACK+DECKER

Printed in China