

*If you have questions or comments, contact us.  
Pour toute question ou tout commentaire, nous contacter.  
Si tiene dudas o comentarios, contáctenos.*

**1-800-4-DEWALT • [www.dewalt.com](http://www.dewalt.com)**

**INSTRUCTION MANUAL  
GUIDE D'UTILISATION  
MANUAL DE INSTRUCCIONES**

INSTRUCTIVO DE OPERACIÓN, CENTROS DE SERVICIO Y PÓLIZA DE GARANTÍA. **ADVERTENCIA:** LÉASE ESTE INSTRUCTIVO ANTES DE USAR EL PRODUCTO.

---

# DEWALT®

---

**DCR006**

**12V/20V Max\* Wireless Bluetooth® Speaker**

**Haut-parleur Bluetooth<sup>MD</sup> sans fil, 12 V /20 V max\***

**Altavoz inalámbrico de Bluetooth® de 12V/20V Máx\***



Page dimensions: 8.5 x 5.5 inches

### Definitions: Safety Guidelines

The definitions below describe the level of severity for each signal word. Please read the manual and pay attention to these symbols.

**▲ DANGER:** Indicates an imminently hazardous situation which, if not avoided, **will** result in **death or serious injury**.

**▲ WARNING:** Indicates a potentially hazardous situation which, if not avoided, **could** result in **death or serious injury**.

**▲ CAUTION:** Indicates a potentially hazardous situation which, if not avoided, **may** result in **minor or moderate injury**.

**NOTICE:** Indicates a practice **not related to personal injury** which, if not avoided, **may** result in **property damage**.

IF YOU HAVE ANY QUESTIONS OR COMMENTS ABOUT THIS OR ANY DEWALT TOOL, CALL US TOLL FREE AT: **1-800-4-DEWALT (1-800-433-9258)**.



**WARNING:** To reduce the risk of injury, read the instruction manual.

### General Safety Warnings



**WARNING! Read all safety warnings and all instructions.** Failure to follow the warnings and instructions may result in electric shock, fire and/or serious injury.

**SAVE ALL WARNINGS AND INSTRUCTIONS FOR FUTURE REFERENCE**

### Important Safety Instructions

1. Read these instructions.
2. Keep these instructions.
3. Heed all warnings.
4. Follow all instructions.
5. Do not use this apparatus near water.
6. Clean only with a dry cloth.
7. Do not block any ventilation openings. Install in accordance with the manufacturer's instructions.
8. Do not install near any heat sources such as radiators, heat registers, stoves or other apparatus (including amplifiers) that produce heat.
9. Do not defeat the safety purpose of the polarized or grounding-type plug. A polarized plug has two blades with one wider than the other. A grounding type plug has two blades and a third grounding prong. The wide blade or the third prong are provided for your safety. If the provided plug does not fit into your outlet, consult an electrician for replacement of the obsolete outlet.
10. Protect the power cord from being walked on or pinched particularly at plugs, convenience receptacles, and the point where they exit from the apparatus.
11. Only use attachments/accessories specified by the manufacturer.
12. Unplug this apparatus during lightning storms or when unused for long periods of time.
13. Refer all servicing to qualified service personnel. Servicing is required when the apparatus has been damaged in any way, such as power-supply cord or plug is damaged, liquid has been spilled or objects have fallen into the apparatus, the apparatus

has been exposed to rain or moisture, does not operate normally, or has been dropped.

14. Apparatus shall not be exposed to dripping or splashing and no objects filled with liquids, such as vases, shall be placed on the apparatus



The lightning flash with arrow head within a triangle is intended to tell the user that parts inside the product are a risk of electric shock to persons.



The exclamation point within a triangle is intended to tell the user that important operating and servicing instructions are in the papers with the appliance.

### **Additional Safety Rules for Bluetooth® Speaker**

- **DO NOT** splash or immerse in water or other liquids.
- Please note that changes or modifications not expressly approved by the party responsible for compliance could void the user's authority to operate the equipment.

**NOTE:** The Bluetooth® word mark and logos are registered trademarks owned by the Bluetooth®, SIG, Inc. and any use of such marks by DEWALT is under license. Other trademarks and trade names are those of their respective owners.

- This Class B digital apparatus complies with Canadian ICES-003.
- This device complies with Part 15 of the FCC Rules. Operation is subject to the following two conditions:
  - 1) This device may not cause harmful interference, and
  - 2) This device must accept any interference received, including interference that may cause undesired operation.

**NOTE:** This equipment has been tested and found to comply with the limits for a Class B digital device, pursuant to Part 15 of the FCC Rules. These limits are designed to provide

reasonable protection against harmful interference in a residential installation. This equipment generates, uses and can radiate radio frequency energy and, if not installed and used in accordance with the instructions, may cause harmful interference to radio communications. However, there is no guarantee that interference will not occur in a particular installation. If this equipment does cause harmful interference to radio or television reception, which can be determined by turning the equipment off and on, the user is encouraged to try to correct the interference by one or more of the following measures:

- Reorient or relocate the receiving antenna.
- Increase the separation between the equipment and speaker.
- Connect the equipment into an outlet on a circuit different from that to which the speaker is connected.
- Consult the dealer or an experienced radio/TV technician for help.
- The label on your tool may include the following symbols. The nameplate label is located on bottom of unit. The symbols and their definitions are as follows:

V..... volts	A..... amperes
Hz..... hertz	W..... watts
min ..... minutes	~ or AC..... alternating current
== or DC... direct current	⎓ or AC/DC... alternating or direct current
Ⓛ..... Class I Construction (grounded)	Ⓜ..... Class II Construction (double insulated)
.../min ..... per minute	n <sub>o</sub> ..... no load speed
BPM..... beats per minute	n ..... rated

IPM.....	impacts per minute		speed
RPM.....	revolutions per	⊕.....	earthing
	minute		terminal
sfpM.....	surface feet	▲.....	safety alert
	per minute		symbol
SPM.....	strokes per minute		

### Important Safety Instructions for All Battery Packs

When ordering replacement battery packs, be sure to include the catalog number and voltage. Consult the chart at the end of this manual for compatibility of chargers and battery packs.

The battery pack is not fully charged out of the carton. Before using the battery pack and charger, read the safety instructions below and then follow charging procedures outlined.

#### READ ALL INSTRUCTIONS

- **Do not charge or use the battery pack in explosive atmospheres, such as in the presence of flammable liquids, gases or dust.** Inserting or removing the battery pack from the charger may ignite the dust or fumes.
- **NEVER force the battery pack into the charger. DO NOT modify the battery pack in any way to fit into a non-compatible charger as battery pack may rupture causing serious personal injury.** Consult the chart at the end of this manual for compatibility of batteries and chargers.
- Charge the battery packs only in designated DEWALT chargers.
- **DO NOT splash or immerse in water or other liquids.**
- **Do not store or use the tool and battery pack in locations where the temperature may reach or exceed 105 °F (40 °C) (such as outside sheds or metal buildings in summer).** For best life store battery packs in a cool, dry location.

**▲WARNING: Fire hazard.** Never attempt to open the battery pack for any reason. If the battery pack case is cracked or damaged, do not insert into the charger. Do not crush, drop or damage the battery pack. Do not use a battery pack or charger that has received a sharp blow, been dropped, run over or damaged in any way (e.g., pierced with a nail, hit with a hammer, stepped on). Damaged battery packs should be returned to the service center for recycling.

**▲WARNING: Fire hazard. Do not store or carry the battery pack so that metal objects can contact exposed battery terminals.** For example, do not place the battery pack in aprons, pockets, tool boxes, product kit boxes, drawers, etc., with loose nails, screws, keys, etc. **Transporting batteries can possibly cause fires if the battery terminals inadvertently come in contact with conductive materials such as keys, coins, hand tools and the like.** The US Department of Transportation Hazardous Material Regulations (HMR) actually prohibit transporting batteries in commerce or on airplanes (e.g., packed in suitcases and carry-on luggage) UNLESS they are properly protected from short circuits. So when transporting individual battery packs, make sure that the battery terminals are protected and well insulated from materials that could contact them and cause a short circuit.

#### SPECIFIC SAFETY INSTRUCTIONS FOR LITHIUM ION (Li-Ion)

- **Do not incinerate the battery pack even if it is severely damaged or is completely worn out.** The battery pack can explode in a fire. Toxic fumes and materials are created when lithium ion battery packs are burned.
- **If battery contents come into contact with the skin, immediately wash area with mild soap and water.** If battery liquid gets into the eye, rinse water over the open eye for 15 minutes or until irritation ceases. If medical attention is needed, the battery electrolyte is composed of a mixture of liquid organic carbonates and lithium salts.

- **Contents of opened battery cells may cause respiratory irritation.** Provide fresh air. If symptoms persist, seek medical attention.

**⚠WARNING:** Burn hazard. Battery liquid may be flammable if exposed to spark or flame.

### The RBRC™ Seal

The RBRC™ (Rechargeable Battery Recycling Corporation) Seal on the nickel cadmium, nickel metal hydride or lithium ion batteries (or battery packs) indicate that the costs to recycle these batteries (or battery packs) at the end of their useful life have already been paid by DEWALT. In some areas, it is illegal to place spent nickel cadmium, nickel metal hydride or lithium ion batteries in the trash or municipal solid waste stream and the RBRC program provides an environmentally conscious alternative.

RBRC™, in cooperation with DEWALT and other battery users, has established programs in the United States and Canada to facilitate the collection of spent nickel cadmium, nickel metal hydride or lithium ion batteries. Help protect our environment and conserve natural resources by returning the spent nickel cadmium, nickel metal hydride or lithium ion batteries to an authorized DEWALT service center or to your local retailer for recycling. You may also contact your local recycling center for information on where to drop off the spent battery.

RBRC™ is a registered trademark of the Rechargeable Battery Recycling Corporation.

### Important Safety Instructions for All Battery Chargers

**SAVE THESE INSTRUCTIONS:** This manual contains important safety and operating instructions for battery chargers.



- Before using the charger, read all instructions and cautionary markings on the charger, battery pack and product using the battery pack.

**⚠WARNING:** Shock hazard. Do not allow any liquid to get inside the charger. Electric shock may result.

**⚠CAUTION:** Burn hazard. To reduce the risk of injury, charge only DEWALT rechargeable battery packs. Other types of batteries may overheat and burst resulting in personal injury and property damage.

**NOTICE:** Under certain conditions, with the charger plugged into the power supply, the charger can be shorted by foreign material. Foreign materials of a conductive nature, such as, but not limited to, grinding dust, metal chips, steel wool, aluminum foil or any buildup of metallic particles should be kept away from the charger cavities. Always unplug the charger from the power supply when there is no battery pack in the cavity. Unplug the charger before attempting to clean.

**⚠WARNING:**

- **DO NOT attempt to charge the battery pack with any chargers other than the ones in this manual.** The charger and battery pack are specifically designed to work together.
- **These chargers are not intended for any uses other than charging DEWALT rechargeable batteries.** Any other uses may result in risk of fire, electric shock or electrocution.
- **Do not expose the charger to rain or snow.**
- **Pull by the plug rather than the cord when disconnecting the charger.** This will reduce the risk of damage to the electric plug and cord.
- **Make sure that the cord is located so that it will not be stepped on, tripped over or otherwise subjected to damage or stress.**
- **Do not use an extension cord unless it is absolutely necessary.** Use of improper extension cord could result in risk of fire, electric shock or electrocution.

- **When operating a charger outdoors, always provide a dry location and use an extension cord suitable for outdoor use.** Use of a cord suitable for outdoor use reduces the risk of electric shock.
- **An extension cord must have adequate wire size (AWG or American Wire Gauge) for safety.** The smaller the gauge number of the wire, the greater the capacity of the cable, that is, 16 gauge has more capacity than 18 gauge. An undersized cord will cause a drop in line voltage resulting in loss of power and overheating. When using more than one extension to make up the total length, be sure each individual extension contains at least the minimum wire size. The following table shows the correct size to use depending on cord length and nameplate ampere rating. If in doubt, use the next heavier gauge. The lower the gauge number, the heavier the cord.

Ampere Rating		Minimum Gauge for Cord Sets				
		Volts	Total Length of Cord in Feet (meters)			
			120 V	50 (7.6)	100 (15.2)	150 (30.5)
More Than	Not More Than	240 V	50 (15.2)	100 (30.5)	200 (61.0)	300 (91.4)
		AWG				
0	6		18	16	16	14
6	10		18	16	14	12
10	12		16	16	14	12
12	16		14	12	Not Recommended	

- **Do not place any object on top of the charger or place the charger on a soft surface that might block the ventilation**

**slots and result in excessive internal heat.** Place the charger in a position away from any heat source. The charger is ventilated through slots in the top and the bottom of the housing.

- **Do not operate the charger with a damaged cord or plug.**
- **Do not operate the charger if it has received a sharp blow, been dropped or otherwise damaged in any way.** Take it to an authorized service center.
- **Do not disassemble the charger; take it to an authorized service center when service or repair is required.** Incorrect reassembly may result in a risk of electric shock, electrocution or fire.
- **Disconnect the charger from the outlet before attempting any cleaning. This will reduce the risk of electric shock.** Removing the battery pack will not reduce this risk.
- **NEVER** attempt to connect 2 chargers together.
- **The charger is designed to operate on standard 120V household electrical power. Do not attempt to use it on any other voltage.** This does not apply to the vehicular charger.

### Chargers

Your speaker uses a DEWALT charger. Be sure to read all safety instructions before using your charger. Consult the chart at the end of this manual for compatibility of chargers and battery packs.

### Charging Procedure (Fig. 1)






1. Plug the charger into an appropriate outlet before inserting the battery pack.









2. Insert the battery pack (L) into the charger, as shown in Figure 1, making sure the pack is fully seated in charger. The red (charging) light will blink continuously, indicating that the charging process has started.
3. The completion of charge will be indicated by the red light remaining ON continuously. The pack is fully charged and may be used at this time or left in the charger.

### Indicator Light Operation

#### DCB101

-  **PACK CHARGING** — — — — —
-  **PACK CHARGED** —————
-  **HOT/COLD DELAY** —●—●—●—●—●
-  **PROBLEM PACK OR CHARGER** ●●●●●●●●●●
-  **PROBLEM POWERLINE** ●● ●● ●● ●● ●●

#### DCB107, DCB112

-  **PACK CHARGING** — — — — — 
-  **PACK CHARGED** ————— 
-  **HOT/COLD DELAY** — — — | ————— 

### Charge Indicators

This charger is designed to detect certain problems that can arise. Problems are indicated by the red light flashing at a fast rate. If this occurs, re-insert the battery pack into the charger. If the problem persists, try a different battery pack to determine if the charger is working properly. If the new pack charges correctly, then the original pack is defective and should be returned to a service center or other collection site for recycling. If the new battery pack elicits the same trouble indication as the original, have the charger and the battery pack tested at an authorized service center.

#### HOT/COLD DELAY DCB101

This charger has a hot/cold delay feature: when the charger detects a battery that is hot, it automatically starts a delay, suspending charging until the battery has cooled. After the battery has cooled, the charger automatically switches to the pack charging mode. This feature ensures maximum battery life. The red light flashes long, then short while in the hot/cold delay mode.

#### DCB107, DCB112

The DCB107 and DCB112 chargers have a hot/cold delay feature. When the charger detects a battery that is hot, it automatically delays charging until the battery has cooled. When the charger detects a battery that is cold, it automatically delays charging until the battery has warmed.

The red light will continue to blink, but a yellow indicator light will be illuminated during this operation. Once the battery has cooled, the yellow light will turn off and the charger will resume the charging procedure.

#### LEAVING THE BATTERY PACK IN THE CHARGER

The charger and battery pack can be left connected with the charge indicator showing Pack Charged.



**WEAK BATTERY PACKS:** Weak batteries will continue to function but should not be expected to perform as much work.

**FAULTY BATTERY PACKS:** This charger will not charge a faulty battery pack. The charger will indicate faulty battery pack by refusing to light or by displaying problem pack or charger.

**NOTE:** This could also mean a problem with a charger.

#### **PROBLEM POWER LINE (DCB101)**

Some chargers have a Problem Powerline indicator. When the charger is used with some portable power sources such as generators or sources that convert DC to AC, the charger may temporarily suspend operation, flashing the red light with two fast blinks followed by a pause. This indicates the power source is out of limits.

### **Wall Mounting**

#### **DCB107, DCB112**

These chargers are designed to be wall mountable or to sit upright on a table or work surface.

If wall mounting, locate the charger within reach of an electrical outlet. Mount the charger securely using drywall screws at least 1" (25.4 mm) long, screwed into wood to an optimal depth leaving approximately 7/32" (5.5 mm) of the screw exposed.

### **Important Charging Notes**

1. Longest life and best performance can be obtained if the battery pack is charged when the air temperature is between 65 °F and 75 °F (18°–24 °C). DO NOT charge the battery pack in an air temperature below +40 °F (+4.5 °C), or above +105 °F (+40.5 °C). This is important and will prevent serious damage to the battery pack.
2. The charger and battery pack may become warm to the touch while charging. This is a normal condition, and does not indicate a problem. To facilitate the cooling of the battery pack after use,

avoid placing the charger or battery pack in a warm environment such as in a metal shed or an uninsulated trailer.

3. A cold battery pack will charge at about half the rate of a warm battery pack. The battery pack will charge at that slower rate throughout the entire charging cycle and will not return to maximum charge rate even if the battery pack warms.
  4. If the battery pack does not charge properly:
    - a. Check operation of receptacle by plugging in a lamp or other appliance;
    - b. Check to see if receptacle is connected to a light switch which turns power off when you turn out the lights;
    - c. Move the charger and battery pack to a location where the surrounding air temperature is approximately 65 °F–75 °F (18°–24 °C);
    - d. If charging problems persist, take the apparatus, battery pack and charger to your local service center.
  5. The battery pack should be recharged when it fails to produce sufficient power on jobs which were easily done previously. DO NOT CONTINUE to use under these conditions. Follow the charging procedure. You may also charge a partially used pack whenever you desire with no adverse effect on the battery pack.
  6. Foreign materials of a conductive nature such as, but not limited to, grinding dust, metal chips, steel wool, aluminum foil, or any buildup of metallic particles should be kept away from charger cavities. Always unplug the charger from the power supply when there is no battery pack in the cavity. Unplug the charger before attempting to clean.
  7. Do not freeze or immerse the charger in water or any other liquid.
- ⚠WARNING:** Shock hazard. Don't allow any liquid to get inside the charger. Electric shock may result.

**⚠ WARNING:** Burn hazard. Do not submerge the battery pack in any liquid or allow any liquid to enter the battery pack. Never attempt to open the battery pack for any reason. If the plastic housing of the battery pack breaks or cracks, return to a service center for recycling.

### Storage Recommendations

1. The best storage place is one that is cool and dry, away from direct sunlight and excess heat or cold.
2. For long storage, it is recommended to store a fully charged battery pack in a cool dry place out of the charger for optimal results.

**NOTE:** Battery packs should not be stored completely depleted of charge. The battery pack will need to be recharged before use.

### SAVE THESE INSTRUCTIONS FOR FUTURE USE

### COMPONENTS (Fig. 2)

**⚠ WARNING:** Never modify the apparatus or any part of it. Damage or personal injury could result.

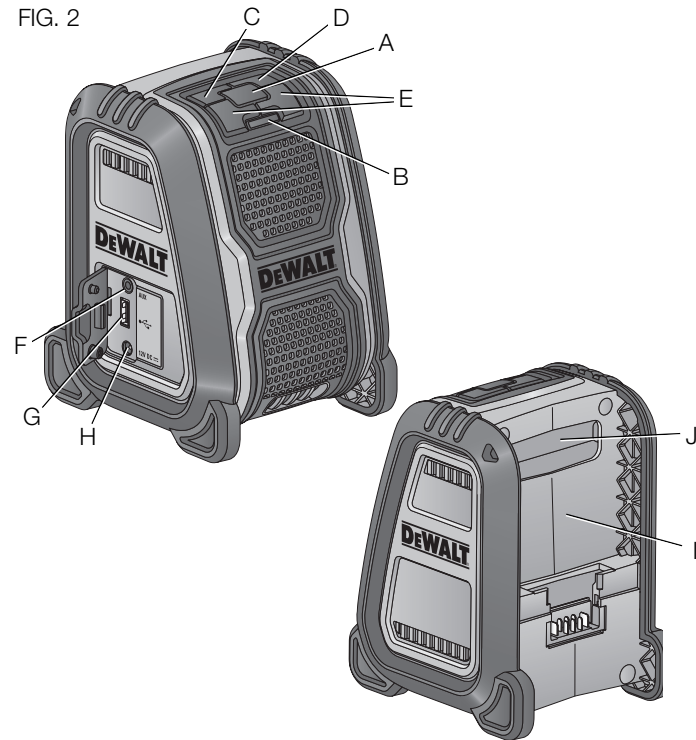
- |                              |                   |
|------------------------------|-------------------|
| A. Power button              | F. AUX audio port |
| B. LED indicator light       | G. USB power port |
| C. Bluetooth® pairing button | H. AC power input |
| D. Pause button              | I. Battery port   |
| E. Volume buttons +/-        | J. Carry handle   |

### INTENDED USE

This DEWALT Bluetooth® speaker is designed to play/stream audio via a wireless Bluetooth® connection or wired connection to a mobile phone or other audio device.

**DO NOT** use under wet conditions or in presence of flammable liquids or gases.

FIG. 2



**DO NOT** let children come into contact with the apparatus. Supervision is required when inexperienced operators use this apparatus.

## OPERATION

**⚠ WARNING:** To reduce the risk of serious personal injury, turn apparatus off and unplug or remove the battery pack before making any adjustments or removing/installing attachments or accessories.

The speaker can operate off of DC power (a battery pack) or with an AC power adapter plug. To power the speaker using the AC adapter, plug the adapter into the appropriate outlet and connect it to the speaker via the AC power input (Fig. 3, H). Battery pack will not charge when AC adapter is plugged in.

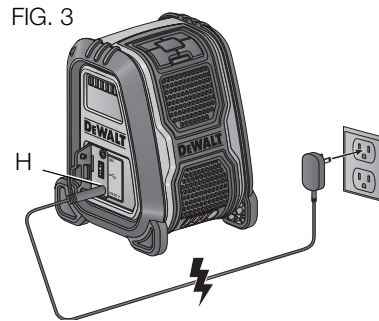


FIG. 3

## Installing and Removing the Battery Pack (Fig. 4)

**NOTE:** For best results, make sure your battery pack is fully charged.

To install the battery pack (L) into the battery port (I), align the battery pack with the rails on the sides of the port and slide the battery in until the battery pack is firmly seated. Be sure that it does not disengage.

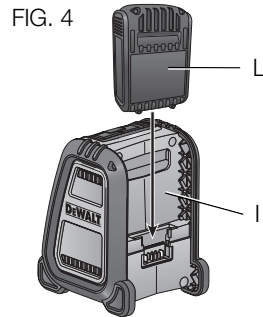


FIG. 4

To remove the battery pack from the apparatus, press the release button and firmly pull the battery pack out of the port. Insert it into the charger as described in the charger section of this manual.

## FUEL GAUGE BATTERY PACKS (FIG. 5)

Some DEWALT battery packs include a fuel gauge which consists of three green LED lights that indicate the level of charge remaining in the battery pack.

To actuate the fuel gauge, press and hold the fuel gauge button (K). A combination of the three green LED lights will illuminate designating the level of charge left. When the level of charge in the battery is below the usable limit, the fuel gauge will not illuminate and the battery will need to be recharged.

**NOTE:** The fuel gauge is only an indication of the charge left on the battery pack. It does not indicate apparatus functionality and is subject to variation based on product components, temperature and end-user application.

For more information regarding fuel gauge battery packs, please call 1-800-4-DEWALT (1-800-433-9258) or visit our website [www.dewalt.com](http://www.dewalt.com).

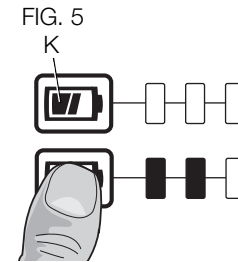


FIG. 5

**Functionality (Fig. 6, 7)**

Audio can be played through the speaker via a wireless Bluetooth® connection to a compatible Bluetooth® device or by connecting audio device or mobile phone using a 1/8" (3.5 mm) audio cable to the audio port (F).

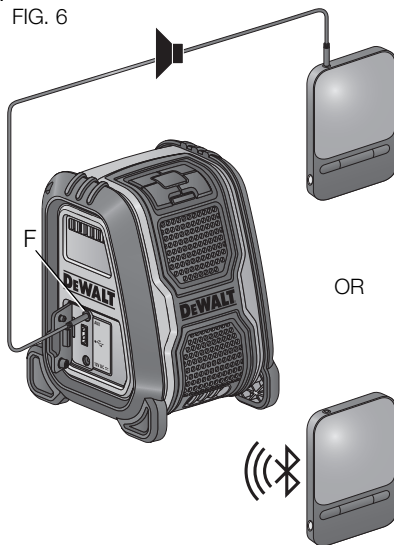


FIG. 6

**POWERING THE SPEAKER ON AND OFF (FIG. 7)**

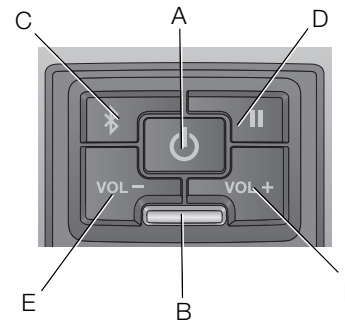
Pressing the power button (A) will turn the speaker on or off. When turned on, the LED indicator (B) will indicate the speaker's status.

Upon initial use, the speaker will require pairing. To pair speaker to a Bluetooth® device refer to **Pairing Speaker with a Bluetooth® Audio Device.**

**LED SPEAKER STATUS INDICATOR**

LED indicator	Status/Mode
Steady blinking (half second interval)	Speaker is unpaired or in connecting mode.
Rapid Blinking	Speaker is in pairing mode and discoverable by your device.
Solid light	Speaker is connected with a device.
No light	Speaker has timed out and/or is off.

FIG. 7



**PAIRING SPEAKER WITH A BLUETOOTH® AUDIO DEVICE (FIG. 6, 7)**

1. Place the speaker and the Bluetooth® audio source within 3.3' (1 m) of each other.
2. Turn speaker on by pressing the power button (A). The LED (B) will light solid for 4 seconds to indicate the apparatus powered on successfully and then go into a half second interval blink pattern.
3. Press the Bluetooth® pairing button (C). The LED indicator light blinks rapidly indicating the speaker is in pairing mode and is discoverable by your Bluetooth® device.
4. Confirm pairing on your device. (Please consult your device's instruction manual for specific pairing instructions.)  
**NOTE:** If pairing is not confirmed within 2 minutes, the LED will stop flashing and the speaker will return to half second interval blink pattern.
5. Once pairing is successful the LED indicator (B) will turn solid and the speaker will emit a short tone. The speaker will now play music from your device.

**CONNECTING A PREVIOUSLY PAIRED BLUETOOTH® AUDIO DEVICE (FIG. 1, 7)**

If a Bluetooth® device has been previously paired to the speaker it should automatically reconnect when speaker is powered on. After 4 seconds the speaker will go into connecting mode. This is indicated by the LED (B) blinking steady. Once the previously paired Bluetooth® device is recognized and connected, the LED will go solid. If connection does not occur and you are unable to stream music please follow the instructions for **Pairing Speaker with a Bluetooth® Audio Device.**

**ADJUSTING THE SPEAKER VOLUME (FIG. 7)**

The speaker volume can be decreased or increased by using the corresponding volume buttons (E). Pressing the "VOL +" button increases the volume. Pressing the "VOL -" decreases the volume. The pause button (D) can silence the speaker at any volume by being pressed once. Pressing the pause button again will unpauses the speaker. The speaker will emit a tone when the maximum or minimum volume is reached.

**TIMEOUT FUNCTIONALITY (FIG. 1)**

To conserve battery life the speaker is designed to power off automatically after an hour of inactivity. This inactivity could be due to the device being unpaired for an hour or in the case of the Bluetooth® connection being broken for the same period of time. If the speaker powers off due to inactivity of any kind refer to **Connecting a Previously Paired Bluetooth® Audio Device.**

**NOTE:** Optimum Bluetooth® streaming range is roughly 30 ft (9 m) (line of sight) to the speaker but distances up to 100 feet (30 m) are possible. Physical obstacles, other wireless devices or electromagnetic devices may affect the connection quality.

If Bluetooth® connection is lost due to exceeding time of separation, exceeding the optimum distance, obstacles or otherwise, reconnecting your device with the speaker may be necessary.

**CHARGING A CELL PHONE OR AUDIO DEVICE VIA USB (FIG. 1)**

Your audio device or mobile phone can be charged using the USB power port (G) on the speaker. This charging is possible when unit is on, running off of AC plug power or the battery pack.

### **Important Bluetooth® Speaker Notes**

1. When receiving a phone call on a mobile phone which is streaming to the Bluetooth® speaker, music playback stops. After phone call is finished, music resumes playing.

#### **PHONE CALL AUDIO THROUGH BLUETOOTH SPEAKER**

Depending on your device it may be possible to have the audio from a phone call play through the Bluetooth® Speaker. This is dependent on the device and the way the device's settings are configured. Please refer to the device's owner's manual for capability and settings information.

2. Due to the characteristics of Bluetooth® technology, the sound heard through the Bluetooth® speaker is slightly delayed from the sound played on your audio device or mobile phone while talking on a phone call or streaming music.

### **MAINTENANCE**

**⚠ WARNING:** To reduce the risk of serious personal injury, turn apparatus off and unplug or remove the battery pack before making any adjustments or removing/installing attachments or accessories.

#### **Cleaning**

**⚠ WARNING:** Never use solvents or other harsh chemicals for cleaning the non-metallic parts of the apparatus. These chemicals may weaken the plastic materials used in these parts. Use a cloth dampened only with water and mild soap. Never let any liquid get inside the apparatus; never immerse any part of the apparatus into a liquid.

### **Accessories**

**⚠ WARNING:** Since accessories, other than those offered by DEWALT, have not been tested with this product, use of such accessories with this tool could be hazardous. To reduce the risk of injury, only DEWALT recommended accessories should be used with this product.

Recommended accessories for use with your tool are available at extra cost from your local dealer or authorized service center. If you need assistance in locating any accessory, please contact DEWALT Industrial Tool Co., 701 East Joppa Road, Towson, MD 21286, call 1-800-4-DEWALT (1-800-433-9258) or visit our website: [www.dewalt.com](http://www.dewalt.com).

### **Repairs**

To assure product SAFETY and RELIABILITY, repairs, maintenance and adjustment (including brush inspection and replacement) should be performed by a DEWALT factory service center, a DEWALT authorized service center or other qualified service personnel. Always use identical replacement parts.

### **Register Online**

Thank you for your purchase. Register your product now for:

- **WARRANTY SERVICE:** Registering your product will help you obtain more efficient warranty service in case there is a problem with your product.
- **CONFIRMATION OF OWNERSHIP:** In case of an insurance loss, such as fire, flood or theft, your registration of ownership will serve as your proof of purchase.

- **FOR YOUR SAFETY:** Registering your product will allow us to contact you in the unlikely event a safety notification is required under the Federal Consumer Safety Act.

Register online at [www.dewalt.com/register](http://www.dewalt.com/register).

### **Three Year Limited Warranty**

DEWALT will repair, without charge, any defects due to faulty materials or workmanship for three years from the date of purchase. This warranty does not cover part failure due to normal wear or tool abuse. For further detail of warranty coverage and warranty repair information, visit [www.dewalt.com](http://www.dewalt.com) or call 1-800-4-DEWALT (1-800-433-9258). This warranty does not apply to accessories or damage caused where repairs have been made or attempted by others. This warranty gives you specific legal rights and you may have other rights which vary in certain states or provinces.

In addition to the warranty, DEWALT tools are covered by our:

#### **1 YEAR FREE SERVICE**

DEWALT will maintain the tool and replace worn parts caused by normal use, for free, any time during the first year after purchase.

#### **90 DAY MONEY BACK GUARANTEE**

If you are not completely satisfied with the performance of your DEWALT Power Tool, Laser, or Nailer for any reason, you can return it within 90 days from the date of purchase with a receipt for a full refund – no questions asked.

**LATIN AMERICA:** This warranty does not apply to products sold in Latin America. For products sold in Latin America, see country specific warranty information contained in the packaging, call the local company or see website for warranty information.

**FREE WARNING LABEL REPLACEMENT:** If your warning labels become illegible or are missing, call 1-800-4-DEWALT (1-800-433-9258) for a free replacement.



**English**

### Définitions : lignes directrices en matière de sécurité

Les définitions ci-dessous décrivent le niveau de danger pour chaque mot-indicateur employé. Lire le mode d'emploi et porter une attention particulière à ces symboles.

**⚠ DANGER** : indique une situation dangereuse imminente qui, si elle n'est pas évitée, **entraînera la mort ou des blessures graves.**

**⚠ AVERTISSEMENT** : indique une situation potentiellement dangereuse qui, si elle n'est pas évitée, **pourrait entraîner la mort ou des blessures graves.**

**⚠ ATTENTION** : indique une situation potentiellement dangereuse qui, si elle n'est pas évitée, **pourrait entraîner des blessures légères ou modérées.**

**AVIS** : indique une pratique ne posant **aucun risque de dommages corporels** mais qui par contre, si rien n'est fait pour l'éviter, **pourrait poser des risques de dommages matériels.**

POUR TOUTE QUESTION OU REMARQUE AU SUJET DE CET OUTIL OU DE TOUT AUTRE OUTIL DEWALT, COMPOSEZ LE NUMÉRO SANS FRAIS : **1-800-4-DEWALT (1-800-433-9258)**.



**AVERTISSEMENT** : afin de réduire le risque de blessures, lire le mode d'emploi de l'outil.

### Consignes générales de sécurité



**AVERTISSEMENT!** lire tous les avertissements de sécurité et toutes les directives. Le non-respect des avertissements et des directives pourrait se solder par un choc électrique, un incendie et/ou une blessure grave.

### CONSERVER TOUS LES AVERTISSEMENTS ET TOUTES LES DIRECTIVES POUR UN USAGE ULTÉRIEUR

#### Consignes de sécurité importantes

1. Lire ces directives.
2. Conserver ces directives.
3. Respecter tous les avertissements.
4. Suivre toutes les directives.
5. Ne pas utiliser cet appareil à proximité d'eau.
6. N'utiliser qu'un chiffon sec pour le nettoyage.
7. Ne bloquer aucun orifice d'aération. Installer conformément aux directives du fabricant.
8. Ne pas installer à proximité de sources de chaleur, tels radiateurs, registres de chaleur, cuisinières ou tout autre appareil (y compris les amplificateurs).
9. Ne pas annihiler le but sécuritaire de la fiche polarisée ou mise à la terre. Une fiche polarisée possède deux lames dont l'une est plus large que l'autre. Une fiche mise à la terre possède deux lames et une troisième broche mise à la terre. La large lame ou la troisième broche ont été installée pour assurer votre sécurité. Si la fiche fournie de rentre pas dans la prise utilisée, consulter un électricien pour faire changer cette prise désuète.
10. Protéger le cordon d'alimentation contre tout piétinement ou constriction particulièrement au niveau des fiches, des prises, et au point de sortie des appareils.



11. Utiliser exclusivement des accessoires recommandés par le fabricant.
12. Débrancher l'appareil pendant les orages, ou lorsqu'il restera inutilisé pendant une période prolongée.
13. Confier l'entretien de l'appareil aux soins d'un personnel qualifié. Faire systématiquement entretenir l'appareil en cas de dommages quelconques, tels que : le cordon électrique, ou une fiche, a été endommagé, un liquide ou un objet a pénétré dans l'appareil, l'appareil a été exposé à la pluie ou à l'humidité, il ne fonctionne pas normalement ou il a fait une chute.
14. Protéger l'appareil de tout liquide, ou éclaboussure, et ne disposer aucun objet rempli d'un liquide, (un vase par exemple) sur l'appareil.



Le symbole de l'éclair avec une flèche au sein d'un triangle a pour but de prévenir l'utilisateur que certaines pièces au sein du produit posent des risques de chocs électriques pour l'individu.



Le point d'exclamation au sein d'un triangle a pour but de prévenir l'utilisateur que des instructions importantes d'utilisation et d'entretien sont incluses dans les documents propres à l'appareil.

### **Règles de sécurité additionnelles propres aux haut-parleurs Bluetooth<sup>MD</sup>**

- **NE PAS** éclabousser l'appareil ou l'immerger dans l'eau ou dans tout autre liquide.
- Tout changement ou toute modification à l'appareil qui ne serait pas expressément homologué par le tiers responsable de sa conformité pourra annuler les droits de l'utilisateur à employer cet équipement.

**REMARQUE :** le terme et les logos Bluetooth<sup>MD</sup> sont des marques déposées appartenant à Bluetooth<sup>MD</sup>, SIG, Inc. et toute utilisation de ces marques par DEWALT est autorisée par licence. Toute autre marque de commerce et appellation commerciale reste la propriété de leurs propriétaires respectifs.

- Cet appareil numérique de Classe B est conforme aux normes canadiennes ICES-003.
- Cet appareil est conforme au paragraphe 15 du règlement du FCC. Son utilisation est sujette aux deux conditions suivantes :
  - 1) Ce dispositif ne doit pas causer d'interférences nuisibles;
  - 2) Ce dispositif doit accepter toute interférence reçue, y compris toute interférence pouvant causer un fonctionnement indésirable.

**REMARQUE :** cet équipement a été testé et jugé conforme aux limites propres aux appareils numériques de Classe B, conformément au Paragraphe 15 du règlement du FCC. Ces limites sont destinées à offrir une protection raisonnable contre les interférences nuisibles d'une installation résidentielle. Cet équipement produit, utilise et peut émaner des ondes radiofréquences et, s'il n'est pas installé et utilisé conformément aux directives du fabricant, peut causer des interférences nuisibles aux communications radio. En fonction des installations réalisées, il n'est cependant pas garanti que toute interférence soit exclue. Si cet équipement cause des interférences nuisibles à toute réception radio ou télévision, ce qui peut être déterminé en allumant et éteignant l'équipement, l'utilisateur est encouragé à tenter de corriger ces interférences en prenant l'une ou plusieurs des mesures suivantes :

- Réorienter l'antenne de réception ou en changer l'emplacement;
- Augmenter la distance entre l'équipement et le récepteur;
- Brancher l'équipement à une prise située sur un circuit différent de celui sur lequel le récepteur est connecté;

- Contacter le détaillant ou consulter un technicien radio/télé qualifié.
- L'étiquette apposée sur votre outil peut inclure les symboles suivants. La plaque signalétique se trouve sur la partie inférieure de l'appareil. Les symboles et leur définition sont indiqués ci-après :
 

V..... volts	A..... ampères
Hz..... hertz	W..... watts
min ..... minutes	~ ou AC..... courant alternatif
=== ou DC... courant continu	⋈ ou AC/DC... courant alternatif ou continu
Ⓛ..... classe I fabrication (mis à la terre)	Ⓜ..... vitesse à vide
Ⓛ..... classe II fabrication (double isolation)	n ..... vitesse nominale
.../min ..... par minute	⊖ ..... borne de terre
IPM..... impacts par minute	⚠..... symbole d'avertissement
BPM..... battements par minute	r/min..... tours par minute
sfpm ..... pieds linéaires par minute (plpm)	SPM (FPM)..... fréquence par minute

### Consignes importantes de sécurité propres à tous les blocs-piles

Pour commander un bloc-piles de rechange, s'assurer d'inclure son numéro de catalogue et sa tension. Consulter le tableau en dernière page de ce manuel pour connaître les compatibilités entre chargeurs et blocs-piles.

Le bloc-piles n'est pas totalement chargé d'usine. Avant d'utiliser le bloc-piles et le chargeur, lire les consignes de sécurité ci-dessous. Puis suivre la procédure de charge indiquée.

### LIRE TOUTES LES CONSIGNES

- **Ne pas recharger ou utiliser un bloc-piles en milieu déflagrant, en présence, par exemple, de poussières, gaz ou liquides inflammables.** Le fait d'insérer ou retirer un bloc-piles de son chargeur pourrait causer l'inflammation de poussières ou d'émanations.
- **NE JAMAIS forcer l'insertion d'un bloc-piles dans un chargeur. NE modifier un bloc-piles d'AUCUNE façon pour le faire rentrer dans un chargeur incompatible, car il pourrait se briser et causer des dommages corporels graves.** Consulter le tableau en dernière page de ce manuel pour connaître les compatibilités entre chargeurs et blocs-piles.
- Recharger les blocs-piles exclusivement dans des chargeurs DEWALT.
- **NE PAS** éclabousser le bloc-piles ou l'immerger dans l'eau ou dans tout autre liquide.
- **Ne pas entreposer ou utiliser l'appareil et le bloc-piles en présence de températures ambiantes pouvant excéder 40 °C (105 °F) (comme dans des hangars ou des bâtiments métalliques l'été).** Pour préserver leur durée de vie, entreposer les blocs-piles dans un endroit frais et sec.
- ⚠ **AVERTISSEMENT** : risques d'incendie. Ne jamais tenter d'ouvrir le bloc-piles pour quelque raison que ce soit. Si le boîtier du bloc-piles est fissuré ou endommagé, ne pas l'insérer dans un chargeur. Ne pas écraser, laisser tomber, ou endommager les blocs-piles. Ne pas utiliser un bloc-piles ou un chargeur qui a reçu un choc violent, ou si l'appareil est tombé, a été écrasé ou endommagé de quelque façon.

que ce soit (p. ex. percé par un clou, frappé d'un coup de marteau, piétiné). Les blocs-piles endommagés doivent être renvoyés à un centre de réparation pour y être recyclés.

**⚠️AVERTISSEMENT : risques d'incendie. Au moment de ranger ou transporter le bloc-piles, s'assurer qu'aucun objet métallique n'entre en contact avec les bornes à découvert du bloc-piles.** Par exemple, éviter de placer un bloc-piles dans un tablier, une poche, une boîte à outils ou un tiroir, etc. contenant des objets tels que des clous, des vis, des clés, etc. **Le fait de transporter des bloc-piles comporte des risques d'incendie, car les bornes des piles pourraient entrer, par inadvertance, en contact avec des objets conducteurs, tels que : clés, pièces de monnaie, outils ou autres.** La réglementation sur les produits dangereux (Hazardous Material Regulations) du département américain des transports interdit, en fait, le transport des piles pour le commerce ou dans les avions (ex : dans les bagages enregistrés ou à main) À MOINS qu'elles ne soient correctement protégées contre tout court-circuit. Aussi lors du transport individuel de blocs-piles, s'assurer que leurs bornes sont bien protégées et isolées de tout matériau pouvant entrer en contact avec elles et provoquer un court-circuit.

#### **CONSIGNES DE SÉCURITÉ PROPRES AUX PILES AU LITHIUM-ION (Li-Ion)**

- **Ne pas incinérer le bloc-piles même s'il est sévèrement endommagé ou complètement usagé, car il pourrait exploser et causer un incendie.** Pendant l'incinération des blocs-piles au lithium-ion, des vapeurs et matières toxiques sont dégagées.
- **En cas de contact du liquide de la pile avec la peau, rincer immédiatement au savon doux et à l'eau.** En cas de contact oculaire, rincer l'œil ouvert à l'eau claire une quinzaine de minutes ou jusqu'à ce que l'irritation cesse. Si des soins médicaux s'avéraient nécessaires, noter que l'électrolyte de la pile est

composé d'un mélange de carbonates organiques liquides et de sels de lithium.

- **Le contenu des cellules d'une pile ouverte peut causer une irritation respiratoire.** En cas d'inhalation, exposer l'individu à l'air libre. Si les symptômes persistent, consulter un médecin.

**⚠️AVERTISSEMENT : risques de brûlure.** Le liquide de la pile peut s'enflammer s'il est exposé à des étincelles ou à une flamme.

#### **Le sceau SRPRC<sup>MC</sup>**

Le sceau SRPRC<sup>MC</sup> (Société de recyclage des piles rechargeables au Canada) apposé sur une pile au nickel-cadmium, à hydrure métallique de nickel ou au lithium-ion (ou un bloc-piles) indique que les coûts de recyclage de ces derniers en fin d'utilisation ont déjà été réglés par DEWALT. Dans certaines régions, la mise au rebut ou aux ordures municipales des piles au nickel-cadmium, à l'hydrure métallique de nickel ou au lithium-ion, est illégale ; le programme de SRPRC constitue donc une solution pratique et écologique.

La SRPRC<sup>MC</sup>, en collaboration avec DEWALT et d'autres utilisateurs de piles, a mis sur pied des programmes aux États-Unis et au Canada pour faciliter la collecte des piles au nickel-cadmium, à l'hydrure métallique de nickel ou au lithium-ion usagées. Aidez-nous à protéger l'environnement et à conserver nos ressources naturelles en renvoyant les piles au nickel-cadmium, à l'hydrure métallique de nickel ou au lithium-ion usagées à un centre de réparation autorisé DEWALT ou chez votre détaillant afin qu'elles y soient recyclées. On peut en outre se renseigner auprès d'un centre de recyclage local pour connaître d'autres sites les acceptant.

SRPRC<sup>MC</sup> est une marque déposée de la Société de recyclage des piles rechargeables au Canada.



**Français**

## Directives de sécurité importantes propres à tous les chargeurs de piles

**CONSERVER CES INSTRUCTIONS** : ce manuel contient des directives de sécurité et d'utilisation importantes propres aux chargeurs de piles.

- Avant d'utiliser le chargeur, lire toute consigne et tout avertissement apposés sur le chargeur, le bloc-piles et le produit utilisant le bloc-piles.

**⚠AVERTISSEMENT** : risques de chocs électriques. Ne laisser aucun liquide pénétrer dans le chargeur, des chocs électriques pourraient en résulter.

**⚠ATTENTION** : risques de brûlure. Pour réduire tout risque de dommages corporels, ne recharger que des blocs-piles rechargeables DEWALT. Tout autre type de piles pourrait exploser et causer des dommages corporels et matériels.

**AVIS** : sous certaines conditions, lorsque le chargeur est connecté au bloc d'alimentation, des matériaux étrangers pourraient court-circuiter le chargeur. Les corps étrangers conducteurs tels que (mais pas limité à) poussières de rectification, débris métalliques, laine d'acier, feuilles d'aluminium, ou toute accumulation de particules métalliques doivent être maintenus à distance des orifices du chargeur. Débrancher systématiquement le chargeur lorsque le bloc-piles n'y est pas inséré. Débrancher systématiquement le chargeur avant tout entretien.

**⚠AVERTISSEMENT** :

- **NE PAS tenter de charger de bloc-piles avec des chargeurs autres que ceux décrits dans ce manuel.** Le chargeur et son bloc-piles ont été conçus tout spécialement pour fonctionner ensemble.

- **Ces chargeurs n'ont pas été conçus pour une utilisation autre que recharger les blocs-piles rechargeables DEWALT.** Toute autre utilisation comporte des risques d'incendie, de chocs électriques ou d'électrocution.
- **Protéger le chargeur de la pluie ou de la neige.**
- **Tirer sur la fiche plutôt que sur le cordon pour débrancher le chargeur.** Cela permet de réduire les risques d'endommager la fiche ou le cordon d'alimentation.
- **S'assurer que le cordon est protégé de manière à ce que personne ne marche ni ne trébuche dessus, ou à ce qu'il ne soit ni endommagé ni soumis à aucune tension.**
- **N'utiliser une rallonge qu'en cas de nécessité absolue.** L'utilisation d'une rallonge inadéquate comporte des risques d'incendie, de chocs électriques ou d'électrocution.
- **Pour utiliser un chargeur à l'extérieur, le placer dans un endroit sec et utiliser une rallonge conçue pour l'extérieur.** L'utilisation d'une rallonge conçue pour l'extérieur réduit les risques de chocs électriques.
- **Pour la sécurité de l'utilisateur, utiliser une rallonge de calibre adéquat (AWG, American Wire Gauge [calibrage américain normalisé des fils électriques]).** Plus le calibre est petit, et plus sa capacité est grande. Un calibre 16, par exemple, a une capacité supérieure à un calibre 18. L'usage d'une rallonge de calibre insuffisant causera une chute de tension qui entraînera perte de puissance et surchauffe. Si plus d'une rallonge est utilisée pour obtenir une certaine longueur, s'assurer que chaque rallonge présente au moins le calibre de fil minimum. Le tableau ci-dessous illustre les calibres à utiliser selon la longueur de rallonge et l'intensité nominale indiquée sur la plaque signalétique. En cas de doute, utiliser le calibre suivant. Plus le calibre est petit, plus la rallonge peut supporter de courant.

Calibres minimaux des rallonges							
Intensité (en ampères)		volts	Longueur totale de cordon en mètres (pieds)				
		120 V	7,6 (25)	15,2 (50)	30,5 (100)	45,7 (150)	
		240 V	15,2 (50)	30,5 (100)	61,0 (200)	91,4 (300)	
Supérieur à	Inférieur à	AWG					
0	6	18	16	16	14		
6	10	18	16	14	12		
10	12	16	16	14	12		
12	16	14	12	Non recommandé			

- **Ne poser aucun objet sur le chargeur. Ne pas mettre le chargeur sur une surface molle qui pourrait en bloquer la ventilation et provoquer une surchauffe interne.** Éloigner le chargeur de toute source de chaleur. Le chargeur dispose d'orifices d'aération sur le dessus et le dessous du boîtier.
- **Ne pas le faire fonctionner avec un cordon d'alimentation ou une fiche endommagée.**
- **Ne pas utiliser le chargeur s'il a reçu un coup, fait une chute ou a été endommagé de quelque façon que ce soit.** Le ramener dans un centre de réparation agréé.
- **Ne pas démonter le chargeur. Pour tout service ou réparation, le rapporter dans un centre de réparation agréé.** Le fait de le réassembler de façon incorrecte comporte des risques de chocs électriques, d'électrocution et d'incendie.
- **Débrancher le chargeur du secteur avant tout entretien.** Cela réduira tout risque de chocs électriques. Le fait de retirer le bloc-piles ne réduira pas ces risques.

- **NE JAMAIS tenter de connecter 2 chargeurs ensemble.**
- **Le chargeur a été conçu pour être alimenté en courant électrique domestique standard de 120 volts. Ne pas tenter de l'utiliser avec toute autre tension.** Cela ne s'applique pas aux chargeurs de postes mobiles.

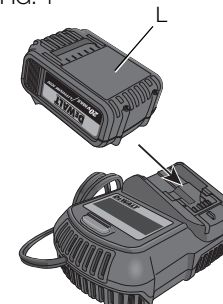
## Chargeurs

L'haut-parleur utilisé un chargeur DEWALT. S'assurer de bien lire toutes les directives de sécurité avant d'utiliser le chargeur. Consulter le tableau figurant à la fin du présent mode d'emploi pour connaître la compatibilité des chargeurs et des blocs-piles.

### Procédure de charge (Fig. 1)

1. Branchez le chargeur dans la prise appropriée avant d'y insérer le bloc-piles.
2. Insérez le bloc-piles (L) dans le chargeur, comme illustré en Figure 1, en vous assurant qu'il y est correctement calé. Le voyant rouge (charge) clignotera de façon continue indiquant que le cycle de chargement a commencé.
3. En fin de charge, le voyant rouge restera ALLUMÉ de façon continue. Le bloc-piles est alors complètement chargé et peut être utilisé ou laissé dans le chargeur.

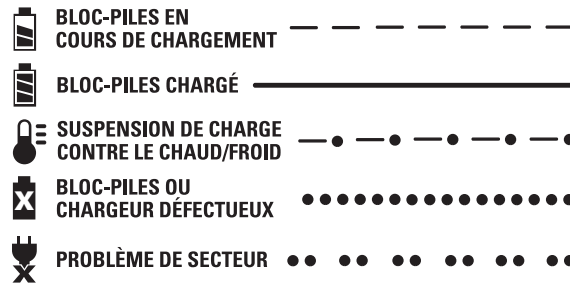
FIG. 1



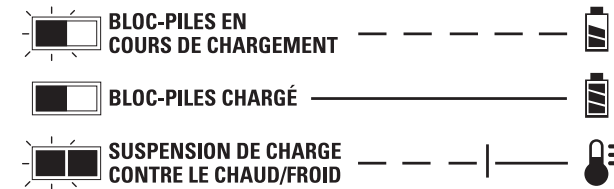
Français

## Fonctionnement du voyant

### DCB101



### DCB107, DCB112



## Voyants de charge

Ce chargeur a été conçu pour détecter les problèmes pouvant survenir. Un voyant rouge clignotant rapidement indique qu'il y a un problème. Dans cette éventualité, réinsérez le bloc-piles dans le chargeur. Si le problème persiste, essayez un autre bloc-piles pour déterminer si le chargeur fonctionne. Si le nouveau bloc-piles se recharge correctement, le bloc-piles initial est endommagé et doit être retourné dans un centre de réparation ou tout autre site de

récupération pour y être recyclé. Si l'on obtient le même résultat avec le nouveau bloc-piles, faites vérifier le chargeur et le bloc-piles chez un centre de réparation agréé.

## FONCTION DE SUSPENSION DE CHARGE CONTRE LE CHAUD/FROID

### DCB101

Ce chargeur est équipé d'une fonction de suspension de charge contre le chaud/froid. Lorsque le chargeur détecte un bloc-piles chaud, il démarre automatiquement la fonction de suspension de charge contre le chaud, en suspendant le chargement jusqu'au refroidissement de ce dernier. Une fois le bloc-piles refroidi, le chargeur se met automatiquement en mode de chargement. Cette caractéristique assure aux blocs-piles une durée de vie maximale. Le voyant rouge clignote longuement, puis rapidement en mode de suspension de charge contre le chaud/froid.

### DCB107, DCB112

Les chargeurs DCB107 et DCB112 sont équipés d'une fonction de suspension de charge contre le chaud/froid. Lorsque le chargeur détecte un bloc-piles chaud, il suspend automatiquement le chargement du bloc-piles jusqu'à son refroidissement. Lorsque le chargeur détecte un bloc-piles froid, il suspend automatiquement le chargement du bloc-piles jusqu'à son réchauffement.

Le voyant rouge continuera de clignoter, mais un voyant jaune s'illuminera pendant l'opération. Le voyant jaune s'éteint lorsque le chargeur reprend procédure de charge normale.

### LAISSER LE BLOC-PILES DANS LE CHARGEUR

Le chargeur et son bloc-piles peuvent rester connectés, le voyant du chargeur affichant alors Bloc-piles chargé.

**BLOCS-PILES FAIBLES** : les blocs-piles faibles continueront de fonctionner, mais il faudra s'attendre à un rendement moindre.

**BLOCS-PILES DÉFECTUEUX :** ce chargeur ne pourra recharger un bloc-piles défectueux. Le chargeur indiquera qu'un bloc-piles est défectueux en refusant de s'allumer ou en affichant bloc-piles ou chargeur défectueux.

**REMARQUE :** cela pourra aussi indiquer un problème avec le chargeur.

#### **PROBLÈME AVEC LE SECTEUR (DCB101)**

Certains chargeurs présentent un voyant pour tout problème avec le secteur. Lorsque le chargeur est utilisé avec des blocs d'alimentation portatifs comme des génératrices ou des alternateurs, il pourrait temporairement s'arrêter de marcher, auquel cas un voyant rouge émet deux clignotements rapides suivis d'une pause. Cela indique que le bloc d'alimentation est hors tolérance.

### **Installation murale**

#### **DCB107, DCB112**

Ces chargeurs ont été conçus pour une installation murale ou pour être posés sur une table ou une surface de travail.

Pour une fixation murale, installez le chargeur à proximité d'une prise électrique. Fixez soigneusement le chargeur au mur à l'aide de vis à placoplâtre d'au moins 25,4 mm (1 po) de long. Vissez-les dans le bois en laissant une longueur d'environ 5,5 mm (7/32 po) exposée.

### **Remarques importantes concernant le chargement**

1. Pour augmenter la durée de vie du bloc-piles et optimiser son rendement, le recharger à une température ambiante de 18 ° à 24 °C (65 °F à 75 °F). NE PAS recharger le bloc-piles à une température inférieure à + 4,5 °C (+ 40 °F) ou supérieure à + 40,5 °C (+ 105 °F). C'est important pour prévenir tout dommage sérieux au bloc-piles.

2. Le chargeur et son bloc-piles peuvent devenir chauds au toucher pendant la charge. C'est normal et ne représente en aucun cas une défaillance du produit. Pour faciliter le refroidissement du bloc-piles après utilisation, éviter de laisser le chargeur ou le bloc-piles dans un local où la température ambiante est élevée comme dans un hangar métallique ou une remorque non isolée.
3. Un bloc-piles froid se rechargera deux fois moins vite qu'un bloc-piles chaud. Le bloc-piles se rechargera à un rythme plus lent tout au cours du cycle de charge et ne retournera pas à sa capacité maximale de charge même s'il venait à se réchauffer.
4. Si le bloc-piles ne se recharge pas correctement :
  - a. Vérifier le bon fonctionnement de la prise en y branchant une lampe ou tout autre appareil électrique.
  - b. Vérifier que la prise n'est pas contrôlée par un interrupteur qui coupe le courant lorsqu'on éteint les lumières.
  - c. Déplacer le chargeur et le bloc-piles dans un local où la température ambiante se trouve entre environ 18 ° et 24 °C (65 °F et 75 °F).
  - d. Si le problème persiste, amener l'appareil, le bloc-piles et son chargeur dans un centre de réparation local.
5. Recharger le bloc-piles lorsqu'il ne produit plus assez de puissance pour effectuer un travail qu'il faisait facilement auparavant. NE PAS CONTINUER à l'utiliser dans ces conditions. Suivre la procédure de charge. Si nécessaire, il est aussi possible de recharger un bloc-piles partiellement déchargé sans effet nuisible sur le bloc-piles.
6. Les corps étrangers conducteurs tels que (mais pas limité à) poussières de rectification, débris métalliques, laine d'acier, feuilles d'aluminium, ou toute accumulation de particules métalliques doivent être maintenus à distance des orifices du chargeur.

Débrancher systématiquement le chargeur lorsque le bloc-piles n'y est pas inséré. Débrancher systématiquement le chargeur avant tout entretien.

7. Ne pas congeler ou immerger le chargeur dans l'eau ou tout autre liquide.

**⚠️AVERTISSEMENT :** risques de chocs électriques. Ne laisser aucun liquide pénétrer dans le chargeur, des chocs électriques pourraient en résulter.

**⚠️AVERTISSEMENT :** risque de brûlure. Ne submerger le bloc-piles dans aucun liquide et le protéger de toute infiltration de liquide. Ne jamais tenter d'ouvrir le bloc-piles pour quelque raison que ce soit. Si le boîtier plastique du bloc-piles est brisé ou fissuré, le retourner dans un centre de réparation pour y être recyclé.

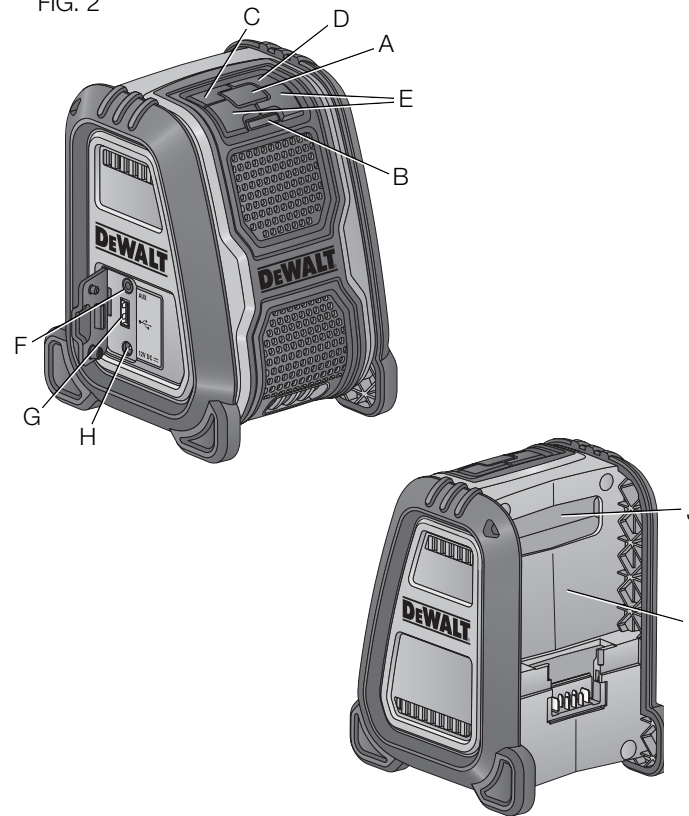
### Recommandations de stockage

1. Le lieu idéal de rangement est un lieu frais et sec, à l'abri de toute lumière solaire directe et de toute température excessive.
2. Pour un stockage prolongé, il est recommandé d'entreposer le bloc-piles pleinement chargé dans un lieu frais et sec, hors du chargeur pour optimiser les résultats.

**REMARQUE :** les blocs-piles ne devraient pas être entreposés complètement déchargés. Il sera nécessaire de recharger le bloc-piles avant réutilisation.

### CONSERVER CES CONSIGNES POUR UTILISATION ULTÉRIEURE

FIG. 2





## DESCRIPTION (Fig. 2)

**⚠ AVERTISSEMENT :** ne jamais modifier l'appareil ni aucun de ses composants, car cela pose des risques de dommages corporels ou matériels.

- |   |                            |
|---|----------------------------|
| A. Interrupteur                                 | F. Prise audio aux.        |
| B. Voyant DEL                                   | G. Port USB d'alimentation |
| C. Bouton d'appariement Bluetooth <sup>MD</sup> | H. Prise d'alimentation CA |
| D. Bouton de pause                              | I. Logement du bloc-piles  |
| E. Boutons de volume +/-                        | J. Poignée de transport    |

## USAGE PRÉVU

Ce haut-parleur Bluetooth<sup>MD</sup> DEWALT a été conçu pour jouer/transmettre en continu au travers d'une connexion sans fil Bluetooth<sup>MD</sup> ou d'une connexion filaire avec un téléphone mobile ou tout autre appareil audio.

**NE PAS** l'utiliser en milieu ambiant humide ou en présence de liquides ou de gaz inflammables.

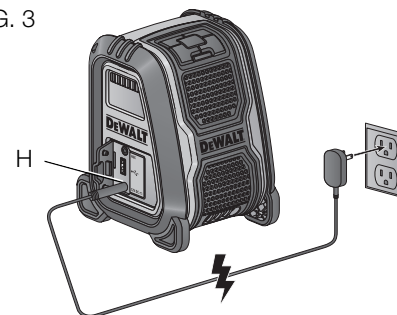
**NE PAS** laisser l'appareil à la portée des enfants. Une supervision est nécessaire lorsqu'un utilisateur non expérimenté utilise l'appareil.

## UTILISATION

**⚠ AVERTISSEMENT :** pour réduire tout risque de dommages corporels graves, arrêter l'appareil et le débrancher ou retirer son bloc-piles avant tout réglage ou avant de retirer ou installer toute pièce ou tout accessoire.

Le haut-parleur peut fonctionner sur alimentation CC (bloc-piles) ou avec fiche d'adaptateur CA. Pour alimenter le haut-parleur avec l'adaptateur CA, branchez l'adaptateur dans la prise appropriée puis connectez-le au haut-parleur avec la prise d'alimentation CA (H, Fig. 3). Le bloc-pile ne se rechargera pas lorsque l'appareil sera connecté à l'adaptateur CA.

FIG. 3



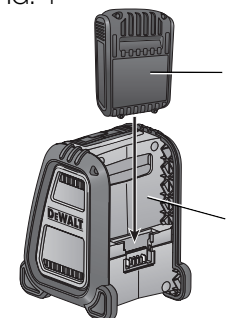
## Installation et retrait du bloc-piles (Fig. 4)

**REMARQUE :** pour optimiser les résultats, s'assurer que le bloc-piles est complètement chargé.

Pour installer le bloc-piles (L) dans le logement du bloc-piles (I), alignez le bloc-piles sur les rails latéraux du logement puis poussez-le jusqu'à ce qu'il y soit fermement installé. Assurez-vous qu'il n'en sortira pas.

Pour retirer le bloc-piles de l'appareil, poussez sur le bouton de libération et tirez fermement le bloc-piles hors de son logement. Insérez-le dans son chargeur comme décrit dans la section appropriée de ce guide d'utilisation.

FIG. 4

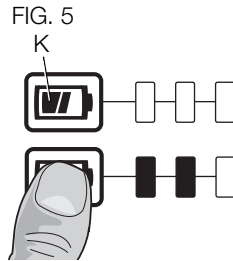


Français

### TÉMOIN DE CHARGE DU BLOC-PILES (FIG. 5)

Certains blocs-piles DEWALT possèdent un témoin de charge qui consiste en trois voyants Del verts indiquant le niveau de charge du bloc-piles.

Pour activer le témoin de charge, maintenez appuyé le bouton du témoin de charge (K). Une combinaison des trois voyants Del verts s'allumera indiquant le niveau de charge. Lorsque le niveau de charge du bloc-pile atteint la limite minimale d'utilisation, le témoin de charge reste éteint et le bloc-piles doit être rechargé.



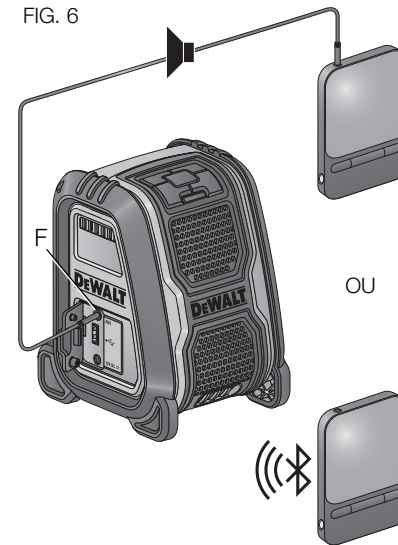
**REMARQUE :** le témoin de charge ne fait qu'indiquer le niveau de charge du bloc-piles. Il ne donne aucune indication quant au fonctionnement de l'appareil. Son propre fonctionnement pourra aussi varier en fonction des composants produit, de la température et de l'application d'utilisation.

Pour plus d'informations quant au témoin de charge du bloc-piles, veuillez appeler le 1-800-4-DEWALT (1-800-433-9258) ou vous rendre sur notre site [www.dewalt.com](http://www.dewalt.com).

### Fonctionnalités (Fig. 6, 7)

L'audio peut être écoutée avec le haut-parleur au travers de la connexion sans fil Bluetooth<sup>MD</sup> avec un appareil Bluetooth<sup>MD</sup> compatible ou en le connectant à un appareil audio ou à un téléphone mobile à l'aide d'un câble audio de 3,5 mm (1/8 pi) à l'aide de la prise audio (F).

FIG. 6



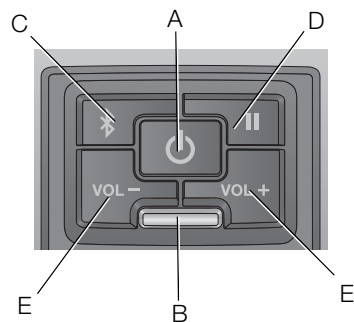
### MISE EN MARCHÉ ET ARRÊT DU HAUT-PARLEUR (FIG. 7)

Appuyer sur l'interrupteur (A) allumera ou éteindra le haut-parleur. Une fois allumé, le voyant DEL (B) indiquera le statut du haut-parleur. L'utilisation initiale nécessitera l'appariement du haut-parleur. Pour appairer le haut-parleur à un appareil Bluetooth<sup>MD</sup>, reportez-vous à la section **Appariement du haut-parleur à un appareil audio Bluetooth<sup>MD</sup>**.

**ÉTAT DU VOYANT DEL DU HAUT-PARLEUR**

Voyant DEL	État/Mode
Cignotement constant (à une demi-seconde d'intervalle)	Le haut-parleur n'est pas apparié ou est en mode de connexion.
Cignotement rapide	Le haut-parleur est en mode d'appariement et visible par votre appareil.
Voyant allumé fixe	Le haut-parleur est apparié à un appareil.
Voyant éteint	Fin du délai d'attente du haut-parleur et/ou le haut-parleur est éteint.

FIG. 7



**APPARIEMENT DU HAUT-PARLEUR À UN APPAREIL AUDIO BLUETOOTH<sup>MD</sup> (FIG. 6, 7)**

1. Placez le haut-parleur et la source audio Bluetooth<sup>MD</sup> à moins d'un mètre (3,3 pi) l'un de l'autre.

2. Mettez le haut-parleur en marche en appuyant sur l'interrupteur (A). Le voyant DEL (B) s'allumera fixement 4 secondes pour indiquer que l'appareil est alimenté puis il passera à un mode de cignotement toutes les demi-secondes.
3. Appuyez sur le bouton d'appariement Bluetooth<sup>MD</sup> (C). Le voyant DEL clignote rapidement indiquant que le haut-parleur est en mode d'appariement et est visible par votre appareil Bluetooth<sup>MD</sup>.
4. Confirmez l'appariement de votre appareil. (Veuillez consulter le manuel de l'utilisateur de votre appareil pour toute instruction d'appariement plus spécifique.

**REMARQUE :** si l'appariement n'est pas confirmé dans les 2 minutes, le voyant DEL s'arrêtera de clignoter et le haut-parleur recommencera à clignoter toutes les demi secondes.

5. Une fois l'appariement réussi, le voyant DEL (B) restera allumé fixement et le haut-parleur émettra un son bref. Le haut-parleur pourra alors jouer la musique de votre appareil.

**CONNEXION À UN APPAREIL AUDIO BLUETOOTH<sup>MD</sup> DÉJÀ APPARIÉ (FIG. 1, 7)**

Si un appareil Bluetooth<sup>MD</sup> a été déjà apparié au haut-parleur, il devrait se reconnecter automatiquement lorsque le haut-parleur sera allumé. Au bout de 4 secondes, le haut-parleur se mettra en mode de connexion. Le DEL (B) clignotera constamment pour indiquer ce statut. Une fois que l'appareil Bluetooth<sup>MD</sup> déjà apparié aura été reconnu et sera reconnecté, le DEL restera allumé fixement. Si la connexion ne réussit pas et que vous ne pouvez transmettre la musique en continu, veuillez suivre les instructions de la section **Appariement du haut-parleur à un appareil audio Bluetooth<sup>MD</sup>.**

**RÉGLAGE DU VOLUME DU HAUT-PARLEUR (FIG. 7)**

Le volume du haut-parleur peut être augmenté ou diminué en utilisant le bouton de volume (E) correspondant. Appuyer sur le bouton volume « VOL + » augmente le volume. Pour baisser le volume, appuyez sur le bouton « VOL - ».

Le bouton de pause (D) pourra rendre le haut-parleur silencieux, peu importe le volume en appuyant dessus une fois. Réappuyez sur le bouton de pause pour remettre le haut-parleur en marche. Le haut-parleur émettra un son lorsque le volume maximum ou minimum sera atteint.

**FONCTION DÉLAI D'ATTENTE (FIG. 1)**

Pour augmenter la durée de vie du bloc-piles, le haut-parleur a été conçu pour s'éteindre automatiquement après une heure d'inactivité. Cette inactivité peut être due à la perte de l'appariement de l'appareil pendant une heure, ou dans le cas d'une connexion Bluetooth<sup>MD</sup>, que celle-ci soit coupée pendant la même période. Si le haut-parleur s'éteint, peu importe la raison de l'inactivité, reportez-vous à la section Connexion à un appareil audio Bluetooth<sup>MD</sup> déjà apparié.

**REMARQUE :** la plage de lecture Bluetooth<sup>MD</sup> optimale est d'environ 9 m (30 pi) (distance à vue) du haut-parleur, mais peut aller jusqu'à 30 m (100 pi). Tout obstacle physique, autre que les appareils sans fil ou les appareils électromagnétiques pourra affecter la qualité de la connexion.

Si la connexion Bluetooth<sup>MD</sup> est perdue parce que la distance optimale aura été excédée, ou à cause de la présence d'obstacles ou autres, il sera peut-être nécessaire de reconnecter l'appareil au haut-parleur.

**CHARGEMENT USB D'UN TÉLÉPHONE PORTABLE OU D'UN APPAREIL AUDIO (FIG. 1)**

Votre appareil audio ou téléphone mobile peut être rechargé à l'aide du port USB d'alimentation (G) sur le haut-parleur. Ce chargement

est possible lorsque l'appareil est en marche, et alimenté en CA ou par bloc-piles.

**Remarques importantes quant au haut-parleur Bluetooth<sup>MD</sup>**

1. Alors que vous recevrez un appel sur votre téléphone mobile apparié avec votre haut-parleur Bluetooth<sup>MD</sup>, la musique s'arrêtera automatiquement. Une fois l'appel terminé, la musique reprendra.

**APPEL TÉLÉPHONIQUE AUDIO AU-TRAVERS DU HAUT-PARLEUR BLUETOOTH**

Selon votre appareil, il sera peut-être possible de prendre un appel audio au travers du haut-parleur Bluetooth<sup>MD</sup>. Cela dépendra de votre appareil et de la configuration de ses réglages. Veuillez vous reporter au manuel de l'utilisateur pour toute information quant à ses capacités et réglages

2. À cause des caractéristiques de la technologie Bluetooth<sup>MD</sup>, le son entendu au travers du haut-parleur Bluetooth<sup>MD</sup> est légèrement décalé par rapport au son joué sur votre appareil audio ou téléphone mobile alors que vous parlez au téléphone ou lors de la lecture de la musique.

**MAINTENANCE**

**⚠️ AVERTISSEMENT :** *pour réduire tout risque de dommages corporels graves, arrêter l'appareil et le débrancher ou retirer le bloc-piles avant tout réglage ou avant de retirer ou installer toute pièce ou tout accessoire.*

**Entretien**

**⚠️ AVERTISSEMENT :** *ne jamais utiliser de solvants ou tout autre produit chimique décapant pour nettoyer les parties non métalliques de l'appareil. Ces produits chimiques pourraient attaquer les matériaux plastiques utilisés. Utiliser un chiffon humide et un savon*

doux. Protéger l'appareil de tout liquide. N'immerger aucune partie de l'appareil dans un liquide.

### **Accessoires**

**⚠ AVERTISSEMENT :** puisque les accessoires autres que ceux offerts par DEWALT n'ont pas été testés avec ce produit, leur utilisation pourrait s'avérer dangereuse. Pour réduire le risque de blessures, utiliser exclusivement les accessoires DEWALT recommandés avec le présent produit.

Les accessoires recommandés pour cet outil sont vendus séparément au centre de service de votre région. Pour obtenir de l'aide concernant l'achat d'un accessoire, communiquer avec DEWALT Industrial Tool Co., 701 East Joppa Road, Towson, MD 21286 aux États-Unis; composer le 1 800 433-9258 (1 800 4-DEWALT) ou visiter notre site Web : [www.dewalt.com](http://www.dewalt.com).

### **Réparations**

Le chargeur et le bloc-piles ne sont pas réparables.

Pour assurer la SÉCURITÉ et la FIABILITÉ du produit, les réparations, l'entretien et les réglages doivent être réalisés (cela comprend l'inspection et le remplacement du balai) par un centre de réparation en usine DEWALT, un centre de réparation agréé DEWALT ou par d'autres techniciens qualifiés. Toujours utiliser des pièces de rechange identiques.

### **Registre en ligne**

Merci pour votre achat. Enregistrez dès maintenant votre produit:

- **RÉPARATIONS SOUS GARANTIE:** cette carte remplie vous permettra de vous prévaloir du service de réparations sous garantie de façon plus efficace dans le cas d'un problème avec le produit.

- **CONFIRMATION DE PROPRIÉTÉ:** en cas de perte provoquée par un incendie, une inondation ou un vol, cette preuve de propriété vous servira de preuve auprès de votre compagnie d'assurances.
- **SÉCURITÉ:** l'enregistrement de votre produit nous permettra de communiquer avec vous dans l'éventualité peu probable de l'envoi d'un avis de sécurité régi par la loi fédérale américaine de la protection des consommateurs.

Registre en ligne à [www.dewalt.com/register](http://www.dewalt.com/register).

### **Garantie limitée de trois ans**

DEWALT réparera, sans frais, tout produit défectueux causé par un défaut de matériel ou de fabrication pour une période de trois ans à compter de la date d'achat. La présente garantie ne couvre pas les pièces dont la défectuosité a été causée par une usure normale ou l'usage abusif de l'outil. Pour obtenir de plus amples renseignements sur les pièces ou les réparations couvertes par la présente garantie, visiter le site [www.dewalt.com](http://www.dewalt.com) ou composer le 1 800 433-9258 (1 800 4-DEWALT). Cette garantie ne s'applique pas aux accessoires et ne vise pas les dommages causés par des réparations effectuées par un tiers. Cette garantie confère des droits légaux particuliers à l'acheteur, mais celui-ci pourrait aussi bénéficier d'autres droits variant d'un état ou d'une province à l'autre.

En plus de la présente garantie, les outils DEWALT sont couverts par notre :

#### **CONTRAT D'ENTRETIEN GRATUIT D'UN AN**

DEWALT entretiendra l'outil et remplacera les pièces usées au cours d'une utilisation normale et ce, gratuitement, pendant une période d'un an à compter de la date d'achat.

**CONTRAT D'ENTRETIEN GRATUIT DE DEUX ANS  
SUR LES BLOC-PILES DEWALT**

DC9071, DC9091, DC9096, DC9280, DC9360, DC9180, DCB120,  
DCB201 et DCB203

**CONTRAT D'ENTRETIEN GRATUIT DE TROIS ANS  
SUR LES BLOC-PILES DEWALT**

DCB200, DCB204

**BLOCS-PILES DEWALT**

La garantie de se produit sera annulée si le bloc-piles a été altéré de quelque façon que ce soit. DEWALT ne peut être tenu responsable de tout dommage corporel causé par l'altération du produit et pourra poursuivre toute fraude en matière de garantie dans toute l'étendue permise par la loi.

**GARANTIE DE REMBOURSEMENT DE 90 JOURS**

Si l'acheteur n'est pas entièrement satisfait, pour quelque raison que ce soit, du rendement de l'outil électrique, du laser ou de la cloueuse DEWALT, celui-ci peut le retourner, accompagné d'un reçu, dans les 90 jours à compter de la date d'achat pour obtenir un remboursement intégral, sans aucun problème.

**AMÉRIQUE LATINE :** cette garantie ne s'applique aux produits vendus en Amérique latine. Pour ceux-ci, veuillez consulter les informations relatives à la garantie spécifique présente dans l'emballage, appeler l'entreprise locale ou consulter le site Web pour les informations relatives à cette garantie.

**REMPACEMENT GRATUIT DES ÉTIQUETTES D'AVERTISSEMENT :** si les étiquettes d'avertissement deviennent illisibles ou sont manquantes, composer le 1 800 433-9258 (1 800 4-DEWALT) pour en obtenir le remplacement gratuit.

Français



### **Definiciones: Normas de seguridad**

Las siguientes definiciones describen el nivel de gravedad de cada palabra de señal. Lea el manual y preste atención a estos símbolos.

**⚠ PELIGRO:** Indica una situación de peligro inminente que, si no se evita, provocará **la muerte o lesiones graves**.

**⚠ ADVERTENCIA:** Indica una situación de peligro potencial que, si no se evita, **podría provocar la muerte o lesiones graves**.

**⚠ ATENCIÓN:** Indica una situación de peligro potencial que, si no se evita, **posiblemente provocaría lesiones leves o moderadas**.

**AVISO:** Se refiere a una práctica **no relacionada a lesiones corporales** que de no evitarse **puede** resultar en **daños a la propiedad**.

SI TIENE ALGUNA DUDA O ALGÚN COMENTARIO SOBRE ÉSTA U OTRA HERRAMIENTA DEWALT, LLÁMENOS AL NÚMERO GRATUITO: **1-800-4-DEWALT (1-800-433-9258)**.



**ADVERTENCIA:** Para reducir el riesgo de lesiones, lea el manual de instrucciones.

### **Advertencias de seguridad generales**



**¡ADVERTENCIA!** Lea todas las advertencias de seguridad e instrucciones. El incumplimiento de las advertencias e instrucciones puede provocar descargas eléctricas, incendios o lesiones graves.

## **CONSERVE TODAS LAS ADVERTENCIAS E INSTRUCCIONES PARA FUTURAS CONSULTAS**

### **Instrucciones importantes sobre seguridad**

1. Lea estas instrucciones.
2. Conserve estas instrucciones.
3. Obedezca todas las advertencias.
4. Siga todas las instrucciones.
5. No utilice este aparato cerca del agua.
6. Limpie únicamente con un trapo seco.
7. No obstruya las aberturas de ventilación. Instale de conformidad con las instrucciones del fabricante.
8. No instale cerca de fuentes de calor como radiadores, rejillas de calefacción, estufas ni otros aparatos (incluyendo amplificadores) que produzcan calor.
9. No anule el propósito de seguridad de la clavija para conexión a tierra o polarizada. Una clavija polarizada tiene dos patas, una más ancha que la otra. Una clavija para conexión a tierra tiene dos patas, más una tercera para la conexión a tierra. La pata ancha o la tercera pata se proporcionan para su seguridad. Si la clavija de la unidad no se acopla a la toma de corriente, consulte a un electricista para que reemplace la toma de corriente obsoleta.
10. Evite que caminen sobre el cable y protéjalo contra aplastamientos, particularmente en la clavija, las toma de corriente y el punto en el que sale del aparato.
11. Utilice únicamente los aditamentos y accesorios especificados por el fabricante.

12. Desconecte este aparato durante tormentas eléctricas o cuando no vaya a usarlo por períodos prolongados.
13. Deje todo el mantenimiento en manos de personal calificado. Se requiere servicio cuando el aparato se haya dañado de cualquier modo, como por ejemplo si el cable o la clavija se dañan, si se ha derramado líquido o han caído objetos dentro del aparato, o si el aparato se ha expuesto a lluvia o humedad, no opera normalmente o se haya caído.
14. El aparato no quedará expuesto a goteos ni a salpicaduras, y no se colocarán sobre el aparato objetos llenos de líquido, tales como jarrones.



El relámpago con punta de flecha dentro de un triángulo pretende señalar al usuario que en el interior del producto hay piezas que constituyen un riesgo de choque eléctrico para las personas.



El signo de exclamación dentro de un triángulo pretende señalar al usuario que hay instrucciones importantes sobre la operación y el servicio en los documentos que vienen con la unidad.

### **Normas de seguridad adicionales para el altavoz Bluetooth®**

- **NO** salpicar ni sumergir en agua u otros líquidos.
- Tenga en cuenta que los cambios o modificaciones no aprobados expresamente por la parte responsable del cumplimiento podrían anular la autorización del usuario para operar el equipo.  
**NOTA:** La marca denominativa y los logotipos de Bluetooth® son marcas registradas propiedad de Bluetooth®, SIG, Inc. y todo uso de dichas marcas por DEWALT se hace bajo licencia. Otras marcas y nombres comerciales son de sus respectivos propietarios.
- Este aparato digital de la Clase B cumple con la norma canadiense ICES-003.

- Este dispositivo cumple con la sección 15 de las normas de la FCC. Su operación está sujeta a las siguientes dos condiciones:

- 1) Este dispositivo no puede causar interferencia dañina y
- 2) Este dispositivo debe aceptar cualquier interferencia que reciba, incluyendo aquella interferencia que podría producir una operación no deseada.

**NOTA:** Este equipo ha sido probado y se ha encontrado que cumple con los límites establecidos para dispositivos digitales Clase B, en conformidad con la Parte 15 del Reglamento de la FCC. Estos límites están diseñados para ofrecer un nivel razonable de protección contra la interferencia dañina en instalaciones residenciales. Este equipo genera, utiliza y puede emitir energía de radiofrecuencia y, si no se instala y utiliza de acuerdo a las instrucciones proporcionadas, puede producir una interferencia dañina a la comunicación radial. Sin embargo, no existen garantías de que no ocurra interferencia alguna en una instalación en particular. Si este equipo produce interferencia dañina a su recepción radial y de televisión, lo que puede ser determinado al apagar y volver a encender el equipo, se pide al usuario que corrija la interferencia implementando una o más de las siguientes medidas:

- Cambie la orientación o el lugar donde está ubicada la antena receptora.
- Aumente el espacio que separa al equipo del receptor.
- Conecte el equipo a una toma de corriente que esté en un circuito diferente al circuito al que está conectado el receptor.
- Consulte con el concesionario o con un técnico de radio y televisión con experiencia que pueda ayudarle.



- La etiqueta de su herramienta puede incluir los siguientes símbolos. La etiqueta de la placa de características está ubicada en la parte de abajo de la unidad. A continuación se indican los símbolos y sus definiciones:

V.....	voltios	A.....	amperios
Hz.....	hertz	W.....	vatios
min .....	minutos	~ o AC .....	corriente alterna
== o DC....	corriente directa	≈ o AC/DC...	corriente alterna o directa
⚠.....	Construcción de Clase I (tierra)	n.....	velocidad nominal
□.....	Construcción de Clase II (doble aislamiento)	n <sub>o</sub> .....	velocidad sin carga
.../min .....	por minuto	⊕.....	terminal de conexión a tierra
IPM.....	impactos por minuto	⚠.....	símbolo de advertencia de seguridad
sfpm.....	pies de superficie por minuto		
RPM.....	revoluciones por minuto		
BPM.....	golpes por minuto		
SPM.....	pasadas por minuto		

### Instrucciones de seguridad importantes para todas las unidades de batería

Cuando solicite unidades de batería de repuesto, no olvide indicar el número de catálogo y el voltaje. Consulte la tabla al final de este

manual para ver la compatibilidad entre cargadores y unidades de batería.

La unidad de batería no viene completamente cargada de fábrica. Antes de usar la unidad de batería y el cargador, lea las siguientes instrucciones de seguridad. Luego, siga los procedimientos de carga indicados.

### LEA TODAS LAS INSTRUCCIONES

- **No cargue o use la unidad de batería en atmósferas explosivas, como en presencia de líquidos, gases o polvos inflamables.** Puede que al insertar o sacar la unidad de batería del cargador se inflamen el polvo o los gases.
- **NUNCA fuerce la unidad de batería para que entre en el cargador. NO modifique la unidad de batería en ninguna forma para que entre en un cargador no compatible, pues puede producir una ruptura en la unidad de batería y causar lesiones corporales graves.** Consulte la tabla al final de este manual para ver la compatibilidad entre baterías y cargadores.
- Cargue las unidades de batería sólo en los cargadores designados por DEWALT.
- **NO** salpique con ni sumerja en agua u otros líquidos.
- **No guarde ni use la herramienta y unidad de batería en lugares donde la temperatura pueda alcanzar o superar los 40 °C (105 °F), tales como cobertizos o construcciones de metal durante el verano.** Almacene las unidades de batería en lugares frescos y secos para maximizar su vida útil.

**⚠ADVERTENCIA:** Peligro de incendio. Nunca intente abrir la unidad de batería por ningún motivo. Si la caja exterior de la unidad de batería se triza o daña, no la introduzca en el cargador. No triture, deje caer o dañe la unidad de batería. No use una unidad de batería o un cargador que haya sido golpeado, dejado caer, atropellado o dañado en cualquier forma (por ejemplo, perforado por un clavo, golpeado

con un martillo, pisado). Lleve sus unidades de batería dañadas al centro de servicio para que sean recicladas.

**⚠️ADVERTENCIA: Peligro de incendio. No guarde ni transporte la unidad de batería de manera que objetos metálicos puedan hacer contacto con los terminales expuestos de la batería.** Por ejemplo, no ponga la unidad de batería en delantales, bolsillos, cajas de herramientas, estuches de productos, cajones, etc., junto con clavos, tornillos, llaves, etc., sueltos. **El transporte de baterías puede causar incendios si sus terminales inadvertidamente entran en contacto con materiales conductores como llaves, monedas, herramientas de mano y otros por el estilo.** El Reglamento sobre Materiales Peligrosos (HMR) del Ministerio de Transporte de los Estados Unidos actualmente prohíbe el transporte de baterías en el comercio o en aviones (por ejemplo, embaladas en maletas y maletines de mano) A NO SER que estén debidamente protegidas para prevenir cortocircuitos. Por lo tanto, cuando transporte unidades de batería individuales, asegúrese de que sus terminales estén protegidos y debidamente aislados de materiales que pudieran entrar en contacto con ellos y causar un cortocircuito.

#### **INSTRUCCIONES DE SEGURIDAD ESPECÍFICAS PARA BATERÍAS DE IONES DE LITIO (Li-Ion)**

- **No incinere la unidad de batería, aunque esté completamente dañada o descargada. La unidad de batería puede explotar si se quema.** Cuando se queman unidades de batería de iones de litio, se producen gases y materiales tóxicos.
- **Si el contenido de la batería entra en contacto con la piel, lave el área de inmediato con agua y un jabón suave.** Si el líquido de la batería entra en contacto con sus ojos, enjuáguelos con agua y los ojos abiertos por 15 minutos o hasta que cese la irritación. Si se requiere de asistencia médica, el electrolito de la batería está compuesto por una mezcla de carbonatos orgánicos líquidos y sales de litio.

- **El contenido de los elementos abiertos de la batería puede causar irritación en el tracto respiratorio.** Salga al aire fresco. Si los síntomas persisten, busque asistencia médica.

**⚠️ADVERTENCIA: Peligro de quemaduras.** El líquido de la batería puede ser inflamable si se expone a chispas o llamas.

#### **El sello RBRC™**

El sello RBRC™ (Rechargeable Battery Recycling Corporation) en las baterías (unidades de batería) de níquel cadmio, níquel e hidruro metálico o de iones de litio indica que el costo de reciclaje de estas baterías (o unidades de batería) al llegar al final de su vida de servicio ya ha sido pagado por DEWALT. En algunas áreas, es ilegal depositar baterías de níquel cadmio, níquel e hidruro metálico o de iones de litio gastadas en la basura o la corriente de residuos sólidos urbanos; el programa RBRC proporciona una alternativa ecológica.

RBRC™, en cooperación con DEWALT y otros usuarios de baterías, han establecido programas en los Estados Unidos y Canadá para facilitar la recolección de baterías de níquel cadmio, níquel e hidruro metálico o de iones de litio gastadas. Al llevar sus baterías de níquel cadmio, níquel e hidruro metálico y de iones de litio gastadas a un centro de servicio autorizado por DEWALT o al minorista local para que sean recicladas, ayuda a proteger el medio ambiente y a conservar recursos naturales. También puede comunicarse con el centro de reciclaje de su localidad para mayor información sobre dónde llevar sus baterías gastadas.

RBRC™ es una marca comercial registrada de *Rechargeable Battery Recycling Corporation*.



## **Instrucciones importantes de seguridad para todos los cargadores de baterías**

**GUARDE ESTAS INSTRUCCIONES:** Este manual contiene instrucciones de seguridad y operación importantes para los cargadores de baterías.

- Antes de usar el cargador, lea todas las instrucciones y advertencias que se encuentren en el cargador, la unidad de batería y el producto que usa la unidad de batería.

**⚠ADVERTENCIA:** Peligro de descarga eléctrica. No permita que ningún líquido se introduzca en el cargador. Puede producir descargas eléctricas.

**⚠ATENCIÓN:** Peligro de quemaduras. Para reducir el riesgo de lesiones, sólo cargue unidades de batería recargables marca DEWALT. Otros tipos de batería podrían sobrecalentarse y reventar lo que podría resultar en lesiones corporales y daños a su propiedad.

**AVISO:** Bajo ciertas condiciones, cuando el cargador está enchufado a una toma de corriente, el cargador puede hacer cortocircuito si entra en contacto con algún material ajeno. Los materiales ajenos de naturaleza conductora, como el polvo de esmerilado, las placas de metal, la lana de acero, el papel de aluminio y otros, o cualquier acumulación de partículas metálicas deberían mantenerse alejados de las cavidades del cargador. Desenchufe siempre el cargador cuando no haya una unidad de batería en su cavidad. Desenchufe el cargador antes de intentar limpiarlo.

**⚠ADVERTENCIA:**

- **NO intente cargar la unidad de batería con otros cargadores que no sean los descritos en este manual.** El cargador y la

unidad de batería fueron específicamente diseñados para trabajar en conjunto.

- **Estos cargadores no fueron diseñados para ser utilizados para más que cargar las baterías recargables DEWALT.** Cualquier otro uso puede producir riesgo de incendios, descargas eléctricas o electrocución.
- **No exponga el cargador a la lluvia o a la nieve.**
- **Tire del enchufe y no del cable cuando desconecte el cargador.** De esta forma se reduce el riesgo de daño al enchufe y cable.
- **Asegúrese de que el cable no sea ubicado de manera que podría ser pisado, causar que alguien tropiece con él o ser expuesto a otro tipo de daños y desgastes.**
- **No use un alargador a menos que sea absolutamente necesario.** El uso de un alargador incorrecto podría producir riesgo de incendios, descargas eléctricas o electrocución.
- **Cuando opere un cargador al exterior, hágalo siempre en un lugar seco y use un alargador apropiado para uso al exterior.** El uso de un alargador apropiado para uso al exterior reduce el riesgo de descarga eléctrica.
- **Los hilos del alargador deben ser de un calibre apropiado (AWG o American Wire Gauge) para su seguridad.** Mientras menor sea el calibre del hilo, mayor la capacidad del cable. Es decir, un hilo calibre 16 tiene mayor capacidad que uno de 18. Un cable de un calibre insuficiente causará una caída en la tensión de la línea dando por resultado una pérdida de energía y sobrecalentamiento. Cuando se utilice más de un alargador

para completar el largo total, asegúrese que los hilos de cada alargador tengan el calibre mínimo. La tabla siguiente muestra el tamaño correcto a utilizar, dependiendo de la longitud del cable y del amperaje nominal de la placa de identificación. Si tiene dudas sobre cuál calibre usar, use un calibre mayor. Cuanto menor sea el número del calibre, más resistente será el cable.

Calibre mínimo para cables de alimentación						
Amperaje		Voltios	Largo total del cordón en metros (pies)			
		120 V	7,6 (25)	15,2 (50)	30,5 (100)	45,7 (150)
		240 V	15,2 (50)	30,5 (100)	61,0 (200)	91,4 (300)
Más de	No más de	AWG				
0	6		18	16	16	14
6	10		18	16	14	12
10	12		16	16	14	12
12	16		14	12	No recomendado	

- **No coloque ningún objeto encima del cargador ni coloque a este sobre una superficie blanda que pudiera bloquear las ranuras de ventilación y resultar en un calor interno excesivo.** Coloque el cargador en un lugar alejado de cualquier fuente de calor. El cargador se ventila a través de las ranuras que se encuentran en la parte superior e inferior de la caja protectora.
- **No opere el cargador si su cable o enchufe están dañados.**
- **No opere el cargador si ha recibido un golpe agudo, si se ha caído o si ha sido dañado de alguna otra forma.** Llévelo a un centro de servicio autorizado.

- **No desarme el cargador; llévelo a un centro de servicio autorizado cuando deba ser reparado.** Si es reensamblado incorrectamente, puede causar descargas eléctricas, electrocución o incendios.
- **Desenchufe el cargador antes de intentar limpiarlo. Esto reducirá el riesgo de descargas eléctricas.** El retirar el paquete de baterías no reducirá este riesgo.
- **NUNCA intente conectar 2 cargadores entre sí.**
- **El cargador está diseñado para operar con una corriente eléctrica estándar residencial de 120 V. No intente usarlo con ningún otro voltaje.** Esto no aplica al cargador vehicular.

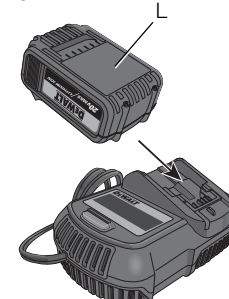
## Cargadores

Su altavoz utiliza un cargador DEWALT. Asegúrese de leer todas las instrucciones de seguridad antes de utilizar su cargador. Consulte el gráfico al final del manual para conocer la compatibilidad entre los cargadores y los paquetes de baterías.

### Procedimiento de carga (Fig. 1)

1. Enchufe el cargador en una toma de corriente apropiada antes de insertar la unidad de batería.
2. Inserte la unidad de batería (L) en el cargador, como se muestra en la Figura 1, comprobando que quede bien colocado dentro del mismo. La luz roja (de carga) parpadeará continuamente para indicar que se ha iniciado el proceso de carga.

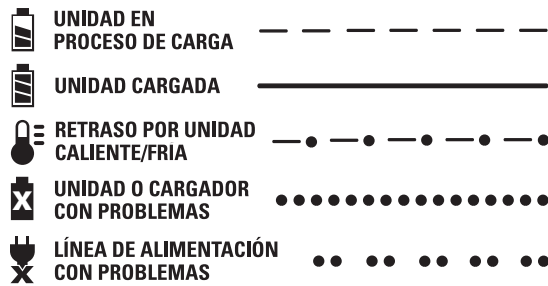
FIG. 1



3. La luz roja se quedará ENCENDIDA continuamente cuando se haya completado el proceso de carga. La unidad estará entonces completamente cargada y podrá ser utilizado de inmediato o dejarse en el cargador.

### Operación de la luz indicadora

#### DCB101



#### DCB107, DCB112



### Indicadores de carga

Este cargador ha sido diseñado para detectar ciertos problemas que pudieran surgir. Estos problemas se indican mediante una luz roja intermitente rápida. Si esto ocurre, vuelva a colocar la unidad de batería en el cargador. Si el problema persiste, pruebe con otra unidad de batería para determinar si el cargador está funcionando debidamente. Si la segunda unidad de batería carga correctamente, significa que la primera está fallada y debería ser llevada a un centro de servicio u otro lugar de colección para su reciclaje. Si la segunda unidad de batería hace que el cargador indique el mismo problema que la primera, lleve el cargador y la unidad de batería a un centro de servicio autorizado para su examinación.

#### RETARDO POR UNIDAD CALIENTE/FRÍA

##### DCB101

Este cargador tiene una función de retardo por unidad caliente/fría: cuando el cargador detecta una batería caliente, inmediatamente empieza un retardo por unidad caliente y suspende la carga hasta que la batería se haya enfriado. Una vez enfriada la batería, el cargador pasará automáticamente a la modalidad de carga de la unidad. Esta función asegura la máxima duración de su batería. La luz roja parpadeará a intervalos largos, luego cortos cuando esté en modalidad de retardo por unidad caliente/fría.

##### DCB107, DCB112

Los cargadores DCB107 y DCB112 tienen una función de retardo por batería caliente/fría. Cuando el cargador detecta una batería caliente, automáticamente retrasa la carga hasta que la batería se haya enfriado. Cuando el cargador detecta una batería fría, automáticamente retrasa la carga hasta que la batería se haya calentado.

La luz roja continuará parpadeando, pero la luz indicadora amarilla estará iluminada durante esta operación. La luz amarilla se apagará cuando el cargador reanuda proceso de carga normal.

#### **PERMANENCIA DE LA UNIDAD DE BATERÍA EN EL CARGADOR**

El cargador y la unidad de batería pueden dejarse conectados con la luz del cargador indicando que la unidad está cargada.

**UNIDADES DE BATERÍA DESGASTADAS:** Las baterías desgastadas seguirán funcionando pero no debe esperarse que tengan capacidad para la misma cantidad de trabajo.

**UNIDADES DE BATERÍA DEFECTUOSAS:** Este cargador no cargará una unidad de batería defectuosa. El cargador indicará que la unidad de batería es defectuosa al no iluminarse o al indicar que existe un problema con la unidad o el cargador.

**NOTA:** Esto también puede significar que hay un problema con el cargador.

#### **LÍNEA DE ALIMENTACIÓN CON PROBLEMAS (DCB101)**

Algunos cargadores tienen un indicador de Línea de alimentación con problemas. Cuando el cargador se utiliza con algunas fuentes de alimentación portátiles, como generadores o fuentes que convierten CC a CA, el cargador puede suspender temporalmente el funcionamiento, ocasión en la que la luz roja se encenderá y apagará rápidamente dos veces, seguido de una pausa. Esto indica que la fuente de alimentación está fuera de los límites.

#### **Montaje en la pared**

##### **DCB107, DCB112**

Estos cargadores están diseñados para montarse en la pared o colocarse en posición vertical sobre una mesa o superficie de trabajo.

Si se monta en la pared, ubicar el cargador al alcance de una toma de corriente. Montar el cargador firmemente utilizando tornillos para muro seco de un mínimo de 25,4 mm (1") de largo, atornillados en madera hasta una profundidad óptima dejando el tornillo expuesto aproximadamente 5,5 mm (7/32").

#### **Notas importantes sobre la carga**

1. Se puede obtener una mayor duración y un mejor rendimiento si la unidad de batería se carga a una temperatura ambiente de 18–24 °C (65–75 °F). NO cargue la unidad de batería a una temperatura ambiental inferior a +4,5 °C (+40 °F) o superior a +40,5 °C (+105 °F). Esto es importante y evitará causar daños graves a la batería.
2. Puede que el cargador y la unidad de batería se calienten ligeramente durante el proceso de carga. Esto es normal y no representa ningún problema. Para facilitar el enfriamiento de la unidad de batería después del uso, evite colocar el cargador o la unidad de batería en un lugar cálido, como un cobertizo metálico o un remolque sin aislamiento térmico.
3. Una unidad de batería fría se demora el doble del tiempo en cargarse que una unidad de batería caliente. La unidad de batería se cargará a ese ritmo más lento durante todo el ciclo de carga y no volverá a cargarse a la velocidad de carga máxima aún cuando la unidad de batería se caliente.
4. Si la unidad de batería no se carga correctamente:
  - a. Verifique el funcionamiento de la toma enchufando una lámpara u otro aparato;
  - b. Revise que la toma de corriente no esté conectada a un interruptor de luz que corte la corriente cuando se corte la luz;
  - c. Mueva el cargador y la unidad de batería a un lugar donde la temperatura ambiental sea aproximadamente 18–24 °C (65–75 °F);

- d. Si el problema de carga continúa, lleve el aparato, unidad de batería y el cargador a su centro de servicio local.
5. La unidad de batería debería ser recargada cuando no sea capaz de producir suficiente potencia para trabajos que eran fácilmente realizados antes. NO CONTINÚE usándola bajo estas circunstancias. Siga el procedimiento de carga. También puede cargar una unidad de batería que haya sido usada parcialmente cuando lo desee, sin dañarla.
  6. Los materiales ajenos conductores por naturaleza, tales como, pero sin limitarse a, el polvo del esmerilado, las virutas metálicas, la lana de acero, el papel de aluminio o cualquier acumulación de partículas metálicas deberían mantenerse alejados de las cavidades del cargador. Desenchufe siempre el cargador de la toma de corriente cuando no haya una unidad de batería en su cavidad. Desenchufe el cargador antes de intentar limpiarlo.
  7. No congele ni sumerja el cargador en agua o cualquier otro líquido.

**⚠ADVERTENCIA:** Peligro de descarga eléctrica. No permita que ningún líquido se introduzca en el cargador. Puede producir descargas eléctricas.

**⚠ADVERTENCIA:** Peligro de quemaduras. No sumerja la unidad de batería en líquido de ningún tipo ni permita que se introduzca ningún tipo de líquido a la unidad de batería. Nunca intente abrir la unidad de batería por ningún motivo. Si la caja plástica de la unidad de batería se triza o rompe, llévela a un centro de servicio para su reciclaje

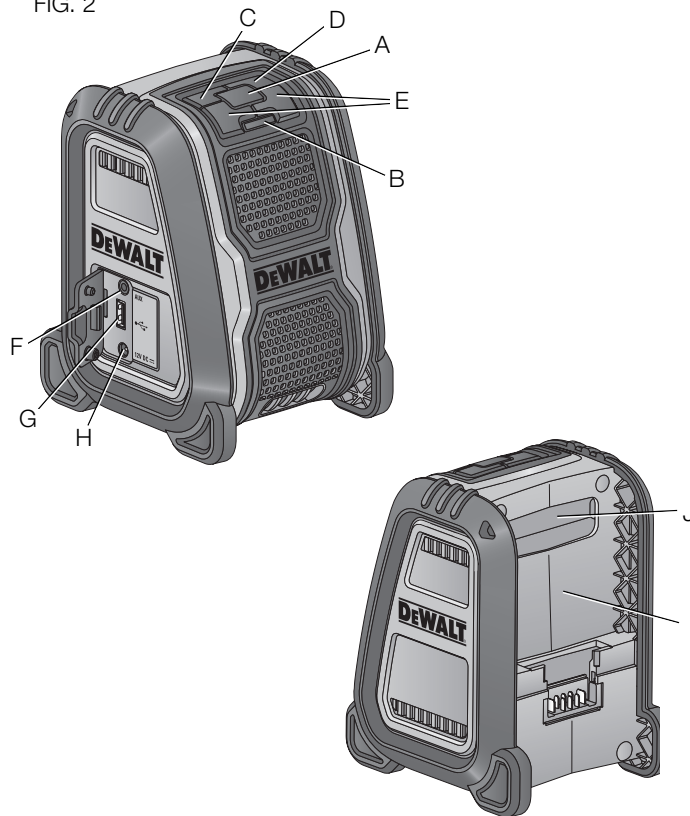
### **Recomendaciones de almacenamiento**

1. El mejor lugar de almacenamiento es uno que sea fresco y seco, lejos de la luz solar directa y del exceso de calor o frío.
2. Para resultados óptimos durante tiempos prolongados de almacenamiento, se recomienda almacenar la unidad de batería completamente cargada en un lugar fresco y seco fuera del cargador.

**NOTA:** Las unidades de batería no deberían almacenarse completamente descargadas. La unidad de batería deberá recargarse antes de ser usada.

**GUARDE ESTAS INSTRUCCIONES  
PARA VOLVER A CONSULTAR EN EL  
FUTURO**

FIG. 2



## COMPONENTES (Fig. 2)

**⚠ADVERTENCIA:** Jamás altere el aparato ni ninguna de sus piezas. Podrían producirse lesiones corporales o daños.

- |  |                               |
|--|-------------------------------|
| A. Botón de encendido                  | F. Puerto de audio AUX        |
| B. Luz indicadora LED                  | G. Puerto de alimentación USB |
| C. Botón de apareamiento de Bluetooth® | H. Terminal de entrada de CA  |
| D. Botón de pausa                      | I. Puerto de batería          |
| E. Botones de volumen +/-              | J. Asa de transporte          |

## USO DEBIDO

Este altavoz Bluetooth® de DEWALT está diseñado para reproducir/transmitir audio a través de una conexión Bluetooth® inalámbrica o una conexión con cable a un teléfono móvil u otro dispositivo de audio.

**NO** debe usarse en condiciones húmedas ni en presencia de líquidos o gases inflamables.

**NO** permita que los niños toquen el aparato. Si el operador no tiene experiencia utilizando este aparato, deberá ser supervisado.

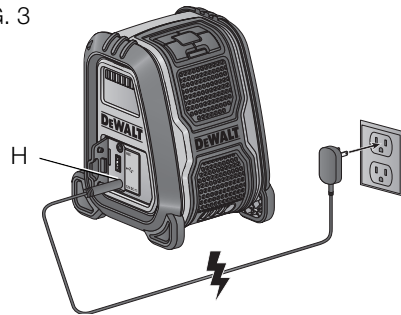
## FUNCIONAMIENTO

**⚠ADVERTENCIA:** Para disminuir el riesgo de lesiones corporales graves, apague el aparato y desconecte o extraiga la batería antes de realizar cualquier ajuste o de quitar o instalar accesorios.

El altavoz puede funcionar con potencia de corriente continua (una batería) o con un enchufe adaptador de corriente alterna. Para encender el altavoz utilizando el adaptador de CA, enchufe el adaptador a una toma de corriente apropiada y conéctelo al altavoz mediante el terminal de entrada de CA (H, Fig. 3). La batería no se cargará cuando el adaptador de CA esté enchufado.



FIG. 3



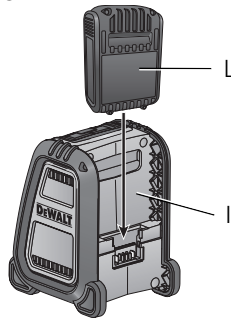
### **Instalación y extracción de la batería (Fig. 4)**

**NOTA:** Para obtener los mejores resultados, compruebe que la batería esté totalmente cargada.

Para instalar la batería (L) en el puerto de batería (I), alinee la batería con los rieles a los lados del puerto y deslicela hasta que esté bien insertada. Asegúrese de que no se libere.

Para sacar la batería del aparato, presione el botón de liberación y saque la batería del puerto tirando de ella firmemente hacia afuera. Introdúzcala en el cargador tal como se describe en la sección del cargador de este manual.

FIG. 4



### **BATERÍAS CON INDICADOR DE CARGA (FIG. 5)**

Algunas baterías DEWALT incluyen un indicador de carga que consta de tres luces LED verdes que indican el nivel de carga restante de la batería.

Para activar el indicador de carga, presione y mantenga presionado el botón del indicador de carga (K). Una combinación de las tres luces LED verdes se iluminará para designar el nivel de carga restante. Cuando el nivel de carga en la batería esté por debajo del límite utilizable, el indicador de carga no se iluminará y la batería tendrá que recargarse.

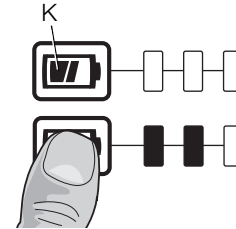
**NOTA:** El indicador de carga es solamente una indicación de la carga que queda en la batería. No indica la funcionalidad del aparato y está sujeto a variación dependiendo de los componentes del producto, la temperatura y la aplicación del usuario final.

Para obtener más información acerca de las baterías con indicador de carga, llame al 1-800-4-DEWALT (1-800-433-9258) o visite nuestro sitio web [www.dewalt.com](http://www.dewalt.com).

### **Funcionalidad (Fig. 6, 7)**

El audio puede reproducirse mediante el altavoz a través de una conexión Bluetooth® inalámbrica con un dispositivo Bluetooth® compatible o conectando el dispositivo de audio o el teléfono móvil al puerto de audio (F) utilizando un cable de audio de 3,5 mm (1/8").

FIG. 5



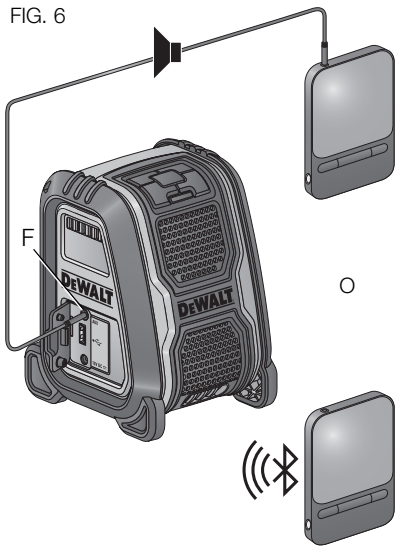


FIG. 6

**ENCENDIDO Y APAGADO DEL ALTAVOZ (FIG. 7)**

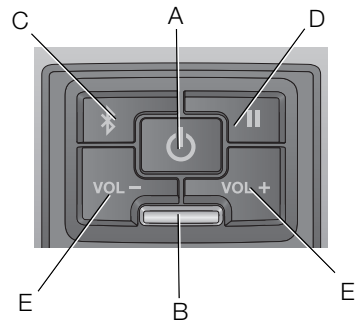
Al presionar el botón de encendido (A) el altavoz se encenderá o se apagará. Cuando esté encendido, el indicador LED (B) indicará el estado del altavoz.

Cuando se utilice por primera vez, será necesario realizar el apareamiento del altavoz. Para aparear el altavoz con un dispositivo Bluetooth® consulte la sección **Apareamiento del altavoz con un dispositivo de audio Bluetooth®**.

**INDICADOR DE ESTADO DEL ALTAVOZ LED**

Indicador LED	Estado/modo
Parpadeo continuo (intervalo de medio segundo)	El altavoz no está apareado o en modo de conexión.
Parpadeo rápido	El altavoz está en modo de apareamiento y es reconocible por su dispositivo.
Luz continua	El altavoz está conectado a un dispositivo.
Sin luz	El tiempo de espera se ha agotado y/o el altavoz está apagado.

FIG. 7



### **APAREAMIENTO DEL ALTAVOZ CON UN DISPOSITIVO DE AUDIO BLUETOOTH® (FIG. 6, 7)**

1. Coloque el altavoz y la fuente de audio Bluetooth® a un metro (3,3') de distancia entre sí.
2. Encienda el altavoz presionando el botón de encendido (A). La luz LED (B) estará continua durante 4 segundos para indicar que el aparato se ha encendido con éxito y luego iniciará un patrón de parpadeo con un intervalo de medio segundo.
3. Presione el botón de apareamiento de Bluetooth® (C). La luz indicadora LED parpadea rápidamente para indicar que el altavoz está en modo de apareamiento y es reconocible por su dispositivo Bluetooth®.
4. Confirmar el apareamiento en su dispositivo. (Por favor consulte el manual de instrucciones de su dispositivo para obtener instrucciones de apareamiento específicas).  
**NOTA:** Si no se confirma el apareamiento en 2 minutos, el LED dejará de estar intermitente y el altavoz se volverá al intervalo de parpadeo de medio segundo.
5. Una vez que el apareamiento se haya realizado con éxito, el indicador LED (B) se mostrará con luz continua y el altavoz emitirá un corto tono. El altavoz reproducirá ahora música de su dispositivo.

### **CONEXIÓN CON UN DISPOSITIVO DE AUDIO BLUETOOTH® PREVIAMENTE APAREADO (FIG. 1, 7)**

Si un dispositivo Bluetooth® ha sido previamente apareado con un altavoz, debería volver a conectarse automáticamente cuando se encienda el altavoz. Después de 4 segundos el altavoz pasará a modo de conexión. Esto se indica por el LED (B) con luz intermitente constante. Una vez que se reconoce y se conecta el dispositivo Bluetooth® previamente apareado, el LED mostrará una luz constante.

Si la conexión no ocurre y usted no puede transmitir música, siga las instrucciones que se indican para **Apareamiento del altavoz con un dispositivo de audio Bluetooth®**.

### **AJUSTE DEL VOLUMEN DEL ALTAVOZ (FIG. 7)**

El volumen del altavoz puede bajarse o subirse utilizando los botones de volumen correspondientes (E). Al presionar el botón "VOL +" se sube el volumen. Al presionar el botón "VOL -" se baja el volumen. El botón de pausa (D) puede silenciar el altavoz a cualquier volumen al presionarlo una vez. Al presionar el botón de pausa otra vez se desactivará la pausa del altavoz. El altavoz emitirá un tono cuando se haya alcanzado el volumen máximo o mínimo.

### **FUNCIONALIDAD DE TIEMPO DE ESPERA (FIG. 1)**

Para conservar la duración de la batería el altavoz está diseñado para apagarse automáticamente después de una hora de inactividad. Esta inactividad puede deberse a que el dispositivo no esté apareado durante una hora o en el caso de que la conexión Bluetooth® se haya interrumpido durante el mismo período de tiempo. Si el altavoz se apaga debido a una inactividad de cualquier tipo, consulte la sección **Conexión con un dispositivo de audio Bluetooth® previamente apareado**.

**NOTA:** El rango de transmisión óptimo de Bluetooth® al altavoz es aproximadamente 9 m (30') (línea de visión) pero son posibles distancias de hasta 30,5 m (100'). Los obstáculos físicos y otros dispositivos inalámbricos o electromagnéticos pueden afectar la calidad de la conexión.

Si se pierde la conexión Bluetooth® debido a un exceso del tiempo de separación, un exceso de la distancia óptima, a obstáculos o a otros motivos, puede ser necesario volver a conectar su dispositivo con el altavoz.

### **CARGA DE UN TELÉFONO CELULAR O DISPOSITIVO DE AUDIO A TRAVÉS DE USB (FIG. 1)**

Su dispositivo de audio o teléfono móvil pueden cargarse utilizando un terminal de alimentación USB (G) en el altavoz. Esta carga es posible cuando la unidad está encendida, funcionando con potencia de un enchufe de CA o con una batería.

### **Notas importantes sobre el altavoz Bluetooth®**

1. Cuando reciba una llamada en un teléfono móvil que se transmita al altavoz Bluetooth®, la música se parará automáticamente. Una vez que se termine la llamada, la música volverá a reproducirse.

#### **AUDIO DE LLAMADA TELEFÓNICA A TRAVÉS DEL ALTAVOZ BLUETOOTH**

Dependiendo de su dispositivo, es posible que el audio de una llamada telefónica se reproduzca a través del altavoz Bluetooth®. Esto depende del dispositivo y de la configuración de los dispositivos. Consulte el manual del propietario de los dispositivos para obtener información sobre capacidad y configuración.

2. Debido a las características de la tecnología Bluetooth®, el sonido que se escucha a través del altavoz Bluetooth® tiene un ligero retraso con respecto al sonido que se reproduce en su dispositivo de audio o teléfono móvil mientras habla por teléfono o se transmite música.

### **MANTENIMIENTO**

**⚠ADVERTENCIA:** *Para disminuir el riesgo de lesiones corporales graves, apague el aparato y desconecte o extraiga la batería antes de realizar cualquier ajuste o de quitar o instalar accesorios.*

### **Limpieza**

**⚠ADVERTENCIA:** *No use nunca disolventes ni otros productos químicos fuertes para limpiar las piezas no metálicas del aparato. Estos productos químicos pueden debilitar los materiales de plástico utilizados en estas piezas. Use un paño humedecido únicamente con agua y jabón suave. No deje que entre nunca líquido dentro del aparato y no sumerja nunca ninguna parte del aparato en un líquido.*

### **Accesorios**

**⚠ADVERTENCIA:** *Debido a que no se han probado con este producto otros accesorios que no sean los que ofrece DEWALT., el uso de dichos accesorios con esta herramienta podría ser peligroso. Para reducir el riesgo de lesiones, con este producto deben usarse sólo los accesorios recomendados por DEWALT.*

Los accesorios que se recomiendan para utilizar con la herramienta están disponibles a un costo adicional en su distribuidor local o en un centro de mantenimiento autorizado. Si necesita ayuda para localizar algún accesorio, póngase en contacto con DEWALT Industrial Tool Co., 701 East Joppa Road, Towson, MD 21286, llame al 1-800-4-DEWALT (1-800-433-9258) o visite nuestro sitio web: [www.dewalt.com](http://www.dewalt.com).

### **Reparaciones**

El cargador y las unidades de batería no pueden ser reparados. Para asegurar la SEGURIDAD y la CONFIABILIDAD del producto, las reparaciones, el mantenimiento y los ajustes deben (inclusive inspección y cambio de carbones) ser realizados en un centro de mantenimiento en la fábrica DEWALT, en un centro de mantenimiento autorizado DEWALT u por otro personal de mantenimiento calificado. Utilice siempre piezas de repuesto idénticas.

**PARA REPARACIÓN Y SERVICIO DE SUS HERRAMIENTAS  
ELÉCTRICAS, FAVOR DE DIRIGIRSE AL CENTRO DE  
SERVICIO MÁS CERCANO**

**CULIACAN, SIN**

Blvd. Emiliano Zapata 5400-1 Poniente  
Col. San Rafael (667) 717 89 99

**GUADALAJARA, JAL**

Av. La Paz #1779 - Col. Americana Sector Juárez (33) 3825 6978

**MEXICO, D.F.**

Eje Central Lázaro Cárdenas No. 18  
Local D, Col. Obrera (55) 5588 9377

**MERIDA, YUC**

Calle 63 #459-A - Col. Centro (999) 928 5038

**MONTERREY, N.L.**

Av. Francisco I. Madero 831 Poniente - Col. Centro (818) 375 23 13

**PUEBLA, PUE**

17 Norte #205 - Col. Centro (222) 246 3714

**QUERETARO, QRO**

Av. San Roque 274 - Col. San Gregorio (442) 2 17 63 14

**SAN LUIS POTOSI, SLP**

Av. Universidad 1525 - Col. San Luis (444) 814 2383

**TORREON, COAH**

Blvd. Independencia, 96 Pte. - Col. Centro (871) 716 5265

**VERACRUZ, VER**

Prolongación Díaz Mirón #4280 - Col. Remes (229) 921 7016

**VILLAHERMOSA, TAB**

Constitución 516-A - Col. Centro (993) 312 5111

**PARA OTRAS LOCALIDADES:**

**Si se encuentra en México, por favor llame al (55) 5326 7100**

**Si se encuentra en U.S., por favor llame al**

**1-800-433-9258 (1-800 4-DEWALT)**

***Póliza de Garantía***

IDENTIFICACIÓN DEL PRODUCTO:

Sello o firma del Distribuidor.

Nombre del producto: \_\_\_\_\_ Mod./Cat.: \_\_\_\_\_

Marca: \_\_\_\_\_ Núm. de serie: \_\_\_\_\_

(Datos para ser llenados por el distribuidor)

Fecha de compra y/o entrega del producto: \_\_\_\_\_

Nombre y domicilio del distribuidor donde se adquirió el producto: \_\_\_\_\_

Este producto está garantizado por un año a partir de la fecha de entrega, contra cualquier defecto en su funcionamiento, así como en materiales y mano de obra empleados para su fabricación. Nuestra garantía incluye la reparación o reposición del producto y/o componentes sin cargo alguno para el cliente, incluyendo mano de obra, así como los gastos de transportación razonablemente erogados derivados del cumplimiento de este certificado.

Para hacer efectiva esta garantía deberá presentar su herramienta y esta póliza sellada por el establecimiento comercial donde se adquirió el producto, de no contar con ésta, bastará la factura de compra.

**EXCEPCIONES**

Esta garantía no será válida en los siguientes casos:

- Cuando el producto se hubiese utilizado en condiciones distintas a las normales;
- Cuando el producto no hubiese sido operado de acuerdo con el instructivo de uso que se acompaña;

**Español**

- Cuando el producto hubiese sido alterado o reparado por personas distintas a las enlistadas al final de este certificado.

Anexo encontrará una relación de sucursales de servicio de fábrica, centros de servicio autorizados y franquiciados en la República Mexicana, donde podrá hacer efectiva su garantía y adquirir partes, refacciones y accesorios originales.

### **Registro en línea**

Gracias por su compra. Registre su producto ahora para:

- **SERVICIO EN GARANTÍA:** Si completa esta tarjeta, podrá obtener un servicio en garantía más eficiente, en caso de que exista un problema con su producto.
- **CONFIRMACIÓN DE PROPIEDAD:** En caso de una pérdida que cubra el seguro, como un incendio, una inundación o un robo, el registro de propiedad servirá como comprobante de compra.
- **PARA SU SEGURIDAD:** Si registra el producto, podremos comunicarnos con usted en el caso improbable que se deba enviar una notificación de seguridad conforme a la Federal Consumer Safety Act (Ley Federal de Seguridad de Productos para el Consumidor).

Registro en línea en [www.dewalt.com/register](http://www.dewalt.com/register).

### **Garantía limitada por tres años**

DEWALT reparará, sin cargo, cualquier falla que surja de defectos en el material o la fabricación del producto, por hasta tres años a contar de la fecha de compra. Esta garantía no cubre fallas de las piezas causadas por su desgaste normal o abuso a la herramienta. Para mayores detalles sobre la cobertura de la garantía e información acerca de reparaciones realizadas bajo garantía, visítenos en [www.dewalt.com](http://www.dewalt.com) o diríjase al centro de servicio más cercano. Esta garantía no aplica a accesorios o a daños causados por reparaciones realizadas o intentadas por terceros. Esta garantía le otorga derechos

legales específicos, además de los cuales puede tener otros dependiendo del estado o la provincia en que se encuentre.

Además de la garantía, las herramientas DEWALT están cubiertas por:

#### **1 AÑO DE SERVICIO GRATUITO**

DEWALT mantendrá la herramienta y reemplazará las piezas gastadas por su uso normal, sin cobro, en cualquier momento durante un año a contar de la fecha de compra. Los artículos gastados por la clavadora, tales como la unidad de hoja y retorno del impulsador, no están cubiertas.

#### **2 AÑOS DE SERVICIO GRATUITO PARA UNIDADES DE ALIMENTACIÓN DEWALT**

DC9071, DC9091, DC9096, DC9280, DC9360, DC9180, DCB120, DCB201 y DCB203

#### **3 AÑOS DE SERVICIO GRATUITO PARA UNIDADES DE ALIMENTACIÓN DEWALT**

DCB200, DCB204

#### **UNIDADES DE BATERÍA DEWALT**

La garantía del producto quedará nula si la unidad de batería ha sido alterada de cualquier manera. DEWALT no es responsable de ninguna lesión causada por alteraciones y podría iniciar un procedimiento judicial por fraude de garantía hasta el máximo grado permisible por la ley.

#### **GARANTÍA DE REEMBOLSO DE SU DINERO POR 90 DÍAS**

Si no está completamente satisfecho con el desempeño de su máquina herramienta, láser o clavadora DEWALT, cualquiera sea el motivo, podrá devolverlo hasta 90 días de la fecha de compra con su recibo y obtener el reembolso completo de su dinero – sin necesidad de responder a ninguna pregunta.

**AMÉRICA LATINA:** Esta garantía no se aplica a los productos que se venden en América Latina. Para los productos que se venden en América Latina, debe consultar la información de la garantía específica del país que viene en el empaque, llamar a la compañía local o visitar el sitio Web a fin de obtener esa información.

**REEMPLAZO GRATUITO DE LAS ETIQUETAS DE ADVERTENCIAS:** Si sus etiquetas de advertencia se vuelven ilegibles o faltan, llame al 1-800-433-9258 (1-800-4-DEWALT) para que se le reemplacen gratuitamente.



## ESPECIFICACIONES

DCR006 12/20 V Máx\*

SOLAMENTE PARA PROPÓSITO DE MÉXICO:  
IMPORTADO POR: DEWALT INDUSTRIAL TOOL CO. S.A. DE C.V.  
AVENIDA ANTONIO DOVALI JAIME, # 70 TORRE B PISO 9  
COLONIA LA FE, SANTA FÉ  
CÓDIGO POSTAL : 01210  
DELEGACIÓN ALVARO OBREGÓN  
MÉXICO D.F.  
TEL. (52) 555-326-7100  
R.F.C.: BDE810626-1W7

Para servicio y ventas consulte  
"HERRAMIENTAS ELECTRICAS"  
en la sección amarilla.



DEWALT Battery and Charger Systems																											
		Chargers/Charge Time (Minutes) – Chargeurs/Durée de charge (Minutes) – Cargadores de baterías/Tiempo de carga (Minutos)																									
Battery Cat #	Output Voltage	120 Volts																			12 Volts						
		DC011	DC022	DC9090	DC9310	DC9320	DCB095	DCB100	DCB101	DCB102	DCB103	DCB106	DCB107	DCB112	DW911	DW9106	DW9107	DW9108	DW9116	DW9117	DW9118	DW9216	DW9226	DW0246	DCB119	DW0249	DW9109
DC9360	36	X	X	45	X	X	X	X	X	X	X	X	X	X	X	X	X	X	X	X	X	X	X	X	X	X	X
DCB361	36	X	X	45	X	X	X	X	X	X	X	X	X	X	X	X	X	X	X	X	X	X	X	X	X	X	X
DC9280	28	X	X	60	X	X	X	X	X	X	X	X	X	X	X	X	X	X	X	X	X	X	X	X	X	X	X
DW0242	24	X	X	X	X	X	X	X	X	X	X	X	X	X	X	X	X	X	X	X	X	X	X	60	X	60	X
DCB200	20	X	X	X	X	X	X	X	60	60	60	140	140	90	X	X	X	X	X	X	X	X	X	90	X	X	X
DCB201	20	X	X	X	X	X	X	X	30	30	30	70	70	45	X	X	X	X	X	X	X	X	X	45	X	X	X
DCB203	20	X	X	X	X	X	X	X	35	35	35	90	90	60	X	X	X	X	X	X	X	X	60	X	X	X	X
DCB204	20	X	X	X	X	X	X	X	70	70	70	185	185	120	X	X	X	X	X	X	X	X	120	X	X	X	X
DCB205	20	X	X	X	X	X	X	X	90	90	90	240	240	150	X	X	X	X	X	X	X	X	150	X	X	X	X
DCB207	20	X	X	X	X	X	X	X	30	30	30	60	60	40	X	X	X	X	X	X	X	X	X	X	X	X	X
DC9096	18	60	60	X	60	60	X	X	X	X	60	X	X	60	X	X	60	60	20	X	60	130	X	X	X	60	60
DC9099	18	45	45	X	45	45	X	X	X	X	45	X	X	45	X	X	45	15	X	45	95	X	X	X	X	45	45
DC9180	18	X	X	X	60	60	X	X	X	X	60	X	X	X	X	X	X	X	X	X	X	X	X	X	X	X	60
DC9181	18	X	X	X	30	30	X	X	X	X	30	X	X	X	X	X	X	X	X	X	X	X	X	X	X	X	30
DW9096	18	60	60	X	60	60	X	X	X	X	60	X	X	60	X	X	60	60	20	X	60	130	X	X	X	60	60
DW9098	18	30	30	X	30	30	X	X	X	X	30	X	X	30	X	X	30	30	12	X	30	60	X	X	X	30	30
DW9099	18	45	45	X	45	45	X	X	X	X	45	X	X	45	X	X	45	15	X	45	95	X	X	X	X	45	45
DC9091	14.4	60	60	X	60	60	X	X	X	X	60	X	X	60	90	60	60	60	20	115	60	115	X	X	X	60	60
DC9094	14.4	45	45	X	45	45	X	X	X	X	45	X	X	45	60	45	45	45	15	90	45	90	X	X	X	45	45
DW9091	14.4	45	45	X	45	45	X	X	X	X	45	X	X	45	60	45	45	45	15	90	45	90	X	X	X	45	45
DW9094	14.4	30	30	X	30	30	X	X	X	X	30	X	X	30	45	30	30	30	12	60	30	60	X	X	X	30	30
DCB120	12	X	X	X	X	X	X	40	30	30	30	X	60	45	X	X	X	X	X	X	X	X	45	X	X	X	X
DCB127	12	X	X	X	X	X	X	X	35	35	35	90	60	X	X	X	X	X	X	X	X	X	60	X	X	X	X
DC9071	12	60	60	X	60	60	X	X	X	X	60	X	X	60	90	60	60	60	20	115	60	115	X	X	X	60	60
DW9050	12	X	X	X	X	X	X	X	X	X	X	X	X	40	X	X	X	X	X	X	X	X	X	X	X	X	X
DW9071	12	45	45	X	45	45	X	X	X	X	45	X	X	45	60	45	45	45	15	90	45	90	X	X	X	45	45
DW9072	12	30	30	X	30	30	X	X	X	X	30	X	X	30	45	30	30	30	12	60	30	60	X	X	X	30	30
DW9048	9.6	X	X	X	X	X	X	X	X	X	X	X	X	40	X	X	X	X	X	X	X	X	X	X	X	X	X
DW9061	9.6	45	45	X	45	45	X	X	X	X	45	X	X	45	60	45	45	45	15	90	45	90	X	X	X	45	45
DW9062	9.6	30	30	X	30	30	X	X	X	X	30	X	X	30	45	30	30	30	12	60	30	60	X	X	X	30	30
DCB080	8	X	X	X	X	X	60	X	X	X	X	X	X	X	X	X	X	X	X	X	X	X	X	X	X	X	X
DW9057	7.2	30	30	X	30	30	X	X	X	X	30	X	X	30	45	30	30	30	12	60	30	60	X	X	X	30	30

\*X\* Indicates that the battery pack is not compatible with that specific charger.  
 \*X\* indique que le bloc-piles n'est pas compatible avec ce chargeur.  
 Una \*X\* indica que el paquete de baterías no es compatible con ese determinado cargador.

All charge times are approximate. Actual charge time may vary. Read the instruction manual for more specific information.  
 Les durées de charge sont approximatives; la durée de charge réelle peut varier. Lire le manuel d'utilisation pour obtenir des renseignements plus précis.  
 El tiempo de duración de carga es aproximado; la duración de carga real puede variar. Lea el manual de instrucciones para obtener información más precisa.

DEWALT Industrial Tool Co., 701 East Joppa Road, Towson, MD 21286  
 (JUN14) Part No. N409555 DCR006 Copyright © 2014 DEWALT

The following are trademarks for one or more DEWALT power tools: the yellow and black color scheme; the “D” shaped air intake grill; the array of pyramids on the handgrip; the kit box configuration; and the array of lozenge-shaped humps on the surface of the tool.

- \* Maximum initial battery voltage (measured without a workload) is 20 volts. Nominal voltage is 18.
- \* La tension initiale maximum du bloc-piles (mesurée à vide) est de 20 volts. La tension nominale est de 18.
- \* El máximo voltaje inicial de la batería (medido sin carga de trabajo) es 20 voltios. El voltaje nominal es de 18.