

PORTER CABLE®

20V Max* 1/2 inch (13mm) Brushless Drill / Driver

Perceuse visseuse sans balai de 13 mm (1/2 po) et 20 V Max*

Taladro/atornillador sin escobillas de 20V Máx* de 1/2 pulg. (13 mm)



www.portercable.com

Thank you for choosing PORTER-CABLE! To register your new product, go to: www.portercable.com/ServiceAndSupport/ProductRegistration.aspx

Merci d'avoir choisi PORTER-CABLE! Consulter le site Web www.portercable.com/ServiceAndSupport/ProductRegistration.aspx pour enregistrer votre nouveau produit.

Gracias por elegir PORTER-CABLE usted! Para registrar su nuevo producto, visite: www.portercable.com/ServiceAndSupport/ProductRegistration.aspx

INSTRUCTIVO DE OPERACIÓN, CENTROS DE SERVICIO Y PÓLIZA DE GARANTÍA.

⚠ ADVERTENCIA: LÉASE ESTE INSTRUCTIVO ANTES DE USAR EL PRODUCTO.

*Maximum initial battery pack voltage (measured without a workload) is 20 volts. Measured under a workload, nominal voltage is 18.

*La tension initiale maximale du bloc-piles (mesurée sans charge de travail) est de 20 volts. La tension nominale est de 18.

*El máximo voltaje inicial del paquete de baterías (medido sin una carga de trabajo) es 20 voltios. la tensión nominal es de 18.

Instruction manual
Manuel d'instructions
Manual de instrucciones

CATALOG NUMBER
N° DE CATALOGUE
CATÁLOGO N°
PCC608

SAFETY GUIDELINES - DEFINITIONS

It is important for you to read and understand this manual. The information it contains relates to protecting YOUR SAFETY and PREVENTING PROBLEMS. The symbols below are used to help you recognize this information.

⚠ DANGER: Indicates an imminently hazardous situation which, if not avoided, will result in death or serious injury.

⚠ WARNING: *Indicates a potentially hazardous situation which, if not avoided, could result in death or serious injury.*

⚠ CAUTION: *Indicates a potentially hazardous situation which, if not avoided, may result in minor or moderate injury.*

NOTICE: *Used without the safety alert symbol indicates potentially hazardous situation which, if not avoided, may result in property damage.*

General Power Tool Safety Warnings

⚠ WARNING: Read all safety warnings and all instructions. *Failure to follow the warnings and instructions may result in electric shock, fire and/or serious injury.*

SAVE ALL WARNINGS AND INSTRUCTIONS FOR FUTURE REFERENCE

The term "power tool" in the warnings refers to your mains-operated (corded) power tool or battery-operated (cordless) power tool.

1) WORK AREA SAFETY

- Keep work area clean and well lit.** *Cluttered or dark areas invite accidents.*
- Do not operate power tools in explosive atmospheres, such as in the presence of flammable liquids, gases or dust.** *Power tools create sparks which may ignite the dust or fumes.*
- Keep children and bystanders away while operating a power tool.** *Distractions can cause you to lose control.*

2) ELECTRICAL SAFETY

- Power tool plugs must match the outlet. Never modify the plug in any way. Do not use any adapter plugs with earthed (grounded) power tools.** *Unmodified plugs and matching outlets will reduce risk of electric shock.*
- Avoid body contact with earthed or grounded surfaces such as pipes, radiators, ranges and refrigerators.** *There is an increased risk of electric shock if your body is earthed or grounded.*
- Do not expose power tools to rain or wet conditions.** *Water entering a power tool will increase the risk of electric shock.*

- Do not abuse the cord. Never use the cord for carrying, pulling or unplugging the power tool. Keep cord away from heat, oil, sharp edges or moving parts.** *Damaged or entangled cords increase the risk of electric shock.*
- When operating a power tool outdoors, use an extension cord suitable for outdoor use.** *Use of a cord suitable for outdoor use reduces the risk of electric shock.*
- If operating a power tool in a damp location is unavoidable, use a ground fault circuit interrupter (GFCI) protected supply.** *Use of a GFCI reduces the risk of electric shock.*

3) PERSONAL SAFETY

- Stay alert, watch what you are doing and use common sense when operating a power tool. Do not use a power tool while you are tired or under the influence of drugs, alcohol or medication.** *A moment of inattention while operating power tools may result in serious personal injury.*
- Use personal protective equipment. Always wear eye protection.** *Protective equipment such as dust mask, nonskid safety shoes, hard hat, or hearing protection used for appropriate conditions will reduce personal injuries.*
- Prevent unintentional starting. Ensure the switch is in the off position before connecting to power source and/ or battery pack, picking up or carrying the tool.** *Carrying power tools with your finger on the switch or energizing power tools that have the switch on invites accidents.*
- Remove any adjusting key or wrench before turning the power**

tool on. A wrench or a key left attached to a rotating part of the power tool may result in personal injury.

- e) Do not overreach. Keep proper footing and balance at all times.**

This enables better control of the power tool in unexpected situations.

- f) Dress properly. Do not wear loose clothing or jewelry. Keep your hair, clothing and gloves away from moving parts.** Loose clothes, jewelry or long hair can be caught in moving parts.

- g) If devices are provided for the connection of dust extraction and collection facilities, ensure these are connected and properly used.**

Use of dust collection can reduce dust-related hazards.

4) POWER TOOL USE AND CARE

- a) Do not force the power tool. Use the correct power tool for your application.** The correct power tool will do the job better and safer at the rate for which it was designed.

- b) Do not use the power tool if the switch does not turn it on and off.** Any power tool that cannot be controlled with the switch is dangerous and must be repaired.

- c) Disconnect the plug from the power source and/or the battery pack from the power tool before making any adjustments, changing accessories, or storing power tools.** Such preventive safety measures reduce the risk of starting the power tool accidentally.

- d) Store idle power tools out of the reach of children and do not allow persons unfamiliar with the power tool or these instructions to operate the power tool.** Power tools are dangerous in the hands of untrained users.

- e) Maintain power tools. Check for misalignment or binding of moving parts, breakage of parts and any other condition that may affect the power tool's operation. If damaged, have the power tool repaired before use.** Many accidents are caused by poorly maintained power tools.

- f) Keep cutting tools sharp and clean.** Properly maintained cutting tools with sharp cutting edges are less likely to bind and are easier to control.

- g) Use the power tool, accessories and tool bits, etc. in accordance with these instructions, taking into account the working conditions**

and the work to be performed.

Use of the power tool for operations different from those intended could result in a hazardous situation.

5) BATTERY TOOL USE AND CARE

- a) Recharge only with the charger specified by the manufacturer.** A charger that is suitable for one type of battery pack may create a risk of fire when used with another battery pack.

- b) Use power tools only with specifically designated battery packs.** Use of any other battery packs may create a risk of injury and fire.

- c) When battery pack is not in use, keep it away from other metal objects like paper clips, coins, keys, nails, screws, or other small metal objects that can make a connection from one terminal to another.** Shorting the battery terminals together may cause burns or a fire.

- d) Under abusive conditions, liquid may be ejected from the battery, avoid contact. If contact accidentally occurs, flush with water. If liquid contacts eyes, additionally seek medical help.** Liquid ejected from the battery may cause irritation or burns.

6) SERVICE

- a) Have your power tool serviced by a qualified repair person using only identical replacement parts.** This will ensure that the safety of the power tool is maintained.

Drill Safety Warnings

- **Wear ear protectors with impact drills.**
Exposure to noise can cause hearing loss.
- **Use auxiliary handle(s), if supplied with the tool.** Loss of control can cause personal injury.
- **Hold power tool by insulated gripping surfaces, when performing an operation where the cutting accessory may contact hidden wiring.** Cutting accessory contacting a "live" wire may make exposed metal parts of the power tool "live" and could give the operator an electric shock.
- **Use clamps or another practical way to secure and support the work piece to a stable platform.** Holding the work by hand or against your body leaves it unstable and may lead to loss of control.
- **Do not operate this tool for long periods of time.** Vibration caused by the operating action of this tool may cause permanent injury to fingers, hands,

and arms. Use gloves to provide extra cushion, take frequent rest periods, and limit daily time of use.

- **Keep your hair, clothing, and gloves away from air vents.** Air vents often cover moving parts in which these items can be caught.
- **Hammer bits and tools get hot during operation.** Wear gloves when touching them.
- **Hold tool firmly with two hands, one hand on the handle, and the other gripping the bottom around the battery area or the auxiliary handle if provided.** Loss of control can cause personal injury.
- **When not in use, place tool on its side on a stable surface where it will not cause a tripping or falling hazard.** Some tools with large battery packs will stand upright but may be easily knocked over.
- **Wear safety goggles or other eye protection.** Hammering and drilling operations cause chips to fly. Flying particles can cause permanent eye damage. Everyday eyeglasses are NOT safety glasses. Also use face or dust mask if drilling operation is dusty. ALWAYS WEAR CERTIFIED SAFETY EQUIPMENT:

- ANSI Z87.1 eye protection (CAN/CPA Z94.3),
- ANSI S12.6 (S3.19) hearing protection,
- NOSH/OSHA respiratory protection.

⚠ WARNING: Some dust created by power sanding, sawing, grinding, drilling, and other construction activities contains chemicals known to the state of California to cause cancer, birth defects or other reproductive harm.

Some examples of these chemicals are:

- lead from lead-based paints,
- crystalline silica from bricks and cement and other masonry products, and
- arsenic and chromium from chemically-treated lumber.

Your risk from these exposures varies, depending on how often you do this type of work. To reduce your exposure to these chemicals: work in a well ventilated area, and work with approved safety equipment, such as those dust masks that are specially designed to filter out microscopic particles.

- **Avoid prolonged contact with dust from power sanding, sawing, grinding, drilling, and other construction activities. Wear protective clothing and wash exposed areas with soap and water.** Allowing dust to get into your mouth, eyes, or lay on the skin may promote absorption of harmful chemicals.

⚠ WARNING: Use of this tool can generate and/or disperse dust, which may cause serious and permanent respiratory

or other injury. Always use NOSH/OSHA approved respiratory protection appropriate for the dust exposure. Direct particles away from face and body.

SYMBOLS

The label on your tool may include the following symbols. The symbols and their definitions are as follows:

V.....	volts
A.....	amperes
Hz.....	hertz
W.....	watts
min.....	minutes
~ or AC.....	alternating current
— or DC.....	direct current
no.....	no load speed
⚠.....	Class I Construction
⊕.....	earthing terminal (grounded)
⚠.....	safety alert symbol
⊞.....	Class II Construction (double insulated)
.../min or rpm.....	revolutions or reciprocation per minute
📖.....	Read instruction manual before use
🧐.....	Use proper respiratory protection
🕶.....	Use proper eye protection
👂.....	Use proper hearing protection
BPM.....	beats per minute

IMPORTANT SAFETY INSTRUCTIONS FOR BATTERY CHARGERS

SAVE THESE INSTRUCTIONS: This manual contains important safety instructions for battery chargers.

⚠ WARNING: Before using charger, read all instructions and cautionary markings on charger, battery pack, and product using battery pack.

- **Shock hazard.** Do not allow any liquid to get inside charger.
- **Burn hazard.** To reduce the risk of injury, charge only designated **PORTER-CABLE** batteries. Other types of batteries may burst causing personal injury and damage.
- Under certain conditions, with the charger plugged in to the power supply, the charger can be shorted by foreign material. Foreign materials of a conductive nature such as, but not limited to, steel wool, aluminum foil, or any buildup of metallic particles should be kept away from charger cavities. Always unplug the charger from the power supply when there is no battery pack in the cavity. Unplug charger before attempting to clean.
- **DO NOT attempt to charge the battery**

pack with any chargers other than the ones in this manual. *The charger and battery pack are specifically designed to work together.*

- **These chargers are not intended for any uses other than charging designated PORTER-CABLE rechargeable batteries.** *Any other uses may result in risk of fire, electric shock or electrocution.*
- **Do not expose charger to rain or snow.**
- **Pull by plug rather than cord when disconnecting charger.** *This will reduce risk of damage to electric plug and cord.*
- **Make sure that cord is located so that it will not be stepped on, tripped over, or otherwise subjected to damage or stress.**
- **Do not use an extension cord unless it is absolutely necessary.** *Use of improper extension cord could result in risk of fire, electric shock, or electrocution.*
- **An extension cord must have adequate wire size (AWG or American Wire Gauge) for safety.** *The smaller the gauge number of the wire, the greater the capacity of the cable, that is 16 gauge has more capacity than 18 gauge. When using more than one extension to make up the total length, be sure each individual extension contains at least the minimum wire size.*
- **Do not place any object on top of charger or place the charger on a soft surface that might block the ventilation slots and result in excessive internal heat. Place the charger in a position away from any heat source.** *The charger is ventilated through slots in the*

Volts	Minimum Gauge for Cord Sets			
	Total Length of Cord in Feet			
120V	0-25 (0-7.6m)	26-50 (7.6-15.2m)	51-100 (15.2-30.4m)	101-150 (30.4-45.7m)
American Wire Gauge				
Ampere Rating	More Than	Not more Than		
	Than	Than	Than	Than
0 - 6	18	16	16	14
6 - 10	18	16	14	12
10 - 12	16	16	14	12
12 - 16	14	12	Not Recommended	

top and the bottom of the housing.

- **Do not operate charger with damaged cord or plug — have them replaced immediately.**
- **Do not operate charger if it has received a sharp blow, been dropped, or otherwise damaged in any way.** *Take it to an authorized service center.*
- **Do not disassemble charger; take it to an authorized service center when service or repair is required.** *Incorrect reassembly may result in a risk of electric shock, electrocution or fire.*
- **Disconnect the charger from the outlet before attempting any cleaning.** *This will reduce the risk of electric shock. Removing the battery pack will not*

reduce this risk.

- **NEVER attempt to connect 2 chargers together.**
- **The charger is designed to operate on standard household electrical power (120 Volts). Do not attempt to use it on any other voltage.**

SAVE THESE INSTRUCTIONS

IMPORTANT SAFETY INSTRUCTIONS FOR BATTERY PACKS

⚠ WARNING: *For safe operation, read this manual and manuals originally supplied with tool before using the battery pack. The battery pack is not fully charged out of the carton. Before using the battery pack and charger, read the safety instructions below. Then follow charging procedures outlined.*

READ ALL INSTRUCTIONS

- **Do not incinerate the battery pack even if it is severely damaged or is completely worn out.** *The battery pack can explode in a fire. Toxic fumes and materials are created when Li-Ion battery packs are burned.*
- **Do not charge or use battery in explosive atmospheres, such as in the presence of flammable liquids, gases or dust.** *Inserting or removing the battery from the charger may ignite the dust or fumes.*
- **If battery contents come into contact with the skin, immediately wash area with mild soap and water.** *If battery liquid gets into the eye, rinse water over the open eye for 15 minutes or until irritation ceases. If medical attention is needed, the battery electrolyte for Li-Ion batteries is composed of a mixture of liquid organic carbonates and lithium salts.*
- **Contents of opened battery cells may cause respiratory irritation.** *Provide fresh air. If symptoms persists, seek medical attention.*

⚠ WARNING: *Burn hazard. Battery liquid may be flammable if exposed to spark or flame.*

- **Charge the battery packs only in PORTER-CABLE chargers.**
- **DO NOT splash or immerse in water or other liquids.** *This may cause premature cell failure.*
- **Do not store or use the tool and battery pack in locations where the temperature may be reach or exceed 105°F (40°C) (such as outside sheds or metal buildings in summer).**

⚠ WARNING: *Never attempt to open the battery pack for any reason. If battery pack case is cracked or damaged, do not insert into charger. Do not crush, drop or damage battery pack. Do not use a battery pack or charger that has received a sharp blow, been dropped, run over or damaged in any*

way (i.e., pierced with a nail, hit with a hammer, stepped on). Damaged battery packs should be returned to service center for recycling.

⚠ WARNING: Fire hazard. Do not store or carry battery so that metal objects can contact exposed battery terminals. For example, do not place battery in aprons, pockets, tool boxes, product kit boxes, drawers, etc., with loose nails, screws, keys, etc. **Transporting batteries can possibly cause fires if the battery terminals inadvertently come in contact with conductive materials such as keys, coins, hand tools and the like.** The US Department of Transportation Hazardous Material Regulations (HMR) actually prohibit transporting batteries in commerce or on airplanes (i.e., packed in suitcases and carry-on luggage) UNLESS they are properly protected from short circuits. So when transporting individual batteries, make sure that the battery terminals are protected and well insulated from materials that could contact them and cause a short circuit. **NOTE: Li-Ion batteries should not be put in checked baggage.**

NOTE: Do not store the battery packs in a tool with the trigger switch locked on. Never tape the trigger switch in the ON position.

NEVER force the battery pack into the charger. DO NOT modify the battery pack in any way to fit into a non-compatible charger as battery pack may rupture causing serious personal injury.

Storage Recommendations

1. The best storage place is one that is cool and dry away from direct sunlight and excess heat or cold.
2. Long-term storage will not harm the battery pack or the charger as long as the battery is not depleted.

FUNCTIONAL DESCRIPTION Figure A

1. Trigger Switch
2. Forward/Reverse Button
3. Torque Adjust Collar
4. Dual Range Gear Selector
5. Keyless Chuck
6. Battery
7. Battery Release Button
8. LED Work Light
9. Bit Tip Holder



This product uses the batteries and chargers listed below.

20V Max* Lithium-Ion Batteries: PCC680L, PCC681L, PCC682/PCC682L, PCC685L

20V Max* Lithium-Ion Chargers: PCC690L, PCC691L, PCC692/PCC692L, PCC695L, PCC699L

Charging Procedure

PORTER-CABLE chargers are designed to charge **PORTER-CABLE** battery packs. Charge times are: PCC690L in 40-80 mins., PCC699L/PCC691L in 70-140 mins., PCC692/PCC692L in 40-80 mins., and PCC695L in 180-360 mins. depending on the pack being charged.


1. Plug the charger into an appropriate outlet before inserting the battery pack.
2. Insert the battery pack into the charger.
3. The LED will flash indicating that the battery is being charged.
4. The completion of charge is indicated by the LED remaining on continuously. The pack is fully charged and may be used at this time or left on the charger.

Recharge discharged batteries as soon as possible after use or battery life may be greatly diminished. For longest battery life, do not discharge batteries fully. It is recommended that the batteries be recharged after each use.


Charger Diagnostics

This charger is designed to detect certain problems that can arise with the battery packs or the power source. Problems are indicated by one LED flashing in different patterns.


Bad Battery

 The charger can detect a weak or damaged battery. The LED flashes in the pattern indicated on the label. If you see this bad battery blink pattern, do not continue to charge the battery. Return it to a service center or a collection site for recycling.

Hot/Cold Pack Delay

 When the charger detects a battery that is excessively hot or excessively cold, it automatically starts a Hot/Cold Pack Delay, suspending charging until the battery has normalized. After this happens, the charger automatically switches to the Pack Charging mode. This feature ensures maximum battery life. The light flashes in the pattern indicated on the label.

Problem Power Line

 When the charger is used with some portable power sources such as generators or sources that convert DC to AC, the charger may temporarily suspend operation. The LED flashes in the pattern indicated on the label. This indicates that the power source is out of limits.

Leaving the Battery in the Charger

The charger and battery pack can be left connected with the LED glowing indefinitely. The charger will keep the battery pack fresh and fully charged. This charger features an automatic tune-

up mode which equals or balances the individual cells in the battery pack to allow it to function at peak capacity. Battery packs should be tuned up weekly or whenever the battery no longer delivers the same amount of work. To use the automatic tune-up mode, place the battery pack in the charger and leave it for at least 8 hours.

Important Charging Notes

1. Longest life and best performance can be obtained if the battery pack is charged when the air temperature is between 65°F and 75°F (18°- 24°C). DO NOT charge the battery pack in an air temperature below +40°F (+4.5°C), or above +105°F (+40.5°C). This is important and will prevent serious damage to the battery pack.
2. The charger and battery pack may become warm to touch while charging. This is a normal condition, and does not indicate a problem. To facilitate the cooling of the battery pack after use, avoid placing the charger or battery pack in a warm environment such as in a metal shed, or an uninsulated trailer.
3. If the battery pack does not charge properly:
 - a. Check current at receptacle by plugging in a lamp or other appliance
 - b. Check to see if receptacle is connected to a light switch which turns power off when you turn out the lights.
 - c. Move charger and battery pack to a location where the surrounding air temperature is approximately 65°F - 75°F (18° - 24°C).
 - d. If charging problems persist, take the tool, battery pack and charger to your local service center.
4. The battery pack should be recharged when it fails to produce sufficient power on jobs which were easily done previously. DO NOT CONTINUE to use under these conditions. Follow the charging procedure. You may also charge a partially used pack whenever you desire with no adverse affect on the battery pack.

SAFETY WARNINGS AND INSTRUCTIONS: DRILLS

⚠ WARNING: Before using tool, read all instructions and cautionary markings on tool.

⚠ WARNING: Drill may stall (if overloaded or improperly used) causing a twist. Always expect the stall. Grip the drill firmly with two hands to control the twisting action and prevent loss of control which could cause personal injury. If a stall does occur, release the trigger immediately and determine the reason for the stall before re-starting.

Intended Use

This drill driver is designed for drilling and screw driving applications.

DO NOT use under wet conditions or in the presence of flammable liquids or gases.

DO NOT let children come into contact with the tool. Supervision is required when inexperienced operators use this tool.

NEVER modify the power tool or any part of it. Damage or personal injury could result.

Operating Instructions

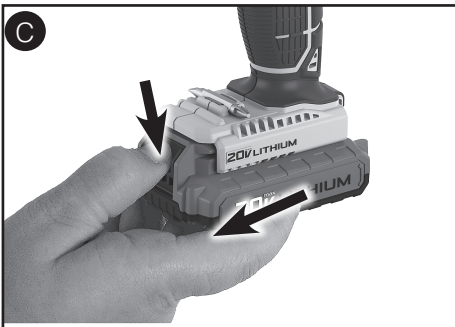
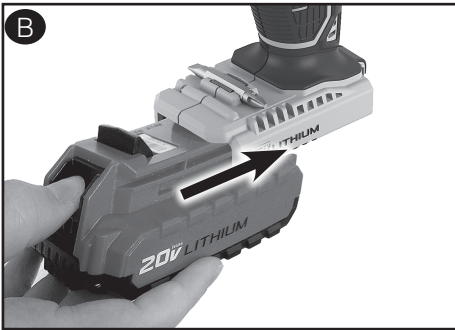
Installing and Removing the Battery Pack From the Tool

⚠ WARNING: To reduce the risk of serious personal injury, turn tool off and remove the battery pack before making any adjustments or removing/installing attachments or accessories. An accidental start-up can cause injury.

⚠ CAUTION: Make certain the lock-off button is engaged to prevent switch actuation before removing or installing battery.

TO INSTALL BATTERY PACK: Insert battery pack (6) firmly into tool until an audible click is heard as shown in **Figure B**. Ensure battery pack is fully seated and fully latched into position.

TO REMOVE BATTERY PACK: Depress the battery release button (7) as shown in **Figure C** and pull battery pack out of tool.



Variable Speed Trigger Switch

The tool is turned ON and OFF by squeezing and releasing the trigger switch (1). The farther the trigger is depressed, the higher the speed of the drill.

- To turn the tool on, squeeze the trigger switch (1).
- To turn the tool off, release the trigger switch. Your tool is equipped with a brake. The chuck will stop as soon as the trigger switch is fully released.

NOTE: Continuous use in variable speed range is not recommended. It may damage the switch and should be avoided.


Forward/Reverse Button

A forward/reverse control button (2) determines the rotational direction of the tool and also serves as a lock off button.

- To select forward rotation, release the trigger switch and depress the forward/reverse control button on the right side of the tool.
- To select reverse, depress the forward/reverse control button on the left side of the tool.
- The center position of the control button locks the tool in the off position. When changing the position of the control button, be sure the trigger is released.

Adjusting Torque Control

This tool is fitted with a torque adjustment collar (3) to select the operating mode and to set the torque for tightening screws. Large screws and hard workpiece materials require a higher torque setting than small screws and soft workpiece materials.

- For drilling in wood, metal and plastics, set the collar to the drilling position symbol .
- For screw driving, set the collar to the desired setting. If you do not yet know the appropriate setting, proceed as follows:
 - Set the collar to the lowest torque setting.
 - Tighten the first screw.
 - If the clutch ratchets before the desired result is achieved, increase the collar setting and continue tightening the screw. Repeat until you reach the correct setting. Use this setting for the remaining screws.

Dual Range Gearing

The dual range feature of your drill allows you to shift gears for greater versatility.

- To select low speed, high torque setting (position 1), turn tool off and permit to stop. Slide dual range gear selector (4) away from the chuck.

- To select the high speed, low torque setting (position 2), turn tool off and permit to stop. Slide gear shifter button back toward the chuck.

NOTE: Do not change gears when tool is running. If you are having trouble changing gears, make sure that the dual range gear button is either completely pushed forward or completely pushed back.

Keyless Chuck

⚠ WARNING: *Make certain the battery pack is removed to prevent tool actuation before installing or removing accessories.*

To insert a drill bit or other accessory:

1. Grasp the chuck (5) and rotate it in the counterclockwise direction, as viewed from the chuck end.
2. Insert the bit or other accessory fully into the chuck, and tighten securely by rotating the chuck in the clockwise direction as viewed from the chuck end.

⚠ WARNING: Do not attempt to tighten or loosen drill bits (or any other accessory) by gripping the front part of the chuck and turning the tool on. Damage to the chuck and personal injury may occur when changing accessories.

Drilling

⚠ WARNING: *Drill may stall if overloaded causing a sudden twist. Always expect the stall. Grip the drill firmly to control the twisting action and avoid injury.*

(Shift drill into DRILL mode)

- Use sharp drill bits only.
- Support and secure work properly, as instructed in the Safety Instructions.
- Use appropriate and required safety equipment, as instructed in the Safety Instructions.
- Secure and maintain work area, as instructed in the Safety Instructions.
- Run the drill very slowly, using light pressure, until the hole is started enough to keep the drill bit from slipping out of it.
- Apply pressure in a straight line with the bit. Use enough pressure to keep the bit biting but not so much as to stall the motor or deflect the bit.
- Hold the drill firmly with two hands, one hand on the handle, and the other gripping the bottom around the battery area or the auxiliary handle if provided.
- **DO NOT CLICK THE TRIGGER OF A STALLED DRILL OFF AND ON IN AN ATTEMPT TO START IT. DAMAGE TO THE DRILL CAN RESULT.**
- Minimize stalling on breakthrough by reducing pressure and slowly drilling through the last part of the hole.

- Keep the motor running while pulling the bit out of a drilled hole. This will help reduce jamming.
- **Make sure switch turns drill on and off.**

Drilling in Wood

Holes in wood can be made with the same twist drill bits used for metal or with spade bits. These bits should be sharp and should be pulled out frequently when drilling to clear chips from the flutes.

Drilling in Metal

Use a cutting lubricant when drilling metals. The exceptions are cast iron and brass which should be drilled dry. The cutting lubricants that work best are sulfurized cutting oil or lard oil.

Screw Driving

⚠ WARNING: *Always ensure the bit is secure before starting the tool. A loose bit may eject from tool causing possible personal injury.*

(Shift drill into SCREW mode)

- For driving fasteners, the forward/reverse button should be pushed to the left.
- Use reverse (button pushed to the right) for removing fasteners.

NOTE: When moving from forward to reverse, or vice versa, always release the trigger switch first.

LED Work Light

When drill is activated by squeezing the trigger switch (1), the integrated LED work light (8) will automatically illuminate the work area and will automatically turn off 20 seconds after the trigger switch is released. If the trigger switch remains depressed, the work light will remain on.

NOTE: The work light is for lighting the immediate work surface and is not intended to be used as a flashlight.

Accessories Storage

- A bit storage slot (9) is built into the base of the tool.

Troubleshooting

Problem

- Unit will not start.

- Battery pack will not charge.

- Unit shuts off abruptly.

Possible Cause

- Battery pack not installed properly.

- Battery pack not charged.

- Internal components too hot.
- Battery pack not inserted into charger.

- Charger not plugged in.

- Surrounding air temperature too hot or too cold.

- Battery pack has reached its maximum thermal limit.
- Out of charge. (**To maximize the life of the battery pack it is designed to shut off abruptly when the charge is depleted.**)

Possible Solution

- Check battery pack installation.
- Check battery pack charging requirements.
- Allow tool to cool down.
- Insert battery pack into charger until LED lights.
- Plug charger into a working outlet. Refer to “Important Charging Notes” for more details.
- Move charger and battery pack to a surrounding air temperature of above 40 degrees F (4,5°C) or below 105 degrees F (+40,5°C).
- Allow battery pack to cool down.
- Place on charger and allow to charge.

For assistance with your product, visit our website at www.portercable.com for a list of service centers, or call the PORTER-CABLE Customer Care Center at (888) 848-5175.

The RBRC® Seal

The RBRC® (Rechargeable Battery Recycling Corporation)

Seal on the nickel cadmium, nickel metal hydride or lithium-ion batteries (or battery packs) indicates that the costs to recycle these batteries (or battery packs) at the end of their useful life have already been paid by PORTER-CABLE. In some areas, it is illegal to place spent nickel cadmium, nickel metal hydride or lithium-ion batteries in the trash or municipal solid waste stream and the Call 2 Recycle® program provides an environmentally conscious alternative.

Call 2 Recycle, Inc., in cooperation with PORTER-CABLE and other battery users, has established the program in the United States and Canada to facilitate the collection of spent nickel cadmium, nickel metal hydride or lithium-ion batteries. Help protect our environment and conserve natural resources by returning the spent nickel cadmium, nickel metal hydride or lithium-ion batteries to an authorized PORTER-CABLE service center or to your local retailer for recycling. You may also



contact your local recycling center for information on where to drop off the spent battery. RBRC® is a registered trademark of Call 2 Recycle, Inc.

MAINTENANCE

⚠ WARNING: *To reduce the risk of serious personal injury, turn tool off and remove the battery pack before making any adjustments or removing/installing attachments or accessories. An accidental start-up can cause injury.*

CLEANING

⚠ WARNING: *Blow dirt and dust out of all air vents with clean, dry air at least once a week. To minimize the risk of eye injury, always wear ANSI Z87.1 approved eye protection when performing this.*

⚠ WARNING: *Never use solvents or other harsh chemicals for cleaning the non-metallic parts of the tool. These chemicals may weaken the plastic materials used in these parts. Use a cloth dampened only with water and mild soap. Never let any liquid get inside the tool; never immerse any part of the tool into a liquid.*

Use only mild soap and damp cloth to clean the tool. Never let any liquid get inside the tool; never immerse any part of the tool into a liquid.

CHARGER CLEANING INSTRUCTIONS

⚠ WARNING: *Shock hazard. Disconnect the charger from the AC outlet before cleaning.*

Dirt and grease may be removed from the exterior of the charger using a cloth or soft non-metallic brush. Do not use water or any cleaning solutions.

REPLACEMENT PARTS

Use only identical replacement parts. For a parts list or to order parts, visit our service website at www.portercable.com. You can also order parts from your nearest PORTER-CABLE Factory Service Center or PORTER-CABLE Authorized Warranty Service Center. Or, you can call our Customer Care Center at **(888) 848-5175**.

This Class B digital apparatus complies with Canadian ICES-003.

This device complies with part 15 of the FCC rules. Operation is subject to the following two conditions: (1) This device may not cause harmful interference, and (2) this device must accept any interference received, including interference that may cause undesired operation.

NOTE: This equipment has been tested and found to comply with the limits for a Class B digital device, pursuant to Part 15 of the FCC Rules. These limits are designed to provide reasonable protection against harmful interference in a residential installation. This equipment generates, uses and can radiate radio frequency energy and, if not installed and used in accordance with the instructions, may cause harmful interference to radio communications. However, there is no guarantee that interference will not occur in a particular installation.

If this equipment does cause harmful interference to radio or television reception, which can be determined by turning the equipment off and on, the user is encouraged to try to correct the interference by one or more of the following measures:

- Reorient or relocate the receiving antenna.
- Increase the separation between the equipment and receiver.
- Connect the equipment into an outlet on a circuit different from that to which the

receiver is connected.

- Consult the dealer or an experienced radio/TV technician for help.

Changes or modifications to this unit not expressly approved by the party responsible for compliance could void the user's authority to operate the equipment. This Class B digital apparatus complies with Canadian ICES-003.

SERVICE AND REPAIRS

All quality tools will eventually require servicing and/or replacement of parts. For information about PORTER-CABLE, its factory service centers or authorized warranty service centers, visit our website at www.portercable.com or call our Customer Care Center at (888) 848-5175. All repairs made by our service centers are fully guaranteed against defective material and workmanship. We cannot guarantee repairs made or attempted by others. You can also write to us for information at PORTER-CABLE, 4825 Highway 45 North, Jackson, Tennessee 38305, (888) 848-5175 - Attention: Product Service. Be sure to include all of the information shown on the nameplate of your tool (model number, type, serial number, etc.).

ACCESSORIES

⚠ WARNING: Since accessories, other than those offered by PORTER-CABLE, have not been tested with this product, use of such accessories with this tool could be hazardous. To reduce the risk of injury, only PORTER-CABLE recommended accessories should be used with this product.

A complete line of accessories is available from your PORTER-CABLE Factory Service Center or a PORTER-CABLE Authorized Warranty Service Center. Please visit our Web Site www.portercable.com for a catalog or for the name of your nearest supplier.

THREE YEAR LIMITED WARRANTY

PORTER-CABLE will repair or replace, without charge, any defects due to faulty materials or workmanship for three years from the date of purchase for tools (two years for batteries). This warranty does not cover part failure due to normal wear or tool abuse. For further detail of warranty coverage and warranty repair information, visit www.portercable.com or call (888) 848-5175. This warranty does not apply to accessories or damage caused where repairs have been made or attempted by others. This warranty gives you specific legal rights and you may have other rights which vary in certain states or provinces.

In addition to the warranty, PORTER-CABLE tools are covered by our:

1 YEAR FREE SERVICE: PORTER-CABLE will maintain the tool and replace worn parts caused by normal use, for free, any time during the first year after purchase.

90 DAY MONEY BACK GUARANTEE: If you are not completely satisfied with the performance of your PORTER-CABLE Power Tool for any reason, you can return it within 90 days from the date of purchase with a receipt for a full refund – no questions asked.

LATIN AMERICA: This warranty does not apply to products sold in Latin America. For products sold in Latin America, see country specific warranty information contained in the packaging, call the local company or see website for warranty information.

To register your tool for warranty service visit our website at www.portercable.com.

WARNING LABEL REPLACEMENT

If your warning labels become illegible or are missing, call (888) 848-5175 for a free replacement.

PORTER  CABLE

4825 Highway 45 North
Jackson, Tennessee 38305
(888) 848-5175
www.portercable.com

LIGNES DIRECTRICES EN MATIÈRE DE SÉCURITÉ - DÉFINITIONS

est important que vous lisiez et compreniez ce mode d'emploi. Les informations qu'il contient concernent VOTRE SÉCURITÉ et visent à ÉVITER TOUT PROBLÈME. Les symboles ci-dessous servent à vous aider à reconnaître cette information.

⚠ DANGER : Indique une situation dangereuse imminente qui, si elle n'est pas évitée, causera la mort ou des graves blessures.

⚠ AVERTISSEMENT : Indique une situation potentiellement dangereuse qui, si elle n'est pas évitée, pourrait causer la mort ou de graves blessures.

⚠ MISE EN GARDE : Indique une situation potentiellement dangereuse qui, si elle n'est pas évitée, pourrait causer des blessures mineures ou modérées.

AVIS : Utilisé sans le symbole d'alerte à la sécurité, indique une situation potentiellement dangereuse qui, si elle n'est pas évitée, peut résulter en des dommages à la propriété.

Avertissements de sécurité généraux pour les outils électriques

⚠ AVERTISSEMENT: Lire tous les avertissements de sécurité et toutes les directives. Le non-respect des avertissements et des directives pourrait se solder par un choc électrique, un incendie et/ou une blessure grave.

Conservé tous les avertissements et toutes les directives pour un usage ultérieur.

Le terme «outil électrique» cité dans les avertissements se rapporte à votre outil électrique à alimentation sur secteur (avec fil) ou par piles (sans fil).

1) Sécurité du lieu de travail

- a) **Tenir la zone de travail propre et bien éclairée.** *Les endroits sombres sont souvent des causes d'accidents.*
- b) **Ne pas faire fonctionner d'outils électriques dans un milieu déflagrant, soit en présence de liquides inflammables, de gaz ou de poussière.** *Les outils électriques produisent des étincelles qui peuvent enflammer la poussière ou les vapeurs.*
- c) **Éloigner les enfants et les curieux au moment d'utiliser un outil électrique.** *Une distraction pourrait vous en faire perdre la maîtrise.*

2) Sécurité en matière d'électricité

- a) **Les fiches des outils électriques doivent correspondre à la prise. Ne jamais modifier la fiche en aucune façon.** *Ne jamais utiliser de fiche d'adaptation avec un outil électrique mis à la terre. Le risque de choc électrique sera réduit par l'utilisation de fiches non modifiées correspondant à la prise.*

- b) **Éviter tout contact physique avec des surfaces mises à la terre comme des tuyaux, des radiateurs, des cuisinières et des réfrigérateurs.** *Le risque de choc électrique est plus élevé si votre corps est mis à la terre.*
- c) **Ne pas exposer les outils électriques à la pluie ou à d'autres conditions où il pourrait être mouillé.** *La pénétration de l'eau dans un outil électrique augmente le risque de choc électrique.*
- d) **Ne pas utiliser abusivement le cordon d'alimentation. Ne jamais utiliser le cordon pour transporter, tirer ou débrancher un outil électrique. Tenir le cordon éloigné de la chaleur, de l'huile, des bords tranchants ou des pièces mobiles.** *Les cordons endommagés ou emmêlés augmentent les risques de choc électrique.*
- e) **Pour l'utilisation d'un outil électrique à l'extérieur, se servir d'une rallonge convenant à une telle utilisation.** *L'utilisation d'une rallonge conçue pour l'extérieur réduit les risques de choc électrique.*
- f) **S'il est impossible d'éviter l'utilisation d'un outil électrique dans un endroit humide, brancher l'outil dans une prise ou sur un circuit d'alimentation dotés d'un disjoncteur de fuite à la terre (GFCI).** *L'utilisation de ce type de disjoncteur réduit les risques de choc électrique.*

3) Sécurité personnelle

- a) **Être vigilant, surveiller le travail effectué et faire preuve de jugement lorsqu'un outil électrique est utilisé. Ne pas utiliser d'outil électrique en cas de fatigue ou sous l'influence de drogues, d'alcool ou de**

médicaments. *Un simple moment d'inattention en utilisant un outil électrique peut entraîner des blessures corporelles graves.*

b) Utiliser des équipements de protection individuelle. Toujours porter une protection oculaire.

L'utilisation d'équipements de protection comme un masque antipoussière, des chaussures antidérapantes, un casque de sécurité ou des protecteurs auditifs lorsque la situation le requiert réduira les risques de blessures corporelles.

c) Empêcher les démarrages intempestifs. S'assurer que l'interrupteur se trouve à la position d'arrêt avant de relier l'outil à une source d'alimentation et/ou d'insérer un bloc-piles, de ramasser ou de transporter l'outil.

Transporter un outil électrique alors que le doigt repose sur l'interrupteur ou brancher un outil électrique dont l'interrupteur est à la position de marche risque de provoquer un accident.

d) Retirer toute clé de réglage ou clé standard avant de démarrer l'outil.

Une clé standard ou une clé de réglage attachée à une partie pivotante peut causer des blessures.

e) Ne pas trop tendre les bras. Conserver son équilibre en tout temps.

Cela permet de mieux maîtriser l'outil électrique dans les situations imprévues.

f) S'habiller de manière appropriée.

Ne pas porter de vêtements amples ni de bijoux. Garder les cheveux, les vêtements et les gants à l'écart des pièces mobiles.
Les vêtements amples, les bijoux ou les cheveux longs risquent de rester coincés dans les pièces mobiles.

g) Si des composants sont fournis pour le raccordement de dispositifs de dépoussiérage et de ramassage, s'assurer que ceux-ci sont bien raccordés et utilisés.

L'utilisation d'un dispositif de dépoussiérage peut réduire les dangers engendrés par les poussières.

4) Utilisation et entretien d'un outil électrique

a) Ne pas forcer un outil électrique.

Utiliser l'outil électrique approprié à l'application. *L'outil électrique approprié effectuera un meilleur travail, de façon plus sûre et à la vitesse pour laquelle il a été conçu.*

b) Ne pas utiliser un outil électrique dont l'interrupteur est défectueux.

Tout outil électrique dont

l'interrupteur est défectueux est dangereux et doit être réparé.

c) Débrancher la fiche du secteur ou le bloc-piles de l'outil électrique avant de faire tout réglage ou changement d'accessoire, ou avant de ranger l'outil électrique.

Ces mesures préventives réduisent les risques de démarrage accidentel de l'outil électrique.

d) Ranger les outils électriques hors de la portée des enfants, et ne permettre à aucune personne n'étant pas familière avec un outil électrique (ou son manuel d'instruction) d'utiliser ce dernier.

Les outils électriques deviennent dangereux entre les mains d'utilisateurs inexpérimentés.

e) Entretien des outils électriques.

Vérifier les pièces mobiles pour s'assurer qu'elles sont bien alignées et tournent librement, qu'elles sont en bon état et ne sont affectées par aucun trouble susceptible de nuire au bon fonctionnement de l'outil électrique. En cas de dommage, faire réparer l'outil électrique avant toute nouvelle utilisation. *Beaucoup d'accidents sont causés par des outils électriques mal entretenus.*

f) S'assurer que les outils de coupe sont aiguisés et propres.

Les outils de coupe bien entretenus et affûtés sont moins susceptibles de se coincer et sont plus faciles à contrôler.

g) Utiliser l'outil électrique, les accessoires, les forets, etc. conformément aux présentes directives en tenant compte des conditions de travail et du travail à effectuer.

L'utilisation d'un outil électrique pour toute opération autre que celle pour laquelle il a été conçu est dangereuse.

5) Utilisation et entretien du bloc-piles

a) Ne recharger l'outil qu'au moyen du chargeur précis par le fabricant.

L'utilisation d'un chargeur qui convient à un type de bloc-piles risque de provoquer un incendie s'il est utilisé avec un autre type de bloc-piles.

b) Utiliser les outils électriques uniquement avec les blocs-piles conçus à cet effet.

L'utilisation de tout autre bloc-piles risque de causer des blessures ou un incendie.

c) Lorsque le bloc-piles n'est pas utilisé, le tenir éloigné des objets métalliques, notamment des trombones, de la monnaie, des

clés, des clous, des vis, etc., qui peuvent établir une connexion entre les deux bornes. *Le court-circuit des bornes du bloc-piles risque de provoquer des étincelles, des brûlures ou un incendie.*

- d) **En cas d'utilisation abusive, le liquide peut gicler hors du bloc-piles, éviter tout contact. Si un contact accidentel se produit, laver à grande eau. Si le liquide entre en contact avec les yeux, obtenir des soins médicaux.** *Le liquide qui giclé hors du bloc-piles peut provoquer des irritations ou des brûlures.*

6) Réparation

- a) **Faire réparer l'outil électrique par un réparateur professionnel en n'utilisant que des pièces de rechange identiques.** *Cela permettra de maintenir une utilisation sécuritaire de l'outil électrique.*

Avertissements de sécurité de la perceuse

- **Utiliser la ou les poignées auxiliaires fournies avec l'outil, s'il en est.** *Une perte de maîtrise de l'outil peut entraîner des blessures.*
- **Tenir l'outil électrique par sa surface de prise isolée dans une situation où l'accessoire de coupe pourrait entrer en contact avec un câble électrique dissimulé.** *Tout contact entre un fil « sous tension » et l'accessoire de coupe pourrait également mettre « sous tension » les pièces métalliques exposées de l'outil et donner un choc électrique à l'utilisateur.*
- **Lorsqu'on est installé sur une échelle ou un échafaudage pour travailler, on doit déposer l'outil sur le côté lorsqu'on ne s'en sert plus.** *Bien que certains outils munis d'un gros bloc-piles puissent être placés à la verticale, dans cette position, ils peuvent facilement être renversés.*
- **Utiliser des brides de fixation ou un autre dispositif de fixation permettant de fixer solidement et de soutenir la pièce sur une plateforme stable.** *Tenir la pièce avec la main ou contre son corps la rend instable et risque de provoquer une perte de maîtrise de l'outil.*
- **Tenir les cheveux, les vêtements et les gants loin des événements.** *En effet, les événements cachent souvent des pièces mobiles qui risquent de happer ces articles.*
- **Tenir fermement l'outil à deux mains.** *Utiliser la poignée auxiliaire si l'outil en est muni. Sinon, saisir l'outil par le bas du bloc-piles. Une perte de maîtrise de l'outil peut entraîner des blessures.*

⚠ AVERTISSEMENT : certains outils électriques, tels que les sableuses, les scies, les meules, les perceuses ou certains autres outils de construction, peuvent produire de la poussière contenant des produits chimiques reconnus par l'État de la Californie comme étant susceptibles d'entraîner le cancer, des malformations congénitales ou pouvant être nocifs pour le système reproductif. Parmi ces produits chimiques, on retrouve :

- le plomb dans les peintures à base de plomb,
- la silice cristalline dans les briques et le ciment et autres produits de maçonnerie,
- l'arsenic et le chrome dans le bois de sciage ayant subi un traitement chimique.

Le risque associé à de telles expositions varie selon la fréquence avec laquelle on effectue ces travaux. Pour réduire l'exposition à de tels produits, il faut travailler dans un endroit bien aéré et utiliser le matériel de sécurité approprié, tel un masque anti-poussières spécialement conçu pour filtrer les particules microscopiques.

- **Éviter tout contact prolongé avec la poussière soulevée par cet outil ou autres outils électriques. Porter des vêtements de protection et nettoyer les parties exposées du corps avec de l'eau savonneuse.** *S'assurer de bien se protéger afin d'éviter d'absorber par la bouche, les yeux ou la peau des produits chimiques nocifs.*

⚠ AVERTISSEMENT : Cet outil peut produire et répandre de la poussière susceptible de causer des dommages sérieux et permanents au système respiratoire. *Toujours utiliser un appareil respiratoire anti-poussières approuvé par le NIOSH ou l'OSHA. Diriger les particules dans le sens opposé du visage et du corps.*

⚠ AVERTISSEMENT : TOUJOURS porter des lunettes de sécurité. Les lunettes de vue ne constituent PAS des lunettes de sécurité. Utiliser également un masque facial ou anti-poussière si l'opération de découpe génère de la poussière. TOUJOURS PORTER UN ÉQUIPEMENT DE PROTECTION HOMOLOGUÉ :

- protection oculaire conforme à la norme ANSI Z87.1 (CAN/CSA Z94.3);
- protection auditive ANSI S12.6 (S3.19);
- protection des voies respiratoires conformes aux normes NIOSH/OSHA/MSHA.

SYMBOLES

- L'étiquette apposée sur votre outil pourrait comprendre les symboles suivants. Les symboles et leurs définitions sont indiqués ci-après :

V volts
A ampères
Hz hertz
W watts
min minutes
~ ou AC courant alternatif
— ou DC courant continu
n_0 sous vide
⚠ Construction de classe I
⊕ borne de mise à la minute (mis à la terre)
⊞ Construction de classe II
⚠ symbole d'avertissement
.../min tours à la minute
📖 Lire le mode d'emploi avant l'utilisation

- 👤 Utiliser une protection respiratoire adéquate.
- 👁 Utiliser une protection oculaire adéquate.
- 👂 Utiliser une protection auditive adéquate.

- En cas d'utilisation d'une rallonge, s'assurer que les valeurs nominales de la rallonge utilisée correspondent bien à celles de l'outil alimenté. L'usage d'une rallonge de calibre insuffisant causera une chute de tension entraînant perte de puissance et surchauffe. Le tableau ci-dessous illustre les calibres à utiliser selon la longueur de rallonge et l'intensité nominale indiquée sur la plaque signalétique. En cas de doutes, utiliser le calibre suivant. Plus le calibre est petit, plus la rallonge peut supporter de courant.

Calibre de fil minimum recommandé pour les rallonges

Longueur totale de la rallonge

25 pi	50 pi	75 pi	100 pi	125 pi	150 pi	175 pi
7,6 m	15,2 m	22,9 m	30,5 m	38,1 m	45,7 m	53,3 m

Calibre AWG

18	18	16	16	14	14	12
----	----	----	----	----	----	----

Directives de sécurité importantes pour les chargeurs de piles

CONSERVER CES DIRECTIVES : ce mode d'emploi comprend d'importantes directives de sécurité pour les chargeurs de piles.

⚠ AVERTISSEMENT : Avant d'utiliser le chargeur, lire toutes les directives et tous les avertissements figurant sur le chargeur, le bloc-piles et le produit utilisé avec le bloc-piles.

- **Risque de choc électrique.** Éviter la pénétration de tout liquide dans le chargeur.
- **Risque de brûlure.** Pour réduire le risque de blessures, charger uniquement des piles **PORTER-CABLE** conseillées. D'autres types de piles peuvent exploser et provoquer des blessures corporelles et des dommages.
- Dans certaines circonstances, lorsque le chargeur est branché au bloc d'alimentation, le chargeur peut être court-circuité par des corps étrangers conducteurs tels que, mais sans s'y limiter, la laine d'acier, le papier d'aluminium ou toute accumulation de particules métalliques. Ils doivent être maintenus à distance des ouvertures du

chargeur. Débrancher systématiquement celui-ci si aucun bloc-piles n'y est inséré. Débrancher le chargeur avant tout nettoyage.

- **NE PAS tenter de charger le bloc-piles avec autre chose qu'un chargeur de marque.** Les chargeurs et blocs-piles sont conçus spécialement pour fonctionner ensemble.
- **Ces chargeurs ne sont pas destinés à être utilisés à d'autres fins que celles de charger les piles rechargeables conseillées PORTER-CABLE.** Toute autre utilisation risque de provoquer un incendie, un choc électrique ou une électrocution.
- **Protéger le chargeur de la pluie et de la neige.**
- **Tirer la fiche plutôt que le cordon pour débrancher le chargeur ou pour débrancher les cordons à l'aide de la fonction de guirlande.** Cela permet de réduire le risque d'endommager la fiche ou le cordon d'alimentation.
- **S'assurer que le cordon est situé en lieu sûr de manière à ce que personne ne marche ni ne trébuche dessus ou à ce qu'il ne soit pas endommagé ni soumis à une tension.**
- **Ne pas utiliser de rallonge à moins que cela ne soit absolument nécessaire.** L'utilisation d'une rallonge

inadéquate risque d'entraîner un incendie, un choc électrique ou une électrocution.

- **Pour la sécurité de l'utilisateur, utiliser une rallonge de calibre adéquat (AWG, American Wire Gauge [calibrage américain normalisé des fils]).** Plus le numéro de calibre de fil est petit et plus sa capacité est grande, par exemple un calibre 16 a plus de capacité qu'un calibre 18. Si plus d'une rallonge est utilisée pour obtenir la longueur totale, s'assurer que chaque rallonge présente au moins le calibre de fil minimum.
- **Ne pas mettre d'objet sur le chargeur ni mettre ce dernier sur une surface souple, ce qui pourrait causer l'obstruction des fentes de ventilation et, du fait, provoquer une chaleur interne excessive. Éloigner le chargeur de toute source de chaleur.** La ventilation du chargeur se fait par les fentes pratiquées dans les parties supérieures et inférieures du boîtier.
- **Ne pas installer le chargeur sur un mur ni le fixer de manière permanente sur toute surface.** Le chargeur est destiné à une utilisation sur une surface plane et stable (c.-à-d. un dessus de table ou d'établi).
- **Ne pas faire fonctionner le chargeur si la fiche ou le cordon est endommagé; les remplacer immédiatement.**
- **Ne jamais se servir d'un chargeur qui a subi un choc violent, qui est tombé par terre ou qui est endommagé de quelque manière que ce soit.** Le faire vérifier dans un centre de réparation autorisé.
- **Ne pas démonter le chargeur; confier l'entretien ou la réparation de l'appareil à un centre de réparation autorisé.** Le remontage non conforme du chargeur comporte des risques de choc électrique, d'électrocution ou d'incendie.
- **Débrancher le chargeur avant de le nettoyer.** Cela réduira le risque de choc électrique. Le risque ne sera pas éliminé en enlevant simplement le bloc-piles.
- **NE JAMAIS relier deux chargeurs ensemble.**
- **Le chargeur est conçu pour être alimenté en courant domestique standard (120 V). Ne pas utiliser une tension supérieure pour le chargeur.**

CONSERVER CES DIRECTIVES

Directives de sécurité importantes pour les blocs-piles

⚠ **AVERTISSEMENT :** pour un fonctionnement sûr, lire le présent mode d'emploi et les manuels fournis avec l'outil avant d'utiliser les blocs-piles.

Le bloc-piles n'est pas complètement chargé à la sortie de l'emballage. Avant d'utiliser le bloc-piles et le chargeur, lire les directives de sécurité ci-après. Respecter ensuite les consignes de chargement décrites.

LIRE TOUTES LES DIRECTIVES.

- **Ne pas incinérer le bloc-piles, même s'il est très endommagé ou complètement usé, car il peut exploser au contact de flammes.** Des vapeurs et des matières toxiques sont dégagées lorsque les blocs-piles au Li-Ion sont incinérés.
- **Ne pas charger ou utiliser un bloc-piles dans un milieu déflagrant, en présence de liquides, de gaz ou de poussière inflammables.** Insérer ou retirer un bloc-piles du chargeur peut enflammer de la poussière ou des émanations.
- **Si le contenu de la pile entre en contact avec la peau, laver immédiatement la zone touchée au savon doux et à l'eau.** Si le liquide de la pile entre en contact avec les yeux, rincer l'oeil ouvert à l'eau pendant 15 minutes ou jusqu'à ce que l'irritation cesse. Si des soins médicaux sont nécessaires, l'électrolyte des piles au Li-Ion est composé d'un mélange de carbonates organiques liquides et de sels de lithium. Quant aux piles au Ni-CD, il est question d'une solution de 25 % à 35 % d'hydroxyde de potassium.
- **Le contenu des cellules de pile ouvertes peut provoquer une irritation respiratoire.** Exposer la personne à de l'air frais. Si les symptômes persistent, obtenir des soins médicaux.

⚠ **AVERTISSEMENT :** risque de brûlure. Le liquide du bloc-piles peut s'enflammer s'il est exposé à des étincelles ou à une flamme.

- **Charger les blocs-piles uniquement au moyen de chargeurs **PORTER-CABLE**.**
- **NE PAS éclabousser le bloc-piles ou l'immerger dans l'eau ou tout autre liquide.** Cela peut entraîner une défaillance prématurée de l'élément.
- **Ne pas ranger ni utiliser l'outil et le bloc-piles dans un endroit où la température inférieure à -4 ° f (-20 ° C) ou peut atteindre ou dépasser les 40 ° C (105 ° F) (comme dans les remises extérieures ou les bâtiments métalliques en été).**

⚠ **AVERTISSEMENT :** ne jamais ouvrir le bloc-piles pour quelque raison que ce soit. Si le boîtier du bloc-piles est fissuré ou endommagé, ne pas l'insérer dans un chargeur. Ne pas écraser, faire tomber ou endommager le bloc-piles. Ne pas utiliser un bloc-piles ou un chargeur

qui a reçu un choc violent, qui est tombé, a été écrasé ou est endommagé de quelque manière que ce soit (p. ex. percé par un clou, frappé d'un coup de marteau, piétiné). Les blocs-piles endommagés doivent être envoyés au centre de réparation pour être recyclés.

⚠ AVERTISSEMENT : risque d'incendie. Ne pas ranger ou transporter les piles de manière à ce que des objets métalliques puissent entrer en contact avec les bornes exposées des piles. Par exemple, ne pas mettre un bloc-piles dans un tablier, une poche, une boîte à outils, une boîte de nécessaire de produit ou un tiroir contenant des objets tels que des clous, des vis ou des clés, car tout contact accidentel entre les bornes à découvert et un objet métallique conducteur comme une clé, une pièce de monnaie, un outil à main, etc. risque de provoquer un incendie. La Hazardous Material Regulations (réglementation sur les produits dangereux) du département américain des transports interdit en fait le transport des blocs-piles pour le commerce et dans les avions (c.-à-d. dans des valises et les bagages à main) À MOINS qu'ils ne soient bien protégés contre les courts-circuits. Pour le transport de piles individuelles, on doit donc s'assurer que les bornes sont protégées et bien isolées contre toute matière pouvant entrer en contact avec elles et provoquer un court-circuit.

REMARQUE : ne pas insérer de bloc-piles dans un outil dont la gâchette et verrouillée en position de marche. Ne jamais bloquer l'interrupteur en position de MARCHÉ.

NE JAMAIS forcer un bloc-piles dans le chargeur. NE modifier un bloc-piles en aucune façon pour le faire rentrer dans un chargeur incompatible, car il pourrait se briser et causer des dommages corporels graves.

REMARQUE : il ne faut pas laisser de piles au Li-Ion dans les bagages enregistrés.

Recommandations en matière de rangement

1. Le meilleur endroit de rangement est celui qui est frais et sec, loin de toute lumière directe du soleil et protégé d'une température extrême (chaleur ou froid).
2. Un entreposage prolongé ne nuira pas au bloc-piles ou au chargeur. Dans les conditions adéquates, on peut entreposer les piles au Li-Ion pour une période de cinq ans ou plus.

Procédure de charge

Les chargeurs PORTER-CABLE sont conçus pour charger les blocs-piles PORTER-CABLE. Les durées de charge : 40-80 min avec le PCC690L, 70-140 min avec le PCC691L, PCC699L, 40-80 min avec le PCC692/PCC692L et 180-360 min avec le PCC695L, selon le bloc-piles chargé.

1. Brancher le chargeur dans une prise appropriée avant d'insérer le bloc-piles.
2. Insérer le bloc-piles dans le chargeur.
3. Le voyant DEL clignotera  indiquant que la pile est en cours de recharge.


4. La fin de la recharge est indiquée par le voyant qui demeurera allumé. Le bloc-piles est chargé à plein et peut être utilisé ou laissé sur le chargeur.

Recharger les piles épuisées aussitôt que possible après leur utilisation pour prolonger leur durée de vie. Pour préserver le plus possible la durée de vie du bloc-piles, ne pas le décharger tout à fait. Il est recommandé de recharger le bloc-piles après chaque utilisation.


Fonctions de diagnostic du chargeur

Le chargeur est conçu pour détecter certains problèmes du bloc-piles ou de la source d'alimentation. Le type de clignotement du voyant de charge indique les problèmes.

Pile en mauvais état

 Le chargeur est en mesure de détecter une pile faible ou endommagée. Le voyant DEL clignote selon la séquence code inscrite sur l'étiquette. Si la séquence code correspondant à une pile en mauvais état est en clignotement, cesser de recharger la pile. Il faut la retourner à un centre de réparation ou à un site de collecte pour le recyclage.

Fonction de suspension du bloc-piles chaud/froid

 Lorsque le chargeur détecte un bloc-piles trop chaud ou trop froid, il suspend automatiquement la recharge jusqu'au retour à la normale de la température de celui-ci. Une fois la température du bloc-piles revenue à la normale, le chargeur passe automatiquement au mode de recharge du bloc-piles. Cette fonction assure une durée de vie maximale des blocs-piles. Le voyant DEL clignote selon la séquence code inscrite sur l'étiquette.

Problème avec le secteur



Lorsque le chargeur est utilisé avec des blocs d'alimentation portatifs comme des génératrices ou des alternateurs, le chargeur peut suspendre temporairement son fonctionnement. Le voyant DEL clignote selon la séquence code inscrite sur l'étiquette. Cela indique que l'alimentation est hors tolérance.

Bloc-piles laissé dans le chargeur

Le chargeur et le bloc-piles peuvent être laissés branchés, le voyant demeurant indéfiniment allumé. Le chargeur maintiendra le bloc-piles en bon état et complètement chargé. Le chargeur comporte un mode automatique de mise au point qui égalise ou équilibre chaque cellule du bloc-piles pour lui permettre de fonctionner à plein rendement. Les blocs-piles doivent être égalisés chaque semaine ou chaque fois que la durée de fonctionnement du bloc-piles diminue. Pour utiliser le mode automatique de mise au point, mettre le bloc-piles dans le chargeur et l'y laisser pendant au moins 8 heures.

Remarques importantes pour le chargement

1. Pour augmenter la durée de vie du bloc-piles et optimiser son rendement, le charger à une température entre 18 et 24 °C (65 et 75 °F). NE PAS charger le bloc-piles à des températures inférieures à 4,5 °C (40 °F) ou supérieures à 40,5 °C (105 °F). Ces consignes sont importantes et permettent d'éviter d'endommager gravement le bloc-piles.
2. Le chargeur et le bloc-piles peuvent devenir chauds au toucher pendant la charge. Il s'agit d'un état normal et cela n'indique pas un problème. Pour faciliter le refroidissement du bloc-piles après son utilisation, éviter de mettre le chargeur ou le bloc piles dans un endroit chaud comme dans une remise métallique ou une remorque non isolée.
3. Si le bloc-piles ne se charge pas adéquatement, on doit :
 - a. vérifier le courant à la prise en branchant une lampe ou un autre appareil électrique;
 - b. vérifier si la prise est reliée à un interrupteur mural qui la met hors tension lorsque la lumière sont éteinte;
 - c. déplacer le chargeur et le bloc-piles dans un endroit où la température ambiante est entre 18 et 24 °C (65 et 75 °F);
 - d. si le problème persiste, apporter

ou envoyer l'outil, le bloc-piles et le chargeur au centre de réparation de votre région.

4. Le bloc-piles doit être rechargé lorsqu'il n'arrive pas à produire suffisamment de puissance pour des travaux qui étaient facilement réalisés auparavant. NE PAS CONTINUER à utiliser le bloc-piles dans ces conditions. Suivre les procédures de charge. On peut également recharger à tout moment un bloc-piles partiellement déchargé sans nuire à son fonctionnement.

Avertissements de sécurité et directives : perceuses

⚠ AVERTISSEMENT : Avant d'utiliser l'outil, lire toutes les instructions et les mises en garde sur l'outil.

⚠ AVERTISSEMENT : la perceuse pourrait se bloquer (à cause d'une surcharge ou d'une mauvaise utilisation), produisant ainsi une torsion brusque. Toujours s'attendre à un blocage. Saisir fermement la perceuse avec les deux mains afin de maîtriser le mouvement de torsion et d'éviter d'en perdre la maîtrise ce qui pourrait entraîner des blessures corporelles. En cas de blocage, relâcher la détente immédiatement et déterminer la raison du blocage avant de redémarrer.

FUNCTIONAL DESCRIPTION

Figure A

1. Gâchette
2. Bouton de marche avant/arrière
3. Torque Adjust Collar
4. Sélecteur d'engrenage à deux vitesses
5. Mandrin Automatique
6. Bloc-piles
7. Bouton de libération du bloc-piles
8. Lampe de travail DEL
9. Porte-embouts



Ce produit est compatible avec tous les modèles de piles et de chargeurs énumérés dans le tableau ci-dessous.

Bloc-piles : Li-Ion 20V Max* : PCC680L, PCC681L, PCC682/PCC682L, PCC685L

Chargeur : pour piles au Li-Ion 20V Max* : PCC690L, PCC691L, PCC692/PCC692L, PCC695L, PCC699L

Usage prévu

Cette perceuse visseuse a été conçue pour le vissage et le perçage.

NE PAS l'utiliser en milieu ambiant humide ou en présence de liquides ou de gaz inflammables.

NE PAS le laisser à la portée des enfants.

Une supervision est nécessaire auprès de tout utilisateur non expérimenté.

Ne jamais modifier l'outil électrique ni aucun de ses composants, car il y a risques de dommages corporels ou matériels.

Mode d'emploi

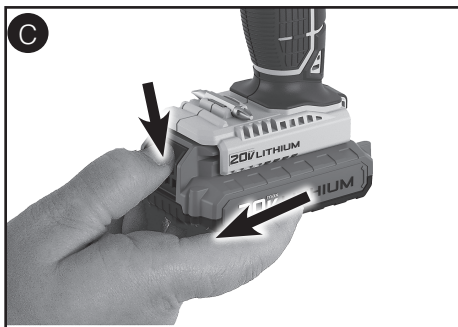
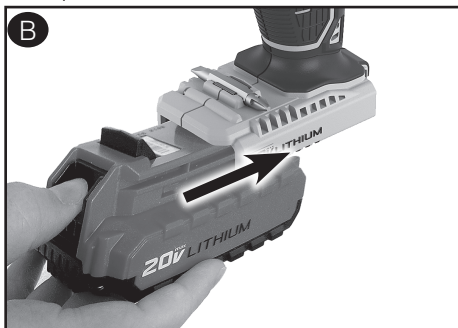
Installation et retrait du bloc-piles de l'outil

⚠ AVERTISSEMENT : pour réduire tout risque de dommages corporels graves, arrêter l'outil et retirer le bloc-piles avant tout réglage ou avant de retirer ou installer toute pièce ou tout accessoire. Tout démarrage accidentel comporte des risques de dommages corporels.

⚠ MISE EN GARDE : S'assurer que le bouton de verrouillage est bien engagé pour empêcher l'utilisation de l'interrupteur lors de la pose et du retrait du bloc-piles.

INSERTION DU BLOC-PILES : insérer le bloc-piles (7) dans l'outil, comme montré à la **figure B**.

RETRAIT DU BLOC-PILES : Enfoncer le bouton de dégagement du bloc-piles (8), comme montré à la **figure C**, puis retirer le bloc-piles de l'outil.



Gâchette à vitesse variable

Pour mettre l'outil en marche ou l'arrêter, appuyez ou relâchez la gâchette (1). Plus on appuie sur la gâchette, plus la vitesse de la perceuse est élevée.

- Pour mettre l'outil en marche, appuyez sur la gâchette (1).
- Pour arrêter l'outil, relâchez la gâchette. Votre outil est équipé d'un frein. Le mandrin s'arrêtera de tourner dès que la gâchette sera complètement relâchée.

REMARQUE : l'utilisation continue dans la plage à vitesse variable n'est pas recommandée. Cela pourrait endommager l'interrupteur et devrait être évité.


Bouton de marche avant/arrière

Le bouton de marche avant/arrière (2) détermine le sens de rotation de l'outil et sert aussi de bouton de verrouillage.

- Pour choisir la marche avant, relâchez la gâchette puis appuyez sur le bouton de marche avant/arrière sur le côté droit de l'outil.
- Pour choisir la marche arrière, appuyez sur le bouton de marche avant/arrière sur le côté gauche de l'outil.
- La position centrale du bouton de commande verrouille l'outil en position d'arrêt. Avant de changer la position du bouton de commande, assurez-vous que la gâchette est bien relâchée.

Commande de réglage du couple

L'outil est muni d'une bague (3) de réglage du couple qui permet de sélectionner le mode de travail et de régler le couple de serrage pour le serrage des vis. Les grosses vis et les pièces en matière dure exigent un couple de serrage plus élevé que les petites vis et les pièces de matières plus souples.

- Pour le perçage du bois, du métal et des plastiques, aligner la bague sur le symbole de la perceuse .
- Pour le vissage, aligner la bague sur la configuration voulue. Si la configuration n'est pas connue, procéder comme suit :
- Régler la bague sur le couple le plus faible.
- Serrer la première vis.
- Si l'embrayage émet des « cliquetis » avant l'obtention du résultat voulu, augmenter le réglage de la bague et poursuivre le vissage. Répéter la procédure jusqu'à l'obtention du bon réglage. Utiliser la configuration obtenue pour les autres vis.

Engrenage à deux vitesses

La caractéristique de vitesse double de la perceuse permet de changer d'engrenage de vitesse, pour une polyvalence accrue.

- Pour sélectionner la basse vitesse, réglage de couple élevé (position 1), éteindre l'outil et le laisser s'arrêter.

Coulisser le bouton de changement de rapport (4) loin du mandrin.

- Pour sélectionner la vitesse élevée, réglage de couple faible (position 2), éteindre l'outil et le laisser s'arrêter. Coulisser le bouton de changement de rapport en direction du mandrin.

REMARQUE : ne pas changer de rapport lorsque l'outil fonctionne. En cas de difficulté à changer de rapport, s'assurer que le bouton soit complètement avancé ou reculé.

Mandrin auto-serrant

⚠ AVERTISSEMENT : *S'assurer que le bouton de verrouillage est bien engagé pour empêcher l'activation de la détente avant de procéder à la pose ou à la dépose d'accessoires.*

Pour insérer une mèche ou autre accessoire :

1. Saisir le mandrin (5), puis le tourner dans le sens antihoraire si on se place à l'extrémité du mandrin.
2. Insérer complètement la mèche ou tout autre accessoire dans le mandrin, puis bien serrer ce dernier en le tournant dans le sens horaire, si on se place à son extrémité.

⚠ AVERTISSEMENT : N'essayez pas de resserrer les mèches (ou tout autre accessoire) en saisissant la partie supérieure du mandrin et en mettant l'outil en marche. Lors du changement d'accessoire, il y a risque d'endommager le mandrin et d'entraîner des blessures corporelles.

Mode perçage

⚠ AVERTISSEMENT : **la perceuse peut caler en cas de surcharge et causer une torsion soudaine.** *S'attendre systématiquement à un blocage. Maintenir fermement la perceuse pour contrôler toute torsion et éviter tout risque de dommages corporels.*

(Passer la perceuse en mode de PERÇAGE)

- Utiliser des mèches aiguës uniquement.
- Bien soutenir et fixer la pièce, conformément aux consignes de sécurité.
- Utiliser le matériel de sécurité approprié, conformément aux consignes de sécurité.
- Garder la zone de travail propre et sécuritaire, conformément aux consignes de sécurité.
- Faire fonctionner la perceuse très lentement en exerçant une légère pression, jusqu'à ce que le trou soit suffisamment profond pour empêcher la mèche d'en sortir.
- Appliquer une pression en ligne droite au moyen de la mèche en exerçant juste assez de pression pour permettre à la mèche de mordre dans la pièce, en évitant de caler le moteur ou de faire

dévier la mèche.

- **Tenir fermement la perceuse à deux mains, soit une main sur la poignée et l'autre sur le dessous de l'outil, près du bloc-piles, ou la poignée auxiliaire si elle est fournie.**
- **NE PAS ENFONCER ET RELÂCHER LA GÂCHETTE À PLUSIEURS REPRISES POUR ESSAYER DE REDÉMARRER LA PERCEUSE AFIN D'ÉVITER DE L'ENDOMMAGER.**
- Réduire les risques de calage au minimum en réduisant la pression lorsque la mèche perce le matériau et en perceant lentement la dernière section du trou.
- Maintenir le moteur en marche lorsqu'on retire la mèche du trou percé afin d'éviter qu'elle reste coincée.
- **S'assurer que l'interrupteur peut mettre la perceuse en position de marche ou d'arrêt.**

Perçage du bois

On peut percer le bois au moyen des mèches hélicoïdales qu'on utilise pour le métal ou de mèches à vrille. On doit utiliser des mèches bien aiguisées et les sortir fréquemment pour enlever les copeaux restés coincés dans les cannelures.

Perçage du métal

Utiliser une huile de coupe lorsqu'on perce des métaux, à l'exception de la fonte et du laiton, car ces derniers doivent être percés à sec. Pour cette tâche, les meilleurs lubrifiants sont l'huile sulfurée et l'huile de lard.

Perçage de la maçonnerie

Utiliser des mèches à pointe carburée (voir la section « Mode perçage »). Maintenir une pression uniforme sur la perceuse, sans trop forcer pour éviter de fissurer les matériaux plus cassants. La vitesse choisie est appropriée lorsque la poussière est soulevée uniformément et régulièrement.

Mode VISSAGE

⚠ AVERTISSEMENT : S'assurer que la mèche est bien serrée avant de mettre l'outil en marche. Une mèche mal serrée pourrait être éjectée de l'outil et causer des dommages corporels.

(Passer la perceuse en mode de VISSAGE)

- Pour enfoncer des attaches, pousser le bouton de commande de marche arrière vers la gauche.
 - Pousser le bouton vers la droite pour les retirer.
- REMARQUE :** On doit toujours relâcher l'interrupteur à gâchette lorsqu'on

change la position du bouton de la marche avant à la marche arrière, ou vice versa.

Lampe de travail DEL

Lorsque forage est activé en appuyant sur le commutateur de déclenchement (1), la lumière de travail de LED intégré (8) s'allume automatiquement la zone de travail et éteindra automatiquement 20 secondes après la gâchette est relâchée. Si le commutateur de déclenchement reste déprimé, la lumière de travail restera sur.

REMARQUE : la lampe de travail sert à éclairer la surface immédiate de travail et n'a pas été conçue pour être utilisée en tant que lampe torche.

Stockage d'accessoires

- Un porte-embouts (9) a été intégré dans la base de l'outil.

Le sceau SRPRC®

Le sceau SRPRC® (Société de recyclage des piles rechargeables du Canada) apposé sur une pile au nickel-cadmium, à hydrure métallique de nickel ou au lithium-ion (ou un bloc-piles) indique que les coûts de recyclage de ces derniers en fin d'utilisation ont déjà été réglés par PORTER-CABLE. Dans certaines régions, la mise au rebut ou aux ordures municipales des piles au nickel-cadmium, à l'hydrure métallique de nickel ou au lithium-ion, est illégale ; le programme de l'Appel à Recycler® constitue donc une solution pratique et écologique. Appel à Recycler Canada, Inc., en collaboration avec PORTER-CABLE et d'autres utilisateurs de piles, a mis sur pied de programme aux États-Unis et au Canada pour faciliter la collecte des piles au nickel-cadmium, à l'hydrure métallique de nickel ou au lithium-ion usagées. Aidez-nous à protéger l'environnement et à conserver nos ressources naturelles en renvoyant les piles au nickel-cadmium, à l'hydrure métallique de nickel ou au lithium-ion usagées à un centre de réparation autorisé PORTER-CABLE ou chez votre détaillant afin qu'elles y soient recyclées. On peut en outre se renseigner auprès d'un centre de recyclage local pour connaître d'autres sites les acceptant. SRPRC® est une marque déposée de l'Appel à Recycler Canada, Inc.



Maintenance

⚠ AVERTISSEMENT : *pour réduire tout risque de dommages corporels graves, arrêter l'outil et retirer le bloc-piles avant tout réglage ou avant de retirer ou installer toute pièce ou tout accessoire. Tout démarrage accidentel comporte des risques de dommages corporels.*

ENTRETIEN

⚠ AVERTISSEMENT : *expulser tout débris ou poussière des orifices d'aération à l'aide d'un jet d'air sec au moins une fois par semaine. Pour réduire tout risque de lésions oculaires, porter systématiquement une protection oculaire homologuée ANSI Z87.1 pour effectuer cet entretien.*

⚠ AVERTISSEMENT : *ne jamais utiliser de solvants ou tout autre produit chimique décapant pour nettoyer les parties non métalliques de l'outil. Ces produits chimiques pourraient en attaquer les matériaux plastiques utilisés. Utiliser seulement un chiffon humidifié d'eau et un savon doux. Ne laisser aucun liquide pénétrer dans l'outil ; ne jamais immerger aucune partie de l'outil dans un liquide.*

Nettoyer l'outil seulement avec un savon doux et un chiffon humide. Ne laisser aucun liquide pénétrer dans l'outil ; ne jamais immerger aucune partie de l'outil dans un liquide.

INSTRUCTIONS D'ENTRETIEN DU CHARGEUR

⚠ AVERTISSEMENT : *risques de chocs électriques. Débrancher le chargeur de la prise de courant alternatif avant tout entretien.*

Éliminer toute saleté ou graisse de la surface externe du chargeur à l'aide d'un chiffon ou d'une brosse non métallique douce. N'utiliser ni eau ni aucun nettoyant liquide.

Pièces de rechange

Utiliser seulement des pièces de rechange identiques. Pour obtenir une liste des pièces de rechange ou pour en commander, consulter le site Web www.portercable.com. Il est également possible de commander des pièces au centre de réparation de l'usine PORTER-CABLE et au centre de réparation sous garantie autorisé PORTER-CABLE le plus près. Ou composer le 1-888-848-5175 pour le service à la clientèle.

Cet appareil numérique de la classe B

est conforme à la norme NMB-003 du Canada.

Cet appareil est conforme aux dispositions du paragraphe 15 des règlements de la FCC. Son fonctionnement est régi par les deux conditions suivantes : (1) Cet appareil ne peut pas causer d'interférence nuisible et (2) cet appareil doit accepter toutes les interférences reçues, y compris celles qui risquent d'en gêner le fonctionnement.

REMARQUE : ce matériel a été testé et a été déclaré conforme aux limites en vigueur concernant les dispositifs numériques de classe B, en vertu de la partie 15 de la réglementation FCC. Ces limites visent à assurer une protection raisonnable contre tout brouillage nuisible dans une installation résidentielle. Ce matériel produit, consomme et peut émettre une énergie de radiofréquence et, s'il n'est pas installé et utilisé conformément aux directives qui l'accompagnent, il peut entraîner un brouillage nuisible des communications radio. Cependant, nous ne garantissons pas l'absence de brouillage dans tous les types d'environnement. Si, après avoir effectué une vérification en mettant l'appareil hors tension puis sous tension, l'utilisateur s'aperçoit que ce matériel provoque un brouillage nuisible à la réception des signaux de radio ou de télévision, il lui faudra essayer de corriger ce brouillage en prenant une ou plusieurs des mesures ci-dessous :

- Réorienter ou repositionner l'antenne de réception.
- Éloigner le plus possible le matériel du récepteur.
- Brancher le matériel dans une prise électrique située sur un circuit différent de celui du récepteur.
- Consulter le distributeur ou un technicien radio/télévision expérimenté pour obtenir de l'aide.

Tout changement ou toute modification à cet appareil qui n'est pas expressément approuvé par l'institution responsable de la conformité peut faire annuler le droit de l'utilisateur d'utiliser ce matériel. Cet appareil numérique de la classe B est conforme à la norme NMB-003 du Canada.

DÉPANNAGE

Problème

- L'appareil refuse de démarrer.
- Le bloc-piles ne se charge pas.

Cause possible

- Mauvaise installation du bloc-piles.
- Bloc-piles non chargé.
- Composants internes trop chauds.
- Bloc-piles non inséré dans le chargeur.
- le voyant DEL rouge
- Chargeur non branché.
- Température ambiante.

Solution possible

- Vérifier l'installation du bloc-piles.
- Vérifier les exigences de
- Laisser l'outil refroidir.
- Insérer le bloc-piles dans le chargeur de sorte que apparaisse.
- Brancher le chargeur dans une prise qui fonctionne. Se reporter à « Remarques importantes de chargement » pour plus de renseignements.
- Si les chargeurs sont reliés à un cordon multiprise, vérifier toutes les connexions.
- Déplacer le chargeur et la pile dans un endroit où la température de l'air ambiant est supérieure à 4,5 °C (40 °F) et inférieure à 40,5 °C (105 °F).
- Laisser le bloc-piles refroidir.
- Placer dans le chargeur le temps d'une charge.

- L'appareil s'éteint soudainement.

Le bloc-piles a atteint sa limite thermique maximale.

• Bloc-piles épuisé. **(Pour maximiser la durée de vie du bloc-piles, celui-ci est conçu pour s'éteindre soudainement lorsqu'il est épuisé.)**

Pour de l'aide avec l'outil, consulter notre site Web www.portercable.com pour l'emplacement du centre de réparation le plus près ou communiquer avec l'assistance Porter-Cable au **(888)848-5175**.

Entretien et réparation

Ce produit n'est pas réparable par l'utilisateur. Aucune pièce à l'intérieur du chargeur ne peut être réparée par l'utilisateur. Pour éviter tout dommage aux composants internes sensibles à l'électricité statique, faire effectuer toute réparation par un centre de réparation autorisé. Pour de plus amples renseignements à propos de PORTER-CABLE, ses centres de réparation en usine ou ses centres de réparation sous garantie autorisés, visiter notre site Web au www.portercable.com ou communiquer avec notre centre de service à la clientèle en composant le 888-848-5175. Toutes les réparations effectuées dans nos centres de réparation sont entièrement garanties contre les défauts de matériaux et de main-d'oeuvre. Nous ne pouvons pas garantir les réparations effectuées en partie ou totalement par d'autres. Pour de plus amples renseignements

par courrier, écrire à PORTER-CABLE, 4825 Highway 45 North, Jackson, Tennessee 38305, (888) 848-5175, É.-U. - à l'attention de : Product Service. S'assurer d'indiquer toutes les informations figurant sur la plaque signalétique de l'outil (numéro du modèle, type, numéro de série, etc.).

Accessoires

⚠ AVERTISSEMENT : Puisque les accessoires autres que ceux offerts par PORTER-CABLE n'ont pas été testés avec ce produit, l'utilisation de ceux-ci avec l'outil pourrait s'avérer dangereuse. Pour réduire le risque de blessures, utiliser exclusivement les accessoires PORTER-CABLE recommandés avec le produit. Les centres de réparation de l'usine PORTER-CABLE ou les centres de réparation sous garantie autorisés PORTER-CABLE sont en mesure de vous fournir la gamme complète d'accessoires.

Consulter le site Web www.portercable.com pour obtenir un catalogue ou le nom du fournisseur local.

GARANTIE LIMITÉE DE TROIS ANS

PORTER-CABLE réparera ou remplacera gratuitement tous les outils défectueux présentant des défauts de matériau ou de fabrication

pendant trois ans à compter de la date d'achat [garantie de deux ans pour les blocs-piles]. Cette garantie ne couvre pas des défaillances de pièce dues à une usure normale ou à une mauvaise utilisation de l'outil. Pour plus de détails relatifs à la couverture de la garantie et aux réparations sous garantie, visiter le site www.portercable.com ou composer le 888-848-5175. Cette garantie ne s'applique pas aux accessoires ni aux dommages causés par des réparations réalisées ou tentées par des tiers. Cette garantie vous accorde des droits légaux spécifiques et il est possible que vous ayez d'autres droits qui varient d'un État ou d'une province à l'autre.

En plus de la garantie, les outils PORTER-CABLE sont couverts par notre :

SERVICE D'ENTRETIEN GRATUIT D'UN

(1) AN : PORTER-CABLE entretiendra l'outil et remplacera les pièces usées par une utilisation normale, et ce, gratuitement et à tout instant pendant la première année à compter de la date d'achat.

GARANTIE DE REMBOURSEMENT

DE 90 JOURS : Si l'utilisateur n'est pas entièrement satisfait des performances de son outil électrique PORTER-CABLE pour une raison quelconque, il peut le retourner accompagné du reçu dans les 90 jours suivant la date d'achat, et nous le lui rembourserons entièrement - sans poser de question.

AMÉRIQUE LATINE : cette garantie ne s'applique pas aux produits vendus en Amérique latine. Pour ceux-ci, veuillez consulter les informations relatives à la garantie spécifique présente dans l'emballage, appeler l'entreprise locale ou consulter le site Web pour les informations relatives à cette garantie.

Pour enregistrer l'outil en vue d'obtenir un service de garantie, consulter notre site Web au www.portercable.com.

REMPLACEMENT DES ÉTIQUETTES D'AVERTISSEMENT

Si vos étiquettes d'avertissement sont illisibles ou manquantes, contactez le 888-848-5175 pour en obtenir le remplacement gratuit.

PORTER  CABLE.

4825 Highway 45 North,
Jackson, Tennessee 38305
(888) 848-5175
www.deltaportercable.com

PAUTAS DE SEGURIDAD/DEFINICIONES

Es importante que lea y comprenda este manual. La información que contiene se relaciona con la protección de SU SEGURIDAD y la PREVENCIÓN DE PROBLEMAS. Los símbolos que siguen se utilizan para ayudarlo a reconocer esta información.

⚠ PELIGRO: indica una situación de peligro inminente que, si no se evita, provocará la muerte o lesiones graves.

⚠ ADVERTENCIA: indica una situación de peligro potencial que, si no se evita, provocará la muerte o lesiones graves.

⚠ PRECAUCIÓN: indica una situación de peligro potencial que, si no se evita, provocará lesiones leves o moderadas.

PRECAUCIÓN: utilizado sin el símbolo de alerta de seguridad indica una situación de peligro potencial que, si no se evita, puede provocar daños en la propiedad.

Advertencias generales de seguridad para herramientas eléctricas

⚠ ADVERTENCIA: Lea todas las advertencias de seguridad e instrucciones. El incumplimiento de las advertencias e instrucciones puede provocar descargas eléctricas, incendios o lesiones graves.

Conserve todas las advertencias e instrucciones para futuras consultas.

El término "herramienta eléctrica" incluido en las advertencias hace referencia a las herramientas eléctricas operadas con corriente (con cable eléctrico) o a las herramientas eléctricas operadas con baterías (inalámbricas).

1) Seguridad en el área de trabajo

a) Mantenga el área de trabajo limpia y bien iluminada. *Las áreas abarrotadas y oscuras propician accidentes.*

b) No opere herramientas eléctricas en atmósferas explosivas, como ambientes donde se encuentran líquidos, gases o polvo inflamables. *Las herramientas eléctricas originan chispas que pueden encender el polvo o los vapores.*

c) Mantenga a los niños y espectadores alejados de la herramienta eléctrica en funcionamiento. *Las distracciones pueden provocar la pérdida de control.*

2) Seguridad eléctrica

a) Los enchufes de la herramienta eléctrica deben adaptarse al tomacorriente. Nunca modifique el enchufe de ninguna manera. No utilice ningún enchufe adaptador con herramientas eléctricas con conexión a tierra. *Los enchufes no modificados y que se adaptan a los tomacorrientes reducirán el riesgo de descarga eléctrica.*

b) Evite el contacto corporal con

superficies puestas a tierra, como por ejemplo tuberías, radiadores, rangos y refrigeradores. *Existe mayor riesgo de descarga eléctrica si su cuerpo está puesto a tierra.*

- c) No exponga las herramientas eléctricas a la lluvia o a condiciones de humedad. *Si ingresa agua a una herramienta eléctrica, aumentará el riesgo de descarga eléctrica.*
- d) No maltrate al cable. Nunca utilice el cable para transportar, tirar o desenchufar la herramienta eléctrica. Mantenga el cable lejos del calor, aceite, bordes afilados o piezas móviles. *Los cables dañados o enredados aumentan el riesgo de descarga eléctrica.*
- e) Al operar una herramienta eléctrica en el exterior, utilice un cable prolongador adecuado para tal uso. *Utilice un cable adecuado para uso en exteriores a fin de reducir el riesgo de descarga eléctrica.*
- f) Si el uso de una herramienta eléctrica en un lugar húmedo es imposible de evitar, utilice un suministro protegido con un interruptor de circuito por falla a tierra (GFCI). *El uso de un GFCI reduce el riesgo de descargas eléctricas.*
- #### 3) Seguridad personal
- a) Permanezca alerta, controle lo que está haciendo y utilice el sentido común cuando emplee una herramienta eléctrica. *No utilice una herramienta eléctrica si está cansado o bajo el efecto de drogas, alcohol o medicamentos. Un momento de descuido mientras se opera una herramienta eléctrica puede provocar lesiones personales graves.*
- b) Utilice equipos de protección personal. Siempre utilice protección para los ojos. *En las condiciones adecuadas, el uso de equipos de protección, como*

máscaras para polvo, calzado de seguridad antideslizante, cascos o protección auditiva, reducirá las lesiones personales.

- c) **Evite el encendido por accidente. Asegúrese de que el interruptor esté en la posición de apagado antes de conectarlo a la fuente de energía o paquete de baterías, o antes de levantar o transportar la herramienta.** *Transportar herramientas eléctricas con el dedo apoyado en el interruptor o enchufar herramientas eléctricas con el interruptor en la posición de encendido puede propiciar accidentes.*
- d) **Retire las clavijas de ajuste o llaves de tuercas antes de encender la herramienta eléctrica.** *Una llave de tuercas o una clavija de ajuste que se deje conectada a una pieza giratoria de la herramienta eléctrica pueden provocar lesiones personales.*
- e) **No se estire. Conserve el equilibrio adecuado y manténgase parado correctamente en todo momento.** *Esto permite un mejor control de la herramienta eléctrica en situaciones inesperadas.*
- f) **Use la vestimenta adecuada. No use ropas holgadas ni joyas. Mantenga el cabello, la ropa y los guantes alejados de las piezas en movimiento.** *Las ropas holgadas, las joyas o el cabello largo pueden quedar atrapados en las piezas en movimiento.*
- g) **Si se suministran dispositivos para la conexión de accesorios con fines de recolección y extracción de polvo, asegúrese de que estén conectados y que se utilicen correctamente.** *El uso de dispositivos de recolección de polvo puede reducir los peligros relacionados con el polvo.*
- 4) **Uso y mantenimiento de la herramienta eléctrica**
- a) **No fuerce la herramienta eléctrica. Utilice la herramienta eléctrica correcta para el trabajo que realizará.** *La herramienta eléctrica correcta hará el trabajo mejor y más seguro a la velocidad para la que fue diseñada.*
- b) **No utilice la herramienta eléctrica si no puede encenderla o apagarla con el interruptor.** *Toda herramienta eléctrica que no puede ser controlada mediante el interruptor es peligrosa y debe ser reparada.*
- c) **Desconecte el enchufe de la fuente de energía y/o el paquete de baterías de la herramienta eléctrica antes de realizar ajustes, cambiar accesorios o almacenar herramientas eléctricas.** *Estas medidas de seguridad preventivas reducen el riesgo de encender la herramienta eléctrica en forma accidental.*
- d) **Guarde las herramientas eléctricas que no están en uso fuera del alcance de los niños y no permite que otras personas no familiarizadas con ella o con estas instrucciones operen la herramienta.** *Las herramientas eléctricas son peligrosas en las manos de usuarios no entrenados.*
- e) **Mantenimiento de las herramientas eléctricas. Controle que no haya piezas móviles mal alineadas o trabadas, piezas rotas y toda otra situación que pueda afectar el funcionamiento de las herramientas eléctricas. Si encuentra daños, haga reparar la herramienta eléctrica antes de utilizarla.** *Se producen muchos accidentes a causa de las herramientas eléctricas que carecen de un mantenimiento adecuado.*
- f) **Mantenga las herramientas de corte afiladas y limpias.** *Las herramientas de corte con mantenimiento adecuado, con los bordes de corte afilados son menos propensas a trabarse y son más fáciles de controlar.*
- g) **Utilice la herramienta eléctrica, los accesorios y las brocas de la herramienta, etc. de acuerdo con estas instrucciones y teniendo en cuenta las condiciones de trabajo y el trabajo que debe realizarse.** *El uso de la herramienta eléctrica para operaciones diferentes de aquéllas para las que fue diseñada podría originar una situación peligrosa.*
- 5) **Uso y mantenimiento de la herramienta con baterías**
- a) **Recargue solamente con el cargador especificado por el fabricante.** *Un cargador adecuado para un tipo de paquete de baterías puede originar riesgo de incendio si se utiliza con otro paquete de baterías.*
- b) **Utilice herramientas eléctricas sólo con paquetes de baterías específicamente diseñados.** *El uso de cualquier otro paquete de baterías puede producir riesgo de incendio y lesiones.*
- c) **Cuando no utilice el paquete de baterías, manténgalo lejos de otros objetos metálicos como**

sujetapapeles, monedas, llaves, clavos, tornillos u otros objetos metálicos pequeños que puedan realizar una conexión desde un terminal al otro. *Los cortocircuitos en los terminales de la batería pueden provocar quemaduras o incendio.*

d) En condiciones abusivas, el líquido puede ser expulsado de la batería. Evite su contacto. Si entra en contacto accidentalmente, enjuague con agua. Si el líquido entra en contacto con sus ojos, busque atención médica. *El líquido expulsado de la batería puede provocar irritación o quemaduras.*

6) Mantenimiento

a) Haga que una persona de reparaciones calificada realice el mantenimiento de su herramienta eléctrica y utilice piezas de repuesto idénticas solamente. *Esto garantizará la seguridad de la herramienta eléctrica.*

Advertencias de seguridad para el taladro

- **Use el o los mangos auxiliares, si se suministran con la herramienta.** *La pérdida del control puede provocar lesiones personales.*
- **Al realizar una operación en la que el accesorio de corte pueda entrar en contacto con cables eléctricos ocultos, sostenga la herramienta eléctrica por las superficies de agarre aisladas.** *El contacto del accesorio de corte con un cable con corriente eléctrica puede provocar que las partes metálicas expuestas de la herramienta eléctrica también conduzcan la corriente y que el operador sufra una descarga eléctrica.*
- **Utilice abrazaderas u otra forma práctica para asegurar y sostener la pieza de trabajo sobre una plataforma estable.** *Sostener el trabajo con la mano o contra el cuerpo no brinda la estabilidad requerida y puede llevar a la pérdida del control.*
- **Cuando no se utilice, coloque la herramienta de costado en una superficie estable en la que no provocará tropezones o caídas.** *Algunas herramientas con paquetes de baterías grandes tienen la capacidad de mantenerse en posición vertical, pero pueden ser fácilmente derribadas.*
- **Mantenga el cabello, la ropa y los guantes alejados de los orificios de ventilación.** *Los orificios de ventilación suelen cubrir piezas móviles donde estos elementos se pueden enganchar.*
- **Sostenga la herramienta firmemente con ambas manos, una mano en el**

mango y la otra sujetando la parte inferior alrededor del área de la batería. Utilice el mango auxiliar, si es provisto. La pérdida del control puede provocar lesiones personales.

⚠ ADVERTENCIA: USE SIEMPRE LENTES DE SEGURIDAD. *Los anteojos de uso diario NO son lentes de seguridad. Utilice también máscaras faciales o para polvo si el corte produce polvillo. UTILICE SIEMPRE EQUIPOS DE SEGURIDAD CERTIFICADOS:*

- *Protección para los ojos según la norma ANSI Z87.1 (CAN/CSA Z94.3)*
- *Protección auditiva según la norma ANSI S12.6 (S3.19)*
- *Protección respiratoria según las normas NIOSH/OSHA/MSHA*

⚠ ADVERTENCIA: parte del polvo producido por las herramientas eléctricas al lijar, aserrar, esmerilar, taladrar y realizar otras actividades de la construcción, contiene productos químicos reconocidos por el Estado de California como causantes de cáncer, defectos de nacimiento u otros problemas reproductivos. Algunos de estos productos químicos son:

- el plomo de las pinturas de base plomo,
- la sílice cristalina de ladrillos, el cemento y otros productos de mampostería, y
- el arsénico y el cromo de la madera con tratamiento químico.

El riesgo derivado de estas exposiciones varía según la frecuencia con la que se realice este tipo de trabajo. Para reducir la exposición a estos productos químicos: trabaje en áreas bien ventiladas y trabaje con equipos de seguridad aprobados, como las máscaras para polvo especialmente diseñadas para filtrar las partículas microscópicas.

- **Evite el contacto prolongado con el polvo procedente del lijado, serrado, esmerilado y taladrado eléctricos, así como de otras actividades del sector de la construcción. Lleve ropa protectora y lave con agua y jabón las zonas expuestas.** *Si permite que el polvo se introduzca en la boca u ojos o quede sobre la piel, puede favorecer la absorción de productos químicos peligrosos.*

⚠ ADVERTENCIA: El uso de esta herramienta puede generar o dispersar polvo lo cual puede causar lesiones respiratorias serias y permanentes y otros tipos de lesión. Siempre use protección respiratoria aprobada por NIOSH/OSHA para la exposición al polvo. Dirija las partículas en dirección opuesta a su cara y cuerpo.

Símbolos

- La etiqueta de su herramienta puede incluir los siguientes símbolos. Los símbolos y

sus definiciones son los siguientes:

V.....	voltios
A.....	amperios
Hz.....	hertz
W.....	vatios
min.....	minutos
~ o AC.....	corriente alterna
--- o DC.....	corriente directa
n_0	no velocidad sin carga
Ⓢ.....	Construcción Clase I
⊕.....	terminal a tierra (mis à la terre)
Ⓜ.....	Construcción de clase II
⚠.....	simbolo de alerta
.../min.....	revoluciones o minuto seguridad
📖.....	Lea el manual de

👉.....	instrucciones antes del uso Use protección adecuada para las vías respiratorias
👁.....	Use protección adecuada para los ojos
👂.....	Use protección adecuada para los oídos

- Cuando use un alargador, asegúrese de usar uno de un calibre suficiente como para cargar con la corriente que requerirá su producto. Un alargador de menor calibre causará una caída en el voltaje de la línea lo que resultará en pérdida de potencia y sobrecalentamiento. El siguiente cuadro muestra el tamaño correcto a utilizar, dependiendo del largo del cable y el amperaje nominal. En caso de duda, utilice el de mayor calibre. Mientras menor el número del calibre, mayor la capacidad del cable.

Tamaño mínimo recomendado del conductor para los cables de extensión

Longitud total del cable

25 pies	50 pies	75 pies	100 pies	125 pies	150 pies	175 pies
7.6 m	15.2 m	22.9 m	30.5 m	38.1 m	45.7 m	53.3 m

Tamaño AWG del conductor

18	18	16	16	14	14	12
----	----	----	----	----	----	----

Instrucciones de seguridad importantes para los cargadores de baterías

CONSERVE ESTAS INSTRUCCIONES:

Este manual contiene instrucciones de seguridad importantes para los cargadores de baterías.

⚠ ADVERTENCIA: Antes de utilizar el cargador, lea todas las instrucciones y las prevenciones en el cargador, en el paquete de baterías y en el producto que utiliza el paquete de baterías.

- **Riesgo de descarga eléctrica.** No permita que ningún líquido entre en el cargador.
- **Riesgo de quemaduras.** Para reducir el riesgo de lesiones, cargue solamente baterías **PORTER-CABLE**. Otros tipos de baterías pueden estallar y provocar daños personales y materiales.
- En determinadas circunstancias, con el cargador enchufado en el tomacorriente, algunos materiales extraños pueden provocar un cortocircuito en el cargador. Se deben mantener lejos de las cavidades del cargador los materiales extraños de naturaleza conductora, entre los que se incluyen la lana de acero, el papel de aluminio o cualquier acumulación de partículas metálicas. Éstos son sólo algunos ejemplos y no constituyen una lista taxativa.

Siempre desenchufe el cargador del tomacorriente cuando no haya un paquete de baterías en la cavidad. Desenchufe el cargador antes de intentar limpiarlo.

- **NO intente cargar el paquete de baterías con otros cargadores que no sean de la marca. Los cargadores y los paquetes de baterías están diseñados específicamente para trabajar juntos.**
- **Estos cargadores están diseñados para utilizarse exclusivamente con las baterías recargables PORTER-CABLE designadas. Otros usos pueden provocar riesgo de incendio, descarga eléctrica o electrocución.**
- **No exponga el cargador a la lluvia ni a la nieve.**
- **Para desconectar el cargador o los cables para cadena de margarita, tire del enchufe en lugar del cable. Esto reducirá el riesgo de dañar el enchufe o el cable.**
- **Asegúrese de que el cable esté ubicado de modo que no lo pise o se tropiece con él y que no esté sujeto a daños o tensiones de alguna otra forma.**
- **No utilice un cable prolongador a menos que sea absolutamente necesario. El uso de un cable prolongador incorrecto puede provocar riesgo de incendio, descarga eléctrica o electrocución.**
- **Para garantizar la seguridad, un cable**

prolongador debe tener un tamaño de cable adecuado (AWG o Calibre de conductor de Estados Unidos).

Cuanto más pequeño sea el número de calibre del conductor, mayor será la capacidad del cable; es decir, un calibre 16 tiene más capacidad que un calibre 18. Cuando se utiliza más de una prolongación para lograr la longitud total, asegúrese de que cada prolongación tenga la medida mínima del conductor.

- **No coloque objetos en la parte superior del cargador ni coloque el cargador en una superficie blanda que pueda bloquear las ranuras de ventilación y provocar un calor interno excesivo. Coloque el cargador en una posición alejada de cualquier fuente de calor.** El cargador se ventila a través de ranuras en la parte superior e inferior de la cubierta.
- **No monte el cargador en la pared ni lo instale en forma permanente sobre ninguna superficie.** El cargador está diseñado para ser utilizado sobre una superficie plana y estable (p. ej., un banco o una mesa).
- **No opere el cargador con cables o enchufes dañados:** *reemplácelos de inmediato.*
- **No opere el cargador si éste ha recibido un golpe fuerte, se ha caído, o se ha dañado de cualquier otra manera.** *Llévelo a un centro de mantenimiento autorizado.*
- **No desarme el cargador; llévalo a un centro de mantenimiento autorizado cuando se requiera mantenimiento o una reparación.** *El armado incorrecto puede implicar un riesgo de descarga eléctrica, electrocución o incendio.*
- **Antes de limpiarlo, desconecte el cargador del tomacorriente.** Esto reducirá el riesgo de descarga eléctrica. Quitar el paquete de baterías no reducirá este riesgo.
- **NUNCA intente conectar 2 cargadores juntos.**
- **El cargador está diseñado para operar con corriente eléctrica doméstica estándar (120 voltios). No intente utilizarlo con otro voltaje.**

CONSERVE ESTAS INSTRUCCIONES

Instrucciones de seguridad importantes para los paquetes de baterías

⚠ ADVERTENCIA: *Para un funcionamiento seguro, lea éste y todos los manuales de instrucciones incluidos con la*

herramienta antes de usar el cargador.

El paquete de baterías incluido en la caja no está completamente cargado. Antes de utilizar el paquete de baterías y el cargador, lea las instrucciones de seguridad a continuación. Luego siga los procedimientos de carga descritos.

LEA TODAS LAS INSTRUCCIONES

- **No incinere el paquete de baterías, aun si tiene daños importantes o está completamente desgastado.** *El paquete de baterías puede explotar en el fuego. Cuando se queman paquetes de baterías de Li-Ion se generan vapores y materiales tóxicos.*
- **No cargue ni use la batería en atmósferas explosivas, como ambientes en los que hay líquidos, gases o polvo inflamables.** *Insertar o retirar la batería del cargador puede encender el polvo o los vapores.*
- **Si el contenido de las baterías entra en contacto con la piel, lave el área de inmediato con agua y jabón suave.** *Si el líquido de la batería entra en contacto con los ojos, enjuague con agua manteniendo los ojos abiertos durante 15 minutos o hasta que la irritación cese. Si se necesita atención médica, el electrolito de las baterías de Li-Ion contiene una mezcla de carbonatos orgánicos líquidos y sales de litio.*
- **El contenido de las células de la batería abierta puede generar irritación respiratoria.** *Respire aire fresco. Si los síntomas persisten, busque atención médica.*

⚠ ADVERTENCIA: **Peligro de quemaduras.** *El líquido de la batería puede encenderse si se expone a chispas o llamas.*

- *Cargue los paquetes de baterías sólo con cargadores de PORTER-CABLE.*
- **NO salpique o sumerja en agua u otros líquidos.** *Esto puede causar una falla prematura de las células.*
- **No almacene ni utilice la herramienta y el paquete de baterías en lugares en los que la temperatura por debajo de -4 ° f (-20 ° C) o pueda alcanzar o superar los 40 ° C (105 ° F) (como en toldos al aire libre o construcciones de metal en verano).**

⚠ ADVERTENCIA: *Nunca intente abrir el paquete de baterías por ningún motivo. Si la caja del paquete de baterías está agrietada o dañada, no la introduzca en el cargador. No comprima, deje caer ni dañe el paquete de baterías. No utilice un paquete de baterías o un cargador que*

haya recibido un golpe fuerte, se haya caído, esté agotado o dañado de alguna forma (por ejemplo, perforado con un clavo, golpeado con un martillo, pisado). Los paquetes de baterías dañados deben devolverse al centro de mantenimiento para su reciclado.

⚠ ADVERTENCIA: Riesgo de incendio. No guarde o transporte la batería de ninguna manera que permita que los terminales expuestos de la batería entren en contacto con objetos metálicos. Por ejemplo, no coloque la batería en delantales, bolsillos, cajas de herramientas, cajas de juegos de productos, cajones, etc. con clavos, llaves, tornillos sueltos, etc. **Transportar baterías puede provocar incendios si los terminales de la batería entran en contacto accidentalmente con materiales conductores como llaves, monedas, herramientas de mano u objetos similares.** Las Normas para Materiales Peligrosos del Departamento de Transporte de los EE.UU. (HMR) concretamente prohíben transportar baterías comercialmente o en aviones (es decir, empaçadas en maletas y equipaje de mano) A MENOS que estén debidamente protegidas de cortocircuitos. Por lo tanto, cuando transporte baterías individuales, asegúrese de que los terminales de la batería estén protegidos y bien aislados de materiales que puedan hacer contacto y causar un cortocircuito. **NOTA: Las baterías de iones de litio no deben colocarse dentro del equipaje registrado.**

NOTA: No almacene las baterías en una herramienta con el interruptor de gatillo en posición encendida. No use nunca cinta adhesiva para mantener el interruptor de gatillo en la posición de ENCENDIDO.

No fuerce NUNCA la batería en el cargador. NO modifique la batería de ningún modo para que entre en un cargador no compatible, ya que ésta puede romperse y causar graves lesiones corporales.

Recomendaciones con respecto al almacenamiento

1. El mejor lugar de almacenamiento es uno que sea fresco y seco fuera de la luz solar directa y de un exceso de calor o frío.
2. El almacenamiento prolongado no dañará el paquete de baterías o el cargador. En las condiciones adecuadas, las baterías de Li-Ion pueden almacenarse durante 5 años o más.

Procedimiento de carga

Los cargadores PORTER-CABLE están diseñados para cargar paquetes de

baterías PORTER-CABLE. Los tiempos de carga son: PCC690L de 40 a 80 min, PCC691L, PCC699L de 70 a 140 min, PCC692/PCC692L de 40 a 80 min, y PCC695L de 180 a 360 min, según el paquete que se cargue.

1. Enchufe el cargador en un tomacorriente adecuado antes de insertar el paquete de baterías.

2. Introdúzca el paquete de baterías en el cargador.



3. La luz LED titilará, lo que indica que la batería se está cargando.



4. La luz LED fija indicará que la carga ha finalizado. El paquete está completamente cargado


y puede utilizarse en este momento o dejarse en el cargador.

Después del uso, recargue las baterías descargadas a la brevedad posible o de lo contrario la vida útil de las baterías podría acortarse en gran medida. Para obtener la máxima vida útil de las baterías, no permita que éstas se descarguen completamente. Se recomienda recargar las baterías después de cada uso.


Diagnóstico del cargador

Este cargador está diseñado para detectar ciertos problemas que pueden surgir con los paquetes de baterías o la fuente de alimentación. Los problemas se indican mediante una luz LED que titila en diferentes patrones.


Batería en mal estado

 El cargador puede detectar una batería débil o dañada. La luz LED titila en el patrón indicado en la etiqueta. Si observa este patrón intermitente de batería en mal estado, interrumpa la carga de la batería. Devuélvala a un centro de mantenimiento o a un lugar de recolección para reciclado.

Retraso por paquete caliente/frío

 Cuando el cargador detecta una batería excesivamente caliente o excesivamente fría, enciende automáticamente un Retraso por paquete caliente/frío que suspende la carga hasta que la batería se normaliza. Después de esto, el cargador cambia automáticamente al modo de Paquete cargando. Esta función garantiza la duración máxima de la batería. La luz titila en el patrón indicado en la etiqueta.

Línea de potencia con problemas

 Cuando el cargador se utiliza con algunas fuentes de alimentación portátiles, como generadores o fuentes que convierten CC a CA, el cargador

puede suspender temporalmente la operación. La luz LED titila en el patrón indicado en la etiqueta. Esto indica que la fuente de alimentación está fuera de los límites.

Dejar la batería en el cargador

El cargador y el paquete de baterías se pueden dejar conectados indefinidamente con la luz LED encendida. El cargador mantendrá el paquete de baterías como nuevo y completamente cargado. Este cargador posee un modo Tune-up automático que iguala o equilibra las celdas individuales en el paquete de baterías para que éste funcione a máxima capacidad. Los paquetes de baterías deben ajustarse semanalmente o siempre que la batería ya no suministre la misma cantidad de potencia. Para utilizar el modo Tune-up automático, coloque el paquete de baterías en el cargador y déjelo allí durante 8 horas como mínimo.

Notas importantes sobre la carga

1. Obtendrá una duración más prolongada y un mejor rendimiento si el paquete de baterías se carga cuando la temperatura ambiente está entre 18 °C y 24 °C (65 °F y 75 °F). NO cargue el paquete de batería con una temperatura ambiental por debajo de +4,5 °C (+40 °F) o por encima de +40,5 °C (+105 °F). Esto es importante y evitará daños graves en el paquete de baterías.

2. El cargador y el paquete de baterías pueden estar calientes al tacto durante la carga. Esto es una condición normal y no indica un problema. Para facilitar el enfriado del paquete de baterías después de su uso, evite colocar el cargador o el paquete de baterías en un ambiente cálido, como debajo de un toldo de metal o en un remolque sin aislamiento.

3. Si el paquete de baterías no se carga adecuadamente:

- Revise el tomacorriente enchufando una lámpara u otro aparato
- Verifique si el tomacorriente está conectado a un interruptor que corta la energía cuando usted apaga las luces.
- Mueva el cargador y el paquete de baterías a un lugar donde la temperatura ambiental sea de aproximadamente 18 °C a 24 °C (65 °F a 75 °F).
- Si los problemas de carga persisten, lleve la herramienta, el paquete de baterías y el cargador al centro de mantenimiento local.

4. Se debe recargar el paquete de baterías cuando no produce energía suficiente para tareas que previamente realizaba con facilidad. NO CONTINUE utilizando la herramienta en estas condiciones. Siga el procedimiento de carga. También se puede cargar un paquete de baterías parcialmente usado cuando se desee, sin ningún efecto negativo sobre éstas.

FUNCTIONAL DESCRIPTION

Figure A

- Interruptor de gatillo
- Botón de avance/retroceso
- Collarín de ajuste del par de torsión
- Selector de dos velocidades
- Portabrocas sin llave
- Batería
- Botón de liberación de la batería
- Luz de trabajo LED
- Gancho para punta de broca



Este producto es compatible con todas las baterías y los cargadores detallados en el siguiente cuadro.

Batería: Li-Ion de 20V Max*: PCC680L, PCC681L, PCC682/PCC682L, PCC685L
Cargador: Li-Ion de 20V Max*: PCC690L, PCC691L, PCC692/PCC692L, PCC695L, PCC699L

Uso previsto

El taladro atornillador está diseñado para aplicaciones de taladrado y atornillado.

NO utilice la herramienta en condiciones húmedas ni en presencia de líquidos o gases inflamables.

NO permita que los niños toquen la herramienta. Si el operador no tiene experiencia utilizando esta herramienta, deberá ser supervisado.

Jamás altere la herramienta eléctrica ni ninguna de sus piezas. Podrían producirse lesiones corporales o daños.

Instrucciones y advertencias de seguridad: Taladros

⚠ ADVERTENCIA: Para disminuir el riesgo de lesiones corporales graves, apague la herramienta y extraiga la batería antes de realizar cualquier ajuste o de quitar o instalar accesorios. La puesta en marcha accidental puede causar lesiones.

⚠ ADVERTENCIA: Antes de usar la herramienta, lea todas las instrucciones y advertencias en la herramienta.

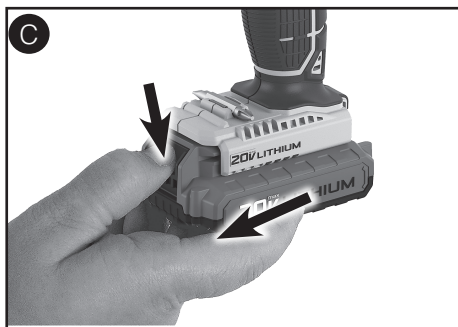
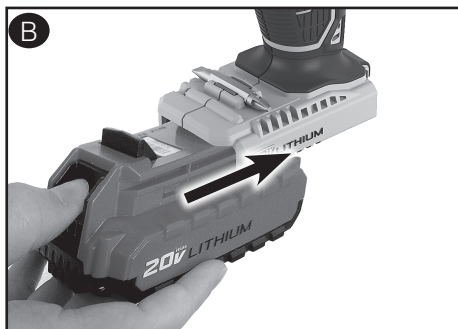
⚠ ADVERTENCIA: El taladro se puede atascar (si se sobrecarga o se usa inadecuadamente) y provocar una torsión. Siempre espere el atascamiento. Sujete el taladro firmemente con ambas manos para controlar la torsión y evitar la pérdida de control que podría ocasionar lesiones personales. En caso de que la herramienta se atasque, suelte el disparador inmediatamente y determine la causa del atascamiento antes de encenderla nuevamente.

Instrucciones de operación Instalación y extracción del paquete de baterías de la herramienta

⚠ PRECAUCIÓN: Asegúrese de que el botón de bloqueo esté trabado para evitar el accionamiento del interruptor antes de extraer o instalar la batería.

PARA INSTALAR EL PAQUETE DE BATERÍAS: Introduzca el paquete de baterías en la herramienta como se muestra en la **figura B**.

PARA EXTRAER EL PAQUETE DE BATERÍAS: Presione el botón de liberación de la batería (8), como se muestra en la **figura C**, y tire del paquete de baterías hasta extraerlo de la herramienta.



Interruptor de gatillo de velocidad variable

La herramienta se **ENCIENDE** y se **APAGA** apretando y soltando el interruptor de gatillo (1). Cuanto más se apriete el gatillo, mayor será la velocidad del taladro.

- Para encender la herramienta, apriete el interruptor de gatillo (1).
- Para apagar la herramienta, suelte el interruptor de gatillo. La herramienta está equipada con un freno. El portabrocas se detendrá tan pronto como el interruptor de gatillo se libere completamente.

NOTA: No se recomienda el uso continuo de esta herramienta en el rango de velocidad variable. Debe evitarse porque podría dañar el interruptor.

Botón de avance/retroceso

Un botón de control de avance/retroceso (2) determina la dirección de rotación de la herramienta y también sirve como botón de bloqueo.

- Para seleccionar la rotación hacia adelante, suelte el interruptor de gatillo y presione el botón de control de avance/retroceso que se encuentra en el lado derecho de la herramienta.
- Para seleccionar retroceso, presione el botón de control de avance/retroceso en el lado izquierdo de la herramienta.
- La posición central del botón de control bloquea la herramienta en la posición de apagado. Cuando cambie la posición

del botón de control, asegúrese de que el gatillo esté suelto.


Interruptor disparador y botón de avance/reversa

El taladro se ENCIENDE y se APAGA tirando y liberando el interruptor disparador (1). Cuanto más se oprima al disparador, mayor será la velocidad del taladro.

- El botón de control de avance/reversa (2) determina la dirección de la herramienta y también sirve como botón de bloqueo.
- Para seleccionar la rotación de avance, suelte el interruptor disparador y oprima el botón de control de avance/reversa que se encuentra en el costado derecho de la herramienta.
- Para seleccionar la reversa, oprima el botón de control de avance/reversa que se encuentra en el costado izquierdo de la herramienta.
- La posición central del botón de control bloquea la herramienta en la posición de apagado. Al cambiar la posición del botón de control, asegúrese de que el disparador esté liberado.

Ajuste del control de torsión

Esta herramienta viene equipada con un anillo de ajuste de torsión (3), para seleccionar el modo de operación y para configurar la torsión al ajustar los tornillos. Los tornillos grandes y las piezas de trabajo de material duro requieren un ajuste mayor de torsión que los tornillos pequeños y las piezas de trabajo de material blando.

- Para taladrar en madera, metal y plástico, ajuste el anillo en la posición del símbolo de taladrado .
- Para atornillar, ajuste el anillo en la configuración deseada. Si aún no conoce la configuración de ajuste adecuada, proceda como sigue:
- Ajuste el anillo en la configuración de torsión más baja.
- Ajuste el primer tornillo.
- Si el portabrocas avanza antes de lograr el resultado deseado, aumente la configuración del anillo y siga ajustando el tornillo. Repita el proceso hasta que logre la configuración deseada. Utilice esta configuración para los tornillos restantes.

Engranaje de doble alcance

La función de doble alcance del taladro le permite cambiar los engranajes para mayor versatilidad.

- Para seleccionar la velocidad más baja, aumente la configuración de la torsión (posición 1), apague la herramienta y permita que se detenga. Deslice el botón cambiador de engranajes (4) en dirección contraria al portabrocas.

- Para seleccionar la velocidad más alta, disminuya la configuración de la torsión (posición 2), apague la herramienta y permita que se detenga. Deslice el botón cambiador de engranajes hacia atrás (hacia el portabrocas).

NOTA: No cambie los engranajes con la herramienta en funcionamiento. En caso de problemas al cambiar los engranajes, asegúrese de empujar el botón de engranajes de doble alcance completamente hacia adelante o completamente hacia atrás.

Portabrocas sin llave

⚠ ADVERTENCIA: *Asegúrese de que el botón de bloqueo esté activado para evitar el accionamiento del interruptor antes de instalar o extraer accesorios.*

Para insertar una broca u otro accesorio:

1. Agarre el portabrocas (5) y gírelo en sentido contrario a las agujas del reloj, visto desde el extremo del portabrocas.
2. Inserte por completo la broca u otro accesorio en el portabrocas y, para asegurar, gire el portabrocas en el sentido de las agujas del reloj, visto desde el extremo del portabrocas.

⚠ ADVERTENCIA: No intente ajustar las brocas de taladro (o cualquier otro accesorio) tomando la parte del frente del mandril y encendiendo la herramienta. Cuando cambia accesorios, el portabrocas se puede dañar y usted puede sufrir una lesión.

Taladrado

⚠ ADVERTENCIA: **El taladro puede pararse si está sobrecargado y provocar un giro repentino.** *Siempre anticipe que esto suceda. Agarre el taladro firmemente para controlar la acción de giro y evitar lesiones.*

(Cambiar el taladro a la modalidad de TALADRO)

- Use solamente brocas para taladro afiladas.
- Sostenga y asegure el trabajo adecuadamente, según se indica en las instrucciones de seguridad.
- Utilice equipos de seguridad adecuados y necesarios, como se indica en las instrucciones de seguridad.
- Asegure y mantenga el área de trabajo, según se indica en las instrucciones de seguridad.
- Haga funcionar el taladro muy lentamente, con poca presión, hasta que el orificio producido sea tal que contenga la broca y evite que se deslice del mismo.
- Aplique presión en línea recta con la

broca. Utilice presión suficiente para mantener la broca funcionando, pero no tanto como para ahogar el motor o ladear la broca.

- Sostenga el taladro firmemente con ambas manos, una mano en el mango y la otra sujetando la parte inferior alrededor del área de la batería o el mango auxiliar si se proporciona.
- **NO APRIETE EL INTERRUPTOR DE DISPARO EN LAS POSICIONES DE ENCENDIDO Y APAGADO CON EL FIN DE INTENTAR HACER FUNCIONAR LA BROCA ATORADA - ESTO PUEDE DAÑAR EL TALADRO**
- Para minimizar las posibilidades de atascamiento durante una perforación, disminuya la presión y taladre lentamente hasta la última parte del orificio.
- Mantenga el motor en funcionamiento mientras retira la broca de un orificio taladrado. Esto ayudará a reducir atascamientos.
- **Asegúrese de que el interruptor encienda y apague el taladro.**

Taladrado en madera

Los orificios en madera se pueden realizar con las mismas brocas de taladro helicoidales que se usan para los metales o con brocas de pala. Estas brocas deben estar afiladas y se deben retirar con frecuencia mientras se taladra para limpiar las virutas de las ranuras.

Taladrado en metal

Utilice un lubricante de corte cuando taladre metales. Las excepciones son el bronce y el hierro fundido que deben taladrarse en seco. Los lubricantes de corte que funcionan mejor son el aceite de corte sulfurizado o el aceite de grasa de cerdo.

Taladrado en mampostería

Utilice brocas para mampostería con puntas de carburo. Consulte la sección Taladrado. Mantenga una fuerza pareja sobre el taladro, pero que no sea tanta como para agrietar el material frágil. Un flujo de virutas uniforme y suave indica que se taladra a la velocidad adecuada.

Atornillado

⚠ ADVERTENCIA: Asegúrese siempre de que la broca esté bien puesta antes de poner en funcionamiento la herramienta. Una broca floja puede salirse de la herramienta y causar lesiones corporales.

(Cambiar el taladro a la modalidad de ATORNILLADO)

- Para colocar sujetadores, se debe empujar el botón de inversión hacia la izquierda.
- Use la inversa (botón hacia la derecha)

para retirar sujetadores.

NOTA: Al cambiar de avance a reversa, o viceversa, siempre libere el interruptor disparador primero.

Luz de trabajo LED

Cuando el taladro se activa apretando el interruptor de gatillo (1), la luz del trabajo del LED integrado (8) se encenderá automáticamente el área de trabajo y se apagará automáticamente 20 segundos después de que el interruptor de gatillo se libera. Si el interruptor de gatillo se mantiene presionado, la luz de trabajo permanecerá encendido.

NOTA: La luz de trabajo sirve para iluminar la superficie de trabajo cercana y no fue diseñada para utilizarse como linterna.

Almacenamiento de los accesorios

- En la base de la herramienta hay una ranura de almacenamiento para las brocas (9).

El sello RBRC®

El sello RBRC® (Rechargeable Battery Recycling Corporation) en las baterías (unidades de batería) de níquel cadmio, níquel e hidruro metálico o de iones de litio indica que el costo de reciclaje de estas baterías (o unidades de batería) al llegar al final de su vida de servicio ya ha sido pagado por PORTER-CABLE. En algunas áreas, es ilegal depositar baterías de níquel cadmio, níquel e hidruro metálico o de iones de litio gastadas en la basura o la corriente de residuos sólidos urbanos; el programa Call 2 Recycle® proporciona una alternativa ecológica. Call 2 Recycle, Inc., en cooperación con PORTER-CABLE y otros usuarios de baterías, han establecido programas en los Estados Unidos y Canadá para facilitar la recolección de baterías de níquel cadmio, níquel e hidruro metálico o de iones de litio gastadas. Al llevar sus baterías de níquel cadmio, níquel e hidruro metálico y de iones de litio gastadas a un centro de servicio autorizado por PORTER-CABLE o al minorista local para que sean recicladas, ayuda a proteger el medio ambiente y a conservar recursos naturales. También puede comunicarse con el centro de reciclaje de su localidad para mayor información sobre dónde llevar sus baterías gastadas. RBRC® es una marca comercial registrada de Call 2 Recycle, Inc.

Este aparato digital Clase B cumple con la norma canadiense ICES-003.

Este mecanismo cumple con la parte



15 de las normas de la Comisión Federal de Comunicaciones de Estados Unidos (FCC). La operación está sujeta a las dos condiciones siguientes:

- (1) Este mecanismo posiblemente no cause interferencia perjudicial; y
- (2) este mecanismo puede aceptar cualquier interferencia recibida, incluso interferencia que podría provocar una operación no deseada.

NOTA: Este equipo ha sido probado y se encontró que cumple con los límites para dispositivo digital Clase B, según la parte 15 de las normas de la FCC. Estos límites están diseñados para brindar protección razonable contra interferencia perjudicial en una instalación residencial. Este equipo genera, usa y puede irradiar energía en frecuencia de radio y, si no se instala y se usa de acuerdo con las instrucciones, puede provocar interferencia perjudicial en las comunicaciones de radio. Sin embargo, no hay garantía de que la interferencia no ocurra en una instalación en particular. Si este equipo provoca interferencia perjudicial en la recepción de radio o televisión, lo que se puede determinar al apagar y encender el equipo, el usuario debe tratar de corregir la interferencia mediante una o más de las siguientes medidas:

- Cambiar la orientación o la ubicación de la antena de recepción.
- Aumentar la separación entre el equipo y el receptor.
- Conectar el equipo a un tomacorriente sobre un circuito diferente de aquel al que está conectado el receptor.
- Consultar al vendedor o pedir la ayuda de un técnico en radio y televisión con experiencia.

Los cambios o las modificaciones que se le realicen a esta unidad sin aprobación expresa del tercero responsable del cumplimiento pueden anular la autorización del usuario para operar el equipo. Este aparato digital de la clase B se conforma con ICES-003 canadiense.

MANTENIMIENTO

⚠ ADVERTENCIA: *Para disminuir el riesgo de lesiones corporales graves, apague la herramienta y extraiga la batería antes de realizar cualquier ajuste o de quitar o instalar accesorios. La puesta en marcha accidental puede causar lesiones.*

LIMPIEZA

⚠ ADVERTENCIA: *Sople la suciedad y el polvo de todos los conductos*

de ventilación con aire seco y limpio, al menos una vez por semana. Para minimizar el riesgo de lesiones oculares, siempre lleve protección ocular aprobada conforme a la norma ANSI Z87.1 al realizar esta tarea.

⚠ ADVERTENCIA: *Jamás use disolventes u otros productos químicos fuertes para limpiar las piezas no metálicas de la herramienta. Estos productos químicos pueden debilitar los materiales de plástico utilizados en estas piezas. Use un paño humedecido únicamente con agua y jabón suave. Jamás permita que le entre líquido alguno a la herramienta ni sumerja ninguna de sus piezas en un líquido.*

Utilice solamente jabón suave para limpiar la herramienta. Jamás permita que le entre líquido alguno a la herramienta ni sumerja ninguna de sus piezas en un líquido.

INSTRUCCIONES DE LIMPIEZA DEL CARGADOR

⚠ ADVERTENCIA: *Riesgo de descarga eléctrica. Desconecte el cargador de la toma de corriente CA antes de limpiarlo.*

Para limpiar la suciedad y grasa del exterior del cargador puede usarse un paño o cepillo suave no metálico. No use agua ni cualquier otra solución de limpieza.

PIEZAS DE REPUESTO

Utilice sólo piezas de repuesto idénticas. Para obtener una lista de piezas o para solicitar piezas, visite nuestro sitio Web en www.portercable.com. También puede solicitar piezas al Centro de mantenimiento de fábrica PORTER-CABLE o al Centro de mantenimiento con garantía autorizado de PORTER-CABLE más cercanos. O bien, puede llamar a nuestro Centro de atención al cliente al (888) 848-5175.

MANTENIMIENTO Y REPARACIONES

El mantenimiento de este producto no puede ser realizado por el usuario. Dentro del cargador no hay piezas a las que el usuario pueda hacerles mantenimiento. El mantenimiento de la herramienta debe realizarse en un centro de mantenimiento autorizado para evitar daños a los componentes internos, sensibles a la estática. Para obtener información acerca de PORTER-CABLE, sus centros de mantenimiento o centros de mantenimiento con garantía autorizados, visite nuestro sitio web en www.portercable.com o comuníquese con nuestro Centro de atención al cliente al (888) 848-5175. Todas las reparaciones realizadas en nuestros centros de mantenimiento están completamente garantizadas en relación

Detección de problemas

Problema

Causa posible

Solución posible

- | | | |
|---|---|---|
| <ul style="list-style-type: none">• La unidad no enciende.
• El paquete de baterías no carga.
• La unidad se apaga
baterías repentinamente. | <ul style="list-style-type: none">• El paquete de baterías no está bien instalado.• El paquete de baterías no está cargado.• Componentes internos demasiado calientes.• El paquete de baterías no está insertado en el cargador.• El cargador no está enchufado.
• Temperatura ambiental.
• El paquete de baterías alcanzó el límite térmico máximo.• No tiene más carga. (Para maximizar la vida útil del paquete de baterías, este está diseñado para apagarse repentinamente cuando no tiene más carga). | <ul style="list-style-type: none">• Controle la instalación del paquete de baterías.• Verifique los requisitos de carga del paquete de baterías.• Deje que la herramienta se enfríe.
• Inserte el paquete de baterías en el cargador hasta que se encienda la luz roja (LED).• Enchufe el cargador en un tomacorriente que funcione. Consulte “Notas importantes sobre la carga” para conocer más detalles.• Traslade el cargador y la batería a una temperatura ambiental que esté por encima de 40 °F (4,5 °C) o por debajo de 105 °F (+40,5 °C).• Espere que el paquete de se enfríe.• Colóquelo en el cargador para que se cargue. |
|---|---|---|

Para conocer la ubicación del centro de mantenimiento más cercano a fin de recibir ayuda con su producto, visite nuestro sitio Web www.portercable.com o llame a la línea de ayuda PORTER-CABLE al **(888)848-5175**.

con los materiales defectuosos y la mano de obra. No podemos otorgar garantías en relación con las reparaciones ni los intentos de reparación de otras personas. También puede escribirnos solicitando información a PORTER-CABLE, 4825 Highway45 North, Jackson, Tennessee 38305; referencia: Mantenimiento de productos. Asegúrese de incluir toda la información mencionada en la placa de la herramienta (número de modelo, tipo, número de serie, etc.).

Accesorios

⚠️ ADVERTENCIA: Debido a que no se han probado con este producto otros accesorios que no sean los que ofrece PORTER-CABLE, el uso de dichos accesorios con esta herramienta podría ser peligroso. Para reducir el riesgo de lesiones, con este producto deben usarse sólo los accesorios PORTER-CABLE recomendados. Puede encontrar la línea completa de accesorios en los centros de mantenimiento de fábrica PORTER-CABLE o centros de mantenimiento con garantía autorizados de PORTER-CABLE. Visite nuestro sitio web www.portercable.com para obtener un catálogo o para conocer el nombre de su proveedor más cercano.

GARANTÍA LIMITADA DE TRES AÑOS

PORTER-CABLE reparará o reemplazará, sin cargo, cualquier defecto ocasionado por materiales defectuosos o mano de obra durante tres años a partir de la fecha de compra, en el caso de las herramientas (dos años para las baterías). Esta garantía no cubre fallas en las piezas que resulten del desgaste normal de la herramienta o de su utilización inadecuada. Para obtener información detallada sobre la cobertura de la garantía y sobre reparaciones, visite www.portercable.com o llame al (888) 848-5175. Esta garantía no se extiende a los accesorios o a los daños causados por terceros al intentar realizar reparaciones. Esta garantía le concede derechos legales específicos; pueden existir otros derechos que varían según el estado o la provincia.

Además de la garantía, las herramientas PORTER-CABLE están cubiertas por nuestro:

SERVICIO GRATUITO DE 1

AÑO: PORTER-CABLE realizará el mantenimiento y reemplazará las piezas gastadas tras el uso normal, sin costo alguno, en cualquier momento durante el primer año después de la compra.

GARANTÍA DE DEVOLUCIÓN DE

DINERO DE 90 DÍAS: Si por alguna razón no estuviera plenamente satisfecho con el rendimiento de su herramienta eléctrica PORTER-CABLE, puede devolver el producto dentro de los 90 días siguientes a la fecha de compra acompañado del recibo. De esta manera, se le reintegrará el importe total del producto sin formularle pregunta alguna.

AMÉRICA LATINA: Esta garantía no se aplica a los productos que se venden en América Latina. Para los productos

que se venden en América Latina, debe consultar la información de la garantía específica del país que viene en el empaque, llamar a la compañía local o visitar el sitio Web a fin de obtener esa información.

Para registrar la herramienta con el objeto de obtener el mantenimiento cubierto por la garantía, visite nuestro sitio Web, www.portercable.com.

REEMPLAZO DE LAS ETIQUETAS DE ADVERTENCIA

Si sus etiquetas de advertencia se vuelven ilegibles o faltan, llame al (888) 848-5175 para que se las reemplacen gratuitamente.

PORTER CABLE

4825 Highway 45 North
Jackson, Tennessee 38305
(888) 848-5175
www.portercable.com

