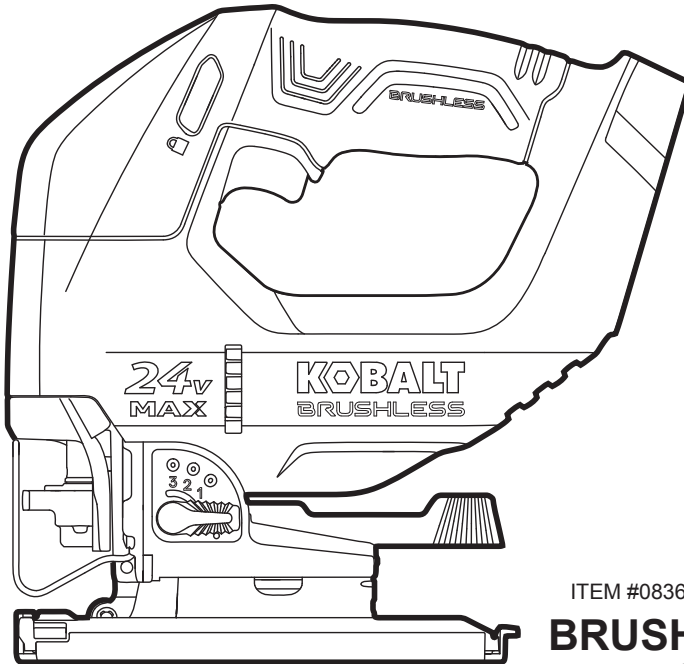


KOBALT™



ITEM #0836362/0854725

BRUSHLESS JIG SAW

MODEL #KJS 324B-03

Español p. 15

ATTACH YOUR RECEIPT HERE

Serial Number _____ Purchase Date _____



Questions, problems, missing parts? Before returning to your retailer, call our customer service department at 1-888-3KOBALT (1-888-356-2258), 8 a.m. - 8 p.m., EST, Monday - Friday.

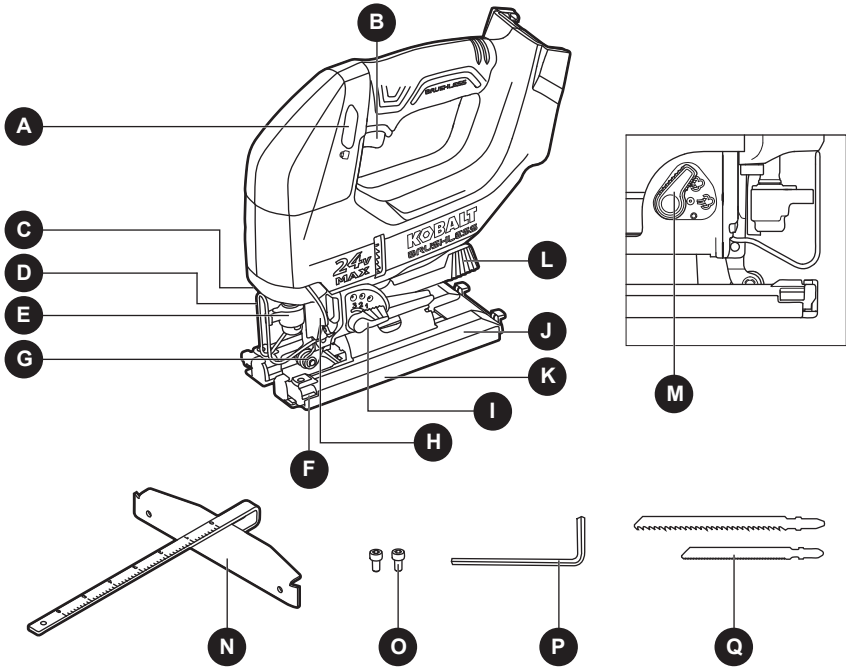
TABLE OF CONTENTS

Product Specifications.....	2
Package Contents.....	3
Safety Information.....	4
Preparation.....	7
Operating Instructions.....	8
Care and Maintenance.....	14
Troubleshooting.....	14
Warranty.....	14

PRODUCT SPECIFICATIONS

COMPONENT	SPECIFICATION
Rated voltage	24 V d.c.
No-load speed	0-3,000 SPM
Length of stroke	1 in. (25.4 mm)
Blade type	T-shank
Cutting angle	0°; 15°; 30°; 45°

PACKAGE CONTENTS



PART	DESCRIPTION
A	Switch-lock button
B	Variable-speed trigger switch
C	LED work light (located in housing)
D	Blade guard
E	Blade clamp
F	Edge-guide slot
G	Blade roller guide
H	Blade-release lever
I	Orbital-function lever

PART	DESCRIPTION
J	Base plate
K	Base-plate protecting cover
L	Bevel lever
M	Dust-blowing lever
N	Edge guide
O	Locking screw (2)
P	Hexagon wrench
Q	Blade (2)

! WARNING

- Remove the tool from the package and examine it carefully. Do not discard the carton or any packaging material until all parts have been examined.
- If any part of the tool is missing or damaged, do not attach the battery pack or use the tool until the part has been repaired or replaced. Failure to heed this warning could result in serious injury.

SAFETY INFORMATION

Please read and understand this entire manual before attempting to assemble or operate this product. If you have any questions regarding the product, please call customer service at 1-888-3KOBALT, 8 a.m. - 8 p.m., EST, Monday - Friday.

WARNING

- The operation of any power tool can result in foreign objects being thrown into your eyes, which can result in severe eye damage. Before beginning power-tool operation, always wear safety goggles or safety glasses with side shields and a full-face shield, when needed. It is recommended to use a wide vision safety mask over eyeglasses or standard safety glasses with shields. Always use eye protection marked to comply with ANSI Z87.1.
- Some dust created by power sanding, sawing, grinding, drilling, and other construction activities contains chemicals known to the state of California to cause cancer, birth defects, or other reproductive harm. Some examples of these chemicals are:
 - Lead from lead-based paints
 - Crystalline silica from bricks, cement, and other masonry products
 - Arsenic and chromium from chemically-treated lumber
- Your risk from these exposures varies, depending upon how often you do this type of work. To reduce your exposure to these chemicals:
 - Work in a well-ventilated area.
 - Work with approved safety equipment, such as dust masks that are specially designed to filter out microscopic particles.
 - Avoid prolonged contact with dust from power sanding, sawing, grinding, drilling, and other construction activities. Wear protective clothing and wash exposed areas with soap and water. Allowing dust to get into your mouth or eyes or to lie on the skin may promote absorption of harmful chemicals.

Know the Tool



To operate this tool, carefully read this manual and all labels affixed to the tool before using it. Keep this manual available for future reference.

Important

This tool should be serviced only by a qualified service technician.

Read All Instructions Thoroughly

Some of the following symbols may be used on this tool. Please study them and their meaning. Proper interpretation of these symbols will allow you to operate the tool better and more safely.

SYMBOL	DEFINITION	SYMBOL	DEFINITION
V	Volts	n_0	No-load Speed
A	Amps	/min	Revolutions or Strokes per Minute
Hz	Hertz		Direct Current
W	Watts		Alternating Current



SAFETY INFORMATION

General Power Tool Safety Warnings



WARNING

- **Read all safety warnings and all instructions.** Failure to follow the warnings and instructions may result in electric shock, fire and/or serious injury.

Save all warnings and instructions for future reference

The term “power tool” in the warnings refers to your mains-operated (corded) power tool or battery-operated (cordless) power tool.

Work Area Safety

- **Keep work area clean and well lit.** Cluttered or dark areas invite accidents.
- **Do not operate power tools in explosive atmospheres, such as in the presence of flammable liquids, gases or dust.** Power tools create sparks, which may ignite the dust or fumes.
- **Keep children and bystanders away while operating a power tool.** Distractions can cause you to lose control.

Electrical Safety

- **Power tool plugs must match the outlet. Never modify the plug in any way. Do not use any adaptor plugs with earthed (grounded) power tools.** Unmodified plugs and matching outlets will reduce the risk of electric shock.
- **Avoid body contact with earthed or grounded surfaces such as pipes, radiators, ranges and refrigerators.** There is an increased risk of electric shock if your body is earthed or grounded.
- **Do not expose power tools to rain or wet conditions.** Water entering a power tool will increase the risk of electric shock.
- **Do not abuse the cord. Never use the cord for carrying, pulling or unplugging the power tool. Keep cord away from heat, oil, sharp edges or moving parts.** Damaged or entangled cords increase the risk of electric shock.
- **When operating a power tool outdoors, use an extension cord suitable for outdoor use.** Use of a cord suitable for outdoor use reduces the risk of electric shock.
- **If operating a power tool in a damp location is unavoidable, use a ground-fault circuit interrupter (GFCI) protected supply.** Use of a GFCI reduces the risk of electric shock.

Personal Safety

- **Stay alert, watch what you are doing and use common sense when operating a power tool. Do not use a power tool while you are tired or under the influence of drugs, alcohol or medication.** A moment of inattention while operating power tools may result in serious personal injury.
- **Use personal protective equipment. Always wear eye protection.** Protective equipment such as dust mask, non-skid safety shoes, hard hat, or hearing protection, used for appropriate conditions, will reduce personal injuries.
- **Prevent unintentional starting. Ensure the switch is in the off-position before connecting to power source and/or battery pack, picking up or carrying the tool.** Carrying power tools with your finger on the switch or energizing power tools that have the switch on invites accidents.

SAFETY INFORMATION

- **Remove any adjusting key or wrench before turning the power tool on.** A wrench or a key left attached to a rotating part of the power tool may result in personal injury.
- **Do not overreach. Keep proper footing and balance at all times.** This enables better control of the power tool in unexpected situations.
- **Dress properly. Do not wear loose clothing or jewelry. Keep your hair, clothing and gloves away from moving parts.** Loose clothes, jewelry or long hair can be caught in moving parts.
- **If devices are provided for the connection of dust extraction and collection facilities, ensure that these are connected and properly used.** Use of these devices can reduce dust-related hazards.

Power Tool Use and Care

- **Do not force the power tool. Use the correct power tool for your application.** The correct power tool will do the job better and safer at the rate for which it was designed.
- **Do not use the power tool if the switch does not turn it on and off.** Any power tool that cannot be controlled with the switch is dangerous and must be repaired.
- **Disconnect the plug from the power source and/or the battery pack from the power tool before making any adjustments, changing accessories, or storing power tools.** Such preventive safety measures reduce the risk of starting the power tool accidentally.
- **Store idle power tools out of the reach of children and do not allow persons unfamiliar with the power tool or these instructions to operate the power tool.** Power tools are dangerous in the hands of untrained users.
- **Maintain power tools. Check for misalignment or binding of moving parts, breakage of parts and any other condition that may affect the power tool's operation. If damaged, have the power tool repaired before use.** Many accidents are caused by poorly maintained power tools.
- **Keep cutting tools sharp and clean.** Properly maintained cutting tools with sharp cutting edges are less likely to bind and are easier to control.
- **Use the power tool, accessories, tool bits, etc., in accordance with these instructions, taking into account the working conditions and the work to be performed.** Use of the power tool for operations different from those intended could result in a hazardous situation.

Battery Tool Use and Care

- **Recharge only with the charger specified by the manufacturer.** A charger that is suitable for one type of battery pack may create a risk of fire when used with another battery pack.
- **Use power tools only with specifically designated battery packs.** Use of any other battery packs may create a risk of injury and fire.
- **When battery pack is not in use, keep it away from other metal objects like paper clips, coins, keys, nails, screws or other small metal objects that can make a connection from one terminal to another.** Shorting the battery terminals together may cause burns or a fire.
- **Under abusive conditions, liquid may be ejected from the battery; avoid contact. If contact accidentally occurs, flush with water. If liquid contacts eyes, additionally seek medical help.** Liquid ejected from the battery may cause irritation or burns.

Service

- **Have your power tool serviced by a qualified repair person using only identical replacement parts.** This will ensure that the safety of the power tool is maintained.



SAFETY INFORMATION

Specific Safety Warnings for Cordless Jig Saw

- **Hold power tool by insulated gripping surfaces when performing an operation where the cutting accessory may contact hidden wiring.** Cutting accessory contacting a “live” wire may make exposed metal parts of the power tool “live” and could give the operator an electric shock.
- **Use clamps or another practical way to secure and support the work piece to a stable platform.** Holding the work by hand or against your body leaves it unstable and may lead to loss of control.
- Always wait until the tool has come to a complete stop before placing it down. The tool insert can jam and lead to loss of control over the power tool.
- When working with the power tool, always hold it firmly with both hands and provide a secure stance. The power tool is guided more securely with both hands.
- Always remove the battery pack before changing the saw blade and/or adjusting the saw base.
- The saw blade must be securely locked in its holder. Check that it has been securely seated before use.
- Make certain that all adjusting levers and the blade holder are tight before making a cut. Loose adjusting levers and holders can cause the tool or blade to slip; loss of control may result.
- Never touch the saw blade after immediate use. It may be hot after prolonged use.
- Always wear safety goggles or eye protection when using this tool. Use a dust mask or respirator or connect the tool to an external dust vacuum if cutting generates a great amount of dust.
- Keep hands away from cutting area. Do not reach under the material being cut. The proximity of the blade to your hand is hidden from your sight.
- Do not use dull or damaged saw blades and accessories.

PREPARATION

Know Your Jig Saw

Before attempting to use the jig saw, familiarize yourself with all of its operating features and safety requirements.




WARNING

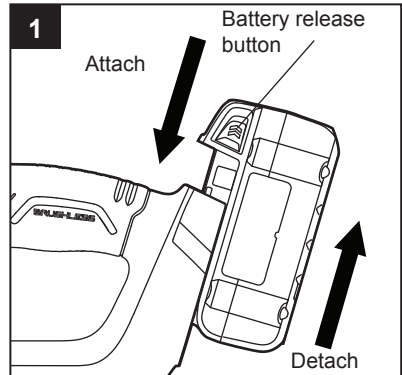
- Do not allow familiarity with the jig saw to cause carelessness. Remember that one careless moment is enough to cause severe injury. Before attempting to use any tool, be sure to become familiar with all of the operating features and safety instructions.
- Do not attempt to modify this tool or create accessories not recommended for use with this tool. Any such alteration or modification is misuse and could result in a hazardous condition leading to possible serious personal injury.

OPERATING INSTRUCTIONS


1. To Attach Battery Pack

- Press the switch-lock button (A) marked  to set it to the lock position.
- Align the raised portion on the battery pack (not included) with the grooves on the bottom of the tool, then slide the battery pack onto the saw as shown.
- Make sure that the latches on the battery pack snap into place and the battery pack is secured to the tool before beginning operation.



NOTICE: When placing the battery pack on the tool, be sure that the raised rib on battery pack aligns with the groove on the tool and the latches snap into place properly. Improper attachment of the battery pack can cause damage to internal components.

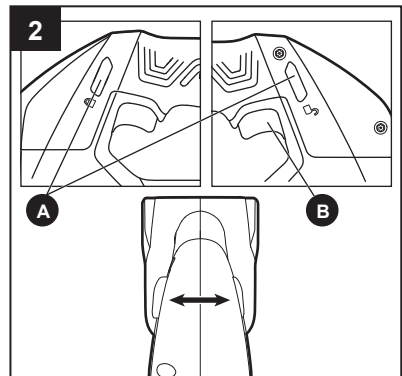


To Detach Battery Pack


- Press the switch-lock button (A) marked  to set it to the lock position.
- Press the battery-release button to release the battery pack.
- Pull backward on the battery pack to remove it from the tool.

2. Variable-speed Trigger Switch and Switch-Lock Button

- To turn the saw ON, press the switch-lock button (A) marked  to unlock the switch, then squeeze the variable-speed trigger switch (B).
- To turn the saw OFF, release the trigger switch. The switch can be locked in OFF by pressing the switch-lock button marked  to reduce the chance of unintentional starting.
- To vary the speed, simply increase or decrease the pressure on the variable-speed trigger switch. The more tightly the variable speed trigger switch is squeezed, the higher the speed will be.



WARNING

- Battery tools are always in operating condition. Therefore, always press the switch-lock button marked  to lock the switch or remove the battery when the saw is not in use or when carrying the saw at your side.

OPERATING INSTRUCTIONS

3. LED work light

The LED work light (C) is located on the front of the saw in the tool housing. It will illuminate when the variable-speed trigger switch (B) is depressed. This provides additional light on the surface of the work piece for operation in lower-light areas.

The LED work light will turn off approximately 10 seconds after the variable-speed trigger switch is released.

4. Orbital-Function Lever

This jig saw has the option of orbital action when cutting.

Adjust the orbital-function lever (I) to suit the material and obtain the best cutting performance.

Setting 0: no orbital action for cutting thin, soft steel, plastic and for more precise wood cutting.

Setting 1: minimal orbital action for cutting hard wood.

Setting 2: medium orbital action for straight or curving wood cutting.

Setting 3: maximum orbital action for fast wood cutting.



Always make test cuts in scrap material first to determine the best setting.

! WARNING

- To reduce the risk of injury, always allow the jig saw to come to a complete stop before changing the orbital function setting.

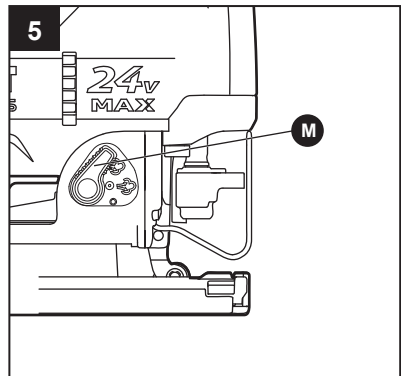
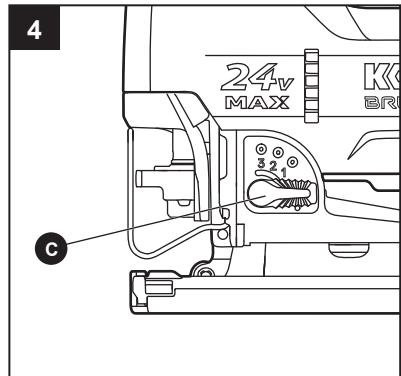
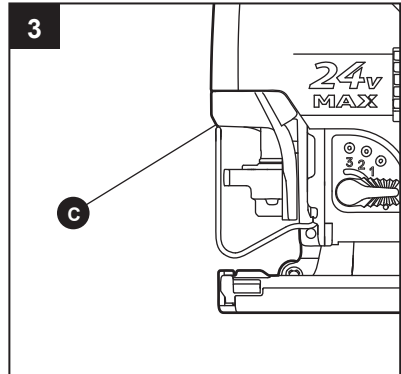
5. Dust-Blowing Lever

This tool has a dust-blowing lever (M).

- a. To blow sawdust, move the lever to the blowing setting .
- b. To turn off the blowing function, move the lever to the no-blowing setting .

! WARNING

- To reduce the risk of injury, always allow the jig saw to come to a complete stop before changing the dust blowing setting.

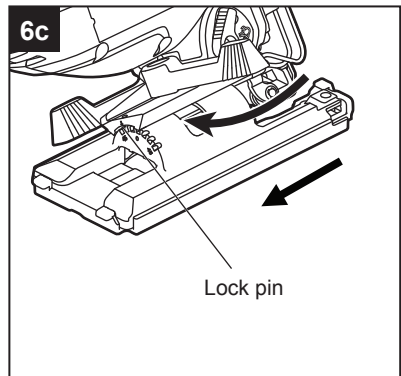
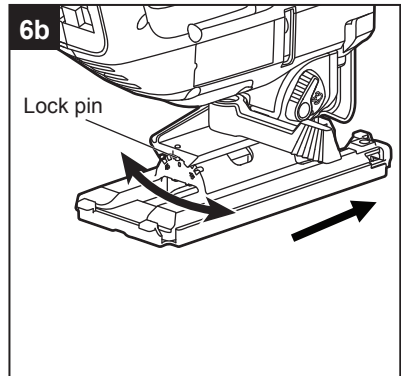
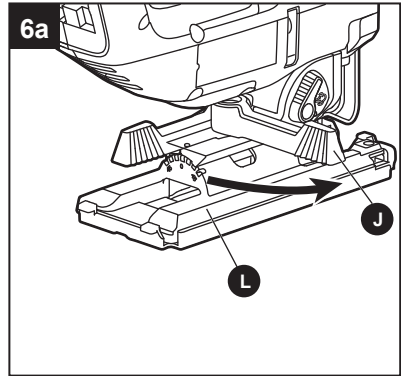


OPERATING INSTRUCTIONS

6. Adjusting the Base-Plate Bevel Angle

! WARNING

- Battery tools are always in operating condition. To reduce the risk of injury, always remove the battery pack before making any adjustments or changing accessories.
- a. Pivot the bevel lever (L) to unlock the base plate (J).
 - b. Move the base plate forward so that the lock pin does not contact the base plate. The base plate now can be beveled to the left or to the right. Detents are positioned at 0°, 15°, 30° and 45°, according to the scale marked on the base plate.
 - c. When the desired bevel angle is achieved, move the base plate backward; make sure that the lock pin is located in the slot of the scale.
 - d. Move the bevel lever back to lock the base plate.



OPERATING INSTRUCTIONS

7. Installing and Removing the Blade

⚠ WARNING

- Battery tools are always in operating condition. To reduce the risk of injury, always remove the battery pack before making any adjustments or changing accessories.

To install the blade

- a. Turn the tool upside down.
- b. Insert the saw blade (Q) into the blade clamp (E) as far as possible, with the back of the blade resting in the groove in the blade roller guide. The blade clamp will automatically secure the blade. Make sure that the blade shank is completely inserted into the blade clamp.

⚠ WARNING

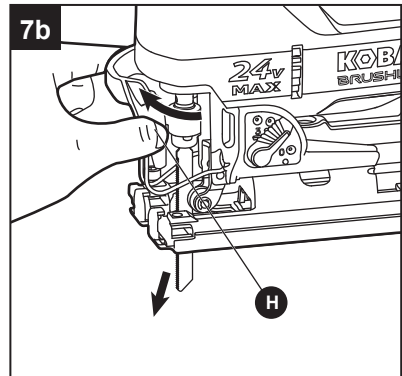
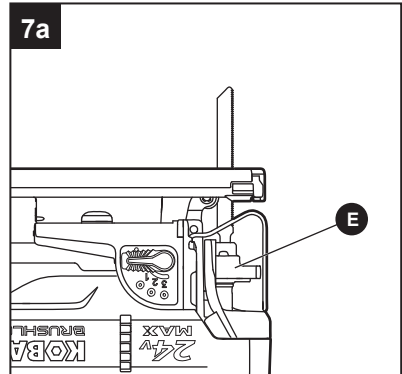
- Use only T-shank type jig saw blades. Other blade types will not be secured in the blade clamp and will cause personal injury during operation.

To remove the blade

- a. Pivot the blade-release lever (H) to open the blade clamp.
- b. The blade will eject from blade clamp.

⚠ WARNING

- Do not aim the blade at a person or body when removing the blade as it is ejected from the blade clamp.

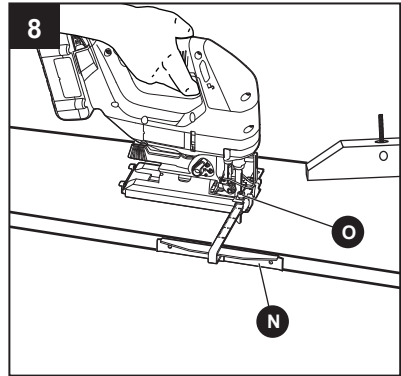


OPERATING INSTRUCTIONS

8. Installing and Using the Edge Guide

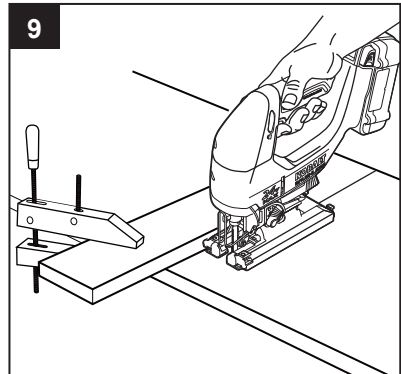
! WARNING

- Battery tools are always in operating condition. To reduce the risk of injury, always remove the battery pack before making any adjustments or changing accessories.
- a. Insert the bar of the edge guide (N) through the edge-guide slots (F) in the base plate of the jigsaw with the edge guide facing down. The edge guide can be inserted from either side of the base.
 - b. Adjust the edge guide to the desired distance and tighten the locking screws (O) with the hexagon wrench (P) to secure the edge guide in place.
 - c. Clamp and support the work piece securely before making your cut.
 - d. Place the edge guide firmly against the edge of the work piece. Doing this will give you a true cut without pinching the blade.
 - e. Make sure that the guiding edge of the work piece is straight so you can achieve a straight cut.
 - f. Always first allow the blade reach full speed, then carefully guide the saw into the work piece.



9. General Cutting with the Jig Saw

- a. Firmly clamp the work piece in place.
- b. Use the appropriate type and size of blade (Q) for the work piece.
- c. Check the clearance behind the work piece and make sure that the blade will not impact another surface.
- d. Clearly mark the line of the cut.
- e. Adjust the cutting angle and any other function setting.
- f. Hold the saw firmly. Always make the cut with the base plate protecting cover (K) in place, which will protect the work piece from damaged.
- g. Rest the base plate (J) on the work piece so that the blade is not in contact with the work piece.
- h. Squeeze the variable-speed trigger switch (B) to start the jig saw and bring it to the maximum desired cutting speed before applying the blade to the work piece.
- i. Slowly move the jig saw into the work piece.
- j. Do not force the tool. Keep the base plate flat against the work piece while cutting. Use only enough steady pressure on the blade to keep the saw cutting.
- k. Reduce pressure as the blade comes to the end of the cut.
- l. Allow the saw to come to a complete stop before removing the blade from the work piece.
- m. If sawing fiberglass, plaster, wallboard, or spackling compound, clean the saw motor vents frequently with a vacuum or compressed air.



OPERATING INSTRUCTIONS

WARNING

- Always wear safety goggles when cleaning tools using compressed air. These materials are highly abrasive and may accelerate the wear on motor bearings and brushes.

Straight Cutting

A straight cut can be made by clamping a piece of wood or a straight edge to the work piece and guiding the edge of the saw against it. The straight cut can be also made by using the edge guide supplied with this tool.

Make the cut from one direction only. Never cut halfway and then complete the cut from the opposite end.

Metal Cutting

When cutting metal, always clamp down the material. Thin metal should be sandwiched between two pieces of wood or tightly clamped onto a single piece of wood (with the wood on top of the metal). Be careful to move the saw slowly. Use lower speeds. Do not twist, bend, or force the blade.

NOTICE: It is not recommended that the orbital function be used when cutting metal.

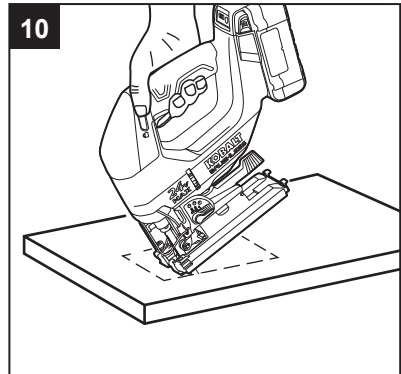
For easier cutting, lubricate the blade with a stick of cutting wax, if available, or use cutting oil when cutting steel. Never use gasoline!

10. Plunge Cutting

Your jig saw is ideal for plunge cutting directly into surfaces that cannot be cut from an edge.

WARNING

- Do not plunge cut into metal surfaces.
 - Always adjust the base-plate bevel setting to 0° before making a plunge cut.
- a. Firmly clamp the work piece in place.
 - b. Draw cutting lines for the opening.
 - c. Hold the saw firmly and tilt it forward so that the front of the base plate (J) rests on the work piece.
 - d. Make sure that the blade (Q) is well clear of the work piece.
 - e. With the front of the base plate held firmly against the work piece to prevent side wobble, squeeze the variable-speed trigger switch (B) to start the saw and select the speed, then gradually lower the blade into the work piece.
 - f. When the blade touches the work piece, slowly pivot the saw like a hinge until the blade cuts through the work piece and the shoe plate rests flat on the work piece.
 - g. Begin sawing in the usual manner along the cut line.



NOTICE: Always apply a steady, firm, downward pressure on the front of the saw as you cut. This will keep the saw blade from jumping out of the work piece.

CARE AND MAINTENANCE



All maintenance should only be carried out by a qualified service technician.

Cleaning

Before cleaning or performing any maintenance, remove the battery pack from the jig saw. For safe and proper operation, always keep the tool and its ventilation slots clean.

Always use only a soft, dry cloth to clean your jig saw; never use detergent or alcohol.

TROUBLESHOOTING



WARNING

- Turn the switch to the "OFF" position, press the trigger-lock button to lock it and remove the battery pack from the jig saw before performing troubleshooting procedures.

PROBLEM	POSSIBLE CAUSE	CORRECTIVE ACTION
The jig saw does not work.	Low battery capacity.	Charge the battery.
Blade binds, jams, or burns the wood.	1. Improper operation.	1. See "OPERATING INSTRUCTIONS" section.
	2. Dull blade.	2. Replace blade.
	3. Improper blade.	3. Replace blade.
Blade cannot be removed.	Saw dust in the blade clamp slot.	Clean the clamp slot with brush.
Saw vibrates or shakes.	1. Damaged blade.	1. Replace blade.
	2. Loose blade.	2. Remove the blade and reinstall it.

WARRANTY

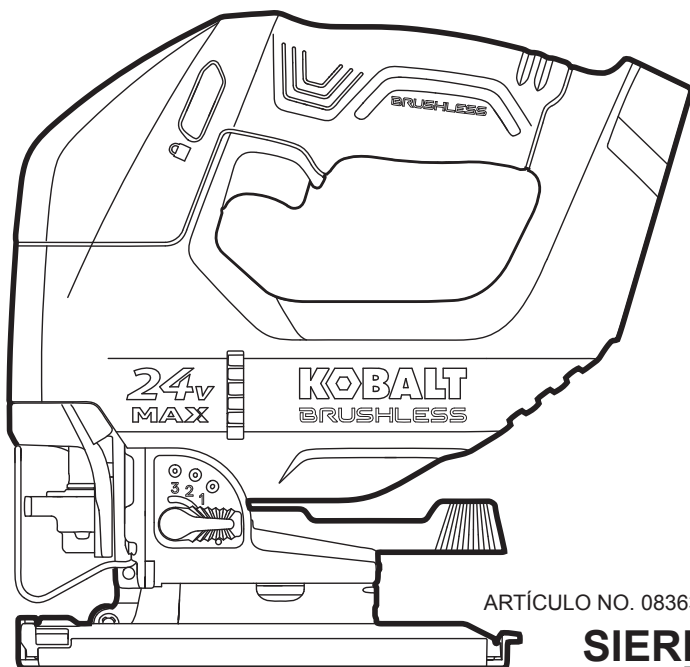
5 Year Limited Tool Guarantee

For 5 years from the date of purchase, the jig saw is warranted for the original purchaser to be free from defects in material and workmanship. This guarantee does not cover damage due to abuse, normal wear, improper maintenance, neglect, unauthorized repair/alteration, or expendable parts and accessories expected to become unusable after a reasonable period of use.

If you think your product meets the above guarantee criteria, please return it to the place of purchase with valid proof of purchase and the defective product will be repaired or replaced at no charge. This guarantee gives you specific legal rights, and you may also have other rights that vary from state to state.

Printed in China

KOBALT™



ARTÍCULO NO. 0836362/0854725

SIERRA DE VAIVÉN SIN CEPILLO

MODELO #KJS 324B-03

ADJUNTE SU RECIBO AQUÍ

Número de serie _____ Fecha de compra _____



¿Preguntas, problemas, piezas faltantes? Antes de volver a la tienda, llame a nuestro departamento de servicio al cliente al 1-888-3KOBALT (1-888-356-2258), de lunes a viernes de 8 a. m. a 8 p. m., hora estándar del Este.

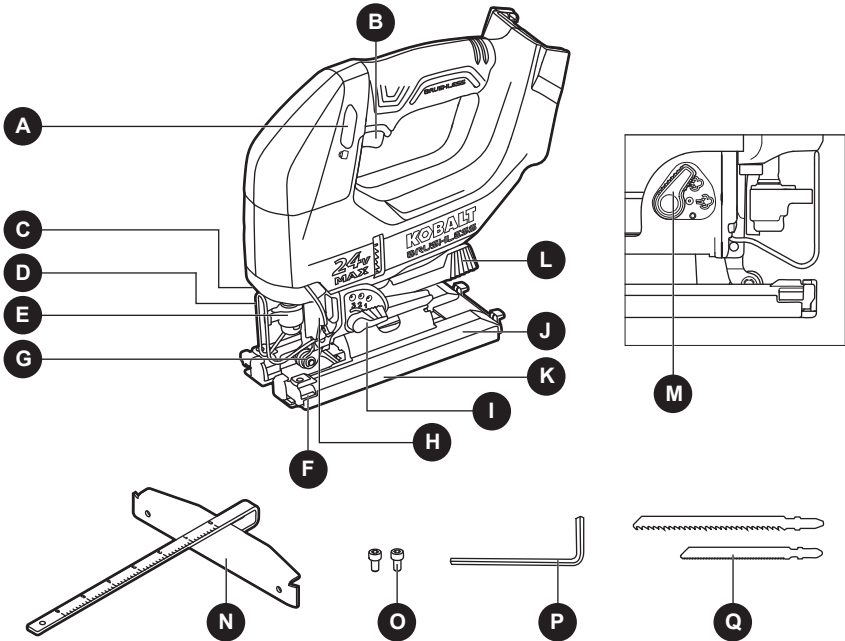
ÍNDICE

Especificaciones del producto.....	16
Contenido del paquete.....	17
Información de seguridad.....	18
Preparación.....	22
Instrucciones de funcionamiento.....	23
Cuidado y mantenimiento.....	29
Solución de problemas.....	30
Garantía.....	30

ESPECIFICACIONES DEL PRODUCTO

COMPONENTE	ESPECIFICACIONES
Rango de voltaje	24 V CC
Velocidad sin carga	0-3,000 SPM
Longitud del recorrido	25,4 mm (1 pulg.)
Tipo de cuchilla	Espiga en T
Ángulo de corte	0°; 15°; 30°; 45°

CONTENIDO DEL PAQUETE



PIEZA	DESCRIPCIÓN
A	Botón de bloqueo del interruptor
B	Interruptor de gatillo de velocidad variable
C	Luz de trabajo LED (ubicada en la carcasa)
D	Protección de la hoja
E	Abrazadera de la hoja
F	Ranura de la guía de corte
G	Guía de rodillo de la hoja
H	Palanca de liberación de la hoja
I	Palanca de función orbital

PIEZA	DESCRIPCIÓN
J	Placa de base
K	Cubierta protectora de placa de la base
L	Palanca del bisel
M	Palanca de soplado de polvo
N	Guía de borde
O	Tornillo de fijación (2)
P	Llave inglesa hexagonal
Q	Hoja (2)

⚠ ADVERTENCIA

- Retire la herramienta del paquete y examínela con cuidado. No deseche la caja ni ningún material de embalaje hasta después de examinar todas las piezas.
- Si falta alguna pieza de la herramienta o si alguna pieza está dañada, no conecte el enchufe al suministro eléctrico ni use la herramienta hasta reparar o reemplazar la pieza. No seguir esta advertencia podría provocar lesiones graves.

INFORMACIÓN DE SEGURIDAD

Lea y comprenda completamente este manual antes de intentar ensamblar u operar este producto. Si tiene preguntas relacionadas con el producto, llame al departamento de servicio al cliente al 1-888-3KOBALT, de lunes a viernes de 8 a. m. a 8 p. m., hora estándar del Este.

ADVERTENCIA

- La operación de cualquier herramienta eléctrica puede arrojar objetos extraños a sus ojos y, de esa manera, causar graves daños oculares. Use siempre gafas de seguridad con protecciones laterales y, cuando sea necesario, use una mascarilla que cubra todo el rostro antes de comenzar a operar una herramienta eléctrica. Recomendamos usar una máscara de seguridad de visión amplia sobre los lentes o las gafas de seguridad estándar con protección. Siempre use lentes de protección que cumplan con la norma ANSI Z87.1.
- Parte del polvo causado por el lijado eléctrico, el serruchado, la trituración, la perforación y otras actividades de construcción contiene sustancias químicas que, según el estado de California, causan cáncer, defectos congénitos u otros daños reproductivos. Algunos ejemplos de estos químicos son los siguientes:
 - Plomo de pinturas a base de plomo
 - Sílice cristalina de ladrillos, cemento y otros productos de mampostería
 - Arsénico y cromo de madera tratada con productos químicos
- El riesgo que corre debido a la exposición a estos químicos varía según la frecuencia con que realiza este tipo de trabajo. Para disminuir su exposición a estas sustancias químicas:
 - Trabaje en un área bien ventilada.
 - Trabaje con equipo de seguridad aprobado, como mascarillas antipolvo especialmente diseñadas para filtrar partículas microscópicas.
 - Evite el contacto prolongado con el polvo producido por el uso de lijas, sierras, trituradoras y taladros eléctricos, y otras actividades de construcción. Use ropa protectora y lave todas las áreas expuestas del cuerpo con agua y jabón. Si permite que el polvo llegue a su boca o a sus ojos, o que repose sobre la piel, esto puede fomentar la absorción de químicos dañinos.

Conozca la herramienta

Para operar esta herramienta, lea cuidadosamente este manual y las etiquetas fijadas a la herramienta antes de usarla. Guarde este manual para referencia futura.



Importante

Solo un técnico calificado puede reparar esta herramienta.

Lea por completo todas las instrucciones

Algunos de los siguientes símbolos pueden aparecer en esta herramienta. Obsérvelos y aprenda su significado. La interpretación correcta de estos símbolos le permitirá utilizar la herramienta de manera eficaz y segura.

INFORMACIÓN DE SEGURIDAD

SÍMBOLO	DEFINICIÓN	SÍMBOLO	DEFINICIÓN
V	Voltios	n_0	Velocidad sin carga
A	Amperios	/min	Revoluciones o carreras por minuto
Hz	Hercios		Corriente continua
W	Vatios		Corriente alterna

Advertencias de seguridad generales para el manejo de herramientas eléctricas

ADVERTENCIA

- **Lea todas las advertencias de seguridad y todas las instrucciones.** El incumplimiento de las advertencias y las instrucciones podría provocar descargas eléctricas, incendios o lesiones graves.

Guarde todas las advertencias e instrucciones para referencia futura

El término "herramienta eléctrica" que aparece en las advertencias se refiere a la herramienta eléctrica que se conecta a la línea principal (con cable) o a la herramienta eléctrica que funciona con batería (inalámbrica).

Seguridad en el área de trabajo

- **Mantenga el área de trabajo limpia y bien iluminada.** Las áreas desordenadas u oscuras aumentan las posibilidades de accidentes.
- **No utilice herramientas eléctricas en atmósferas en las que exista riesgo de explosión, como por ejemplo en presencia de líquidos inflamables, gases o polvo.** Las herramientas eléctricas producen chispas que podrían encender el polvo o humo.
- **Mantenga a los niños y otras personas alejadas durante la operación de una herramienta eléctrica.** Las distracciones pueden provocar que pierda el control.

Seguridad eléctrica

- **Los enchufes de las herramientas eléctricas deben coincidir con el tomacorriente. Nunca modifique el enchufe de ninguna manera. No utilice ningún enchufe adaptador con herramientas eléctricas con puesta a tierra.** Los enchufes sin modificaciones y que coinciden con los tomacorrientes reducen el riesgo de descarga eléctrica.
- **Evite el contacto del cuerpo con superficies conectadas a tierra, como tuberías, radiadores, extractores o refrigeradores.** Existe un riesgo adicional de descarga eléctrica si su cuerpo tiene conexión a tierra.
- **No exponga las herramientas eléctricas a la lluvia o a condiciones de humedad.** Si ingresa agua en una herramienta eléctrica, aumentará el riesgo de descarga eléctrica.
- **No maltrate el cable. Nunca use el cable para transportar, jalar ni desenchufar la herramienta eléctrica. Mantenga el cable alejado del calor, el aceite, los bordes filosos o las piezas en movimiento.** Los cables dañados o enredados aumentan el riesgo de descarga eléctrica.

INFORMACIÓN DE SEGURIDAD

- **Cuando utilice una herramienta eléctrica en exteriores, use una extensión eléctrica adecuada para uso en exteriores.** El uso de un cable adecuado para uso en exteriores reduce el riesgo de descarga eléctrica.
- **Si debe utilizar una herramienta eléctrica en un área húmeda, use un suministro protegido con un interruptor de circuito de falla a tierra (GFCI, por sus siglas en inglés).** El uso de un GFCI disminuye el riesgo de descarga eléctrica.

Seguridad personal

- **Manténgase alerta, preste atención a lo que hace y use el sentido común cuando manipule una herramienta eléctrica. No utilice una herramienta eléctrica si está cansado o bajo los efectos de drogas, alcohol o medicamentos.** Un momento de desatención mientras opera herramientas eléctricas puede provocar lesiones personales graves.
- **Use un equipo de protección personal. Use siempre lentes de protección.** Los equipos protectores, como mascarillas antipolvo, zapatos de seguridad antideslizantes, cascos o protectores para los oídos, usados en las condiciones apropiadas, permitirán reducir las lesiones personales.
- **Evite un arranque accidental. Asegúrese de que el interruptor esté en la posición de apagado antes de conectar la herramienta al suministro eléctrico o la batería, o antes de levantarla o transportarla.** Transportar herramientas eléctricas con el dedo en el interruptor o enchufar herramientas eléctricas que tienen el interruptor encendido aumenta las posibilidades de accidentes.
- **Retire todas las llaves de ajuste o llaves inglesas antes de encender la herramienta eléctrica.** Si se deja una llave inglesa o una llave conectada a una pieza giratoria de la herramienta eléctrica, se pueden producir lesiones personales.
- **No se incline ni extienda demasiado. Mantenga una postura y un equilibrio adecuados en todo momento.** Esto permite un mejor control de la herramienta eléctrica en situaciones inesperadas.
- **Use ropa adecuada. No use ropa holgada ni joyas. Mantenga el cabello, la ropa y los guantes lejos de las piezas en movimiento.** La ropa suelta, las joyas o el cabello largo pueden quedar atrapados en las piezas en movimiento.
- **Si se proporcionan dispositivos para la conexión de equipos de extracción y recolección de polvo, asegúrese de que se conecten y se usen debidamente.** El uso de estos dispositivos puede disminuir los peligros relacionados con el polvo.

Uso y cuidado de las herramientas eléctricas

- **No fuerce la herramienta eléctrica. Utilice la herramienta eléctrica adecuada para su tarea.** La herramienta eléctrica adecuada realizará un trabajo más seguro y de mejor calidad al ritmo para el que fue diseñada.
- **No utilice la herramienta eléctrica si no se enciende y apaga por medio del interruptor.** Cualquier herramienta eléctrica que no pueda controlarse con el interruptor es peligrosa y debe repararse.
- **Desconecte el enchufe de la fuente de alimentación o la batería de la herramienta eléctrica antes de realizar cualquier ajuste, cambiar accesorios o almacenar herramientas eléctricas.** Este tipo de medidas de seguridad preventivas reduce el riesgo de arranques accidentales de la herramienta eléctrica.
- **Almacene fuera del alcance de los niños las herramientas eléctricas que no estén en uso y no permita que personas no familiarizadas con la herramienta o estas instrucciones la operen.** Las herramientas eléctricas son peligrosas en manos de usuarios sin capacitación.

- **Realice mantenimiento a las herramientas eléctricas. Revise si hay desalineación o trabamiento de piezas móviles o si están rotas, así como cualquier otra condición que pueda afectar la operación de la herramienta eléctrica. Si se daña la herramienta eléctrica, hágala reparar antes de usarla.** Muchos accidentes son producto de un mantenimiento deficiente de las herramientas eléctricas.
- **Mantenga las herramientas de corte afiladas y limpias.** Las herramientas de corte que se mantienen adecuadamente, con sus bordes de corte afilados, tienen un riesgo menor de trabarse y son más fáciles de controlar.
- **Use la herramienta eléctrica, los accesorios, las brocas, etc., de acuerdo con estas instrucciones; para ello, tenga en cuenta las condiciones de trabajo y el trabajo que desea realizar.** El uso de la herramienta eléctrica en operaciones para las que no se la diseñó podría generar una situación de peligro.

Uso y cuidado de herramientas con batería

- **Recargue solo con el cargador especificado por el fabricante.** Un cargador adecuado para un tipo de paquete de baterías puede crear un riesgo de incendio cuando se usa con otro paquete de baterías.
- **Use herramientas eléctricas solo con paquetes de baterías designados específicamente.** El uso de cualquier otro paquete de baterías puede crear un riesgo de lesión e incendio.
- **Cuando el paquete de baterías no está en uso, aléjelo de objetos metálicos, como sujetapapeles, monedas, llaves, clavos, tornillos u otros objetos metálicos pequeños que pudieran crear una conexión entre los terminales.** Es posible que un cortocircuito entre los terminales produzca quemaduras o un incendio.
- **En condiciones de maltrato, es posible que salga líquido de la batería. Evite el contacto. Si se produce un contacto accidental, enjuague con agua. Si el líquido entra en contacto con los ojos, también solicite atención médica.** El líquido que sale de la batería puede provocar irritación o quemaduras.

Reparación

- **Haga reparar su herramienta eléctrica solo por una persona de reparación calificada que utilice solo piezas de repuesto idénticas.** Esto mantendrá la seguridad de la herramienta eléctrica.

Advertencias específicas de seguridad para la sierra de vaivén inalámbrica

- **Sostenga la herramienta eléctrica por las superficies de agarre aisladas al realizar una operación en la que el accesorio de corte pueda entrar en contacto con cableado oculto.** Es posible que un accesorio de corte que entre en contacto con un cable "energizado" también "energice" las piezas de metal expuestas de la herramienta eléctrica y podría provocar una descarga eléctrica al operador.
- **Utilice abrazaderas u otro método práctico para asegurar y sostener la pieza de trabajo en una plataforma estable.** Sostener la pieza de trabajo con una sola mano o apoyada en el cuerpo es inestable y puede causar pérdida de control.
- Siempre espere hasta que la herramienta se detenga por completo antes de colocarla hacia abajo. El accesorio de la herramienta se puede atascar y provocar la pérdida de control sobre la herramienta eléctrica.
- Cuando trabaje con la herramienta eléctrica, siempre sosténgala firmemente con ambas manos y adopte una posición segura. Es más seguro guiar la herramienta eléctrica con ambas manos.

INFORMACIÓN DE SEGURIDAD

- Siempre retire el paquete de baterías antes de cambiar la hoja de la sierra o ajustar la base de la sierra.
- La hoja de la sierra debe estar firmemente fijada en su soporte. Verifique que haya encajado de forma segura antes de usarla.
- Asegúrese de que todas las palancas de ajuste y el soporte de la hoja estén firmes antes de realizar un corte. Si las palancas de ajuste y los soportes están sueltos, la herramienta o la hoja se pueden deslizar, y esto podría provocar una pérdida de control.
- Nunca toque la hoja de la sierra inmediatamente después de usarla. Puede estar caliente luego de un uso prolongado.
- Use siempre gafas de seguridad o lentes de protección cuando utilice esta herramienta. Use una mascarilla antipolvo o un respirador, o conecte la herramienta a una aspiradora de polvo externa si al cortar se genera una gran cantidad de polvo.
- Mantenga sus manos alejadas del área de corte. No toque el área debajo del material que está cortando. La proximidad de la hoja con su mano estará oculta a la vista.
- No use hojas de sierra ni accesorios desafilados o dañados.

PREPARACIÓN

Conozca su sierra de vaivén


Antes de intentar utilizar la sierra de vaivén, familiarícese con todas las funciones de operación y los requisitos de seguridad.

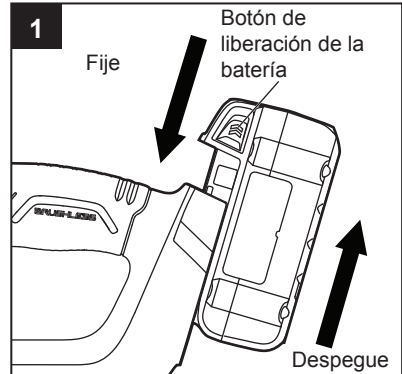
ADVERTENCIA

- No permita que la familiaridad con la sierra de vaivén lo vuelva descuidado. Recuerde que un momento de descuido es suficiente para causar lesiones graves. Antes de intentar utilizar cualquier herramienta, asegúrese de familiarizarse con todas las funciones de operación e instrucciones de seguridad.
- No intente modificar esta herramienta ni crear accesorios que no sean los recomendados para esta. Cualquier alteración o modificación es considerada un mal uso y podría causar una condición peligrosa que podría producir lesiones personales graves.

INSTRUCCIONES DE FUNCIONAMIENTO


1. Para fijar el paquete de baterías

- Presione el botón de bloqueo del interruptor (A) marcado  para ajustarlo en la posición de bloqueo.
- Alinee la parte elevada del paquete de baterías (no se incluye) con las ranuras de la parte inferior de la herramienta y luego, deslice el paquete de baterías en la herramienta, como se muestra.
- Asegúrese de que los pestillos del paquete de baterías encajen en su lugar y de que el paquete de baterías esté fijo en la herramienta antes de comenzar la operación.





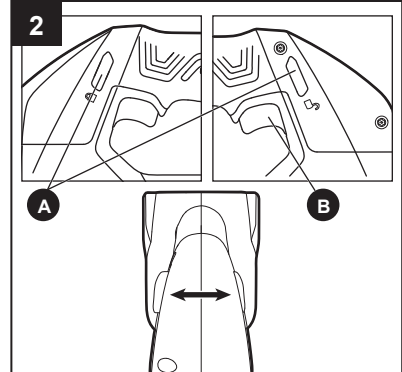
AVISO: Al colocar el paquete de baterías en la herramienta, asegúrese de que la nervadura elevada del paquete de baterías se alinee con la ranura de la herramienta y de que los pestillos encajen en su lugar adecuadamente. La fijación inadecuada del paquete de baterías puede provocar daños a los componentes internos.

Para liberar el paquete de baterías


- Presione el botón de bloqueo del interruptor (A) marcado  para ajustarlo en la posición de bloqueo.
- Presione el botón de liberación de la batería para liberar el paquete de baterías.
- Jale el paquete de baterías hacia atrás para retirar la batería de la herramienta.

2. Interruptor de gatillo de velocidad variable y botón de bloqueo del interruptor

- Para encender la sierra, presione el botón de bloqueo del interruptor (A) marcado  para desbloquear el interruptor, luego, apriete el interruptor de gatillo de velocidad variable (B).
- Para apagar la sierra, suelte el interruptor de gatillo. El interruptor se puede bloquear en la posición "OFF" (APAGADO) presionando el botón de bloqueo del interruptor marcado  para reducir la posibilidad de un arranque accidental.
- Para variar la velocidad, simplemente aumente o disminuya la presión en el interruptor de gatillo de velocidad variable. Mientras más apriete el interruptor de gatillo de velocidad variable, mayor será la velocidad.



ADVERTENCIA

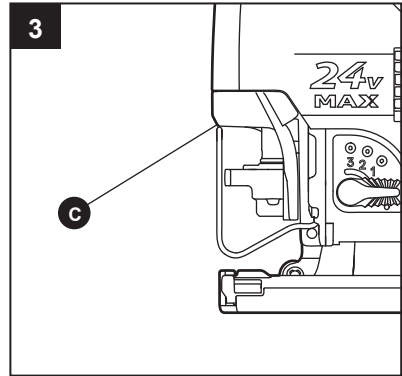
- Las herramientas con batería siempre están en condiciones de operación. Por lo tanto, presione siempre el botón de bloqueo del interruptor marcado  para bloquear el interruptor o retirar la batería cuando la sierra no se encuentre en uso o al transportar la sierra a su costado.

INSTRUCCIONES DE FUNCIONAMIENTO

3. Luz de trabajo LED

La luz de trabajo LED (C) se ubica en la parte frontal de la sierra en la carcasa de la herramienta. Se iluminará al presionar el interruptor de gatillo de velocidad variable (B). Esto brinda más iluminación a la superficie de la pieza de trabajo para usar la herramienta en áreas con poca iluminación.

La luz de trabajo LED se apagará aproximadamente 10 segundos después de que suelte el interruptor de gatillo de velocidad variable.



4. Palanca de función orbital

Esta sierra de vaivén tiene la opción de acción orbital mientras corta.

Ajuste la palanca de función orbital (I) que se adapte al material y obtener el mejor desempeño de corte.

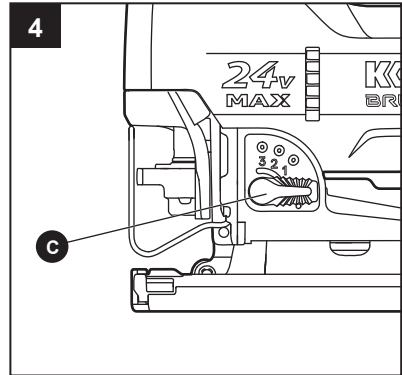
Ajuste 0: ninguna acción orbital para cortar acero fino blando, plástico, o para un corte de madera más preciso.

Ajuste 1: acción orbital mínima para cortar madera dura.

Ajuste 2: acción orbital mediana para corte de madera recto o con curvas.

Ajuste 3: acción orbital máxima para un corte de madera rápido.

Siempre realice cortes de prueba en el material de desecho primero para determinar el mejor ajuste.



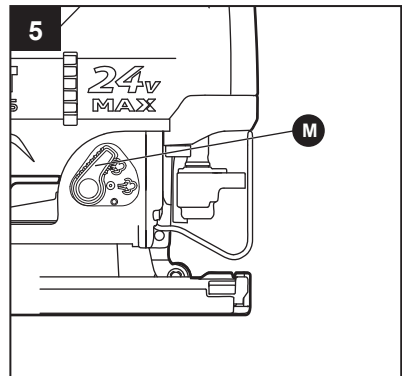
⚠ ADVERTENCIA

- Para reducir el riesgo de lesiones, siempre permita que la sierra de vaivén se detenga por completo antes de cambiar el ajuste de la función orbital.

5. Palanca de soplado de polvo

Esta herramienta tiene una palanca de soplado de polvo (M).

- a. Para soplar aserrín, mueva la palanca hacia el ajuste de soplado
- b. Para apagar la función de soplado, mueva la palanca hacia el ajuste no soplar



⚠ ADVERTENCIA

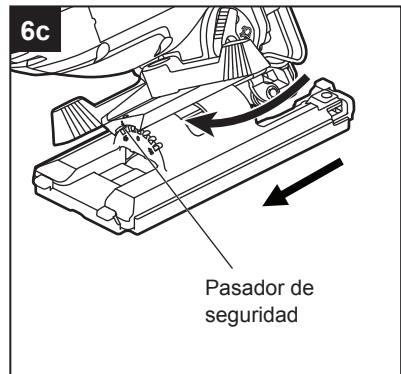
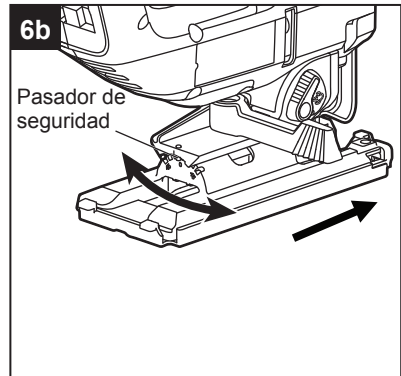
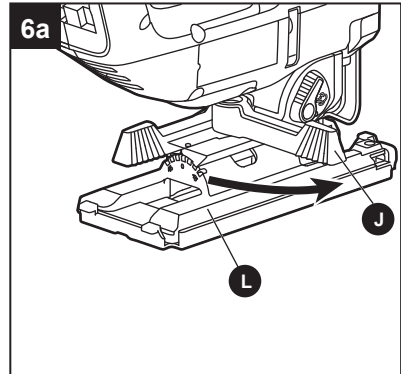
- Para reducir el riesgo de lesiones, siempre permita que la sierra de vaivén se detenga por completo antes de cambiar el ajuste de soplado de polvo.

INSTRUCCIONES DE FUNCIONAMIENTO

6. Ajuste del ángulo del biselado de la placa de la base

⚠ ADVERTENCIA

- Las herramientas con batería siempre están en condiciones de operación. Para reducir el riesgo de lesiones, siempre retire el paquete de baterías antes de realizar cualquier ajuste o cambio de accesorios.
- Gire la palanca del bisel (L) para desbloquear la placa de la base (J).
 - Mueva la placa de la base hacia delante para que el pasador de seguridad no entre en contacto con la placa de base. La placa de base ahora se puede biselar hacia la izquierda o hacia la derecha. Los ingletes se posicionan a 0°, 15°, 30° y 45°, según la báscula marcada en la placa de la base.
 - Cuando alcance el ángulo deseado, mueva la placa de la base hacia atrás. Asegúrese de que el pasador de seguridad esté en la ranura de la báscula.
 - Vuelva a mover la palanca del bisel para bloquear la placa de la base.



INSTRUCCIONES DE FUNCIONAMIENTO

7. Instalación y retiro de la hoja

⚠ ADVERTENCIA

- Las herramientas con batería siempre están en condiciones de operación. Para reducir el riesgo de lesiones, siempre retire el paquete de baterías antes de realizar cualquier ajuste o cambio de accesorios.

Para instalar la hoja

- Coloque la herramienta en posición invertida.
- Inserte la hoja de sierra (Q) en la abrazadera de la hoja (E) hasta donde se pueda, con la parte posterior de la hoja apoyada en la ranura de la guía de rodillo de la hoja. La abrazadera de la hoja fijará automáticamente la hoja. Asegúrese de que el vástago de la hoja esté completamente insertado en la abrazadera de la hoja.

⚠ ADVERTENCIA

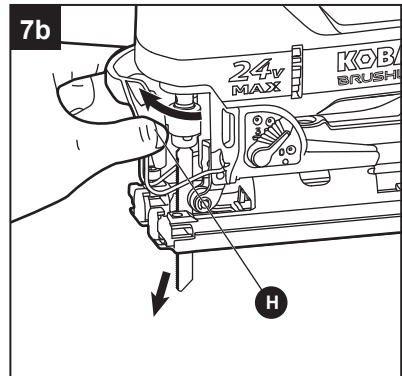
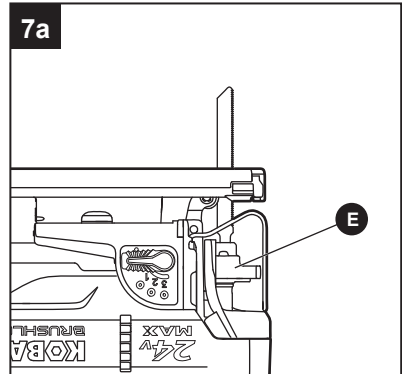
- Utilice solo hojas de sierra de vaivén con vástago en T. Otros tipos de hoja no se fijarán en la abrazadera de la hoja y esto podría causar lesiones personales durante el funcionamiento.

Para retirar la hoja

- Gire la palanca de liberación de la hoja (H) para abrir la abrazadera de la hoja.
- La hoja se expulsará de la abrazadera de la hoja.

⚠ ADVERTENCIA

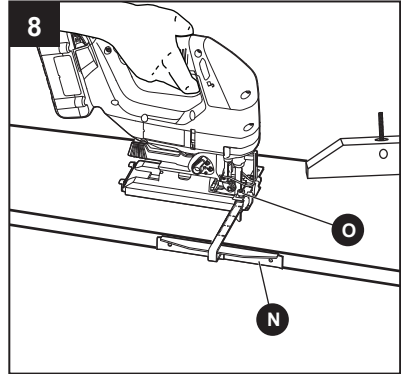
- No apunte la hoja hacia ninguna persona o cuerpo cuando retire la hoja, ya que esta sale expulsada desde la abrazadera de la hoja.



8. Instalación y uso de la guía de borde

! ADVERTENCIA

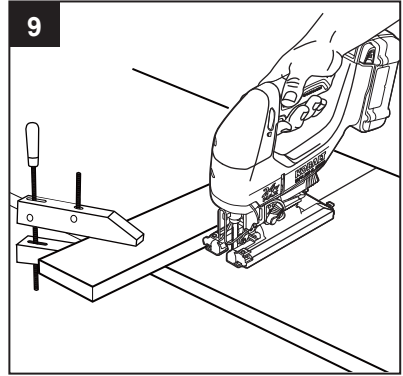
- Las herramientas con batería siempre están en condiciones de operación. Para reducir el riesgo de lesiones, siempre retire el paquete de baterías antes de realizar cualquier ajuste o cambio de accesorios.
- a. Inserte la barra de la guía de borde (N) por las ranuras de la guía de borde (F) en la placa de base de la sierra de vaivén con la guía de borde hacia abajo. La guía de borde se puede insertar desde cualquier lado de la base.
 - b. Ajuste la guía de borde a la distancia deseada y apriete los tornillos de fijación (O) con la llave inglesa hexagonal (P) para fijar la guía de borde de en su lugar.
 - c. Sujete y soporte la pieza de trabajo firmemente antes de realizar el corte.
 - d. Coloque la guía de borde firmemente contra el borde de la pieza de trabajo. Esto le ayudará a realizar un corte limpio sin enganchar la hoja.
 - e. Asegúrese de que el borde de la guía de la pieza de trabajo esté recto, para que pueda obtener un corte recto.
 - f. Siempre primero permita que la hoja alcance velocidad plena; luego, guíe con cuidado la sierra hacia la pieza de trabajo.



INSTRUCCIONES DE FUNCIONAMIENTO

9. Cortes en general con la sierra de vaivén

- a. Sujete firmemente la pieza de trabajo en su lugar.
- b. Use el tipo y el tamaño adecuados de hoja (Q) para la pieza de trabajo.
- c. Verifique el espacio detrás de la pieza de trabajo y asegúrese de que la hoja no impacte otra superficie.
- d. Marque claramente la línea del corte.
- e. Ajuste el ángulo de corte y cualquier otra configuración de la función.
- f. Sostenga la sierra de manera firme. Siempre realice el corte con la cubierta protectora (K) de placa de la base en su lugar, y así evitará que la pieza de trabajo sufra daño.
- g. Coloque la placa de la base (J) sobre la pieza de trabajo para que la hoja no entre en contacto con ella.
- h. Apriete el interruptor de gatillo de velocidad variable (B) para arrancar la sierra de vaivén y llevarla a la máxima velocidad de corte deseada antes de acercar la hoja a la pieza de trabajo.
- i. Mueva lentamente la sierra de vaivén hacia la pieza de trabajo.
- j. No fuerce la herramienta. Mantenga la placa de la base apoyada por completo contra la pieza de trabajo mientras corta. Utilice sólo la suficiente presión constante en la cuchilla para que la sierra siga cortando.
- k. Disminuya la presión a medida que la hoja se acerca al final del corte.
- l. Permita que la sierra se detenga por completo antes de retirar la hoja de la pieza de trabajo.
- m. Si corta fibra de vidrio, yeso, tabla de fibra prensada o compuesto de relleno, limpie las ventilas del motor de la sierra frecuentemente con una aspiradora o con aire comprimido.



⚠ ADVERTENCIA

- Siempre use gafas de seguridad al usar herramientas de limpieza con aire comprimido. Estos materiales son altamente abrasivos y pueden acelerar el desgaste de los cojinetes y los cepillos del motor.

Corte recto

Un corte recto se puede realizar sujetando un trozo de madera o un borde recto a la pieza de trabajo y guiando el borde de la sierra contra ella. El corte recto también se puede realizar con la guía de borde que viene con esta herramienta.

Realice el corte desde una sola dirección. Nunca corte hasta la mitad y luego complete el corte desde el extremo opuesto.

Corte de metal

Cuando corte metal, siempre sujete el material. El metal delgado debe colocarse entre dos piezas de madera o sujetarse con firmeza a una sola pieza de madera (con la madera en la parte superior del metal). Tenga cuidado de mover la sierra lentamente. Use velocidades más bajas. No tuerza, doble ni fuerce la hoja.

AVISO: No se recomienda usar la función orbital cuando corta metal.

Para un corte más fácil, lubrique la hoja con un palillo con cera para corte, si es posible, o use aceite de corte cuando corte acero. Nunca utilice gasolina.

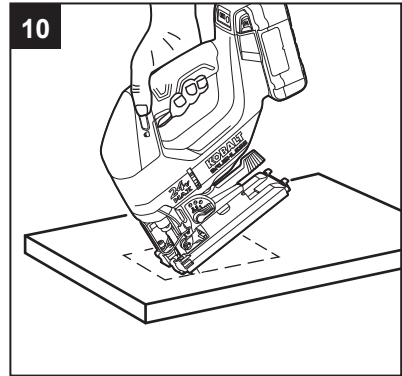
INSTRUCCIONES DE FUNCIONAMIENTO

10. Cortes con perforación

La sierra de vaivén es ideal para cortes con perforación en superficies que no se pueden cortar desde un borde.


ADVERTENCIA

- No realice cortes con perforación en superficies de metal.
- Siempre ajuste el valor de biselado de la placa de la base en 0° antes de realizar un corte con perforación.
 - a. Sujete firmemente la pieza de trabajo en su lugar.
 - b. Dibuje líneas de corte para la abertura.
 - c. Sostenga firmemente la sierra e inclínela hacia delante de modo que el frente de la placa de la base (J) se apoye en la pieza de trabajo.
 - d. Asegúrese de que la hoja (Q) esté alejada de la pieza de trabajo.
 - e. Con el frente de la placa de la base sujeta firmemente contra la pieza de trabajo para evitar un balanceo lateral, apriete el interruptor de gatillo de velocidad variable (B) para arrancar la sierra y seleccionar la velocidad. Luego, baje gradualmente la hoja en la pieza de trabajo.
 - f. Cuando la hoja toque la pieza de trabajo, gire lentamente la sierra como una bisagra hasta que la hoja corte la pieza de trabajo y la placa de la zapata se apoye de forma plana sobre la pieza de trabajo.
 - g. Comience a cortar de la forma habitual por la línea de corte.



AVISO: Siempre aplique presión firme, constante y hacia abajo en la parte delantera de la sierra mientras corta. Esto evitará que la hoja de sierra salte de la pieza de trabajo.

CUIDADO Y MANTENIMIENTO

 Todas las tareas de mantenimiento deben estar a cargo únicamente de un técnico de servicio calificado.

Limpieza

Antes de limpiar o realizar cualquier mantenimiento, retire el paquete de baterías de la sierra de vaivén. Para un uso seguro y adecuado, siempre mantenga limpias la herramienta y sus ranuras de ventilación.

Siempre use solamente un paño suave y seco para limpiar la sierra de vaivén; nunca use detergente ni alcohol.

SOLUCIÓN DE PROBLEMAS

ADVERTENCIA

- Coloque el interruptor en la posición "OFF" (Apagado), presione el botón bloqueo del gatillo para bloquearlo y retire el paquete de baterías de la sierra de vaivén antes de realizar procedimientos de solución de problemas.

PROBLEMA	CAUSA POSIBLE	ACCIÓN CORRECTIVA
La sierra de vaivén no funciona.	La capacidad de la batería es baja.	Cargue la batería.
La hoja se atasca o quema la madera.	1. Funcionamiento inadecuado.	1. Consulte la sección "INSTRUCCIONES DE FUNCIONAMIENTO".
	2. Hoja roma.	2. Reemplace la hoja.
	3. Hoja inadecuada.	3. Reemplace la hoja.
No se puede retirar la hoja.	Serrín en la ranura de la abrazadera de la hoja.	Limpie la ranura de la abrazadera con un cepillo.
La sierra vibra o se agita.	1. Hoja dañada.	1. Reemplace la hoja.
	2. Hoja suelta.	2. Retire la hoja y vuelva a instalarla.

GARANTÍA

5 años de garantía limitada

La sierra de vaivén está garantizada contra defectos de fabricación en materiales y mano de obra por 5 años desde la fecha de compra para el comprador original. Esta garantía no cubre daños por el abuso, desgaste normal, mantenimiento inadecuado, negligencia, reparación/ alteración no autorizada ni piezas fungibles y accesorios que se espera que sean inutilizables después de un período de uso razonable.

Si cree que este producto cumple con los requisitos dispuestos por la garantía mencionada arriba, devuelva el producto al lugar donde lo compró con un comprobante de compra válido y el producto defectuoso se reparará o reemplazará sin cargo. Esta garantía le otorga derechos legales específicos, pero también podría tener otros derechos que varían según el estado.

