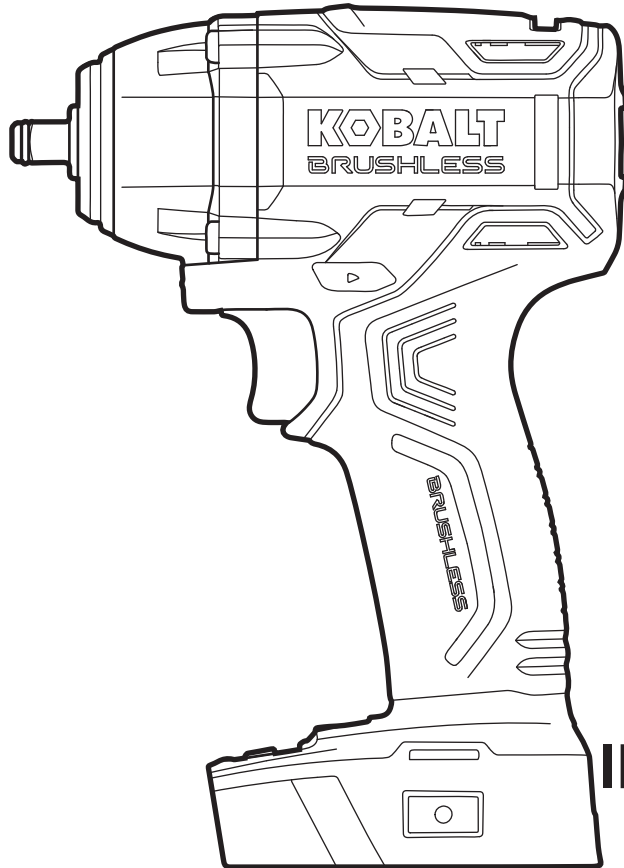


KOBALT®



ITEM #0672828

3/8 IN BRUSHLESS IMPACT WRENCH

MODEL #KIW 3824B-03

KOBALT® and the K Design® are registered trademarks of LF, LLC. All Rights Reserved.

Español p. 15

ATTACH YOUR RECEIPT HERE

Serial Number _____ Purchase Date _____



Questions, problems, missing parts? Before returning to your retailer, call our customer service department at 1-888-3KOBALT (1-888-356-2258), 8 a.m. - 8 p.m., EST, Monday - Friday.

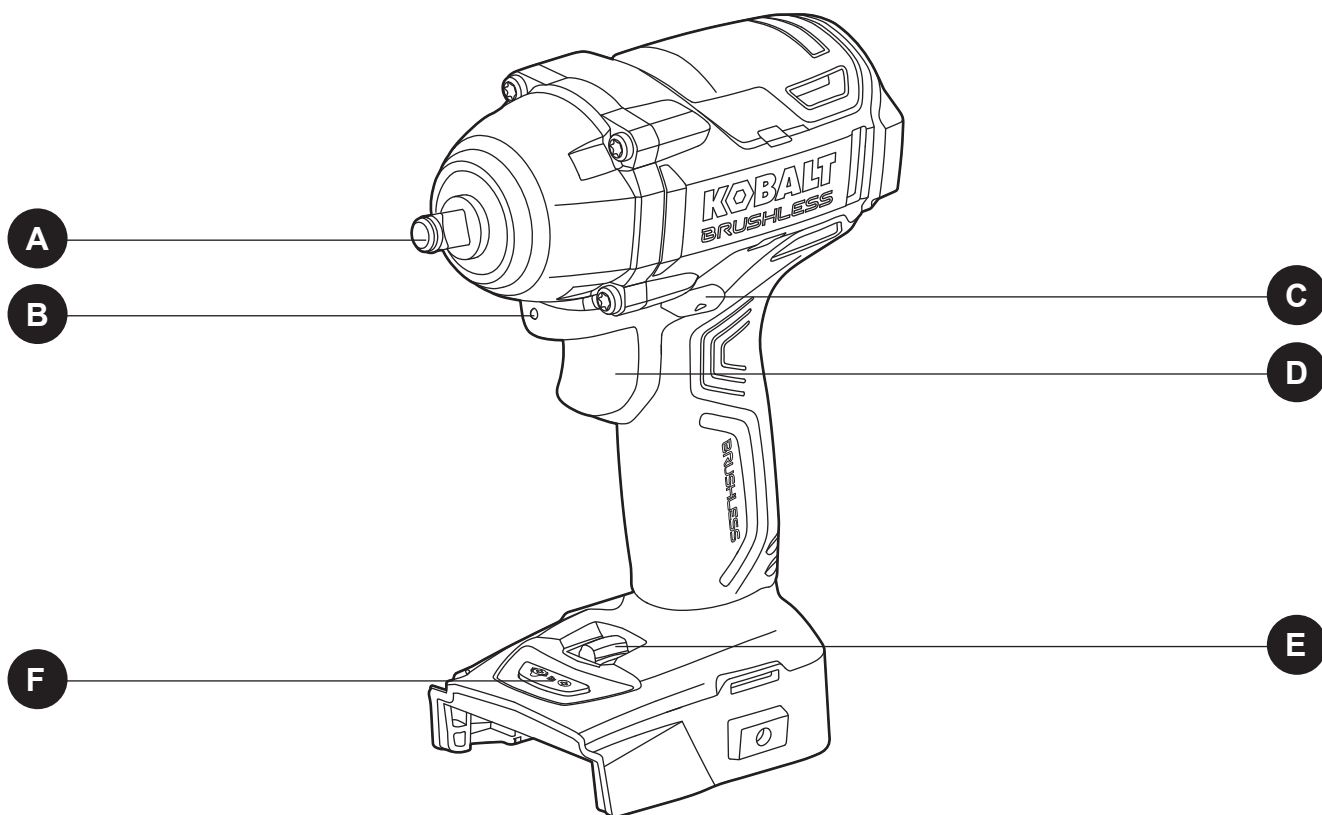
TABLE OF CONTENTS

Product Specifications	2
Package Contents	3
Safety Information	4
Preparation	7
Operating Instructions	8
Care and Maintenance	12
Troubleshooting	13
Warranty	13

PRODUCT SPECIFICATIONS

COMPONENT	SPECIFICATION
Rated voltage	24 V d.c.
Anvil size	3/8 in.
No-load speed	0-750/0-1,400/0-2,300 RPM
Maximum torque	150 ft. lbs.
Impacts per minute	0-1,050/0-2,200/0-3,200 IPM

PACKAGE CONTENTS



PART	DESCRIPTION
A	Anvil
B	LED worklight
C	Direction-of-rotation selector

PART	DESCRIPTION
D	Variable-speed trigger switch
E	Speed selector
F	Finish button

WARNING

- Remove the tool from the package and examine it carefully. Do not discard the carton or any packaging material until all parts have been examined.
- If any part of the tool is missing or damaged, do not attach the battery pack or use the tool until the part has been repaired or replaced. Failure to heed this warning could result in serious injury.



SAFETY INFORMATION

Please read and understand this entire manual before attempting to assemble or operate this product. If you have any questions regarding the product, please call customer service at 1-888-3KOBALT, 8 a.m. - 8 p.m., EST, Monday - Friday.



WARNING

- The operation of any power tool can result in foreign objects being thrown into your eyes, which can result in severe eye damage. Before beginning power-tool operation, always wear safety goggles or safety glasses with side shields and a full-face shield, when needed. It is recommended to use a wide vision safety mask over eyeglasses or standard safety glasses with shields. Always use eye protection marked to comply with ANSI Z87.1.
- Some dust created by power sanding, sawing, grinding, drilling, and other construction activities contains chemicals known to the state of California to cause cancer, birth defects, or other reproductive harm. Some examples of these chemicals are:
 - Lead from lead-based paints
 - Crystalline silica from bricks, cement, and other masonry products
 - Arsenic and chromium from chemically-treated lumber
- Your risk from these exposures varies, depending upon how often you do this type of work. To reduce your exposure to these chemicals:
 - Work in a well-ventilated area.
 - Work with approved safety equipment, such as dust masks that are specially designed to filter out microscopic particles.
 - Avoid prolonged contact with dust from power sanding, sawing, grinding, drilling, and other construction activities. Wear protective clothing and wash exposed areas with soap and water. Allowing dust to get into your mouth or eyes or to lie on the skin may promote absorption of harmful chemicals.

Know the Tool

To operate this tool, carefully read this manual and all labels affixed to the tool before using it. Keep this manual available for future reference.

Important

This tool should be serviced only by a qualified service technician.

Read All Instructions Thoroughly



SAFETY INFORMATION

Some of the following symbols may be used on this tool. Please study them and their meaning. Proper interpretation of these symbols will allow you to operate the tool better and more safely.

SYMBOL	DEFINITION	SYMBOL	DEFINITION
V	Volts	n_0	No-load Speed
A	Amps	/min	Revolutions or Strokes per Minute
Hz	Hertz		Direct Current
W	Watts		Alternating Current

General Power Tool Safety Warnings



WARNING

- **Read all safety warnings and all instructions.** Failure to follow the warnings and instructions may result in electric shock, fire and/or serious injury.

Save all warnings and instructions for future reference

The term “power tool” in the warnings refers to your mains-operated (corded) power tool or battery-operated (cordless) power tool.

Work Area Safety

- **Keep work area clean and well lit.** Cluttered or dark areas invite accidents.
- **Do not operate power tools in explosive atmospheres, such as in the presence of flammable liquids, gases or dust.** Power tools create sparks, which may ignite the dust or fumes.
- **Keep children and bystanders away while operating a power tool.** Distractions can cause you to lose control.

Electrical Safety

- **Power tool plugs must match the outlet. Never modify the plug in any way. Do not use any adaptor plugs with earthed (grounded) power tools.** Unmodified plugs and matching outlets will reduce the risk of electric shock.
- **Avoid body contact with earthed or grounded surfaces such as pipes, radiators, ranges and refrigerators.** There is an increased risk of electric shock if your body is earthed or grounded.
- **Do not expose power tools to rain or wet conditions.** Water entering a power tool will increase the risk of electric shock.
- **Do not abuse the cord. Never use the cord for carrying, pulling or unplugging the power tool. Keep the cord away from heat, oil, sharp edges or moving parts.** Damaged or entangled cords increase the risk of electric shock.



SAFETY INFORMATION

- **When operating a power tool outdoors, use an extension cord suitable for outdoor use.** Use of a cord suitable for outdoor use reduces the risk of electric shock.
- **If operating a power tool in a damp location is unavoidable, use a ground-fault circuit interrupter (GFCI) protected supply.** Use of a GFCI reduces the risk of electric shock.

Personal Safety

- **Stay alert, watch what you are doing and use common sense when operating a power tool. Do not use a power tool while you are tired or under the influence of drugs, alcohol or medication.** A moment of inattention while operating power tools may result in serious personal injury.
- **Use personal protective equipment. Always wear eye protection.** Protective equipment such as dust mask, non-skid safety shoes, hard hat, or hearing protection, used for appropriate conditions, will reduce personal injuries.
- **Prevent unintentional starting. Ensure that the switch is in the off-position before connecting to power source and/or battery pack, picking up or carrying the tool.** Carrying power tools with your finger on the switch or energizing power tools that have the switch on invites accidents.
- **Remove any adjusting key or wrench before turning the power tool on.** A wrench or a key left attached to a rotating part of the power tool may result in personal injury.
- **Do not overreach. Keep proper footing and balance at all times.** This enables better control of the power tool in unexpected situations.
- **Dress properly. Do not wear loose clothing or jewelry. Keep your hair, clothing and gloves away from moving parts.** Loose clothes, jewelry or long hair can be caught in moving parts.
- **If devices are provided for the connection of dust extraction and collection facilities, ensure that these are connected and properly used.** Use of these devices can reduce dust-related hazards.

Power Tool Use and Care

- **Do not force the power tool. Use the correct power tool for your application.** The correct power tool will do the job better and safer at the rate for which it was designed.
- **Do not use the power tool if the switch does not turn it on and off.** Any power tool that cannot be controlled with the switch is dangerous and must be repaired.
- **Disconnect the plug from the power source and/or the battery pack from the power tool before making any adjustments, changing accessories, or storing power tools.** Such preventive safety measures reduce the risk of starting the power tool accidentally.
- **Store idle power tools out of the reach of children and do not allow persons unfamiliar with the power tool or these instructions to operate the power tool.** Power tools are dangerous in the hands of untrained users.
- **Maintain power tools. Check for misalignment or binding of moving parts, breakage of parts and any other condition that may affect the power tool's operation. If damaged, have the power tool repaired before use.** Many accidents are caused by poorly maintained power tools.
- **Keep cutting tools sharp and clean.** Properly maintained cutting tools with sharp cutting edges are less likely to bind and are easier to control.
- **Use the power tool, accessories, tool bits, etc., in accordance with these instructions, taking into account the working conditions and the work to be performed.** Use of the power tool for operations different from those intended could result in a hazardous situation.



SAFETY INFORMATION

Battery Tool Use and Care

- **Recharge only with the charger specified by the manufacturer.** A charger that is suitable for one type of battery pack may create a risk of fire when used with another battery pack.
- **Use power tools only with specifically designated battery packs.** Use of any other battery packs may create a risk of injury and fire.
- **When a battery pack is not in use, keep it away from other metal objects like paper clips, coins, keys, nails, screws or other small metal objects that can make a connection from one terminal to another.** Shorting the battery terminals together may cause burns or a fire.
- **Under abusive conditions, liquid may be ejected from the battery; avoid contact. If contact accidentally occurs, flush with water. If liquid contacts eyes, additionally seek medical help.** Liquid ejected from the battery may cause irritation or burns.

Service

- **Have your power tool serviced by a qualified repair person using only identical replacement parts.** This will ensure that the safety of the power tool is maintained.

Specific Safety Warnings for Impact Wrench

- **Hold power tools by insulated gripping surfaces when performing an operation where the cutting tool may contact hidden wiring or its own cord.** Contact with a “live” wire may make exposed metal parts of the power tool “live” and shock the operator.
- Wear ear protectors when impact drilling. Exposure to noise can cause hearing loss.
- Secure the workpiece. Clamping devices or a vise will hold the workpiece in place better and more safely than holding it by hand.
- Always wait until the tool has come to a complete stop before placing it down. The tool insert can jam and lead to loss of control over the power tool.
- Before performing any kind of work on the tool (e.g., maintenance, tool change, etc.), as well as when transporting and storing it, always set the rotational direction switch to the center position. Unintentional activation of the On/Off switch may result in personal injury.
- When working with the power tool, always hold it firmly with both hands and provide a secure stance. The power tool is guided more securely with both hands.

PREPARATION

Know Your Impact Wrench

Before attempting to use the impact wrench, familiarize yourself with all of its operating features and safety requirements.



WARNING

- Do not allow familiarity with the impact wrench to cause carelessness. Remember that one careless moment is enough to cause severe injury. Before attempting to use any tool, be sure to become familiar with all of the operating features and safety instructions.
- Do not attempt to modify this tool or create accessories not recommended for use with this tool. Any such alteration or modification is misuse and could result in a hazardous condition leading to possible serious personal injury.

OPERATING INSTRUCTIONS

1. Battery Pack

To Attach Battery Pack

- Place the direction-of-rotation selector (C) in the center (locked) position.
- Align the raised portion on the battery pack with the grooves on the bottom of the tool, then slide the battery pack onto the tool as shown.
- Ensure that the battery-release buttons on the battery pack snap into place and the battery pack is secured to the tool before beginning operation.

NOTICE: When placing the battery pack on the tool, be sure that the raised rib on the battery pack aligns with the groove on the tool and the latches snap into place properly. Improper assembly of the battery pack can cause damage to internal components.

To Detach Battery Pack

- Place the direction-of-rotation selector (C) in the center (locked) position.
- Press the battery-release buttons to release the battery pack.
- Pull forward on the battery pack to remove it from the tool.

WARNING

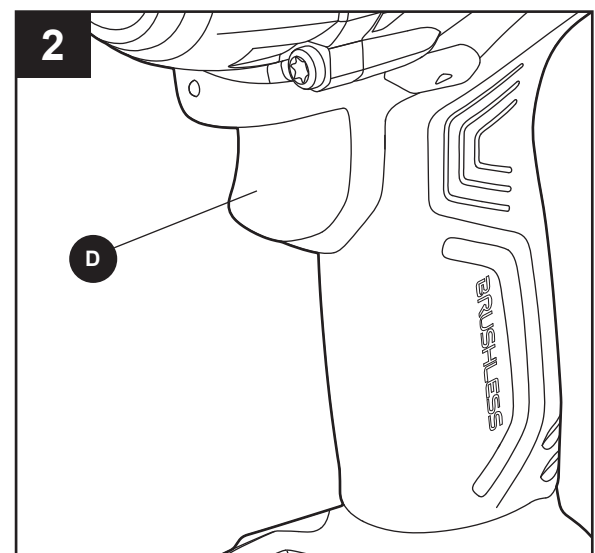
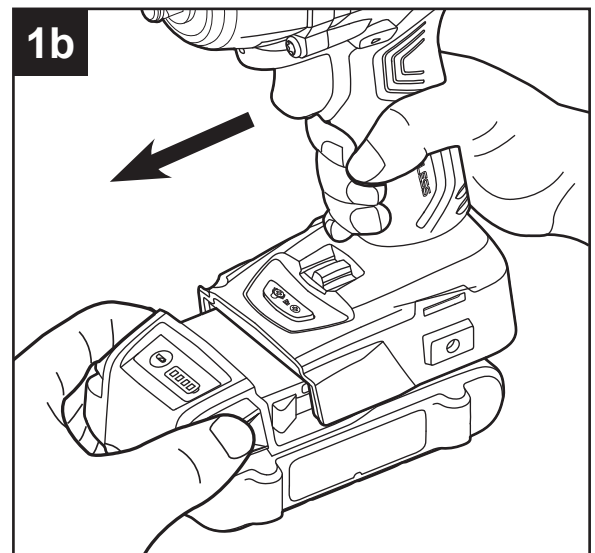
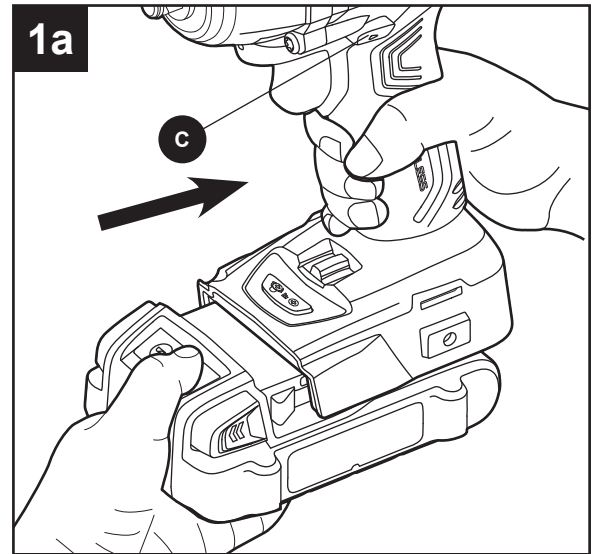
- Battery tools are always in operating condition. Therefore, the direction-of-rotation selector should always be locked (center) when the tool is not in use or when carrying the tool at your side.

2. Variable-Speed Trigger Switch

- To turn the impact wrench ON, depress the variable-speed trigger switch (D).
- To turn it OFF, release the variable-speed trigger switch.
- The variable-speed trigger switch delivers higher speed with increased trigger pressure and lower speed with decreased trigger pressure.

Electric Brake

The impact wrench is equipped with an electric brake. When the variable-speed trigger switch is released, the electric brake engages automatically to quickly stop rotation.



OPERATING INSTRUCTIONS

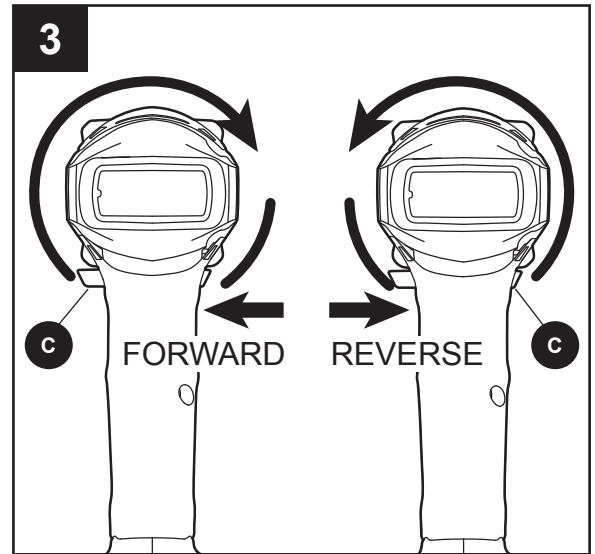
3. Direction-of-Rotation Selector (Forward/Center Lock/Reverse)

The direction of bit rotation is reversible and is controlled by a selector located above the variable-speed trigger switch (D). With the impact wrench held in the normal operating position, pointing away from you:

- Position the direction-of-rotation selector (C) to the left of the tool for forward rotation.
- Position the direction-of-rotation selector to the right of the tool for reverse rotation.
- Setting the selector in the center (locked) position helps reduce the possibility of accidental start-up when not in use.

NOTICE: To prevent gear damage, always allow the impact wrench to come to a complete stop before changing the direction of rotation.

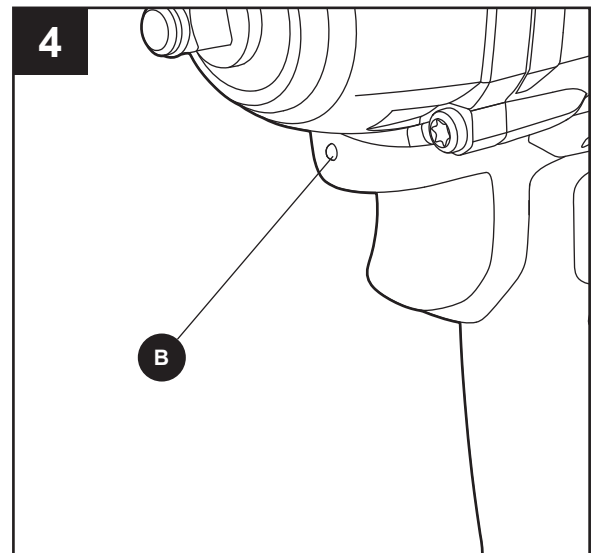
NOTICE: The impact wrench will not run unless the direction-of-rotation selector is engaged fully to the left or right.



4. LED Worklight

The LED worklight (B), located above the variable-speed trigger switch (D) of the impact wrench, will illuminate when the variable-speed trigger switch is depressed. This provides additional light on the surface of the workpiece for operation in lower-light areas. The LED worklight will automatically turn off approximately 10 seconds after the variable-speed trigger switch is released.

- The LED worklight will blink rapidly if the tool has stopped working in order to protect internal circuits; please wait for the tool to cool down, at which point it can be started again.
- The LED worklight will blink slowly to indicate that the battery charge is very low.



OPERATING INSTRUCTIONS

5. Speed Selector

The impact wrench has a speed selector (E) located on the base to select among three different variable-speed ranges (refer to specifications).

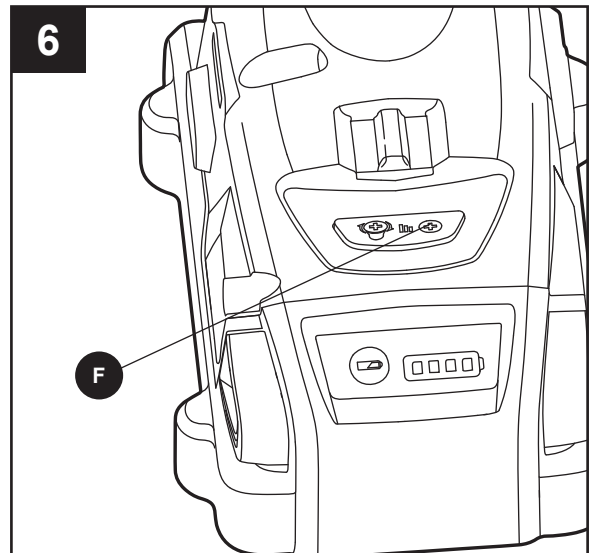
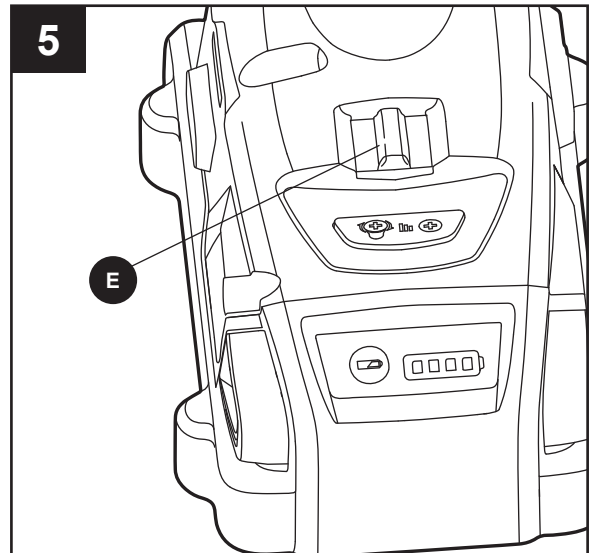
1. The impact wrench provides lowest speed and torque.
2. The impact wrench provides medium speed and torque.
3. The impact wrench provides maximum speed and torque.

NOTICE: Do not change speed range while the tool is running. The speed range will not change until you release the variable-speed trigger switch.

6. Finish Mode

The finish mode permits better control of the impact driving action and is useful as the head of the fastener approaches the level of the workpiece. In finish mode, each successive depression of the variable-speed trigger switch (D) will result in a very short impacting burst. The finish button (E) is located on the base of the tool.

- a. To engage the finish mode, ensure a battery is correctly attached to the tool, depress and release the variable-speed trigger switch to turn on the tool, then press the finish button. The green light on the finish button will illuminate to indicate that the finish mode is activated.
- b. The finish mode can be turned on and off for approximately 15 minutes after the last variable-speed trigger release.
- c. If more than 15 minutes have passed, repeat the process described above to engage the finish mode.



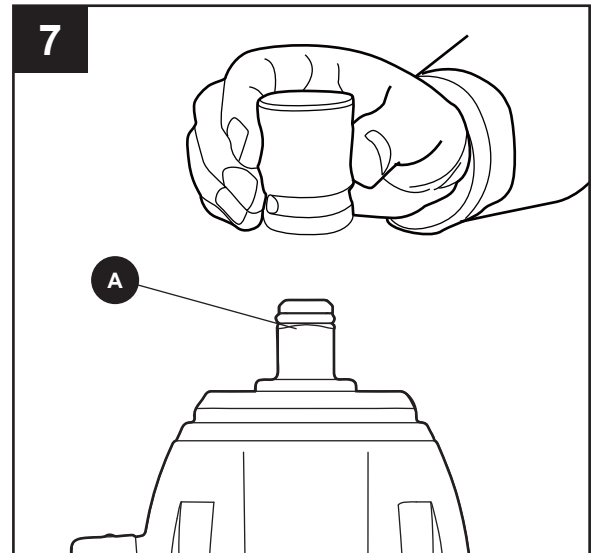
OPERATING INSTRUCTIONS

7. Installing and Removing Socket

- Place the direction-of-rotation selector (C) in the center (lock) position.
- To install a 3/8 in. socket (not included), simply push the socket completely onto the square anvil (A).
- To remove the socket, pull it off.

WARNING

- Only use sockets designed for impact wrenches. Sockets not designed for impact wrenches could break and result in user injury. Inspect sockets prior to use to ensure that they have no cracks or other visible damage.
- Use protective gloves when removing the socket from the tool, or first allow it to cool. The socket may be hot after prolonged use.



8. Tighten Fasteners with the Impact Wrench

WARNING

- Battery tools are always in operating condition. Therefore, the direction-of-rotation selector should always be locked when not in use or carrying at your side.

The proper fastening torque may differ depending on the type or size of the bolt, the material of the workpiece to be fastened, etc. Before starting your job, always perform a test operation to determine the proper fastening time for your bolt or nut.

- Check the direction-of-rotation selector (C) for the correct setting (forward or reverse).
- Select the finish mode as necessary according to the work piece.
- Select the suitable speed and torque range for the application. It is advisable to make a trial driving on a scrap material to determine the selection.
- Hold the tool firmly and place the socket over the bolt or nut.
- Depress the variable-speed trigger switch (D) to turn the impact wrench on. The variable-speed trigger switch delivers higher speed with increased trigger pressure and lower speed with decreased trigger pressure.
- Fasten the bolt or nut to the proper torque.
- To turn the impact wrench OFF, release the variable-speed trigger switch.
- After fastening, always check the torque with a torque wrench.

NOTICE: Hold the tool straight along the axis of the bolt or nut.

NOTICE: Excessive fastening torque may damage the bolt/nut or socket.

Practice with various fasteners, noting the length of time required to reach the desired torque. Check the tightness with a torque wrench. If the fasteners are too tight, reduce the impacting time. If they are not tight enough, increase the impacting time.

OPERATING INSTRUCTIONS

The fastening torque is affected by a wide variety of factors, including the following:

- Socket
 - Failure to use the correct size socket will cause a reduction in the fastening torque. A worn socket (wear on the hex end or square end) will cause a reduction in the fastening torque.
- Bolt
 - Although the torque coefficient and the class of bolt may be the same, the proper fastening torque will differ according to the diameter of the bolt. Although the diameters of bolts may be the same, the proper fastening torque will differ according to the torque coefficient, the class of bolt and the bolt length.
- The use of a universal joint or an extension bar (both sold separately) will reduce the fastening force of the impact wrench somewhat. Compensate by fastening for a longer period of time.
- The manner of holding the tool or the material to be fastened will affect the torque.

Loosening Fasteners

The torque that is required to loosen a fastener averages 75% to 80% of the tightening torque, depending on the condition of the contacting surfaces. However, if rust or corrosion causes seizing, more torque may be required.

CARE AND MAINTENANCE



All maintenance should only be carried out by a qualified technician.

Cleaning

Before cleaning or performing any maintenance, remove the battery pack from the impact wrench. For safe and proper operation, always keep the tool and its ventilation slots clean.

Always use only a soft, dry cloth to clean your impact wrench; never use detergent or alcohol.

TROUBLESHOOTING

WARNING

- Turn the switch to the “OFF” position and remove the battery pack from the impact wrench before performing troubleshooting procedures.

PROBLEM	POSSIBLE CAUSE	CORRECTIVE ACTION
The impact wrench does not work.	The battery pack is depleted.	Charge the battery pack.
The socket cannot be installed.	The socket does not fit the sleeve.	Use a suitable adapter or claimed capacity socket.
The motor is overheating.	Be sure cooling vents are free of dust and obstacles.	Clean and clear the vents. Do not cover the vents with your hand during operation.
The LED worklight blinks rapidly.	The tool has stopped working to protect internal circuits.	Release the trigger switch, wait for the tool to cool down, then and start the tool again.
The LED worklight blinks slowly.	The battery charge is very low.	Charge the battery.

WARRANTY

5 Year Limited Tool Guarantee

For 5 years from the date of purchase, the impact wrench is warranted for the original purchaser to be free from defects in material and workmanship. This guarantee does not cover damage due to abuse, normal wear, improper maintenance, neglect, unauthorized repair/alteration, or expendable parts and accessories expected to become unusable after a reasonable period of use.

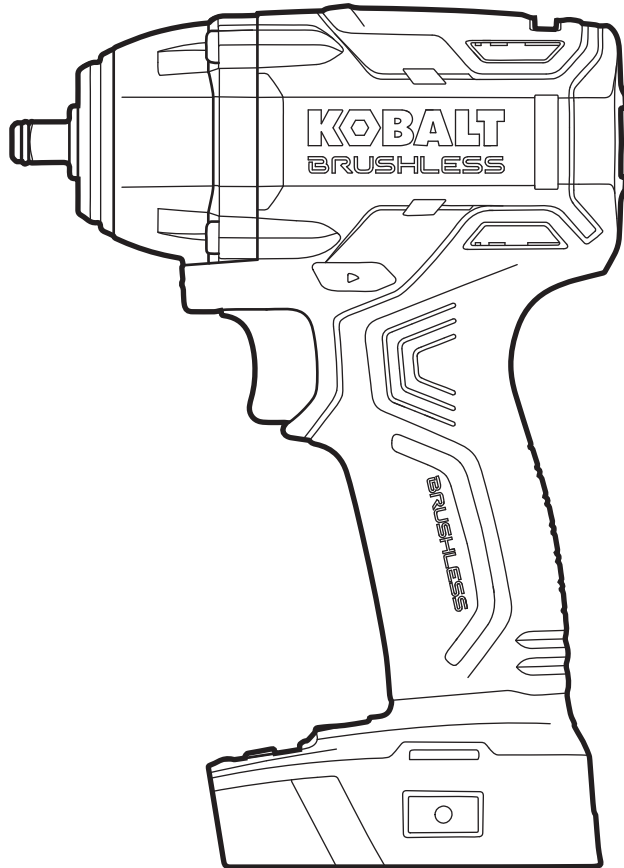
If you think your product meets the above guarantee criteria, please return it to the place of purchase with valid proof of purchase and the defective product will be repaired or replaced at no charge. This guarantee gives you specific legal rights, and you may also have other rights that vary from state to state.

Printed in China

KOBALT® and the K Design® are registered trademarks of LF, LLC. All Rights Reserved.

kobalttools.com **KOBALT**

KOBALT®



ARTÍCULO #0672828

LLAVE DE PERCUSIÓN SIN CEPILLO DE 3/8 PULG

MODELO #KIW 3824B-03

KOBALT® y K Design® son marcas registradas de LF, LLC. Todos los derechos reservados

ADJUNTE SU RECIBO AQUÍ

Número de serie _____ Fecha de compra _____



¿Preguntas, problemas, piezas faltantes? Antes de volver a la tienda, llame a nuestro Departamento de Servicio al Cliente al 1-888-3KOBALT (1-888-356-2258), de lunes a viernes de 8 a.m. a 8 p.m., hora estándar del Este.

kobalttools.com **KOBALT**

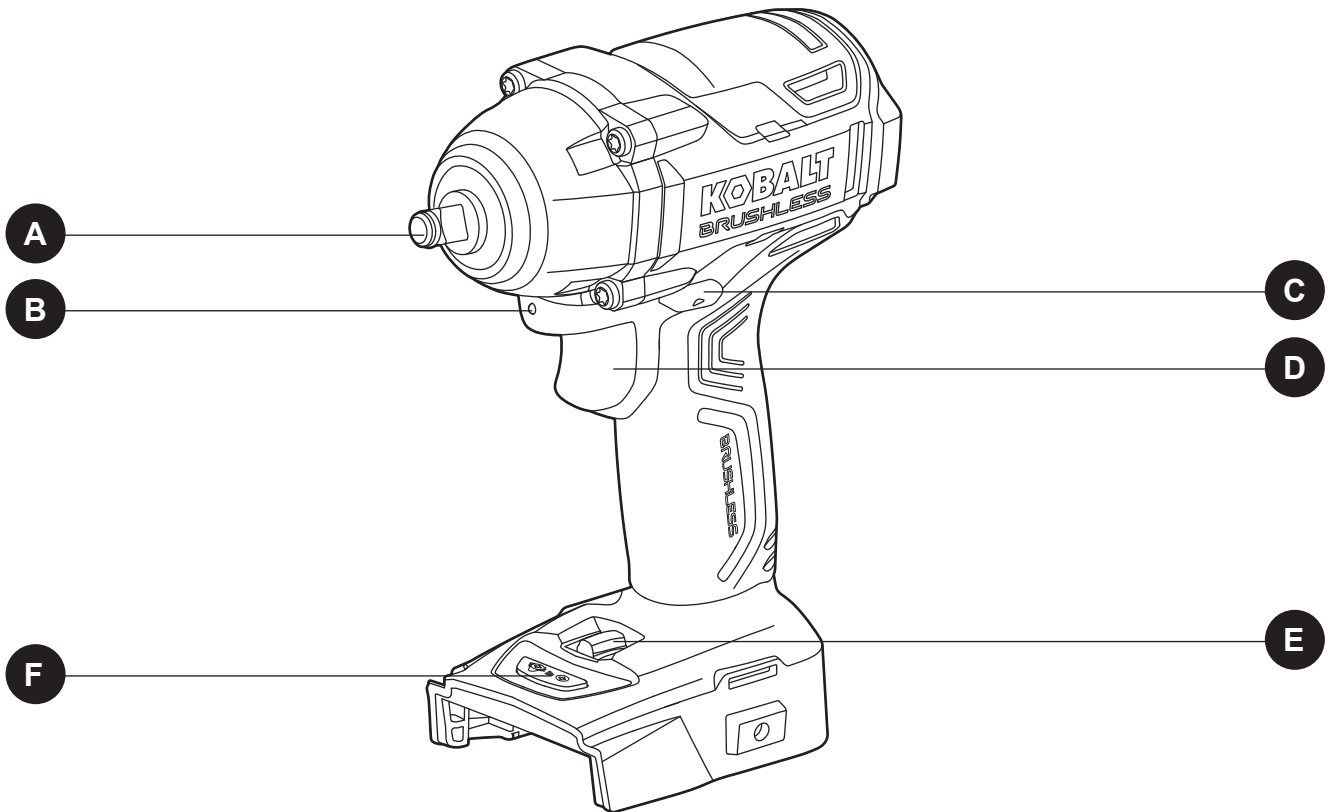
ÍNDICE

Especificaciones del producto	16
Contenido del paquete	17
Información de seguridad	18
Preparación	22
Instrucciones de funcionamiento	22
Cuidado y mantenimiento	27
Solución de problemas	28
Garantía.....	28

ESPECIFICACIONES DEL PRODUCTO

COMPONENTE	ESPECIFICACIONES
Rango de voltaje	24 V CC
Tamaño de mandril	3/8 pulg
Velocidad sin carga	0-750/0-1,400/0-2,300 RPM
Torque máximo	2,073 kgf-m
Impacto por minuto	0-1,050/0-2,200/0-3,200 IPM

CONTENIDO DEL PAQUETE



PIEZA	DESCRIPCIÓN
A	Manguito
B	Luz de trabajo LED
C	Selector de dirección de rotación

PIEZA	DESCRIPCIÓN
D	Interruptor de gatillo de velocidad variable
E	Botón de finalización
F	Selector de velocidad

ADVERTENCIA

- Retire la herramienta del paquete y examínela con cuidado. No deseche la caja ni ningún material de embalaje hasta después de examinar todas las piezas.
- Si falta alguna pieza de la herramienta o si alguna pieza está dañada, no fije el paquete de baterías ni use la herramienta hasta reparar o reemplazar la pieza. El incumplimiento de esta advertencia podría provocar lesiones graves.



INFORMACIÓN DE SEGURIDAD

Lea y comprenda completamente este manual antes de intentar ensamblar u operar este producto. Si tiene preguntas relacionadas con el producto, llame al Departamento de Servicio al Cliente al 1-888-3KOBALT, de lunes a viernes de 8 a.m. a 8 p.m., hora estándar del Este.



ADVERTENCIA

- La operación de cualquier herramienta eléctrica puede arrojar objetos extraños a los ojos y, de esta manera, causar graves daños oculares. Use siempre gafas de seguridad con protecciones laterales y, cuando sea necesario, use una máscara que cubra todo el rostro antes de comenzar a operar una herramienta eléctrica. Recomendamos usar una máscara de seguridad de visión amplia sobre los lentes o las gafas de seguridad estándar con protección. Siempre use lentes de protección que cumplan con la norma ANSI Z87.1.
- Parte del polvo causado por el lijado eléctrico, el serruchado, la trituración, el taladro y otras actividades de construcción contiene sustancias químicas que, según el estado de California, causan cáncer, defectos congénitos u otros daños reproductivos. Algunos ejemplos de estos químicos son los siguientes:
 - Plomo de pinturas a base de plomo
 - Sílice cristalina de ladrillos, cemento y otros productos de mampostería
 - Arsénico y cromo de madera tratada con químicos
- El riesgo que corre debido a la exposición a estos químicos varía según la frecuencia con que realiza este tipo de trabajo. Para disminuir su exposición a estas sustancias químicas:
 - Trabaje en un área bien ventilada.
 - Trabaje con equipo de seguridad aprobado, como las mascarillas antipolvo especialmente diseñadas para filtrar partículas microscópicas.
 - Evite estar en contacto prolongado con el polvo provocado por las lijas, sierras, trituradoras y taladros eléctricos y otras actividades de construcción. Use ropa protectora y lave todas las áreas expuestas del cuerpo con agua y jabón. Si permite que el polvo llegue a su boca o a sus ojos, o que repose sobre la piel, puede fomentar la absorción de químicos dañinos.

Conozca la herramienta

Para operar esta herramienta, lea cuidadosamente este manual y las etiquetas fijadas a la herramienta antes de usarla. Guarde este manual para referencia futura.



Importante

Solo un técnico calificado puede reparar esta herramienta.

Lea por completo todas las instrucciones

INFORMACIÓN DE SEGURIDAD

Algunos de los siguientes símbolos pueden aparecer en esta herramienta. Obsérvelos y aprenda su significado. La interpretación correcta de estos símbolos le permitirá utilizar la herramienta de manera eficaz y segura.

SÍMBOLO	DEFINICIÓN	SÍMBOLO	DEFINICIÓN
V	Voltios	n_0	Velocidad sin carga
A	Amperios	/min	Revoluciones o pasadas por minuto
Hz	Hertz		Corriente continua
W	vatios		Corriente alterna

Advertencias de seguridad general para herramientas eléctricas

ADVERTENCIA

- Lea todas las advertencias de seguridad y todas las instrucciones. El incumplimiento de las advertencias y las instrucciones podría provocar descargas eléctricas, incendios o lesiones graves.

Guarde todas las advertencias e instrucciones para referencia futura

El término “herramienta eléctrica” que aparece en las advertencias se refiere a la herramienta eléctrica que se conecta a la línea principal (con cable) o a la herramienta eléctrica que funciona con batería (inalámbrica).

Seguridad en el área de trabajo

- **Mantenga el área de trabajo limpia y bien iluminada.** Las áreas desordenadas u oscuras aumentan las posibilidades de accidentes.
- **No utilice herramientas eléctricas en atmósferas en las que exista riesgo de explosión, como por ejemplo en presencia de líquidos inflamables, gases o polvo.** Las herramientas eléctricas producen chispas que podrían encender el polvo o humo.
- **Mantenga a los niños y las personas cercanas alejadas durante la operación de una herramienta eléctrica.** Las distracciones pueden provocar que pierda el control.

Seguridad eléctrica

- **Los enchufes de las herramientas eléctricas deben encajar en el tomacorriente. Nunca modifique el enchufe de ninguna manera. No utilice ningún enchufe adaptador con herramientas eléctricas con puesta a tierra.** Los enchufes sin modificaciones y que encajan en los tomacorrientes reducen el riesgo de descarga eléctrica.
- **Evite el contacto del cuerpo con superficies conectadas a tierra, como tuberías, radiadores, extractores o refrigeradores.** Existe un gran riesgo de descarga eléctrica si su cuerpo tiene conexión a tierra.



INFORMACIÓN DE SEGURIDAD

- **No exponga las herramientas eléctricas a la lluvia o a condiciones de humedad.** Si ingresa agua en una herramienta eléctrica, aumentará el riesgo de descarga eléctrica.
- **No maltrate el cable. Nunca use el cable para transportar, jalar o desenchufar la herramienta eléctrica. Mantenga el cable alejado del calor, el aceite, los bordes filosos o las piezas en movimiento.** Los cables dañados o enredados aumentan el riesgo de descarga eléctrica.
- **Cuando opere una herramienta eléctrica en exteriores, use una extensión eléctrica adecuada para uso en exteriores.** El uso de un cable apto reduce el riesgo de descarga eléctrica.
- **Si debe utilizar herramientas eléctricas en un área húmeda, use un suministro protegido con un interruptor de circuito de falla de puesta a tierra (GFCI, por sus siglas en inglés).** El uso de un GFCI disminuye el riesgo de descarga eléctrica.

Seguridad personal

- **Manténgase alerta, observe lo que hace y actúe con sentido común al operar una herramienta eléctrica. No utilice una herramienta eléctrica si está cansado o bajo los efectos de drogas, alcohol o medicamentos.** Un momento de desatención mientras opera herramientas eléctricas puede provocar lesiones personales graves.
- **Use un equipo de protección personal. Use siempre lentes de protección.** Los equipos de protección, como mascarillas antipolvo, zapatos de seguridad antideslizantes, casco protector o protección auditiva, utilizados para las condiciones adecuadas, disminuyen las lesiones personales.
- **Evite un arranque accidental. Asegúrese de que el interruptor esté en la posición OFF (apagado) antes de enchufar la herramienta a una fuente de alimentación o batería, levantarla o transportarla.** Transportar herramientas eléctricas con el dedo en el interruptor o enchufar herramientas eléctricas que tienen el interruptor encendido aumenta las posibilidades de accidentes.
- **Retire todas las llaves de ajuste o llaves inglesas antes de encender la herramienta eléctrica.** Si se deja una llave inglesa o una llave conectada a una pieza giratoria de la herramienta eléctrica, se pueden producir lesiones personales.
- **No se incline demasiado. Mantenga una posición y un equilibrio adecuados en todo momento.** Esto permite un mejor control de la herramienta eléctrica en situaciones inesperadas.
- **Use ropa adecuada. No use ropa holgada ni joyas. Mantenga el cabello, la ropa y los guantes lejos de las piezas en movimiento.** La ropa holgada, las joyas o el cabello largo pueden quedar atrapados en las piezas giratorias.
- **Si se proporcionan dispositivos para la conexión de equipos de extracción y recolección de polvo, asegúrese de que se conecten y se usen debidamente.** El uso de estos dispositivos puede disminuir los peligros relacionados con el polvo.

Uso y cuidado de las herramientas eléctricas

- **No fuerce la herramienta eléctrica. Utilice la herramienta eléctrica adecuada para su aplicación.** La herramienta eléctrica adecuada realizará un trabajo más seguro y de mejor calidad al ritmo para el que fue diseñada.
- **No utilice la herramienta eléctrica si el interruptor no la enciende o apaga.** Cualquier herramienta eléctrica que no pueda controlarse con el interruptor es peligrosa y debe repararse.
- **Desconecte el enchufe de la fuente de alimentación o la batería de la herramienta eléctrica antes de realizar cualquier ajuste, cambiar accesorios o almacenar herramientas eléctricas.** Este tipo de medidas de seguridad preventivas reduce el riesgo de arranques accidentales de la herramienta eléctrica.



INFORMACIÓN DE SEGURIDAD

- **Almacene las herramientas eléctricas que no estén en uso fuera del alcance de los niños y no permita que personas no familiarizadas con la herramienta o estas instrucciones la operen.** Las herramientas eléctricas son peligrosas en manos de usuarios sin capacitación.
- **Realice mantenimiento a las herramientas eléctricas. Revise si hay desalineación o atascamiento de piezas móviles o si están rotas, así como cualquier otra condición que pueda afectar la operación de la herramienta eléctrica.** Si se daña, haga reparar la herramienta eléctrica antes de usarla. Muchos accidentes son producto del mantenimiento incorrecto de las herramientas eléctricas.
- **Mantenga las herramientas de corte afiladas y limpias.** Las herramientas de corte que se mantienen de forma adecuada, con sus bordes de corte afilados, tienen un riesgo menor de trabarse y son más fáciles de controlar.
- **Use la herramienta eléctrica, los accesorios, las brocas, etc., de acuerdo con estas instrucciones, considerando las condiciones de trabajo y el trabajo que desea realizar.** El uso de la herramienta eléctrica en operaciones distintas para las que fue diseñada podría crear una situación de peligro.

Uso y cuidado de herramientas con batería

- **Recargue solo con el cargador especificado por el fabricante.** Un cargador adecuado para un tipo de paquete de baterías puede crear un riesgo de incendio cuando se usa con otro paquete de baterías.
- **Use herramientas eléctricas solo con paquetes de baterías designados específicamente.** El uso de cualquier otro paquete de baterías puede crear un riesgo de lesión e incendio.
- **Cuando un paquete de baterías no está en uso, aléjelo de otros objetos metálicos, como sujetapapeles, monedas, llaves, clavos, tornillos u otros objetos metálicos pequeños que pudieran crear una conexión entre los terminales.** Es posible que una conexión entre los terminales produzca quemaduras o un incendio.
- **En condiciones de maltrato, es posible que salga líquido de la batería; evite el contacto. Si se produce un contacto accidental, enjuague con agua. Si el líquido entra en contacto con los ojos, además de esto, solicite atención médica.** El líquido que sale de la batería puede provocar irritación o quemaduras.

Reparación

- **Permita que solo una persona capacitada repare la herramienta eléctrica, utilizando solo piezas de repuesto idénticas.** Esto mantendrá la seguridad de la herramienta eléctrica.

Advertencias específicas de seguridad para llave de percusión

- **Sostenga las herramientas eléctricas por las áreas de agarre aisladas al realizar una operación en la que el accesorio de corte pueda entrar en contacto con cableado oculto o con su propio cable.** El contacto con un alambre “vivo” podría hacer que las piezas metálicas expuestas de la herramienta eléctrica también lo estén y el operador sufrirá una descarga.
- Utilice protectores para los oídos cuando realice una perforación de impacto. La exposición al ruido puede causar la pérdida de la audición.
- Asegure la pieza de trabajo. Sostenga la pieza de trabajo en su lugar con abrazaderas o una prensa de tornillo, esto es mejor y más seguro que sostenerla con la mano.
- Siempre espere hasta que la herramienta se detenga por completo antes de colocarla hacia abajo. El accesorio de la herramienta se puede atascar y provocar la pérdida de control sobre la herramienta eléctrica.

INFORMACIÓN DE SEGURIDAD

- Antes de realizar cualquier tipo de trabajo en la herramienta (por ejemplo: Mantenimiento, cargar la herramienta, etc.), al igual que al transportarla o almacenarla, siempre gire el interruptor de dirección de rotación a la posición central. La activación accidental del interruptor de encendido/apagado podría ocasionar lesiones personales.
- Cuando trabaje con la herramienta eléctrica, siempre sosténgala firmemente con ambas manos y adopte una posición segura. Es más seguro guiar la herramienta eléctrica con ambas manos.

PREPARACIÓN

Conozca su llave de percusión eléctrico

Antes de intentar usar el llave de percusión eléctrico, familiarícese con todas sus características de operación y requisitos de seguridad.

Herramienta útil (no se incluyen): Llave de percusión Phillips.

ADVERTENCIA

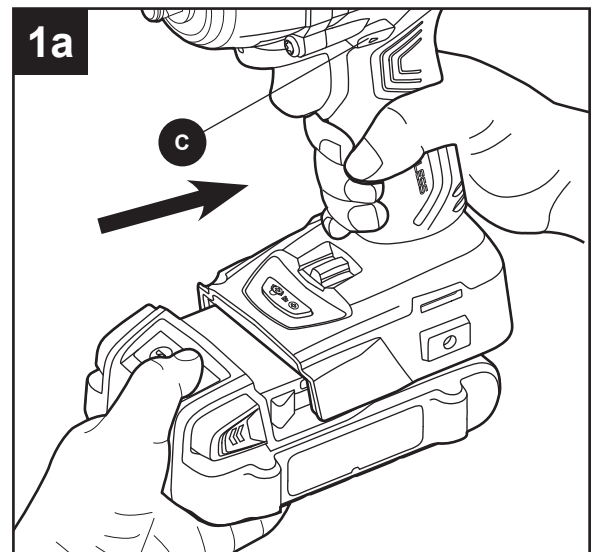
- No permita que la familiaridad con el llave de percusión eléctrico lo vuelva descuidado. Recuerde que un momento de descuido es suficiente para causar lesiones graves. Antes de intentar utilizar cualquier herramienta, asegúrese de familiarizarse con todas las funciones de operación e instrucciones de seguridad.
- No intente modificar esta herramienta ni crear accesorios que no sean los recomendados para esta. Cualquier alteración o modificación es considerada un mal uso y podría causar una condición peligrosa que podría conllevar lesiones personales graves.

INSTRUCCIONES DE FUNCIONAMIENTO

1. Para fijar el paquete de baterías

- a. Coloque el selector de dirección de rotación (C) en la posición central (de bloqueo).
- b. Alinee la parte elevada del paquete de baterías con las ranuras de la parte inferior de la herramienta y luego deslice el paquete de baterías en la herramienta, como se muestra.
- c. Asegúrese de que los botones de liberación de la batería del paquete de baterías encajen en su lugar y que el paquete de baterías esté fijo en la herramienta antes de comenzar la operación.

AVISO: Al colocar el paquete de baterías en la herramienta, asegúrese de que la varilla elevada del paquete de baterías se alinee con la ranura de la herramienta y que los pestillos encajen en su lugar adecuadamente. El ensamblaje inadecuado del paquete de baterías puede provocar daños a los componentes internos.



INSTRUCCIONES DE FUNCIONAMIENTO

Para liberar el paquete de baterías

- Coloque el selector de dirección de rotación (C) en la posición central (de bloqueo).
- Presione los botones de liberación de la batería para liberar el paquete de baterías.
- Jale el paquete de baterías hacia delante para retirar la batería de la herramienta.

ADVERTENCIA

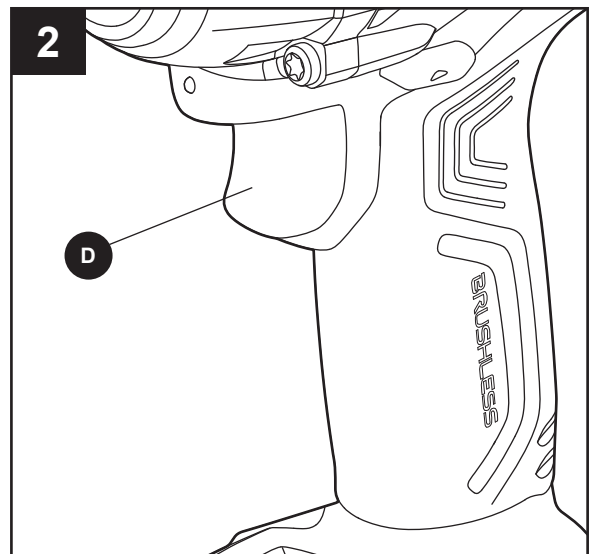
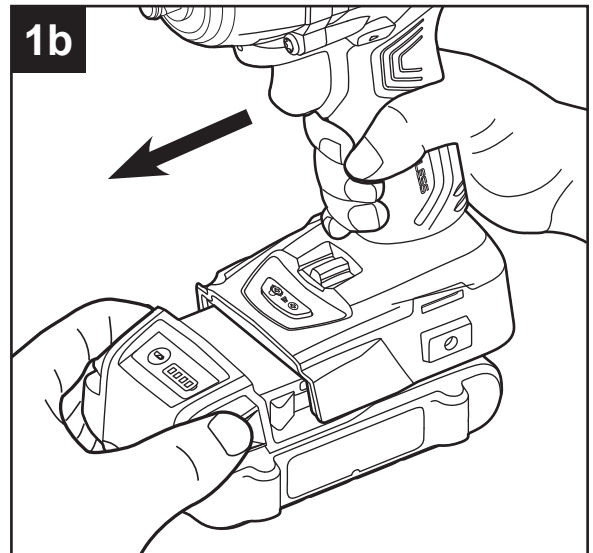
- Las herramientas con batería siempre están en condiciones de operación. Por lo tanto, el selector de dirección de rotación siempre debe estar bloqueado (al centro) cuando la herramienta no se encuentre en uso o al transportar la herramienta a su costado.

2. Interruptor de gatillo de velocidad variable

- Presione el interruptor de gatillo de velocidad variable (D) para encender el llave de percusión eléctrico.
- Para apagarlo, suelte el interruptor de gatillo de velocidad variable.
- El interruptor de gatillo de velocidad variable proporciona mayor velocidad con mayor presión en el gatillo y menor velocidad con menor presión en el gatillo.

Freno eléctrico

El llave de percusión eléctrico está equipado con un freno eléctrico. Al soltar el interruptor de gatillo (D), se activará automáticamente el freno eléctrico para detener rápidamente la rotación.



INSTRUCCIONES DE FUNCIONAMIENTO

3. Selector de dirección de rotación (Adelante /Bloqueo central/Atrás)

La dirección de rotación de la broca es reversible y se controla mediante el selector ubicado sobre el interruptor de gatillo. Con el llave de percusión eléctrico sostenido en la posición de operación normal, apuntando en dirección opuesta a usted:

- Coloque el selector de dirección de rotación (C) a la izquierda de la herramienta para que gire hacia adelante.
- Coloque el selector de dirección de rotación a la derecha de la herramienta para que gire en reversa.
- Fijar el selector en la posición central (de bloqueo) ayuda a reducir la posibilidad de arranque accidental cuando no se está usando.



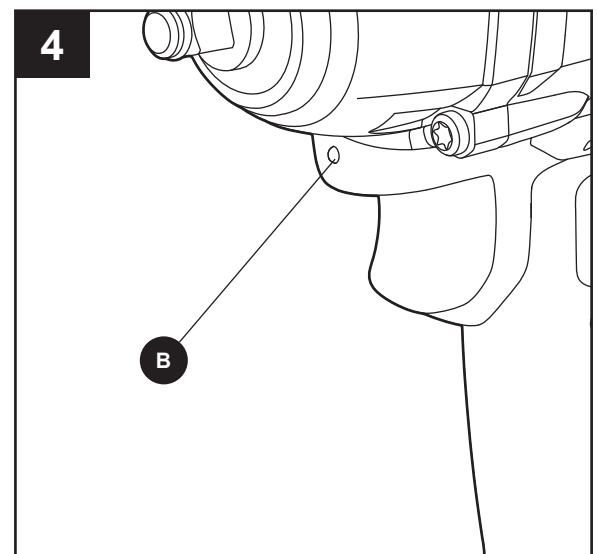
AVISO: Para evitar el daño en las velocidades, siempre deje que el llave de percusión eléctrico se detenga por completo antes de cambiar la dirección de la rotación.

AVISO: El llave de percusión eléctrico no funciona a menos que el selector de dirección de rotación esté completamente posicionado a la izquierda o la derecha.

4. Luz de trabajo LED

La luz de trabajo LED (B), ubicada sobre el interruptor de gatillo de velocidad variable (D) en el llave de percusión eléctrico, se iluminará al presionar el interruptor de gatillo de velocidad variable. Esto brinda más iluminación en la superficie de la pieza de trabajo para usar la herramienta en áreas con poca iluminación. La luz se apagará automáticamente por aproximadamente 10 segundos luego de que suelte el interruptor de gatillo.

- La luz de trabajo con bombilla LED titilará con rapidez si la herramienta deja de funcionar para proteger los circuitos internos; espere a que la herramienta se enfríe para que pueda volver a funcionar.
- La luz de trabajo con bombilla LED titilará más lento para indicar que el nivel de batería está muy bajo.



INSTRUCCIONES DE FUNCIONAMIENTO

5. Selector de velocidad

El llave de percusión eléctrico tiene un selector de velocidad (F) ubicado en la base, para seleccionar entre tres gamas diferentes de velocidad variable (consulte la sección de **especificaciones**).

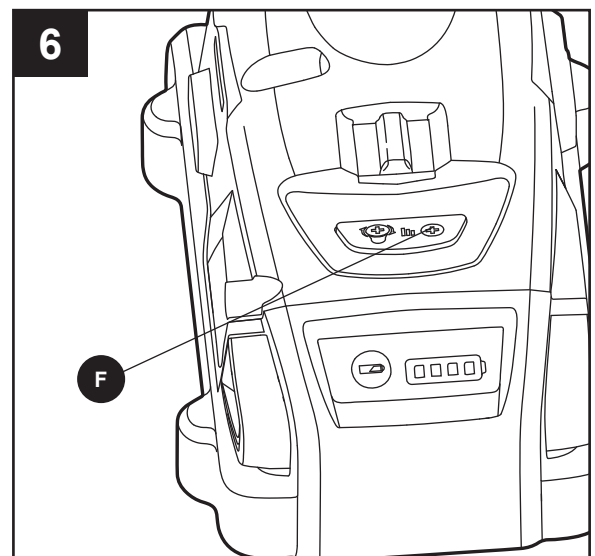
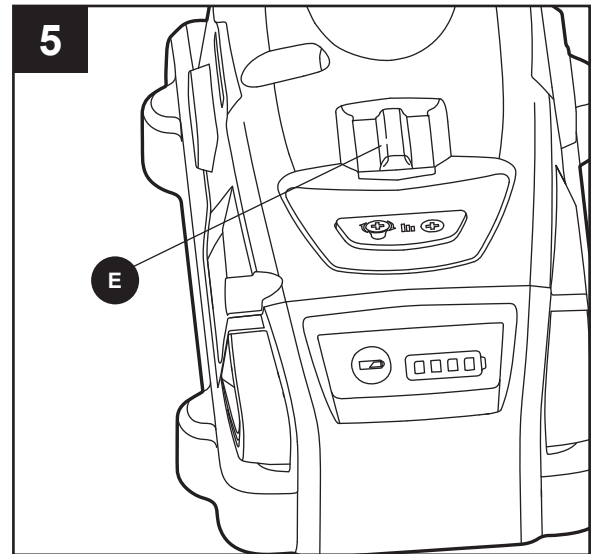
- 1: El llave de percusión eléctrico proporciona velocidad y fuerza de torsión mínimas.
- 2: El llave de percusión eléctrico proporciona velocidad y fuerza de torsión medias.
- 3: El llave de percusión eléctrico proporciona velocidad y fuerza de torsión máximas.

AVISO: No cambie la gama de velocidades mientras la herramienta está en funcionamiento. La gama de velocidades no cambiará hasta que suelte el interruptor de gatillo de velocidad variable.

6. Modalidad de acabado

Con la modalidad de acabado se tiene un mejor control de la acción de impacto y es útil, ya que el cabezal del sujetador se acerca al nivel de la pieza de trabajo. En la modalidad de acabado, cada vez que se presione sucesivamente el interruptor de gatillo de velocidad variable (D), se producirá una explosión de muy corto impacto. El botón de finalización (E) se ubica en la base de la herramienta.

- a. Para activar la modalidad de acabado, asegúrese de que haya una batería correctamente conectada a la herramienta, suelte el interruptor de gatillo de velocidad variable para encender la herramienta y luego presione el botón de acabado. La luz verde en el botón de acabado se iluminará para indicar que la modalidad de acabado está activada.
- b. La modalidad de acabado se puede activar y desactivar por aproximadamente 15 minutos luego de la última vez que suelte del gatillo de velocidad variable.
- c. Si pasaron más de 15 minutos, repita el proceso que se describe anteriormente para activar la modalidad de acabado.



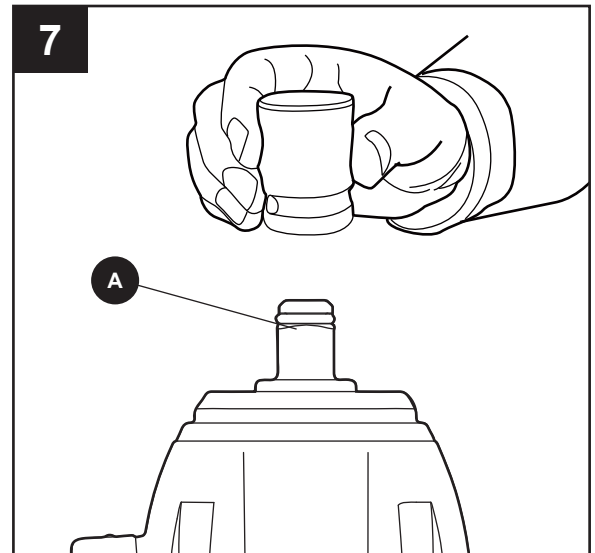
INSTRUCCIONES DE FUNCIONAMIENTO

7. Cómo instalar y retirar el dado

- Coloque el selector de dirección de rotación (C) en la posición central (bloqueo).
- Para instalar un dado de 3/8 in. (no se incluye), simplemente empújelo por completo dentro del yunque cuadrado (A).
- Para retirar el dado simplemente jálelo.

! ADVERTENCIA

- Solo utilice dados diseñados para llaves de percusión. Los dados que no están diseñados para llaves de percusión pueden romperse y ocasionarle lesiones. Revise los dados antes de utilizarlos para asegurarse de que no presentan fisuras u otros daños visibles.
- Use guantes protectores al retirar el dado de la herramienta o primero déjelo que se enfríe. Es posible que el dado esté caliente después de un uso prolongado.



8. Cómo apretar los sujetadores con la llave de percusión

! ADVERTENCIA

- Las herramientas con batería siempre están en condiciones de operación. Por lo tanto, el selector de dirección de rotación siempre debe estar bloqueado cuando la herramienta no se encuentre en uso o cuando la lleva consigo.

El torque de sujeción adecuado puede variar según el tipo y el tamaño del perno, el material de la pieza de trabajo, etc. Antes de comenzar el trabajo, siempre realice una operación de prueba para determinar el tiempo de sujeción adecuado para cada perno o tuerca.

- Verifique que el selector de dirección de rotación (C) esté en la configuración correcta (hacia delante o en reversa).
- Seleccione la modalidad de acabado según sea necesario, de acuerdo con la pieza de trabajo.
- Seleccione la velocidad adecuada y el rango de torque para la aplicación. Se recomienda hacer una prueba en material desechable para determinar la selección.
- Sostenga la herramienta con firmeza y coloque el dado sobre el perno o tuerca.
- Presione el interruptor de gatillo de velocidad variable (D) para encender la llave de percusión. El interruptor de gatillo de velocidad variable proporciona mayor velocidad con mayor presión en el gatillo y menor velocidad con menor presión en el gatillo.
- Apriete el perno o la tuerca usando el torque adecuado.
- Para apagar la llave de percusión, suelte el interruptor de gatillo de velocidad variable.
- Después de apretar, siempre verifique el torque con una llave de torque.

AVISO: Mantenga la herramienta perpendicular al eje del perno o tuerca.

AVISO: Un torque de sujeción excesivo puede dañar el perno, la tuerca o el dado.

Practique con varios sujetadores, fijándose en la cantidad de tiempo que se requiere para alcanzar el torque deseado. Verifique la sujeción con una llave de torque. Si los sujetadores están muy apretados, reduzca el tiempo de percusión. Si no están lo suficientemente apretados, aumente el tiempo de percusión.

INSTRUCCIONES DE FUNCIONAMIENTO

El torque de sujeción puede verse afectado por una amplia variedad de factores, como los que se describen a continuación:

- Dado
 - Si no se utilizan dados del tamaño correcto, se reducirá el torque de sujeción. Un dado desgastado (con desgaste en el extremo hexagonal o en el extremo recto) reducirá el torque de sujeción.
- Perno
 - Aunque el coeficiente de torque y la clase de perno sean iguales, el torque de sujeción adecuado variará según el diámetro del perno. Aunque los diámetros de los pernos sean iguales, el torque de sujeción adecuado variará según el coeficiente de torque y el tipo y el largo del perno.
- El uso de una junta universal o una barra de extensión (se venden por separado) reducirá en cierta medida la fuerza de sujeción de la llave de percusión. Para compensar la pérdida de torque, apriete los sujetadores por más tiempo.
- La manera de sostener la herramienta o el material afectará al torque.

Cómo aflojar los sujetadores

El torque que se requiere para aflojar un sujetador corresponde en promedio entre un 75% y 80% del torque de sujeción, según la condición de las superficies de contacto. Sin embargo, si el óxido o la corrosión hacen que la herramienta se trabe, puede que sea necesario utilizar un torque mayor.

CUIDADO Y MANTENIMIENTO



Solo un técnico calificado puede llevar a cabo el mantenimiento.

Limpieza

Antes de limpiar o realizar cualquier mantenimiento, retire el paquete de baterías de la llave de percusión. Para una operación segura y adecuada, siempre mantenga limpia la herramienta y las ranuras de ventilación.

Siempre use solamente un paño suave y seco para limpiar la llave de percusión; nunca use detergente ni alcohol.

SOLUCIÓN DE PROBLEMAS



ADVERTENCIA

- Coloque el interruptor en la posición "OFF" y retire el paquete de baterías de la llave de percusión antes de realizar los procedimientos de solución de problemas.

PROBLEMA	CAUSA POSIBLE	ACCIÓN CORRECTIVA
La llave de percusión no funciona.	El paquete de baterías está agotado.	Cargue el paquete de baterías.
No se puede instalar el dado.	El dado no encaja en el manguito.	Utilice el adaptador o dado de capacidad adecuado.
El motor está demasiado caliente.	Asegúrese de que los orificios de enfriamiento estén libres de polvo y obstáculos.	Limpie los orificios. No cubra los orificios con la mano durante el funcionamiento.
La luz de trabajo con bombilla LED titila con rapidez.	La herramienta ha dejado de funcionar para proteger los circuitos internos.	Suelte el interruptor de gatillo, espere a que la herramienta se enfríe y luego enciéndala de nuevo.
La luz de trabajo con bombilla LED titila con lentitud.	El nivel de batería está muy bajo.	Cargue la batería.

GARANTÍA

El llave de percusión eléctrico está garantizado contra defectos de fabricación en materiales y mano de obra por 5 años desde la fecha de compra para el comprador original. Esta garantía no cubre daños por el abuso, desgaste normal, mantenimiento inadecuado, negligencia, reparación/ alteración no autorizada o piezas fungibles y accesorios que se esperan que sean inutilizables después de un período de uso razonable.

Si cree que este producto cumple con la garantía mencionada arriba, devuelva el producto al lugar donde lo compró con un comprobante de compra válido y el producto defectuoso se reparará o reemplazará sin cargo. Esta garantía le otorga derechos legales específicos, pero también podría tener otros derechos que varían según el estado.

Impreso en China

KOBALT® y K Design® son marcas registradas de LF, LLC. Todos los derechos reservados.

kobalttools.com **KOBALT**