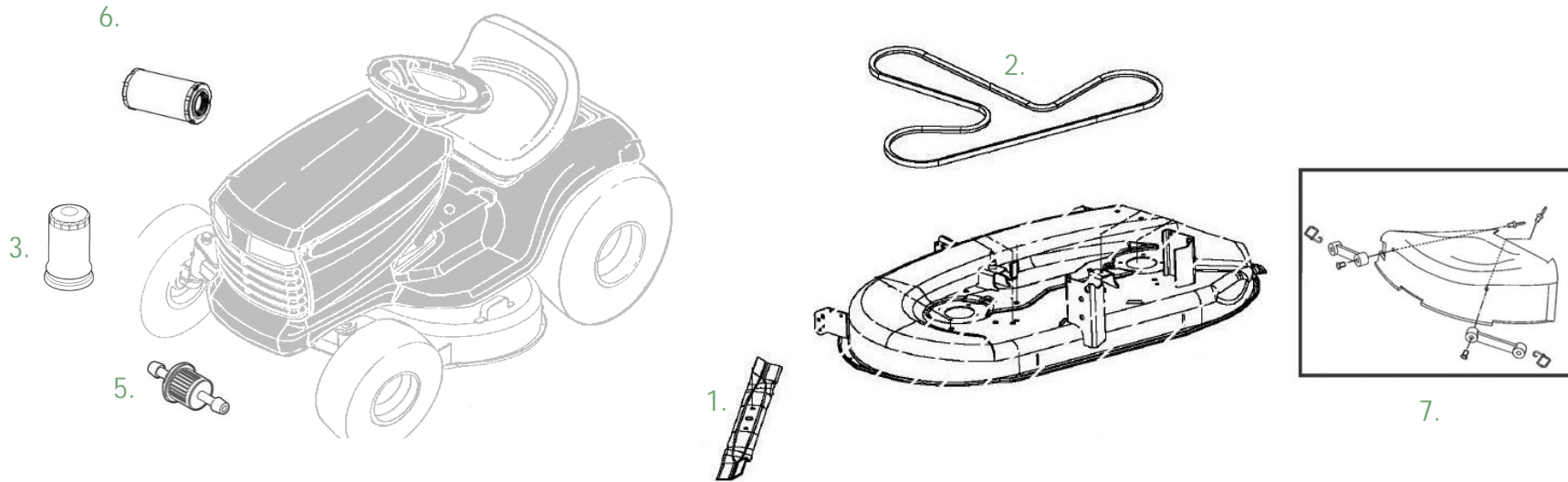


John Deere S130 Lawn Tractor

Parts and Maintenance Information



| Key | Description | Part Number | Lowe's Item # |
|-----|------------------------------|-------------|---------------|
| 1. | 42-inch Mower Blade (2-pack) | GY20850 | 228460 |
| 2. | 42-inch Mower Deck Belt | GX20072 | 228871 |
| 3. | John Deere Easy Change™ | AUC12916 | 924091 |
| 4. | Oil – As Needed | TY22029 | 48763 |
| 5. | Fuel Filter | GY20709 | 228878 |
| 6. | Air Filter | GY21435 | 336262 |
| 7. | Mulch Cover | GY00115 | 228462 |

John Deere S130 Lawn Tractor

Parts and Maintenance Information

- Service Intervals

| After 8 Hours | Yearly or Every 50 Hours (Whichever Comes First) |
|---|--|
| Lubricate mower spindles and pivot points. | Change engine oil & replace filter. (Service more frequently under dusty conditions.) |
| Check mower deck spindle brakes (Manual PTO) | Clean/replace air filter precleaner & element. (Service more frequently under dusty conditions.) |
| Lubricate front axle pivot and axle spindles. | Replace fuel filter. |
| Lubricate front axle wheel bushings. | Sharpen/replace mower blades. |
| Every 25 Hours | Check/replace mower drive belt. |
| Lubricate mower spindles and pivot points. | Every 200 Hours |
| Lubricate front axle pivot and axle spindles. | Check/adjust valve clearance. See your John Deere dealer for this service. |
| Lubricate front axle wheel bushings. | |

For complete parts information for 100 Series Tractors: Visit your local John Deere Dealer or www.Deere.com

*Refer to Operators Manual for a complete listing of service intervals.