

If you have questions or comments, contact us.  
 Pour toute question ou tout commentaire, nous contacter.  
 Si tiene dudas o comentarios, contáctenos.

1-800-4-DEWALT • www.dewalt.com

INSTRUCTION MANUAL  
 GUIDE D'UTILISATION  
 MANUAL DE INSTRUCCIONES

INSTRUCTIVO DE OPERACIÓN, CENTROS DE SERVICIO Y PÓLIZA  
 DE GARANTÍA. ADVERTENCIA: LEASE ESTE INSTRUCTIVO ANTES  
 DE USAR EL PRODUCTO.

# DEWALT®

D28715 Heavy-Duty 14" (355 mm) Chop Saw with Quick-Change Clamp  
 Scie fendeuse robuste D28715, 355 mm (14 po) dotée d'une bride à Attache Rapide  
 (Quick-Change)

Sierra trozadora con abrazadera de Cambio Rápido (Quick-Change) de 355 mm (14") para  
 trabajo pesado D28715

DEWALT Industrial Tool Co., 701 Joppa Road, Baltimore, MD 21286

(AUG08) Part No. N014387 D28715 Copyright © 2006, 2008 DEWALT

The following are trademarks for one or more DEWALT power tools: the yellow and black color scheme; the "D" shaped air intake grill; the array of pyramids on the handgrip; the kit box configuration; and the array of lozenge-shaped humps on the surface of the tool.

IF YOU HAVE ANY QUESTIONS OR COMMENTS ABOUT THIS OR ANY DEWALT TOOL, CALL US TOLL FREE AT: 1-800-4-DEWALT (1-800-433-9258)

### Definitions: Safety Guidelines

The definitions below describe the level of severity for each signal word. Please read the manual and pay attention to these symbols.

**▲DANGER:** Indicates an imminently hazardous situation which, if not avoided, will result in death or serious injury.

**▲WARNING:** Indicates a potentially hazardous situation which, if not avoided, could result in death or serious injury.

**▲CAUTION:** Indicates a potentially hazardous situation which, if not avoided, may result in minor or moderate injury.

**CAUTION:** Used without the safety alert symbol indicates a potentially hazardous situation which, if not avoided, may result in property damage.

### Important Safety Instructions

**▲WARNING:** Read and understand all instructions. Failure to follow all instructions listed below may result in electric shock, fire and/or serious personal injury.

#### SAVE THESE INSTRUCTIONS

- **KEEP GUARDS IN PLACE** and in working order.
- **REMOVE ADJUSTING KEYS AND WRENCHES.** Form habit of checking to see that keys and adjusting wrenches are removed from tool before turning it on.
- **KEEP WORK AREA CLEAN.** Cluttered areas and benches invite injuries.
- **DON'T USE IN DANGEROUS ENVIRONMENT.** Don't use power tools in damp or wet locations, or expose them to rain. Keep work area well lighted.
- **KEEP CHILDREN AWAY.** All visitors should be kept at a safe distance from work area.
- **MAKE WORKSHOP KID PROOF** with padlocks, master switches, or by removing starter keys.
- **DON'T FORCE TOOL.** It will do the job better and safer at the rate for which it was designed.
- **USE RIGHT TOOL.** Don't force tool or attachment to do a job for which it was not designed.
- **USE PROPER EXTENSION CORD.** Make sure your extension cord is in good condition. When using an extension cord, be sure to use one heavy enough to carry the current your product will draw. An undersized cord will cause a drop in line voltage resulting in loss of power and overheating. The following table shows the correct size to use depending on cord length and nameplate ampere rating. If in doubt, use the next heavier gauge. The smaller the gauge number, the heavier the cord.

Ampere Rating		Minimum Gauge for Cord Sets				
		Volts	Total Length of Cord in Feet (meters)			
More Than	Not More Than	120V	25 (7.6)	50 (15.2)	100 (30.5)	150 (45.7)
		240V	50 (15.2)	100 (30.5)	200 (61.0)	300 (91.4)
		AWG				
0	6		18	16	16	14
6	10		18	16	14	12
10	12		16	16	14	12
12	16		14	12	Not Recommended	

- **WEAR PROPER APPAREL.** Do not wear loose clothing, neckties, rings, bracelets, or other jewelry which may get caught in moving parts. Nonslip footwear is recommended. Wear protective hair covering to contain long hair. Air vents often cover moving parts and should also be avoided.
- **ALWAYS USE SAFETY GLASSES** which meet the ANSI Z87.1 requirements. Also use face or dust mask if cutting operation is dusty. Everyday eyeglasses only have impact resistant lenses, they are not safety glasses.
- **SECURE WORK.** Use clamps or a vise to hold work. It's safer than using your hand and it frees both hands to operate tool.

- **DON'T OVERREACH.** Keep proper footing and balance at all times.
- **MAINTAIN TOOLS WITH CARE.** Keep tools sharp and clean for best and safest performance. Follow instructions for lubricating and changing accessories.
- **DISCONNECT TOOLS** before servicing; when changing accessories, such as blades, bits, cutters, and the like.
- **REDUCE THE RISK OF UNINTENTIONAL STARTING.** Make sure switch is in off position before plugging in.
- **USE RECOMMENDED ACCESSORIES.** Consult the instruction manual for recommended accessories. The use of improper accessories may cause risk of injury to persons.
- **NEVER STAND ON TOOL.** Serious injury could occur if the tool is tipped or if the cutting tool is unintentionally contacted.
- **CHECK DAMAGED PARTS.** Before further use of the tool, a guard or other part that is damaged should be carefully checked to determine that it will operate properly and perform its intended function — check for alignment of moving parts, binding of moving parts, breakage of parts, mounting, and any other conditions that may affect its operation. A guard or other part that is damaged should be properly repaired or replaced.
- **NEVER LEAVE TOOL RUNNING UNATTENDED. TURN POWER OFF.** Don't leave tool until it comes to a complete stop.
- **REPLACEMENT PARTS.** When servicing use only identical replacement parts.
- **TO REDUCE THE RISK OF ELECTRIC SHOCK:**
  - This equipment may have a polarized plug (one blade is wider than the other.) This plug will fit in a polarized outlet only one way. If the plug does not fit, contact a qualified electrician to install the proper outlet.
  - The tool may be equipped with a 3-prong grounding type plug. This plug is to be used in a grounded outlet only. If the plug does not fit, contact a qualified electrician to install the proper outlet.
  - Do not alter the plug in any way.

### Additional Safety Rules for Chop Saw

- **Always wear proper eye and respiratory protection.**
- **Before using, inspect the cutting wheel for cracks or flaws. If such a crack or flaw is evident, discard the wheel. The wheel should also be inspected whenever you think the tool may have been dropped. Flaws may cause wheel breakage.**
- **When starting the tool with a new or replacement wheel or if you are unsure of the condition of the wheel, hold the tool in a well protected area and let it run for one minute. If the wheel has an undetected crack or flaw, it should burst in less than one minute. Never start the tool with a person in line with the wheel. This includes the operator.**
- **In operation, avoid bouncing the wheel or giving it rough treatment. If this occurs, stop the tool and inspect the wheel for cracks or flaws.**
- **NEVER have any part of your body in line with the path of the saw blade. Personal injury will occur.**
- Clean your chop saw periodically following the procedure in this manual.
- Do not remove wheel guards or base.
- **ALWAYS USE THE VISE OR SPECIAL FIXTURE TO CLAMP WORK SECURELY.** Other aids such as spring, bar, or C-clamps may be appropriate for certain sizes and shapes of workpiece. Use care in selecting and placing these clamps and make a dry run before making a cut.
- Use only 14" type 1 wheels rated at 4100 rpm or higher.
- Allow cut off parts to cool before handling.
- Do not attempt to cut wood or plastic with this tool.
- **NEVER CUT MAGNESIUM WITH THIS TOOL.**
- Use chop saw in a well-ventilated area.
- Turn chop saw off before removing any pieces from the base.
- **DO NOT CUT ELECTRICALLY LIVE MATERIAL.**
- **Do not use circular saw blades or any other toothed blades with this tool. Serious injury may result.**
- **DO NOT OPERATE THIS TOOL NEAR FLAMMABLE LIQUIDS, GASES OR DUST.** Sparks or hot chips from cutting or arcing motor brushes may ignite combustible materials.
- Do not use the side of the abrasive wheel as a deburring grinder. This will substantially weaken the wheel creating an unsafe condition. The wheel may come apart.

**▲WARNING:** Some dust created by power sanding, sawing, grinding, drilling, and other construction activities contains chemicals known to cause cancer, birth defects or other reproductive harm. Some examples of these chemicals are:

- lead from lead-based paints,
- crystalline silica from bricks and cement and other masonry products, and
- arsenic and chromium from chemically-treated lumber.

Your risk from these exposures varies, depending on how often you do this type of work. To reduce your exposure to these chemicals: work in a well ventilated area, and work with approved safety equipment, such as those dust masks that are specially designed to filter out microscopic particles.

- **Avoid prolonged contact with dust from power sanding, sawing, grinding, drilling, and other construction activities. Wear protective clothing and wash exposed areas with soap and water.** Allowing dust to get into your mouth, eyes, or lay on the skin may promote absorption of harmful chemicals.

**▲WARNING:** Use of this tool can generate and/or disburse dust, which may cause serious and permanent respiratory or other injury. Always use NIOSH/OSHA approved respiratory protection appropriate for the dust exposure. Direct particles away from face and body.

**▲WARNING: ALWAYS USE SAFETY GLASSES.** Everyday eyeglasses are NOT safety glasses. Also use face or dust mask if cutting operation is dusty. ALWAYS wear certified safety equipment:

- ANSI Z87.1 eye protection (CAN/CSA Z94.3)
- ANSI S12.6 (S3.19) hearing protection
- NIOSH/OSHA/MSHA respiratory protection.

**▲CAUTION: Wear appropriate hearing protection during use.** Under some conditions and duration of use, noise from this product may contribute to hearing loss.

**▲CAUTION: Spark deflector will get hot. Avoid touching or adjusting while hot. Keep cordset and materials away from spark deflector.**

• The label on your tool may include the following symbols. The symbols and their definitions are as follows:

V..... volts	A ..... amperes
Hz..... hertz	W ..... watts
min ..... minutes	~ ..... alternating current
—..... direct current	n <sub>0</sub> ..... no load speed
Ⓢ..... Class I Construction (grounded)	Ⓢ ..... earthing terminal
Ⓢ..... Class II Construction (double insulated)	▲..... safety alert symbol
BPM..... beats per minute	.../min..... revolutions or reciprocation per minute

For your convenience and safety, the following warnings are on your Heavy-Duty 14" (355 mm) Chop Saw:

- **FOR SAFE OPERATION READ THE INSTRUCTION MANUAL. DO NOT USE TOOTHED BLADES. USE ONLY REINFORCED WHEELS RATED 4100 RPM OR HIGHER. WHEN SERVICING USE ONLY IDENTICAL REPLACEMENT PARTS. ALWAYS: WEAR EYE PROTECTION, USE GUARDS, CLAMP WORK IN VISE, USE PROPER RESPIRATORY PROTECTION. DO NOT EXPOSE TO RAIN OR USE IN DAMP LOCATIONS.**

### Features (Fig. 1, 7)

- |                          |                             |
|--------------------------|-----------------------------|
| A. Lock pin              | J. Wheel                    |
| B. Spark deflector screw | K. Spark guard              |
| C. Spark deflector       | L. Wheel lock lever         |
| D. Base                  | M. Trigger switch           |
| E. Fence                 | N. Padlock hole             |
| F. Vise                  | O. Extra blade bolt         |
| G. 8mm Allen wrench      | P. Extra blade bolt washer  |
| H. Crank                 | Q. Quick-Change blade clamp |
| I. Vise lever            |                             |

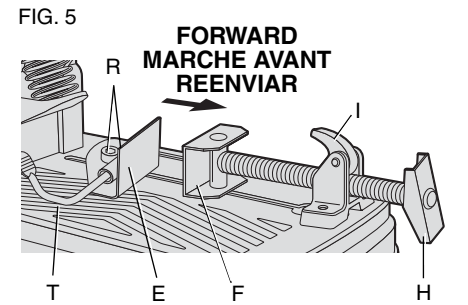
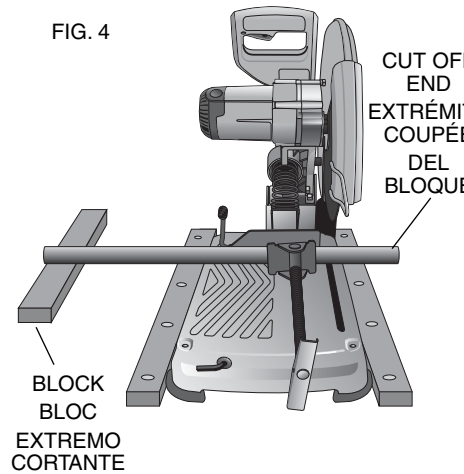
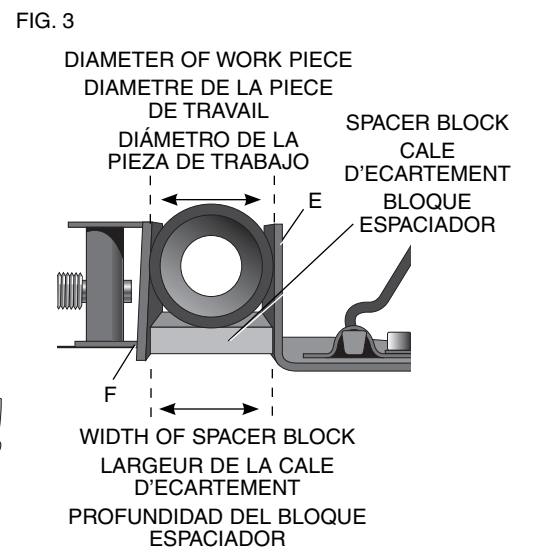
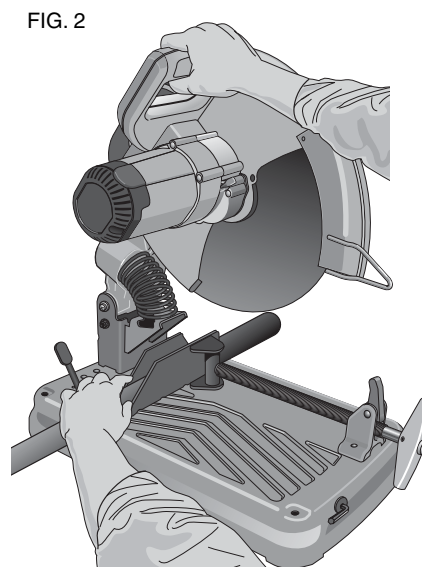
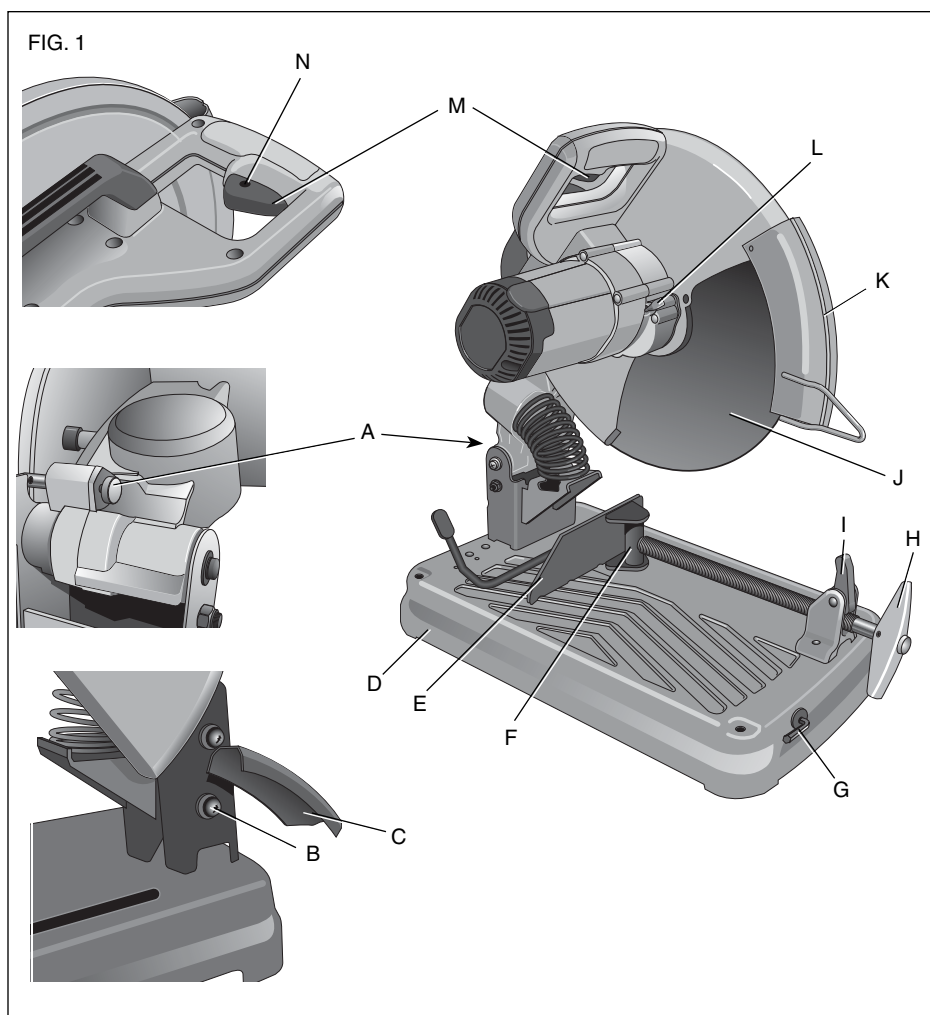
### Power Supply

Be sure your power supply agrees with the nameplate marking. 120 volts, "60 Hz" means alternating current (normal 120 volt, 60 Hz house current).

A voltage decrease of more than 10% will cause a loss of power and overheating.

### Cutting Capacity

The wide vise opening and high pivot point provide cutting capacity for many large pieces. Use the cutting capacity chart to determine total maximum size of cuts that can be made with a new wheel.



**CAUTION: CERTAIN LARGE, CIRCULAR OR IRREGULARLY SHAPED OBJECTS MAY REQUIRE ADDITIONAL HOLDING MEANS IF THEY CANNOT BE HELD SECURELY IN VISE.**  
**CAUTION: DO NOT CUT MAGNESIUM WITH THIS TOOL.** Damage to the saw and personal injury may result.

#### MAXIMUM CUTTING CAPACITY

**NOTE:** Capacity shown on chart assumes no wheel wear and optimum fence position.

Cutting Angle	Workpiece Shape			
90°	5" 127 mm	4.7" 119.4 mm	4.5" x 6.5" 114 x 165 mm 3" x 9" 76 x 228.6 mm	5.6" 142.2 mm

#### Standard Equipment

- 1 14" (355 mm) metal cutting abrasive wheel
- 1 Allen wrench
- 1 Instruction manual

#### To Carry (Fig. 1)

Fold down unit to position where you can carry the saw. Push in lock pin (A) to lock arm down.

#### Unlocking (Fig. 1)

To unlock tool and raise head, depress motor arm slightly and pull lock pin (A) out. Motor arm will then pivot upward.

#### Material Clamping and Supporting

- Angles are best clamped and cut with both legs resting against base.
- A spacer block slightly narrower than the workpiece can be used to increase wheel utilization (Fig. 3).
- Long workpieces must be supported by a block so it will be level with top of base (Fig. 4). The cut-off end should be free to fall downward to avoid wheel binding.

#### Spark Deflector Adjustment (Fig. 1)

To best deflect sparks away from surrounding persons and materials, loosen the screw (B), adjust the spark deflector (C) and then retighten screw.

**CAUTION:** Risk of property damage. Do not allow cordset to come into contact with deflector or sparks as damage to cordset may occur.

#### Vise Operation (Fig. 5)

The vise has a quick travel feature. To release the vise (F) when it is clamped tightly, turn the crank (H) counterclockwise one or two times to remove clamping pressure. Lift the vise lever (I) up. Pull crank assembly out as far as desired. The vise may be shoved into work without cranking. Lower vise lever then tighten vise on work by using crank.

#### Fence Operation (Fig. 5)

**WARNING:** To reduce the risk of injury, turn unit off and disconnect machine from power source before installing and removing accessories, before adjusting or changing set-ups or when making repairs. Be sure the trigger switch is in the OFF position. An accidental start-up can cause injury.

The fence (E) requires no tools to adjust. The quick-release clamp lever (T) unlocks and locks the fence. When the lever is rotated fully forward, the fence is unlocked. The fence can then be freely moved forward, backward or rotated to allow for the best cutting position for a new wheel and as the wheel wears.

Rotating the lever fully to the rear locks the fence in position selected. If the bottom leg of the lever is not horizontal (parallel to the base), the fence is not locked. Lever will only lock fence when there is strong resistance to moving it to rear. If resistance is light, adjust clamping force by tightening slightly the two bolts (R) holding the fence to the base. Test by reclamping and attempt to move fence.

#### Fence Angle Adjustment (Fig. 6)

**WARNING:** To reduce the risk of injury, turn unit off and disconnect machine from power source before installing and removing accessories, before adjusting or changing set-ups or when making repairs. Be sure the trigger switch is in the OFF position. An accidental start-up can cause injury.

The angle adjustment indicator is part of fence clamping system. Align the desired angle indicator line with the edge of the slot in base.

#### FOR A MORE ACCURATE SQUARE CUT

1. Unlock the fence.
2. Push the arm down until the wheel extends into the base.
3. Place a square against the wheel and adjust the fence against the square.
4. Lock the fence into position.

#### Usage (Fig. 1, 2)

Refer to Figure 2 for proper body positioning during use.

To start the tool, depress the trigger switch (M). To turn the tool off, release the trigger switch. Keep hands and material from wheel until it has coasted to a stop.

To prevent unauthorized use of tool, install a standard padlock (not included) into the padlock hole (N) located in the trigger.

#### Removal and Installation of Wheels (Fig. 7)

**WARNING:** To reduce the risk of injury, turn unit off and disconnect machine from power source before installing and removing accessories, before adjusting or changing set-ups or when making repairs. Be sure the trigger switch is in the OFF position. An accidental start-up can cause injury.

The Quick-Change blade clamp requires no tools to change the blade.

1. Push in wheel lock lever (L) and rotate wheel (J) by hand until wheel lock lever engages slot in inside flange (S) to lock wheel. Loosen the Quick-Change blade clamp (Q) counterclockwise. Clamp has right-hand thread.
2. Remove the Quick-Change blade clamp (Q), blade clamp washer (U) and old wheel (J) by hand.

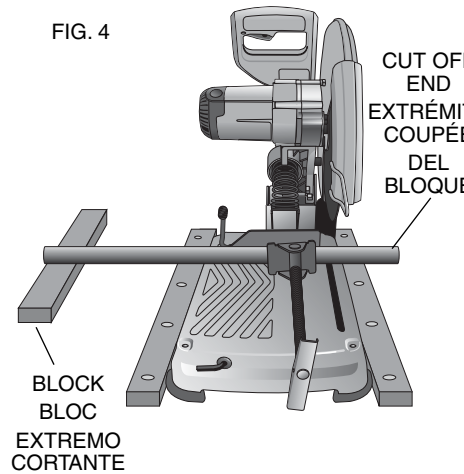
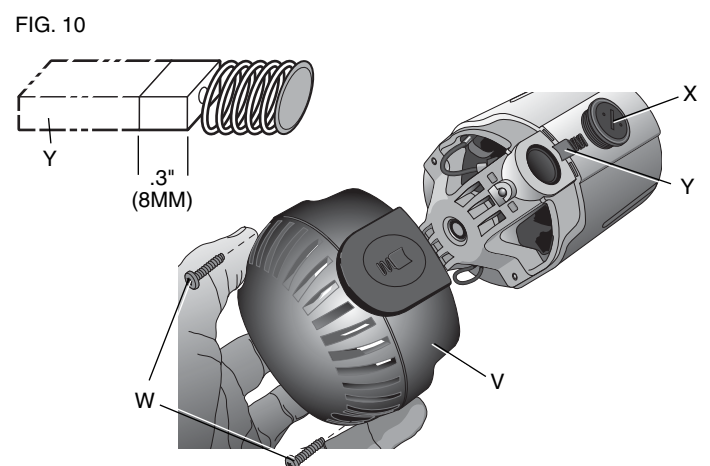
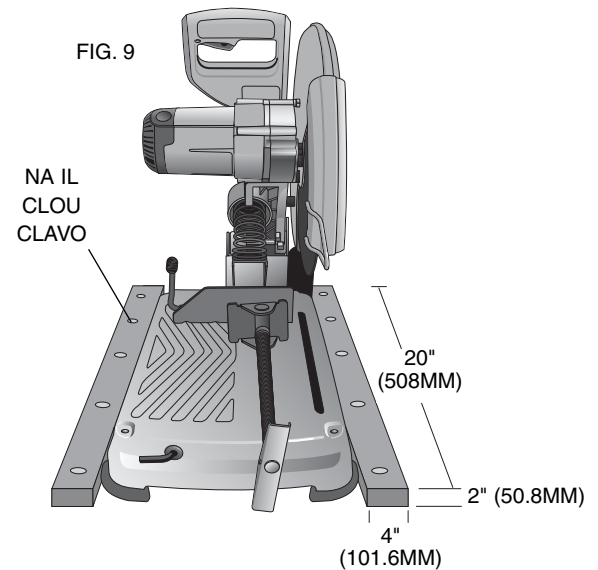
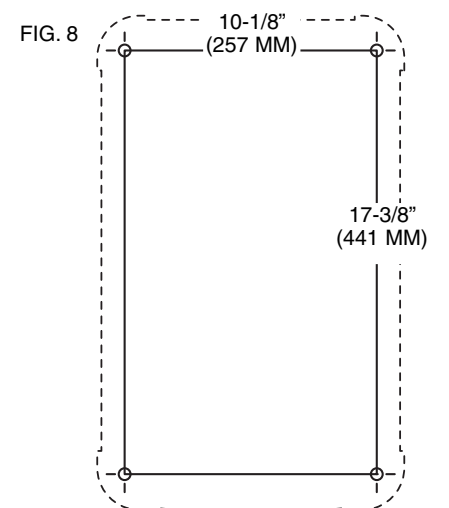
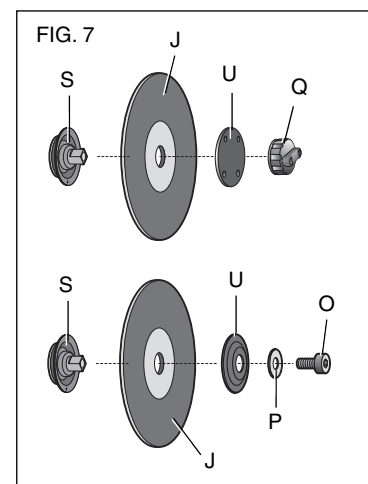
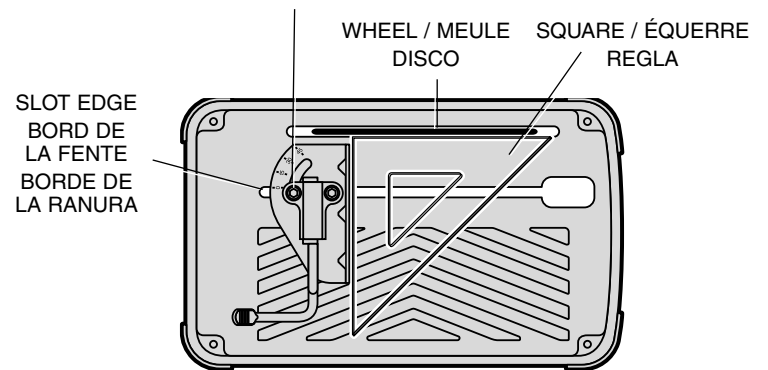


FIG. 6 ANGLE ADJUSTMENT INDICATOR  
INDICATEUR DE RÉGLAGE DE L'ANGLE  
INDICADOR DE AJUSTE DE ÁNGULO



3. Make sure flange surfaces are clean and flat. Install the new abrasive wheel by reversing the above steps.
4. Tighten the Quick-Change blade clamp clockwise until the knob clicks as least three times to ensure the knob is tight. The Quick-Change blade clamp cannot be overtightened.

**NOTE:** A keyed blade clamp system which includes a blade bolt and blade bolt washer, (Fig. 7 O, P) is available at extra cost from your local dealer or authorized service center. Please call 1-800-4-DEWALT (1-800-433-9258) for more information. When using the keyed blade clamp system, do not overtighten bolt.

**WARNING:** Risk of personal injury. Check the work surface that the chop saw rests on when replacing with a new abrasive wheel. It is possible that the wheel may contact ANY ITEMS OR STRUCTURE THAT EXTENDS ABOVE work surface (under the base) when the arm is fully lowered.

## Mounting (Fig. 8, 9)

**⚠CAUTION:** Tool must be supported on stable, level, non-skid surface to prevent unexpected movement when operating.

### PROCEDURE FOR PERMANENT MOUNTING

1. Drill four holes 5/16" (8 mm) through the work surface (Fig. 8).
2. Insert 1/4-20 screws down through the holes in the base and through holes in mounting surface. The approximate length of the screws should be the thickness of the mounting surface plus 4" (102 mm).

### CRADLE MOUNTING

1. Cut two boards approximately 20" long x 2" high x 4" wide (508 x 50.8 x 101.6 mm).
2. Place chop saw at desired work location.
3. Place boards tightly along side, and nail to work surface (Fig. 9).

### Operation Tips for More Accurate Cuts

- Allow the wheel to do the cutting. Excessive force will cause the wheel to glaze reducing cutting efficiency and/or to deflect causing inaccurate cuts.
- Properly adjust fence angle.
- Make sure material is laying flat across base.
- Properly clamp material to avoid movement and vibration.

## MAINTENANCE

**⚠WARNING:** To reduce the risk of injury, turn unit off and disconnect machine from power source before installing and removing accessories, before adjusting or changing set-ups or when making repairs. Be sure the trigger switch is in the OFF position. An accidental start-up can cause injury.

### MOTOR BRUSH INSPECTION AND REPLACEMENT (FIG. 10)

Brushes should be regularly inspected for wear. To inspect brushes, unscrew the two end cap screws (W) and remove end cap (V). Remove brush cap (X). Brushes (Y) should slide freely in brush box. If brushes are worn down to .3" (8 mm) as shown in Figure 10 they should be replaced. To reinstall, push new brush back into brush box. If replacing existing brush, maintain same orientation as when removed. Replace the brush cap (do not overtighten). Replace end cap and two screws. Tighten securely.

### Cleaning

**⚠WARNING:** Blow dirt and dust out of the main housing with dry air as often as dirt is seen collecting in and around the air vents. Wear ANSI Z87.1 (CAN/CSA Z94.3) approved eye protection when performing this procedure.

**⚠WARNING:** Never use solvents or other harsh chemicals for cleaning the non-metallic parts of the tool. These chemicals may weaken the plastic materials used in these parts. Use a cloth dampened only with water and mild soap. Never let any liquid get inside the tool; never immerse any part of the tool into a liquid.

### Repairs

To assure product SAFETY and RELIABILITY, repairs, maintenance and adjustments (including brush inspection and replacement) should be performed by a DeWALT factory service center, a DeWALT authorized service center or other qualified service personnel. Always use identical replacement parts.

**NOTE:** Unit may be converted to a three-wire twist lock cord set at an authorized service center.

### Lubrication

Closed-type, grease-sealed ball bearings are used throughout. These bearings have sufficient lubrication packed in them at the factory to last the life of the chop saw.

### Accessories

**⚠WARNING:** Since accessories, other than those offered by DEWALT, have not been tested with this product, use of such accessories with this tool could be hazardous. To reduce the risk of injury, only DEWALT, recommended accessories should be used with this product.

Use only high-strength Type 1 organic bonded wheels rated 4100 rpm or higher.

Recommended accessories for use with your tool are available at extra cost from your local dealer or authorized service center. If you need assistance in locating any accessory for your tool, please contact DEWALT Industrial Tool Co., 701 East Joppa Road, Baltimore, MD 21286, call 1-800-4-DEWALT (1-800-433-9258) or visit our website www.dewalt.com.

### Three Year Limited Warranty

DEWALT will repair, without charge, any defects due to faulty materials or workmanship for three years from the date of purchase. This warranty does not cover part failure due to normal wear or tool abuse. For further detail of warranty coverage and warranty repair information, visit www.dewalt.com or call 1-800-4-DEWALT (1-800-433-9258). This warranty does not apply to accessories or damage caused where repairs have been made or attempted by others. This warranty gives you specific legal rights and you may have other rights which vary in certain states or provinces.

In addition to the warranty, DEWALT tools are covered by our:

#### 1 YEAR FREE SERVICE

DEWALT will maintain the tool and replace worn parts caused by normal use, for free, any time during the first year after purchase.

#### 90 DAY MONEY BACK GUARANTEE

If you are not completely satisfied with the performance of your DEWALT Power Tool, Laser, or Nailer for any reason, you can return it within 90 days from the date of purchase with a receipt for a full refund – no questions asked.

**LATIN AMERICA:** This warranty does not apply to products sold in Latin America. For products sold in Latin America, see country specific warranty information contained either in the packaging, call the local company or see website for warranty information.

**FREE WARNING LABEL REPLACEMENT:** If your warning labels become illegible or are missing, call 1-800-4-DEWALT for a free replacement.



SI VOUS AVEZ DES QUESTIONS OU VOULEZ NOUS FAIRE PART DE VOS COMMENTAIRES CONCERNANT CET OUTIL OU TOUT AUTRE OUTIL DEWALT, COMPOSEZ SANS FRAIS LE : 1 800 433-9258.

### Définitions : lignes directrices en matière de sécurité

Les définitions ci-dessous décrivent le niveau de danger pour chaque mot-indicateur employé. Veuillez lire le mode d'emploi et porter une attention particulière à ces symboles.

**⚠DANGER :** indique une situation dangereuse imminente qui, si elle n'est pas évitée, causera la mort ou des blessures graves.

**⚠AVERTISSEMENT :** indique une situation potentiellement dangereuse qui, si elle n'est pas évitée, pourrait se solder par un décès ou des blessures graves.

**⚠MISE EN GARDE :** indique une situation potentiellement dangereuse qui, si elle n'est pas évitée pourrait se solder par des blessures mineures ou modérées.

**MISE EN GARDE :** utilisé sans le symbole d'alerte à la sécurité, indique une situation potentiellement dangereuse qui, si elle n'est pas évitée pourrait se solder par des dommages à la propriété.

### Consignes de sécurité importantes

**⚠AVERTISSEMENT :** lire et comprendre toutes les directives. Le non-respect des directives indiquées ci-dessous peut entraîner des risques de choc électrique, d'incendie ou de blessures graves.

#### CONSERVER CES DIRECTIVES

- **MAINTENIR LES DISPOSITIFS DE PROTECTION EN PLACE** et en bon état de fonctionnement.

- **RETIRER LES CLES A MOLETTE ET LES CLES DE REGLAGE.** S'habituer à vérifier que les clés et les clés de réglage ont été retirées de l'outil avant de le mettre en marche.
- **GARDER LA ZONE DE TRAVAIL PROPRE.** Les zones et établis encombrés sont souvent des causes de blessures.
- **NE PAS UTILISER CET OUTIL DANS UN ENVIRONNEMENT DANGEREUX.** Ne pas utiliser d'outils électriques dans des endroits humides ou mouillés et ne pas les exposer à la pluie. Garder la zone de travail bien éclairée.
- **TENIR LES ENFANTS A L'ECART.** Tous les visiteurs doivent se trouver à une distance sûre de la zone de travail.
- **S'ASSURER QUE L'ATELIER NE PRESENTE PAS DE DANGER POUR LES ENFANTS** en utilisant des cadenas, des interrupteurs principaux ou en retirant les clés de démarrage.
- **NE PAS FORCER L'OUTIL.** Le travail sera mieux accompli et plus sécuritaire au rythme prévu pour l'appareil.
- **UTILISER L'OUTIL APPROPRIÉ.** Ne pas forcer un outil ou un accessoire pour effectuer un travail auquel il n'a pas été conçu.
- **UTILISER LA RALLONGE APPROPRIÉE.** S'assurer que la rallonge est en bon état. Lorsque qu'une rallonge électrique est utilisée, s'assurer d'en utiliser une de calibre suffisamment élevé pour assurer le transport du courant nécessaire au fonctionnement de l'appareil. Un cordon de calibre inférieur causera une chute de tension de ligne et donc une perte de puissance et une surchauffe. Le tableau suivant indique le calibre approprié à utiliser selon la longueur du cordon et l'intensité nominale de la plaque signalétique. En cas de doute, utiliser le calibre suivant le plus gros. Plus le numéro de calibre est petit, plus le cordon est lourd.

Calibres minimaux des rallonges						
Intensité (en ampères)		Volts	Longueur totale de cordon en mètres (pieds)			
		120V	7,6 (25)	15,2 (50)	30,5 (100)	45,7 (150)
		240V	15,2 (50)	30,5 (100)	61,0 (200)	91,4 (300)
Supérieur à	Inférieur à	AWG				
0	6	18	16	16	14	
6	10	18	16	14	12	
10	12	16	16	14	12	
12	16	14	12	Non recommandé		

- **PORTER LES VETEMENTS APPROPRIÉS.** Ne porter ni vêtements amples, ni gants, ni cravates, ni bagues, ni bracelets, ni autre bijoux, car ces derniers pourraient s'enchevêtrer dans des pièces mobiles. Le port de chaussures antidérapantes est recommandé. Se couvrir les cheveux s'ils sont longs. Se tenir éloigné des événements puisque ces derniers recouvrent souvent des pièces en mouvement.
- **TOUJOURS PORTER DES LUNETTES DE SECURITE** conforme aux exigences de la norme ANSI Z87.1. Utiliser également un masque facial ou anti-poussière si l'opération de découpe génère de la poussière. Les lunettes courantes comportent seulement des lentilles résistantes aux chocs, ce ne sont pas des lunettes de sécurité.
- **FIXER LA PIÉCE.** Utiliser des brides ou un étau pour retenir la pièce. C'est plus sécuritaire que d'utiliser votre main et cela vous permet d'utiliser les deux mains pour faire fonctionner l'outil.
- **NE PAS TROP TENDRE LES BRAS.** Conserver son équilibre en tout temps.
- **PRENDRE SOIN DES OUTILS.** S'assurer que vos outils sont aiguisés et propres afin d'optimiser sécurité et performance. Suivre les consignes de graissage et de changement d'accessoires.
- **DEBRANCHER LES OUTILS** avant de les réparer et au moment de changer d'accessoires, tels que les lames, les mèches, les couteaux, etc.
- **REDUIRE LE RISQUE DE DEMARRAGE ACCIDENTEL.** S'assurer que l'interrupteur est en position ARRÊT avant de brancher l'outil.
- **UTILISATION DES ACCESSOIRES RECOMMANDÉS.** Une liste des accessoires recommandés se trouve dans le mode d'emploi. L'utilisation d'accessoires incorrects peut entraîner un risque de blessure corporelle.
- **NE JAMAIS SE TENIR SUR L'OUTIL.** Une blessure grave pourrait se produire en cas de basculement de l'outil ou de démarrage accidentel de l'outil de découpe.
- **VERIFIER LES PIÉCES ENDOMMAGÉES.** Avant toute utilisation ultérieure de l'outil, un protège-lame (ou une autre pièce) endommagé doit être soigneusement examiné afin de déterminer s'il fonctionnera correctement et remplira sa fonction prévue – vérifier l'alignement des pièces mobiles, la présence de grippage des pièces mobiles, de rupture de pièces, la fixation et tout problème pouvant nuire au fonctionnement de l'outil. Un protège-lame (ou tout autre pièce) endommagé doit être réparé et remplacé adéquatement.
- **NE JAMAIS LAISSER L'OUTIL FONCTIONNER SANS SURVEILLANCE. ETEINDRE L'APPAREIL.** Ne pas laisser l'outil tant qu'il n'est pas complètement arrêté.
- **PIÉCES DE RECHANGE IDENTIQUES.** Pour la réparation, utiliser uniquement des pièces de rechange identiques.
- **POUR REDUIRE LE RISQUE DE CHOCS ELECTRIQUES :**
  - a. Cet équipement peut être pourvu d'une fiche polarisée (une broche est plus large que l'autre.) Cette fiche pourra être insérée dans une prise polarisée, dans un sens seulement. Si elle ne s'insère pas dans la prise, demander à un électricien compétent d'installer une fiche polarisée.
  - b. L'outil peut comprendre une fiche de mise à la terre à trois broches. Cette fiche ne doit être insérée que dans une prise mise à la terre. Si elle ne s'insère pas dans la prise, demander à un électricien compétent d'installer une fiche polarisée.
  - c. Ne modifier la fiche en aucune façon.

### Autres règles de sécurité pour la scie fendeuse

- **Toujours porter une protection oculaire et respiratoire adéquate.**
- **Avant d'utiliser l'outil, inspecter la meule de coupe à la recherche de fissures ou de défauts. Si une fissure ou une défauts est présente, jeter la meule. La meule doit également être inspectée lorsqu'il est possible que l'outil soit tombé. Les défauts peuvent causer un bris de la meule.**
- **Au moment de démarrer l'outil avec une meule neuve ou de rechange, ou en cas d'incertitude quant à l'état de la meule, tenir l'outil dans un endroit bien protégé et le laisser fonctionner pendant une minute. Si la meule comporte une fissure ou une fêlure non détectée, l'accessoire devrait éclater en moins d'une minute. Ne jamais démarrer l'outil lorsque quelqu'un est aligné avec la meule. Cela inclut l'opérateur.**
- **Durant le fonctionnement de l'outil, éviter de faire rebondir le disque ou de le traiter rudement. Dans ces cas, arrêter l'outil et inspecter la meule pour toute trace de fissure ou de fêlures.**
- **AUCUNE partie du corps ne doit se trouver dans la trajectoire de la lame de la scie. Il y a un risque de blessures corporelles.**
- Nettoyer périodiquement la scie fendeuse selon la procédure indiquée dans le présent manuel.
- Ne pas enlever le protège-meule ni la base.
- **TOUJOURS UTILISER L'ETAU OU LE DISPOSITIF DE FIXATION SPECIAL POUR BIEN SERRER LA PIÉCE.** D'autres accessoires tels que des pinces à ressort, des serres à barre ou du serre-joint en C peuvent convenir à certaines tailles et formes de pièces. Choisir et placer judicieusement ces accessoires, puis faire fonctionner l'outil à sec avant de réaliser une coupe.
- Utiliser uniquement des meules de 533 mm (14 po) type 1 dont la vitesse atteint au moins 4100 tr/min.
- Laisser les pièces coupées refroidir avant de les manipuler.
- Ne pas tenter de couper du bois ou du plastique avec cet outil.
- **NE JAMAIS COUPER DU MAGNESIUM AVEC CET OUTIL.**
- Utiliser la scie fendeuse dans un endroit bien ventilé.
- Eteindre la scie fendeuse avant d'enlever tout morceau de la base.
- **NE PAS COUPER DE MATERIAU SOUS TENSION.**
- **Ne jamais utiliser de lames de scie circulaire ou toutes autres lames dentées avec l'outil. Elles pourraient provoquer de graves blessures.**
- **NE PAS FAIRE FONCTIONNER CET OUTIL PRES DE LIQUIDES INFLAMMABLES, DE GAZ OU DE POUSSIÉRE.** Les étincelles ou copeaux chauds, qui proviennent de la coupe ou des balais du moteur émettant des décharges électriques, peuvent enflammer du matériel combustible.
- Ne pas utiliser le côté de la meule abrasive comme machine à ébavurer. Cela risque de fragiliser considérablement la meule et de créer une condition dangereuse. La meule risque de se séparer.

**⚠AVERTISSEMENT :** certaines poussières produites par les activités de ponçage, de sciage, de meulage, de perçage ainsi que d'autres activités de construction peuvent contenir des produits chimiques pouvant causer le cancer, des anomalies congénitales ou d'autres problèmes liés aux fonctions reproductrices. Voici quelques exemples de ces produits chimiques :

- le plomb contenu dans les peintures à base de plomb,
- la silice cristalline de la brique, du ciment et d'autres produits de maçonnerie, et
- l'arsenic et chrome provenant de bois traité chimiquement.

Les risques reliés à l'exposition à ces poussières varient selon la fréquence à laquelle l'utilisateur travaille avec ce type de matériaux. Pour réduire votre exposition à ces produits chimiques : travailler dans un endroit bien ventilé et porter un équipement de sécurité approuvé comme un masque antipoussières conçu spécialement pour filtrer les particules microscopiques.

- Éviter le contact prolongé avec les poussières produites par les activités de ponçage, sciage, meulage, perçage et autres activités de construction. Porter des vêtements de protection et laver les parties du corps exposées avec une solution d'eau et de savon. Laisser la poussière pénétrer dans la bouche et les yeux ou la laisser reposer sur la peau, pourrait promouvoir l'absorption de produits chimiques nocifs.

**AVERTISSEMENT** : l'utilisation de cet outil peut produire et/ou dégager des poussières pouvant causer des problèmes respiratoires graves et permanents ou d'autres problèmes médicaux. Toujours porter un appareil respiratoire approuvé par la NIOSH/OSHA pour se protéger de la poussière. Diriger les particules loin du visage et du corps.

**AVERTISSEMENT : TOUJOURS PORTER DES LUNETTES DE SECURITE.** Everyday eyeglasses are NOT safety glasses. Also use face or dust mask if cutting op. Les lunettes de vue ne constituent PAS des lunettes de sécurité. Utiliser également un masque facial ou anti-poussière si l'opération de découpe génère de la poussière. TOUJOURS porter un équipement de protection homologué :

- protection oculaire conforme à la norme ANSI Z87.1 (CAN/CSA Z94.3);
- protection auditive ANSI S12.6 (S3.19);
- protection des voies respiratoires conformes aux normes NIOSH/OSHA/MSHA.

**MISE EN GARDE** : porter une protection auditive appropriée pour utiliser l'appareil. Dans certaines conditions, et selon la durée d'utilisation, le bruit provoqué par ce produit peut contribuer à une perte auditive.

**MISE EN GARDE** : le pare-étincelles deviendra chaud. Éviter de toucher ou de régler l'outil lorsqu'il est chaud. Tenir le cordon amovible et les matériaux loin du pare-étincelles.

- L'étiquette apposée sur votre outil pourrait comprendre les symboles suivants. Les symboles et leurs définitions sont indiqués ci-après :

V..... volts	A..... ampères
HZ..... hertz	W..... watts
min ..... minutes	~ ..... courant alternatif
— ..... courant continu	n <sub>0</sub> ..... vitesse à vide
Ⓢ ..... Construction classe I (mis à la terre)	Ⓢ ..... borne de terre
Ⓢ ..... Construction de classe II (à double isolation)	▲ ..... symbole d'alerte à la sécurité
BPM..... coups par minute	.../min ..... tours ou mouvement alternatif par minute

Pour plus de commodité et de sécurité, les avertissements suivants figurent sur votre scie fendeuse robuste de 533 mm (14 po) :

▲ **POUR ASSURER UNE UTILISATION SECURITAIRE, LIRE LE MODE D'EMPLOI.**

**NE PAS UTILISER DE LAMES DENTEES.**

**UTILISER UNIQUEMENT DES MEULES DONT LA CAPACITE NOMINALE CORRESPOND AU MOINS A 4100 R/MIN.**

**POUR LA REPARATION, UTILISER UNIQUEMENT DES PIECES DE RECHANGE IDENTIQUES.**

**TOUJOURS PORTER DES LUNETTES DE SECURITE, UTILISER UN PROTEGE-MEULE, SERRER LA PIECE DANS UN ETAU, UTILISER UN APPAREIL DE PROTECTION RESPIRATOIRE APPROPRIE.**

**NE PAS L'EXPOSER A LA PLUIE ET NE PAS L'UTILISER DANS UN ENDROIT HUMIDE.**

## Caractéristiques (fig. 1, 7)

A. Dispositif de retenue	J. Meule
B. Vis de pare-étincelles	K. Protège-étincelles de la meule
C. Pare-étincelles	L. Levier de verrouillage de la meule
D. Base	M. Détente
E. Guide	N. Orifice pour cadenas
F. Étau	O. Boulon de lame supplémentaire
G. Clé Allen de 8 mm	P. Rondelle supplémentaire pour le boulon de lame
H. Manivelle	Q. Bride de lame à Attache Rapide (Quick-Change)
I. Levier d'étau	

## Bloc d'alimentation

S'assurer que le bloc d'alimentation est compatible avec l'inscription de la plaque signalétique. 120 volts, « 60 Hz » correspond au courant alternatif (courant domestique normal de 120 volts, 60 Hz).

Une diminution de tension de plus de 10 % provoquera une perte de puissance et une surchauffe.

## Capacité de coupe

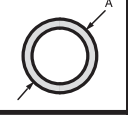
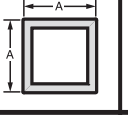
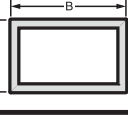
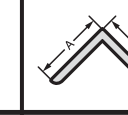
La grande ouverture de l'étau et le point de pivotement élevé permet de couper beaucoup de grosses pièces. Consulter le tableau sur la capacité de coupe pour déterminer la dimension maximale totale des coupes pouvant être réalisées à l'aide d'une meule neuve.

**MISE EN GARDE** : CERTAINS OBJETS QUI SONT GROS, CIRCULAIRES OU DE FORME IRREGULIERE, PEUVENT NECESSITER DES DISPOSITIFS DE RETENUE SUPPLEMENTAIRES S'ILS NE PEUVENT ETRE BIEN RETENUS DANS UN ETAU.

**MISE EN GARDE** : NE PAS COUPER DU MAGNESIUM AVEC CET OUTIL. La scie risquerait d'être endommagée et il pourrait en résulter des blessures corporelles.

### CAPACITÉ DE COUPE MAXIMALE

**REMARQUE** : la capacité indiquée dans le tableau ne tient pas compte de l'usure de la meule ni de la position optimale du guide.

PIECE DE TRAVAIL ANGLE DE COUPE				
90°	127 mm 5"	119,4 mm 4,7"	114 x 165 mm 4,5" x 6,5" 76 x 228,6 mm 3" x 9"	142,2 mm 5,6"

## Équipement standard

- 1 meule de tronçonnage des métaux de 355 mm (14 po)
- 1 clé Allen
- 1 mode d'emploi

## Transport (fig. 1)

Replier en deux l'appareil à la position vous permettant de transporter la scie. Enfoncer le dispositif de retenue (A) pour verrouiller le bras en position basse.

## Déverrouillage (fig. 1)

Pour déverrouiller l'outil et monter la tête, abaisser légèrement le bras du moteur, puis sortir le dispositif de retenue (A). Le bras du moteur pivotera ensuite vers le haut.

## Serrage et soutien du matériau

- Il est plus facile de serrer et de couper les pièces angulaires si les deux montants reposent contre la base.
- On peut utiliser une cale d'écartement légèrement plus étroite que la pièce pour pouvoir utiliser davantage la meule (fig. 3).
- Les pièces longues doivent être soutenues par une cale de manière à être alignées avec le dessus de la base (fig. 4). L'extrémité coupée doit être libre de pouvoir tomber afin d'éviter tout grippage de la meule.

## Réglage du pare-étincelles (fig. 1)

Pour protéger toute personne ou matériel près des étincelles, dévisser la vis (B), régler le déflecteur d'étincelles (C) puis resserrer la vis.

**MISE EN GARDE** : Risque de dommages à la propriété. Ne pas laisser le cordon amovible entrer en contact avec le pare-étincelles ou les étincelles, car le cordon amovible risque d'être endommagé.

## Utilisation de l'étau (fig. 5)

L'étau comprend une fonction de marche rapide. Pour dégager l'étau (F) lorsqu'il est fortement serré, tourner la manivelle (H) une ou deux fois, dans le sens antihoraire, pour libérer la pression de serrage. Soulever le levier de l'étau (I). Tirer la manivelle aussi loin que possible. L'étau peut être poussé dans la pièce sans utiliser la manivelle. Baisser le levier de l'étau, puis serrer l'étau sur la pièce à l'aide de la manivelle.

## Utilisation du guide (fig. 5)

**AVERTISSEMENT** : pour réduire le risque de blessures, éteindre l'appareil et le débrancher avant d'installer ou de retirer tout accessoire, avant d'ajuster ou de modifier les réglages ou lors de réparations. S'assurer que l'interrupteur est en position d'arrêt. Un démarrage accidentel peut provoquer des blessures.

Aucun outil n'est nécessaire pour régler le guide (E). Le levier de serrage à Attache Rapide (Quick-Change) (T) déverrouille et verrouille le guide. Lorsque le levier est complètement tourné vers l'avant, il est déverrouillé. Il est possible ensuite d'avancer, de reculer ou de tourner librement le guide afin d'obtenir la meilleure position de coupe d'une meule neuve puis en fonction de l'usure de la meule.

Le fait de tourner complètement le levier vers l'arrière verrouille le guide à la position sélectionnée. Si le montant inférieur du levier n'est pas à l'horizontal (parallèle à la base), le guide n'est pas verrouillé. Le levier ne verrouillera le guide qu'en cas de forte résistance exercée sur le guide pour le faire reculer. Si la résistance est faible, régler la force de serrage en serrant légèrement les deux boulons (R) retenant le guide à la base. Vérifier par un nouveau serrage des boulons, puis essayer de déplacer le guide.

## Réglage de l'angle du guide (fig. 6)

**AVERTISSEMENT** : pour réduire le risque de blessures, éteindre l'appareil et le débrancher avant d'installer ou de retirer tout accessoire, avant d'ajuster ou de modifier les réglages ou lors de réparations. S'assurer que l'interrupteur est en position d'arrêt. Un démarrage accidentel peut provoquer des blessures.

L'indicateur du réglage de l'angle fait partie du système de serrage du guide. Aligner le trait désiré de l'indicateur d'angle avec le bord de la fente pratiquée dans la base.

### POUR UNE COUPE A L'EQUERRE PLUS PRECISE

1. Déverrouiller le guide.
2. Descendre le bras de manière à abaisser la meule dans la base.
3. Placer une équerre contre la meule et régler le guide de manière à être contre l'équerre.
4. Verrouiller le guide dans cette position.

## Utilisation (fig. 1, 2)

Consulter la Figure 2 pour connaître les bonnes positions corporelles durant l'utilisation. Pour démarrer l'outil, presser la détente (C). Pour l'éteindre, simplement la relâcher. Tenir les mains et les matériaux éloignés de la meule jusqu'à ce que cette dernière se soit arrêtée complètement.

Pour éviter toute utilisation non permise de l'outil, poser un cadenas standard (non inclus) dans l'orifice pour cadenas (N) situé dans la détente.

## Dépose et installation des meules (fig. 7)

**AVERTISSEMENT** : pour réduire le risque de blessures, éteindre l'appareil et le débrancher avant d'installer ou de retirer tout accessoire, avant d'ajuster ou de modifier les réglages ou lors de réparations. S'assurer que l'interrupteur est en position d'arrêt. Un démarrage accidentel peut provoquer des blessures.

La bride de lame à Attache Rapide (Quick-Change) ne requiert aucun outil pour changer la lame.

1. Enfoncer le levier de verrouillage de la meule (L), puis tourner la meule (J) manuellement de manière à ce que le levier engage la fente, logée dans la bride intérieure (S), pour verrouiller la meule. Desserrer la bride de lame à Attache Rapide (Quick-Change) (Q) en la tournant dans le sens antihoraire. La bride est pourvue d'un filetage à droite.
2. Enlever manuellement la bride de lame à Attache Rapide (Quick-Change) (Q), la rondelle de la bride (U) et la meule usagée (J).
3. S'assurer que la surface de la bride est propre et plate. Installer la meule abrasive en inversant les étapes précédentes.
4. Serrer la bride de lame à Attache Rapide (Quick-Change) en la tournant dans le sens horaire, de manière à ce que le bouton émette un déclic au moins trois fois assurant ainsi le serrage du bouton. Il ne faut pas trop serrer la bride de lame à Attache Rapide (Quick-Change).

**REMARQUE** : un mécanisme de serrage de la lame à clé qui comprend un boulon de lame et une rondelle de boulon de lame (fig. 7 O, P) est en vente moyennant des frais supplémentaires auprès de votre détaillant local ou d'un centre de réparation autorisé. Composer le 1-800-4-DEWALT (1-800-433-9258) pour obtenir plus de renseignements. Lorsque le mécanisme de serrage de la lame à clé est utilisé, ne pas trop serrer le boulon.

**AVERTISSEMENT** : Risque de blessures corporelles. Vérifier la surface de travail sur laquelle repose la scie fendeuse au moment de remplacer la meule abrasive par une neuve. Il est possible que la meule entre en contact avec TOUT OBJET OU STRUCTURE (se trouvant sous la base) QUI DÉPASSE la surface de travail lorsque le bras est complètement descendu.

## Montage (fig. 8, 9)

**MISE EN GARDE** : l'outil doit être maintenu sur une surface stable, nivelée et antidérapante pour éviter tout mouvement inattendu durant le fonctionnement de l'outil.

### PROCÉDURE DE MONTAGE PERMANENT

1. Percer quatre trous de 8 mm (5/16 po) dans la surface de travail (fig. 8).
2. Insérer les vis 1/4 po-20 dans les orifices de la base et les orifices de la surface de montage. La longueur approximative des vis doit correspondre à l'épaisseur de la surface de montage plus 102 mm (4 po).

### MONTAGE DU BERCEAU

1. Couper deux planches dont les dimensions approximatives sont les suivantes : 508 mm de longueur x 50,8 mm de hauteur x 101,6 mm de largeur (20 po x 2 po x 4 po).
2. Placer la scie fendeuse à l'emplacement de travail désiré.
3. Placer les planches tout contre le côté, puis les clouer à la surface de travail (fig. 9).

## Conseils d'utilisation pour des coupes plus précises

- Laisser la meule réaliser la coupe. Toute force excessive exercée sur la meule la rendra glacée réduisant ainsi le rendement de coupe et/ou la fera dévier, ce qui entraînera des coupes imprécises.
- Bien régler l'angle du guide.
- S'assurer que le matériau repose à plat sur la base.
- Bien serrer le matériau pour éviter qu'il ne se déplace ou ne vibre.

## ENTRETIEN

**AVERTISSEMENT** : pour réduire le risque de blessures, éteindre l'appareil et le débrancher avant d'installer ou de retirer tout accessoire, avant d'ajuster ou de modifier les réglages ou lors de réparations. S'assurer que l'interrupteur est en position d'arrêt. Un démarrage accidentel peut provoquer des blessures.

### INSPECTION ET REMPLACEMENT DES BALAIS DU MOTEUR (FIG. 10)

Il importe d'inspecter régulièrement les balais pour en vérifier l'usure. Pour inspecter les balais, dévisser les deux vis de blocage (W) et enlever les embouts (V). Enlever le capuchon du balai (X). Les balais (Y) doivent pouvoir glisser librement dans la cage à balais. Si les balais sont réduits par l'usure à 8 mm (3 po) comme sur la figure 10, il faut les remplacer. Pour une réinstallation, remettre les balais neufs dans la cage à balais. Pour remettre en place le même balai, conserver la même orientation qu'au moment de l'enlever. Remettre le capuchon du balai (ne pas trop serrer). Remettre les embouts et les deux vis. Serrer solidement.

## Nettoyage

**AVERTISSEMENT** : nettoyer la saleté et la poussière du boîtier principal à l'air sec dès que vous voyez la saleté s'accumuler à l'intérieur des événements et autour de ceux-ci. Porter un dispositif de protection oculaire conforme à la norme ANSI Z87.1 (CAN/CSA Z94.3) au moment d'exécuter cette procédure.

**AVERTISSEMENT** : Ne jamais utiliser de solvants ou tout autre produit chimique décapant pour nettoyer les parties non métalliques de l'outil. Ces produits chimiques pourraient attaquer les matériaux plastiques utilisés. Utilisez un chiffon humidifié avec de l'eau et un savon doux. S'assurer qu'aucun liquide ne pénètre dans l'outil ; ne jamais immerger aucune partie de l'outil dans un liquide.

## Réparations

Pour assurer la SÉCURITÉ et la FIABILITÉ du produit, les réparations, l'entretien et les réglages (y compris l'inspection et le remplacement des balais) doivent être réalisés par un centre de réparation en usine DEWALT, un centre de réparation autorisé DEWALT ou par un personnel d'entretien qualifié. Toujours utiliser des pièces de rechange identiques.

**REMARQUE** : le dispositif peut être converti en un cordon amovible quart-de-tour à trois conducteurs par un centre de réparation autorisé.

## Lubrification

Les roulements à billes fermés retenus de graisse sont utilisés d'un bout à l'autre de l'outil. Ces roulements ont reçu suffisamment de lubrifiant en usine pour durer toute la vie utile de la scie fendeuse.

## Accessories

**AVERTISSEMENT** : puisque les accessoires autres que ceux offerts par DEWALT n'ont pas été testés avec ce produit, l'utilisation de ceux-ci avec l'outil pourrait s'avérer dangereuse. Pour réduire le risque de blessures, utiliser exclusivement les accessoires DEWALT recommandés avec le présent produit.

Utiliser uniquement des meules liées organiquement à haute résistance de type 1 dont la vitesse atteint au moins 4100 tr/min.

Les accessoires recommandés pour utilisation avec l'outil sont disponibles, à un coût supplémentaire, auprès du distributeur ou du centre de réparation autorisé de votre région. Si vous avez besoin d'aide pour trouver un accessoire pour votre outil, veuillez contacter DEWALT Industrial Tool Co., 701 East Joppa Road, Baltimore, MD 21286, États-Unis, composer le 1(800) 4-DEWALT (1-800-433-9258) ou visiter notre site Web à [www.dewalt.com](http://www.dewalt.com).

## Garantie limitée trois ans

DEWALT réparera gratuitement tous les problèmes dus à des défauts de matériau ou de fabrication pendant trois ans à compter de la date d'achat. Cette garantie ne couvre pas des défaillances de pièce dues à une usure normale ou à une mauvaise utilisation de l'outil. Pour plus de détails relatifs à la couverture de la garantie et aux réparations sous garantie, visiter le site Web [www.dewalt.com](http://www.dewalt.com) ou composer le 1 (800) 4-DEWALT (1 (800) 433-9258). Cette garantie ne s'applique pas aux accessoires ni aux dommages causés par des réparations réalisées ou tentées par des tiers. Cette garantie vous accorde des droits légaux spécifiques et il est possible que vous ayez d'autres droits qui varient d'un État ou d'une province à l'autre.

En plus de la garantie, les outils DEWALT sont couverts par notre :

### SERVICE D'ENTRETIEN GRATUIT DE 1 AN

DEWALT entretiendra l'outil et remplacera les pièces usées par une utilisation normale et ce, gratuitement, à tout instant pendant la première année à compter de la date d'achat.

### GARANTIE DE REMBOURSEMENT DE 90 JOURS

Si vous n'êtes pas entièrement satisfait des performances de votre outil électrique, laser ou de votre cloueuse DEWALT pour quelque raison que ce soit, vous pouvez le retourner accompagné d'un reçu dans les 90 jours suivant la date d'achat et nous vous rembourserons entièrement – sans poser de questions.

**AMÉRIQUE LATINE** : cette garantie ne s'applique pas aux produits vendus en Amérique latine. Pour ceux-ci, veuillez consulter les informations relatives à la garantie spécifique présente dans l'emballage, appeler l'entreprise locale ou consulter le site Web pour les informations relatives à cette garantie.

**REPLACEMENT GRATUIT DES ÉTIQUETTES D'AVERTISSEMENT** : si les étiquettes d'avertissement deviennent illisibles ou sont manquantes, composer le 1 (800) 4-DEWALT pour en obtenir le remplacement gratuit.



SI TIENE ALGUNA PREGUNTA O ALGÚN COMENTARIO QUE HACER CON RESPECTO A ESTA O CUALQUIER OTRA HERRAMIENTA DEWALT, LLÁMENOS SIN CARGO AL: **1-800-4-DEWALT (1-800-433-9258)**.

## Definiciones: Normas de seguridad

Las siguientes definiciones describen el nivel de gravedad de cada palabra de señal. Lea el manual y preste atención a estos símbolos.

**▲PELIGRO**: indica una situación de peligro inminente que, si no se evita, provocará la muerte o lesiones graves.

**▲ADVERTENCIA**: indica una situación de peligro potencial que, si no se evita, podría provocar la muerte o lesiones graves.

**▲PRECAUCIÓN**: indica una situación de peligro potencial que, si no se evita, posiblemente provocaría lesiones leves o moderadas.

**PRECAUCIÓN**: cuando se utiliza sin el símbolo de alerta de seguridad indica una situación de peligro potencial que, si no se evita, puede provocar daños en la propiedad.

## Instrucciones de seguridad importantes

**▲ADVERTENCIA**: Lea y comprenda todas las instrucciones. El incumplimiento de cualquiera de las instrucciones enumeradas a continuación puede provocar una descarga eléctrica, un incendio y/o lesiones personales graves.

### CONSERVE ESTAS INSTRUCCIONES

- MANTENGA LOS PROTECTORES INSTALADOS ADECUADAMENTE** y en funcionamiento.
- RETIRE LAS LLAVES DE AJUSTE Y LLAVES DE TUERCAS**. Acostúmbrese a verificar que se hayan retirado de la herramienta las llaves ajustables antes de encenderla.
- MANTENGA LIMPIA EL ÁREA DE TRABAJO**. Los espacios y los bancos de trabajo abarrotados son propensos a las lesiones.
- NO UTILICE HERRAMIENTAS EN LUGARES PELIGROSOS**. No utilice herramientas eléctricas en lugares húmedos o mojados, y no las exponga a la lluvia. Mantenga bien iluminada el área de trabajo.
- MANTENGA A LOS NIÑOS ALEJADOS**. Los visitantes deben mantenerse a una distancia segura del área de trabajo.
- PROCURE QUE SU TALLER SEA INACCESIBLE PARA LOS NIÑOS**; instale candados e interruptores maestros, o retire las llaves que accionan las herramientas.
- NO FUERCE LA HERRAMIENTA**. Funcionará mejor y en forma más segura si la utiliza a la velocidad para la que fue diseñada.
- UTILICE LA HERRAMIENTA ADECUADA**. No fuerce la herramienta o los accesorios para realizar tareas para las que no fueron diseñados.
- UTILICE EL CABLE PROLONGADOR APROPIADO**. Asegúrese de que el cable prolongador esté en buenas condiciones. Cuando utilice un cable prolongador, asegúrese de que tenga la capacidad para conducir la corriente que su producto exige. Un cable de menor capacidad provocará una disminución en el voltaje de la línea, lo cual producirá una pérdida de potencia y sobrecalentamiento. La siguiente tabla muestra la medida correcta que debe utilizar según la longitud del cable y la capacidad nominal en amperios indicada en la placa. En caso de duda, utilice el calibre inmediatamente superior. Cuanto menor es el número de calibre, más grueso es el cable.

Calibres minimaux des rallonges						
Intensité (en ampères)		Volts	Longueur totale de cordon en mètres (pieds)			
		120V	7,6 (25)	15,2 (50)	30,5 (100)	45,7 (150)
		240V	15,2 (50)	30,5 (100)	61,0 (200)	91,4 (300)
Supérieur à	Inférieur à	AWG				
0	6	18	16	16	14	
6	10	18	16	14	12	
10	12	16	16	14	12	
12	16	14	12	Non recommandé		

- UTILICE INDUMENTARIA ADECUADA**. No utilice ropa holgada, corbatas, anillos, pulseras u otras alhajas que puedan quedar atrapadas entre las piezas móviles. Se recomienda el uso de calzado antideslizante. Recójase y cubra el cabello largo. Los orificios de ventilación suelen cubrir piezas en movimiento, por lo que también se deben evitar.
- UTILICE SIEMPRE LENTES DE SEGURIDAD** que cumplan con los requisitos de la norma ANSI Z87.1. Utilice también máscaras faciales o para polvo si el corte produce polvillo. Los anteojos de uso diario sólo cuentan con lentes resistentes a impactos; no son anteojos de seguridad.

- SUJETE LA PIEZA DE TRABAJO**. Utilice abrazaderas o una prensa para sostener el trabajo. Es más seguro que utilizar su mano. Esto le permite utilizar ambas manos para operar la herramienta.
- NO SE ESTIRE**. Conserve el equilibrio y párese adecuadamente en todo momento.
- CONSERVE LAS HERRAMIENTAS ADECUADAMENTE**. Mantenga las herramientas afiladas y limpias para obtener el mejor y más seguro rendimiento. Siga las instrucciones para lubricar y cambiar los accesorios.
- DESCONECTE LAS HERRAMIENTAS** antes de realizar reparaciones y al cambiar accesorios como hojas, brocas, cuchillas y elementos semejantes.
- REDUZCA EL RIESGO DE ENCENDIDO ACCIDENTAL**. Asegúrese de que el interruptor esté en la posición de apagado antes de enchufar.
- UTILICE ACCESORIOS RECOMENDADOS**. Consulte el manual de instrucciones para obtener información acerca de los accesorios recomendados. La utilización de accesorios inadecuados puede ocasionar lesiones personales.
- NUNCA SE PARE SOBRE LA HERRAMIENTA**. Si la herramienta se cae o alguien toca accidentalmente el elemento cortante, podrían producirse lesiones graves.
- VERIFIQUE QUE NO HAYA PIEZAS DAÑADAS**. Antes de volver a utilizar la herramienta, se deben controlar cuidadosamente los protectores o cualquier otra pieza dañada para asegurar el funcionamiento y el rendimiento apropiados de la herramienta en la aplicación deseada. Verifique la unidad para comprobar la alineación de las piezas móviles, si hay piezas dañadas o bloqueos, o cualquier otra situación que pueda afectar el funcionamiento de la herramienta. Los protectores u otras piezas dañadas deben ser correctamente reparados o reemplazados.
- NUNCA DEJE LA HERRAMIENTA EN FUNCIONAMIENTO Y SIN ATENCIÓN. DESCONECTE LA ENERGÍA**. No suelte la herramienta hasta que no se haya detenido por completo.
- PIEZAS DE REPUESTO IDÉNTICAS**. Al reparar, sólo utilice piezas de repuesto idénticas.
- PARA REDUCIR EL RIESGO DE DESCARGA ELÉCTRICA**:
  - Este equipo posee un enchufe polarizado (una hoja es más amplia que la otra). Este enchufe se ajustará en un tomacorriente polarizado de una sola manera. Si el enchufe no se ajusta bien, recurra a un electricista calificado para que instale un tomacorriente adecuado.
  - Es posible que la herramienta esté equipada con un enchufe a tierra de 3 patas. Este enchufe se debe usar solamente en un tomacorriente puesto a tierra. Si el enchufe no se ajusta bien, recurra a un electricista calificado para que instale un tomacorriente adecuado.
  - No altere el enchufe de ninguna manera.

## Reglas de seguridad adicionales para sierra trozadora

- Utilice siempre protección respiratoria y visual adecuada.
- Antes de usar, examine los discos de corte en busca de fisuras o defectos. Si detecta una fisura o un defecto, deseche el disco. El disco debe ser examinado cada vez que la herramienta se cae o que sospeche que se ha dejado caer. Los defectos pueden quebrar el disco.
- Al encender la herramienta con un disco nuevo o de repuesto, o si no está seguro de la condición del disco, sostenga la herramienta en un área protegida y hágala funcionar durante un minuto. Si el disco o el cepillo tiene una grieta o un defecto que pasó desapercibido, se desintegrará o separará en menos de un minuto. Nunca encienda la herramienta si una persona está parada frente al disco. Esta instrucción incluye al operador.
- Cuando la herramienta esté funcionando, evite rebotar al disco o maltratarlo. Si esto sucede, detenga la herramienta e inspeccione el disco para detectar grietas o defectos.
- NUNCA se ubique de modo que alguna parte del cuerpo quede en la misma línea que el trayecto de la hoja de la sierra. Se producirán lesiones graves.
- Limpie su sierra trozadora periódicamente siguiendo el procedimiento detallado en este manual.
- No saque la base ni los protectores del disco.
- PARA FIJAR EL TRABAJO EN FORMA SEGURA, UTILICE LA PRENSA O UN ACCESORIO ESPECIAL. También pueden ser apropiados otros accesorios, como las abrazaderas de resorte, las abrazaderas de barra o las abrazaderas en C, según los diferentes tamaños y formas de la pieza de trabajo. Sea cuidadoso al elegir y colocar estas abrazaderas y tómese el tiempo para ensayar cualquier corte con la sierra apagada antes de realizarlo.
- Utilice solamente discos tipo 1 de 35 cm (14"), calificados para funcionar a una velocidad de 4.100 rpm o mayor.
- Deje siempre que las piezas cortadas se enfríen antes de manejarlas.
- No trate de cortar madera o plástico con esta herramienta.
- NUNCA CORTE MAGNESIO CON ESTA HERRAMIENTA.
- Utilice la sierra trozadora en un área bien ventilada.
- Antes de extraer cualquier pieza de la base, apague la sierra trozadora.
- NO CORTE MATERIAL CON CORRIENTE.
- No utilice hojas de sierra circular o cualquier otro tipo de hojas dentadas en esta herramienta. Puede causar lesiones graves.
- NO OPERE ESTA HERRAMIENTA CERCA DE POLVO, GASES O LÍQUIDOS INFLAMABLES. Las chispas o las astillas calientes que originan los cepillos motorizados a partir de la formación de arcos eléctricos o durante los cortes pueden encender los materiales combustibles.
- No use el lado abrasivo del disco como una esmeriladora de desbarbado. Esto debilitará el disco considerablemente y creará una condición insegura. Los discos se pueden partir.
- ADVERTENCIA: Algunas partículas originadas al lijar, aserrar, amolar, taladrar y realizar otras actividades de construcción contienen productos químicos que producen cáncer, defectos de nacimiento y otros problemas reproductivos. Algunos ejemplos de estos productos químicos son:
  - el plomo de las pinturas de base plomo,
  - la sílice cristalina de ladrillos, el cemento y otros productos de mampostería, y
  - el arsénico y el cromo de la madera con tratamiento químico.

El riesgo derivado de estas exposiciones varía según la frecuencia con la que se realice este tipo de trabajo. Para reducir la exposición a estos productos químicos, se recomienda trabajar en áreas bien ventiladas y usar equipos de seguridad aprobados, como las máscaras para polvo especialmente diseñadas para filtrar las partículas microscópicas.

- Evite el contacto prolongado con las partículas de polvo originadas al lijar, aserrar, esmerilar, taladrar y realizar demás actividades de la construcción. Use indumentaria protectora y lave las áreas expuestas con agua y jabón. Evite que el polvo entre en la boca y en los ojos o se deposite en la piel, para impedir la absorción de productos químicos nocivos.

ADVERTENCIA: El uso de esta herramienta puede generar o dispersar partículas de polvo, que pueden causar lesiones respiratorias permanentes y graves u otras lesiones. Use siempre protección respiratoria apropiada para la exposición al polvo aprobada por el Instituto Nacional de Salud y Seguridad Ocupacional de EE.UU. y la Administración de Salud y Seguridad Ocupacional de EE.UU. (NIOSH y OSHA respectivamente, por sus siglas en inglés). Aleje la cara y el cuerpo del contacto con las partículas.

ADVERTENCIA: USE SIEMPRE LENTES DE SEGURIDAD. Los anteojos de uso diario NO son lentes de seguridad. Utilice también máscaras faciales o para polvo si el corte produce polvillo. Utilice SIEMPRE equipos de seguridad certificados:

- Protección para los ojos según la norma ANSI Z87.1 (CAN/CSA Z94.3)
- Protección auditiva según la norma ANSI S12.6 (S3.19)
- protección respiratoria según las normas NIOSH/OSHA/MSHA.

PRECAUCIÓN: Mientras use la herramienta, utilice la protección auditiva adecuada. En determinadas condiciones y según el período de uso, el ruido provocado por este producto puede originar pérdida de audición.

PRECAUCIÓN: El deflector de chispas se calienta. Evite tocarlo o ajustarlo mientras está caliente. Mantenga cables y materiales alejados del deflector de chispas.

- La etiqueta de su herramienta puede incluir los siguientes símbolos. Los símbolos y sus definiciones son los siguientes:

V..... voltios	A..... amperios
Hz..... hertz	W..... vatios
min..... minutos	~..... corriente alterna
====..... corriente directa	n <sub>0</sub> ..... velocidad sin carga
Ⓢ..... Construcción de Clase I (con cable a tierra)	Ⓣ..... terminal a tierra
Ⓜ..... Construcción Clase II (con aislamiento doble)	▲..... símbolo de alerta de seguridad
BPM..... golpes por minuto	.../min..... revoluciones u oscilaciones por minuto

Para su comodidad y seguridad, la sierra trozadora de 355 mm (14") para trabajo pesado incluye las siguientes advertencias:

## ▲ LEA EL MANUAL DE INSTRUCCIONES DE LA HERRAMIENTA PARA UN FUNCIONAMIENTO SEGURO.

**NO UTILICE HOJAS DENTADAS.**

**UTILICE SÓLO DISCOS REFORZADOS PARA 4.100 RPM O MÁS.**

**AL REPARAR, SÓLO UTILICE PIEZAS DE REPUESTO IDÉNTICAS.**

**SIEMPRE USE PROTECCIÓN VISUAL Y RESPIRATORIA ADECUADA, ASEGURE EL TRABAJO EN LA PRENSA Y UTILICE LOS PROTECTORES.**

**NO EXPONGA A LA LLUVIA NI UTILICE EN LUGARES HÚMEDOS.**

### Características (Fig. 1, 7)

- |                                      |  |
|--------------------------------------|--|
| A. Clavija de bloqueo                | J. Disco                                     |
| B. Tornillo del deflector de chispas | K. Protector contra chispas                  |
| C. Deflector de chispas              | L. Palanca de bloqueo del disco              |
| D. Base                              | M. Interruptor disparador                    |
| E. Guía                              | N. Orificio para el candado                  |
| F. Prensa                            | O. Perno extra para la hoja                  |
| G. Llave Allen de 8 mm               | P. Arandela para el perno extra para la hoja |
| H. Manivela                          | Q. abrazadera de hoja Quick-Change           |
| I. Palanca de la prensa              |  |

### Fuente de energía

Asegúrese de que la fuente de energía concuerde con lo que se indica en la placa. 120 voltios, "60 Hz" significa corriente alterna (corriente normal de 120 voltios, 60 Hz corriente en el hogar).

Un descenso en el voltaje de más del 10% producirá una pérdida de potencia y sobrecalentamiento.

### Capacidad de corte

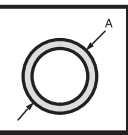
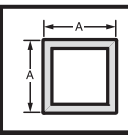
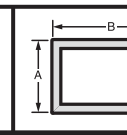
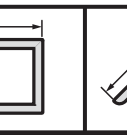
La abertura amplia de la prensa y el punto pivote alto suministran una capacidad de corte para muchas piezas grandes. Consulte el cuadro sobre la capacidad de corte para determinar el tamaño máximo de cortes que se pueden realizar con un disco nuevo.

**▲PRECAUCIÓN: ES POSIBLE QUE PARA CIERTOS OBJETOS GRANDES O CON FORMA CIRCULAR O IRREGULAR SE REQUIERA UN SOSTÉN ADICIONAL, SI NO SE PUEDEN SOSTENER CON FIRMEZA EN LA PRENSA.**

**▲PRECAUCIÓN: NO CORTE MAGNESIO CON ESTA HERRAMIENTA. De lo contrario, la sierra se puede dañar o se pueden producir lesiones personales.**

#### CAPACIDAD MÁXIMA DE CORTE

**NOTA:** La capacidad que muestra el cuadro supone que el disco no está desgastado y que la posición de la guía es correcta.

PIEZA DE TRABAJO	ÁNGULO DE CORTE			
	90°			
	127 mm 5"	119,4 mm 4,7"	114 x 165 mm 4,5" x 6,5" 76 x 228,6 mm 3" x 9"	142,2 mm 5,6"

### Equipo estándar

- 1 Disco abrasivo para cortar metales de 355 mm (14")
- 1 Llave Allen
- 1 Manual de instrucciones

### Para transportar (Fig. 1)

Doble la unidad en una posición en la que pueda transportar la sierra. Presione la clavija de bloqueo (A) para trabar el brazo.

### Desbloqueo (Fig. 1)

Para destrabar la herramienta y elevar el cabezal, oprima levemente el brazo del motor y tire hacia afuera de la clavija de bloqueo (A). El brazo del motor girará hacia arriba.

### Soporte y sujeción del material

- Los ángulos se aseguran y cortan mejor con ambas patas apoyadas contra la base.
- Para aumentar la utilización del disco, puede usar un bloque espaciador levemente más angosto que la pieza de trabajo (Fig. 3).
- Las piezas grandes de trabajo se deben sostener mediante un bloque para estar al mismo nivel que la parte superior de la base (Fig. 4). El extremo cortante debe estar libre para poder descender y evitar el atascamiento del disco.

### Ajuste del deflector de chispas (Fig. 1)

Para desviar mejor las chispas de las personas y los materiales circundantes, afloje el tornillo (B), ajuste el deflector de chispas (C) y vuelva a ajustar el tornillo.

**PRECAUCIÓN:** Riesgo de daño a la propiedad. No permita que el cable entre en contacto con el deflector o las chispas para evitar que se dañe.

### Operación de la prensa (Fig. 5)

La prensa tiene un recorrido rápido. Para aflojar la prensa (F) cuando está muy asegurada, gire la manivela (H) en sentido contrario a las agujas del reloj una o dos veces. Esto eliminará la presión de la sujeción. Eleve la palanca de la prensa (I). Tire hacia afuera del conjunto de la manivela tanto como desee. La prensa se puede utilizar con la pieza de trabajo sin accionar la manivela. Baje la palanca de la prensa y luego ajuste la prensa sobre la pieza de trabajo mediante la manivela.

### Operación de la guía (Fig. 5)

**▲ADVERTENCIA:** Para reducir el riesgo de lesiones, apague la unidad y desconéctela de la fuente de alimentación antes de instalar o retirar accesorios, ajustar o cambiar configuraciones o realizar reparaciones. Asegúrese de que el interruptor esté en la posición OFF (de apagado). Un arranque accidental podría causar lesiones.

Para ajustar la guía (E) no se requieren herramientas. La palanca de sujeción de liberación rápida (T) traba y destraba la guía. Cuando la palanca está rotada completamente hacia adelante, la guía está destrabada. En esa posición, la guía se puede mover libremente hacia adelante y hacia atrás, o se puede girar a fin de lograr la mejor posición de corte para usar un disco nuevo y a medida que el disco se desgasta.

Rotar la palanca totalmente hacia atrás traba la guía en la posición seleccionada. Si la pata inferior de la palanca no está horizontal (paralela a la base), la guía no está trabada. La palanca sólo traba la guía cuando existe mucha resistencia para moverla hacia atrás. Si la resistencia es menor, ajuste levemente los dos pernos (R) que sostienen la guía a la base para regular la fuerza de sujeción. Vuelva a sujetar e intente mover la guía para probar si está bien asegurada.

### Ajuste del ángulo de la guía (Fig. 6)

**▲ADVERTENCIA:** Para reducir el riesgo de lesiones, apague la unidad y desconéctela de la fuente de alimentación antes de instalar o retirar accesorios, ajustar o cambiar configuraciones o realizar reparaciones. Asegúrese de que el interruptor esté en la posición OFF (de apagado). Un arranque accidental podría causar lesiones.

El indicador de ajuste de ángulo forma parte del sistema de sujeción de la guía. Alinee la línea del indicador que señala el ángulo deseado con el borde de la ranura en la base.

#### PARA LOGRAR UN CORTE MÁS PRECISO

1. destrabe la guía.
2. Empuje el brazo hacia abajo hasta que el disco se extienda en la base.
3. Coloque una regla contra el disco y ajuste la guía usando la regla.
4. Trabe la guía en esa posición.

### Uso (Fig. 1, 2)

Consulte la Figura 3 para conocer las posiciones correctas del cuerpo durante el uso.

Para arrancar la herramienta, oprima el interruptor disparador (M). Para apagar la herramienta, suelte el interruptor disparador. Mantenga las manos y el material alejados del disco hasta que éste pare.

Para evitar el uso no autorizado de la herramienta, instale un candado estándar (no incluido) en el orificio para el candado (N) que está en el disparador.

### Instalación y extracción del disco (Fig. 7)

**▲ADVERTENCIA:** Para reducir el riesgo de lesiones, apague la unidad y desconéctela de la fuente de alimentación antes de instalar o retirar accesorios, ajustar o cambiar configuraciones o realizar reparaciones. Asegúrese de que el interruptor esté en la posición OFF (de apagado). Un arranque accidental podría causar lesiones.

La abrazadera de hoja Quick-Change no requiere herramientas para cambiar la hoja.

1. Empuje hacia adentro la palanca de bloqueo (L) y gire el disco (J) manualmente hasta que la palanca de bloqueo del disco se enganche en la brida interna (S) para trabar el disco. Afloje la abrazadera de hoja Quick-Change (Q) en el sentido de las agujas del reloj. La abrazadera enrosca hacia la derecha.
2. Retire manualmente la abrazadera de hoja Quick-Change (Q), la arandela de sujeción de la hoja (U) y el disco viejo (J).

3. Asegúrese de que las superficies de la brida estén limpias y llanas. Para instalar el disco abrasivo nuevo, ejecute los pasos anteriores en sentido inverso.

4. Ajuste la abrazadera de hoja Quick-Change en el sentido de las agujas del reloj hasta escuchar que la perilla hace clic como mínimo tres veces para asegurarse de que el perno está ajustado. La abrazadera de hoja Quick-Change no debe ajustarse demasiado.

**NOTA:** Nota: Un sistema de abrazadera de hoja con llave, que incluye un perno para la hoja con arandela, (Fig. 7 O, P) está disponible a un costo adicional en su distribuidor local o en un centro de mantenimiento autorizado. Llame al 1-800-4-DEWALT (1-800-433-9258) para obtener más información. Cuando utilice el sistema de abrazadera de hoja con llave, no ajuste demasiado el perno.

**▲ADVERTENCIA:** Riesgo de lesiones personales. Cuando reemplace el disco abrasivo por uno nuevo, controle la superficie de trabajo en la que se apoya la sierra trozadora. Es posible que el disco entre en contacto con ELEMENTOS O ALGUNA ESTRUCTURA QUE SE EXTIENDE POR ENCIMA de la superficie (debajo de la base) cuando el brazo se encuentra totalmente bajo.

### Montaje (Fig. 8, 9)

**▲PRECAUCIÓN:** Para evitar movimientos inesperados durante el funcionamiento, la herramienta se debe apoyar en una superficie estable, nivelada y antideslizante.

#### PROCEDIMIENTO PARA EL MONTAJE PERMANENTE

1. Perfore cuatro orificios de 8 mm (5/16") a través de la superficie de trabajo (Fig. 8).
2. Introduzca tornillos de 1/4-20 en los orificios de la base y en los orificios de la superficie de montaje. El largo aproximado de los tornillos debe ser igual al espesor de la superficie de montaje más 102 mm (4").

#### MONTAJE DE LA BASE

1. Corte dos tablas de aproximadamente 508 mm de largo x 50,8 mm de alto x 101,6 mm de ancho (20" x 2" x 4").
2. Coloque la sierra trozadora en la posición de trabajo deseada.
3. Coloque las tablas ceñidas, una al lado de la otra, y clávelas a la superficie de trabajo (Fig. 9).

### Consejos de operación para lograr cortes más precisos

- Deje que el disco efectúe el corte. La fuerza excesiva disminuirá la eficiencia de corte del disco por exceso de abrasivo y/o provocará desvíos que darán origen a cortes imprecisos.
- Ajuste adecuadamente el ángulo de la guía.
- Asegúrese de que el material esté en posición horizontal sobre la base.
- Sujete el material correctamente para evitar que se mueva y vibre.

### MANTENIMIENTO

**▲ADVERTENCIA:** Para reducir el riesgo de lesiones, apague la unidad y desconéctela de la fuente de alimentación antes de instalar o retirar accesorios, ajustar o cambiar configuraciones o realizar reparaciones. Asegúrese de que el interruptor esté en la posición OFF (de apagado). Un arranque accidental podría causar lesiones.

#### INSPECCIÓN Y REEMPLAZO DE LOS CEPILLOS MOTORIZADOS (FIG. 10)

Los cepillos deben ser examinados con frecuencia para controlar su desgaste. Para examinar los cepillos, desatornille los dos tornillos (W) de la tapa final (V) y retirela. Retire la tapa de los cepillos (X). Los cepillos (Y) deben deslizarse libremente en la caja de los cepillos. Si los cepillos presentan un desgaste de 8 mm (0,3"), como se muestra en la Figura 10, deben ser reemplazados. Para volver a instalar, presione el cepillo nuevo hacia atrás en la caja de los cepillos. Si desea reemplazar un cepillo existente, hágalo conservando la misma orientación del cepillo que sacó. Vuelva a colocar la tapa de los cepillos (no la ajuste demasiado). Vuelva a colocar la tapa final y los dos tornillos. Ajuste bien.

### Limpieza

**▲ADVERTENCIA:** Sople la suciedad y el polvo de la cubierta principal con aire seco cada vez que vea que se acumulan en o alrededor de los orificios de ventilación. Para ejecutar este procedimiento, use protección visual avalada por la norma ANSI Z87.1 (CAN/CSA Z94.3).

**▲ADVERTENCIA:** Nunca utilice solventes u otros químicos fuertes cuando limpie las piezas no metálicas de la herramienta. Estos químicos pueden debilitar los materiales plásticos utilizados en estas partes. Use un paño humedecido con agua y jabón suave. Nunca permita que le entre ningún tipo de líquido a la herramienta; jamás sumerja ninguna parte de la herramienta a un líquido.

### Reparaciones

Para garantizar la SEGURIDAD y la CONFIABILIDAD, las reparaciones, el mantenimiento y los ajustes (incluida la inspección y reemplazo de cepillos) deben ser realizados por un centro de mantenimiento de fábrica de DEWALT, un centro de mantenimiento DEWALT autorizado u otro personal de mantenimiento calificado. Utilice siempre piezas de repuesto idénticas.

**NOTA:** El cable de la unida se puede cambiar por un juego de cables seguros por giro de tres conductores en un centro de mantenimiento autorizado.

### Lubricación

Se utilizan rodamientos cerrados, sellados con grasa, en toda la sierra. Estos rodamientos están suficientemente lubricados de fábrica y perduran a lo largo de la vida útil de la sierra trozadora.

### Accesorios

**▲ADVERTENCIA:** debido a que no se han probado con este producto otros accesorios que no sean los que ofrece DEWALT, el uso de dichos accesorios podría ser peligroso. Para reducir el riesgo de lesiones, con este producto deben usarse sólo los accesorios DEWALT recomendados.

Utilice solamente discos tipo 1 de unión orgánica y alta resistencia, calificados para funcionar a una velocidad de 4.100 rpm o mayor.

Los accesorios que se recomiendan para utilizar con la herramienta están disponibles a un costo adicional en su distribuidor local o en un centro de mantenimiento autorizado. Si necesita ayuda para localizar algún accesorio para su herramienta, comuníquese con DEWALT Industrial Tool Co., 701 East Joppa Road, Baltimore, MD 21286, llame al 1-800-4-DEWALT (1-800-433-9258) o visite nuestro sitio Web [www.dewalt.com](http://www.dewalt.com).

### Póliza de Garantía

#### IDENTIFICACIÓN DEL PRODUCTO:

Sello o firma del Distribuidor.

Nombre del producto: \_\_\_\_\_ Mod./Cat.: \_\_\_\_\_

Marca: \_\_\_\_\_ Núm. de serie: \_\_\_\_\_

(Datos para ser llenados por el distribuidor)

Fecha de compra y/o entrega del producto: \_\_\_\_\_

Nombre y domicilio del distribuidor donde se adquirió el producto:

Este producto está garantizado por un año a partir de la fecha de entrega, contra cualquier defecto en su funcionamiento, así como en materiales y mano de obra empleados para su fabricación. Nuestra garantía incluye la reparación o reposición del producto y/o componentes sin cargo alguno para el cliente, incluyendo mano de obra, así como los gastos de transportación razonablemente erogados derivados del cumplimiento de este certificado.

Para hacer efectiva esta garantía deberá presentar su herramienta y esta póliza sellada por el establecimiento comercial donde se adquirió el producto, de no contar con ésta, bastará la factura de compra.

#### EXCEPCIONES.

Esta garantía no será válida en los siguientes casos:

- Cuando el producto se hubiese utilizado en condiciones distintas a las normales;
- Cuando el producto no hubiese sido operado de acuerdo con el instructivo de uso que se acompaña;
- Cuando el producto hubiese sido alterado o reparado por personas distintas a las enlistadas al final de este certificado.

Anexo encontrará una relación de sucursales de servicio de fábrica, centros de servicio autorizados y franquiciados en la República Mexicana, donde podrá hacer efectiva su garantía y adquirir partes, refacciones y accesorios originales.

### Garantía limitada de tres años

DEWALT reparará sin cargo cualquier defecto ocasionado por materiales defectuosos o mano de obra, durante tres años a partir de la fecha de compra. Esta garantía no cubre fallas en las piezas que resulten del desgaste normal de la herramienta o de su utilización inadecuada. Para obtener información detallada sobre la cobertura de la garantía y sobre reparaciones, visite nuestra página Web [www.dewalt.com](http://www.dewalt.com) o llame al 1-800-4-DEWALT (1-800-433-9258). Esta garantía no se extiende a los accesorios o a los daños causados por terceros al intentar realizar reparaciones. Esta garantía le concede derechos legales específicos; usted goza también de otros derechos que varían según el estado o provincia.

Además de la garantía, las herramientas DEWALT están cubiertas por nuestro:

**SERVICIO GRATUITO DE 1 AÑO**

DEWALT realiza el mantenimiento de la herramienta y reemplaza las piezas gastadas tras el uso normal, sin costo alguno, en cualquier momento durante el primer año después de la compra.

**GARANTÍA DE REEMBOLSO DE DINERO DE 90 DÍAS**

Si por alguna razón no estuviera plenamente satisfecho con el rendimiento de la herramienta eléctrica, el láser o la clavadora DEWALT, puede devolver el producto dentro de los 90 días siguientes a la fecha de compra acompañado del recibo. De esta manera, se le reintegrará el importe total del producto sin formularle pregunta alguna.

**AMÉRICA LATINA:** esta garantía no se aplica a los productos que se venden en América Latina. Para los productos que se venden en América Latina, debe consultar la información de la garantía específica del país que viene en el empaque, llamar a la compañía local o visitar el sitio Web a fin de obtener esa información.

**REEMPLAZO GRATUITO DE LAS ETIQUETAS DE ADVERTENCIA:** si sus etiquetas de advertencia se tornan ilegibles o faltan, llame al 1-800-4-DEWALT para que se las reemplacen gratuitamente.



**PARA REPARACIÓN Y SERVICIO DE SUS HERRAMIENTAS ELÉCTRICAS,  
FAVOR DE DIRIGIRSE AL CENTRO DE SERVICIO MÁS CERCANO**

**CULIACAN, SIN**

Blvd.Emiliano Zapata 5400-1 Poniente  
Col. San Rafael (667) 717 89 99

**GUADALAJARA, JAL**

Av. La Paz #1779 - Col. Americana Sector Juárez (33) 3825 6978

**MEXICO, D.F.**

Eje Central Lázaro Cárdenas No. 18  
Local D, Col. Obrera (55) 5588 9377

**MERIDA, YUC**

Calle 63 #459-A - Col. Centro (999) 928 5038

**MONTERREY, N.L.**

Av. Francisco I. Madero 831 Poniente - Col. Centro (818) 375 23 13

**PUEBLA, PUE**

17 Norte #205 - Col. Centro (222) 246 3714

**QUERETARO, QRO**

Av. San Roque 274 - Col. San Gregorio (442) 2 17 63 14

**SAN LUIS POTOSI, SLP**

Av. Universidad 1525 - Col. San Luis (444) 814 2383

**TORREON, COAH**

Blvd. Independencia, 96 Pte. - Col. Centro (871) 716 5265

**VERACRUZ, VER**

Prolongación Díaz Mirón #4280 - Col. Remes (229) 921 7016

**VILLAHERMOSA, TAB**

Constitución 516-A - Col. Centro (993) 312 5111

**PARA OTRAS LOCALIDADES:**

**Si se encuentra en México, por favor llame al (55) 5326 7100**

**Si se encuentra en U.S., por favor llame al**

**1-800-433-9258 (1-800 4-DEWALT)**

**ESPECIFICACIONES**

**D28715**

Tensión de alimentación: 120 V AC ~  
Consumo de corriente: 15 A  
Frecuencia de alimentación: 50/60 Hz  
Potencia nominal: 1 650 W  
Rotación sin carga: 4 000/min

SOLAMENTE PARA PROPÓSITO DE MÉXICO:  
IMPORTADO POR: DEWALT S.A. DE C.V.  
BOSQUES DE CIDROS, ACCESO RADIATAS NO.42  
3A. SECCIÓN DE BOSQUES DE LAS LOMAS  
DELEGACIÓN CUAJIMALPA,  
05120, MÉXICO, D.F.  
TEL. (52) 555-326-7100  
R.F.C.: BDE810626-1W7

Para servicio y ventas consulte  
"HERRAMIENTAS ELÉCTRICAS"  
en la sección amarilla.

