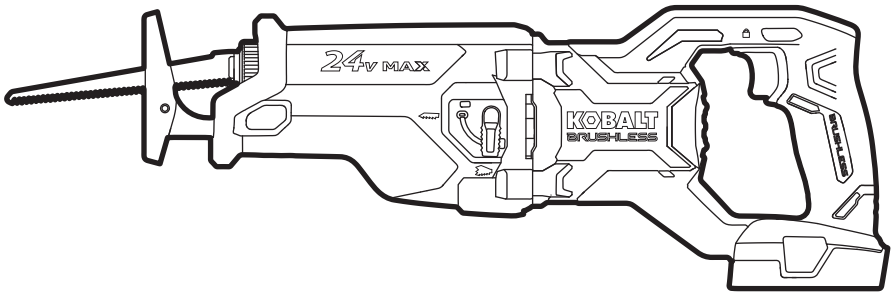


# KOBALT™



ITEM #1518743/1518747

## BRUSHLESS RECIPROCATING SAW

MODEL #KXRS 124B-03

Español p. 15

---

ATTACH YOUR RECEIPT HERE

Serial Number \_\_\_\_\_ Purchase Date \_\_\_\_\_



**Questions, problems, missing parts?** Before returning to your retailer, call our customer service department at 1-888-3KOBALT (1-888-356-2258), 8 a.m. - 8 p.m., EST, Monday - Sunday.

## TABLE OF CONTENTS

---

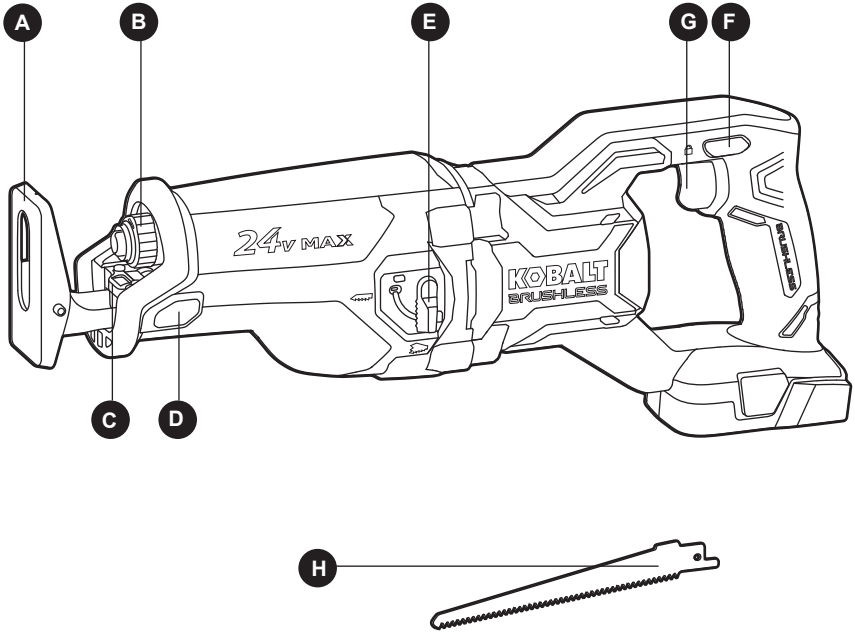
|                             |    |
|-----------------------------|----|
| Product Specifications..... | 2  |
| Packaging Contents.....     | 3  |
| Safety Information.....     | 4  |
| Preparation.....            | 8  |
| Operating Instructions..... | 9  |
| Care and Maintenance.....   | 14 |
| Troubleshooting.....        | 14 |
| Warranty.....               | 14 |

## PRODUCT SPECIFICATIONS

---

| COMPONENT             | SPECIFICATION                        |
|-----------------------|--------------------------------------|
| Rated voltage         | 24V d.c.                             |
| No-load speed         | 0-3100 SPM                           |
| Blade stroke          | 1 1/4in.                             |
| Cutting capacity      | Wood Depth 300mm<br>Steel Depth 20mm |
| Operating temperature | -4°F (-20°C) - 113°F (45°C)          |
| Charging temperature  | 41°F (5°C) - 104°F (40°C)            |

**PACKAGE CONTENTS**



| PART | DESCRIPTION        |
|------|--------------------|
| A    | Base shoe          |
| B    | Blade clamp        |
| C    | LED work light     |
| D    | Shoe-release lever |

| PART | DESCRIPTION                   |
|------|-------------------------------|
| E    | Orbital-function lever        |
| F    | Switch-lock button            |
| G    | Variable-speed trigger switch |
| H    | Saw blade                     |

**⚠ WARNING**

- Remove the tool from the package and examine it carefully. Do not discard the carton or any packaging material until all parts have been examined.
- If any part of the tool is missing or damaged, do not attach the battery pack or use the tool until the part has been repaired or replaced. Failure to heed this warning could result in serious injury.



## SAFETY INFORMATION

---

Please read and understand this entire manual before attempting to assemble or operate this product. If you have any questions regarding the product, please call customer service at 1-888-3KOBALT, 8 a.m. - 8 p.m., EST, Monday - Sunday.



### WARNING

- The operation of any power tool can result in foreign objects being thrown into your eyes, which can result in severe eye damage. Before beginning power-tool operation, always wear safety goggles or safety glasses with side shields and a full-face shield, when needed. We recommend using a wide vision safety mask over eyeglasses or standard safety glasses with shields. Always use eye protection marked to comply with ANSI Z87.1.
- Some dust created by power sanding, sawing, grinding, drilling, and other construction activities contains chemicals known to the state of California to cause cancer, birth defects, or other reproductive harm. Some examples of these chemicals are:
  - Lead from lead-based paints
  - Crystalline silica from bricks, cement, and other masonry products
  - Arsenic and chromium from chemically-treated lumber
- Your risk from these exposures varies, depending upon how often you do this type of work. To reduce your exposure to these chemicals:
  - Work in a well-ventilated area.
  - Work with approved safety equipment, such as dust masks that are specially designed to filter out microscopic particles.
  - Avoid prolonged contact with dust from power sanding, sawing, grinding, drilling, and other construction activities. Wear protective clothing and wash exposed areas with soap and water. Allowing dust to get into your mouth or eyes or to lie on the skin may promote absorption of harmful chemicals.

### Know the Tool

To operate this tool, carefully read this manual and all labels affixed to the tool before using it. Keep this manual available for future reference.




### Important

This tool should be serviced only by a qualified service technician.

## SAFETY INFORMATION

### Read All Instructions Thoroughly

Some of the following symbols may be used on this tool. Please study them and their meaning. Proper interpretation of these symbols will allow you to operate the tool better and more safely.

| SYMBOL  | DEFINITION   | SYMBOL  | DEFINITION   |
|---|--|---|--|
| V   | Volts  | $n_0$   | No-load Speed  |
|  or d.c. | Direct Current   | SPM   | Stroke per Minute  |
|          | WARNING- To reduce the risk of injury, user must read instruction manual |  | A danger, warning or caution. It means 'Attention! Your safety is involved.' |
| °F  | degree Fahrenheit  | °C  | degrees centigrade   |

### General Power Tool Safety Warnings

#### WARNING

- **Read all safety warnings, instructions, illustrations and specifications provided with this power tool.** Failure to follow all instructions listed below may result in electric shock, fire and/or serious injury.

#### Save all warnings and instructions for future reference

The term “power tool” in the warnings refers to your mains-operated (corded) power tool or battery-operated (cordless) power tool.

#### Work Area Safety

- **Keep work area clean and well lit.** Cluttered or dark areas invite accidents.
- **Do not operate power tools in explosive atmospheres, such as in the presence of flammable liquids, gases or dust.** Power tools create sparks, which may ignite the dust or fumes.
- **Keep children and bystanders away while operating a power tool.** Distractions can cause you to lose control.

#### Electrical Safety

- **Power tool plugs must match the outlet. Never modify the plug in any way. Do not use any adaptor plugs with earthed (grounded) power tools.** Unmodified plugs and matching outlets will reduce the risk of electric shock.
- **Avoid body contact with earthed or grounded surfaces such as pipes, radiators, ranges and refrigerators.** There is an increased risk of electric shock if your body is earthed or grounded.
- **Do not expose power tools to rain or wet conditions.** Water entering a power tool will increase the risk of electric shock.
- **Do not abuse the cord. Never use the cord for carrying, pulling or unplugging the power tool. Keep cord away from heat, oil, sharp edges or moving parts.** Damaged or entangled cords increase the risk of electric shock.



## SAFETY INFORMATION

---

- **When operating a power tool outdoors, use an extension cord suitable for outdoor use.** Use of a cord suitable for outdoor use reduces the risk of electric shock.
- **If operating a power tool in a damp location is unavoidable, use a residual current device (RCD) protected supply.** Use of an RCD reduces the risk of electric shock.

### Personal Safety

- **Stay alert, watch what you are doing and use common sense when operating a power tool. Do not use a power tool while you are tired or under the influence of drugs, alcohol or medication.** A moment of inattention while operating power tools may result in serious personal injury.
- **Use personal protective equipment. Always wear eye protection.** Protective equipment such as a dust mask, non-skid safety shoes, hard hat or hearing protection used for appropriate conditions will reduce personal injuries
- **Prevent unintentional starting. Ensure the switch is in the off-position before connecting to power source and/or battery pack, picking up or carrying the tool.** Carrying power tools with your finger on the switch or energizing power tools that have the switch on invites accidents.
- **Remove any adjusting key or wrench before turning the power tool on.** A wrench or a key left attached to a rotating part of the power tool may result in personal injury.
- **Do not overreach. Keep proper footing and balance at all times.** This enables better control of the power tool in unexpected situations.
- **Dress properly. Do not wear loose clothing or jewelry. Keep your hair and clothing away from moving parts.** Loose clothes, jewelry or long hair can be caught in moving parts.
- **If devices are provided for the connection of dust extraction and collection facilities, ensure that these are connected and properly used.** Use of dust collection can reduce dust-related hazards
- **Do not let familiarity gained from frequent use of tools allow you to become complacent and ignore tool safety principles.** A careless action can cause severe injury within a fraction of a second.

### Power tool use and care

- **Do not force the power tool. Use the correct power tool for your application.** The correct power tool will do the job better and safer at the rate for which it was designed.
- **Do not use the power tool if the switch does not turn it on and off.** Any power tool that cannot be controlled with the switch is dangerous and must be repaired.
- **Disconnect the plug from the power source and/or remove the battery pack, if detachable, from the power tool before making any adjustments, changing accessories, or storing power tools.** Such preventive safety measures reduce the risk of starting the power tool accidentally.
- **Store idle power tools out of the reach of children and do not allow persons unfamiliar with the power tool or these instructions to operate the power tool.** Power tools are dangerous in the hands of untrained users.
- **Maintain power tools and accessories. Check for misalignment or binding of moving parts, breakage of parts and any other condition that may affect the power tool's operation. If damaged, have the power tool repaired before use.** Many accidents are caused by poorly maintained power tools.
- **Keep cutting tools sharp and clean.** Properly maintained cutting tools with sharp cutting edges are less likely to bind and are easier to control.



## SAFETY INFORMATION

---

- **Use the power tool, accessories and tool bits etc. in accordance with these instructions, taking into account the working conditions and the work to be performed.** Use of the power tool for operations different from those intended could result in a hazardous situation.
- **Keep handles and grasping surfaces dry, clean and free from oil and grease.** Slippery handles and grasping surfaces do not allow for safe handling and control of the tool in unexpected situations.

### Battery tool Use and Care

- **Recharge only with the charger specified by the manufacturer.** A charger that is suitable for one type of battery pack may create a risk of fire when used with another battery pack.
- **Use power tools only with specifically designated battery packs.** Use of any other battery packs may create a risk of injury and fire.
- **When battery pack is not in use, keep it away from other metal objects, like paper clips, coins, keys, nails, screws or other small metal objects, that can make a connection from one terminal to another.** Shorting the battery terminals together may cause burns or a fire.
- **Under abusive conditions, liquid may be ejected from the battery; avoid contact. If contact accidentally occurs, flush with water. If liquid contacts eyes, additionally seek medical help.** Liquid ejected from the battery may cause irritation or burns
- **Do not use a battery pack or tool that is damaged or modified.** Damaged or modified batteries may exhibit unpredictable behavior resulting in fire, explosion or risk of injury.
- **Do not expose a battery pack or tool to fire or excessive temperature.** Exposure to fire or temperature above 130°C may cause explosion.
- **Follow all charging instructions and do not charge the battery pack or tool outside the temperature range specified in the instructions.** Charging improperly or at temperatures outside the specified range may damage the battery and increase the risk of fire.

### Service

- **Have your power tool serviced by a qualified repair person using only identical replacement parts.** This will ensure that the safety of the power tool is maintained.
- **Never service damaged battery packs.** Service of battery packs should only be performed by the manufacturer or authorized service providers.
- Specific Safety Warnings for Reciprocating Saw
- **Hold the power tool by insulated gripping surfaces, when performing an operation where the cutting accessory may contact hidden wiring.** Cutting accessory contacting a “live” wire may make exposed metal parts of the power tool “live” and could give the operator an electric shock.
- **Use clamps or another practical way to secure and support the workpiece to a stable platform.**  *Holding the workpiece by hand or against your body leaves it unstable and may lead to loss of control.*
- Keep hands away from cutting area. Do not reach under the material being cut. The proximity of the blade to your hand is hidden from your sight.
- Always disconnect the plug from the power source before changing the saw blade.
- Make certain that all adjusting levers and the blade holder are tight before making a cut. Loose adjusting levers and holders can cause the tool or blade to slip; loss of control may result.
- Check that the switch is “off” before connecting the plug to a power source. Accidental starting could cause injury.
- Never touch the saw blade after immediate use. It may be hot after prolonged use.



## **SAFETY INFORMATION**

---

- Always wear safety goggles or eye protection when using this tool. Use a dust mask or respirator or connect the tool to an external dust vacuum if cutting generates a great amount of dust.

## **PREPARATION**

---

### **Know Your Reciprocating Saw**

This reciprocating saw can be used for the purpose listed: cutting wood product, plastic and metal material. Before attempting to use the reciprocating saw, familiarize yourself with all of its operating features and safety requirements.




### **WARNING**

- Do not allow familiarity with the tool to cause carelessness. Remember that one careless moment is enough to cause severe injury. Before attempting to use any tool, be sure to become familiar with all of the operating features and safety instructions.
- Do not attempt to modify this tool or create accessories not recommended for use with this tool. Any such alteration or modification is misuse and could result in a hazardous condition leading to possible serious personal injury.

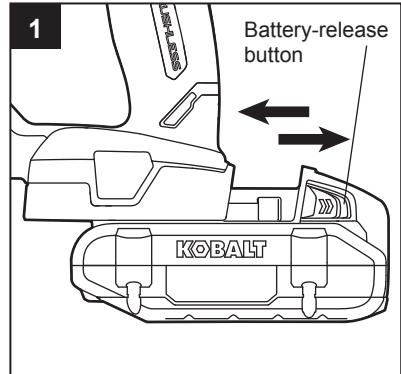


## OPERATING INSTRUCTIONS


### 1. To Attach Battery Pack

- Press the switch-lock button (F) to the lock position .
- Align the raised portion on the battery pack with the grooves on the bottom of the tool, then slide the battery pack onto the tool, as shown.
- Make sure that the latches on the battery pack snap into place and the battery pack is secured to the tool before beginning operation.


**NOTICE:** When placing the battery pack on the tool, be sure that the raised rib on the battery pack aligns with the groove on the tool and the latches snap into place properly. Improper assembly of the battery pack can cause damage to internal components.



### To Detach Battery Pack

- Press the switch lock button (F) to the lock position .
- Press the battery-release buttons to release the battery pack.
- Pull forward on the battery pack to remove it from the tool.

### WARNING

- Battery tools are always in operating condition. Therefore, always press the switch lock button marked  to lock the switch or remove the battery pack when the saw is not in use or when carrying the saw at your side.

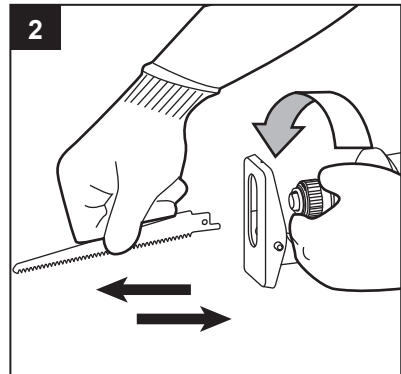
### 2. Blade Selection

To obtain the best performance from the saw, it is important to select the correct blade for the application and type of material to be cut.

Blades with fewer teeth, e.g., 10 teeth per inch (TPI), are typically used for cutting wood; blades with more teeth are better for cutting metal or plastic. We recommend 14 TPI blades for plastics and soft metals and 18 TPI blades for hard metals.

### Installing a Saw Blade

- Remove the battery pack from the saw.
- Rotate the sleeve around the blade clamp (B) counterclockwise to open the clamp.
- Insert the saw blade (H) into the blade clamp as far as possible and release the sleeve to lock the blade in position.
- Check that the blade is securely attached.



### Removing the Saw Blade

- Rotate the sleeve around the blade clamp (B) counterclockwise to open the clamp.
- Remove the saw blade (H) from the blade clamp.



## OPERATING INSTRUCTIONS

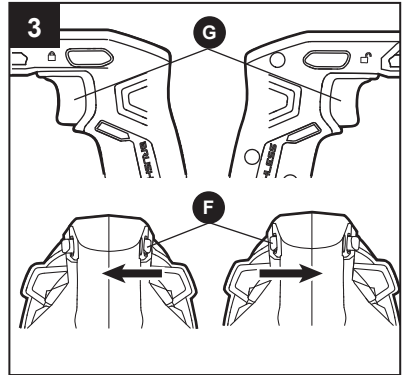
### **⚠ WARNING**

- The saw blade may be very hot after use. Allow the blade to cool down or wear gloves when removing a saw blade.
- Use only a standard reciprocating saw blade. Never try to use T- or U-shaped jig saw blade. Failure to heed this warning could cause loss of control and can result in possible serious injury.

### **3. Variable-Speed Trigger and Switch-Lock Button**

Your reciprocating saw is equipped with a variable-speed trigger switch (G) to turn the saw on and off and to control the speed. The switch-lock button (F) can lock the switch in in the off position.

- To turn the saw ON, press the trigger-lock button marked  to unlock the switch, and then squeeze the variable-speed trigger switch.
- To turn it OFF, release the trigger switch. Press the trigger-lock button marked  to lock the switch OFF and reduce the chance of unintentionally starting the tool/
- To vary the speed, simply increase or decrease the pressure on the variable-speed trigger switch. The more tightly the variable speed trigger switch is squeezed, the higher the speed will be.

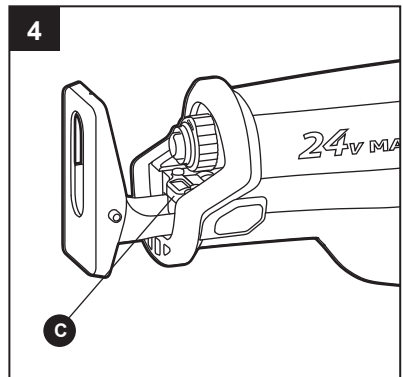


### **4. LED Work light**

The LED work light (C), located on the front of the saw, will illuminate when the trigger switch is depressed. This provides additional light on the surface of the workpiece for operation in lower-light conditions.

The LED work light will turn off approximately 10 seconds after the trigger switch is released.

- The LED work light will blink rapidly if the tool has stopped working because of an overload or overheating situation; please wait for the tool to cool down, at which point it can be started again.
- The LED work light will blink slowly to indicate that the battery charge is very low.



## OPERATING INSTRUCTIONS

### 5. Shoe Adjustment

For maximum control and longer blade life, the base shoe (A) slides in or out to adjust the effective stroke length.

- Remove the battery pack from the saw.
- Press the shoe-release lever (D) to release the shoe (A).
- Pull the shoe to the desired position.
- Release the shoe-release lever to its original position to lock the shoe.

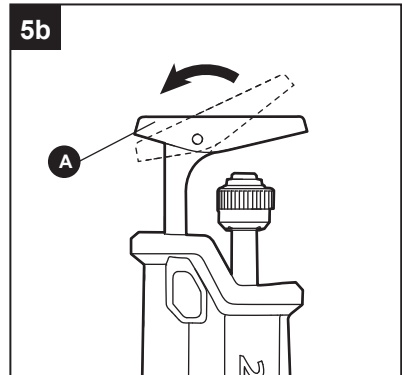
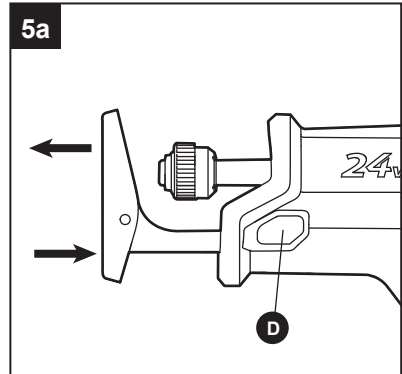
### Pivoting the Shoe

The base shoe (A) pivots to provide maximum contact with the surface being cut.

- Hold the saw securely, and then manually pivot the shoe to the desired angle.

### **⚠** WARNING

- To avoid injury and damage, do not operate the saw without the shoe in place. The spindle may strike against the workpiece and damage the reciprocating mechanism.

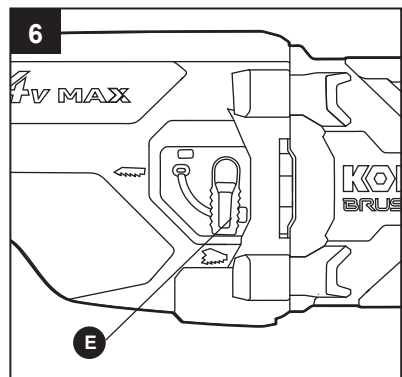


### 6. Orbital-Function Lever

This reciprocating saw has the option of orbital action to make the blade swing slightly as it cuts.

- Remove the battery pack from the saw.
- Turn the orbital-function lever (E) to the "👉" position for orbital cutting action.
- Turn the orbital-function lever to the "👈" position for straight cuts without orbital action.

Orbital action increases the speed of the cut but may result in a rougher finish to the cut in some materials. Experiment on a piece of scrap material in order to determine the optimum pendulum action setting.

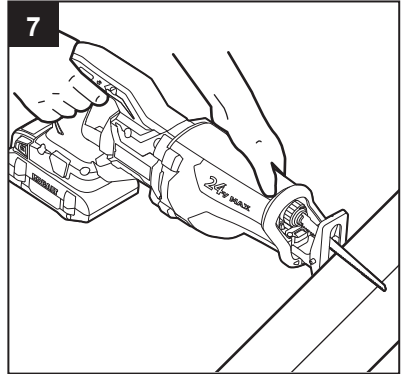


## OPERATING INSTRUCTIONS

### 7. General Cutting

#### **!** WARNING

- Before attaching the battery pack to the tool, always check to determine that the switch performs properly and returns to the "OFF" position when released.
  - Hold the tool only by the plastic handle and the insulated grip area to help prevent electrical shock. You may encounter electrical wiring when sawing into walls or floors. Sawing into a "live" wire will cause electric shock.
- a. Remove the battery pack from the saw.
  - b. Make sure that the workpiece is firmly clamped in place.
  - c. Use the appropriate type and size of blade for the workpiece material and size.
  - d. Check for clearance behind the workpiece so that the blade will not impact another surface.
  - e. Mark the line of cut clearly. If cutting metal, apply cutting oil to the line.
  - f. Attach the battery pack to the saw.
  - g. Hold the saw firmly with both hands and away from you. Make sure to keep your hands on the insulated gripping areas only.
  - h. Press the switch-lock button (F) to unlock the trigger switch (G) and squeeze the variable-speed trigger switch to start the saw and bring it to the maximum desired cutting speed before applying the blade to the workpiece.
  - i. Place the base shoe (A) firmly on the workpiece while cutting. Use only enough steady pressure on the blade to keep the saw cutting; do not force the tool.
  - j. Reduce pressure as the blade comes to the end of the cut.
  - k. Allow the saw to come to a complete stop before removing the blade from the workpiece.
  - l. When sawing fiberglass, plaster, wallboard, or spackling compound, clean the motor vents frequently with a vacuum or compressed air. These materials are highly abrasive and may accelerate the wear on motor bearings and brushes.



#### **!** WARNING

- Always wear safety goggles or safety glasses with side shields when using compressed air to clean the tool. If the operation is dusty, also wear a dust mask.

**NOTICE:** Cutting speeds should vary with the workpiece. Hard materials, such as metals, require lower speeds; for softer materials use higher speeds. Do not force the saw. Let the blade and saw do the work.

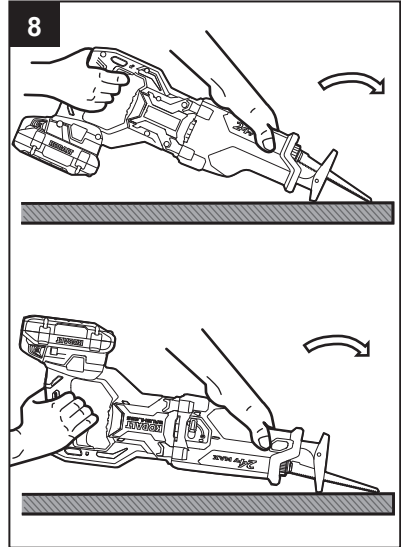
## OPERATING INSTRUCTIONS

### 8. Plunge Cutting

Your reciprocating saw is ideal for plunge cutting directly into surfaces that cannot be cut from an edge, such as in walls or floors.

#### WARNING

- Do not plunge cut into metal surfaces.
- a. Remove the battery pack from the saw.
- b. Make sure that the workpiece is firmly clamped in place.
- c. Use the appropriate type and size of blade for the workpiece material and size.
- d. Check for clearance behind the workpiece so that the blade will not impact another surface.
- e. Attach the battery pack to the saw.
- f. Hold the tool firmly, resting the edge of the base shoe (A) on the workpiece.
- g. With the blade just above the workpiece, press the switch-lock button (F) to unlock the trigger switch (G) and squeeze the variable-speed trigger switch to start the saw and bring it to the maximum desired cutting speed.
- h. Use the edge of the shoe as a pivot and raise the gripping handle of the tool slowly, as the blade starts cutting, plunging the blade into the workpiece until the shoe rests firmly on the workpiece.
- i. After the blade has penetrated through the workpiece and the shoe is fully resting on the workpiece, continue sawing along the marked cutting line.



#### WARNING

- To reduce the risk of explosion, electric shock and property damage, always check the work area for hidden gas pipes, electrical wires or water pipes when making blind or plunge cuts.
- To avoid loss of control and serious injury, make sure that the blade reaches maximum speed before touching it to the workpiece.

### 9. Metal Cutting

The saw can be used to cut metals, such as sheet steel, pipe, steel rods, aluminum, brass, and copper. Be careful not to twist or bend the saw blade. Do not force the tool.

The use of cutting oil is recommended when cutting soft metals and steel. Cutting oil will keep the blade cool, increase cutting action, and prolong blade life.

#### WARNING

- Never use gasoline, because normal sparking could ignite the fumes.
- a. Securely clamp the workpiece in position and make the cut close to the clamping point to minimize vibration.
- b. When cutting conduit pipe or angle iron, clamp the work in a vise, if possible, and cut close to the vise.
- c. To cut thin sheet material, “sandwich” the material between pieces of hardboard or plywood and clamp the layers together to reduce vibration and tearing of the material.

## CARE AND MAINTENANCE

---

 All maintenance should only be carried out by a qualified service technician.

### Cleaning

Before cleaning or performing any maintenance, remove battery from the tool. For safe and proper operation, always keep the tool and its ventilation slots clean.

Always use only a soft, dry cloth to clean your impact driver; never use detergent or alcohol.

## TROUBLESHOOTING

---

### WARNING

- Place the direction-of-rotation selector (C) in the center lock position, and remove battery from the tool before performing troubleshooting procedures.

| PROBLEM                               | POSSIBLE CAUSE                | CORRECTIVE ACTION  |
|---------------------------------------|-------------------------------|--|
| Tool does not work.                   | Low battery capacity.         | Charge the battery pack.   |
| Blade binds, jams, or burns the wood. | 1. Improper operation.        | 1. See "OPERATING INSTRUCTIONS" section.   |
|                                       | 2. Dull blade.                | 2. Replace or sharpen blade.   |
|                                       | 3. Improper blade.            | 3. Replace blade.  |
| The motor is overheating.             | Cooling vents are obstructed. | Clean and clear the vents. Do not cover the vents with your hand during operation. |

## WARRANTY

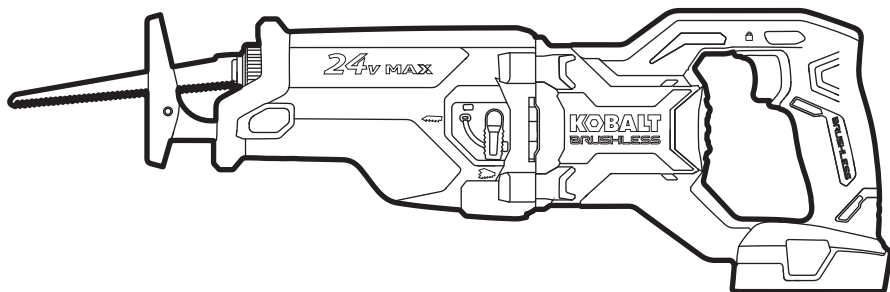
---

For 5 years from the date of purchase, the tool is warranted for the original purchaser to be free from defects in material and workmanship. This guarantee does not cover damage due to abuse, normal wear, improper maintenance, neglect, unauthorized repair/alteration, or expendable parts and accessories expected to become unusable after a reasonable period of use. This warranty is limited to 90 days for commercial and rental use.

If you think your product meets the above guarantee criteria, please return it to the place of purchase with valid proof of purchase and the defective product will be repaired or replaced at no charge. This guarantee gives you specific legal rights, and you may also have other rights that vary from state to state.

Printed in China

# KOBALT™



ARTÍCULO #1518743/1518747

## SIERRA ALTERNATIVA SIN ESCOBILLAS

MODELO #KXRS 124B-03

---

ADJUNTE SU RECIBO AQUÍ

Número de serie \_\_\_\_\_ Fecha de compra \_\_\_\_\_



**¿Preguntas, problemas, piezas faltantes?** Antes de volver a la tienda, llame a nuestro Departamento de Servicio al Cliente al 1-888-3KOBALT (1-888-356-2258), de lunes a viernes de 8 a.m. a 8 p.m., hora estándar del Este.

## ÍNDICE

---

|                                      |    |
|--------------------------------------|----|
| Especificaciones del producto.....   | 16 |
| Contenido del paquete.....           | 17 |
| Información de seguridad .....       | 18 |
| Preparación.....                     | 22 |
| Instrucciones de funcionamiento..... | 23 |
| Cuidado y mantenimiento .....        | 28 |
| Solución de problemas.....           | 28 |
| Garantía .....                       | 29 |

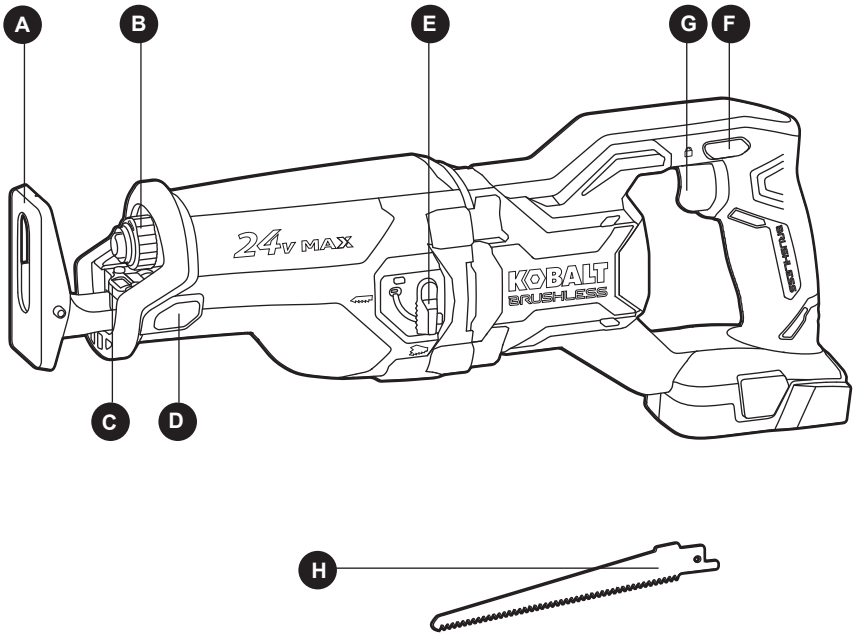
## ESPECIFICACIONES DEL PRODUCTO

---

| COMPONENTE                    | ESPECIFICACIONES   |
|-------------------------------|--|
| Rango de voltaje              | 24 V CC  |
| Velocidad sin carga           | De 0 a 3100 SPM  |
| Recorrido de hoja             | 1 1/4 pulg.  |
| Capacidad de corte            | Profundidad de la madera: 300 mm<br>Profundidad del acero: 20 mm |
| Temperatura de funcionamiento | -20 °C (-4 °F) a 45 °C (113 °F)                                  |
| Temperatura de carga          | 5 °C (41 °F) a 40 °C (104 °F)                                    |



## CONTENIDO DEL PAQUETE



| PIEZA | DESCRIPCIÓN                               |
|-------|---|
| A     | Listoncillo de base                       |
| B     | Abrazadera de la hoja                     |
| C     | Luz de trabajo LED                        |
| D     | Palanca de liberación de la base de apoyo |

| PIEZA | DESCRIPCIÓN                                    |
|-------|--|
| E     | Palanca de función orbital                     |
| F     | Botón de bloqueo del interruptor               |
| G     | Interruptor tipo gatillo de velocidad variable |
| H     | Hoja de sierra                                 |

### **⚠ ADVERTENCIA**

- Retire la herramienta del paquete y examínela con cuidado. No deseche la caja ni ningún material de embalaje hasta después de examinar todas las piezas.
- Si falta alguna pieza o si alguna pieza está dañada, no fije el paquete de baterías ni use la herramienta hasta reparar o reemplazar la pieza. No seguir esta advertencia podría provocar lesiones graves.

## INFORMACIÓN DE SEGURIDAD

---

Lea y comprenda completamente este manual antes de intentar ensamblar u operar este producto. Si tiene preguntas relacionadas con el producto, llame al Departamento de Servicio al Cliente al 1-888-3KOBALT, de lunes a viernes de 8 a.m. a 8 p.m., hora estándar del Este.

### ADVERTENCIA

- La operación de cualquier herramienta eléctrica puede provocar que objetos extraños se propulsen hacia sus ojos y provoquen graves daños oculares. Antes de utilizar una herramienta eléctrica, use siempre gafas protectoras o de seguridad con protecciones laterales o un protector facial cuando sea necesario. Recomendamos usar una máscara de seguridad de visión amplia sobre los lentes o gafas de seguridad con protecciones estándar. Siempre use lentes de protección que cumplan con la norma ANSI Z87.1.
- Las actividades como el lijado, el aserrado, la trituración, el taladrado y otras actividades de construcción producen polvo que contiene productos químicos que, según el estado de California, pueden causar cáncer, defectos congénitos u otras afecciones en el aparato reproductivo. Estos son algunos ejemplos de esos productos químicos:
  - Plomo de pinturas con base de plomo.
  - Sílice cristalina de ladrillos, cemento y otros productos de mampostería.
  - Arsénico y cromo de madera tratada con productos químicos.
- El riesgo que se corre debido a la exposición a estos productos químicos varía según la frecuencia con la que se realiza este tipo de trabajo. Para disminuir su exposición a estos productos químicos:
  - Trabaje en un área bien ventilada.
  - Trabaje con equipo de seguridad aprobado, como mascarillas antipolvo especialmente diseñadas para filtrar partículas microscópicas.
  - Evite el contacto prolongado con el polvo provocado por el lijado, el aserrado, la trituración, el taladrado y otras actividades de construcción. Use ropa protectora y lave todas las áreas expuestas del cuerpo con agua y jabón. El ingreso de polvo a la boca o a los ojos, o su contacto con la piel, puede fomentar la absorción de productos químicos dañinos.

### **Conozca la herramienta**

Para operar esta herramienta, lea cuidadosamente este manual y las etiquetas fijadas a la herramienta antes de usarla. Guarde este manual para referencia futura.




### **Importante**

Solo un técnico calificado puede reparar esta herramienta.

## INFORMACIÓN DE SEGURIDAD

### Lea por completo todas las instrucciones

Algunos de los siguientes símbolos pueden aparecer en esta herramienta. Obsérvelos y aprenda su significado. La interpretación correcta de estos símbolos le permitirá utilizar la herramienta de manera más eficaz y segura.

| SÍMBOLO   | DEFINICIÓN  | SÍMBOLO   | DEFINICIÓN   |
|---|---|---|--|
| V   | Voltios   | $n_0$   | Velocidad sin carga  |
|  or d.c. | Corriente continua  | SPM   | Recorridos por minuto  |
|          | ADVERTENCIA: para reducir el riesgo de lesiones, el usuario debe leer el manual de instrucciones. |  | Peligro, advertencia o precaución. Significa: "¡Atención! Su seguridad está comprometida". |
| °F  | Grados Fahrenheit   | °C  | Grados centígrados   |

### Advertencias generales de seguridad en el manejo de herramientas eléctricas

#### ADVERTENCIA

- **Lea todas las advertencias de seguridad, las instrucciones, las ilustraciones y las especificaciones que se incluyen con esta herramienta eléctrica.** No cumplir con todas las instrucciones que se detallan a continuación podría provocar descargas eléctricas, incendios o lesiones graves.

#### Guarde todas las advertencias e instrucciones para referencia futura

El término "herramienta eléctrica" que aparece en las advertencias hace referencia a la herramienta eléctrica que se conecta a la línea principal (con cable) o a la herramienta eléctrica que funciona a batería (inalámbrica).

#### Seguridad en el área de trabajo

- **Mantenga el área de trabajo limpia y bien iluminada.** Las áreas oscuras o desordenadas propician los accidentes.
- **No utilice herramientas eléctricas en atmósferas en las que exista riesgo de explosión, como por ejemplo, en presencia de líquidos inflamables, gases o polvo.** Las herramientas eléctricas producen chispas que podrían encender el polvo o el humo.
- **Mantenga a los niños y a otras personas alejadas durante la operación de una herramienta eléctrica.** Las distracciones pueden provocar que pierda el control.

#### Seguridad eléctrica

- **Los enchufes de las herramientas eléctricas deben coincidir con el tomacorriente. No modifique el enchufe de ninguna manera. No utilice ningún enchufe adaptador con herramientas eléctricas con puesta a tierra.** Los enchufes sin modificaciones y que encajan en los tomacorrientes reducen el riesgo de descarga eléctrica.
- **Evite el contacto del cuerpo con superficies conectadas a tierra, como tuberías, radiadores, extractores o refrigeradores.** También puede sufrir una descarga eléctrica si su cuerpo tiene conexión a tierra.



## INFORMACIÓN DE SEGURIDAD

---

- **No exponga las herramientas eléctricas a la lluvia o a condiciones de humedad.** Si ingresa agua en una herramienta eléctrica, el riesgo de descarga eléctrica aumentará.
- **No maltrate el cable. Nunca use el cable para transportar, jalar ni desenchufar la herramienta eléctrica. Mantenga el cable alejado del calor, el aceite, los bordes filosos o las piezas en movimiento.** Los cables dañados o enredados aumentan el riesgo de descarga eléctrica.
- **Si utiliza una herramienta eléctrica en exteriores, use una extensión eléctrica que sea adecuada para uso en exteriores.** Usar un cable apto para exteriores reduce el riesgo de sufrir una descarga eléctrica.
- **Si es inevitable utilizar una herramienta eléctrica en un lugar húmedo, use un suministro protegido con un interruptor diferencial residual (RCD, por sus siglas en inglés).** El uso de un RCD disminuye el riesgo de descargas eléctricas.

### Seguridad personal

- **Manténgase alerta, preste atención a lo que hace y use el sentido común cuando manipule una herramienta eléctrica. No utilice una herramienta eléctrica si está cansado o bajo los efectos de drogas, alcohol o medicamentos.** Un momento de desatención mientras opera herramientas eléctricas puede provocar lesiones personales graves.
- **Use elementos de protección personal. Use siempre lentes de protección.** Los equipos de protección, como mascarillas antipolvo, zapatos de seguridad antideslizantes, cascos protectores o auriculares de seguridad, utilizados para las condiciones adecuadas, disminuyen el riesgo de lesiones personales.
- **Evite un arranque accidental. Asegúrese de que el interruptor esté en la posición de apagado antes de conectar la herramienta a la fuente de alimentación o al paquete de baterías, o antes de levantarla o transportarla.** Transportar herramientas eléctricas con el dedo en el interruptor o enchufar herramientas eléctricas que tienen el interruptor encendido aumenta las posibilidades de accidentes.
- **Retire todas las llaves de ajuste o llaves inglesas antes de encender la herramienta eléctrica.** Si se deja una llave inglesa o una llave conectada a una pieza giratoria de la herramienta eléctrica, se podrían producir lesiones personales.
- **No se extienda demasiado. Mantenga una postura y un equilibrio adecuados en todo momento.** Esto permite un mejor control de la herramienta eléctrica en situaciones inesperadas.
- **Use ropa adecuada. No use ropa holgada ni joyas. Mantenga el cabello y la ropa alejados de las piezas en movimiento.** La ropa holgada, las joyas o el cabello largo pueden quedar atrapados en las piezas en movimiento.
- **Si se proporcionan dispositivos para la conexión de equipos de extracción y recolección de polvo, asegúrese de que se conecten y se usen debidamente.** La recolección de polvo puede disminuir los peligros relacionados con el polvo.
- **No permita que la familiaridad del uso frecuente de herramientas lo haga ignorar los principios de seguridad en el manejo de herramientas.** Un descuido puede ocasionar una lesión grave en cuestión de segundos.

### Uso y cuidado de herramientas eléctricas

- **No fuerce la herramienta eléctrica. Use la herramienta eléctrica adecuada para la tarea.** La herramienta eléctrica adecuada realizará un trabajo más seguro y de mejor calidad al ritmo para el que se diseñó.
- **No utilice la herramienta eléctrica si no la puede encender o apagar con el interruptor.** Cualquier herramienta eléctrica que no pueda controlarse con el interruptor es peligrosa y debe repararse.



## INFORMACIÓN DE SEGURIDAD

---

- **Desconecte el enchufe de la fuente de alimentación o retire el paquete de baterías de la herramienta eléctrica (si es posible) antes de realizar cualquier ajuste, cambiar accesorios o almacenar herramientas eléctricas.** Este tipo de medidas de seguridad preventivas reducen el riesgo de arrancar la herramienta eléctrica de manera accidental.
- **Almacene las herramientas eléctricas que no estén en uso fuera del alcance de los niños y no permita que las personas que no conozcan cómo usar la herramienta o estas instrucciones la utilicen.** Las herramientas eléctricas son peligrosas en manos de usuarios sin capacitación.
- **Realice mantenimiento a las herramientas eléctricas y a los accesorios. Revise si hay piezas móviles desalineadas o trabadas, si hay piezas rotas y cualquier otra condición que pueda afectar el funcionamiento de la herramienta eléctrica. Si se daña la herramienta eléctrica, hágala reparar antes de usarla.** Muchos accidentes son producto del mantenimiento incorrecto de las herramientas eléctricas.
- **Mantenga las herramientas de corte afiladas y limpias.** Las herramientas de corte que se mantienen adecuadamente, con sus bordes de corte afilados, son menos propensas a trabarse y son más fáciles de controlar.
- **Use la herramienta eléctrica, los accesorios, las brocas, etc. de acuerdo con estas instrucciones, considerando las condiciones de trabajo y el trabajo que desea realizar.** Si la herramienta eléctrica se utiliza en operaciones para las que no se diseñó, se podrían ocasionar situaciones de peligro.
- **Mantenga los mangos y las superficies de agarre secas, limpias y libres de aceite y grasa.** Los mangos y las superficies de agarre resbaladizos no permiten manipular ni controlar la herramienta de forma segura en situaciones inesperadas.

### Uso y cuidado de herramientas con batería

- **Recargue la herramienta únicamente con el cargador especificado por el fabricante.** Un cargador adecuado para un tipo de paquete de baterías puede causar un riesgo de incendio si se usa con otro paquete de baterías.
- **Use herramientas eléctricas solo con paquetes de baterías designados específicamente.** El uso de cualquier otro paquete de baterías puede crear un riesgo de lesión e incendio.
- **Cuando el paquete de baterías no esté en uso, aléjelo de objetos metálicos, como sujetapapeles, monedas, llaves, clavos, tornillos u otros objetos metálicos pequeños que pudieran crear una conexión entre los terminales.** Es posible que un cortocircuito entre los terminales produzca quemaduras o un incendio.
- **En condiciones de maltrato, es posible que salga líquido de la batería; evite el contacto. Si se produce un contacto accidental, enjuague con agua. Si el líquido entra en contacto con los ojos, solicite atención médica.** El líquido que sale de la batería puede provocar irritación o quemaduras.
- **No utilice un paquete de baterías ni una herramienta que estén dañados o modificados.** Las baterías dañadas o modificadas pueden mostrar una conducta impredecible que podría provocar incendios, explosiones o riesgo de lesiones.
- **No exponga el paquete de baterías ni la herramienta al fuego o a temperaturas excesivas.** La exposición al fuego o a las temperaturas por encima de los 130 °C puede causar una explosión.
- **Siga todas las instrucciones de carga y no cargue el paquete de baterías ni las herramientas fuera del rango de temperatura especificado en las instrucciones.** Realizar una carga inadecuada o a temperaturas fuera del rango especificado podría dañar la batería y aumentar el riesgo de incendio.

### Reparación

- **Haga reparar su herramienta eléctrica solo por una persona de reparación calificada que utilice solo piezas de repuesto idénticas.** De esta forma, se asegurará de que se mantenga la seguridad de la herramienta eléctrica.
- **Nunca realice el mantenimiento de los paquetes de baterías si están dañados.** Solo el fabricante o los proveedores de servicio autorizados deben realizar el mantenimiento de los paquetes de baterías.
- Advertencias específicas de seguridad para la sierra alternativa
- **Sostenga la herramienta eléctrica por las superficies de agarre aisladas al realizar una operación en la que el accesorio de corte pueda entrar en contacto con cableado oculto.** Es posible que un accesorio de corte que entre en contacto con un cable "energizado" también "energice" las piezas de metal expuestas de la herramienta eléctrica y provoque una descarga eléctrica al operador.
- **Utilice abrazaderas u otro método práctico para asegurar y sostener la pieza de trabajo en una plataforma estable.** *Sostener la pieza de trabajo con una sola mano o apoyada en el cuerpo es inestable y puede causar pérdida de control.*
- Mantenga sus manos alejadas del área de corte. No toque el área debajo del material que está cortando. La proximidad de la hoja con su mano estará oculta a la vista.
- Siempre desconecte el enchufe de la fuente de alimentación antes de cambiar la hoja de la sierra.
- Asegúrese de que todas las palancas de ajuste y el soporte de la hoja estén firmes antes de realizar un corte. Si las palancas de ajuste y los soportes están sueltos, esto podría provocar que la herramienta o la hoja se deslicen, provocando una pérdida de control.
- Verifique que el interruptor esté en la posición OFF (apagado) antes de conectar el enchufe a la fuente de alimentación. Los arranques accidentales pueden provocar lesiones.
- Nunca toque la hoja de la sierra inmediatamente después de usarla. Puede estar caliente luego de un uso prolongado.
- Use siempre gafas de seguridad o lentes de protección cuando utilice esta herramienta. Use una mascarilla antipolvo o un respirador, o conecte la herramienta a una aspiradora de polvo externa si al cortar se genera una gran cantidad de polvo.

### PREPARACIÓN

---

#### Conozca su sierra alternativa


Esta sierra alternativa se puede usar para el propósito indicado a continuación: para cortar productos de madera y materiales de plástico y metal. Antes de intentar utilizar la sierra alternativa, familiarícese con todas las funciones de operación y los requisitos de seguridad.

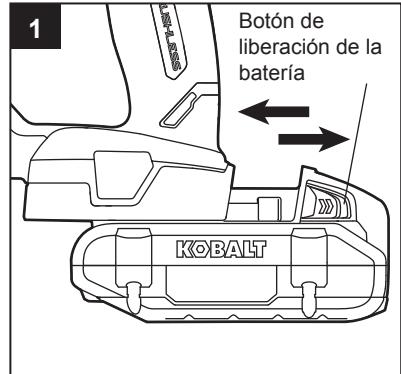
#### ADVERTENCIA

- Sea cuidadoso, incluso si está familiarizado con la herramienta. Recuerde que un momento de descuido es suficiente para causar lesiones graves. Antes de intentar utilizar cualquier herramienta, asegúrese de familiarizarse con todas las características de funcionamiento e instrucciones de seguridad.
- No intente modificar esta herramienta ni crear accesorios que no sean los recomendados para esta herramienta. Cualquier alteración o modificación es considerada un mal uso y podría causar una condición peligrosa, lo que podría producir lesiones personales graves.

## INSTRUCCIONES DE FUNCIONAMIENTO


### 1. Para fijar el paquete de baterías

- Presione el botón de bloqueo del interruptor (F) en la posición de bloqueo .
- Alinee la parte elevada del paquete de baterías con las ranuras de la parte inferior de la herramienta y luego deslice el paquete de baterías en la herramienta, como se muestra.
- Asegúrese de que los pestillos del paquete de la batería encajen en su lugar y que dicho paquete se fije a la herramienta antes de comenzar la operación.




**AVISO:** Al colocar el paquete de baterías en la herramienta, asegúrese de que la varilla elevada del paquete de baterías quede alineada con la ranura de la herramienta y que los pestillos encajen adecuadamente en su lugar. El ensamblaje inadecuado del paquete de baterías puede provocar daños a los componentes internos.

### Para retirar el paquete de baterías

- Presione el botón de bloqueo del interruptor (F) en la posición de bloqueo .
- Presione los botones de liberación de la batería para liberar el paquete de baterías.
- Jale el paquete de baterías hacia delante para retirar la batería de la herramienta.

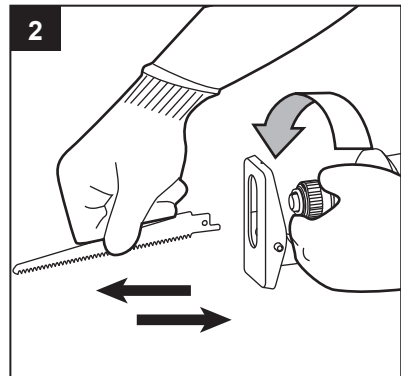
### ADVERTENCIA

- Las herramientas con batería siempre están en condiciones de operación. Por lo tanto, presione siempre el botón de bloqueo del interruptor marcado  para bloquear el interruptor o retirar el paquete de baterías cuando la sierra no se encuentre en uso o al transportar la sierra a su costado.

### 2. Selección de la hoja

Para obtener el mejor rendimiento de la sierra, es importante seleccionar la hoja correcta para la aplicación y el tipo de material que desea cortar.

Las hojas con menos dientes, por ejemplo, 10 dientes por pulgada (TPI, por sus siglas en inglés), normalmente se usan para cortar madera; las hojas con más dientes son mejores para cortar metal o plástico. Recomendamos usar hojas de 14 TPI para plásticos y metales suaves, y hojas de 18 TPI para metales duros.



### Instalación de una hoja de sierra

- Retire el paquete de baterías de la sierra.
- Gire el manguito alrededor de la abrazadera de la hoja (B) en dirección contraria a las manecillas del reloj para abrir la abrazadera.
- Inserte la hoja de sierra (H) en la abrazadera de la hoja hasta donde se pueda y libere el manguito para fijar la hoja en su lugar.
- Asegúrese de que la hoja quede firmemente fijada.

## INSTRUCCIONES DE FUNCIONAMIENTO

### Retiro de la hoja de sierra



- Gire el manguito alrededor de la abrazadera de la hoja (B) en dirección contraria a las manecillas del reloj para abrir la abrazadera.
- Retire la hoja de sierra (H) de la abrazadera de la hoja.

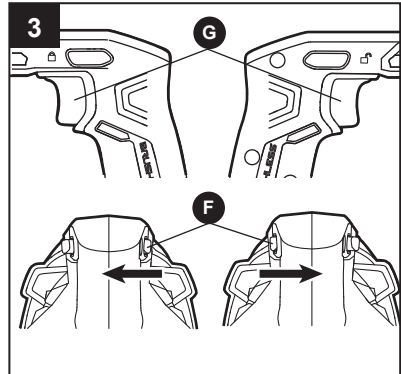
### **!** ADVERTENCIA

- La hoja de sierra puede estar muy caliente después de usarla. Permita que la hoja se enfríe o use guantes al retirar la hoja de sierra.
- Use solo una hoja de sierra alternativa estándar. Nunca intente usar una hoja de sierra de vaivén en forma de T o de U. No seguir esta advertencia podría provocar la pérdida de control y producir lesiones graves.

### 3. Gatillo de velocidad variable y botón de bloqueo del interruptor

Su sierra alternativa está equipada con un interruptor tipo gatillo de velocidad variable (G) para encender y apagar la sierra y controlar la velocidad. El botón de bloqueo del interruptor (F) puede bloquear el interruptor en la posición de apagado.

- Para encender la sierra, presione el botón de bloqueo del gatillo marcado  para desbloquear el interruptor y luego, apriete el interruptor tipo gatillo de velocidad variable.
- Para apagarla, suelte el interruptor tipo gatillo. Presione el botón de bloqueo del gatillo marcado  para bloquear el interruptor y reducir la posibilidad de un arranque accidental de la herramienta.
- Para variar la velocidad, simplemente aumente o disminuya la presión en el interruptor tipo gatillo de velocidad variable. Mientras más apriete el interruptor tipo gatillo de velocidad variable, mayor será la velocidad.

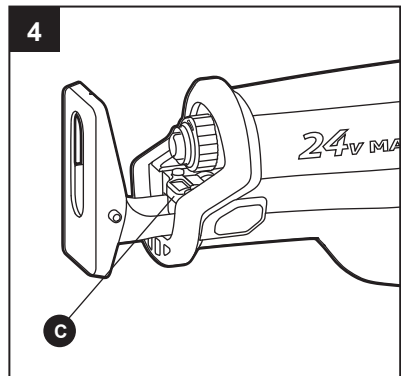


### 4. Luz de trabajo LED

La luz de trabajo LED (C), ubicada en la parte frontal de la sierra, se iluminará cuando presione el interruptor tipo gatillo. Esto brinda más iluminación en la superficie de la pieza de trabajo para usar la herramienta en condiciones de poca iluminación.

La luz de trabajo LED se apagará aproximadamente 10 segundos después de que suelte el interruptor tipo gatillo.

- La luz de trabajo LED titilará rápidamente cuando la herramienta deje de funcionar debido a una situación de sobrecarga o sobrecalentamiento. Espere hasta que la herramienta se enfríe para volver a encenderla.
- La luz de trabajo LED titilará de forma pausada para indicar que la batería está muy baja.



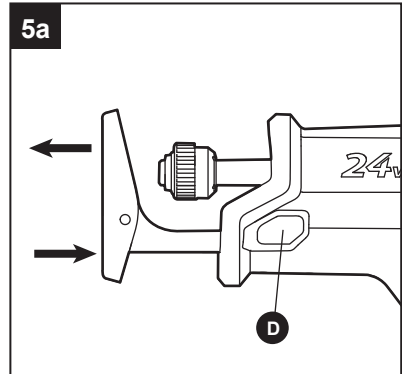


## INSTRUCCIONES DE FUNCIONAMIENTO

### 5. Ajuste de la base de apoyo

Para un máximo control y una mayor vida útil de la hoja, la base de apoyo (A) se desliza hacia adentro o hacia afuera para ajustar el largo de recorrido real.

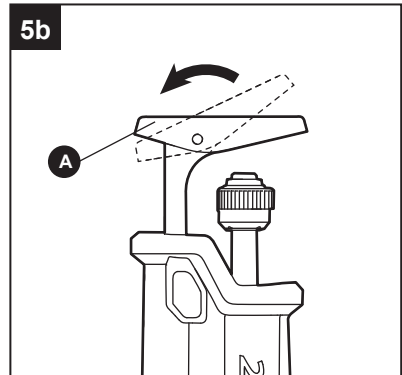
- Retire el paquete de baterías de la sierra.
- Presione la palanca de liberación de la base de apoyo (D) para liberar la base de apoyo (A).
- Jale la base de apoyo a la posición deseada.
- Libere la palanca de liberación de la base de apoyo hasta su posición original para bloquear la base de apoyo.



### Giro de la base de apoyo

La base de apoyo (A) gira para proporcionar el máximo contacto con la superficie que se desea cortar.

- Sostenga la sierra firmemente y luego, gire la base de apoyo de manera manual al ángulo deseado.



### ⚠ ADVERTENCIA

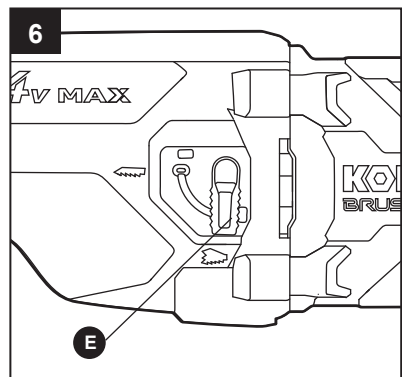
- Para evitar sufrir lesiones y daños, no utilice la sierra sin la base de apoyo en su lugar. El barrote torneado podría golpearse contra la pieza de trabajo y dañar el mecanismo de vaivén.

### 6. Palanca de función orbital

Esta sierra alternativa tiene la opción de acción orbital para hacer que la hoja oscile levemente mientras corta.

- Retire el paquete de baterías de la sierra.
- Gire la palanca de función orbital (E) a la posición de "🌀" para la acción de corte orbital.
- Gire la palanca de función orbital a la posición de "↔" para cortes rectos sin acción orbital.

La acción orbital aumenta la velocidad del corte, pero podría generar acabados más ásperos al cortar algunos materiales. Practique con un trozo de material que no use para determinar la configuración óptima de la acción pendular.

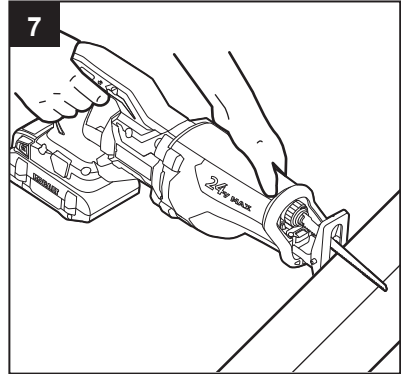


## INSTRUCCIONES DE FUNCIONAMIENTO

### 7. Cortes en general

#### **!** ADVERTENCIA

- Antes de instalar el paquete de baterías en la herramienta, siempre revise si el interruptor funciona bien y si se regresa a la posición "OFF" (Apagado) al soltarlo.
- Sostenga la herramienta solo de la manija de plástico y del área de agarre con aislamiento para evitar sufrir una descarga eléctrica. Al cortar paredes o pisos, es posible que se encuentre con cables eléctricos. Cortar cables "energizados" provocará descargas eléctricas.



- a. Retire el paquete de baterías de la sierra.
- b. Asegúrese de que la pieza de trabajo esté bien sujeta en su lugar.
- c. Use el tipo y el tamaño de hoja que sean adecuados para el material y el tamaño de la pieza de trabajo.
- d. Verifique el espacio detrás de la pieza de trabajo de modo que la hoja no impacte con otra superficie.
- e. Marque claramente la línea de corte. Si corta metal, aplique aceite de corte en la línea.
- f. Fije el paquete de baterías a la sierra.
- g. Sostenga la sierra firmemente con ambas manos y alejada de su cuerpo. Asegúrese de mantener las manos solo en las áreas de agarre aisladas.
- h. Presione el botón de bloqueo del interruptor (F) para desbloquear el interruptor tipo gatillo (G) y apriete el interruptor tipo gatillo de velocidad variable para arrancar la sierra y llevarla a la máxima velocidad de corte deseada antes de aplicar la hoja a la pieza de trabajo.
- i. Coloque la base de apoyo (A) firmemente en la pieza de trabajo mientras corta. Utilice solo la suficiente presión constante en la hoja para mantener la sierra cortando; no fuerce la herramienta.
- j. Disminuya la presión a medida que la hoja se acerca al final del corte.
- k. Permita que la sierra se detenga por completo antes de retirar la hoja de la pieza de trabajo.
- l. Cuando corte fibra de vidrio, yeso, tabla de fibra prensada o compuesto de relleno, limpie los conductos de ventilación del motor frecuentemente con una aspiradora o con aire comprimido. Estos materiales son altamente abrasivos y pueden acelerar el desgaste de los cojinetes y los cepillos del motor.

#### **!** ADVERTENCIA

- Use siempre gafas o lentes de seguridad con protectores laterales cuando use aire comprimido para limpiar la herramienta. Si hay demasiado polvo durante la operación, use también una mascarilla antipolvo.

**AVISO:** Las velocidades de corte deberían variar de acuerdo con la pieza de trabajo. Los materiales duros, como metales, requieren velocidades más bajas; para materiales más suaves, use mayores velocidades. No fuerce la sierra. Deje que la hoja y la sierra hagan el trabajo.

## INSTRUCCIONES DE FUNCIONAMIENTO

### 8. Cortes con perforación

La sierra alternativa es ideal para realizar cortes a profundidad directamente en superficies que no se pueden cortar desde un borde, como en las paredes o los pisos.

#### **!** ADVERTENCIA

- No realice cortes con perforación en superficies de metal.
- a. Retire el paquete de baterías de la sierra.
- b. Asegúrese de que la pieza de trabajo esté bien sujeta en su lugar.
- c. Use el tipo y el tamaño adecuado de hoja para el material y el tamaño de la pieza de trabajo.
- d. Verifique el espacio detrás de la pieza de trabajo de modo que la hoja no impacte otra superficie.
- e. Fije el paquete de baterías a la sierra.
- f. Sostenga la herramienta firmemente; para ello, apoye el borde de la base de apoyo (A) en la pieza de trabajo.
- g. Con la hoja justo sobre la pieza de trabajo, presione el botón de bloqueo del interruptor (F) para desbloquear el interruptor tipo gatillo (G) y apriete el interruptor tipo gatillo de velocidad variable para arrancar la sierra y llevarla a la máxima velocidad de corte deseada.
- h. Use el borde de la base de apoyo como pivote y eleve el mango de agarre de la herramienta suavemente, cuando la hoja comience a cortar, insertando la hoja en la pieza de trabajo hasta que dicha base se apoye firmemente en la pieza de trabajo.
- i. Después de que la hoja haya penetrado en la pieza de trabajo y la base de apoyo se encuentre firme sobre dicha pieza, continúe cortando a lo largo de la línea de corte marcada.

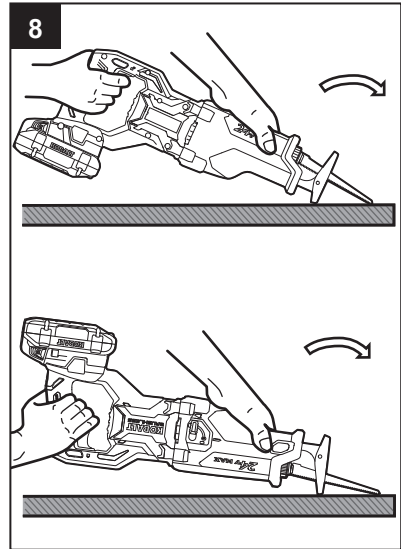
#### **!** ADVERTENCIA

- Para disminuir el riesgo de explosiones, descargas eléctricas y daños a la propiedad, siempre revise el área de trabajo en busca de tuberías de gas escondidas, cables eléctricos o tuberías de agua al realizar cortes ciegos o con perforación.
- Para evitar la pérdida de control y lesiones graves, asegúrese de que la hoja alcance la velocidad máxima antes de tocar la pieza de trabajo.

### 9. Corte de metal

La sierra se puede utilizar para cortar metales, como acero laminado, tuberías, varillas de acero, aluminio, latón y cobre. Tenga cuidado de no torcer ni doblar la hoja de la sierra. No fuerce la herramienta.

Se recomienda utilizar aceite de corte al cortar metales suaves y acero. El aceite de corte mantendrá la hoja fría, aumentará la acción de corte y prolongará la vida útil de la hoja.



## INSTRUCCIONES DE FUNCIONAMIENTO

---

### ADVERTENCIA

- Nunca utilice gasolina, ya que las chispas normales podrían encender los gases.
- a. Asegure la posición de la abrazadera en la pieza de trabajo y realice el corte cerca del punto de sujeción para minimizar la vibración.
- b. Al cortar tuberías de conductos o perfiles en ángulo, fije la pieza de trabajo en una prensa de tornillo, si es posible, y corte cerca de la prensa de tornillo.
- c. Para cortar materiales en láminas delgadas, “aprisione” el material entre trozos de madera prensada o madera contrachapada y fije las capas juntas para disminuir la vibración y las rasgaduras del material.

## CUIDADO Y MANTENIMIENTO

---

 El mantenimiento debe estar a cargo únicamente de un técnico de servicio calificado.

### Limpieza

Antes de limpiar o realizar cualquier mantenimiento, retire la batería de la herramienta. Para un uso seguro y adecuado, siempre mantenga limpias la herramienta y sus ranuras de ventilación.

Siempre use solamente un paño suave y seco para limpiar el destornillador eléctrico; nunca use detergente ni alcohol.

## SOLUCIÓN DE PROBLEMAS

---

### ADVERTENCIA

- Coloque el selector de dirección de rotación (C) en la posición de bloqueo central y retire la batería de la herramienta antes de realizar procedimientos de solución de problemas.

| PROBLEMA                             | CAUSA POSIBLE                                   | ACCIÓN CORRECTIVA   |
|--------------------------------------|---|---|
| La herramienta no funciona.          | La capacidad de la batería es baja.             | Cargue el paquete de baterías.  |
| La hoja se atasca o quema la madera. | 1. Funcionamiento inadecuado.                   | 1. Consulte la sección “INSTRUCCIONES DE FUNCIONAMIENTO”.   |
|                                      | 2. Hoja roma.                                   | 2. Reemplace o afile la hoja.   |
|                                      | 3. Hoja inadecuada.                             | 3. Reemplace la hoja.   |
| El motor está demasiado caliente.    | Los conductos de enfriamiento están obstruidos. | Limpie los conductos de ventilación. No cubra los conductos de ventilación con la mano durante el funcionamiento. |

## **GARANTÍA**

---

La herramienta cuenta con una garantía contra defectos de fabricación en los materiales y la mano de obra durante 5 años a partir de la fecha de compra para el comprador original. Esta garantía no cubre daños por maltrato, desgaste normal, mantenimiento inadecuado, negligencia, reparación o alteración no autorizada, ni piezas o accesorios desechables cuya inutilidad es esperable después de un período de uso razonable. La vigencia de esta garantía se limita a 90 días para el uso comercial y de alquiler.

Si considera que su producto cumple con los términos de garantía mencionados arriba, devuélvalo al lugar donde lo compró con un comprobante de compra válido y el producto defectuoso se reparará o reemplazará sin cargo. Esta garantía le otorga derechos legales específicos, pero también podría tener otros derechos que varían según el estado.





