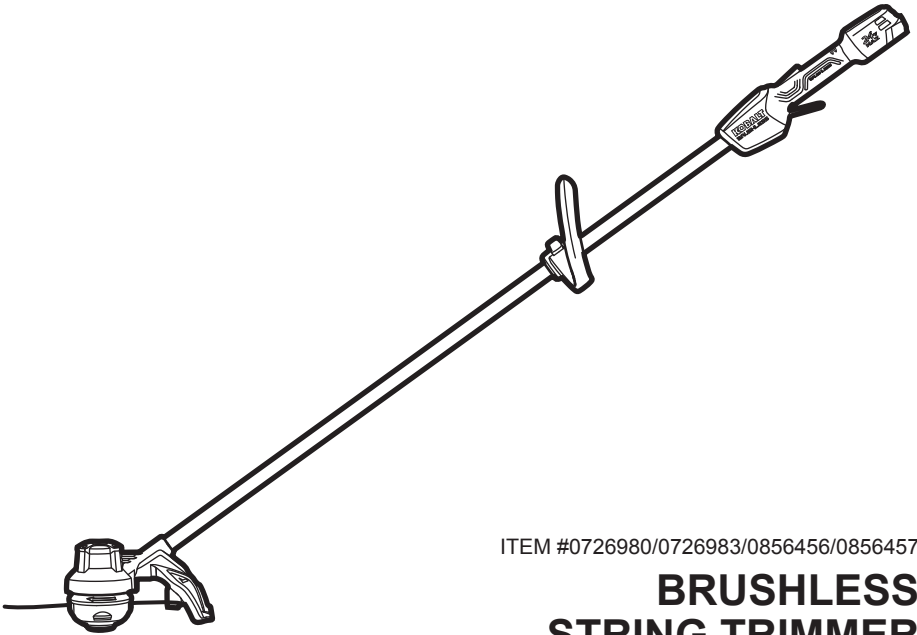


KOBALT™



ITEM #0726980/0726983/0856456/0856457

BRUSHLESS STRING TRIMMER

MODEL #KST 1224B-03

Español p. 19

ATTACH YOUR RECEIPT HERE

Serial Number _____ Purchase Date _____



Questions, problems, missing parts? Before returning to your retailer, call our customer service department at 1-888-3KOBALT (1-888-356-2258), 8 a.m. - 8 p.m., EST, Monday - Friday.

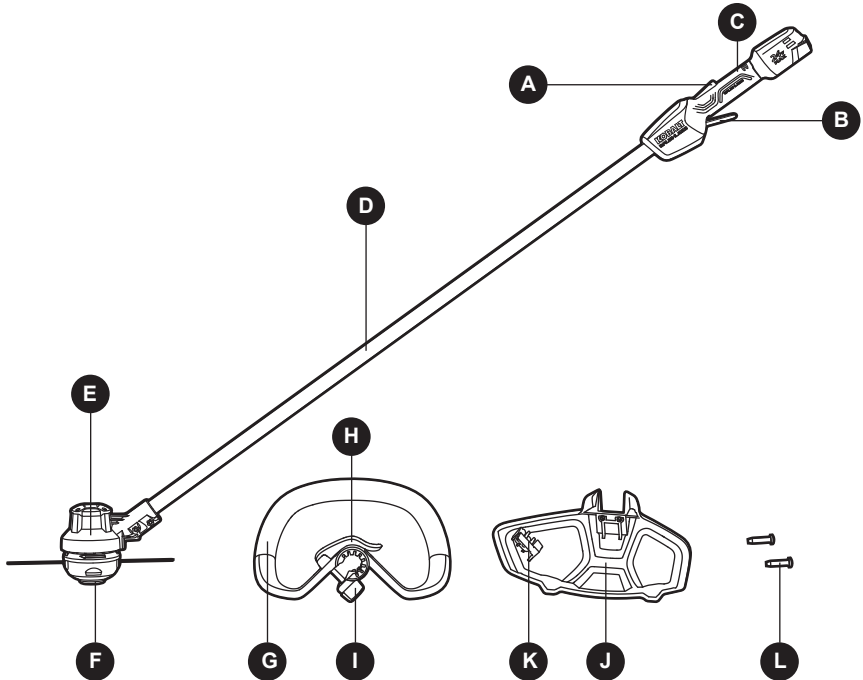
TABLE OF CONTENTS

Product Specifications.....	2
Package Contents.....	3
Safety Information.....	4
Preparation.....	7
Assembly Instructions.....	8
Operating Instructions.....	11
Care and Maintenance.....	16
Troubleshooting.....	16
Warranty.....	17

PRODUCT SPECIFICATIONS

COMPONENT	SPECIFICATION
Rated voltage	24 V d.c.
No-load speed	5,800-7,100 RPM
Cutting-Line Type	0.08 in. twisted nylon line
Cutting Width	12 in.

PACKAGE CONTENTS



PART	DESCRIPTION
A	Lock-off button
B	Variable-speed trigger switch
C	Rear handle
D	Trimmer shaft
E	Trimmer head
F	Bump knob

PART	DESCRIPTION
G	Front-assist handle
H	Adjusting lever
I	Screw knob
J	Guard
K	Line-cutting blade
L	Screws (2)

⚠ WARNING

- Remove the tool from the package and examine it carefully. Inspect the tool carefully to make sure that no breakage or damage occurred during shipping. If any parts are damaged or missing, please return the product to the place of purchase. Do not discard the carton or any packaging material until all parts have been examined.
- If any part of the tool is missing or damaged, do not connect the battery to the tool or use the tool until the part has been repaired or replaced. Failure to heed this warning could result in serious injury.

SAFETY INFORMATION

Please read and understand this entire manual before attempting to assemble or operate this product. If you have any questions regarding the product, please call customer service at 1-888-3KOBALT, 8 a.m. - 8 p.m., EST, Monday - Friday.

WARNING

- The operation of any power tool can result in foreign objects being thrown into your eyes, which can result in severe eye damage. Before beginning power-tool operation, always wear safety goggles or safety glasses with side shields and a full-face shield, when needed. We recommend using a wide vision safety mask over eyeglasses or standard safety glasses with shields. Always use eye protection marked to comply with ANSI Z87.1.
- Some dust created by power sanding, sawing, grinding, drilling, and other construction activities contains chemicals known to the state of California to cause cancer, birth defects, or other reproductive harm. Some examples of these chemicals are:
 - Lead from lead-based paints
 - Crystalline silica from bricks, cement, and other masonry products
 - Arsenic and chromium from chemically-treated lumber
- Your risk from these exposures varies, depending upon how often you do this type of work. To reduce your exposure to these chemicals:
 - Work in a well-ventilated area.
 - Work with approved safety equipment, such as dust masks that are specially designed to filter out microscopic particles.
 - Avoid prolonged contact with dust from power sanding, sawing, grinding, drilling, and other construction activities. Wear protective clothing and wash exposed areas with soap and water. Allowing dust to get into your mouth or eyes or to lie on the skin may promote absorption of harmful chemicals.

DANGER

- People with electronic devices, such as pacemakers, should consult their physician(s) before using this product. Operation of electrical equipment in close proximity to a heart pacemaker could cause interference or failure of the pacemaker.

Know the Tool

To operate this tool, carefully read this manual and all labels affixed to the tool before using it. Keep this manual available for future reference.




Important

This tool should be serviced only by a qualified service technician.

Read All Instructions Thoroughly

SAFETY INFORMATION

Some of the following symbols may be used on this tool. Please study them and their meaning. Proper interpretation of these symbols will allow you to operate the tool better and more safely.

SYMBOL	DEFINITION	SYMBOL	DEFINITION
V	Volts	n_0	No-load Speed
A	Amps	RPM	Revolutions per Minute
Hz	Hertz		Direct Current
	WARNING- To reduce the risk of injury, user must read instruction manual.		A danger, warning or caution. It means 'Attention! Your safety is involved.'

IMPORTANT SAFETY INSTRUCTIONS

WARNING

- When using electric trimmers, basic safety precautions should always be followed to reduce the risk of fire, electric shock, and personal injury, including the following:

READ ALL INSTRUCTIONS

DANGER

- Do not rely on the tool's insulation against electric shock. To reduce the risk of electrocution, never operate the tool in the vicinity of any wires or cables which may carry electric current.

CAUTION

- Wear appropriate personal hearing protection during use. Under some conditions and durations of use, noise from this product may contribute to hearing loss.
- **Avoid dangerous environments** - Don't use appliances in damp or wet location.
- **Don't use in rain.**
- **Keep children away** - All visitors should be kept at least 100 ft. away from work area.
- **Dress properly** - Do not wear loose clothing or jewelry. They can be caught in moving parts. Use of rubber gloves and substantial footwear is recommended when working outdoors. Wear protective hair covering to contain long hair.
- **Use safety glasses** - Always use face or dust mask if operation is dusty.
- **Use the right appliance** - Do not use the tool for any job except that for which it is intended.
- **Avoid unintentional starting** - Don't carry the trimmer with your finger on the trigger. Always remove the battery pack whenever leaving the trimmer unattended.
- **Don't force the appliance** - It will do the job better and with less likelihood of a risk of injury at the rate for which it was designed.
- **Don't overreach** - Keep proper footing and balance at all times.
- **Stay alert** - Watch what you are doing. Use common sense. Do not operate the appliance when you are tired.
- **Keep guards in place and in working order.**

SAFETY INFORMATION

- **Keep hands and feet away from the cutting area.**
- **Store idle appliances indoors** - When not in use, the appliances should be stored indoors in a dry and high or locked-up place with the battery pack removed out of reach of children.
- **Maintain appliance with care** - Keep cutting edge sharp and clean for best performance and to reduce the risk of injury. Follow instructions for lubricating and changing accessories. Keep handles dry, clean, and free from oil and grease.
- **Check damaged parts** - Before further use of the appliance trimmer, a guard or other part that is damaged should be carefully checked to determine that it will operate properly and perform its intended function. Check for alignment of moving parts, binding of moving parts, breakage of parts, mounting, and any other condition that may affect its operation. A guard or other part that is damaged should be properly repaired or replaced by an authorized service center unless indicated elsewhere in this manual.
- **Do not charge the battery pack in rain, or in wet locations.**
- **Remove or disconnect battery pack before servicing, cleaning or removing material from the trimmer.**
- **Use only with the battery packs and chargers listed below:**

BATTERY PACK	CHARGER
KB 124-03; KB 224-03 KB 424-03; KB 524-03	KRC 2445-03; KRC 2490-03

- **Do not dispose of the battery in a fire. The cells may explode.** Check with local codes for possible special disposal instructions.
- **Do not open or mutilate the battery. Released electrolyte is corrosive and may cause damage to the eyes or skin.** It may be toxic if swallowed.
- **Exercise care in handling batteries in order not to short the battery with conducting materials such as rings, bracelets, and keys.** The battery or conductor may overheat and cause burns.
- **Do not operate the trimmer while under the influence of alcohol or drugs.**
- **Clear the area to be cut before each use. Remove all objects such as rocks, broken glass, nails, wire, or string that can be thrown or become entangled in the cutting attachment.** Make sure that other persons and pets are at least 100 ft. (30.5m) away.
- **Always hold the trimmer firmly, with both hands on the handles, while operating.** Wrap your fingers and thumbs around the handles.
- **To reduce the risk of injury from loss of control, never work on a ladder or on any other insecure support.** Never hold the cutting attachment above waist height.
- **Do not operate the trimmer in gaseous or explosive atmospheres.** Motors in these appliances normally spark, and the sparks might ignite fumes.
- **Wear heavy long pants, long sleeves, boots, and gloves.** Avoid loose garments or jewelry that could get caught in moving parts of the machine or its motor.
- **Damage to trimmer - If you strike a foreign object with the trimmer or it becomes entangled, stop the tool immediately, check for damage and have any damage repaired before further operation is attempted.** Do not operate with a broken guard or spool.
- **If the equipment should start to vibrate abnormally, stop the motor and check immediately for the cause.** Vibration is generally a warning of trouble.
- **A loose head may vibrate, crack, break or come off the trimmer, which may result in serious or fatal injury. Make sure that the cutting attachment is properly fixed in position.** If the head loosens after fixing it in position, replace it immediately.
- **Never use a trimmer with a loose cutting attachment.**



SAFETY INFORMATION

- **Replace a cracked, damaged or worn-out cutting head immediately, even if damage is limited to superficial cracks.** Such attachments may shatter at high speed and cause serious or fatal injury.
- **Check the cutting attachment at regular short intervals during operation, or immediately if there is a noticeable change in cutting behavior.**
- **When replacing the cutting line, use triangle-shaped twisted nylon cutting line with a size that does not exceed 0.08 in. (2.0 mm); using heavier lines than recommended by the manufacturer increases the load on the motor and reduces its operating speed.** This results in overheating and damage to the trimmer.
- **To reduce the risk of serious injury, never use wire or metal-reinforced line or other material in place of the nylon cutting lines.** Pieces of wire could break off and be thrown at high speed toward the operator or bystanders.
- **When servicing, use only identical replacement parts.** Use of any other accessory or attachment which is not recommended for use with this tool may increase the risk of injury.
- **Do not wash with a hose; avoid getting water in motor and electrical connections.**
- **Save these instructions. Refer to them frequently and use them to instruct others who may use this tool.** If you lend this tool to someone else, also lend these instructions to them to prevent misuse of the product and possible injury.

SAVE THESE INSTRUCTIONS!

PREPARATION

Know Your String Trimmer

This product requires assembly. Carefully lift the tool from the carton and place it on a level work surface. Before attempting to use the string trimmer, familiarize yourself with all of its operating features and safety requirements.



WARNING

- Do not allow familiarity with the tool to cause carelessness. Remember that one careless moment is enough to cause severe injury. Before attempting to use any tool, be sure to become familiar with all of the operating features and safety instructions.
- Do not attempt to modify this tool or create accessories not recommended for use with this tool. Any such alteration or modification is misuse and could result in a hazardous condition leading to possible serious personal injury.

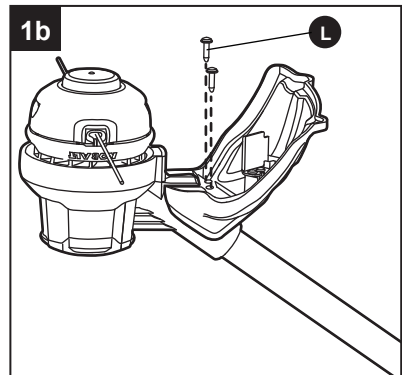
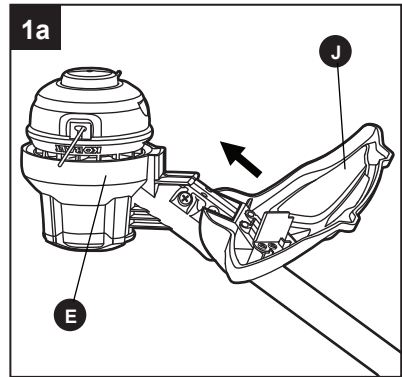
ASSEMBLY INSTRUCTIONS

This product requires assembly. To reduce the risk of injury to persons, never operate without guards in place. The guard must always be on the tool to protect the user.

1. Mounting the Guard

! WARNING

- Always wear gloves when mounting or replacing the guard. Be careful of the blade on the guard and protect your hands from being injured by the blade.
 - Always remove the battery pack from the product when you are assembling parts, making adjustments, cleaning, or when the product is not in use.
- a. Remove the battery pack (not included) from the trimmer.
 - b. Lift the trimmer head (E) and face it upward; align the groove on the bottom of the guard (J) with the raised portion on the base of the trimmer head, and then slide guard onto the base as shown.
 - c. Make sure that the two mounting holes in the guard are aligned with the two assembly holes in the base of the shaft. Lock the guard in place by tightening the two screws (L) with a Phillips screwdriver (not included).



ASSEMBLY INSTRUCTIONS

2. Mounting the Front-Assist Handle

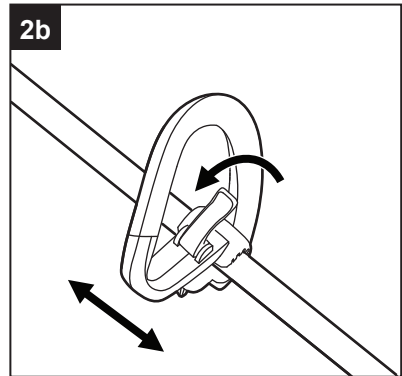
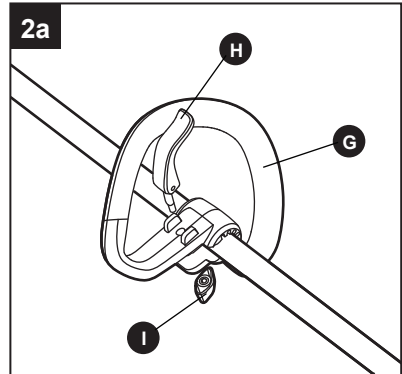
! WARNING

- Always remove the battery pack from the product when you are assembling parts, making adjustments, cleaning, or when the product is not in use.
- a. Remove the battery pack (not included) from the trimmer.
 - b. Remove the screw knob (I) and the adjusting lever (H) from the front-assist handle (G).
 - c. To attach the front-assist handle on the shaft, insert the adjusting lever into the front-assist handle, and then tighten the screw knob. Make sure that the front-assist handle faces upwards so that it points toward the top of the handle.
 - d. Lower the adjusting lever to secure the front-assist handle onto the shaft so that it cannot move on the shaft during operating.

To Adjust the Front-Assist Handle Position

The handle should be adjusted so that your front arm will be straight when using the trimmer.

To adjust the front-assist handle (G) position, lift the adjusting lever so that the front-assistant handle can be moved to the desired position of the shaft. Lower the adjusting lever so that the handle cannot move on the shaft during operating.



ASSEMBLY INSTRUCTIONS

3. To Attach/Remove Battery Pack

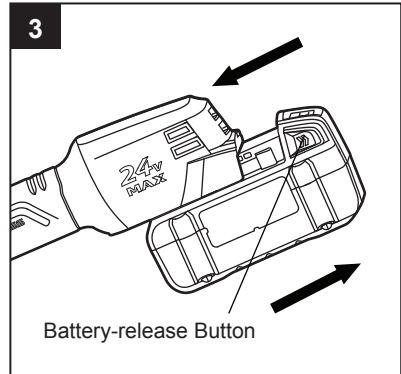
To Attach Battery Pack

- Make sure that the switch is in the OFF position.
- Align the raised portion on the battery pack (not included) with the grooves on the bottom of the tool, then slide the battery pack onto the tool as shown.
- Ensure that the battery-release buttons on the battery pack snap into place and the battery pack is secured to the tool before beginning operation.

NOTICE: When placing the battery pack on the tool, be sure that the raised rib on the battery pack aligns with the groove on the tool and the latches snap into place properly. Improper assembly of the battery pack can cause damage to internal components.

To Remove Battery Pack

- Make sure that the switch is in the OFF position.
- Press the battery-release buttons to release the battery pack.
- Pull rearward on the battery pack to remove it from the tool.



⚠ WARNING

- Battery tools are always in operating condition. Therefore, the trigger switch should always be in the OFF position when the tool is not in use or when carrying the tool at your side.

OPERATING INSTRUCTIONS

4. Holding the String Trimmer

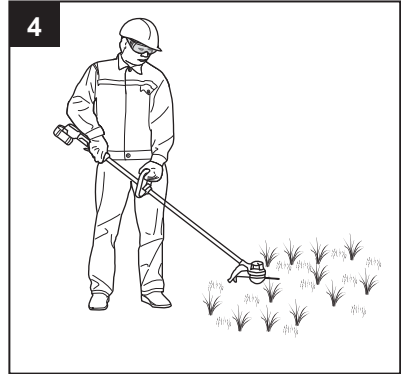
! WARNING

- Dress properly to reduce the risk of injury when operating this tool.

Do not wear loose clothing or jewelry. Wear eye and ear/hearing protection. Wear heavy, long pants, boots and gloves. Do not wear short pants or sandals or go barefoot.

Before operating the unit, stand in the operating position and check that:

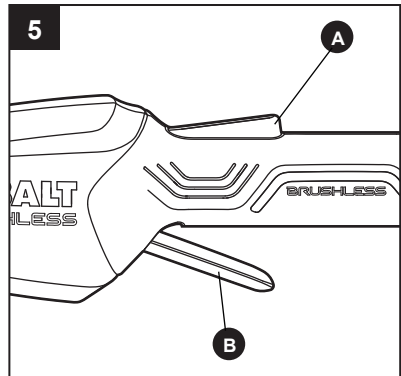
- The operator is wearing eye protection and proper clothing.
- One arm is slightly bent, and the hand on that arm is holding the rear handle.
- The other arm is straight, with that hand holding the front-assist handle.
- The trimmer head is parallel to the ground and easily contacts the material to be cut without the operator having to bend over.



5. To Start/Stop the String Trimmer

Before starting the string trimmer:

- Make sure that you have a secure and balanced footing.
 - Stand upright and hold the string trimmer in a relaxed position.
 - Make sure that the cutting line is not touching the ground or any other objects.
 - Hold the string trimmer with both hands: one hand on the rear handle (C) and one hand on the front-assist handle (G).
- a. To turn the string trimmer ON, press down the lock-off button (A) and then depress the variable-speed trigger switch (B).
 - b. The variable-speed trigger switch delivers higher speed with increased trigger pressure and lower speed with decreased trigger pressure.
 - c. To turn it off, release the variable-speed trigger switch and allow the trimmer to come to a complete stop.



! WARNING

- Always remove the battery pack from the string trimmer during work breaks and after finishing work.

OPERATING INSTRUCTIONS

6. Using the String Trimmer

Check for damaged/worn parts before each use

⚠ WARNING

- To prevent serious personal injury, remove the battery pack from the tool before servicing, cleaning, changing attachments or removing material from the unit.

Check the bump head, guard (J) and front-assist handle (G) and replace any parts that are cracked, warped, bent, or damaged in any way.

The line-cutting blade (K) on the edge of the guard can dull over time. It is recommended that you periodically sharpen it with a file or replace it with a new blade.

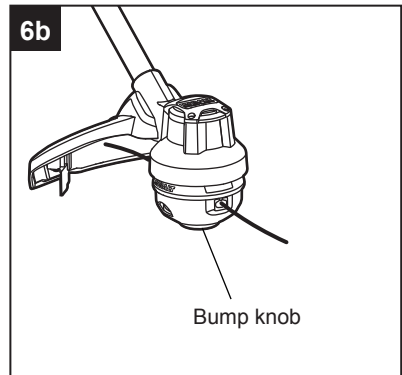
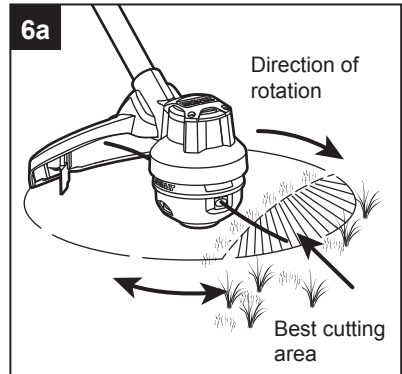
⚠ WARNING

- Always wear gloves when mounting or replacing the guard or when sharpening or replacing the blade. Note the location of the blade on the guard and protect your hand from injury.

Tips for best trimming results

⚠ WARNING

- To avoid serious personal injury, wear goggles or safety glasses at all times when operating this unit. Wear a face mask or dust mask in dusty locations. Wear proper clothing and footwear during operation to reduce the risk of injury that may be caused by flying debris.
- Clear the area to be cut before each use. Remove all objects, such as rocks, broken glass, nails, wire, or string that can be thrown or become entangled in the cutting attachment. Clear the area of children, bystanders, and pets. At a minimum, keep all children, bystanders and pets at least 100 ft. (30.5 m) away; there still may be risk to bystanders from thrown objects.
- Bystanders should be encouraged to wear eye protection. If you are approached, stop the motor and cutting attachment immediately. The correct angle for the cutting attachment is parallel to the ground.
- This string trimmer allows you to rest the bump knob (F) on the ground for more comfortable operation.
- Do not force the trimmer. Allow the very tip of the line to do the cutting (especially along walls). Cutting with more than the tip will reduce cutting efficiency and may overload the motor.
- The cutting height is determined by the distance of the cutting line from the lawn surface.
- Grass over 8 in. (200 mm) should be cut by working from top to the bottom in small increments to avoid premature line wear or motor drag.



OPERATING INSTRUCTIONS

- Slowly move the trimmer into and out of the area being cut, maintaining the cutting head position at the desired cutting height. This movement can be either a forward-backward motion or a side-to-side motion. Cutting shorter lengths produces best results.
- Trim only when grass and weeds are dry.
- Wire and picket fences can cause extra string wear or breakage. Stone and brick walls, curbs, and wood may wear strings rapidly.
- Avoid trees and shrubs. Tree bark, wood moldings, siding, and fence posts can easily be damaged by the strings.

Adjusting Cutting Line Length (Fig 6b)

The trimmer head allows the operator to release more cutting line without stopping the motor. As line becomes frayed or worn, additional line can be released by lightly tapping the bump knob (F) on the ground while operating the trimmer.

For best results, tap the bump knob on bare ground or hard soil. If line release is attempted in tall grass, the motor may overheat.

Always keep the trimming line fully extended. Line release becomes more difficult as the cutting line becomes shorter.



WARNING

- Do not remove or alter the line cutting blade assembly. Excessive line length will cause the motor to overheat and may result in serious personal injury.

Clean the trimmer after each use



WARNING

- To prevent serious personal injury, remove the battery pack from the tool before servicing, cleaning, changing attachments or removing material from the unit.
- a. Clear any grass that may have wrapped itself around the motor shaft or trimmer head.
 - b. Use only a clean, dry and soft cloth to clean the tool. Never let any liquid get inside the tool; never immerse any part of the tool into a liquid.
 - c. Keep the air vents in the rear housing free from debris at all times.

NOTICE: Obstructing the vents will prevent the air from flowing into the motor housing and may result in overheating or damage to the motor.



WARNING

- Never use water for cleaning your trimmer. Avoid using solvents when cleaning plastic parts. Most plastics are susceptible to damage from various types of commercial solvents. Use clean clothes to remove dirt, dust, oil, grease, etc.

OPERATING INSTRUCTIONS

7. Line Replacement

NOTICE: Always use triangle-shaped twisted nylon cutting line with a size that does not exceed 0.08 in. (2.0 mm). Using line other than that specified may cause the string trimmer to overheat or become damaged.

! WARNING

- Never use metal-reinforced line, wire, or rope, etc. These can break off and become dangerous projectiles.

Wind the spool with new line

! WARNING

- To prevent serious personal injury, remove the battery pack from the tool before servicing, cleaning, changing attachments or removing material from the unit.

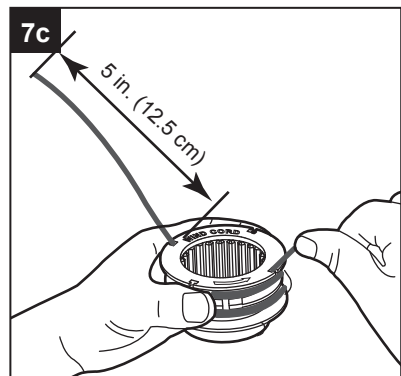
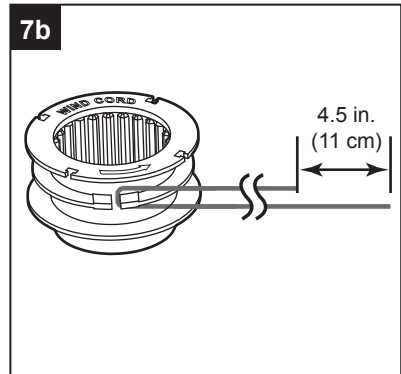
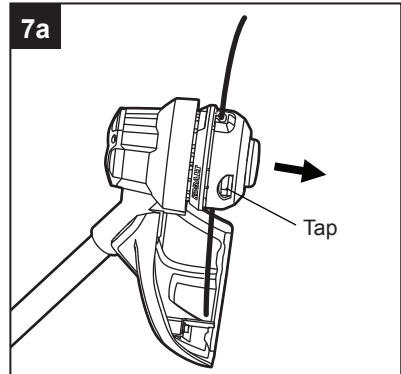
- a. Press the two release tabs on the spool base and remove the spool retainer by pulling it straight out (Fig. 7a).
- b. Remove the spool. Use a clean cloth to clean the inner surface of the spool retainer and spool base.

NOTICE: Always clean the spool retainer and spool base before reassembling the trimmer head.

- c. Check the spool retainer, spool and spool base worn wear parts.
- d. Take approximately 15 ft. (4.5 m) of 0.08 in. (2.0 mm) diameter cutting line. Fold the line in half and then adjust it so that one end is 4.5 in. (11 cm) longer than the other (Fig. 7b).
- e. Hook the folded end of the cutting line onto either of the slots in the spool.
- f. Wind the line, in two even and tight layers, onto the spool. Wind the line in the direction indicated on the spool.

NOTICE: Failure to wind the line in the direction indicated will cause the trimmer head to operate incorrectly.

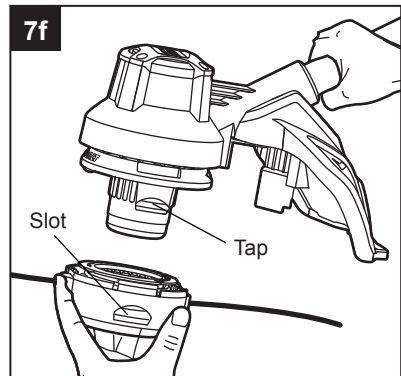
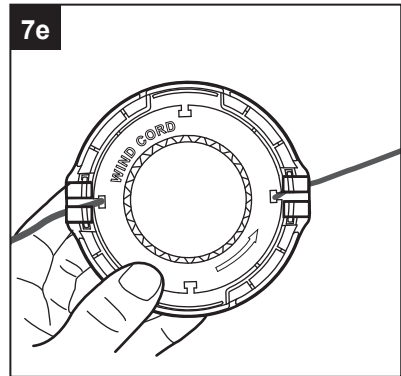
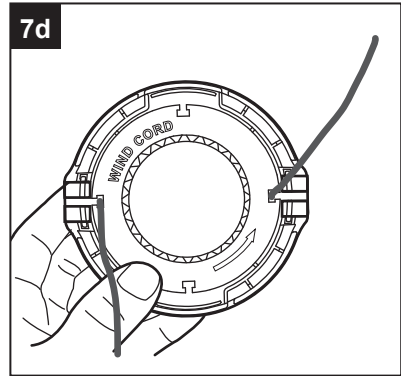
- g. Place the ends of the line in two opposite notches in the spool, with approximately 5 in. (12.5 cm) protruding (Fig. 7c).



OPERATING INSTRUCTIONS

- h. Align the notches of the spool from which the lines protrude with the eyelets in the spool retainer and position the spool in the retainer (Fig. 7d).
- i. Holding the spool and spool retainer, grasp one end of the line and pull it to release the line from the notch in the eyelet (Fig. 7e). Repeat with the other end.
- j. With the spool base facing downward, align the slots in the spool retainer with the tabs on the spool base and press the retainer evenly down until it snaps into place (Fig. 7f).

NOTICE: Make sure that the tabs on the spool base snap into place or the spool will come out during operation.



CARE AND MAINTENANCE

 All maintenance should only be carried out by a qualified service technician.

Before cleaning or performing any maintenance, remove battery from the tool. For safe and proper operation, always keep the tool and its ventilation slots clean.

Cleaning

Always use only a soft, dry cloth to clean your string trimmer; never use detergent or alcohol. Clear any grass that may have wrapped itself around the motor shaft or trimmer head. Keep the air vents free of obstructions.

Storage

Clean the tool thoroughly before storing it.

Store the unit in a dry, well-ventilated area, locked-up or up high, out of the reach of children. Keep away from corrosive agents, such as garden chemicals and de-icing salts.

TROUBLESHOOTING

WARNING:

- Turn the switch to the “OFF” position and remove battery from the tool before performing troubleshooting procedures.

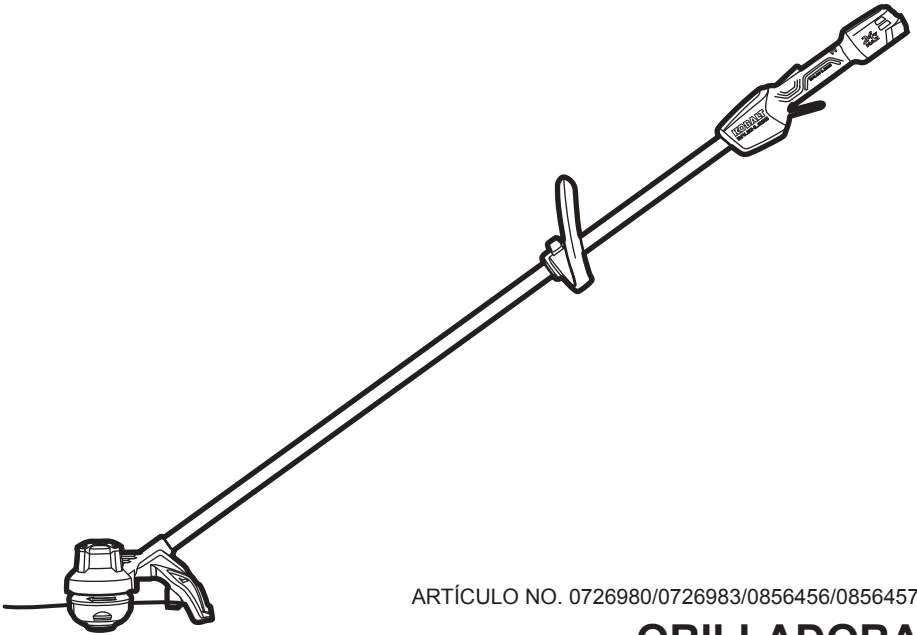
PROBLEM	POSSIBLE CAUSE	CORRECTIVE ACTION
Tool does not work.	Low battery capacity.	Charge the battery pack.
String trimmer stops while cutting.	1. The motor shaft or trimmer head is bound with grass.	1. Stop the trimmer, remove the battery, and remove the grass from the motor shaft and trimmer head.
	2. The motor is overloaded.	2. Move the trimmer head to cut the grass no more than 8 in. of length in a single cut. Remove the trimmer head from the grass and restart the tool.
	3. The battery pack or string trimmer is too hot.	3. Release the trigger switch, wait for the tool to cool down, and then start the tool again.
Trimmer head will not advance line.	1. The motor shaft or trimmer head is bound with grass.	1. Stop the trimmer, remove the battery, and clean the motor shaft and trimmer head.
	2. There is not enough line on the spool.	2. Remove the battery and replace the cutting line; follow the section “Line Replacement” in this manual.

WARRANTY

For 5 years from the date of purchase, this product is warranted for the original purchaser to be free from defects in material and workmanship. This guarantee does not cover damage due to abuse, normal wear, improper maintenance, neglect, unauthorized repair/alteration, or expendable parts and accessories expected to become unusable after a reasonable period of use. This warranty is limited to 90 days for commercial and rental use.

If you think your product meets the above guarantee criteria, please return it to the place of purchase with valid proof of purchase and the defective product will be repaired or replaced at no charge. This guarantee gives you specific legal rights, and you may also have other rights that vary from state to state.

KOBALT™



ARTÍCULO NO. 0726980/0726983/0856456/0856457

ORILLADORA SIN CEPILLO

MODELO #KST 1224B-03

ADJUNTE SU RECIBO AQUÍ

Número de serie _____ Fecha de compra _____



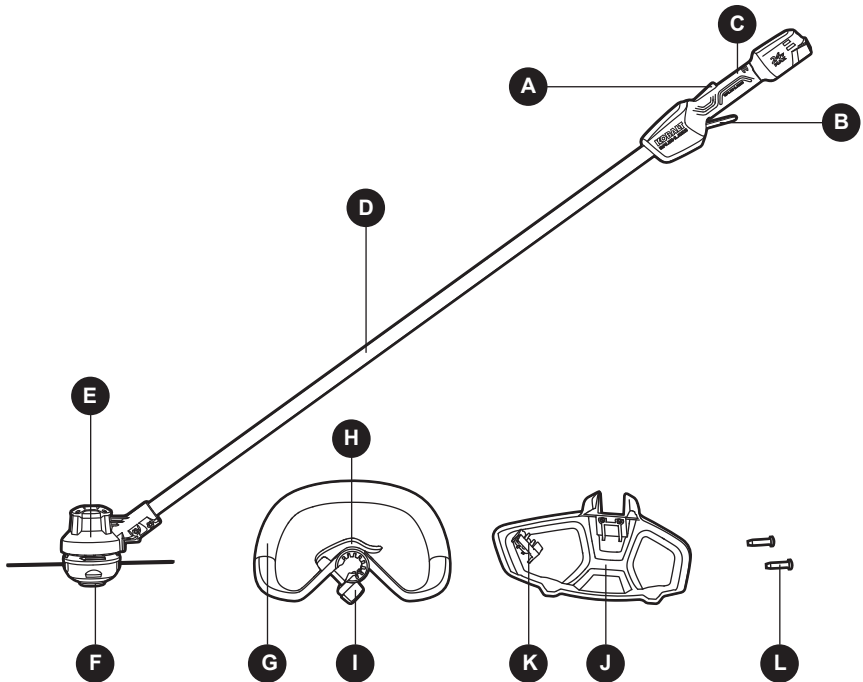
¿Preguntas, problemas, piezas faltantes? Antes de volver a la tienda, llame a nuestro Departamento de Servicio al Cliente al 1-888-3KOBALT (1-888-356-2258), de lunes a viernes de 8 a.m. a 8 p.m., hora estándar del Este.

ÍNDICE

Especificaciones del producto.....	20
Contenido del paquete.....	21
Información de seguridad.....	22
Preparación.....	25
Instrucciones de ensamblaje.....	26
Instrucciones de funcionamiento.....	29
Cuidado y mantenimiento	34
Solución de problemas.....	35
Garantía	35

ESPECIFICACIONES DEL PRODUCTO

COMPONENTE	ESPECIFICACIONES
Rango de voltaje	24V c.c.
Velocidad sin carga	5,800-7,100 RPM
Tipo de hilo de corte	Hilo de nailon torcido de 0,08 pulgadas
Ancho de corte	30,48 cm



PIEZA	DESCRIPCIÓN
A	Botón de bloqueo-apagado
B	Interruptor de gatillo de velocidad variable
C	Manija posterior
D	Eje de la orilladora
E	Cabezal de orilladora
F	Perilla para golpeteo

PIEZA	DESCRIPCIÓN
G	Manija delantera
H	Palanca de ajuste
I	Perilla con tornillo
J	Protector
K	Hoja para corte de hilo
L	Tornillos (2)

⚠ ADVERTENCIA

- Retire la herramienta del paquete y examínela con cuidado. Inspeccione la herramienta con cuidado para asegurarse de que no se produjo ninguna ruptura ni ningún daño durante el envío. Si hay piezas faltantes o dañadas, devuelva este producto al lugar donde lo compró. No deseche la caja ni ningún material de embalaje hasta después de examinar todas las piezas.
- Si falta alguna pieza o si alguna pieza está dañada, no fije el paquete de baterías ni use la herramienta hasta reparar o reemplazar la pieza. El incumplimiento de esta advertencia podría provocar lesiones graves.

INFORMACIÓN DE SEGURIDAD

Lea y comprenda completamente este manual antes de intentar ensamblar u operar este producto. Si tiene preguntas relacionadas con el producto, llame al departamento de servicio al cliente al 1-888-3KOBALT, de lunes a viernes de 8 a. m. a 8 p.m., hora estándar del Este.

ADVERTENCIA

- La operación de cualquier herramienta eléctrica puede arrojar objetos extraños a sus ojos y, de esta manera, causar graves daños oculares. Use siempre lentes o gafas de seguridad con protecciones laterales y, cuando sea necesario, una mascarilla que cubra todo el rostro antes de comenzar a operar una herramienta eléctrica. Recomendamos usar una máscara de seguridad de visión amplia sobre los lentes o las gafas de seguridad estándar con protección. Siempre use lentes de protección que cumplan con la norma ANSI Z87.1.
- Parte del polvo causado por el lijado eléctrico, el serruchado, la trituración, el taladrado y otras actividades de construcción contiene sustancias químicas que, según el estado de California, causan cáncer, defectos congénitos u otros daños reproductivos. Algunos ejemplos de estos químicos son los siguientes:
 - Plomo de pinturas a base de plomo.
 - Sílice cristalina de ladrillo, cemento y otros productos de mampostería.
 - Arsénico y cromo de madera tratada con sustancias químicas.
- El riesgo que corre debido a la exposición a estos químicos varía según la frecuencia con que realiza este tipo de trabajo. Para disminuir su exposición a estas sustancias químicas:
 - Trabaje en un área bien ventilada.
 - Trabaje con equipo de seguridad aprobado, como las mascarillas antipolvo especialmente diseñadas para filtrar partículas microscópicas.
 - Evite estar en contacto prolongado con el polvo provocado por las lijas, sierras, trituradoras y taladros eléctricos, y otras actividades de fabricación. Use ropa protectora y lave todas las áreas expuestas del cuerpo con agua y jabón. Si permite que el polvo llegue a su boca o a sus ojos, o que repose sobre la piel, esto puede fomentar la absorción de químicos dañinos.

PELIGRO

- Las personas con dispositivos electrónicos, como marcapasos, deben consultar a su médico antes de usar este producto. El funcionamiento del equipo eléctrico en proximidad de un marcapasos cardíaco puede causar interferencias o hacer que el marcapasos falle.

Conozca la herramienta

Para operar esta herramienta, lea cuidadosamente este manual y las etiquetas fijadas a la herramienta antes de usarla. Guarde este manual para referencia futura.




Importante

Esta herramienta solo debe ser reparada por un técnico de servicio calificado.

Lea por completo todas las instrucciones

INFORMACIÓN DE SEGURIDAD

Algunos de los siguientes símbolos pueden aplicarse al uso de esta herramienta. Obsérvelos y aprenda su significado. La interpretación correcta de estos símbolos le permitirá utilizar la herramienta de manera eficaz y segura.

SÍMBOLO	DEFINICIÓN	SÍMBOLO	DEFINICIÓN
V	Voltios	n_0	Velocidad sin carga
A	Amperios	RPM	Revoluciones por minuto
Hz	Hertz		Corriente continua
	ADVERTENCIA: Para reducir el riesgo de lesiones, el usuario debe leer el manual de instrucciones.		Peligro, advertencia o precaución. Significa ¡atención! Su seguridad está comprometida.

INSTRUCCIONES IMPORTANTES DE SEGURIDAD

ADVERTENCIA

- Cuando utilice orilladoras eléctricas, siga siempre las medidas de seguridad básicas para reducir el riesgo de incendios, descargas eléctricas y lesiones personales, incluido lo siguiente:

LEA TODAS LAS INSTRUCCIONES

PELIGRO

- No confíe en el aislamiento de la herramienta contra las descargas eléctricas. Para reducir el riesgo de descarga eléctrica, no utilice la herramienta cerca de conductores o cables que puedan transportar corriente eléctrica.

PRECAUCIÓN

- Use protección personal adecuada para los oídos durante el uso. El ruido que genera este producto puede contribuir a la pérdida de la audición en algunas condiciones y períodos de uso.
- **Evite los entornos peligrosos:** no use electrodomésticos en ubicaciones húmedas o mojadas.
- **No utilice la herramienta bajo la lluvia.**
- **Mantenga a los niños alejados:** todas las visitas deben mantenerse a una distancia de al menos 30,5 m del área de trabajo.
- **Use ropa adecuada:** no use ropa holgada ni joyas. Pueden quedar atrapadas en las piezas móviles. Se recomienda utilizar guantes de goma y un calzado adecuado si trabaja en el exterior. Use una malla protectora para contener el cabello largo.
- **Use gafas de seguridad:** use siempre una mascarilla antipolvo cuando haya mucho polvo.
- **Use el electrodoméstico adecuado:** no use la herramienta en tareas diferentes para la que fue diseñada.
- **Evite los arranques accidentales:** no traslade la orilladora con el dedo en el gatillo. Retire el paquete de baterías siempre que deje la orilladora sin supervisión.
- **No fuerce el electrodoméstico:** este tendrá un mejor desempeño con menos probabilidades de riesgo de lesiones si lo utiliza a la velocidad para el que fue diseñado.
- **No se extienda demasiado:** mantenga una posición y un equilibrio adecuados en todo momento.

INFORMACIÓN DE SEGURIDAD

- **Esté alerta:** preste atención a lo que está haciendo. Use el sentido común. No use el electrodoméstico si está cansado.
- **Mantenga los protectores en su lugar y en buenas condiciones de funcionamiento.**
- **Mantenga las manos y los pies alejados del área de corte.**
- **Almacene los electrodomésticos que no utiliza en interiores:** cuando no estén en uso, los electrodomésticos deben almacenarse en interiores en un lugar seco y alto o cerrado, sin el paquete de baterías, fuera del alcance de los niños.
- **Mantenga el electrodoméstico en buenas condiciones:** mantenga los bordes de corte filosos y limpios para lograr un mejor rendimiento y reducir el riesgo de lesiones. Siga las instrucciones para lubricar y reemplazar accesorios. Mantenga las manijas secas, limpias y sin aceite ni grasa.
- **Verifique que no haya piezas dañadas:** antes de seguir utilizando la orilladora, debe verificar detenidamente que los protectores, o cualquier otra pieza dañada, funcionen correctamente y realicen la función deseada. Verifique la alineación y la unión de las piezas móviles, si están rotas, su montaje y cualquier otro tipo de condición que pueda afectar el funcionamiento. Si un protector o cualquier otra pieza está dañada, debe repararse o reemplazarse correctamente en un centro de servicio autorizado, a menos que se indique otro lugar en este manual.
- **No coloque el paquete de baterías bajo la lluvia ni en ubicaciones húmedas.**
- **Retire o desconecte el paquete de baterías antes de realizarle mantenimiento o limpieza a la orilladora, o de retirar material de esta.**
- **Use solamente los paquetes de baterías y los cargadores que se indican a continuación:**

PAQUETE DE BATERÍAS	CARGADOR
KB 124-03; KB 224-03 KB 424-03; KB 524-03	KRC 2445-03; KRC 2490-03

- **No incinere la batería. Las células pueden explotar.** Revise los códigos locales para obtener las instrucciones de eliminación especiales posibles.
- **No abra ni mutile la batería. El electrolito liberado es corrosivo y puede dañar los ojos o la piel.** Puede ser tóxico si se ingiere.
- **Tenga cuidado cuando manipule baterías para no hacer cortocircuito en estas con los materiales conductores, como anillos, brazaletes y llaves.** Es posible que la batería o el conductor se sobrecalienten y produzcan quemaduras.
- **No use la orilladora bajo los efectos del alcohol o de drogas.**
- **Despeje el área que cortará antes de cada uso. Retire todos los objetos, como rocas, vidrios rotos, clavos, alambres o cuerdas, que puedan ser lanzados por la máquina o que puedan enredarse en el accesorio de corte.** Asegúrese de que las demás personas y mascotas se encuentren a una distancia de al menos 30,5 m.
- **Siempre sostenga la orilladora firmemente con ambas manos en las manijas durante el uso.** Rodee las manijas con los dedos y los pulgares.
- **Para reducir el riesgo de lesiones por pérdida de control, no trabaje en escaleras ni en otros soportes inseguros.** No sostenga el accesorio de corte por encima de la altura de la cintura.
- **No utilice la orilladora en atmósferas gaseosas ni en las que exista riesgo de explosión.** Los motores en estos electrodomésticos normalmente producen chispas y las chispas pueden encender gases.
- **Use pantalones largos y gruesos, mangas largas, botas y guantes.** Evite usar ropa holgada o joyas ya que estas podrían atraparse en las piezas en movimiento de la máquina o en su motor.

INFORMACIÓN DE SEGURIDAD

- **Daños en la orilladora:** si la orilladora choca con un objeto extraño o si se enreda, detenga la herramienta inmediatamente, verifique que no haya daños y repare los daños que haya antes de intentar volver a utilizarla. No utilice la herramienta si el protector o el carrete está dañado.
- **Si el equipo comienza a vibrar de manera anormal, detenga el motor y busque la causa de inmediato.** Por lo general, la vibración advierte un problema.
- **Un cabezal suelto puede vibrar, agrietarse, romperse o salirse de la orilladora, lo cual puede producir lesiones graves o fatales. Asegúrese de que el accesorio de corte esté fijo en su posición de forma correcta.** Si el cabezal se afloja después de fijarlo en su posición, reemplácelo inmediatamente.
- **No use una orilladora con un accesorio de corte suelto.**
- **Reemplace los cabezales de corte agrietados, dañados o desgastados inmediatamente, incluso si el daño se limita a grietas superficiales.** Estos accesorios pueden quebrarse a una velocidad alta y provocar lesiones graves o fatales.
- **Verifique el accesorio de corte en intervalos breves y regulares durante el uso o inmediatamente si hay un cambio notable en el comportamiento de corte.**
- **Al reemplazar el hilo de corte, use un hilo de corte de nailon torcido triangular de un tamaño que no supere las 0,08 pulgadas (2 mm).** El uso de hilos más pesados que los recomendados por el fabricante aumenta la carga sobre el motor y reduce su velocidad de funcionamiento. Esto produce sobrecalentamiento y daño de la orilladora.
- **Para reducir el riesgo de lesiones graves, no use alambres ni hilos reforzados de metal u otros materiales en lugar de hilos de corte de nailon.** Los trozos de alambre pueden romperse a una velocidad alta en dirección del operador o de los transeúntes.
- **Al realizar mantenimiento, utilice solo piezas de repuesto idénticas.** El uso de cualquier otro accesorio que no esté recomendado para esta herramienta puede aumentar el riesgo de lesiones.
- **No lave con manguera y evite que el agua entre en contacto con el motor y las conexiones eléctricas.**
- **Guarde estas instrucciones. Consúltelas periódicamente y utilícelas para instruir a otras personas que puedan utilizar esta herramienta.** Si presta la herramienta a alguien más, préstele también estas instrucciones para prevenir el mal uso del producto y posibles lesiones.

GUARDE ESTAS INSTRUCCIONES.

PREPARACIÓN

Conozca su orilladora

Este producto debe ensamblarse antes del uso. Extraiga la herramienta de la caja cuidadosamente y colóquela sobre una superficie de trabajo uniforme. Antes de intentar usar la orilladora, familiarícese con todas sus características de operación y requisitos de seguridad.

ADVERTENCIA

- Sea cuidadoso, incluso si está familiarizado con la herramienta. Recuerde que un momento de descuido es suficiente para causar lesiones graves. Antes de intentar utilizar cualquier herramienta, asegúrese de familiarizarse con todas las funciones de operación e instrucciones de seguridad.
- No intente modificar esta herramienta ni crear accesorios que no sean los recomendados para esta. Cualquier alteración o modificación es considerada un mal uso y podría causar una condición peligrosa que podría producir lesiones personales graves.

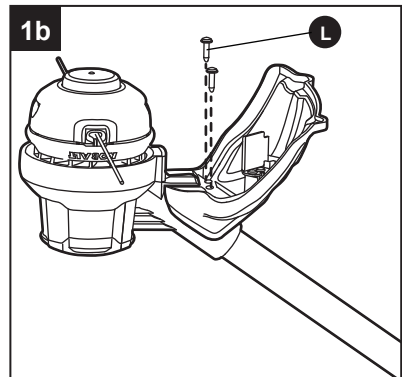
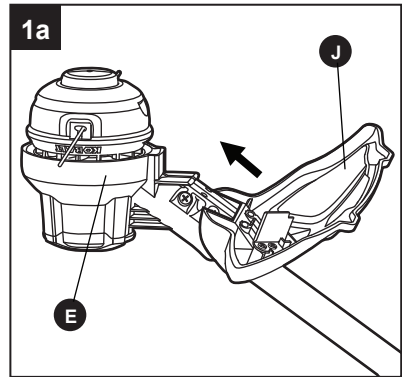
INSTRUCCIONES DE ENSAMBLAJE

Este producto requiere de ensamblado. Para reducir el riesgo de lesiones a personas, no use la herramienta si los protectores no están en su lugar. El protector siempre debe estar en la herramienta para proteger al usuario.

1. Montaje del protector

⚠ ADVERTENCIA

- Siempre use guantes cuando monte o reemplace el protector. Tenga cuidado con la hoja del protector y evite que sus manos se lesionen con la hoja.
 - Siempre retire el paquete de baterías del producto cuando no esté en uso o cuando esté ensamblando las piezas, realizando ajustes o limpiándolo.
- a. Retire el paquete de baterías (no incluido) de la orilladora.
 - b. Levante el cabezal de la orilladora (E) y ubíquelo de modo que mire hacia arriba, alinee la ranura de la parte inferior del protector (J) con la parte elevada de la base del cabezal de la orilladora y luego deslice el protector en la base como se muestra.
 - c. Asegúrese de que los dos orificios de montaje del protector estén alineados con los dos orificios de ensamble de la base del eje. Asegure el protector en su lugar apretando los dos tornillos (L) con un destornillador Phillips (no incluido).



2. Montaje de la manija delantera

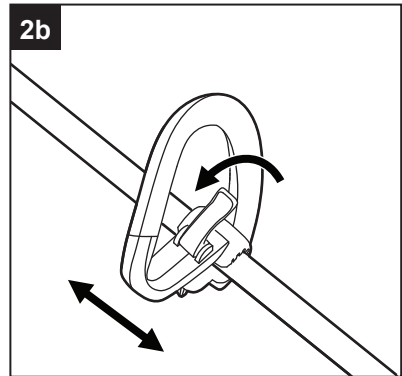
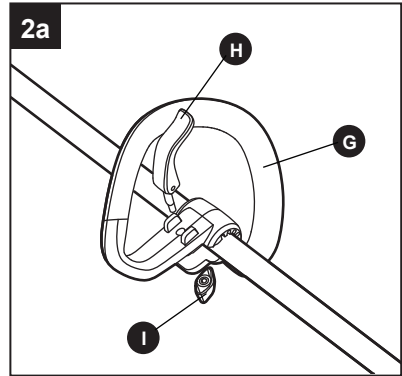
! ADVERTENCIA

- Siempre retire el paquete de baterías del producto cuando no esté en uso o cuando esté ensamblando las piezas, realizando ajustes o limpiándolo.
- a. Retire el paquete de baterías (no incluido) de la orilladora.
 - B. Retire la perilla del tornillo (I) y la palanca de ajuste (H) de la manija delantera (G).
 - c. Para fijar la manija delantera al eje, inserte la palanca de ajuste a la manija delantera y luego apriete la perilla del tornillo. Asegúrese de que la manija delantera mire hacia arriba, de modo que apunte hacia la parte superior de la manija.
 - d. Baje la palanca de ajuste para asegurar la manija delantera sobre el eje, de modo que no pueda moverse sobre el eje durante el funcionamiento.

Cómo ajustar la posición de la manija delantera

La manija debe ajustarse de modo que su brazo frontal quede recto cuando use la orilladora.

Para ajustar la posición de la manija delantera (G), levante la palanca de ajuste de modo que la manija delantera pueda moverse a la posición deseada del eje. Baje la palanca de ajuste de modo que la manija no pueda moverse sobre el eje durante el funcionamiento.

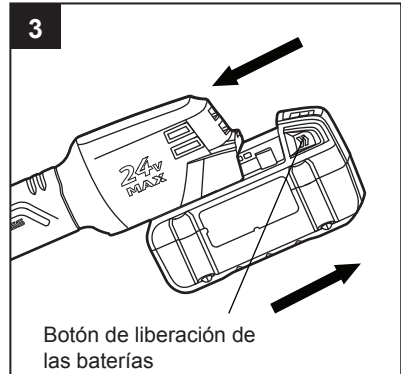


INSTRUCCIONES DE ENSAMBLAJE

3. Cómo fijar y retirar el paquete de baterías

Para fijar el paquete de baterías

- Asegúrese de que el interruptor esté en la posición OFF.
- Alinee la parte elevada del paquete de baterías (no incluido) con las ranuras de la parte inferior de la herramienta y luego deslice el paquete de baterías sobre la herramienta, como lo muestra la imagen.
- Asegúrese de que los botones de liberación de la batería del paquete de baterías encajen en su lugar y que el paquete de baterías quede fijo a la herramienta antes de comenzar la operación.



AVISO: Al colocar el paquete de baterías en la herramienta, asegúrese de que la varilla elevada del paquete de baterías se alinee con la ranura de la herramienta y que los pestillos encajen en su lugar adecuadamente. El ensamblaje inadecuado del paquete de baterías puede provocar daños a los componentes internos.

Para liberar el paquete de baterías

- Asegúrese de que el interruptor esté en la posición OFF.
- Presione los botones de liberación de la batería para liberar el paquete de baterías.
- Jale el paquete de baterías hacia atrás para retirar la batería de la herramienta.



ADVERTENCIA

- Las herramientas con batería siempre están en condiciones de operación. Por lo tanto, el interruptor de gatillo debe estar siempre en la posición OFF cuando la herramienta no esté en uso o cuando transporte la herramienta a su lado.

INSTRUCCIONES DE FUNCIONAMIENTO

4. Cómo sostener la orilladora

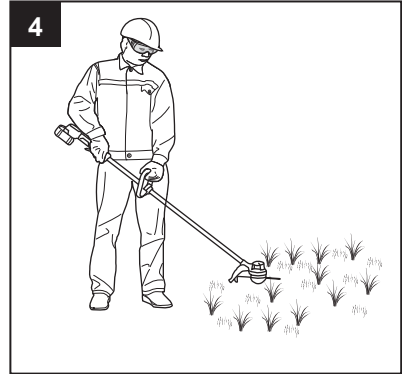
! ADVERTENCIA

- Use ropa adecuada para reducir el riesgo de lesiones cuando use esta herramienta.

No use ropa holgada ni joyas. Use protección para los ojos y las orejas. Use pantalones largos y pesados, botas y guantes. No use pantalones cortos ni sandalias, ni tenga los pies descalzos.

Antes de usar la unidad, colóquese en la posición de operación y verifique lo siguiente:

- El operador usa lentes de protección y ropa adecuada.
- Tiene un brazo levemente doblado y la mano de ese brazo sostiene la manija posterior.
- Tiene el otro brazo recto y la mano de ese brazo sostiene la manija delantera.
- El cabezal de la orilladora se encuentra paralelo al suelo y entra en contacto fácilmente con el material que debe cortar sin que el operador deba inclinarse.

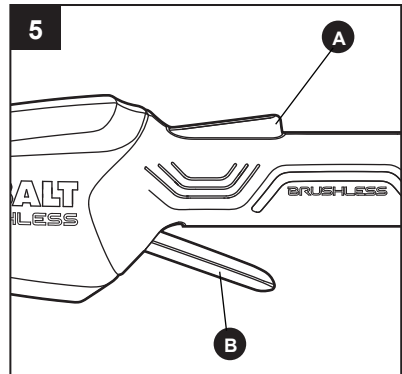


5. Encendido y apagado de la orilladora

Antes de encender la orilladora, tenga en cuenta lo siguiente:

- Asegúrese de estar en una posición segura y equilibrada.
- Párese en posición recta y sostenga la orilladora en una posición relajada.
- Asegúrese de que el hilo de corte no toque el suelo ni otros objetos.
- Sostenga la orilladora con ambas manos: una mano en la manija posterior (C) y la otra en la manija delantera (G).

- a. Para encender la orilladora, presione el botón de bloqueo-apagado (A) y, luego, presione el interruptor de gatillo de velocidad variable (B).
- b. El interruptor de gatillo de velocidad variable proporciona mayor velocidad con mayor presión en el gatillo y menor velocidad con menor presión en el gatillo.
- c. Para apagar la orilladora, suelte el interruptor de gatillo de velocidad variable y permita que la herramienta se detenga por completo.



! ADVERTENCIA

- Siempre retire el paquete de baterías de la orilladora en los descansos y tras finalizar los trabajos.

INSTRUCCIONES DE FUNCIONAMIENTO

6. Uso de la orilladora

Cómo verificar si hay piezas dañadas o desgastadas antes de cada uso

! ADVERTENCIA

- Para evitar lesiones personales graves, retire el paquete de baterías de la herramienta antes de realizarle mantenimiento, limpiarla, cambiarle accesorios o retirar materiales de la unidad.

Verifique el cabezal de alimentación por golpeteo, el protector (J) y la manija delantera (G), y reemplace las piezas agrietadas, deformadas, curvadas o dañadas de cualquier modo.

La hoja para corte de hilo (K) en el borde del protector puede desafilarse con el paso del tiempo. Se recomienda que la afile periódicamente con una lima o que la reemplace por una hoja nueva.

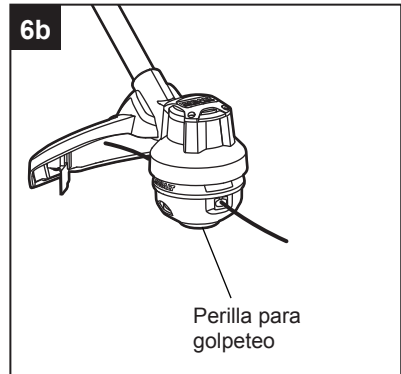
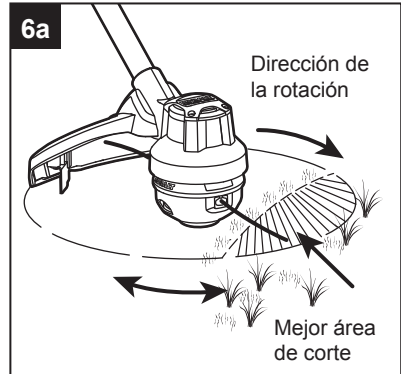
! ADVERTENCIA

- Siempre use guantes cuando monte o reemplace el protector o cuando afile o reemplace la hoja. Localice la ubicación de la hoja en el protector y proteja sus manos para evitar lesiones.

Consejos para lograr mejores resultados con la orilladora

! ADVERTENCIA

- Para evitar lesiones personales graves, use gafas o lentes de seguridad en todo momento al usar esta unidad. Utilice una mascarilla o una mascarilla antipolvo en lugares donde haya demasiado polvo. Use ropa y calzado adecuados durante el uso para reducir el riesgo de lesiones que pueden originarse a causa de desechos eyectados.
- Despeje el área que cortará antes de cada uso. Retire todos los objetos, como rocas, vidrios rotos, clavos, alambres o cuerdas, que puedan ser lanzados por la máquina o que puedan enredarse en el accesorio de corte. Despeje el área de niños, transeúntes y mascotas. Como mínimo, mantenga a todos los niños, transeúntes y mascotas al menos a 30,5 m de distancia. Aun así existe el riesgo de que los objetos que lanza la podadora impacten en los transeúntes.
- Se recomienda que los transeúntes usen lentes de protección. Si alguien se aproxima a usted, detenga el motor y el accesorio de corte inmediatamente. El ángulo correcto del accesorio de corte es paralelo al suelo.
- Esta orilladora le permite apoyar la perilla para golpeteo (F) sobre el suelo para un funcionamiento más cómodo.
- No fuerce la orilladora. Permita que la punta del hilo realice el corte (especialmente a lo largo de las paredes). Si corta con más que la punta, se reducirá la eficiencia de corte y se provocará una sobrecarga del motor.



INSTRUCCIONES DE FUNCIONAMIENTO

- La altura de corte se determina según la distancia del hilo de corte a la superficie del césped.
- El césped de más de 8 pulgadas (200 mm) debe cortarse desde la parte superior hacia la inferior en pequeños incrementos para evitar el desgaste prematuro del hilo o el arrastre del motor.
- Mueva la orilladora lentamente dentro y fuera del área que se corta manteniendo la posición del cabezal de corte en la altura de corte deseada. Este movimiento puede ser tanto hacia delante y hacia atrás como de un lado a otro. El corte de largos menores produce mejores resultados.
- Corte el césped y las malezas solo cuando estén secos.
- Las cercas de alambre y de estacas pueden ocasionar un mayor desgaste o la rotura de la cuerda. Las paredes de piedra o ladrillo, los bordes y la madera puede desgastar las cuerdas rápidamente.
- Evite árboles y arbustos. Las cuerdas pueden dañar fácilmente las cortezas de los árboles, las molduras en madera, los paneles de revestimiento y los postes para cerca.

Ajuste del largo del hilo de corte (Fig. 6b)

El cabezal de la orilladora le permite al operador liberar más hilo de corte sin detener el motor. A medida que el hilo se rasga o desgasta, puede liberarse hilo adicional si se golpea ligeramente la perilla para golpeteo (F) contra el suelo mientras se usa la orilladora.

Para obtener mejores resultados, golpee la perilla para golpeteo contra suelo desnudo o tierra dura. Si intenta liberar hilo en césped alto, el motor puede sobrecalentarse.

Siempre mantenga el hilo de la orilladora completamente extendido. La liberación de hilo se hace más difícil a medida que el hilo de corte se acorta.

ADVERTENCIA

- No retire ni altere el ensamble de hojas de corte de hilo. Un largo excesivo del hilo puede producir el sobrecalentamiento del motor y esto puede dar como resultado lesiones personales graves.

Limpieza de la orilladora después de cada uso

ADVERTENCIA

- Para evitar lesiones personales graves, retire el paquete de baterías de la herramienta antes de realizarle mantenimiento, limpiarla, cambiarle accesorios o retirar materiales de la unidad.
 - a. Limpie el pasto que pueda cubrir el eje del motor o el cabezal de la orilladora.
 - b. Use solo un paño limpio, seco y suave para limpiar la herramienta. No deje que ingresen líquidos a la herramienta ni sumerja las piezas de la herramienta en líquidos.
 - c. Mantenga los conductos de ventilación de la parte posterior del armazón libres de desechos en todo momento.

AVISO: La obstrucción de los conductos de ventilación impide que el aire fluya al armazón del motor, lo cual puede producir el sobrecalentamiento o el daño del motor.

ADVERTENCIA

- No use agua para la limpieza de la orilladora. Evite utilizar solventes para limpiar las piezas de plástico. La mayoría de los plásticos tienden a dañarse con los distintos tipos de solventes comerciales. Utilice paños limpios para eliminar la suciedad, el polvo, el aceite, la grasa, etc.

INSTRUCCIONES DE FUNCIONAMIENTO

7. Reemplazo de hilo

AVISO: Siempre use hilo de corte de nailon torcido triangular de un tamaño que no supere las 0,08 pulgadas (2 mm). El uso de hilos diferentes de los especificados puede ocasionar que la orilladora se sobrecaliente o se dañe.

! ADVERTENCIA

- No use hilo reforzado con metal, alambre ni cuerda, etc. Estos materiales pueden romperse y convertirse en proyectiles peligrosos.

Enrollado del carrete con el hilo nuevo

! ADVERTENCIA

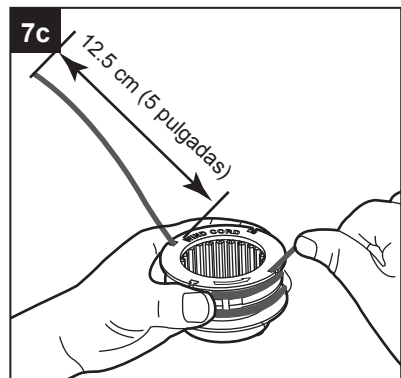
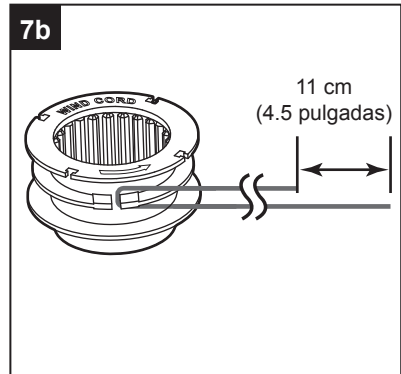
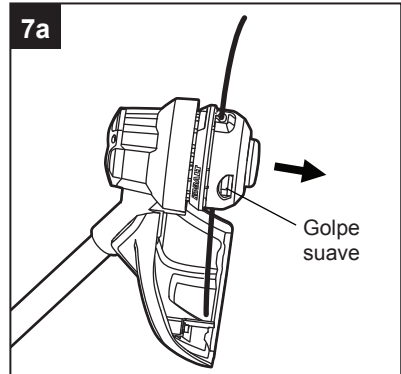
- Para evitar lesiones personales graves, retire el paquete de baterías de la herramienta antes de realizarle mantenimiento, limpiarla, cambiarle accesorios o retirar materiales de la unidad.
- a. Presione las dos lengüetas de liberación en la base del carrete y retire el retenedor del carrete jalándolo hacia afuera (Fig. 7a).
 - b. Retire el carrete. Use un paño limpio para limpiar la superficie interna del retenedor del carrete y la base del carrete.

AVISO: Siempre limpie el retenedor del carrete y la base del carrete antes de volver a ensamblar el cabezal de la orilladora.

- c. Verifique si hay piezas desgastadas en el retenedor del carrete, el carrete o la base del carrete.
- d. Tome aproximadamente 15 pies (4,5 m) de 0,08 pulgadas (2 mm) de diámetro de hilo de corte. Doble el hilo por la mitad y luego ajústelo de manera que un extremo sea 4,5 pulgadas (11 cm) más largo que el otro (Fig. 7b).
- e. Enganche el extremo doblado del hilo de corte en alguna de las ranuras del carrete.
- f. Enrolle el hilo en dos capas uniformes y apretadas sobre el carrete. Enrolle el hilo en la dirección que se indica en el carrete.

AVISO: Si no se enrolla el hilo en la dirección que se indica, el cabezal de la orilladora funcionará incorrectamente.

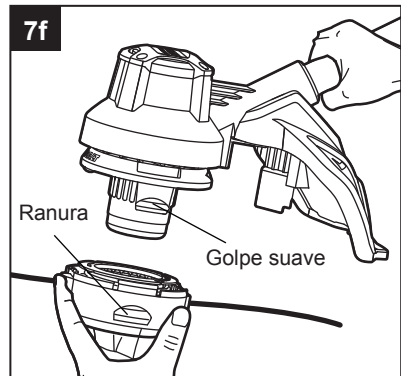
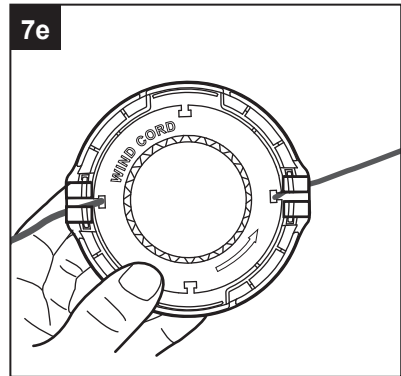
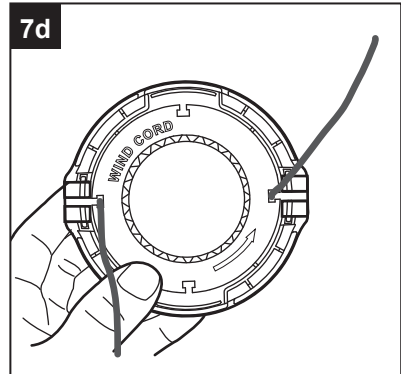
- g. Coloque los extremos del hilo en dos muescas opuestas en el carrete, con partes sobresalientes de aproximadamente 5 pulgadas (12,5 cm) (Fig. 7c).



INSTRUCCIONES DE FUNCIONAMIENTO

- h. Alinee las muescas del carrete de donde sobresalen los hilos con los ojales del retenedor del carrete y ubique el carrete en el retenedor (Fig. 7d).
- i. Sosteniendo el carrete y el retenedor del carrete, sujete un extremo del hilo y jálelo para liberar el hilo de la muesca del ojal (Fig. 7e). Repita la operación con el otro extremo.
- j. Con la base del carrete mirando hacia abajo, alinee las ranuras del retenedor del carrete con las lengüetas de la base del carrete y presione el retenedor de manera uniforme hacia abajo hasta que se fije en su lugar (Fig. 7f).

AVISO: Asegúrese de que las lengüetas de la base del carrete se fijen en su lugar o, de lo contrario, el carrete se saldrá durante el funcionamiento.



CUIDADO Y MANTENIMIENTO



Todas las tareas de mantenimiento deben estar a cargo únicamente de un técnico de servicio calificado.

Antes de limpiar o realizar cualquier mantenimiento, retire la batería de la herramienta. Para un uso seguro y adecuado, siempre mantenga limpias la herramienta y sus ranuras de ventilación.

Limpieza

Use siempre solo un paño suave y seco para limpiar la orilladora; no use detergente ni alcohol. Limpie el pasto que pueda cubrir el eje del motor o el cabezal de la orilladora. Mantenga los conductos de ventilación libres de obstrucciones.

Almacenaje

Limpie completamente la herramienta antes de almacenarla.

Almacene la unidad en un área seca, bien ventilada y cerrada o alta y fuera del alcance de los niños. Mantenga alejado de agentes corrosivos, como productos químicos para jardín y sales descongelantes.

SOLUCIÓN DE PROBLEMAS

ADVERTENCIA:

- Coloque el interruptor en la posición OFF y retire el paquete de baterías de la herramienta antes de realizar cualquier procedimiento de solución de problemas.

PROBLEMA	CAUSA POSIBLE	ACCIÓN CORRECTIVA
La herramienta no funciona.	La capacidad de la batería es baja.	Cargue el paquete de baterías.
La orilladora se detiene mientras se corta.	1. El eje del motor o el cabezal de la orilladora están atascados con césped.	1. Detenga la orilladora, retire las baterías y quite el césped del eje del motor y del cabezal de la orilladora.
	2. El motor está sobrecargado.	2. Mueva el cabezal de la orilladora para cortar el césped no más que 8 pulgadas (200 mm) de largo en un solo corte. Retire el cabezal de la orilladora del césped y reinicie la herramienta.
	3. El paquete de baterías o la orilladora están demasiado calientes.	3. Suelte el interruptor de gatillo, espere que la herramienta se enfríe y luego vuelva a encenderla.
El cabezal de la orilladora no hace avanzar el hilo.	1. El eje del motor o el cabezal de la orilladora están atascados con césped.	1. Detenga la orilladora, retire las baterías y limpie el eje del motor y el cabezal de la orilladora.
	2. No hay suficiente hilo en el carrete.	2. Retire las baterías y reemplace el hilo de corte, para lo cual debe seguir la sección "Reemplazo de hilo" de este manual.

GARANTÍA

Este producto tiene cobertura de garantía contra defectos en materiales y mano de obra por 5 años a partir de la fecha de compra para el comprador original. Esta garantía no cubre daños por el abuso, desgaste normal, mantenimiento inadecuado, negligencia, reparación/ alteración no autorizada ni piezas fungibles y accesorios que se espera que sean inutilizables después de un período de uso razonable. La vigencia de esta garantía se limita a 90 días para el uso comercial y de alquiler.

Si cree que este producto cumple con la garantía mencionada arriba, devuelva el producto al lugar donde lo compró con un comprobante de compra válido y el producto defectuoso se reparará o reemplazará sin cargo. Esta garantía le otorga derechos legales específicos, pero también podría tener otros derechos que varían según el estado.

Impreso en China

