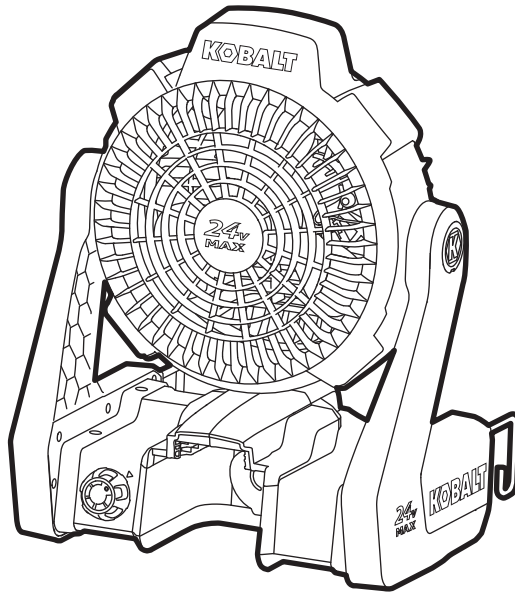


KOBALT™



ITEM #1176102

FAN

MODEL #KJF 124B-03

Español p.15

⚠ WARNING

To reduce the risk of injury, the user must read and understand the Operator's Manual before using this product. Save these instructions for future reference.

ATTACH YOUR RECEIPT HERE

Serial Number _____ Purchase Date _____



Questions, problems, missing parts? Before returning to your retailer, call our customer service department at 1-888-3KOBALT (1-888-356-2258), 8 a.m. - 8 p.m., EST, Monday - Friday.

PH181014

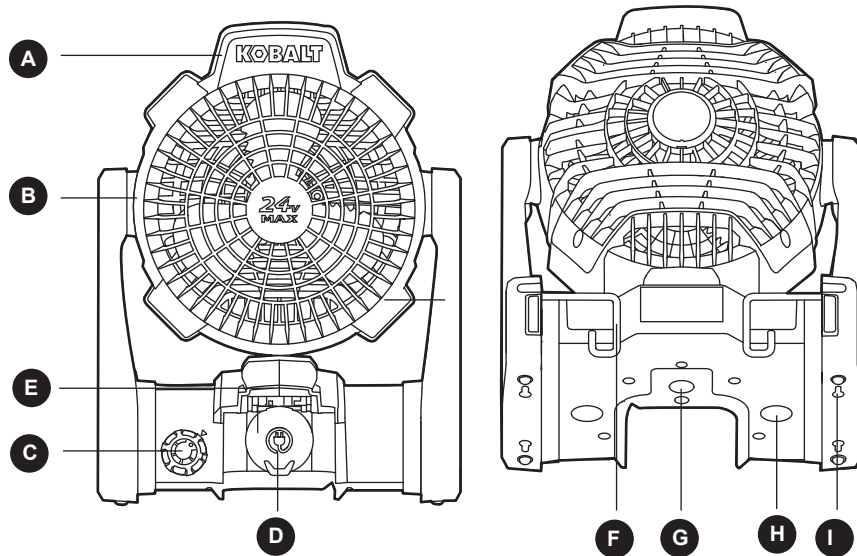
TABLE OF CONTENTS

Product Specifications.....	2
Package Contents.....	3
Safety Information.....	4
Preparation.....	9
Assembly Instructions.....	10
Operating Instructions.....	11
Care and Maintenance.....	14
Troubleshooting.....	14
Warranty.....	14

PRODUCT SPECIFICATIONS

COMPONENT	SPECIFICATION
Rated power input	24V d.c. 100~240V, AC only

PACKAGE CONTENTS



PART	DESCRIPTION
A	Carrying handle
B	Adjustable head
C	Control switch
D	AC receptacle and cover
E	Battery bay

PART	DESCRIPTION
F	Folding hooks (2)
G	Tripod mounting holes (5/8 in. & 1/4 in.)
H	Rod Pockets (2)
I	Key Holes (4)

⚠ WARNING

- Remove the tool from the package and examine it carefully. Inspect the tool carefully to make sure that no breakage or damage occurred during shipping. If any parts are damaged or missing, please return the product to the place of purchase. Do not discard the carton or any packaging material until all parts have been examined.

⚠ WARNING

- If any part of the tool is missing or damaged, do not attach the battery pack or use the tool until the part has been repaired or replaced. Failure to heed this warning could result in serious injury.

SAFETY INFORMATION

Please read and understand this entire manual before attempting to assemble or operate this product. If you have any questions regarding the product, please call customer service at 1-888-3KOBALT, 8 a.m. - 8 p.m., EST, Monday - Friday.

WARNING

- The operation of any power tool can result in foreign objects being thrown into your eyes, which can result in severe eye damage. Before beginning power-tool operation, always wear safety goggles or safety glasses with side shields and a full-face shield, when needed. We recommend using a wide vision safety mask over eyeglasses or standard safety glasses with shields. Always use eye protection marked to comply with ANSI Z87.1.
- This product may contain chemicals, including lead, known to the State of California to cause cancer, birth defects or other reproductive harm. Wash hands after handling.
- Some dust created by power sanding, sawing, grinding, drilling, and other construction activities contains chemicals known to the state of California to cause cancer, birth defects, or other reproductive harm. Some examples of these chemicals are:
 - Lead from lead-based paints.
 - Crystalline silica from bricks, cement, and other masonry products.
 - Arsenic and chromium from chemically-treated lumber.
- Your risk from these exposures varies, depending upon how often you do this type of work. To reduce your exposure to these chemicals:
 - Work in a well-ventilated area.
 - Work with approved safety equipment, such as dust masks that are specially designed to filter out microscopic particles.
 - Avoid prolonged contact with dust from power sanding, sawing, grinding, drilling, and other construction activities. Wear protective clothing and wash exposed areas with soap and water. Allowing dust to get into your mouth or eyes or to lie on the skin may promote absorption of harmful chemicals.

DANGER

People with electronic devices, such as pacemakers, should consult their physician(s) before using this product. Operation of electrical equipment in close proximity to a heart pacemaker could cause interference or failure of the pacemaker.

Know the Tool

To operate this tool, carefully read this manual and all labels affixed to the tool before using it. Keep this manual available for future reference.




Important

This tool should be serviced only by a qualified service technician.

Read All Instructions Thoroughly

SAFETY INFORMATION

Some of the following symbols may be used on this tool. Please study them and their meaning. Proper interpretation of these symbols will allow you to operate the tool better and more safely.

SYMBOL	DEFINITION	SYMBOL	DEFINITION
V	Volts	 or d.c.	Direct Current
AC	Alternating Current		A danger, warning or caution. It means 'Attention! Your safety is involved.'
	WARNING- To reduce the risk of injury, user must read instruction manual.		

General Safety Warnings

When using an electrical appliance, basic precautions should always be followed, including the following:

READ ALL INSTRUCTIONS BEFORE USING THIS PRODUCT!

WARNING

To reduce risk of fire, electric shock, or injury:

- **Know your power fan. Read the instruction manual carefully. Learn the fan's applications and limitations, as well as the specific potential hazards related to this fan. Following this rule will reduce the risk of electric shock, fire, or serious injury.**

Work Area Safety

- **Keep work area clean and well lit.** Cluttered or dark areas invite accidents.
- **Do not operate fan in explosive atmospheres, such as in the presence of flammable liquids, gases or dust.** Power tools create sparks, which may ignite the dust or fumes.
- **Keep children and bystanders away while operating a power tool.** Distractions can cause you to lose control.

Electrical Safety

- **Avoid body contact with earthed or grounded surfaces such as pipes, radiators, ranges and refrigerators.** There is an increased risk of electric shock if your body is earthed or grounded. Wear electrically insulated footwear, such as rubber boots, when vacuuming wet material.
- **Do not expose appliance to rain or wet conditions.** Water entering an appliance will increase the risk of electric shock.

SAFETY INFORMATION

Personal Safety

- **Stay alert, watch what you are doing and use common sense when operating appliance. Do not use the appliance while tired, upset, or under the influence of drugs, alcohol, or medication.** A moment of inattention while operating appliance may result in serious personal injury.
- **Use personal protective equipment. Always wear eye protection.** Protective equipment such as a dust mask, non-skid safety shoes, hard hat or hearing protection used for appropriate conditions will reduce personal injuries.
- **Prevent unintentional starting. Ensure the switch is in the off-position before connecting to battery pack, picking up or carrying the appliance.** Carrying appliance with your finger on the switch or energizing appliance that have the switch on invites accidents.
- **Remove any adjusting key or wrench before turning the appliance on.** A wrench or a key left attached to a rotating part of the appliance may result in personal injury.
- **Do not overreach. Keep proper footing and balance at all times.** This enables better control of the power tool in unexpected situations.
- **Dress properly. Do not wear loose clothing or jewelry. Keep your hair and clothing away from moving parts.** Loose clothes, jewelry or long hair can be caught in moving parts.
- **If devices are provided for the connection of dust extraction and collection facilities, ensure that these are connected and properly used.** Use of dust collection can reduce dust-related hazards.
- **Do not let familiarity gained from frequent use of tools allow you to become complacent and ignore tool safety principles.** A careless action can cause severe injury within a fraction of a second.

Use and Care

- **Do not force the power tool. Use the correct appliance for your application.** The correct appliance will do the job better and safer at the rate for which it was designed.
- **Do not use the appliance if the switch does not turn it on and off.** Any appliance that cannot be controlled with the switch is dangerous and must be repaired.
- **Disconnect the battery pack from the appliance before making any adjustments, changing accessories, or storing appliance.** Such preventive safety measures reduce the risk of starting the appliance accidentally.
- **Store idle appliance out of the reach of children and do not allow persons unfamiliar with the appliance or these instructions to operate the appliance.** Appliances are dangerous in the hands of untrained users.
- **Maintain appliance and accessories. Check for misalignment or binding of moving parts, breakage of parts and any other condition that may affect the appliance's operation. If damaged, have the appliance repaired before use.** Many accidents are caused by poorly maintained appliance.
- **Use the appliance and accessories etc. in accordance with these instructions, taking into account the working conditions and the work to be performed.** Use of the appliance for operations different from those intended could result in a hazardous situation.
- **Keep handles and grasping surfaces dry, clean and free from oil and grease.** Slippery handles and grasping surfaces do not allow for safe handling and control of the appliance in unexpected situations.

SAFETY INFORMATION

Battery Pack Use and Care

- **Recharge only with the charger specified by the manufacturer.** A charger that is suitable for one type of battery pack may create a risk of fire when used with another battery pack.
- **Use appliance only with specifically designated battery packs.** Use of any other battery packs may create a risk of injury and fire.
- **Use only with battery packs and chargers listed below.**

BATTERY PACK	CHARGER
KB 124-03; KB224-03; KB 424-03; KB 524-03; KB 624-03; KB 924-03	KRC 2445-03; KRC 2490-03

- **When battery pack is not in use, keep it away from other metal objects like paper clips, coins, keys, nails, screws, or other small metal objects that can make a connection from one terminal to another.** Shorting the battery terminals together may cause burns or a fire.
- **Under abusive conditions, liquid may be ejected from the battery; avoid contact. If contact accidentally occurs, flush with water. If liquid contacts eyes, additionally seek medical help.** Liquid ejected from the battery may cause irritation or burns.
- **Do not use a battery pack or appliance that is damaged or modified.** Damaged or modified batteries may exhibit unpredictable behavior resulting in fire, explosion or risk of injury.
- **Do not expose a battery pack or appliance to fire or excessive temperature.** Exposure to fire or temperature above 130 °C may cause explosion.
- **Follow all charging instructions and do not charge the battery pack or appliance outside the temperature range specified in the instructions.** Charging improperly or at temperatures outside the specified range may damage the battery and increase the risk of fire.

Service

- **Have your appliance serviced by a qualified repair person using only identical replacement parts.** This will ensure that the safety of the power tool is maintained.
- **Do not modify or attempt to repair the appliance or the battery pack except as indicated in the instructions for use and care.**

Additional Safety Warnings

- **Indoor use only.**
- **Do not allow the appliance to be used as a toy.** Close attention is necessary when used by or near children.
- **Use only as described in this manual. Use only manufacturer's recommended attachments.**
- **Do not handle the charger, including charger plug, or charger terminals with wet hands.**
- **Do not put any object into any openings. Do not use with any opening blocked; keep openings free of dust, lint, hair, and anything that may reduce air flow.**
- **Keep hair, loose clothing, fingers, and all parts of body away from openings and moving parts.** Loose clothes, jewelry, or long hair can be drawn into air vents.
- **Do not charge the battery pack outdoors.**
- **Do not incinerate the appliance even if it is severely damaged. The batteries can explode in a fire.**

⚠ SAFETY INFORMATION

- **Do not leave the appliance unattended when the battery is inserted.** Remove the battery when the fan is not in use and before servicing.
- **Keep the appliance and its handle dry, clean and free from oil and grease. Always use a clean cloth when cleaning. Never use brake fluids, gasoline, petroleum-based products, or any strong solvents to clean your fan.** Following this rule will reduce the risk of loss of control and deterioration of the enclosure plastic.
- **Batteries can explode in the presence of a source of ignition, such as a pilot light. To reduce the risk of serious personal injury, never use any cordless product in the presence of open flame. An exploded battery can propel debris and chemicals.** If exposed, flush with water immediately.
- **Save these instructions.** Refer to them frequently and use them to instruct others who may use this tool. If you loan this tool to someone else, also loan these instructions to them to prevent misuse of the product and possible injury.

Extension Cords

- Double insulated tools can use either a two or three wire extension cord. As the distance from the supply outlet increases, you must use a heavier gauge extension cord. Using extension cords with inadequately sized wire causes a serious drop in voltage, resulting in loss of power and possible tool damage. Be sure to use an extension cord that has the capacity to handle the current the product will draw. Refer to the table shown to determine the required minimum wire size.
- This product should be connected to a power supply that is 120~240 volts, AC only (normal household current). Do not operate this product on direct current (DC) through the power cord.
- If you are using an extension cord outdoors, be sure it is marked with the suffix “W-A” (“W” in Canada) to indicate that it is acceptable for outdoor use.
- Be sure your extension cord is properly wired and in good electrical condition. Always replace a damaged extension cord or have it repaired by a qualified person before using it.
- Protect your extension cords from sharp objects, excessive heat and damp or wet areas.
- Unplug all cords during lightning storms or when unused for long periods of time.

Recommended Min. Wire Gauge for Extension Cords*

AMPERES RATING	TOTAL LENGTH OF CORD IN FEET		
	25 ft.	50 ft.	100 ft.
	AWG		
0-2.0	16	16	16
2.1-3.4	16	16	14
3.5-5.0	16	16	14
5.1-7.0	16	14	12
7.1-12.0	14	14	10
12.1-16.0	14	12	NOT RECOMMENDED

SAFETY INFORMATION

FCC Statement

- This device complies with Part 15 of the FCC Rules. Operation is subject to the following two conditions:
 - This device may not cause harmful interference.
 - This device must accept any interference received, including interference that may cause undesired operation.
- Changes or modifications not expressly approved by the party responsible for compliance could void the user's authority to operate the equipment.

NOTICE: This equipment has been tested and found to comply with the limits for a Class B digital device, pursuant to Part 15 of the FCC Rules. These limits are designed to provide reasonable protection against harmful interference in a residential installation. This equipment generates, uses, and can radiate radio frequency energy and, if not installed and used in accordance with the instructions, may cause harmful interference to radio communications. However, there is no guarantee that interference will not occur in a particular installation. If this equipment does cause harmful interference to radio or television reception, which can be determined by turning the equipment off and on, the user is encouraged to try to correct the interference by one or more of the following measures: Reorient or relocate the receiving antenna. Increase the separation between the equipment and receiver. Connect the equipment into an outlet on a circuit different from that to which the receiver is connected. Consult the dealer or an experienced radio/TV technician for help.

SAVE THESE INSTRUCTIONS!

PREPARATION

Know Your Fan

This fan can be used for general ventilation for indoor spaces. Before attempting to use the fan, familiarize yourself with all of its operating features and safety requirements.

WARNING

Do not allow familiarity with the appliance to cause carelessness. Remember that one careless moment is enough to cause severe injury.

WARNING

Do not attempt to modify this appliance or create accessories not recommended for use with this appliance. Any such alteration or modification is misuse and could result in a hazardous condition leading to possibly serious personal injury.

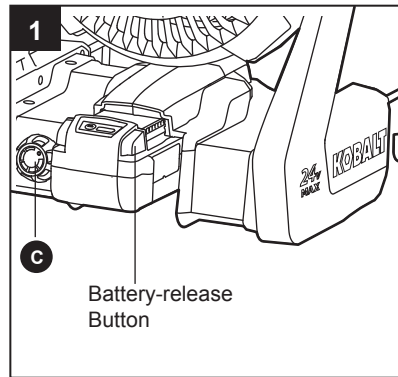
ASSEMBLY INSTRUCTIONS

1. Install/Remove Battery Pack

To Attach Battery Pack

- Make sure that the control switch (C) is in the OFF position.
- Align the raised portion on the battery pack with the grooves on the bottom of the tool, and then slide the battery pack onto the tool as shown.
- Ensure that the battery-release buttons on the battery pack snap into place and the battery pack is secured to the tool before beginning operation.

NOTICE: When placing the battery pack on the tool, be sure that the raised rib on the battery pack aligns with the groove on the tool and the latches snap into place properly. Improper assembly of the battery pack can cause damage to internal components.



To Detach Battery Pack

- Make sure that the control switch (C) is in the OFF position.
- Press the battery-release buttons to release the battery pack.
- Pull backward on the battery pack to remove it from the tool.

⚠ WARNING

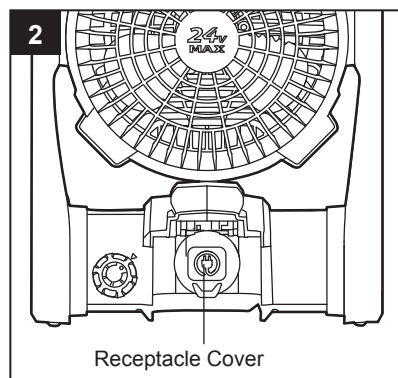
- Battery tools are always in operating condition. Therefore, the on/off switch should always be in the OFF position when the tool is not in use or when carrying the tool at your side.

Battery Pack Protection

To protect the life of the battery pack, the fan will shut off when the battery's charge becomes too low. If this happens, remove the battery pack and charge it according to the charger's instructions.

2. Installing/Removing Power Cord for use with AC Power

- Open the receptacle cover
- Turn the control switch (C) to the OFF position.
- Open the receptacle cover.
- Insert the cylindrical end of the power cord into the receptacle (D), as shown.
- Connect the power cord plug to the AC power source.
- Make sure that the power cord is secured before beginning operation.



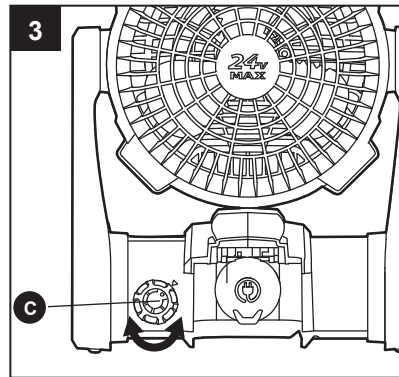
OPERATING INSTRUCTIONS

3. To Start/Stop the Fan

- Connect the portable fan to a power cord or to an approved battery pack.
- Turn the control switch (C) clockwise to turn the portable fan ON and to adjust the fan speed.
- To stop the portable fan, turn the control knob counterclockwise to the OFF position.

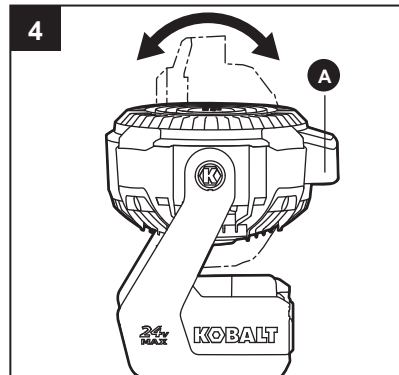
Changing Fan Speed

- For low speeds, rotate the control switch (C) clockwise.
- For high speeds, rotate the control switch counterclockwise.



4. Adjusting Fan Angle

To adjust the fan angle, grasp fan by the carrying handle (A) and tilt fan head forward or backward. The fan can pivot forward within a range of 50°, the fan can pivot backward within a range of 130°.



OPERATING INSTRUCTIONS

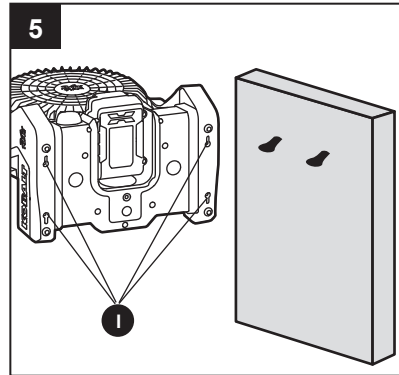
5. Hanging/Mounting the Fan

Your fan has a variety of hanging options. Choose the option that is best suited for your location.

NOTE: The portable fan can be hung in a vertical or horizontal position. Be careful not to hang the fan in such a way that it prevents normal fan operation or damages the cord.

Hanging the fan using the key hole:

- a. Place the wide portion of at least two of the key holes (I) over the heads of a screws.
- b. Slide the portable fan down until the screws are inside the narrow portion of the key hole and the fan is secure.

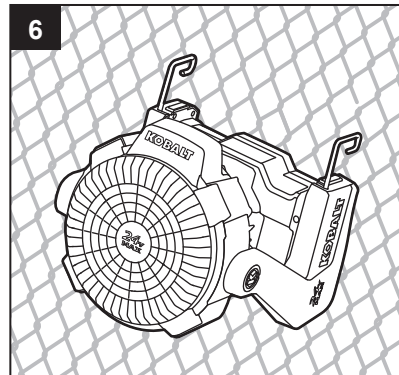


Hanging the fan using the hooks:

- a. Pull the hooks (F) completely out of their slots and rotate them as needed.

NOTE: Hooks will not rotate until they are fully extended.

- b. Hang the fan from a sturdy location.



OPERATING INSTRUCTIONS

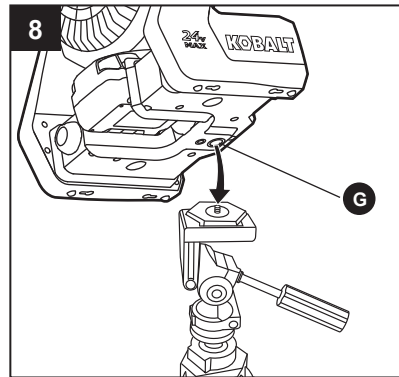
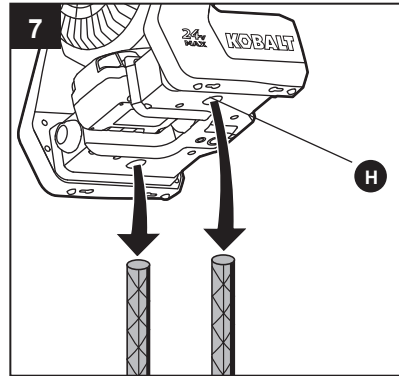
Mounting the fan to rods using the rod pockets:

The fan can be mounted to secured rods, tubes, or rebar using the two rod pockets (H) on the base of the fan.

NOTE: The mounting posts must have a diameter between 0.5 and 0.7 inches. Align the rod pockets with the rods and slide the fan down onto the rods.

Mounting the fan to a tripod using a tripod mounting hole:

- a. Place the fan on the tripod mounting screws (5/8 inch or 1/4 inch). Make sure the mounting hole (G) on the base of the fan seats completely onto the mounting screw.
- b. Turn the fan clockwise to secure it to the tripod.



CARE AND MAINTENANCE

 All maintenance should only be carried out by a qualified service technician.

WARNING

- Before cleaning or performing any maintenance, remove the battery from the tool. Never disassemble the tool, battery pack or charger. For safe and proper operation, always keep the tool and its ventilation slots clean.

WARNING

- To reduce the risk of personal injury and damage, never immerse your tool, battery pack or charger in liquid or allow a liquid to flow inside them.

Cleaning

Always use only a soft, dry cloth to clean your vacuum; never use detergent or alcohol.

TROUBLESHOOTING

WARNING

- Turn the switch to the “OFF” position, and remove battery from the tool before performing troubleshooting procedures.

PROBLEM	POSSIBLE CAUSE	CORRECTIVE ACTION
Tool does not work.	<ol style="list-style-type: none">1. Low battery capacity.2. The battery pack or fan is too hot.3. The cylindrical end of the power cord was not connected to the receptacle securely.	<ol style="list-style-type: none">1. Charge the battery pack.2. Turn off the fan and allow the fan and battery pack to cool.3. Check and connect them again securely.

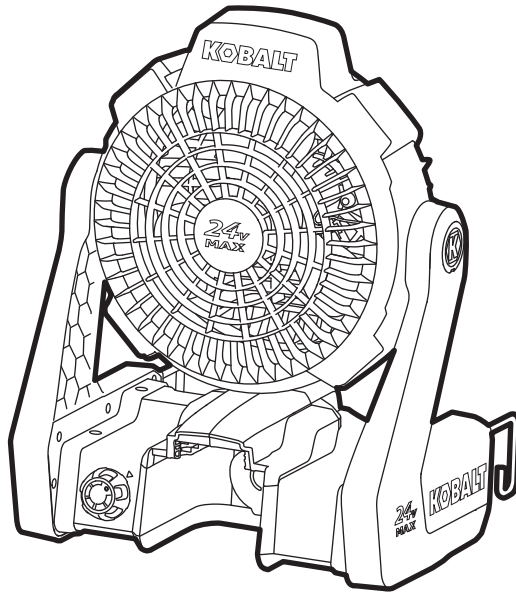
WARRANTY

For 5 years from the date of purchase, the power tool is warranted for the original purchaser to be free from defects in material and workmanship. This guarantee does not cover damage due to abuse, normal wear, improper maintenance, neglect, unauthorized repair/alteration, or expendable parts and accessories expected to become unusable after a reasonable period of use.

If you think your product meets the above guarantee criteria, please return it to the place of purchase with valid proof of purchase and the defective product will be repaired or replaced at no charge. This guarantee gives you specific legal rights, and you may also have other rights that vary from state to state.

Printed in China

KOBALT™



ARTÍCULO #1176102

VENTILADOR

MODELO #KJF 124B-03

ADVERTENCIA

Para reducir el riesgo de lesiones, el usuario debe leer y comprender el Manual del usuario antes de usar este producto. Guarde estas instrucciones para consultarlas para referencia futura.

ADJUNTE SU RECIBO AQUÍ

Número de serie _____ Fecha de compra _____



¿Preguntas, problemas, piezas faltantes? Antes de volver a la tienda, llame a nuestro Departamento de Servicio al Cliente al 1-888-3KOBALT (1-888-356-2258), de lunes a viernes de 8 a.m. a 8 p.m., hora estándar del Este.

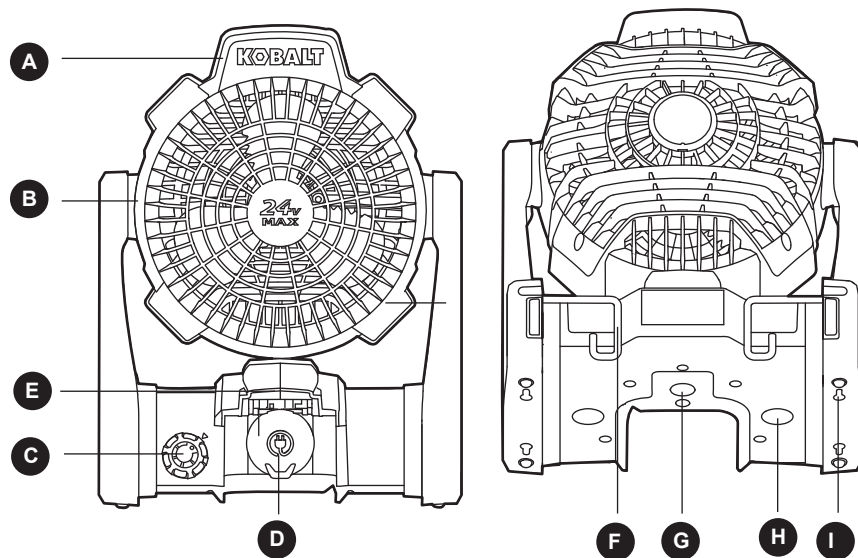
ÍNDICE

Especificaciones del producto.....	16
Contenido del paquete	17
Información de seguridad.....	18
Preparación.....	24
Instrucciones de ensamblaje.....	25
Instrucciones de funcionamiento.....	26
Cuidado y mantenimiento	29
Solución de problemas.....	29
Garantía	30

ESPECIFICACIONES DEL PRODUCTO

COMPONENTE	ESPECIFICACIONES
Entrada de alimentación calificada	24V CC 100 V ~ 240 V, CA únicamente

CONTENIDO DEL PAQUETE



PIEZA	DESCRIPCIÓN
A	Mango de transporte
B	Cabezal ajustable
C	Interruptor de control
D	Tomacorriente de CA y cubierta
E	Puerto de la batería

PIEZA	DESCRIPCIÓN
F	Ganchos plegables (2)
G	Orificios de montaje para trípodes (15,87 mm y 6,35 mm)
H	Correderas de las varillas (2)
I	Orificios con forma de cerradura (4)

⚠ ADVERTENCIA

- Retire la herramienta del paquete y examínela cuidadosamente. Inspeccione cuidadosamente la herramienta para asegurarse de que no se haya producido ninguna ruptura o daño durante su envío. Si hay piezas faltantes o dañadas, devuelva este producto al lugar donde lo compró. No deseche la caja ni ningún material de embalaje hasta después de examinar todas las piezas.

⚠ ADVERTENCIA

- Si falta alguna pieza o si alguna pieza está dañada, no fije el paquete de baterías ni use la herramienta hasta reparar o reemplazar la pieza. No seguir esta advertencia podría provocar lesiones graves.

INFORMACIÓN DE SEGURIDAD

Lea y comprenda todo este manual antes de intentar ensamblar u operar este producto. Si tiene preguntas relacionadas con el producto, llame al Departamento de Servicio al Cliente al 1-888-3KOBALT, de lunes a viernes de 8 a.m. a 8 p.m., hora estándar del Este.

ADVERTENCIA

- Durante el funcionamiento de cualquier herramienta eléctrica, pueden entrar objetos extraños a los ojos y causar graves daños oculares. Use siempre lentes o gafas de seguridad con protecciones laterales y, cuando sea necesario, una mascarilla que cubra todo el rostro antes de comenzar a operar una herramienta eléctrica. Recomendamos usar una máscara de seguridad de visión amplia sobre los lentes o gafas de seguridad con protecciones estándar. Siempre use lentes de protección que cumplan con la norma ANSI Z87.1.
- Este producto puede contener productos químicos, incluido plomo, reconocidas por el estado de California como causantes de cáncer, defectos congénitos u otros daños en el aparato reproductivo. Lávese las manos después de manipularlo.
- Parte del polvo causado por el lijado eléctrico, el serruchado, la trituración, la perforación y otras actividades de construcción contiene productos químicos que, según el estado de California, causan cáncer, defectos congénitos u otros daños reproductivos. Algunos ejemplos de estos productos químicos son los siguientes:
 - Plomo de pinturas a base de plomo
 - Sílice cristalina de ladrillos, cemento y otros productos de mampostería
 - Arsénico y cromo de madera tratada con químicos
- El riesgo que corre debido a la exposición a estos químicos varía dependiendo de la frecuencia con que realiza este tipo de trabajo. Para reducir la exposición a estos productos químicos:
 - Trabaje en un área bien ventilada.
 - Trabaje con equipo de seguridad aprobado, como las mascarillas antipolvo especialmente diseñadas para filtrar partículas microscópicas.
 - Evite el contacto prolongado con el polvo producido por el uso de lijas, sierras, trituradoras, taladros eléctricos y otras actividades de construcción. Use ropa protectora y lave todas las áreas expuestas del cuerpo con agua y jabón. Si permite que el polvo llegue a su boca o a sus ojos, o que repose sobre la piel, esto puede fomentar la absorción de productos químicos dañinos.

PELIGRO

Las personas con dispositivos electrónicos, como marcapasos, deben consultar a su médico antes de usar este producto. El funcionamiento del equipo eléctrico en proximidad de un marcapasos cardíaco puede causar interferencias o hacer que el marcapasos falle.

Conozca la herramienta

Para operar esta herramienta, lea cuidadosamente este manual y las etiquetas fijadas a la herramienta antes de usarla. Guarde este manual para referencia futura.




Importante

Solo un técnico calificado puede reparar esta herramienta.

Lea por completo todas las instrucciones

INFORMACIÓN DE SEGURIDAD

Algunos de los siguientes símbolos pueden aparecer en esta herramienta. Obsérvelos y aprenda su significado. La interpretación correcta de estos símbolos le permitirá utilizar la herramienta de manera más eficaz y segura.

SÍMBOLO	DEFINICIÓN	SÍMBOLO	DEFINICIÓN
V	Voltios	 O CC	Corriente continua
CA	Corriente alterna		Peligro, advertencia o precaución. Significa: "¡atención! Su seguridad está comprometida".
	ADVERTENCIA: para reducir el riesgo de lesiones, el usuario debe leer el manual de instrucciones.		

Advertencias generales de seguridad

Cuando use electrodomésticos, siempre debe tomar las medidas de precaución básicas, incluidas las siguientes:

LEA LAS INSTRUCCIONES ANTES DE UTILIZAR EL PRODUCTO.

ADVERTENCIA

Para disminuir el riesgo de incendio, descargas eléctricas o lesiones:

- **Conozca su ventilador eléctrico. Lea atentamente el manual de instrucciones. Conozca las aplicaciones y las limitaciones del ventilador, así como también los posibles peligros específicos relacionados con este ventilador. Al seguir esta norma se disminuirá el riesgo de descargas eléctricas, incendios o lesiones graves.**

Seguridad en el área de trabajo

- **Mantenga el área de trabajo limpia y bien iluminada.** Las áreas oscuras o desordenadas propician los accidentes.
- **No utilice el ventilador en atmósferas en las que exista riesgo de explosión, como por ejemplo en presencia de líquidos inflamables, gases o polvo.** Las herramientas eléctricas producen chispas que podrían encender el polvo o humo.
- **Mantenga a los niños y otras personas alejadas durante la operación de una herramienta eléctrica.** Las distracciones pueden provocar que pierda el control.

Seguridad eléctrica

- **Evite el contacto del cuerpo con superficies conectadas a tierra, como tuberías, radiadores, extractores o refrigeradores.** También puede sufrir una descarga eléctrica si su cuerpo tiene conexión a tierra. Cuando aspire materiales húmedos, use calzado con aislamiento eléctrico, como botas de goma.
- **No exponga el electrodoméstico a la lluvia o a condiciones de humedad.** Si ingresa agua en un electrodoméstico, aumentará el riesgo de una descarga eléctrica.

INFORMACIÓN DE SEGURIDAD

Seguridad personal

- **Manténgase alerta, observe lo que hace y actúe con sentido común mientras utiliza un electrodoméstico. No utilice el electrodoméstico si está cansado, molesto o bajo la influencia de drogas, alcohol o medicamentos.** Un momento de desatención mientras opera un electrodoméstico puede provocar lesiones personales graves.
- **Use un equipo de protección personal. Use siempre lentes de protección.** Los equipos de protección, como mascarillas antipolvo, zapatos de seguridad antideslizantes, cascos protectores o protección auditiva, utilizados para las condiciones adecuadas, disminuyen el riesgo de lesiones personales.
- **Evite un arranque accidental. Asegúrese de que el interruptor esté en la posición de apagado antes de conectar la fuente o el paquete de baterías, levantar o transportar el electrodoméstico.** Transportar el electrodoméstico con el dedo en el interruptor o enchufar herramientas eléctricas que tienen el interruptor en la posición de encendido aumentan las posibilidades de accidentes.
- **Retire todas las llaves de ajuste antes de encender el electrodoméstico.** Si se deja una llave conectada a una pieza giratoria del electrodoméstico, se podrían producir lesiones personales.
- **No se incline ni extienda demasiado. Mantenga una postura y un equilibrio adecuados en todo momento.** Esto permite un mejor control de la herramienta eléctrica en situaciones inesperadas.
- **Use ropa adecuada. No use ropa holgada ni joyas. Mantenga el cabello y la ropa alejados de las piezas en movimiento.** La ropa holgada, las joyas o el cabello largo pueden quedar atrapados en las piezas en movimiento.
- **Si se proporcionan dispositivos para la conexión de equipos de extracción y recolección de polvo, asegúrese de que se conecten y se usen debidamente.** La recolección de polvo puede disminuir los peligros relacionados con el polvo.
- **No permita que la familiaridad del uso frecuente de herramientas lo haga ignorar los principios de seguridad en el manejo de herramientas.** Un descuido puede ocasionar una lesión grave en cuestión de segundos.

Uso y cuidado

- **No fuerce la herramienta eléctrica. Utilice el electrodoméstico adecuado para su aplicación.** El electrodoméstico adecuado realizará un trabajo más seguro y de mejor calidad al ritmo para el que se diseñó.
- **No utilice el electrodoméstico si este no se enciende o apaga con el interruptor.** Cualquier electrodoméstico que no pueda controlarse con el interruptor es peligroso y debe repararse.
- **Desconecte el paquete de baterías del electrodoméstico antes de realizarle cualquier ajuste, cambiar accesorios o almacenarlo.** Este tipo de medidas de seguridad preventivas reduce el riesgo de arranques accidentales del electrodoméstico.
- **Cuando el electrodoméstico no esté en uso, guárdelo fuera del alcance de los niños y no permita que lo operen personas no familiarizadas con el electrodoméstico o estas instrucciones.** Los electrodomésticos son peligrosos en manos de usuarios sin capacitación.
- **Realice un mantenimiento del electrodoméstico y los accesorios. Verifique que no haya piezas móviles mal alineadas o trabadas, piezas rotas ni cualquier otra condición que pueda afectar el funcionamiento del electrodoméstico. Si se daña, haga reparar el electrodoméstico antes de usarlo.** Muchos accidentes son producto del mal mantenimiento de los electrodomésticos.

! INFORMACIÓN DE SEGURIDAD

- **Use el electrodoméstico y los accesorios de acuerdo con estas instrucciones, según las condiciones de trabajo y el trabajo que desea realizar.** El uso del electrodoméstico en operaciones distintas para las que se diseñó podría crear una situación de peligro.
- **Mantenga los mangos y las superficies de agarre secas, limpias y libres de aceite y grasa.** Los mangos y superficies de agarre húmedos no permiten una manipulación segura ni controlar el electrodoméstico en situaciones inesperadas.

Uso y cuidado del paquete de baterías

- **Recargue la herramienta únicamente con el cargador especificado por el fabricante.** Un cargador adecuado para un tipo de paquete de baterías puede crear un riesgo de incendio cuando se usa con otro paquete de baterías.
- **Use el electrodoméstico solo con paquetes de baterías designados específicamente.** Utilizar cualquier otro paquete de baterías puede crear un riesgo de lesión e incendio.
- **Solo debe usar los paquetes de baterías y los cargadores que se indican a continuación.**

PAQUETE DE BATERÍAS	CARGADOR
KB 124-03; KB224-03; KB 424-03; KB 524-03; KB 624-03; KB 924-03	KRC 2445-03; KRC 2490-03

- **Cuando el paquete de baterías no está en uso, aléjelo de objetos metálicos, como sujetapapeles, monedas, llaves, clavos, tornillos u otros objetos metálicos pequeños que pudieran crear una conexión entre los terminales.** Es posible que conectar los terminales de la batería entre sí produzca quemaduras o un incendio.
- **En condiciones de maltrato, es posible que salga líquido de la batería; evite el contacto. Si se produce un contacto accidental, enjuague con agua. Si el líquido entra en contacto con los ojos, solicite atención médica.** El líquido que sale de la batería puede provocar irritación o quemaduras.
- **No utilice un paquete de baterías ni el electrodoméstico si están dañados o modificados.** Las baterías dañadas o modificadas pueden mostrar una conducta impredecible que podría provocar incendios, explosiones o riesgo de lesiones.
- **No exponga el paquete de baterías ni el electrodoméstico al fuego o a una temperatura excesiva.** La exposición al fuego o a las temperaturas por encima de los 130°C puede causar explosión.
- **Siga todas las instrucciones de carga y no cargue el paquete de baterías ni el electrodoméstico fuera del rango de temperatura especificado en las instrucciones.** La carga inadecuada o a temperaturas fuera del rango especificado podría dañar la batería y aumentar el riesgo de incendio.

Reparación

- **Pida solo a personas capacitadas que reparen el electrodoméstico y que usen exclusivamente piezas de repuesto idénticas.** De esta forma se asegurará de que se mantenga la seguridad de la herramienta eléctrica.
- **No modifique ni intente reparar el electrodoméstico o el paquete de baterías, excepto como se indica en las instrucciones de uso y cuidado.**

Advertencias de seguridad adicionales

- **Solo para uso en interiores.**
- **No permita que el electrodoméstico se use como un juguete.** Es necesaria una estricta supervisión cuando los niños lo utilicen o estén cerca.

INFORMACIÓN DE SEGURIDAD

- Use este soplador únicamente como se describe en este manual. Use solo los accesorios recomendados por el fabricante.
- No manipule el cargador, el enchufe ni los terminales del cargador con las manos húmedas.
- No coloque ningún objeto en las aberturas. No lo utilice si hay aberturas bloqueadas. Mantenga las aberturas libres de polvo, pelusas, cabellos o cualquier objeto que pueda reducir el flujo de aire.
- Mantenga el cabello, las ropas holgadas, los dedos y todas las partes del cuerpo lejos de las aberturas y piezas en movimiento. La ropa suelta, las joyas o el cabello largo pueden atascarse en los orificios de ventilación.
- No cargue el paquete de baterías en exteriores.
- No incinere el electrodoméstico, incluso si está muy dañado. Las baterías pueden explotar si se incineran.
- No deje el electrodoméstico sin supervisión cuando las baterías están insertadas. Retire la batería cuando el ventilador no está en uso y antes de realizarle mantenimiento.
- Mantenga el electrodoméstico y su mango secos, limpios y sin aceite ni grasa. Siempre utilice un paño limpio para limpiar el producto. Nunca utilice líquidos para frenos, gasolina, productos a base de petróleo ni cualquier solvente fuerte para limpiar el ventilador. Al seguir esta norma se disminuirá el riesgo de pérdida de control y deterioro de la estructura exterior de plástico.
- Las baterías pueden explotar en presencia de una fuente de ignición, como una llama piloto. Para reducir el riesgo de lesiones personales graves, nunca utilice un producto inalámbrico en la presencia de una llama abierta. La explosión de una batería puede lanzar desechos y productos químicos. Si se expone, enjuague inmediatamente con agua.
- **Guarde estas instrucciones.** Consúltelas periódicamente y utilícelas para instruir a otras personas que puedan utilizar esta herramienta. Si presta la herramienta a alguien más, préstele también estas instrucciones para prevenir el mal uso del producto y posibles lesiones.

Extensiones eléctricas

- Las herramientas con doble aislamiento se pueden utilizar con una extensión eléctrica de dos o tres conductores. A medida que la distancia del tomacorriente de suministro aumenta, debe usar una extensión eléctrica de mayor calibre. El uso de extensiones eléctricas con conductores de un tamaño incorrecto causa bajas en el voltaje, esto genera una pérdida de potencia y posiblemente daños en la herramienta. Asegúrese de usar una extensión eléctrica que soporte la corriente que usará la herramienta. Consulte la tabla que se muestra para determinar el tamaño mínimo requerido del conductor.
- Se debe conectar este producto a un suministro de electricidad únicamente de 120 a 240 voltios, de CA (corriente doméstica normal). No opere este producto con corriente continua (CC) por el cable de alimentación.
- Si desea utilizar una extensión eléctrica en exteriores, asegúrese de que tenga el sufijo "W-A" ("W" en Canadá), que indica que es adecuado para uso en exteriores.
- Asegúrese de que la extensión eléctrica esté conectada correctamente y en buenas condiciones eléctricas. Reemplace siempre una extensión eléctrica que esté dañada o pídale a una persona calificada que la repare antes de utilizarla.
- Mantenga las extensiones eléctricas lejos de objetos filosos, calor excesivo y áreas húmedas o mojadas.
- Desenchufe todas las extensiones durante tormentas eléctricas o cuando no lo use por períodos prolongados.

INFORMACIÓN DE SEGURIDAD

Calibre de conductor mín. recomendado para extensiones eléctricas*

AMPERAJE	LARGO TOTAL DEL CABLE EN METROS		
	7,62 m	15,24 m	30,48 m
	AWG		
0-2,0	16	16	16
2,1-3,4	16	16	14
3,5-5,0	16	16	14
5,1-7,0	16	14	12
7,1-12,0	14	14	10
12,1-16,0	14	12	NO RECOMENDADO

Declaración de la FCC

- Este dispositivo cumple con la Sección 15 de las reglas de la FCC. El funcionamiento está sujeto a las dos condiciones siguientes:
 - Este dispositivo no debe causar interferencia perjudicial.
 - Este dispositivo deberá aceptar cualquier interferencia recibida, inclusive la interferencia que pudiese causar la operación no deseada.
- Los cambios o modificaciones que no estén expresamente aprobados por la parte responsable del cumplimiento podrían anular la autorización del usuario para utilizar el equipo.

AVISO: se ha probado y verificado que este equipo cumple con los límites para un dispositivo digital clase B, conforme a la sección 15 de las reglas de la FCC. Estos límites están diseñados para proporcionar protección razonable contra interferencias perjudiciales en una instalación residencial. Este equipo genera, utiliza y puede irradiar energía de radiofrecuencia y, si no se instala y usa de acuerdo con las instrucciones, puede causar interferencia perjudicial a las comunicaciones de radio. Sin embargo, no se garantiza que no se producirán interferencias en una instalación en especial. Si este equipo causa interferencia perjudicial a la recepción de radio o televisión, lo que se puede determinar al encender y apagar el equipo, se recomienda al usuario que intente corregir la interferencia con una o más de las siguientes medidas: reorientar o reubicar la antena de recepción. Aumente la separación entre el equipo y el receptor. Conecte el equipo a un tomacorriente de un circuito distinto al que usa el receptor. Solicite ayuda al distribuidor o a un técnico con experiencia en radio o televisión.

GUARDE ESTAS INSTRUCCIONES.

PREPARACIÓN

Conozca su ventilador.

Este ventilador puede usarse para ventilación general de espacios interiores. Antes de intentar usar el ventilador, familiarícese con todas sus características de operación y requisitos de seguridad.



ADVERTENCIA

No permita que la familiaridad con el electrodoméstico lo vuelva descuidado. Recuerde que un momento de descuido es suficiente para causar lesiones graves.



ADVERTENCIA

No intente modificar este electrodoméstico ni crear accesorios que no sean recomendados para utilizar con este producto. Cualquier alteración o modificación es considerada un mal uso y podría causar una condición peligrosa que podría producir lesiones personales graves.

INSTRUCCIONES DE ENSAMBLAJE

1. Cómo instalar/retirar el paquete de baterías

Para fijar el paquete de baterías

- Asegúrese de que el interruptor de control (C) esté en la posición OFF (apagado).
- Alinee la parte elevada del paquete de baterías con las ranuras de la parte inferior de la herramienta y, luego, deslice el paquete de baterías en la herramienta como se muestra.
- Asegúrese de que los botones de liberación de la batería del paquete de baterías encajen en su lugar y que este quede fijo a la herramienta antes de comenzar la operación.

AVISO: al colocar el paquete de baterías en la herramienta, asegúrese de que la varilla elevada del paquete de baterías se alinee con la ranura de la herramienta y que los pestillos encajen en su lugar adecuadamente. El ensamblaje inadecuado del paquete de baterías puede provocar daños a los componentes internos.

Para retirar el paquete de baterías

- Asegúrese de que el interruptor de control (C) esté en la posición OFF (apagado).
- Presione los botones de liberación de la batería para liberar el paquete de baterías.
- Jale el paquete de baterías hacia atrás para retirar la batería de la herramienta.

ADVERTENCIA

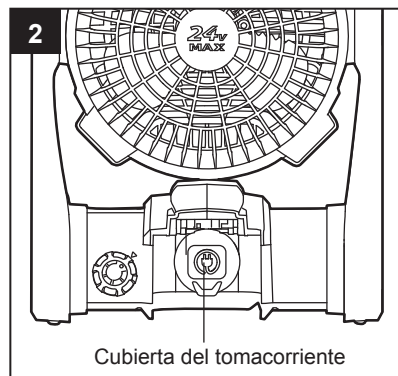
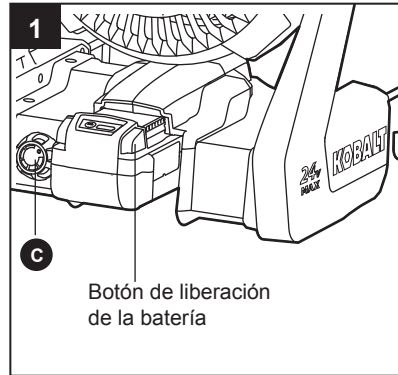
- Las herramientas con batería siempre están en condiciones de operación. Por lo tanto, el interruptor de encendido y apagado debe estar siempre en la posición de apagado cuando la herramienta no se encuentre en uso o cuando la transporte junto a usted.

Protección de la batería

Para proteger la vida útil del paquete de baterías, el ventilador se apaga cuando la carga de la batería es demasiado baja. Si esto sucede, retire el paquete de baterías y cárguelo según las indicaciones del cargador.

2. Cómo instalar/retirar el cable de alimentación para uso con alimentación de CA

- Abra la cubierta del tomacorriente
- Gire el interruptor de control (C) a la posición OFF (apagado).
- Abra la cubierta del tomacorriente.
- Introduzca el extremo cilíndrico del cable de alimentación en el tomacorriente (D), como se muestra.
- Conecte el enchufe del cable de alimentación a la fuente de alimentación de CA.
- Asegúrese de que el cable de alimentación esté fijo antes de comenzar a usarlo.



INSTRUCCIONES DE FUNCIONAMIENTO

3. Cómo arrancar/detener el ventilador

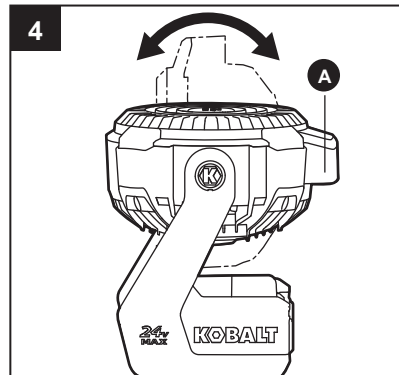
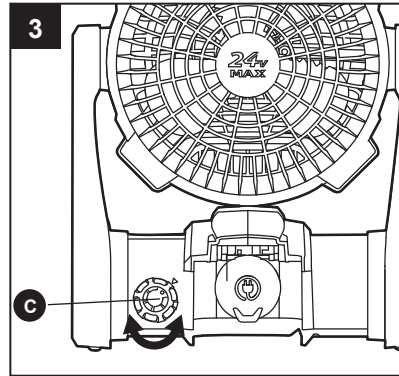
- Conecte el ventilador portátil a un cable de alimentación o a un paquete de baterías aprobado.
- Gire el interruptor de control (C) en dirección de las manecillas del reloj para encender el ventilador portátil y para regular su velocidad.
- Para detener el ventilador portátil, gire la perilla de control en dirección contraria a las manecillas del reloj hasta la posición OFF (apagado).

Cambio de velocidad del ventilador

- Para las velocidades bajas, gire el interruptor de control (C) en dirección de las manecillas del reloj.
- Para las velocidades altas, gire el interruptor de control (C) en dirección contraria a las manecillas del reloj.

4. Regulación del ángulo del ventilador

Para regular el ángulo del ventilador, agarre el ventilador por la manija de transporte (A) e incline el cabezal hacia delante o hacia atrás. El ventilador puede girar hacia delante en un rango de 50°, el ventilador puede girar hacia atrás en un rango de 130°.



INSTRUCCIONES DE FUNCIONAMIENTO

5. Cómo colgar/montar el ventilador

El ventilador tiene varias opciones para colgar. Elija la opción más adecuada para su ubicación.

NOTA: el ventilador portátil se puede colgar tanto en una posición vertical como en una horizontal. Tenga cuidado de no colgar el ventilador de tal forma que evite el funcionamiento normal del ventilador o que dañe el cable.

Colgar el ventilador usando el orificio con forma de cerradura:

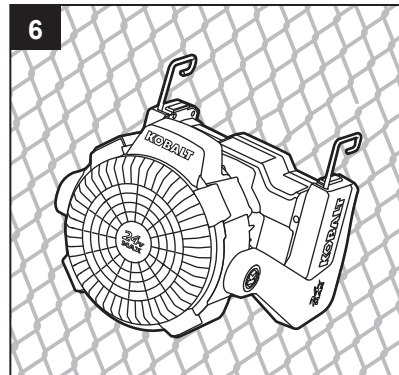
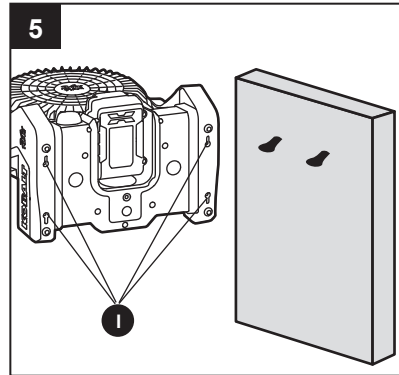
- Ubique la parte ancha de al menos dos orificios con forma de cerradura (I) sobre las cabezas de los tornillos.
- Deslice el ventilador portátil hacia abajo hasta que los tornillos estén dentro de la parte angosta del orificio con forma de cerradura y el ventilador esté fijo.

Colgar el ventilador usando los ganchos:

- Jale los ganchos (F) completamente fuera de sus ranuras y gírelos según sea necesario.

NOTA: los ganchos no girarán hasta que estén totalmente extendidos.

- Cuelgue el ventilador en un lugar resistente.



INSTRUCCIONES DE FUNCIONAMIENTO

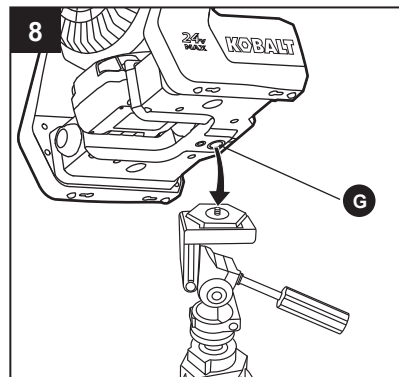
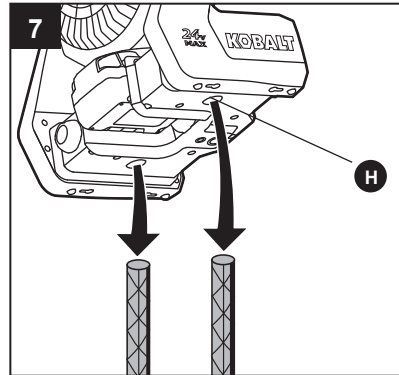
Montar el ventilador en las varillas usando las correderas de las varillas:

se puede montar el ventilador en varillas, tubos o barras fijas usando las correderas de las varillas (H) en la base del ventilador.


NOTA: los postes de montaje deben tener un diámetro entre 12,7 mm y 17,78 mm. Alinee las correderas de las varillas con las varillas y deslice el ventilador hacia abajo hasta las varillas.

Montar el ventilador en un trípode usando un orificio de montaje para trípodes:

- Ubique el ventilador sobre los tornillos de montaje para trípodes (de 5/8 pulgadas o 1/4 pulgadas). Asegúrese de que el orificio de montaje (G) en la base del ventilador esté asentado completamente sobre el tornillo de montaje.
- Gire el ventilador en dirección de las manecillas del reloj para fijarlo al trípode.



CUIDADO Y MANTENIMIENTO

 Todas las tareas de mantenimiento deben realizarse únicamente por un técnico de servicio calificado.

ADVERTENCIA

- Antes de limpiar o realizar cualquier tarea de mantenimiento, retire la batería de la herramienta. Nunca desensamble la herramienta, el paquete de baterías ni el cargador. Para un uso seguro y adecuado, siempre mantenga limpias la herramienta y sus ranuras de ventilación.

ADVERTENCIA

- Para reducir el riesgo de lesiones personales y daños al aparato, nunca sumerja la herramienta, el paquete de baterías ni el cargador en líquidos ni permita que les ingresen líquidos.

Limpieza

Use solo un paño suave y seco para limpiar la aspiradora; nunca use detergente ni alcohol.

SOLUCIÓN DE PROBLEMAS

ADVERTENCIA

- Coloque el interruptor en la posición OFF (apagado) y retire la batería de la herramienta antes de realizar cualquier procedimiento de solución de problemas.

PROBLEMA	CAUSA POSIBLE	ACCIÓN CORRECTIVA
La herramienta no funciona.	<ol style="list-style-type: none">1. La capacidad de la batería es baja.2. El paquete de baterías o el ventilador están demasiado calientes.3. El extremo cilíndrico del cable de alimentación no estaba conectado firmemente al tomacorriente.	<ol style="list-style-type: none">1. Cargue el paquete de baterías.2. Apague el ventilador y deje que se enfríe junto con el paquete de baterías.3. Verifique y vuelva a conectarlos firmemente.

GARANTÍA

La herramienta eléctrica está garantizada contra defectos de fabricación en los materiales y la mano de obra por 5 años a contar de la fecha de compra para el comprador original. Esta garantía no cubre daños por el abuso, desgaste normal, mantenimiento inadecuado, negligencia, reparación/alteración no autorizada ni piezas fungibles y accesorios que se espera que sean inutilizables después de un período de uso razonable.

Si considera que su producto cumple con los términos de garantía mencionados anteriormente, devuélvalo al lugar donde lo compró con un comprobante de compra válido y el producto defectuoso se reparará o reemplazará sin cargo. Esta garantía le otorga derechos legales específicos pero también podría tener otros derechos que varían según el estado.



