

CHAMPION® 4 RIGHT HEIGHT® ELONGATED COMPLETE TOILET

731AA.001S

- Clog resistant - Can flush 2.2 pounds of solid waste in a single flush
- Superior solid waste removal with 1,000 gram MaP score**
- Vitreous china
- Toilet stays cleaner longer with EverClean® surface. EverClean surface inhibits the growth of stain- and odor-causing bacteria, mold, and mildew on the surface
- Uses 1.6 gpf/6.0 Lpf
- Features **Champion® Flushing System**
- 4" non-adjustable piston action Accelerator™ flush valve
- 16-1/2" rim height for accessible applications
- PowerWash® rim rinses the bowl with pressurized water with every flush
- 2-3/8" fully-glazed trapway
- Chrome finish trip lever is supplied
- Sweeping pier on bowl
- 100% factory flush tested
- 2 bolt caps
- Includes Slow Close Seat
- Wax ring gasket with closet bolts
- Lifetime warranty on chinaware, 10 year warranty on all mechanical parts and 1 year warranty on seat
- **Easy Installation.** Everything needed for toilet installation is included and can be hand tightened



Nominal Dimensions:

30-1/4" x 17-7/8" x 31-3/16"
 (768 x 454 x 792mm)

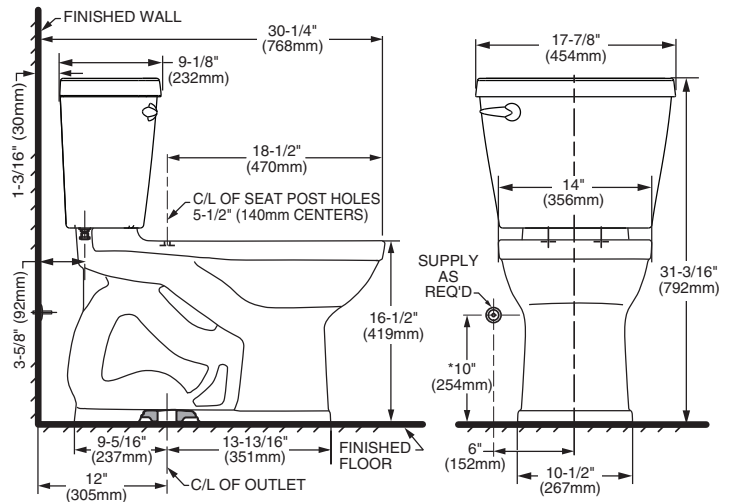
Compliance Certifications -

Meets or Exceeds the Following Specifications:

- ASME A112.19.2/CSA B45.1 for Vitreous China Fixtures

To Be Specified:

- Color: White
- Supply with stop:



NOTES:

THIS TOILET IS DESIGNED TO ROUGH-IN AT A MINIMUM DIMENSION OF 305MM (12") FROM FINISHED WALL TO C/L OF OUTLET. SUPPLY NOT INCLUDED WITH FIXTURE AND MUST BE ORDERED SEPARATELY. * DIMENSION SHOWN FOR LOCATION OF SUPPLY IS SUGGESTED.

IMPORTANT: Dimensions of fixtures are nominal and may vary within the range of tolerances established by ASME A112.19.2/CSA B45.1. These measurements are subject to change or cancellation. No responsibility is assumed for use of superseded or voided pages.

** Maximum Performance (MaP) testing performed by IAPMO R&T Lab. MaP Report conducted by Gauley Associates Ltd. and Koeller and Company.