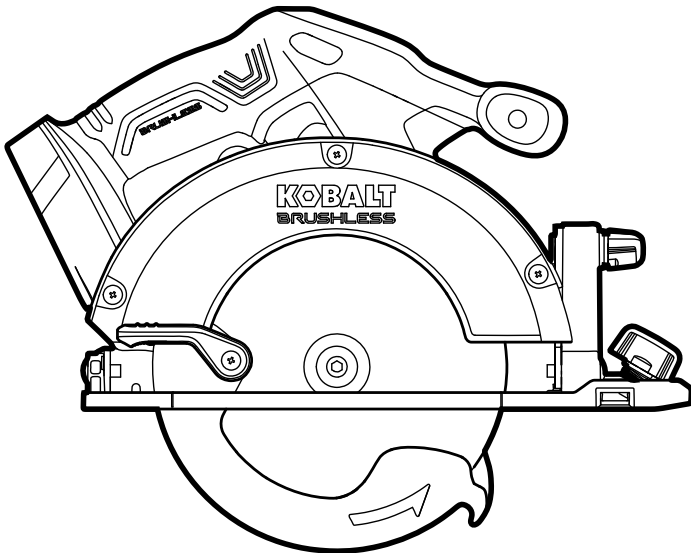


KOBALT™



ITEM #0672830/0864453/0877730

6-1/2 in Brushless Circular Saw

MODEL #KCS 6524B-03

Español p. 19

ATTACH YOUR RECEIPT HERE

Serial Number _____ Purchase Date _____



Questions, problems, missing parts? Before returning to your retailer, call our customer service department at 1-888-3KOBALT (1-888-356-2258), 8 a.m. - 8 p.m., EST, Monday - Friday.

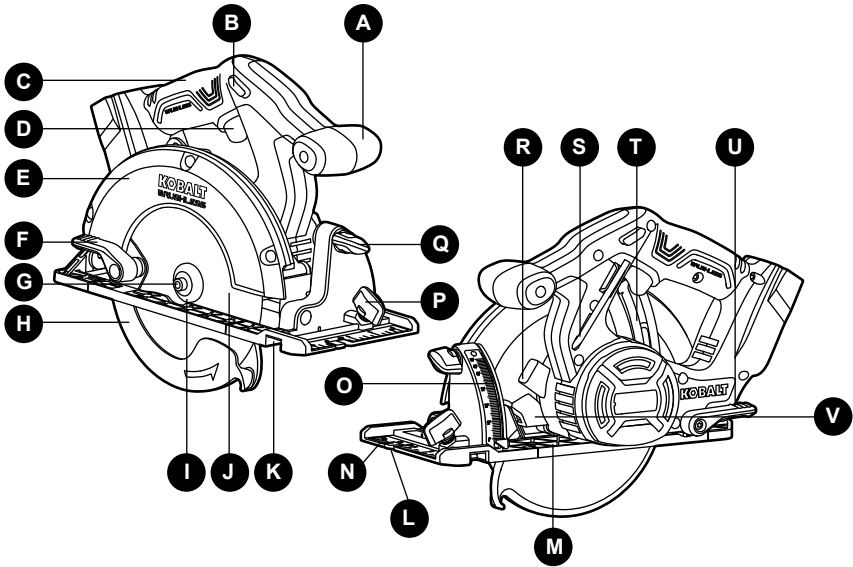
TABLE OF CONTENTS

Product Specifications.....	2
Package Contents.....	3
Safety Information.....	4
Preparation.....	9
Operating Instructions.....	10
Care and Maintenance.....	17
Troubleshooting.....	18
Warranty.....	18

PRODUCT SPECIFICATIONS

COMPONENT	SPECIFICATION
Rated voltage	24 V d.c.
No-load speed	5,400 RPM
Saw blade size	6-1/2 in.
Cutting angle	0° - 50°
Depth of cut at 90°	2-7/16 in.
Depth of cut at 45°	1-11/16 in.

PACKAGE CONTENTS



PART	DESCRIPTION
A	Auxiliary handle
B	Lock-off button
C	Main handle
D	Trigger switch
E	Upper blade guard
F	Blade-guard lever
G	Blade bolt
H	Lower blade guard
I	Blade outer flange
J	Blade
K	Edge-guide slot

PART	DESCRIPTION
L	45° blade-guide notch
M	Base shoe
N	90° blade-guide notch
O	Bevel scale
P	Edge-guide locking knob
Q	Bevel-locking knob
R	Spindle-lock button
S	Blade wrench
T	Depth scale
U	Depth-locking lever
V	LED worklight

! WARNING

- Remove the tool from the package and examine it carefully. Do not discard the carton or any packaging material until all parts have been examined.
- If any part of the tool is missing or damaged, do not attach the battery pack or use the tool until the part has been repaired or replaced. Failure to heed this warning could result in serious injury.



SAFETY INFORMATION

Please read and understand this entire manual before attempting to assemble or operate this product. If you have any questions regarding the product, please call customer service at 1-888-3KOBALT, 8 a.m. - 8 p.m., EST, Monday - Friday.



WARNING

- The operation of any power tool can result in foreign objects being thrown into your eyes, which can result in severe eye damage. Before beginning power-tool operation, always wear safety goggles or safety glasses with side shields and a full-face shield, when needed. It is recommended to use a wide vision safety mask over eyeglasses or standard safety glasses with shields. Always use eye protection marked to comply with ANSI Z87.1.
- Some dust created by power sanding, sawing, grinding, drilling, and other construction activities contains chemicals known to the state of California to cause cancer, birth defects, or other reproductive harm. Some examples of these chemicals are:
 - Lead from lead-based paints
 - Crystalline silica from bricks, cement, and other masonry products
 - Arsenic and chromium from chemically-treated lumber
- Your risk from these exposures varies, depending upon how often you do this type of work. To reduce your exposure to these chemicals:
 - Work in a well-ventilated area.
 - Work with approved safety equipment, such as dust masks that are specially designed to filter out microscopic particles.
 - Avoid prolonged contact with dust from power sanding, sawing, grinding, drilling, and other construction activities. Wear protective clothing and wash exposed areas with soap and water. Allowing dust to get into your mouth or eyes or to lie on the skin may promote absorption of harmful chemicals.

Know the Tool

To operate this tool, carefully read this manual and all labels affixed to the tool before using it. Keep this manual available for future reference.



Important

This tool should be serviced only by a qualified service technician.

Read All Instructions Thoroughly

SAFETY INFORMATION

Some of the following symbols may be used on this tool. Please study them and their meaning. Proper interpretation of these symbols will allow you to operate the tool better and more safely.

SYMBOL	DEFINITION	SYMBOL	DEFINITION
V	Volts	n_0	No-load Speed
A	Amps	/min	Revolutions or Strokes per Minute
Hz	Hertz		Direct Current
W	Watts		Alternating Current

General Power Tool Safety Warnings

WARNING

- **Read all safety warnings and all instructions.** Failure to follow the warnings and instructions may result in electric shock, fire and/or serious injury.

Save all warnings and instructions for future reference

The term “power tool” in the warnings refers to your mains-operated (corded) power tool or battery-operated (cordless) power tool.

Work Area Safety

- **Keep work area clean and well lit.** Cluttered or dark areas invite accidents.
- **Do not operate power tools in explosive atmospheres, such as in the presence of flammable liquids, gases or dust.** Power tools create sparks, which may ignite the dust or fumes.
- **Keep children and bystanders away while operating a power tool.** Distractions can cause you to lose control.

Electrical Safety

- **Power tool plugs must match the outlet. Never modify the plug in any way. Do not use any adaptor plugs with earthed (grounded) power tools.** Unmodified plugs and matching outlets will reduce the risk of electric shock.
- **Avoid body contact with earthed or grounded surfaces such as pipes, radiators, ranges and refrigerators.** There is an increased risk of electric shock if your body is earthed or grounded.
- **Do not expose power tools to rain or wet conditions.** Water entering a power tool will increase the risk of electric shock.
- **Do not abuse the cord. Never use the cord for carrying, pulling or unplugging the power tool. Keep cord away from heat, oil, sharp edges or moving parts.** Damaged or entangled cords increase the risk of electric shock.

SAFETY INFORMATION

- **When operating a power tool outdoors, use an extension cord suitable for outdoor use.** Use of a cord suitable for outdoor use reduces the risk of electric shock.
- **If operating a power tool in a damp location is unavoidable, use a ground-fault circuit interrupter (GFCI) protected supply.** Use of a GFCI reduces the risk of electric shock.

Personal Safety

- **Stay alert, watch what you are doing and use common sense when operating a power tool. Do not use a power tool while you are tired or under the influence of drugs, alcohol or medication.** A moment of inattention while operating power tools may result in serious personal injury.
- **Use personal protective equipment. Always wear eye protection.** Protective equipment such as dust mask, non-skid safety shoes, hard hat, or hearing protection, used for appropriate conditions, will reduce personal injuries.
- **Prevent unintentional starting. Ensure the switch is in the off-position before connecting to power source and/or battery pack, picking up or carrying the tool.** Carrying power tools with your finger on the switch or energizing power tools that have the switch on invites accidents.
- **Remove any adjusting key or wrench before turning the power tool on.** A wrench or a key left attached to a rotating part of the power tool may result in personal injury.
- **Do not overreach. Keep proper footing and balance at all times.** This enables better control of the power tool in unexpected situations.
- **Dress properly. Do not wear loose clothing or jewelry. Keep your hair, clothing and gloves away from moving parts.** Loose clothes, jewelry or long hair can be caught in moving parts.
- **If devices are provided for the connection of dust extraction and collection facilities, ensure that these are connected and properly used.** Use of these devices can reduce dust-related hazards.

Power Tool Use and Care

- **Do not force the power tool. Use the correct power tool for your application.** The correct power tool will do the job better and safer at the rate for which it was designed.
- **Do not use the power tool if the switch does not turn it on and off.** Any power tool that cannot be controlled with the switch is dangerous and must be repaired.
- **Disconnect the plug from the power source and/or the battery pack from the power tool before making any adjustments, changing accessories, or storing power tools.** Such preventive safety measures reduce the risk of starting the power tool accidentally.
- **Store idle power tools out of the reach of children and do not allow persons unfamiliar with the power tool or these instructions to operate the power tool.** Power tools are dangerous in the hands of untrained users.
- **Maintain power tools. Check for misalignment or binding of moving parts, breakage of parts and any other condition that may affect the power tool's operation. If damaged, have the power tool repaired before use.** Many accidents are caused by poorly maintained power tools.
- **Keep cutting tools sharp and clean.** Properly maintained cutting tools with sharp cutting edges are less likely to bind and are easier to control.
- **Use the power tool, accessories, tool bits, etc., in accordance with these instructions, taking into account the working conditions and the work to be performed.** Use of the power tool for operations different from those intended could result in a hazardous situation.



SAFETY INFORMATION

Battery Tool Use and Care

- **Recharge only with the charger specified by the manufacturer.** A charger that is suitable for one type of battery pack may create a risk of fire when used with another battery pack.
- **Use power tools only with specifically designated battery packs.** Use of any other battery packs may create a risk of injury and fire.
- **When battery pack is not in use, keep it away from other metal objects like paper clips, coins, keys, nails, screws or other small metal objects that can make a connection from one terminal to another.** Shorting the battery terminals together may cause burns or a fire.
- **Under abusive conditions, liquid may be ejected from the battery; avoid contact. If contact accidentally occurs, flush with water. If liquid contacts eyes, additionally seek medical help.** Liquid ejected from the battery may cause irritation or burns.

Service

- **Have your power tool serviced by a qualified repair person using only identical replacement parts.** This will ensure that the safety of the power tool is maintained.

Specific Safety Warnings for Circular Saws

Safety Instructions for All Saws



DANGER

- **Keep hands away from cutting area and the blade. Keep your second hand on the auxiliary handle or motor housing.** If both hands are holding the saw, they cannot be cut by the blade.
- **Do not reach underneath the workpiece.** The guard cannot protect you from the blade below the workpiece.
- **Adjust the cutting depth to the thickness of the workpiece.** Less than a full tooth of the blade teeth should be visible below the workpiece.
- **Never hold the piece being cut in your hands or across your leg. Secure the workpiece to a stable platform.** It is important to support the work properly to minimize body exposure, blade binding, and loss of control.
- **Hold the power tool by insulated gripping surfaces only, when performing an operation where the cutting tool may contact hidden wiring.** Contact with a "live" wire will also make exposed metal parts of the power tool "live" and could give the operator an electric shock.
- **When ripping, always use a rip fence or straight-edge guide.** This improves the accuracy of cut and reduces the chance of blade binding.
- **Always use blades with arbor holes of the correct size and sharp (diamond versus round).** Blades that do not match the mounting hardware of the saw will run eccentrically, causing loss of control.
- **Never use damaged or incorrect blade washers or bolt.** The blade washers and bolt were specially designed for your saw for optimum performance and safe operation.

Further Safety Instructions for All Saws

SAFETY INFORMATION

Cause and operator prevention of kickback:

- Kickback is a sudden reaction to a pinched, bound or misaligned saw blade, causing an uncontrolled saw to lift up and out of the workpiece toward the operator.
- When the blade is pinched or bound tightly by the kerf closing down, the blade stalls and the motor reaction drives the unit rapidly back toward the operator.
- If the blade becomes twisted or misaligned in the cut, the teeth at the back edge of the blade can dig into the upper surface of the wood, causing the blade to climb out of the kerf and jump back toward the operator.

Kickback is the result of saw misuse and/or incorrect operating procedures or conditions and can be avoided by taking proper precautions, as given below.

- **Maintain a firm grip with both hands on the saw and position your arms to resist kickback forces. Position your body to either side of the blade, but not in line with the blade.** Kickback could cause the saw to jump backward, but kickback forces can be controlled by the operator if proper precautions are taken.
- **When blade is binding, or when interrupting a cut for any reason, release the trigger and hold the saw motionless in the material until the blade comes to a complete stop. Never attempt to remove the saw from the work or pull the saw backward while the blade is in motion or kickback may occur.** Investigate and take corrective actions to eliminate the cause of blade binding.
- **When restarting a saw in the workpiece, center the saw blade in the kerf and check that the saw teeth are not engaged in the material.** If the saw blade is binding, it may walk up or kickback from the workpiece as the saw is restarted.
- **Support larger panels to minimize the risk of blade pinching and kickback.** Larger panels tend to sag under their own weight. Supports must be placed under the panel on both sides: near the line of cut and near the edge of the panel.
- **Do not use dull or damaged blades.** Dull or improperly set blades produce narrow kerf, causing excessive friction, blade binding and kickback.
- **Blade-depth and bevel-adjusting locking levers must be tight and secure before making a cut.** If the blade adjustment shifts while cutting, it may cause binding and kickback.
- **Use extra caution when making a “plunge cut” into existing walls or other blind areas.** The protruding blade may contact hidden objects that can cause kickback.

Safety Instructions for Lower Blade Guard

- **Check the lower guard for proper closing before each use. Do not operate the saw if the lower guard does not move freely and close instantly. Never clamp or tie the lower guard into the open position.** If the saw is accidentally dropped, the lower guard may be bent. Raise the lower guard with the retracting handle and make sure that it moves freely and does not touch the blade or any other part, in all angles and all depths of cut.
- **Check the operation of the lower guard spring. If the guard and the spring are not operating properly, they must be serviced before use.** A lower guard may operate sluggishly due to damaged parts, gummy deposits, or a build-up of debris.
- **The lower guard should be retracted manually only for special cuts, such as “plunge cuts” and “compound cuts.” Raise the lower guard with the retracting handle and, as soon as blade enters the material, the lower guard must be released.** For all other sawing, the lower guard should be allowed to operate automatically.
- **Always observe that the lower guard is covering the blade before placing the saw down on the bench or floor.** An unprotected, coasting blade will cause the saw to walk backwards, cutting whatever is in its path. Be aware of the time it takes for the blade to stop after switch is released.



SAFETY INFORMATION

Additional Safety Warnings for Circular Saws

- a. Always wear a dust mask
- b. Only use recommended saw blades
- c. Always wear hearing protection
- d. Do not use with any abrasive wheels

PREPARATION

Know Your Circular Saw

Before attempting to use the circular saw, familiarize yourself with all of its operating features and safety requirements.



WARNING

- Do not allow familiarity with the circular saw to cause carelessness. Remember that one careless moment is enough to cause severe injury. Before attempting to use any tool, be sure to become familiar with all of the operating features and safety instructions.
- Do not attempt to modify this tool or create accessories not recommended for use with this tool. Any such alteration or modification is misuse and could result in a hazardous condition leading to possible serious personal injury.

OPERATING INSTRUCTIONS

1. Battery Pack

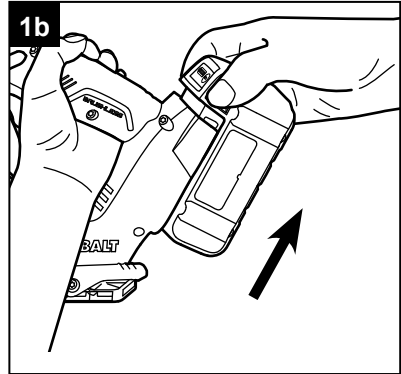
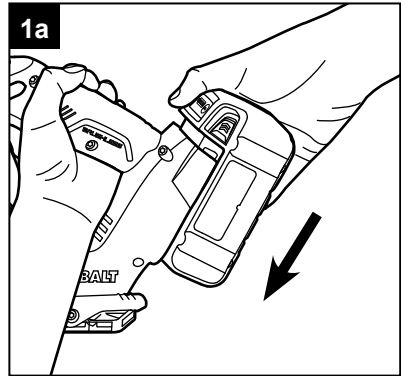
To Attach Battery Pack

- Ensure that the trigger switch (D) is in the "OFF" position.
- Align the raised portion on the battery pack with the grooves on the bottom of the tool, then slide the battery pack onto the saw as shown.
- Make sure that the latches on the battery pack snap into place and the battery pack is secured to the tool before beginning operation.

NOTICE: When placing the battery pack on the tool, be sure that the raised rib on battery pack aligns with the groove on the tool and the latches snap into place properly. Improper assembly of the battery pack can cause damage to internal components.

To Detach Battery Pack

- Ensure that the trigger switch (D) is in the "OFF" position.
- Press the battery-release buttons to release the battery pack.
- Pull forward on the battery pack to remove it from the tool.



OPERATING INSTRUCTIONS

2. Trigger Switch

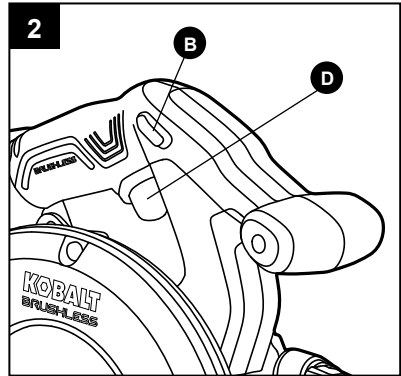
- a. To turn the saw ON, press the lock-off button (B), then squeeze the trigger switch (D).

⚠ WARNING

- The blade should reach full speed before it comes into contact with the workpiece.
- b. To turn the saw OFF, release the trigger switch and allow the blade to come to a complete stop.

Electric Brake

The circular saw is equipped with an electric brake. When the trigger switch is released, the electric brake engages automatically to quickly stop the rotation.



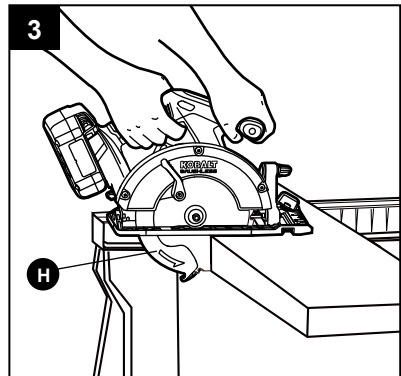
3. Blade Guard System

The lower blade guard (H) on the circular saw is there for the operator's protection and safety. Do not alter it for any reason.

If the lower blade guard becomes damaged or if the blade begins to run slowly or sluggishly, DO NOT operate the saw until the damaged part has been repaired or replaced. ALWAYS leave the guard in its correct operating position when using the saw.

⚠ DANGER

- When sawing through a workpiece, the lower blade guard does not cover the blade on the underside of the workpiece. ALWAYS keep hands and body away from the cutting area. Serious injury will result if any part of the body comes into contact with the moving blade.



⚠ WARNING

- To avoid possible serious injury, never use the saw when the lower blade guard is not operating correctly. Check the lower blade guard for correct operation before each use. It should move freely and instantly return to the closed position. If the saw is dropped, check the lower blade guard and bumper for damage at all depth settings before using it.

If the lower blade guard does not snap closed at any time, take it to a qualified service technician for repair.

OPERATING INSTRUCTIONS

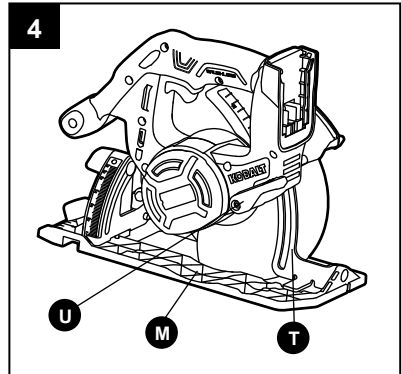
4. Adjusting the Cutting Depth

! WARNING

- Always maintain the correct blade-depth setting.

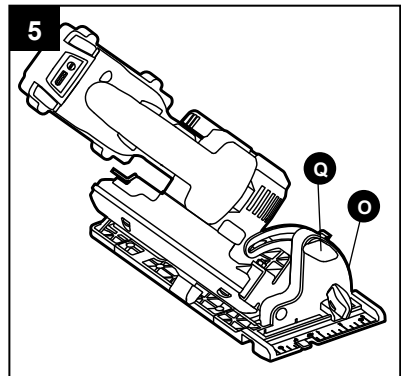
The correct blade-depth setting for all cuts should not exceed the thickness of the material being cut by more than 1/4 in. (6.5 mm). Greater blade depth will increase the chance of kickback and cause the cut to be rough.

- Remove the battery pack from the saw.
- Raise the depth-locking lever (U) to release it.
- Hold the base shoe (M) against the workpiece and raise or lower the saw until the indicator mark on the saw aligns with the desired depth on the depth scale (T).
- Lower the depth-locking lever to lock it into position.



5. Adjusting the Cutting Angle

- Remove the battery pack from the saw.
- Loosen the bevel-locking knob (Q), located on the 0°-50° bevel scale (O).
- Tilt the body of the saw until the indicator mark on the saw aligns with the required angle on the bevel-angle scale.
- Tighten the bevel-locking knob to secure the saw.

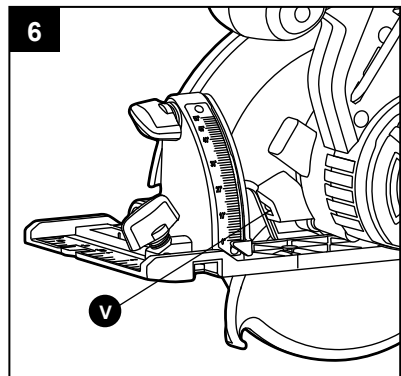


6. LED worklight

The circular saw is equipped with an LED worklight (V) that will illuminate when the trigger switch is depressed. This provides additional light on the surface of the workpiece for operation in lower-light areas.

The LED worklight will turn off after the trigger switch is released.

- The LED worklight will blink rapidly if the tool has stopped working in order to protect internal circuits; please wait for the tool to cool down, at which point it can be started again.
- The LED worklight will blink slowly to indicate that the battery charge is very low.



OPERATING INSTRUCTIONS

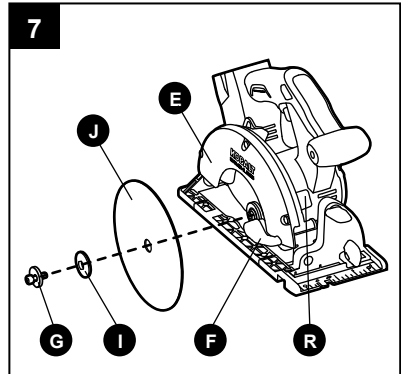
7. Saw Blades

The best saw blades will not cut efficiently if they are not kept clean, sharp, and properly set. Using a dull blade will place a heavy load on the saw and increase the danger of kickback. Keep extra blades on hand so sharp blades are always available.

Gum and resin on blades will slow the saw down. Follow the instructions for removing a saw blade, then use gum and resin remover, hot water, or kerosene to remove the accumulations.

⚠ WARNING

- Do not use gasoline to clean the blade.



Installing a Saw Blade

- Remove the battery pack from the saw.
- Depress and hold the spindle-lock button (R).
- Loosen the blade bolt (G) by turning it counterclockwise with the blade wrench (S) (included).
- Remove the blade bolt, washer and outer flange (I).

⚠ WARNING

- If the inner flange has been removed, replace it before placing the blade on the spindle. Failure to do so will prevent the blade from tightening properly and could result in serious personal injury.
- Use the blade-guard lever (F) to retract the lower blade guard (H) into the upper blade guard (E).
 - Fit the saw blade (J) inside the lower blade guard and onto the spindle. Verify that the saw teeth, the arrow on the saw blade and the blade-rotation indicator arrow on the blade guard are all pointing in the same direction.

NOTICE: The saw teeth should point upward at the front of the saw.

- Replace the outer blade flange with the protuberant facing outward.
- Depress and hold the spindle-lock button, and replace the washer and blade bolt.
- Tighten the blade bolt securely by turning it clockwise with the blade wrench.

NOTICE: Never use a blade that is too thick to allow the outer blade flange to engage with the flat section of the spindle.

⚠ WARNING

- To prevent personal injury, always remove the battery pack before installing or removing the saw blade.

OPERATING INSTRUCTIONS

Removing the Saw Blade

- Remove the battery pack from the saw.
- Depress and hold the spindle-lock button (R).
- Loosen the blade bolt (G) by turning it counterclockwise with the blade wrench (S).
- Remove the blade bolt and outer blade flange (I).
- Lift the lower blade guard (H) and then remove the blade (J).

8. Cutting With the Circular Saw

Refer to the figures in this section to learn the correct and incorrect ways of handling the saw.

⚠ WARNING

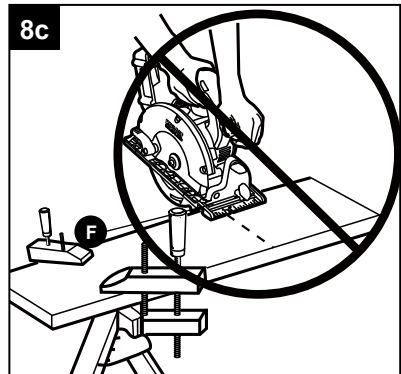
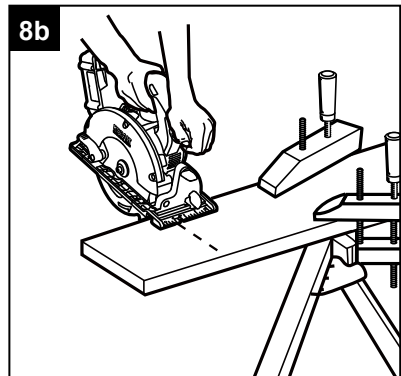
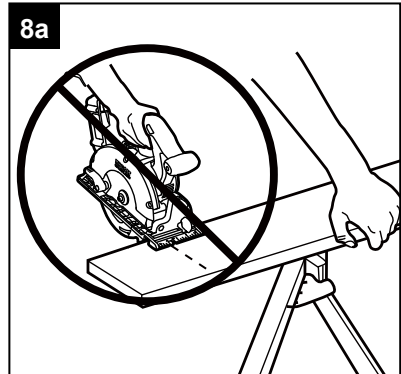
- To make sawing easier and safer, always maintain proper control of the saw. Loss of control could cause an accident resulting in serious injury.

⚠ DANGER

- When lifting the saw from the workpiece, the blade is exposed on the underside of the saw until the lower blade guard (H) closes. Make sure that the lower blade guard is closed before setting the saw down.

To make the safest and best possible cut, follow these helpful hints:

- Hold the saw firmly with both hands.
- Avoid placing your hand on the workpiece while making a cut (Fig. 8a).
- Support the workpiece so that the cut is always to the operator's side and not directly in line with the operator's body.
- Support the workpiece near the cut.
- Clamp the workpiece securely so that the workpiece will not move during the cut (Fig. 8b).
- Always place the saw on the portion of the workpiece that is supported and not on the "cut off" piece (Fig. 8c).
- Place the workpiece with the "good" side down.
- Draw a guideline along the desired cutting line before beginning the cut.



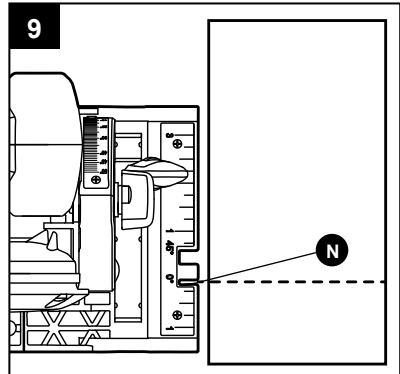
OPERATING INSTRUCTIONS

9. Cross-Cutting/Rip Cutting

When making a cross-cut or a rip cut, align the guideline with the 90° blade-guide notch (N) on the base shoe (T). The distance from the saw blade to the saw base is approximately 3-5/8 in. (9.2 cm) on the left side of the saw and 1-1/2 in. (3.7 cm) on the right side.

Blade thicknesses vary, so you should always make a trial cut in scrap material along a guideline to determine how much the guideline must be offset from the guide to produce an accurate cut.

NOTICE: Use a guide when making long or wide rip cuts.



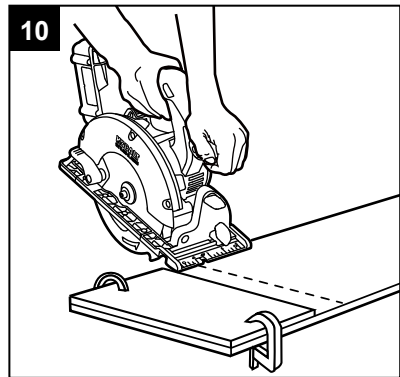
10. Rip Cutting Using a Straight Edge

- Secure the workpiece.
- Clamp a straight edge to the workpiece using C-clamps (not included).

NOTICE: Position the C-clamps so that they will not interfere with the saw housing during the cut.

- Press the lock-off button (B) and depress the trigger switch (D) to start the saw.
- Allow the blade (J) to reach full speed, then guide the saw into the workpiece and make the cut.
- Saw along the straight edge to achieve a straight rip cut.
- Release the trigger switch and allow the blade to come to a complete stop.
- Lift the saw from the workpiece.

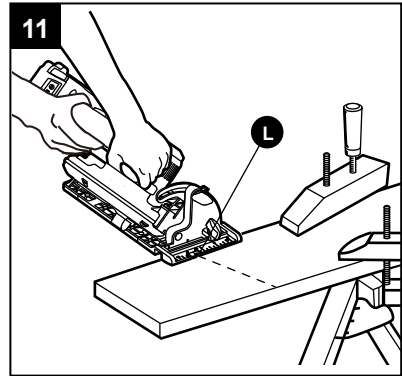
NOTICE: Do not bind the blade in the cut.



OPERATING INSTRUCTIONS

11. Bevel Cutting

- a. Remove the battery pack.
- b. Adjust the angle of cut to any desired setting between 0° and 50° . Securely tighten the bevel-locking knob (Q).
- c. Replace the battery pack.
- d. Align the cutting line with the 45° blade-guide notch (L) on the base shoe (M) when making 45° bevel cuts.
- e. Make a trial cut in scrap material along a guideline to determine the amount to offset the guideline on the cutting material.



! WARNING

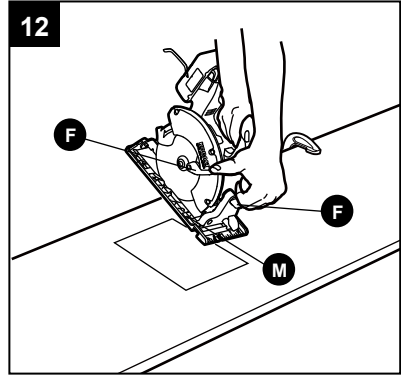
- Attempting a bevel cut without having the bevel-locking knob securely locked in place can result in serious injury.
- f. Hold the saw firmly with both hands, as shown.
 - g. Rest the front edge of the base shoe on the workpiece without touching the blade to the workpiece.
 - h. Start the saw and allow the blade to reach full speed.
 - i. Guide the saw into the workpiece and make the cut.
 - j. Release the trigger switch and allow the blade to come to a complete stop.
 - k. Lift the saw from the workpiece.

OPERATING INSTRUCTIONS

12. Pocket Cutting

! WARNING

- Always adjust the bevel setting to 0° before making a pocket cut. Attempting a pocket cut at any other setting can result in loss of control of the saw and possible serious injury.
- a. Adjust the bevel setting to 0° and tighten the bevel-locking knob (Q).
 - b. Set the blade to the correct blade cutting depth.
 - c. Swing the lower blade guard (H) up using the blade-guard lever (F).
 - d. Hold the lower blade guard in place with the blade-guard lever.
 - e. Rest the front of the base shoe (M) against the workpiece, with the rear of it raised so that the blade (J) does not touch the workpiece.
 - f. Press the lock-off button (B) and depress the trigger switch (D) to start the saw.
 - g. Allow the blade to reach full speed, then guide the saw into the workpiece and make the cut.
 - h. Release the trigger switch and allow the blade to come to a complete stop.
 - i. Lift the saw from the workpiece.



! WARNING

- Always cut in a forward direction when pocket cutting. Cutting in the reverse direction could cause the saw to climb up on the workpiece and kick back toward the operator.
- As the blade starts cutting the material, release the blade-guard lever immediately. When the foot of the guard rests flat on the surface being cut, proceed cutting in a forward direction to the end of the cut.
- Never tie the lower blade guard in a raised position. Leaving the blade exposed could lead to serious injury.

CARE AND MAINTENANCE

- !** All maintenance should only be carried out by a qualified service technician.

Cleaning

Before cleaning or performing any maintenance, remove the battery pack from the circular saw. For safe and proper operation, always keep the tool and its ventilation slots clean.

Always use only a soft, dry cloth to clean your circular saw; never use detergent or alcohol.

TROUBLESHOOTING

WARNING

- Turn the switch to the “OFF” position and remove the battery pack from the circular saw before performing troubleshooting procedures.

PROBLEM	POSSIBLE CAUSE	CORRECTIVE ACTION
The circular saw does not work.	Battery is depleted.	Charge the battery.
Blade binds, jams, or burns the wood.	1. Improper operation. 2. Dull blade. 3. Improper blade.	1. See “OPERATING INSTRUCTIONS” section. 2. Replace or sharpen blade. 3. Replace blade.
Saw vibrates or shakes.	1. Improper blade. 2. Improper operation of installing blade.	1. Replace blade. 2. Remove the blade and reinstall it, ensuring no part was missed.
The LED worklight blinks rapidly.	The tool has stopped working to protect internal circuits.	Release the trigger switch, wait for the tool to cool down, then and start the tool again.
The LED worklight blinks slowly.	The battery charge is very low.	Charge the battery.

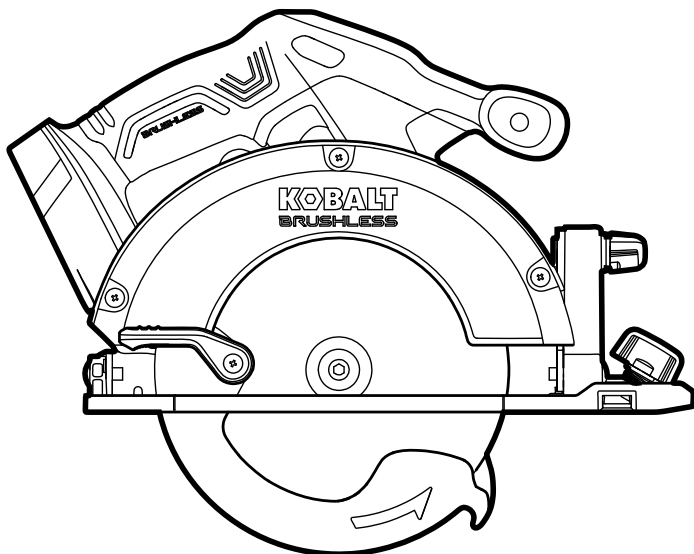
WARRANTY

For 5 years from the date of purchase, the circular saw is warranted for the original purchaser to be free from defects in material and workmanship. This guarantee does not cover damage due to abuse, normal wear, improper maintenance, neglect, unauthorized repair/alteration, or expendable parts and accessories expected to become unusable after a reasonable period of use.

If you think your product meets the above guarantee criteria, please return it to the place of purchase with valid proof of purchase and the defective product will be repaired or replaced at no charge. This guarantee gives you specific legal rights, and you may also have other rights that vary from state to state.

Printed in China

KOBALT™



ARTÍCULO #0672830/0864453/0877730

SIERRA CIRCULAR SIN CEPILLO DE 6-1/2 PULG.

MODELO #KCS 6524B-03

ADJUNTE SU RECIBO AQUÍ

Número de serie _____ Fecha de compra _____



¿Preguntas, problemas, piezas faltantes? Antes de volver a la tienda, llame a nuestro departamento de servicio al cliente al 1-888-3KOBALT (1-888-356-2258), de lunes a viernes de 8 a. m. a 8 p. m., hora estándar del Este.

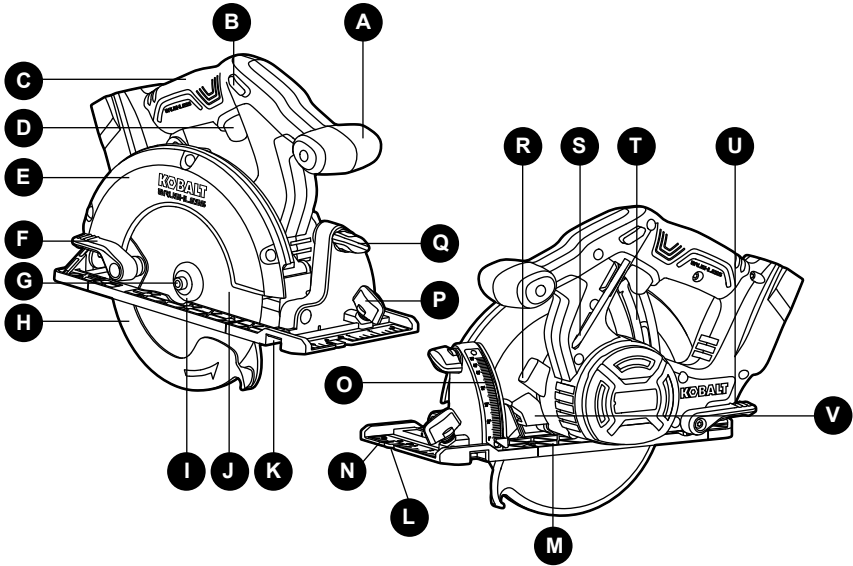
ÍNDICE

Especificaciones del producto.....	20
Contenido del paquete	21
Información de seguridad.....	22
Preparación	28
Instrucciones de funcionamiento.....	28
Cuidado y mantenimiento	35
Solución de problemas.....	36
Garantía	36

ESPECIFICACIONES DEL PRODUCTO

COMPONENTE	ESPECIFICACIONES
Rango de voltaje	24 V CC
Velocidad sin carga	5,400 RPM
Tamaño de la hoja de sierra	16,51 cm
Ángulo de corte	0° - 50°
Profundidad del corte a 90°	6,19 cm
Profundidad del corte a 45°	4,28 cm

CONTENIDO DEL PAQUETE



PIEZAS	DESCRIPCIÓN
A	Manija auxiliar
B	Botón de bloqueo/apagado
C	Manija principal
D	Interruptor de gatillo
E	Protección de hoja superior
F	Palanca de protección de hoja
G	Perno de la hoja
H	Protección de hoja inferior
I	Brida de hoja externa
J	Hoja
K	Ranura guía del borde

PIEZAS	DESCRIPCIÓN
L	Ranura guía de la hoja en 45°
M	Listoncillo de base
N	Ranura guía de la hoja en 90°
O	Escala de biselado
P	Perilla de bloqueo de la guía del borde
Q	Perilla de bloqueo de biselado
R	Botón de bloqueo del husillo
S	Llave para hoja
T	Escala de profundidad de corte
U	Palanca de bloqueo de profundidad
V	Luz de trabajo con bombilla LED

⚠ ADVERTENCIA

- Retire la herramienta del paquete y examínela con cuidado. No deseche la caja ni ningún material de embalaje hasta después de examinar todas las piezas.
- Si falta alguna pieza de la herramienta o si alguna pieza está dañada, no coloque el paquete de baterías ni use la herramienta hasta reparar o reemplazar la pieza. El incumplimiento de esta advertencia podría provocar lesiones graves.

INFORMACIÓN DE SEGURIDAD

Lea y comprenda por completo este manual antes de intentar ensamblar u operar este producto. Si tiene preguntas relacionadas con el producto, llame al Departamento de Servicio al Cliente al 1-888-3KOBALT, de lunes a viernes de 8 a.m. a 8 p.m., hora estándar del Este.

ADVERTENCIA

- Durante el funcionamiento de cualquier herramienta eléctrica, pueden entrar objetos extraños a los ojos y causar graves daños oculares. Use siempre gafas de seguridad con protecciones laterales y, cuando sea necesario, use una máscara que cubra todo el rostro antes de comenzar a operar una herramienta eléctrica. Recomendamos usar una máscara de seguridad de visión amplia sobre los lentes o las gafas de seguridad estándar con protección. Siempre use lentes de protección que cumplan con la norma ANSI Z87.1.
- Parte del polvo causado por el lijado eléctrico, el serruchado, la trituración, el taladro y otras actividades de construcción contiene sustancias químicas que, según el estado de California, causan cáncer, defectos congénitos u otros daños reproductivos. Algunos ejemplos de estos químicos son los siguientes:
 - Plomo de pinturas a base de plomo.
 - Sílice cristalina de ladrillo, cemento y otros productos de mampostería.
 - Arsénico y cromo de madera tratada con sustancias químicas.
- El riesgo que corre debido a la exposición a estos químicos varía según la frecuencia con que realiza este tipo de trabajo. Para disminuir su exposición a estas sustancias químicas:
 - Trabaje en un área bien ventilada.
 - Trabaje con equipo de seguridad aprobado, como mascarillas antipolvo especialmente diseñadas para filtrar partículas microscópicas.
 - Evite estar en contacto prolongado con el polvo provocado por las lijas, sierras, trituradoras, taladros eléctricos y otras actividades de construcción. Use ropa protectora y lave todas las áreas expuestas del cuerpo con agua y jabón. Si permite que el polvo llegue a su boca, ojos o piel, puede fomentar la absorción de químicos dañinos.

Conozca la herramienta

Para operar esta herramienta, lea con atención este manual y todas las etiquetas de la herramienta antes de usarla. Conserve este manual para tenerlo como referencia futura.



Importante

Solo un técnico de servicio calificado puede reparar esta herramienta.

Lea por completo todas las instrucciones

INFORMACIÓN DE SEGURIDAD

Algunos de los siguientes símbolos pueden aparecer en esta herramienta. Obsérvelos y aprenda su significado. La interpretación correcta de estos símbolos le permitirá utilizar la herramienta de manera eficaz y segura.

SÍMBOLO	DEFINICIÓN	SÍMBOLO	DEFINICIÓN
V	Voltios	n_0	Velocidad sin carga
A	Amperios	/min	Revoluciones o pasadas por minuto
Hz	Hertz		Corriente continua
W	vatios		Corriente alterna

Advertencias de seguridad general en el manejo de herramientas eléctricas

ADVERTENCIA

- **Lea todas las advertencias de seguridad y todas las instrucciones.** El incumplimiento de las advertencias y de las instrucciones podría provocar descargas eléctricas, incendios o lesiones graves.

Guarde todas las advertencias e instrucciones para referencia futura

El término "herramienta eléctrica" que aparece en las advertencias se refiere a la herramienta eléctrica que se conecta a la línea principal (con cable) o a la herramienta eléctrica que funciona con batería (inalámbrica).

Seguridad en el área de trabajo

- **Mantenga el área de trabajo limpia y bien iluminada.** Las áreas desordenadas u oscuras aumentan las posibilidades de accidentes.
- **No utilice herramientas eléctricas en atmósferas en las que exista riesgo de explosión, como por ejemplo en presencia de líquidos inflamables, gases o polvo.** Las herramientas eléctricas producen chispas que podrían encender el polvo o humo.
- **Mantenga a los niños y a las personas cercanas alejadas durante el funcionamiento de una herramienta eléctrica.** Las distracciones pueden hacerle perder el control.

Seguridad eléctrica

- **El enchufe de la herramienta eléctrica debe encajar en el tomacorriente. Nunca modifique el enchufe de ninguna manera. No utilice ningún enchufe adaptador con herramientas eléctricas con puesta a tierra.** Los enchufes sin modificaciones y que encajan en los tomacorrientes reducen el riesgo de descarga eléctrica.
- **Evite el contacto del cuerpo con superficies conectadas a tierra, como tuberías, radiadores, extractores o refrigeradores.** Existe un gran riesgo de descarga eléctrica si su cuerpo tiene conexión a tierra.

INFORMACIÓN DE SEGURIDAD

- **No exponga las herramientas eléctricas a la lluvia o a condiciones de humedad.** El ingreso de agua en una herramienta eléctrica aumentará el riesgo de descarga eléctrica.
- **No maltrate el cable. Nunca use el cable para transportar, jalar o desenchufar la herramienta eléctrica. Mantenga el cable alejado del calor, el aceite, los bordes filosos o las piezas en movimiento.** Los cables dañados o enredados aumentan el riesgo de descarga eléctrica.
- **Cuando opere una herramienta eléctrica en exteriores, utilice una extensión eléctrica para uso en exteriores.** La utilización de un cable apto para uso en exteriores reduce el riesgo de descarga eléctrica.
- **Si debe utilizar una herramienta eléctrica en un área húmeda, use un suministro protegido con un interruptor de circuito de falla de puesta a tierra (GFCI, por sus siglas en inglés).** El uso de un GFCI disminuye el riesgo de descarga eléctrica.

Seguridad personal

- **Manténgase alerta, preste atención a lo que hace y utilice el sentido común cuando use una herramienta eléctrica. No utilice una herramienta eléctrica si está cansado o bajo los efectos de drogas, alcohol o medicamentos.** Un momento de desatención mientras opera herramientas eléctricas puede provocar lesiones personales graves.
- **Use un equipo de protección personal. Utilice siempre lentes de protección.** Los equipos de protección, como una mascarilla antipolvo, zapatos de seguridad antideslizantes, casco protector o protección auditiva, utilizados para condiciones adecuadas, disminuyen las lesiones personales.
- **Evite un arranque accidental. Asegúrese de que el interruptor esté en la posición de apagado antes de conectar la fuente o la batería, levantar la herramienta o transportarla.** Transportar herramientas eléctricas con el dedo en el interruptor o enchufar herramientas eléctricas que tienen el interruptor encendido aumenta las posibilidades de accidentes.
- **Retire todas las llaves de ajuste o llaves inglesas antes de encender la herramienta eléctrica.** Si se deja una llave inglesa o una llave conectada a una pieza giratoria de la herramienta eléctrica, se pueden producir lesiones personales.
- **No se incline demasiado. Mantenga una posición y un equilibrio adecuados en todo momento.** Esto permite un mejor control de la herramienta eléctrica en situaciones inesperadas.
- **Use ropa adecuada. No use ropa holgada ni joyas. Mantenga el cabello, la ropa y los guantes lejos de las piezas en movimiento.** La ropa holgada, las joyas o el cabello largo pueden quedar atrapados en las piezas giratorias.
- **Si se proporcionan dispositivos para la conexión de equipos de extracción y recolección de polvo, asegúrese de que se conecten y se usen debidamente.** El uso de estos dispositivos puede disminuir los peligros relacionados con el polvo.

Uso y cuidado de las herramientas eléctricas

- **No fuerce la herramienta eléctrica. Utilice la herramienta eléctrica adecuada para su aplicación.** La herramienta eléctrica adecuada realizará un trabajo más seguro y de mejor calidad a la velocidad para la cual fue diseñada.
- **No utilice la herramienta eléctrica si el interruptor no la enciende o apaga.** Cualquier herramienta eléctrica que no pueda controlarse con el interruptor es peligrosa y debe repararse.
- **Desconecte el enchufe de la fuente de alimentación o la batería de la herramienta eléctrica antes de realizar cualquier ajuste, cambiar accesorios o almacenar herramientas eléctricas.** Este tipo de medidas de seguridad preventivas reduce el riesgo de arranques accidentales de la herramienta eléctrica.

INFORMACIÓN DE SEGURIDAD

- **Almacene las herramientas eléctricas que no estén en uso fuera del alcance de los niños y no permita que las personas que no estén familiarizadas con la herramienta o con estas instrucciones la operen.** Las herramientas eléctricas son peligrosas en manos de usuarios sin capacitación.
- **Realice mantenimiento a las herramientas eléctricas. Revise si hay desalineación o atascamiento de piezas móviles o si están rotas, así como cualquier otra condición que pueda afectar la operación de la herramienta eléctrica. Si se daña, haga reparar la herramienta eléctrica antes de usarla.** Muchos accidentes son producto del mantenimiento incorrecto de las herramientas eléctricas.
- **Mantenga las herramientas de corte afiladas y limpias.** Las herramientas de corte que se mantienen de forma adecuada, con sus bordes de corte afilados, tienen un riesgo menor de trabarse y son más fáciles de controlar.
- **Use la herramienta eléctrica, los accesorios, las brocas, etc., de acuerdo con estas instrucciones y según las condiciones de trabajo y el tipo de trabajo que desea realizar.** El uso de la herramienta eléctrica en operaciones distintas para las que se diseñó podría crear una situación de peligro.

Uso y cuidado de herramientas con batería

- **Recargue solo con el cargador especificado por el fabricante.** Un cargador adecuado para un tipo de paquete de baterías puede generar riesgo de incendio cuando se usa con otro paquete de baterías.
- **Use las herramientas eléctricas solo con paquetes de baterías designados específicamente.** El uso de cualquier otro paquete de baterías puede generar riesgo de lesión e incendio.
- **Cuando el paquete de baterías no está en uso, aléjelo de objetos metálicos, como sujetapapeles, monedas, llaves, clavos, tornillos u otros objetos metálicos pequeños que pudieran crear una conexión entre los terminales.** Es posible que una conexión entre los terminales produzca quemaduras o un incendio.
- **En condiciones de maltrato, es posible que salga líquido de la batería; evite el contacto. Si se produce un contacto por accidente, enjuague con agua. Si el líquido entra en contacto con los ojos, además de lo mencionado con anterioridad, debe buscar atención médica.** El líquido que sale de la batería puede provocar irritación o quemaduras.

Reparación

- **Permita que solo una persona capacitada repare la herramienta eléctrica, utilizando solo piezas de repuesto idénticas.** Esto mantendrá la seguridad de la herramienta eléctrica.

Advertencias específicas de seguridad para sierras circulares

Instrucciones de seguridad para todas las sierras

PELIGRO

- **Mantenga las manos alejadas del área de corte y de la hoja. Mantenga la otra mano en la manija auxiliar o la carcasa del motor.** Si ambas manos sujetan la sierra, no pueden sufrir cortes por parte de la hoja.
- **No se coloque bajo la pieza de trabajo.** La protección no puede protegerlo de la hoja debajo de la pieza de trabajo.

INFORMACIÓN DE SEGURIDAD

- **Ajuste la profundidad de corte de acuerdo con el grosor de la pieza de trabajo.** Se debe ver menos que un diente completo de la hoja bajo la pieza de trabajo.
- **Nunca sostenga la pieza que desea cortar con las manos o contra su pierna. Asegure la pieza de trabajo a una plataforma estable.** Es importante que apoye de forma adecuada la pieza para minimizar la exposición del cuerpo, el atascamiento de la hoja y la pérdida de control.
- **Sostenga las herramientas eléctricas por las superficies de sujeción aisladas al realizar una operación en la que la herramienta de corte pueda entrar en contacto con alambres ocultos o con su propio cable.** Sostenga las herramientas eléctricas por las superficies de sujeción aisladas al realizar una operación en la que la herramienta de corte pueda entrar en contacto con alambres ocultos o con su propio cable.
- **Al cortar al hilo, siempre use una guía para cortes al hilo o una guía con borde recto.** Esto mejora la precisión del corte y reduce la posibilidad de atascos de la hoja.
- **Siempre utilice hojas con orificios para el eje del tamaño y forma correctos (diamante en comparación con redondo).** Las hojas que no coinciden con los aditamentos de montaje de la sierra funcionarán de manera irregular y causarán una pérdida de control.
- **Nunca use arandelas o pernos de hojas dañados o incorrectos.** Nunca use arandelas o pernos de hojas dañados o incorrectos.

Instrucciones de seguridad adicionales para todas las sierras

Causa y prevención del operador ante una situación de retroceso:

- El retroceso es una reacción repentina a una hoja de sierra apretada, atascada o desalineada, lo cual hace que una sierra descontrolada se levante y salga de la pieza de trabajo hacia el operador.
- Cuando la hoja se aprieta o atasca por la entalladura que se cierra, la hoja se detiene y la reacción del motor impulsa la unidad rápidamente hacia el operador.
- Si la hoja se tuerce o desalinea en el corte, los dientes del borde posterior de la hoja se pueden enterrar en la superficie superior de la madera, lo que hace que la hoja salga de la entalladura y salte hacia el operador.

El retroceso es la consecuencia del uso inadecuado de la sierra o de condiciones o procedimientos de funcionamiento incorrectos y se puede evitar al tomar precauciones adecuadas, como las que se indican a continuación:

- **Agarre firmemente la sierra con las dos manos y ubique sus brazos para resistir la fuerza de retroceso. Ubique su cuerpo a cualquier lado de la hoja, pero no alineado con la misma.** Un retroceso puede provocar que la sierra salte hacia atrás, pero el operador puede controlar la fuerza de retroceso, si toma las precauciones correctas.
- **Cuando la hoja se atasque, o cuando interrumpa un corte por cualquier motivo, suelte el gatillo y sujete la sierra sin movimiento en el material hasta que la hoja se detenga por completo. Nunca intente retirar la sierra de la pieza ni jale la sierra hacia atrás mientras la hoja esté en movimiento ya que puede producirse un retroceso.** Investigue y tome acciones correctivas para eliminar la causa del atascamiento de la hoja.
- **Al volver a arrancar una sierra en la pieza de trabajo, centre la hoja de sierra en la entalladura y verifique que los dientes de la sierra no estén enganchados en el material.** Si la hoja de la sierra se atasca, puede elevarse o retroceder de la pieza de trabajo mientras la sierra vuelve a arrancar.

INFORMACIÓN DE SEGURIDAD

- **Apoye los paneles más grandes para minimizar el riesgo de que la hoja se apriete o**

! **sufra un retroceso. Los paneles más largos tienden a doblarse debido a su propio peso.** Los soportes deben colocarse bajo el panel a ambos lados: Bajo la línea de corte y cerca del borde del panel.

- **No utilice hojas desafiladas o dañadas.** Las hojas roma o mal instaladas generan una entalladura angosta, lo que provoca una fricción excesiva, atascamiento de la hoja y retroceso.
- **La profundidad de la hoja y las palancas de bloqueo del bisel deben estar apretadas y fijas antes de realizar un corte.** Si el ajuste de la hoja cambia durante un corte, puede provocar un atascamiento de la hoja o un retroceso.
- **Tenga extremada precaución al realizar un “corte con perforación” en paredes existentes u otras áreas ciegas.** La hoja sobresaliente puede entrar en contacto con objetos ocultos que pueden causar retroceso.

Instrucciones de seguridad para la protección de hoja inferior

- **Verifique que la protección inferior se cierre de forma adecuada antes de cada uso. No opere la sierra si la protección inferior no se mueve con facilidad ni cierra de forma instantánea. Nunca sujete ni amarre la protección inferior en una posición abierta. Si la sierra se cae accidentalmente, se puede torcer la protección inferior.** Levante la protección inferior con la manija de retracción y asegúrese de que se mueva con facilidad y no toque la hoja o alguna otra pieza, en todos los ángulos y todas las profundidades de corte.
- **Verifique el funcionamiento del resorte de la protección inferior. Si la protección y la hoja no funcionan de forma adecuada, se deben reparar antes de usar.** La protección inferior puede operar lentamente debido a piezas dañadas, depósitos de goma o una acumulación de desechos.
- **La protección inferior se debe retraer de forma manual solo para cortes especiales, como “cortes con penetración” y “cortes compuestos”. Levante la protección inferior con la manija de retracción y tan pronto la hoja ingrese en el material, se debe soltar la protección inferior.** Para todos los demás cortes, la protección inferior debería funcionar de forma automática.
- **Asegúrese siempre de que el protector inferior cubra la hoja antes de apoyar la sierra en el banco o el piso. Una hoja sin protección y en movimiento causará el retroceso de la sierra, cortando todo lo que se le cruce.** Tenga conocimiento del tiempo que la hoja tarda en detenerse luego de soltar el interruptor.

Advertencias de seguridad adicionales para sierras circulares

- a. Utilice siempre una mascarilla antipolvo
- b. Use solamente hojas de sierra recomendadas
- c. Use siempre protección para los oídos
- d. No use la sierra con ruedas abrasivas

PREPARACIÓN

Información acerca de la sierra circular

Antes de intentar utilizar la sierra circular, familiarícese con todas las funciones de operación y los requisitos de seguridad.

⚠ ADVERTENCIA

- Sea cuidadoso, incluso si está familiarizado con la sierra circular. Recuerde que un momento de descuido es suficiente para causar lesiones graves. Antes de intentar utilizar cualquier herramienta, asegúrese de familiarizarse con todas las funciones de operación e instrucciones de seguridad.
- No intente modificar esta herramienta ni crear accesorios que no sean los recomendados para esta. Cualquier alteración o modificación es considerada un mal uso y podría causar una condición peligrosa que podría conllevar lesiones personales graves.

INSTRUCCIONES DE FUNCIONAMIENTO

1. Paquete de baterías

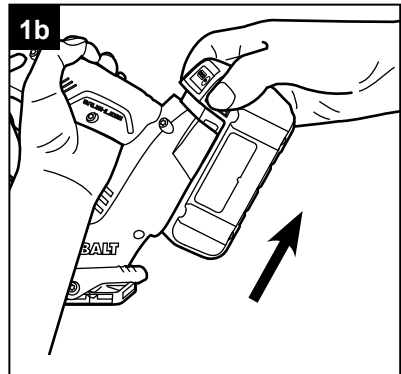
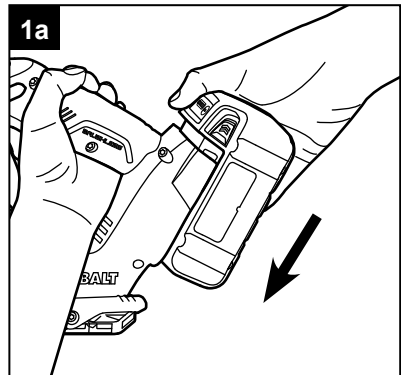
Colocación del paquete de baterías

- a. Asegúrese de que el interruptor de gatillo (D) esté en la posición "OFF" (apagado).
- b. Alinee la parte elevada del paquete de baterías con las ranuras de la parte inferior de la herramienta, luego deslice el paquete de baterías en la sierra, como se muestra.
- c. Asegúrese de que los pestillos del paquete de baterías encajen en su lugar y que el paquete de baterías esté fijo en la herramienta antes de comenzar la operación.

AVISO: Al colocar el paquete de baterías en la herramienta, asegúrese de que la varilla elevada del paquete de baterías se alinee con la ranura de la herramienta y que los pestillos encajen en su lugar adecuadamente. El ensamblaje inadecuado del paquete de baterías puede provocar daños a los componentes internos.

Extracción del paquete de baterías

- a. Asegúrese de que el interruptor de gatillo (D) esté en la posición "OFF" (apagado).
- b. Presione los botones de liberación de la batería para liberar el paquete de baterías.
- c. Jale el paquete de baterías hacia delante para retirar la batería de la herramienta.



INSTRUCCIONES DE FUNCIONAMIENTO

2. Interruptor de gatillo

- Para encender la sierra, presione el botón de bloqueo-apagado (B) y luego apriete el interruptor de gatillo (D).

⚠ ADVERTENCIA

- La hoja debe alcanzar velocidad plena antes de entrar en contacto con la pieza de trabajo.
- Para apagar la sierra, suelte el interruptor de gatillo y deje que la hoja se detenga por completo.

Freno eléctrico

Esta sierra circular está equipada con un freno eléctrico.

Cuando se suelta el interruptor de gatillo, el freno eléctrico se activa de manera automática para detener rápidamente la rotación.

3. Sistema protector de la hoja

La protección de hoja inferior (H) en la sierra circular está diseñada para brindar protección y seguridad al operador. No la modifique por ningún motivo.

Si la protección de hoja inferior se daña o si la hoja comienza a girar lentamente, NO opere la sierra hasta que se haya reparado o reemplazado la pieza dañada. SIEMPRE deje la protección en su posición de funcionamiento correcta al usar la sierra.

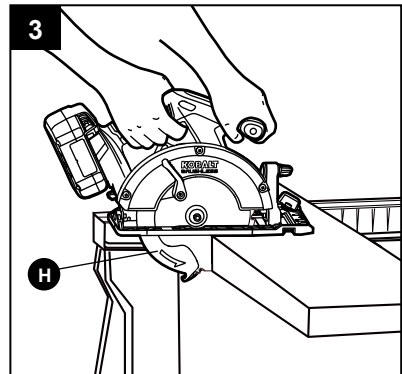
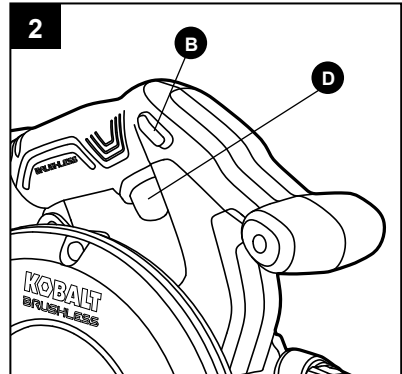
⚠ PELIGRO

- Al cortar a través de una pieza de trabajo, la protección de hoja inferior no cubre la hoja en la parte inferior de la pieza de trabajo. SIEMPRE mantenga las manos y el cuerpo alejados del área de corte. Se provocarán lesiones graves si cualquier parte del cuerpo entra en contacto con la hoja en movimiento.

⚠ ADVERTENCIA

- Para evitar posibles lesiones graves, nunca use la sierra cuando la protección de hoja inferior no funcione correctamente. Verifique el correcto funcionamiento de la protección de hoja inferior antes de cada uso. Debe moverse con facilidad y regresar instantáneamente a la posición cerrada. Si la sierra se cae, verifique que la protección de hoja inferior y el paragolpes no tengan daños en todos los ajustes de profundidad antes de usarla.

Si la protección de hoja inferior no encaja de forma cerrada en algún momento, llévela a un técnico de servicio autorizado para su reparación.



INSTRUCCIONES DE FUNCIONAMIENTO

4. Ajuste de la profundidad de corte

⚠ ADVERTENCIA

- Siempre mantenga el ajuste correcto de profundidad de la hoja.

El ajuste de profundidad de hoja correcto para todos los cortes no debe exceder el grosor del material que se corta en más de 1/4 pulg. (6,5 mm). Una profundidad de hoja mayor aumentará la posibilidad de retroceso y hará que el corte sea áspero.

- Retire el paquete de baterías de la sierra.
- Levante la palanca de bloqueo de profundidad (U) para liberarla.
- Sostenga el listoncillo de base (M) contra la pieza de trabajo y levante o baje la sierra hasta que la marca indicadora de la sierra se alinee con la profundidad deseada en la escala de profundidad (T).
- Baje la palanca de bloqueo de profundidad para bloquearla en su posición.

5. Ajuste del ángulo de corte

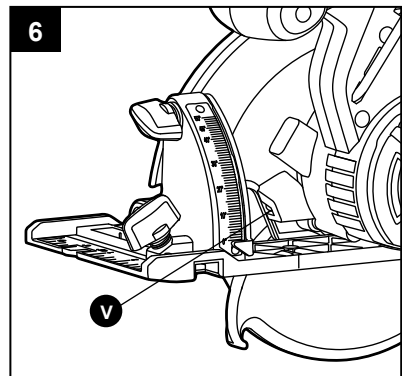
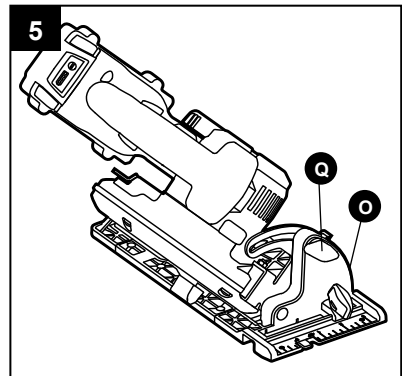
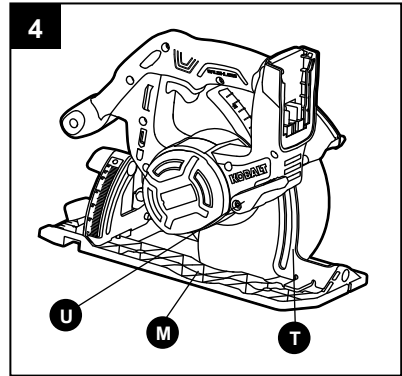
- Retire el paquete de baterías de la sierra.
- Suelte la perilla de bloqueo de biselado (Q), ubicada en la escala de biselado de 0° a 50° (O).
- Incline el cuerpo de la sierra hasta que la marca indicadora de la sierra se alinee con el ángulo requerido en la escala de ángulo del bisel.
- Apriete la perilla de bloqueo de biselado para fijar la sierra.

6. Luz de trabajo con bombilla LED

La sierra circular está equipada con una luz de trabajo con bombilla LED (V) que se iluminará cuando presione el interruptor de gatillo. Esto brinda más iluminación en la superficie de la pieza de trabajo para usar la herramienta en áreas con poca iluminación.

La luz de trabajo con bombilla LED se apagará cuando suelte el interruptor de gatillo.

- La luz de trabajo con bombilla LED titilará con rapidez si la herramienta deja de funcionar para proteger los circuitos internos; espere a que la herramienta se enfríe para que pueda volver a funcionar.
- La luz de trabajo con bombilla LED titilará más lento para indicar que el nivel de batería está muy bajo.

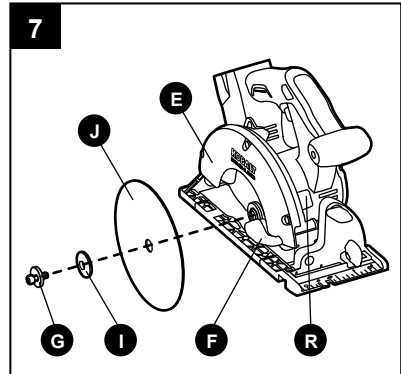


INSTRUCCIONES DE FUNCIONAMIENTO

7. Hojas de sierra

Las mejores hojas de sierra no cortarán lo suficiente si no se mantienen limpias, afiladas y ajustadas de forma adecuada. El uso de una hoja roma colocará una carga pesada en la sierra y aumentará el peligro de retroceso. Mantenga hojas adicionales a mano de forma que siempre disponga de hojas afiladas.

La goma y resina en las hojas disminuirán la velocidad de la sierra. Siga las instrucciones para retirar la hoja de la sierra, luego use un limpiador de goma y resina, agua caliente o queroseno para eliminar las acumulaciones.



⚠ ADVERTENCIA

- No use gasolina para limpiar la hoja.

Instalación de una hoja de sierra

- a. Retire el paquete de baterías de la sierra.
- b. Mantenga presionado el botón de bloqueo del husillo (R).
- c. Afloje el perno de la hoja (G) girándolo en dirección contraria a las manecillas del reloj con la llave para hoja (S) (incluida).
- d. Retire el perno de la hoja, arandela o brida externa (I).

⚠ ADVERTENCIA

- Si se ha retirado la brida interna, reemplácela antes de colocar la hoja en el husillo. Si no lo hace, la hoja no quedará apretada correctamente y puede causar lesiones personales graves.
- e. Use la palanca de protección de hoja (F) para retraer la protección de hoja inferior (H) en la protección de hoja superior (E).
 - f. Ajuste la hoja de sierra (J) dentro de la protección de hoja inferior y en el husillo. Verifique que los dientes de la sierra, la flecha en la hoja de la sierra y la flecha en el indicador de rotación en la protección de hoja apunten en la misma dirección.

AVISO: Los dientes de la sierra deben apuntar hacia arriba en la parte delantera de la sierra.

- g. Vuelva a colocar la brida de hoja externa con la sección sobresaliente apuntando hacia fuera.
- h. Mantenga presionado el botón de bloqueo del husillo y reemplace la arandela y el perno de la hoja.
- i. Apriete con firmeza el perno de la hoja girándolo en dirección de las manecillas del reloj con la llave para hoja.

AVISO: Nunca use una hoja demasiado gruesa para permitir que la brida de hoja externa se enganche con la sección plana del husillo.

⚠ ADVERTENCIA

- Para evitar lesiones corporales, siempre retire el paquete de baterías antes de instalar o retirar la hoja de la sierra.

INSTRUCCIONES DE FUNCIONAMIENTO

Retirar la hoja de la sierra.

- Retire el paquete de baterías de la sierra.
- Mantenga presionado el botón de bloqueo del husillo (R).
- Afloje el perno de la hoja (G) girándolo en dirección contraria a las manecillas del reloj con la llave para hoja (S).
- Retire el perno de la hoja y la brida de hoja externa (I).
- Levante el protector de hoja inferior (H) y luego retire la hoja (J).

8. Cómo cortar con la sierra circular

Consulte las figuras de esta sección para conocer la forma correcta e incorrecta de manipular la sierra.

⚠ ADVERTENCIA

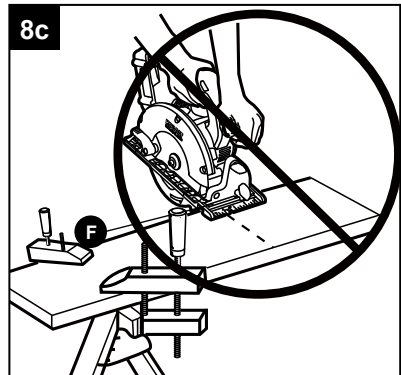
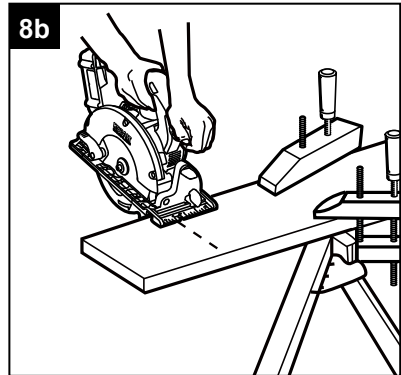
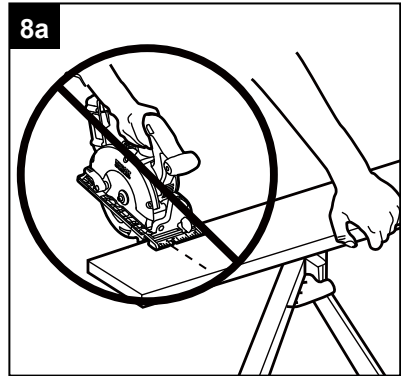
- Para que el uso de la sierra sea más fácil y seguro, siempre mantenga un control adecuado del producto. La pérdida de control puede provocar un accidente que cause posibles lesiones graves.

⚠ PELIGRO

- Al levantar la sierra de la pieza de trabajo, la hoja se expone en la parte inferior de la sierra hasta que se cierra la protección de hoja inferior (H). Asegúrese de que la protección de hoja inferior esté cerrada antes de apoyar la sierra.

Para lograr el mejor corte posible de la forma más segura, siga estos consejos útiles:

- Sostenga firmemente la sierra con ambas manos.
- Evite colocar su mano en la pieza de trabajo mientras realiza un corte (Fig. 8a).
- Apoye la pieza de trabajo de forma que el corte siempre esté al lado del operador y no directamente en línea con su cuerpo.
- Apoye la pieza de trabajo cerca del corte.
- Sujete la pieza de trabajo con firmeza de forma que no se mueva mientras realiza el corte (Fig. 8b).
- Siempre coloque la sierra en la parte de la pieza de trabajo que está apoyada y no en la pieza "de corte" (Fig. 8c).
- Coloque la pieza de trabajo con el lado "bueno" hacia abajo.
- Trace una línea de referencia a lo largo de la línea de corte deseada antes de comenzar el corte.

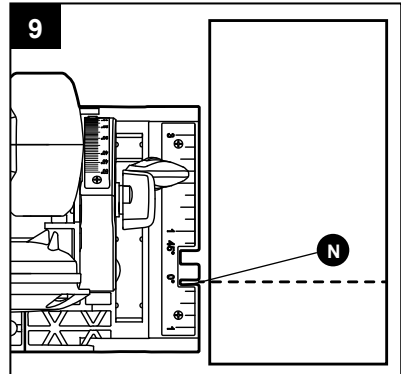


INSTRUCCIONES DE FUNCIONAMIENTO

9. Corte transversal/Corte al hilo

Al realizar un corte transversal o al hilo, alinee la línea de referencia con el corte con la ranura guía de la hoja en 90° (N) en el listoncillo de base (T). La distancia desde la hoja de la sierra hasta la base de la sierra es de aproximadamente 3-5/8 pulg. (9,2 cm) en el lado izquierdo de la sierra y 1-1/2 pulg. (3,7 cm) en el lado derecho.

Los grosores de las hojas varían, por lo que siempre debe realizar un corte de prueba en un material que no use a lo largo de una línea de referencia para determinar cuánto se debe compensar de la línea de referencia respecto de la guía para producir un corte preciso.



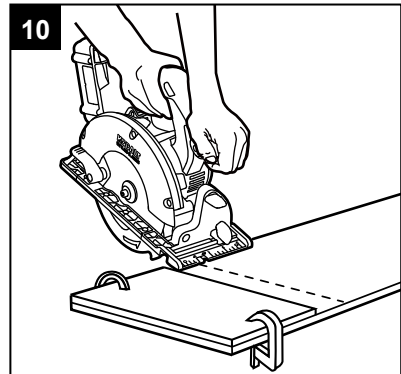
AVISO: Use una guía al realizar cortes al hilo largos o anchos.

10. Cortes al hilo con borde recto

- Asegure la pieza de trabajo.
- Fije un borde recto a la pieza de trabajo con abrazaderas en C (no incluidas).

AVISO: Coloque las abrazaderas en C de forma que no interfieran con la carcasa de la sierra durante el corte.

- Presione el botón de bloqueo-apagado (B) y presione el gatillo de interruptor (D) para arrancar la sierra.
- Permita que la hoja (J) alcance una velocidad plena, luego oriente la sierra hacia la pieza de trabajo y haga el corte.
- Corte a lo largo del borde recto para lograr un corte al hilo recto.
- Suelte el interruptor de gatillo y permita que la hoja se detenga por completo.
- Levante la sierra de la pieza de trabajo.

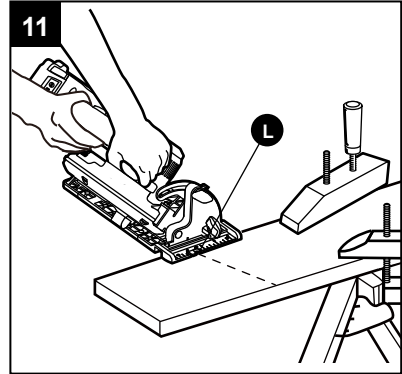


AVISO: No presione la hoja contra el corte.

INSTRUCCIONES DE FUNCIONAMIENTO

11. Corte biselado

- Retire el paquete de baterías.
- Ajuste el ángulo de corte a cualquier valor deseado entre 0° y 50° . Apriete con firmeza la perilla de bloqueo de biselado (Q).
- Reemplace el paquete de las baterías.
- Alinee la línea de corte con la ranura guía de la hoja en 45° (L) en la zapata de la base (M) al realizar cortes biselados en 45° .
- Realice un corte de prueba en un material que no use a lo largo de una línea de referencia para determinar cuánto se debe compensar de la línea de referencia en el material de corte.



ADVERTENCIA

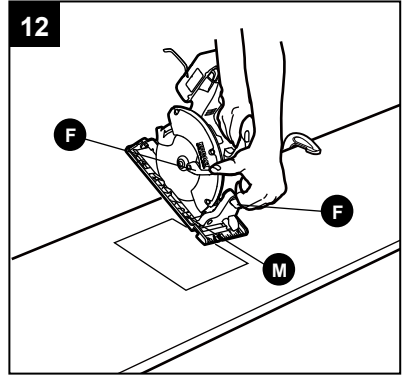
- Si intenta realizar un corte biselado sin tener la perilla de bloqueo de biselado trabada con firmeza en su lugar puede provocar lesiones graves.
- Sostenga firmemente la sierra con ambas manos, como se muestra.
 - Apoye el borde delantero de la zapata de base en la pieza de trabajo sin que la hoja haga contacto con la pieza de trabajo.
 - Arranque la sierra y permita que la hoja alcance velocidad plena.
 - Guíe la sierra hacia la pieza de trabajo y realice el corte.
 - Suelte el interruptor de gatillo y permita que la hoja se detenga por completo.
 - Levante la sierra de la pieza de trabajo.

INSTRUCCIONES DE FUNCIONAMIENTO

12. Corte de cavidades

! ADVERTENCIA

- Siempre ajuste el valor de biselado en 0° antes de realizar el corte de una cavidad. Si intenta cortar una cavidad en cualquier otro ajuste puede perder el control de la sierra y provocar posibles lesiones graves.
- a. Ajuste el valor del biselado en 0° y apriete la perilla de bloqueo del bisel (Q).
 - b. Coloque la hoja en la profundidad de corte correcto.
 - c. Mueva la protección de la hoja inferior hacia arriba (H) con la palanca de protección de hoja (F).
 - d. Sujete la protección de hoja inferior en su lugar con la palanca de protección de hoja.
 - e. Apoye la parte delantera de la zapata de la base (M) contra la pieza de trabajo, con la parte posterior de la misma levantada, de forma que la hoja (J) no toque la pieza de trabajo.
 - f. Presione el botón de bloqueo-apagado (B) y presione el gatillo de interruptor (D) para arrancar la sierra.
 - g. Permita que la hoja alcance la velocidad máxima y luego oriente la sierra hacia la pieza de trabajo y haga el corte.
 - h. Suelte el interruptor de gatillo y permita que la hoja se detenga por completo.
 - i. Levante la sierra de la pieza de trabajo.



! ADVERTENCIA

- Siempre corte hacia delante al cortar cavidades. Si corta en dirección inversa puede causar que la sierra se suba sobre la pieza de trabajo y retroceda hacia el operador.
- Cuando la hoja comience a cortar el material, suelte la palanca de protección de hoja de inmediato. Cuando la pata de la protección se apoye de forma plana sobre la superficie que desea cortar, comience a cortar hacia delante hasta el extremo del corte.
- Nunca amarre el protector de hoja inferior en posición levantada. Si deja la hoja expuesta se pueden provocar lesiones graves.

CUIDADO Y MANTENIMIENTO

- !** Todas las tareas de mantenimiento deben estar a cargo únicamente de un técnico de servicio calificado.

Limpieza

Antes de limpiar o realizar cualquier mantenimiento, retire el paquete de baterías de la sierra circular. Para un uso seguro y adecuado, siempre mantenga limpias la herramienta y sus ranuras de ventilación.

Siempre use un paño suave y seco para limpiar la sierra circular; nunca use detergente ni alcohol.

SOLUCIÓN DE PROBLEMAS



ADVERTENCIA

- Coloque el interruptor en la posición "OFF" (Apagado) y retire el paquete de baterías de la sierra circular antes de realizar procedimientos de solución de problemas.

PROBLEMA	CAUSA POSIBLE	ACCIÓN CORRECTIVA
La sierra circular no funciona.	La batería está agotada.	Cargue la batería
La hoja se atasca o quema la madera.	<ol style="list-style-type: none">1. Funcionamiento inadecuado.2. Hoja roma.3. Hoja inadecuada.	<ol style="list-style-type: none">1. Consulte la sección "INSTRUCCIONES DE FUNCIONAMIENTO".2. Reemplace o afile la hoja.3. Reemplace la hoja.
La sierra vibra o se agita.	<ol style="list-style-type: none">1. Hoja inadecuada.2. Funcionamiento de la hoja instalada de forma incorrecta.	<ol style="list-style-type: none">1. Reemplace la hoja.2. Retire la hoja y vuelva a instalarla, asegúrese de que no falte ninguna pieza.
La luz de trabajo con bombilla LED titila con rapidez.	La herramienta ha dejado de funcionar para proteger los circuitos internos.	Suelte el interruptor de gatillo, espere a que la herramienta se enfríe y luego enciéndala de nuevo.
La luz de trabajo con bombilla LED titila con lentitud.	El nivel de batería está muy bajo.	Cargue la batería.

GARANTÍA

La sierra circular está garantizada contra defectos de fabricación en materiales y mano de obra por 5 años desde la fecha de compra para el comprador original. La garantía no cubre daños producidos por abuso, desgaste normal, mantenimiento inapropiado, negligencia, alteración o reparación no autorizada o piezas fundibles y accesorios que se esperan que sean inutilizables después de un período de uso razonable.

Si cree que este producto cumple con la garantía mencionada con anterioridad, devuelva el producto al lugar donde lo compró con un comprobante de compra válido y el producto defectuoso se reparará o reemplazará sin cargo. Esta garantía le otorga derechos legales específicos, pero también podría tener otros derechos que varían según el estado.