

ITEM #0303068

styleselections®

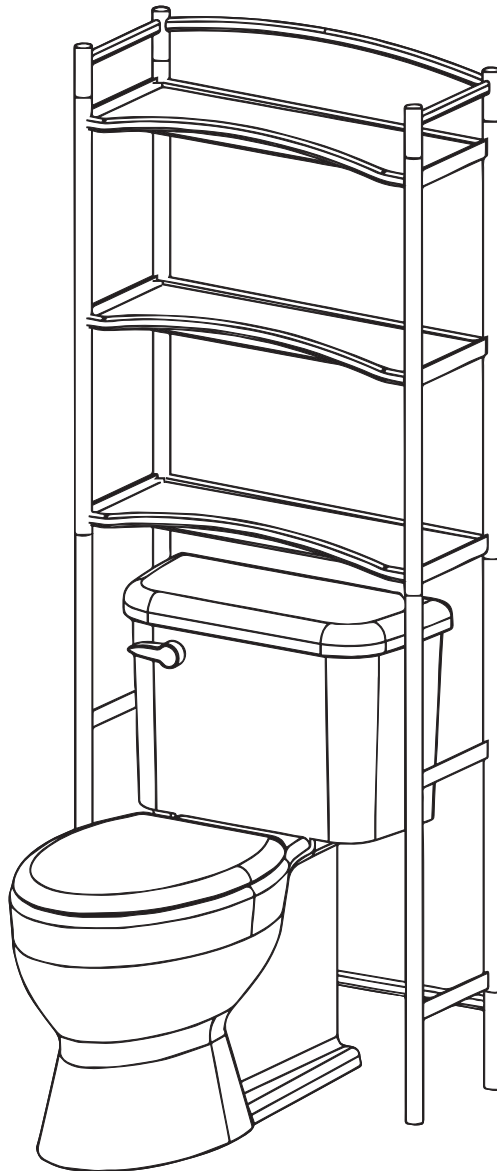
Style Selections® is a registered trademark of LF, LLC. All rights reserved.

OVER-THE-TOILET SHELF TOWER

MODEL #9070BNMV

Français p. 8

Español p. 15



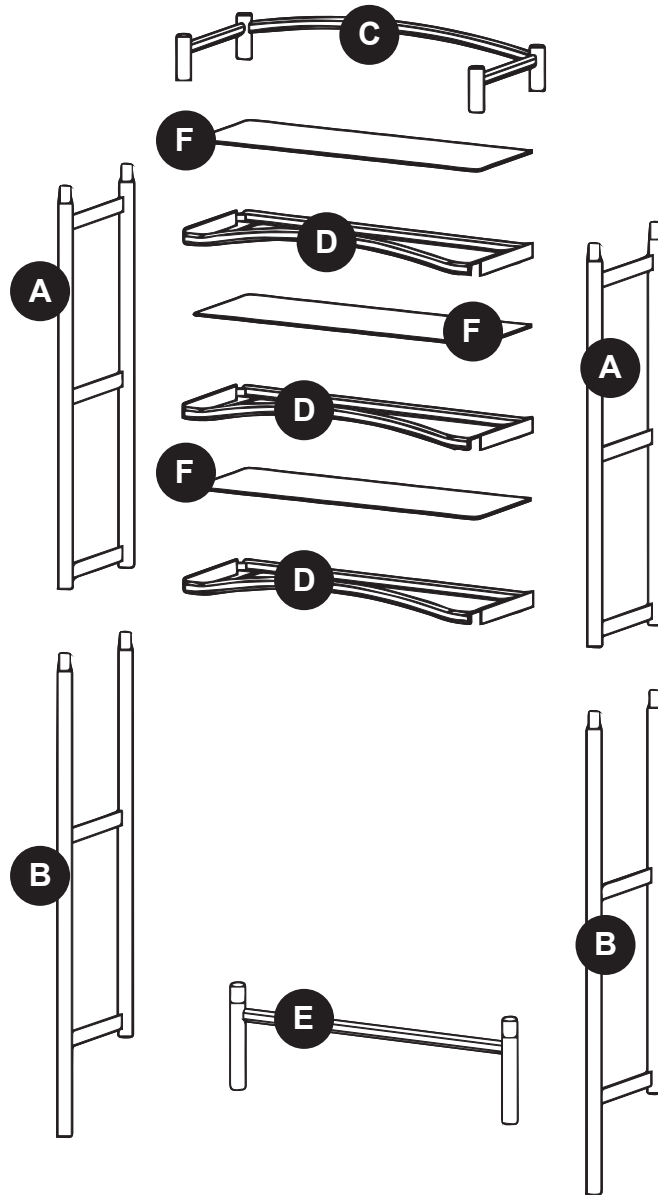
ATTACH YOUR RECEIPT HERE

Serial Number _____ Purchase Date _____



Questions, problems, missing parts? Before returning to your retailer, call our customer service department at 1-877-888-8225, 8 a.m. - 8 p.m., EST, Monday - Friday.

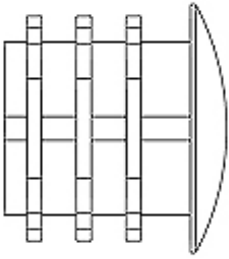
PACKAGE CONTENTS



PART	DESCRIPTION	QUANTITY
A	Top Side	2
B	Bottom Side	2
C	Top Piece	1
D	Shelf	3
E	Bottom Brace	1
F	Glass Shelf	3

HARDWARE CONTENTS (shown actual size)

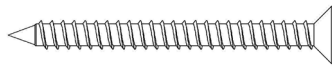
AA



Tube
Cap

Qty. 8

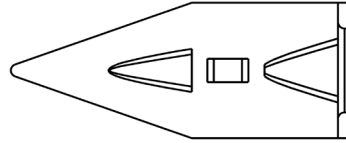
BB



Mounting
Screw

Qty. 2

CC



Wall
Anchor

Qty. 2

DD



Rubber
Bumper

Qty. 12



SAFETY INFORMATION

Please read and understand this entire manual before attempting to assemble, operate or install the product.

- Before cutting, drilling or hammering into any wall surface, verify the location of electrical, plumbing and gas lines. Cutting any of these may cause serious injury. If needed, contact your electrician, plumber or service person.

PREPARATION

Before beginning assembly of product, make sure all parts are present. Compare parts with package contents list and diagram above. If any part is missing or damaged, do not attempt to assemble or install the product.

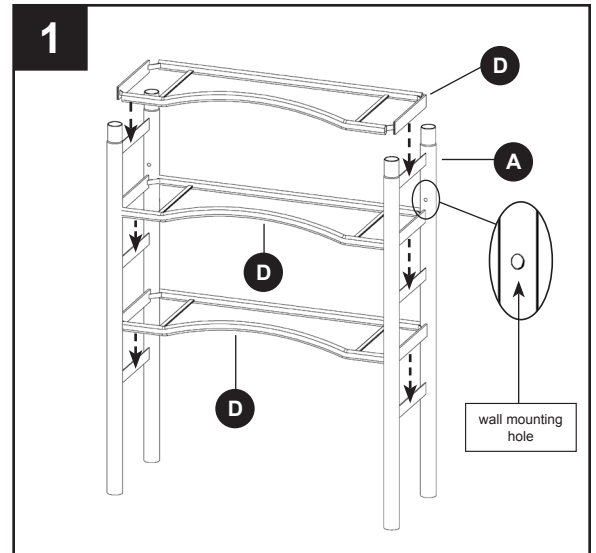
Estimated Assembly Time: 20 minutes *(with the assistance of another person)*

Tools Required for Mounting (not included): Phillips Screwdriver and Hammer

ASSEMBLY INSTRUCTIONS

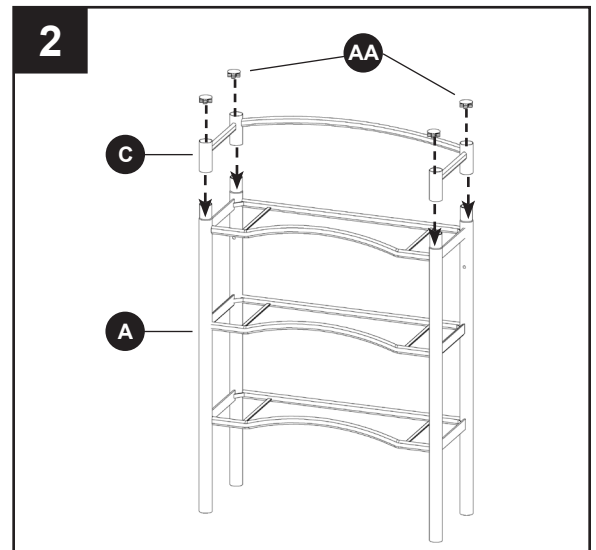
1. With the tapered ends of the top sides (A) pointing up, slide shelves (D) onto the top sides (A).

NOTE: Shelves can be oriented with the curved tube in the front or the back. Note the location of the mounting hole on top sides (A).



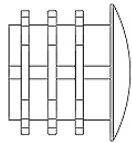
2. Insert tube caps (AA) into top piece (C).

Slide the top piece (C) onto the tapered ends of top sides (A)



Hardware Used

AA Tube Cap



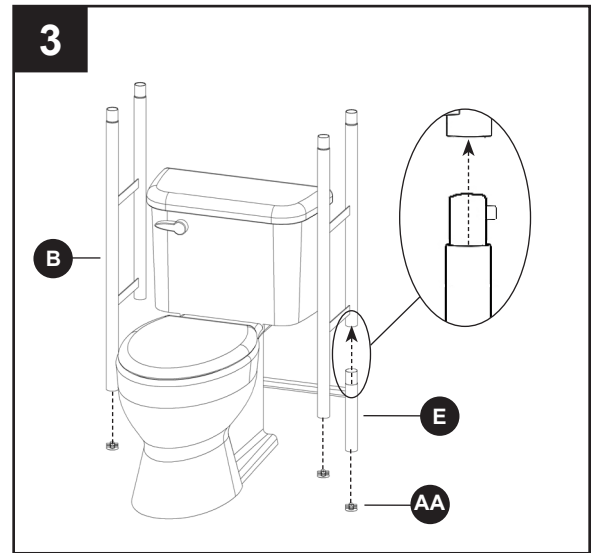
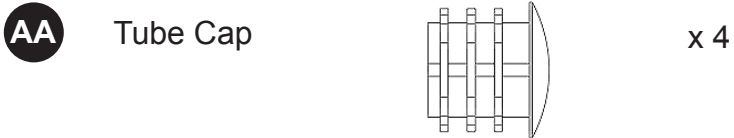
x 4

ASSEMBLY INSTRUCTIONS

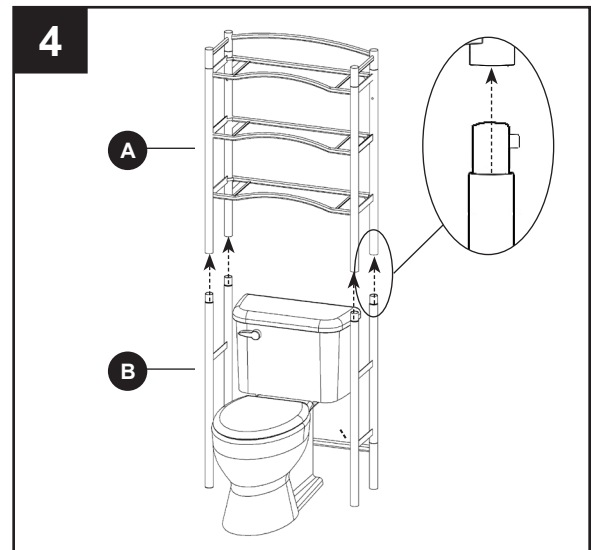
3. Insert tube caps (AA) into to bottom brace (E) and bottom sides (B).

Place unit in final location. place the untapered end of bottom sides (B) into the tapered end of the bottom brace (E) and snap into place by pushing the preinstalled buttons on the bottom brace (B).

Hardware Used



4. Place the tapered end of bottom sides (B) into the untapered end of the top sides (A) and snap into place by pushing the preinstalled buttons on the bottom sides (B).



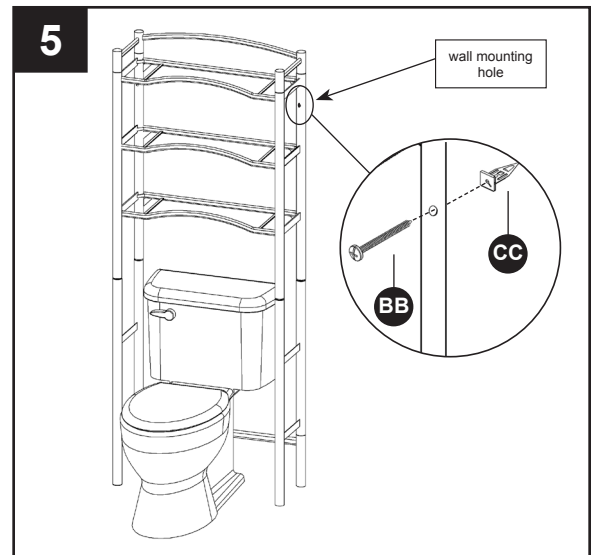
ASSEMBLY INSTRUCTIONS

5. Mark the locations of the mounting holes on the wall, then set aside assembly. If you are not installing the product to studs, hammer wall anchors (CC) into the wall at marked locations.

NOTE: Wall anchors (CC) should be oriented with the flat side horizontal.

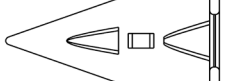
For stud installations, drill 5/64 in. pilot holes at marked locations.

Place assembly back against wall and insert mounting screws (BB) into wall anchors (CC) or into drilled holes.



Hardware Used

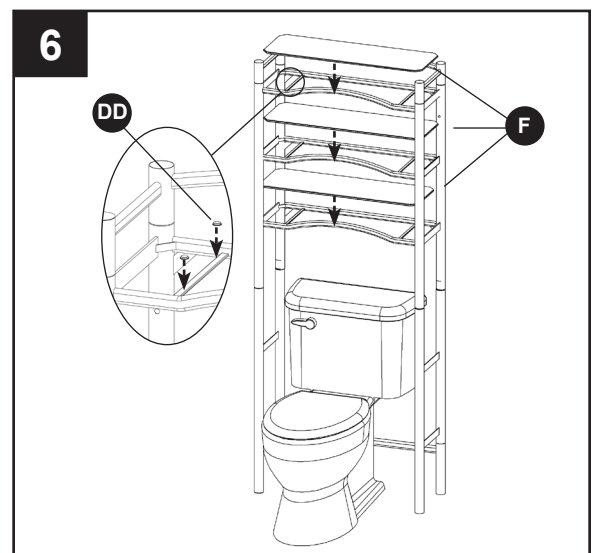
BB Mounting Screw  x 2

CC Wall Anchor  x 2

6. Place rubber bumpers (DD) on the support of shelves. Place the glass shelves (F) onto the shelves.

Hardware Used

DD Rubber Bumper  x 12



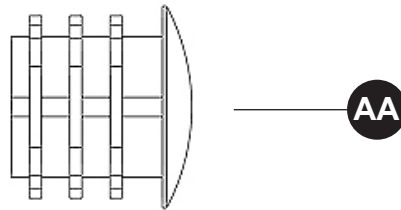
CARE AND MAINTENANCE

Cleaning with a dry cloth may be sufficient, but for other stains or marks wipe gently with a damp cloth. DO NOT use strong detergents or abrasive cleaners; they may damage the surface of the product.

REPLACEMENT PARTS LIST

For replacement parts, call our customer service department at 1-877-888-8225, 8 a.m. - 8 p.m., EST, Monday - Friday.

PART	DESCRIPTION	PART #
AA	Tube Cap	L9070BNTC
F	Glass Shelf	L9070BNSH



Printed in China

Style Selections® is a registered trademark of LF, LLC. All rights reserved.