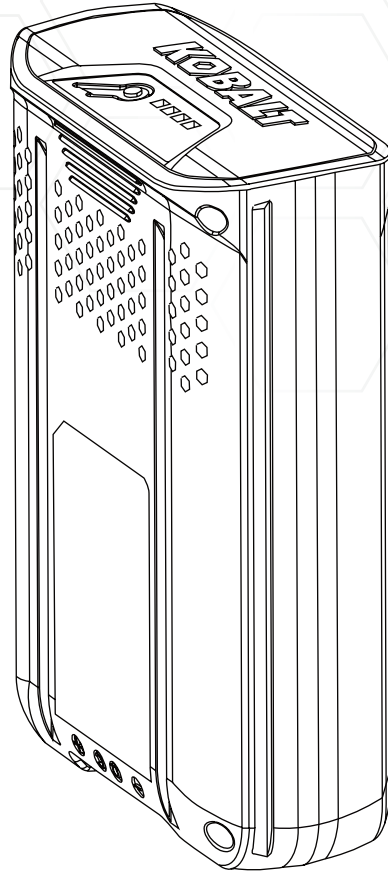


KOBALT™



40V MAX 2.5 AH LITHIUM-ION BATTERY

MODEL #KB 245-06

Español p. 7

ATTACH YOUR RECEIPT HERE

Serial Number _____ Purchase Date _____

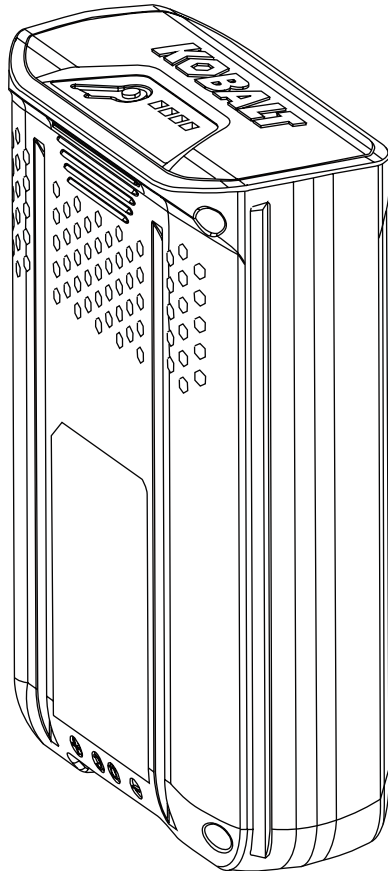


Questions, problems, missing parts? Before returning to your retailer, call our customer service department at **1-888-3KOBALT** (1-888-356-2258), 8 a.m. - 8 p.m., EST, Monday - Friday.

PRODUCT SPECIFICATIONS

COMPONENTS	SPECIFICATIONS
Battery	40 V Lithium-Ion 2.5Ah
Model No.	KB 245-06
Output	40 V max. 90wh
Charging Voltage	42 V DC Max
Standard Charging Current	2 A
Charging Time	75 min.

PACKAGE CONTENTS



A

PART	DESCRIPTION	QUANTITY
A	Battery	1



SAFETY INFORMATION

For the proper use, maintenance and storage of this battery, it is important that you read and understand the instructions given in this manual.

To avoid serious injury, risk of fire, explosion, and danger of electric shock or electrocution:

- For use only with Kobalt 40V Charger (MODEL #KRC 60-06).
- When using in direct sunshine, keep out of water and don't expose to rain.
- Store indoors and do not expose to rain or water. Avoid direct sunlight.
- When charging, make sure ambient temperature is between 32-104°F (0-40°C).
- Do not probe the charger with conductive materials. The charging terminals hold 120 V.
- If the battery case is cracked or damaged, do not insert into the charger. Replace with a new battery.
- Do not charge these batteries with any other type of charger.
- Do not allow liquid inside the charger.
- Do not try to use the charger for any other purpose than what is presented in this manual.
- Do not try to short circuit any terminals of battery.



WARNING

If the battery fluid gets in eyes, flush immediately with clean water for at least 15 minutes. Get immediate medical attention. Do not charge the battery in rain or in wet conditions. Do not immerse the tool, battery, or charger in water or other liquid.

- Do not allow the battery or charger to overheat. If they are warm, allow them to cool down. Re-charge only at room temperature.
- Do not cover the ventilation slots on the top of the charger. Do not set the charger on a soft surface, i.e. blanket, pillow. Keep the ventilation slots of the charger clear.
- Do not allow small metal items or material such as steel wool, aluminum foil, or other foreign particles into the charger cavity.
- Unplug the charger before cleaning and when there is no battery in the charger.
- Do not place the battery in the sun or in a warm environment. Keep at normal room temperature.
- Do not try to connect two chargers together.
- Keep in shady, cool and dry conditions.
- If the battery is not charged for a long time, charge the battery for 2 hours every 2 months.
- The battery cells may develop a small leak under extreme usage or temperature conditions. If the outer seal is broken and the leakage gets on your skin:
 - Use soap and water to wash immediately.
 - Neutralize with lemon juice, vinegar, or other mild acid.
 - If leakage gets in your eyes, follow instructions above and seek medical attention.

Safety notes and precautions

- Do not disassemble and do not dispose of in fire.
- Keep away from children.
- Do not expose the battery to water or salt water.
- Battery should be stored in a cool and dry location.
- Do not place the battery in high-temperature locations, such as near fire, heater, etc.
- Do not reverse the positive terminal and the negative terminal of the battery.
- Do not connect the positive terminal and the negative terminal of the battery to each other with any metal objects.
- Do not knock, strike, or step on the battery.
- Do not solder directly onto the battery and pierce the battery with nails or other sharp objects.

SAFETY INFORMATION

- Risk of fire and burns. Do not open, crush, heat above 212°F (100°C) or incinerate. Follow manufacturer's instructions.
- In the event that the battery leaks and the fluid gets into one's eye, do not rub your eyes. Rinse well with water.
- Immediately discontinue use of the battery, if, while using the battery, it emits an unusual smell, feels hot, changes color, changes shape, or appears abnormal in any other way.

WARNING

To avoid risk of fire, electric shock, or electrocution:

- Do not use a damp cloth or detergent on the battery or battery charger.
- Always remove the battery before cleaning, inspecting, or performing any maintenance on the tool.

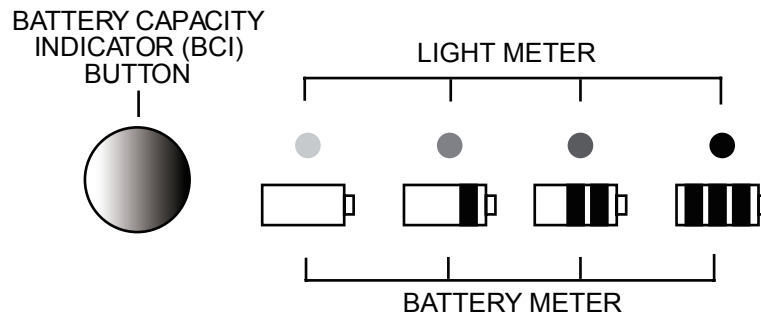
Storage tips:

- Make sure the battery is fully charged and that the charger is disconnected before storing.
- Do not store the battery in sunlight, in an excessively warm place, or near a furnace. The battery-life will be shortened.
- If the battery must be stored in a warm place, charge it frequently.

OPERATING INSTRUCTIONS

Checking battery capacity

Press the battery capacity indicator (BCI) button. The lights will illuminate according to the battery's capacity level. See chart below:



LIGHTS	CAPACITY
4 Green Lights	The battery is at full capacity
3 Green Lights	The battery is at 70% capacity
2 Green Lights	The battery is at 45% capacity
1 Green Light	The battery is at 10% capacity and requires charging soon
Lights go out	The battery is under 10% capacity and requires charging immediately

CARE AND MAINTENANCE

WARNING

In order to avoid personal injury and the risk of fire and electric shock, remove the battery before adjusting, inspecting, or cleaning the battery.

Cleaning

1. Remove the battery

- Brush or blow dust and debris out of the air vents using compressed air or a vacuum. Keep the air vents free of obstructions, sawdust, and wood chips. Do not spray, wash, or immerse the air vents in water.
- Wipe off the housing and the plastic components using a dry soft cloth. Do not use strong solvents or detergents on the plastic housing or plastic components. Certain household cleaners may cause damage and may cause a shock hazard.

2. Battery

- Fully charge the battery.
- Once the charging light turns green, remove the battery from the charger and disconnect the charger from the outlet.
- After charging, the battery may be stored in the charger as long as the charger is not plugged in.

CAUTION

Do not use strong solvents or detergents on the plastic housing or plastic components. Certain household cleaners may cause damage and may also cause a shock hazard.

ENVIRONMENTALLY SAFE BATTERY DISPOSAL



The following toxic and corrosive materials are in the batteries: lithium-ion, a toxic material.

WARNING

- All toxic materials must be disposed of in a specified manner to prevent contamination of the environment. Before disposing of damaged or worn out lithium-ion batteries, contact your local waste disposal agency or the local Environment Protection Agency for information and specific instructions. Take the batteries to a local recycling and/or disposal center, certified for lithium-ion disposal.
- If the battery cracks or breaks, with or without leaks, do not recharge it and do not use. Dispose of it and replace with a new battery. Do not attempt to repair it! To avoid injury and risk of fire, explosion, or electric shock, and to avoid damage to the environment:
 - Cover the battery's terminals with heavy-duty adhesive tape.
 - Do not attempt to remove or destroy any of the battery components.
 - Do not attempt to open the battery.
 - If a leak develops, the released electrolytes are corrosive and toxic. Do not get the solution in the eyes or on skin, and do not swallow it.
 - Do not place these batteries in your regular household trash.
 - Do not incinerate and do not place them where they will become part of any waste landfill or municipal solid waste stream.
 - Take them to a certified recycling or disposal center.

WARRANTY

Kobalt battery

3-YEAR LIMITED WARRANTY

This Kobalt battery is warranted to the original purchaser from the original purchase date for three (3) years subject to the warranty coverage described herein.

This Kobalt battery is warranted for the original user to be free from defects in material and workmanship.

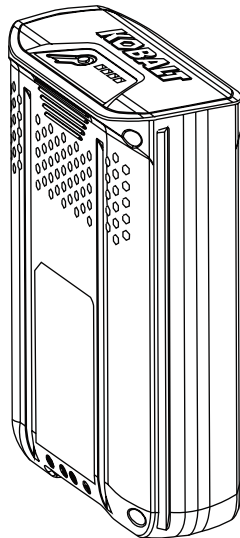
If you believe that the Kobalt battery is defective at any time during the specified warranty period, simply return the Kobalt battery along with proof of purchase to the place of purchase for a free replacement or refund.

This warranty is void if: Defects in materials or workmanship or damages result from repairs or alterations which have been made or attempted by others or the unauthorized use of nonconforming parts; the damage is due to normal wear, damage is due to abuse (including overloading of the tool beyond capacity), improper maintenance, neglect or accident; or the damage is due to the use of the tool after partial failure or use with improper accessories or unauthorized repair or alteration.

The warranty gives you specific legal rights, and you may also have other rights that vary from state to state.

REPLACEMENT PARTS LIST

For replacement parts, call our customer service department at **1-888-3KOBALT** (1-888-356-2258), 8 a.m. - 8 p.m., EST, Monday - Friday.



A

PART	DESCRIPTION	PART #
A	Battery	2903603

Printed in China