

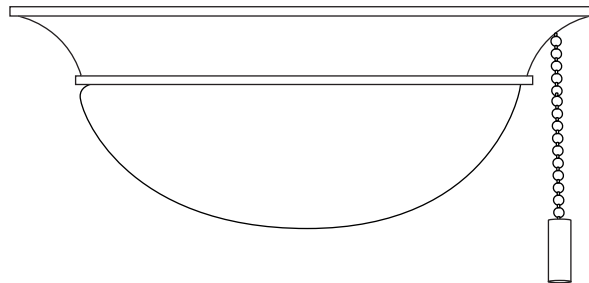


ITEM #1100336

CEILING FAN LIGHT KIT

MODEL #LED-WNWZ

Español p. 10



ATTACH YOUR RECEIPT HERE

Purchase Date _____



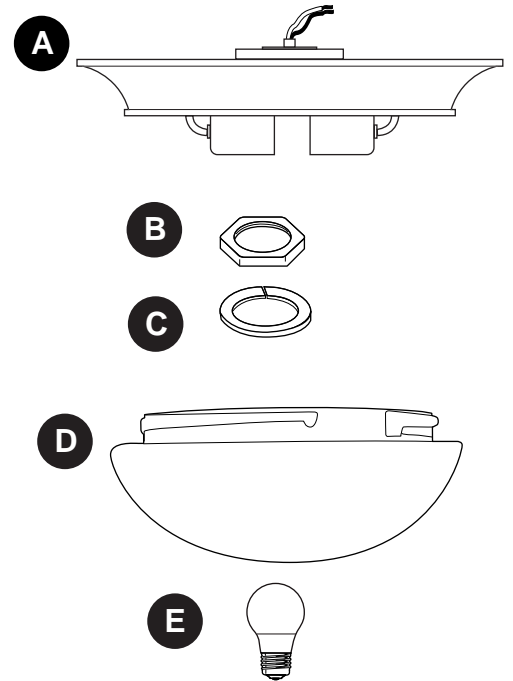
**Intertek
For
Damp Location**



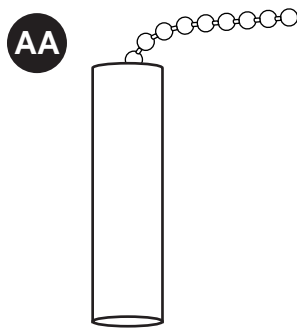
Questions, problems, missing parts? Before returning to your retailer, call our customer service department at **1-800-643-0067**, 8 a.m. - 6 p.m., EST, Monday - Thursday, 8 a.m. - 5 p.m., EST, Friday.

PACKAGE CONTENTS

PART	DESCRIPTION	QUANTITY
A	Light Kit Fitter	1
B	Hex Nut (preassembled to light kit fitter (A))	1
C	Lock Washer (preassembled to light kit fitter (A))	1
D	Glass Shade	1
E	Bulb	2



HARDWARE CONTENTS (shown actual size)



Pull Chain
Extension

Qty. 1

SAFETY INFORMATION

READ AND SAVE THESE INSTRUCTIONS.

DANGER

- For your protection and safety, carefully read and understand the information provided in this manual completely before attempting to assemble, install or operate this product. Failure to do so could lead to electrical shock, fire or other injuries that could be hazardous or even fatal.
- DO NOT connect this fixture to an electrical system that does not provide a means for equipment grounding. Never use a fixture in a two-wire system that is not grounded. Installing a fixture into an electrical system not having a proper grounding means could cause metal parts of the fixture to carry electrical currents if any of the fixture wires, wire connections or splices were to become broken, cut or loose during the mounting or normal operation of the fixture. Under this condition, anyone coming in contact with the fixture would be subject to electrical shock, which could cause serious injury or death.

SAFETY INFORMATION

DANGER

- DO NOT connect the bare or green insulation fixture ground wire to the black (HOT) current-carrying wire or the white neutral house wire. Connection of the bare or green fixture ground wire to the black or white house wires may cause metal parts of the fixture to carry electrical currents. Under this condition, anyone coming in contact with the fixture will receive electrical shock, which could cause serious injury or death.
- DO NOT damage or cut the wire insulation (covering) during installation of fixture. DO NOT permit wires to contact any surface having a sharp edge. To do so may damage or cut the wire insulation, which could cause serious injury or death from electrical shock.

WARNING

- All electrical connections must be in agreement with local codes and ordinances, the National Electric Code (NEC) and ANSI/NFPA 70-1999. Contact your municipal building department to learn about your local codes, permits and/or inspections. Risk of fire - most dwellings built before 1985 have supply wire rated for 140°F. Consult a qualified electrician before installation.
- To avoid personal injury, the use of gloves may be necessary while handling fixture parts with sharp edges.
- DO NOT suspend any fixture by the house wires. A fixture must always be mounted directly to a ceiling fan that is mounted directly to an outlet box. Wire connectors will not support the weight of a fixture. Suspending a fixture by the house wires and wire connectors will result in the fixture falling, with the possibility of personal injury and the danger of electrical shock or fire.
- To reduce the risk of fire, electrical shock or personal injury, wire connectors provided with this light fixture are designed to accept only one 18-gauge house wire and two lead wires from the light fixture. If your house wire is larger than 18-gauge or there is more than one house wire to connect to the corresponding fixture lead wires, consult an electrician for the proper size wire connectors to use.
- **NOTE:** This equipment has been tested and found to comply with the limits for a Class B digital device, pursuant to Part 15 of the FCC Rules. These limits are designed to provide reasonable protection against harmful interference in a residential installation. This equipment generates, uses and can radiate radio frequency energy and, if not installed and used in accordance with the instructions, may cause harmful interference to radio communications. However, there is no guarantee that interference will not occur in a particular installation. If this equipment does cause harmful interference to radio or television reception, which can be determined by turning the equipment off and on, the user is encouraged to try to correct the interference by one or more of the following measures:
 - * Reorient or relocate the receiving antenna.
 - * Increase the separation between the equipment and receiver.
 - * Connect the equipment into an outlet on a circuit different from that to which the receiver is connected.
 - * Consult the dealer or an experienced radio/TV technician for help.

CAUTION

- TURN OFF ELECTRICITY at main fuse box (or circuit breaker box) before beginning installation by removing the fuse (or switching the circuit breaker off).

SAFETY INFORMATION

CAUTION

- If you are not sure the lighting system has a grounding means, DO NOT attempt to install this fixture. Contact a qualified, licensed electrician for information regarding the proper grounding methods as required by the local electrical code in your area.
- All fixtures must be mounted to a ceiling fan that is mounted to an outlet box supported by the building structure.
- DO NOT use bulbs having a wattage greater than the maximum value stated on the fixture. The use of bulbs with higher wattage than specified will increase temperatures and risk of fire.
- If a dimmer control switch is used with this fixture, obtain professional advice to determine the correct type to use as well as the electrical rating required.

PREPARATION

Before beginning assembly of product, make sure all parts are present. Compare parts with package contents list and hardware contents list. If any part is missing or damaged, do not attempt to assemble the product.

Estimated Assembly Time: 60 minutes

Tools Required for Assembly (not included): Flathead Screwdriver, Phillips Screwdriver, Wire Strippers, Pliers, Wire Cutters, Safety Glasses, Stepladder, Electrical Tape

Required for Assembly (included with fan): Wire Connectors

Helpful Tools (not included): A/C Tester Light, Do-It-Yourself Guide, Soft Cloth


ASSEMBLY INSTRUCTIONS

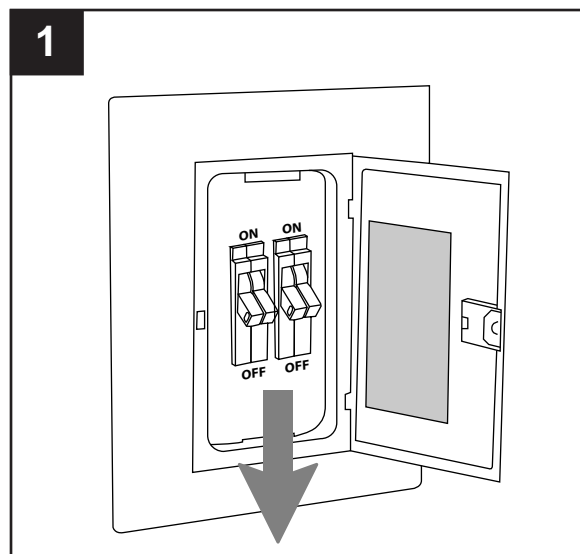
The total weight of the light kit is less than 8 lbs.

CAUTION: To reduce the risk of fire or electric shock, this light kit fitter (A) should only be used with the compatible ceiling fan models (sold separately) listed below:

WCK52NWZ5D, WCK52NWZ5N, WCK52MWW5P, WCK52MWW5NB, WCK52ABZ5P,
WCK52ABZ5NB, WCK44NWZ5L1

1. Turn off circuit breakers and wall switch to the fixture supply line leads.

 **DANGER:** Failure to disconnect power supply prior to installation may result in serious injury or death.



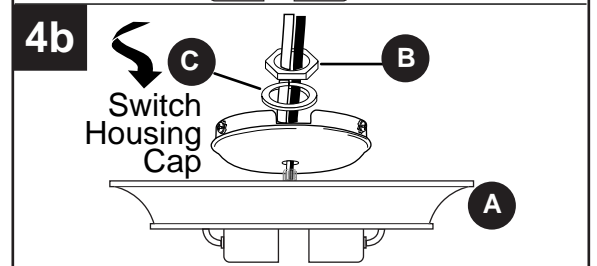
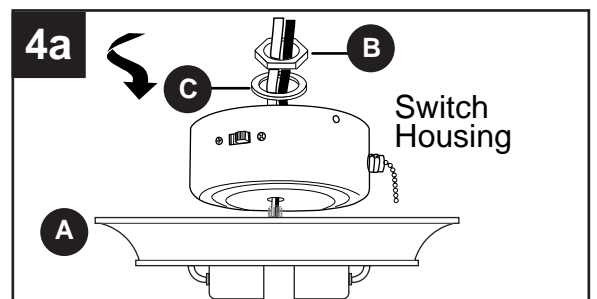
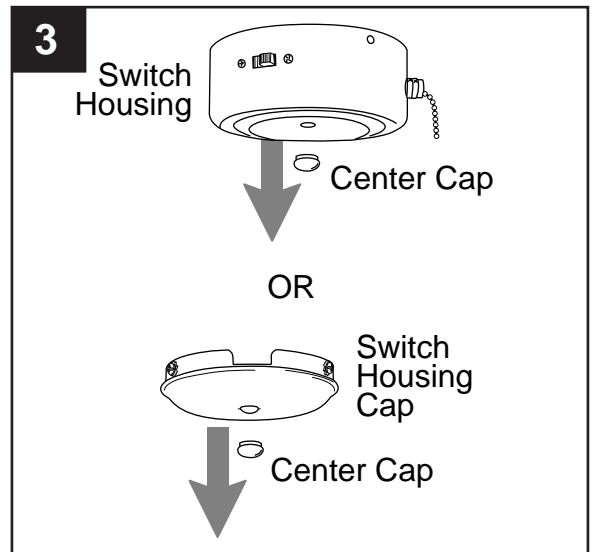
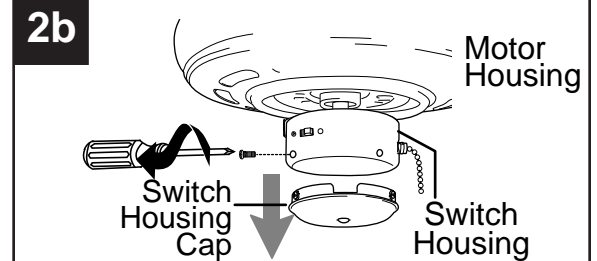
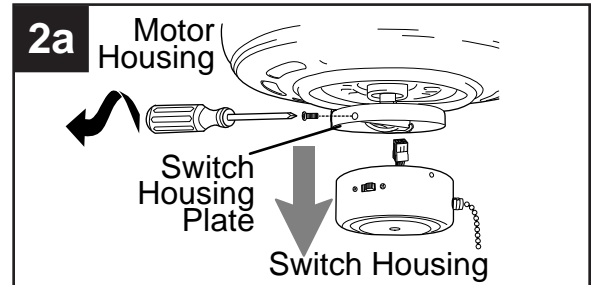
ASSEMBLY INSTRUCTIONS

2a. Remove three switch housing screws and lower switch housing from ceiling fan. [If fan has a switch housing cap, proceed to 2b.] If applicable, disconnect male plug from motor housing and female plug from switch housing. Remove switch housing from switch housing plate.

2b. Remove three switch housing screws at the bottom of the switch housing and remove the switch housing cap.

3. Punch center cap out of switch housing or switch housing cap with a screwdriver (not included).

4. Remove hex nut (B) and lock washer (C) from threaded rod on light kit fitter (A). Gently feed wires from light kit fitter (A) through hole in middle of switch housing (see 4a) or switch housing cap (see 4b) followed by lock washer (C) and hex nut (B). Tighten hex nut (B) over lock washer (C) for a secure fit.



ASSEMBLY INSTRUCTIONS

- 5a. Remove wire connectors from WHITE and BLUE (or BLACK) wires labeled FOR LIGHT in switch housing. Connect WHITE wire from light kit fitter (A) to WHITE wire from fan. Connect BLACK wire from light kit fitter (A) to BLUE (or BLACK) wire from fan. Use wire connectors that were previously removed to make the connections.

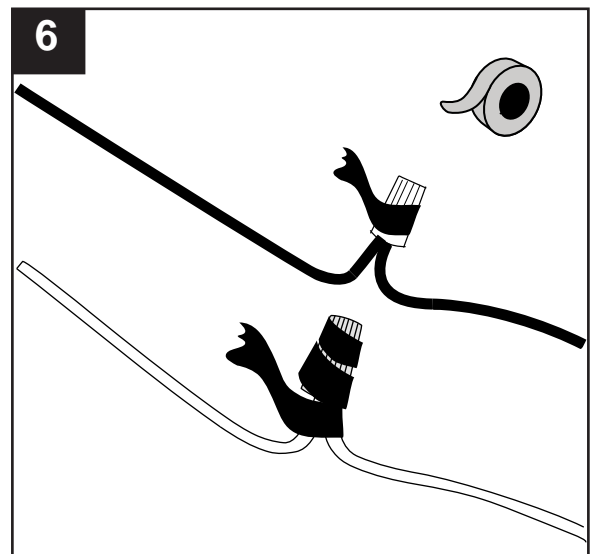
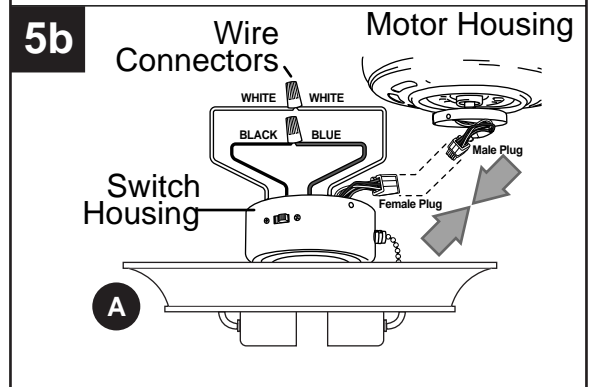
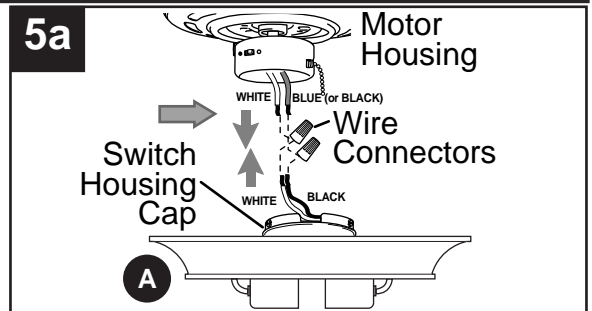
⚠ WARNING: To reduce the risk of fire, electrical shock, or personal injury, each wire connector used with this light kit should accept only one 18-gauge wire from the light kit and one 18-gauge wire from the ceiling fan. If there are three or more wires to connect or any of the wires is larger than 18-gauge, consult an electrician for the proper size wire connectors to use.

NOTE: Screw wire connectors on in a clockwise direction.

- 5b. If applicable, re-connect male plug from motor housing to female plug from switch housing. Be sure that plugs connect securely.

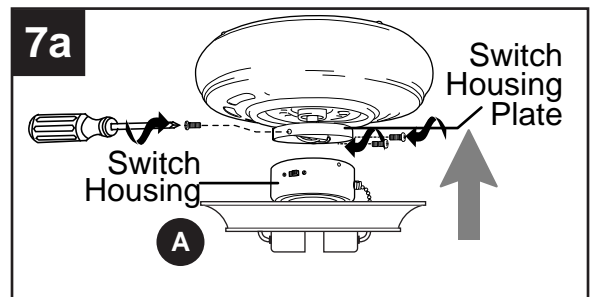
6. Wrap electrical tape (not included) around each individual wire connector down to the wire.

⚠ WARNING: Make sure no bare wire or wire strands are visible after making connections.

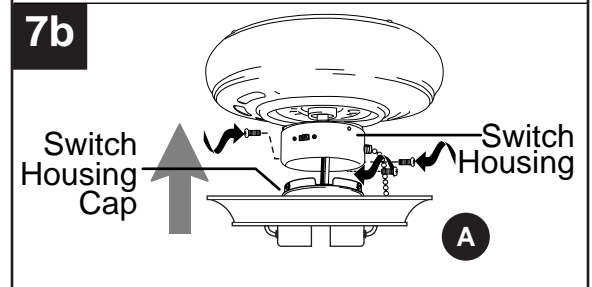


ASSEMBLY INSTRUCTIONS

7a. Align three holes in switch housing with three holes in switch housing plate. [To re-attach switch housing cap, proceed to Step 7b.] Re-attach switch housing with three screws previously removed (Step 2a, page 5). Tighten all screws securely.

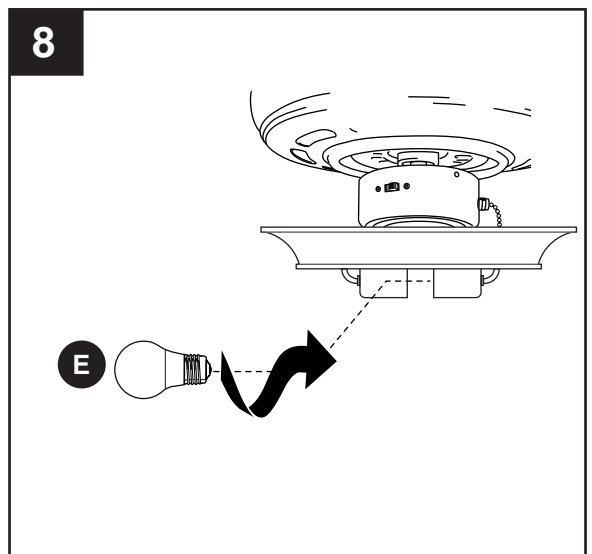


7b. Align holes in switch housing cap with holes at bottom of switch housing. Re-attach switch housing cap with three screws previously removed (Step 2b, page 5). Tighten all screws securely.



8. Install bulbs (E).

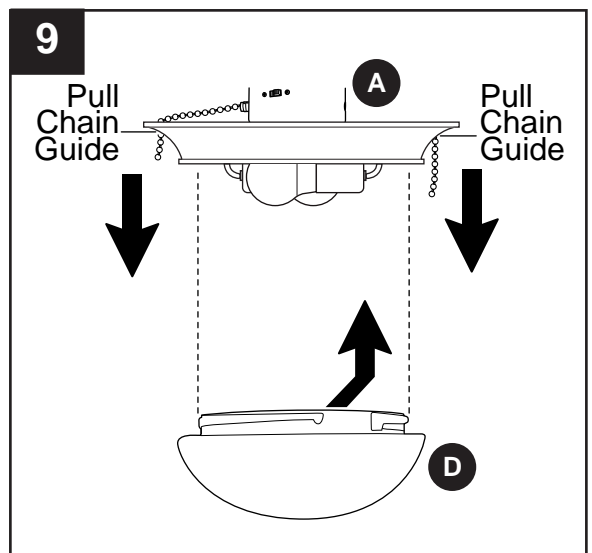
⚠ WARNING: When replacing bulbs, please allow bulbs and glass shade to cool down before touching.



9. Remove pull chain extension from fan pull chain if you have not already done so. Thread preassembled fan and light pull chains through corresponding pull chain guides on the outer rim of the light kit fitter (A).

Align slots on glass shade (D) with protrusions on the inside of the light kit fitter (A). Turn glass shade (D) *clockwise* until it no longer turns.

NOTE: Pull down gently on the glass shade (D) to make sure it is secured completely.



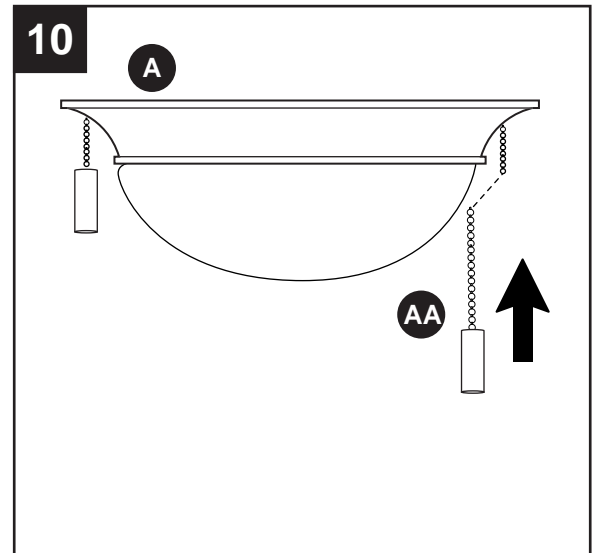
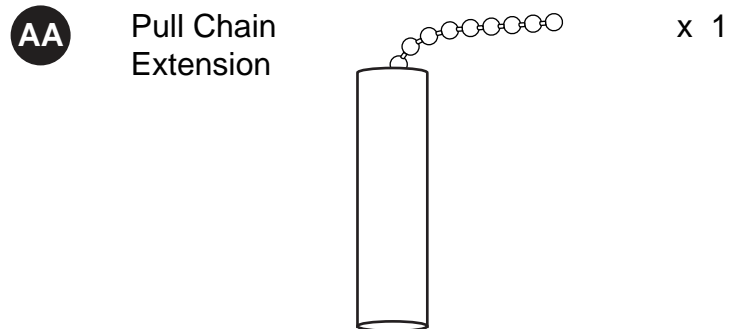
ASSEMBLY INSTRUCTIONS

10. Attach pull chain extension (AA) to light pull chain from light kit fitter (A). Re-attach fan pull chain extension that was previously removed.

Restore power and test light kit.

If light does not function, please refer to TROUBLESHOOTING below.

Hardware Used



CARE AND MAINTENANCE

IMPORTANT: Shut off main power supply. Wipe with soft damp cloth. Use window cleaner to clean glass. Do not use an abrasive cleaner on glass or fixture.

Bulb Replacement: Use standard-base 6.5-watt LED bulbs or incandescent/CFL equivalent.

TROUBLESHOOTING

! WARNING: Before beginning work, shut off the power supply to avoid electrical shock.

PROBLEM	POSSIBLE CAUSE	CORRECTIVE ACTION
Bulb(s) will not light.	<ol style="list-style-type: none"> 1. Bulb(s) is/are burned out. 2. Power is OFF. 3. Faulty connection. 	<ol style="list-style-type: none"> 1. Replace light bulb(s). 2. Make sure power supply is ON. 3. Check wiring and all connections.
Fuse blows out or circuit breaker trips.	<ol style="list-style-type: none"> 1. Crossed wires. 2. Power wire is grounding out. 	<ol style="list-style-type: none"> 1. Check wiring. 2. Check all connections.

WARRANTY

The distributor warrants all of its lighting fixtures against defects in materials and workmanship for one (1) year from the date of purchase. If within this period the product is found to be defective, take a copy of the bill of sale as a proof of purchase and the product in its original carton to the place of purchase. The distributor will, at its option, repair, replace or refund the purchase price to the consumer. All costs of installation and removal of the fixture is the responsibility of the consumer. This warranty does not cover fixtures becoming defective due to misuse, accidental damage or improper handling and/or installation and specifically excludes liability for direct, incidental or consequential damages. As some states do not allow exclusions of limitations on an implied warranty, the above exclusion and limitation may not apply. This warranty gives you specific rights and you may also have other rights which may vary from state to state.