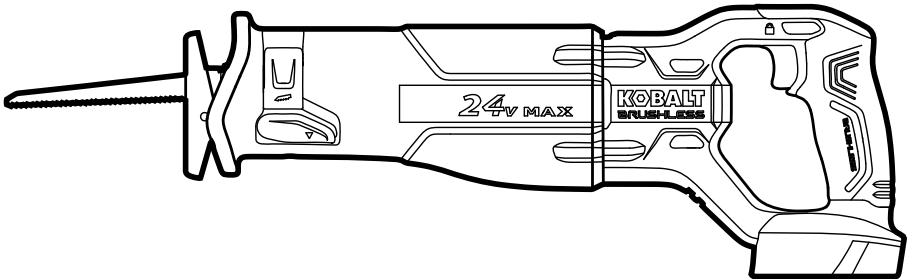


KOBALT™



ITEM #0672831/0672826/0877730

BRUSHLESS RECIPROCATING SAW

MODEL #KRS 1824B-03

Español p. 17

ATTACH YOUR RECEIPT HERE

Serial Number _____ Purchase Date _____



Questions, problems, missing parts? Before returning to your retailer, call our customer service department at 1-888-3KOBALT (1-888-356-2258), 8 a.m. - 8 p.m., EST, Monday - Friday.

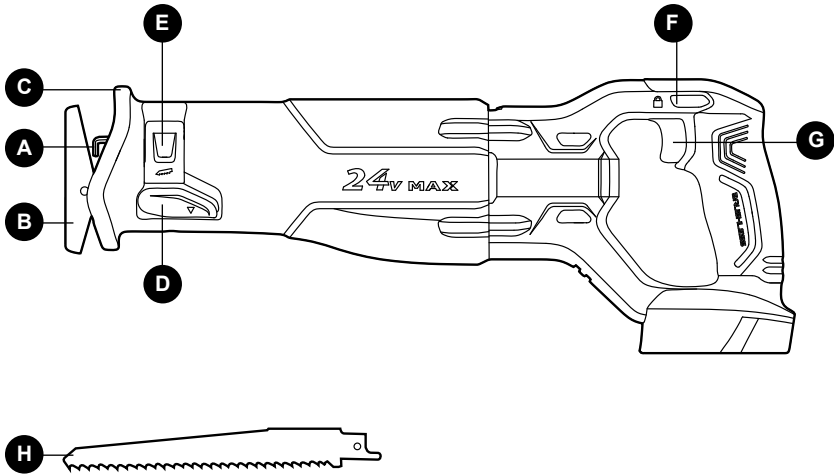
TABLE OF CONTENTS

Product Specifications.....	2
Package Contents.....	3
Safety Information.....	4
Preparation.....	8
Operating Instructions.....	9
Care and Maintenance.....	14
Troubleshooting.....	15
Warranty.....	15

PRODUCT SPECIFICATIONS

COMPONENT	SPECIFICATION
Rated voltage	24 V d.c.
No-load speed	0-3,100 SPM
Blade stroke	1-1/8 in.

PACKAGE CONTENTS



PART	DESCRIPTION
A	Blade clamp
B	Pivoting shoe
C	LED work light
D	Shoe-release lever

PART	DESCRIPTION
E	Blade-release lever
F	Switch-lock button
G	Variable-speed trigger switch
H	Bi-metal blade

WARNING

- Remove the tool from the package and examine it carefully. Do not discard the carton or any packaging material until all parts have been examined.
- If any part of the tool is missing or damaged, do not attach the battery pack or use the tool until the part has been repaired or replaced. Failure to heed this warning could result in serious injury.



SAFETY INFORMATION

Please read and understand this entire manual before attempting to assemble or operate this product. If you have any questions regarding the product, please call customer service at 1-888-3KOBALT, 8 a.m. - 8 p.m., EST, Monday - Friday.



WARNING

- The operation of any power tool can result in foreign objects being thrown into your eyes, which can result in severe eye damage. Before beginning power-tool operation, always wear safety goggles or safety glasses with side shields and a full-face shield, when needed. It is recommended to use a wide vision safety mask over eyeglasses or standard safety glasses with shields. Always use eye protection marked to comply with ANSI Z87.1.
- Some dust created by power sanding, sawing, grinding, drilling, and other construction activities contains chemicals known to the state of California to cause cancer, birth defects, or other reproductive harm. Some examples of these chemicals are:
 - Lead from lead-based paints
 - Crystalline silica from bricks, cement, and other masonry products
 - Arsenic and chromium from chemically-treated lumber
- Your risk from these exposures varies, depending upon how often you do this type of work. To reduce your exposure to these chemicals:
 - Work in a well-ventilated area.
 - Work with approved safety equipment, such as dust masks that are specially designed to filter out microscopic particles.
 - Avoid prolonged contact with dust from power sanding, sawing, grinding, drilling, and other construction activities. Wear protective clothing and wash exposed areas with soap and water. Allowing dust to get into your mouth or eyes or to lie on the skin may promote absorption of harmful chemicals.

Know the Tool

To operate this tool, carefully read this manual and all labels affixed to the tool before using it. Keep this manual available for future reference.



Important

This tool should be serviced only by a qualified service technician.

Read All Instructions Thoroughly

SAFETY INFORMATION

Some of the following symbols may be used on this tool. Please study them and their meaning. Proper interpretation of these symbols will allow you to operate the tool better and more safely.

SYMBOL	DEFINITION	SYMBOL	DEFINITION
V	Volts	n_0	No-load Speed
A	Amps	/min	Revolutions or Strokes per Minute
Hz	Hertz		Direct Current
W	Watts		Alternating Current

General Power Tool Safety Warnings

WARNING

- **Read all safety warnings and all instructions.** Failure to follow the warnings and instructions may result in electric shock, fire and/or serious injury.

Save all warnings and instructions for future reference

The term “power tool” in the warnings refers to your mains-operated (corded) power tool or battery-operated (cordless) power tool.

Work Area Safety

- **Keep work area clean and well lit.** Cluttered or dark areas invite accidents.
- **Do not operate power tools in explosive atmospheres, such as in the presence of flammable liquids, gases or dust.** Power tools create sparks, which may ignite the dust or fumes.
- **Keep children and bystanders away while operating a power tool.** Distractions can cause you to lose control.

Electrical Safety

- **Power tool plugs must match the outlet. Never modify the plug in any way. Do not use any adaptor plugs with earthed (grounded) power tools.** Unmodified plugs and matching outlets will reduce the risk of electric shock.
- **Avoid body contact with earthed or grounded surfaces such as pipes, radiators, ranges and refrigerators.** There is an increased risk of electric shock if your body is earthed or grounded.
- **Do not expose power tools to rain or wet conditions.** Water entering a power tool will increase the risk of electric shock.
- **Do not abuse the cord. Never use the cord for carrying, pulling or unplugging the power tool. Keep cord away from heat, oil, sharp edges or moving parts.** Damaged or entangled cords increase the risk of electric shock.



SAFETY INFORMATION

- **When operating a power tool outdoors, use an extension cord suitable for outdoor use.** Use of a cord suitable for outdoor use reduces the risk of electric shock.
- **If operating a power tool in a damp location is unavoidable, use a ground-fault circuit interrupter (GFCI) protected supply.** Use of a GFCI reduces the risk of electric shock.

Personal Safety

- **Stay alert, watch what you are doing and use common sense when operating a power tool. Do not use a power tool while you are tired or under the influence of drugs, alcohol or medication.** A moment of inattention while operating power tools may result in serious personal injury.
- **Use personal protective equipment. Always wear eye protection.** Protective equipment such as dust mask, non-skid safety shoes, hard hat, or hearing protection, used for appropriate conditions, will reduce personal injuries.
- **Prevent unintentional starting. Ensure the switch is in the off-position before connecting to power source and/or battery pack, picking up or carrying the tool.** Carrying power tools with your finger on the switch or energizing power tools that have the switch on invites accidents.
- **Remove any adjusting key or wrench before turning the power tool on.** A wrench or a key left attached to a rotating part of the power tool may result in personal injury.
- **Do not overreach. Keep proper footing and balance at all times.** This enables better control of the power tool in unexpected situations.
- **Dress properly. Do not wear loose clothing or jewelry. Keep your hair, clothing and gloves away from moving parts.** Loose clothes, jewelry or long hair can be caught in moving parts.
- **If devices are provided for the connection of dust extraction and collection facilities, ensure that these are connected and properly used.** Use of these devices can reduce dust-related hazards.

Power Tool Use and Care

- **Do not force the power tool. Use the correct power tool for your application.** The correct power tool will do the job better and safer at the rate for which it was designed.
- **Do not use the power tool if the switch does not turn it on and off.** Any power tool that cannot be controlled with the switch is dangerous and must be repaired.
- **Disconnect the plug from the power source and/or the battery pack from the power tool before making any adjustments, changing accessories, or storing power tools.** Such preventive safety measures reduce the risk of starting the power tool accidentally.
- **Store idle power tools out of the reach of children and do not allow persons unfamiliar with the power tool or these instructions to operate the power tool.** Power tools are dangerous in the hands of untrained users.
- **Maintain power tools. Check for misalignment or binding of moving parts, breakage of parts and any other condition that may affect the power tool's operation. If damaged, have the power tool repaired before use.** Many accidents are caused by poorly maintained power tools.
- **Keep cutting tools sharp and clean.** Properly maintained cutting tools with sharp cutting edges are less likely to bind and are easier to control.
- **Use the power tool, accessories, tool bits, etc., in accordance with these instructions, taking into account the working conditions and the work to be performed.** Use of the power tool for operations different from those intended could result in a hazardous situation.



SAFETY INFORMATION

Battery Tool Use and Care

- **Recharge only with the charger specified by the manufacturer.** A charger that is suitable for one type of battery pack may create a risk of fire when used with another battery pack.
- **Use power tools only with specifically designated battery packs.** Use of any other battery packs may create a risk of injury and fire.
- **When battery pack is not in use, keep it away from other metal objects like paper clips, coins, keys, nails, screws or other small metal objects that can make a connection from one terminal to another.** Shorting the battery terminals together may cause burns or a fire.
- **Under abusive conditions, liquid may be ejected from the battery; avoid contact. If contact accidentally occurs, flush with water. If liquid contacts eyes, additionally seek medical help.** Liquid ejected from the battery may cause irritation or burns.

Service

- **Have your power tool serviced by a qualified repair person using only identical replacement parts.** This will ensure that the safety of the power tool is maintained.

Specific Safety Warnings for Reciprocating Saw

- **Hold the power tool by its insulated gripping surfaces when performing an operation where the cutting accessory may contact hidden wiring or its own cord.** A cutting accessory in contact with a "live" wire may make exposed metal parts of the power tool "live" and could give the operator an electric shock.
- **Use clamps or another practical way to secure and support the workpiece to a stable platform.** Holding the work by hand or against your body leaves it unstable and may lead to loss of control.
- Always wait until the tool has come to a complete stop before placing it down. The tool insert can jam and lead to loss of control over the power tool.
- When working with the power tool, always hold it firmly with both hands and provide a secure stance. The power tool is guided more securely with both hands.
- Always remove the battery pack before changing the saw blade and/or adjusting the saw base.
- The saw blade must be securely locked in its holder. Check that it has been securely seated before use.
- Make certain that all adjusting levers and the blade holder are tight before making a cut. Loose adjusting levers and holders can cause the tool or blade to slip; loss of control may result.
- Never touch the saw blade after immediate use. It may be hot after prolonged use.
- Always wear safety goggles or eye protection when using this tool. Use a dust mask or respirator or connect the tool to an external dust vacuum if cutting generates a great amount of dust.
- Keep hands away from cutting area. Do not reach under the material being cut. The proximity of the blade to your hand is hidden from your sight.
- Do not use dull or damaged saw blades and accessories.

PREPARATION

Know Your Impact Driver

Before attempting to use the reciprocating saw, familiarize yourself with all of its operating features and safety requirements.

WARNING

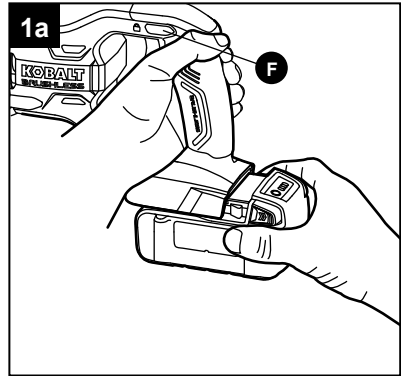
- Do not allow familiarity with the reciprocating saw to cause carelessness. Remember that one careless moment is enough to cause severe injury. Before attempting to use any tool, be sure to become familiar with all of the operating features and safety instructions.
- Do not attempt to modify this tool or create accessories not recommended for use with this tool. Any such alteration or modification is misuse and could result in a hazardous condition leading to possible serious personal injury.

OPERATING INSTRUCTIONS

1. Battery Pack

To Attach Battery Pack

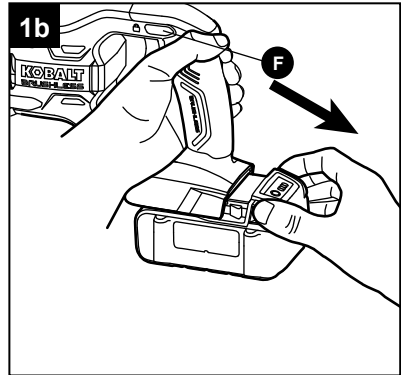
- Press the switch-lock button (F) to the lock position.
- Align the raised portion on the battery pack with the grooves on the bottom of the tool and slide the battery pack onto the saw as shown.
- Make sure that the latches on the battery pack snap into place and the battery pack is secured to the tool before beginning operation.




NOTICE: When placing the battery pack on the tool, be sure that the raised rib on battery pack aligns with the groove on the tool and the latches snap into place properly. Improper assembly of the battery pack can cause damage to internal components.

To Detach Battery Pack

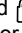
- Place the switch-lock button (F) to the lock position.
- Press the battery-release buttons to release the battery pack.
- Pull forward on the battery pack to remove it from the tool.

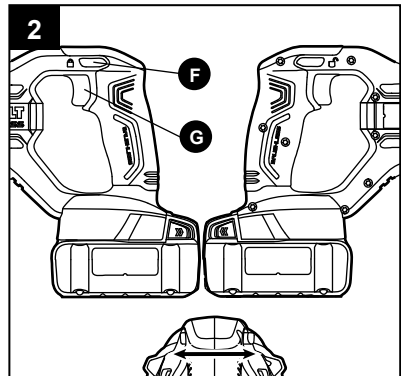


2. Variable-speed Trigger Switch and Switch-Lock Button

- To turn the saw ON, press the switch-lock button (F) marked  to unlock the switch, then squeeze the variable-speed trigger switch (G).
- To turn it OFF, release the variable-speed trigger switch.

WARNING

- Battery tools are always in operating condition. Therefore, always press the switch-lock button marked  to lock the switch when the saw is not in use or when carrying the saw at your side.



Variable Speed

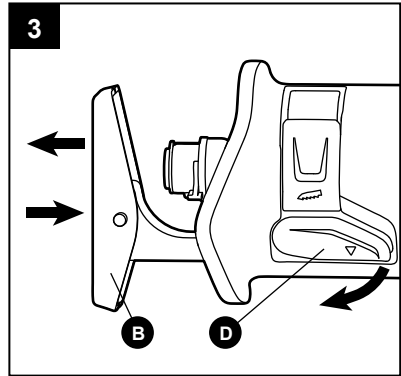
The variable-speed trigger switch (G) delivers higher speed with increased trigger pressure and lower speed with decreased trigger pressure.

OPERATING INSTRUCTIONS

3. Pivoting Shoe Adjustment

For maximum control and longer blade life, the pivoting shoe assembly (B) slides in or out to adjust the effective stroke length.

- Remove the battery pack from the saw.
- Pivot the shoe-release lever (D) to the vertical position to release the pivoting shoe.
- Pull the shoe to the desired position.
- Pivot the shoe-release lever to its original position to tighten the shoe.



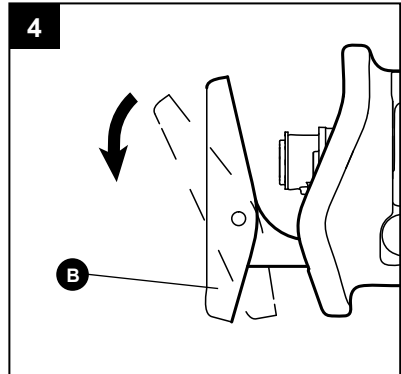
4. Pivoting the Shoe

The pivoting shoe (B) pivots to provide maximum contact with the surface being cut.

- Remove the battery pack from the saw.
- Hold the saw securely, then pivot the shoe to the desired angle.

! WARNING

- To avoid injury and damage, do not operate the saw without the pivoting shoe in place. The spindle may strike against the work piece and damage the reciprocating mechanism.

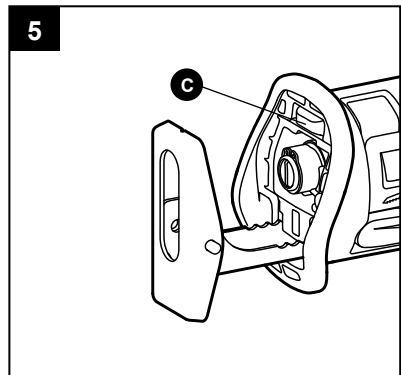


5. LED Work light

The LED work light (C), located on the front of the saw, will illuminate when the variable-speed trigger switch (G) is depressed. This provides additional light on the surface of the work piece for operation in lower-light areas.

The LED worklight will turn off when the variable-speed trigger switch is released.

- The LED work light will blink rapidly if the tool has stopped working in order to protect internal circuits; please wait for the tool to cool down, at which point it can be started again.
- The LED work light will blink slowly to indicate that the battery charge is very low.



OPERATING INSTRUCTIONS

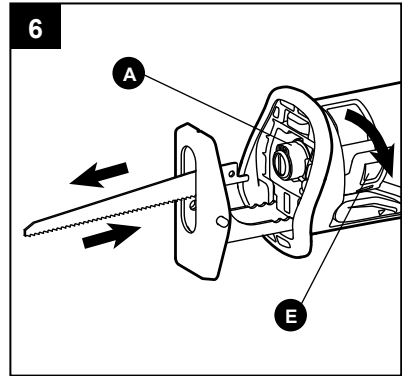
6. Blade Selection

To obtain the best performance from the saw, it is important to select the correct blade for the particular application and type of material to be cut.

Blades with fewer teeth, e.g., 10 teeth per inch (TPI) are typically used for cutting wood; blades with more teeth are better for cutting metal or plastic.

Installing a Saw Blade (Fig. 6)

- Remove the battery pack from the saw.
- Pivot the blade-release lever (E) to open the blade clamp (A).
- Insert the saw blade into the blade clamp as far as possible, then release the blade-release lever to lock the blade in position.
- Check that the blade is securely attached.



Removing the Saw Blade

- Remove the battery pack from the saw.
- Pivot the blade-release lever (E) to open the blade clamp (A).
- Remove the saw blade from the blade clamp.

⚠ WARNING

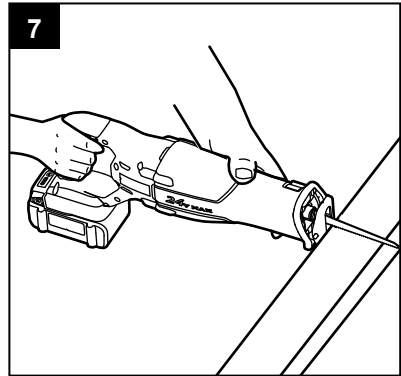
- The saw blade may be very hot after use. Allow the blade to cool down or wear gloves when removing a saw blade.

OPERATING INSTRUCTIONS

7. General Cutting

⚠ WARNING

- Before attaching the battery pack to the tool, always check to determine that the variable-speed trigger switch (G) performs properly and returns to the "OFF" position when released.
- Hold the tool only by the plastic handle and the insulated grip area to help prevent electrical shock. You may encounter electrical wiring when sawing into walls or floors. Sawing into a "live" wire will cause electric shock.



- a. Remove the battery pack from the saw.
- b. Make sure that the work piece is firmly clamped in place.
- c. Use the appropriate type and size of blade for the work piece material and size.
- d. Adjust the pivoting shoe (B) as necessary to make sure that the blade will extend beyond the pivoting shoe and the work piece at all times.
- e. Adjust the pivoting shoe as necessary to expose unworn blade teeth for longer blade life.
- f. Check for clearance behind the work piece so that the blade will not impact another surface.
- g. Mark the line of cut clearly. If cutting metal, apply cutting oil to the line.
- h. Attach the battery pack to the saw.
- i. Hold the saw firmly with both hands. Make sure to keep your hands on the insulated gripping areas only.
- j. Press the switch-lock button (F) to unlock the trigger switch and squeeze the variable-speed trigger switch (G) to start the saw and bring it to the maximum desired cutting speed before applying the blade to the work piece.
- k. Place the pivoting shoe firmly on the work piece while cutting. Use only enough steady pressure on the blade to keep the saw cutting; do not force the tool.
- l. Reduce pressure as the blade comes to the end of the cut.
- m. Allow the saw to come to a complete stop before removing the blade from the work piece.
- n. If sawing fiberglass, plaster, wallboard, or spackling compound, clean the motor vents frequently with a vacuum or compressed air. These materials are highly abrasive and may accelerate the wear on motor bearings and brushes.

⚠ WARNING

- Do not allow familiarity with the saw to make you careless. One careless fraction of a second is enough to inflict serious injury.

NOTICE: Cutting speeds should vary with the work piece. Hard materials, such as metals, require lower speeds; for softer materials use higher speeds.

OPERATING INSTRUCTIONS

8. Metal Cutting

The saw can be used to cut metals, such as sheet steel, pipe, steel rods, aluminum, brass, and copper. Be careful not to twist or bend the saw blade. Do not force the tool.

The use of cutting oil is recommended when cutting soft metals and steel. Cutting oil will keep the blade cool, increase cutting action, and prolong blade life.

⚠ WARNING

- Never use gasoline as a cutting lubricant, because normal sparking could ignite the fumes.
- a. Securely clamp the workpiece in position and make the cut close to the clamping point to minimize vibration.
- b. When cutting conduit pipe or angle iron, clamp the work in a vise, if possible, and cut close to the vise.
- c. To cut thin sheet material, “sandwich” the material between pieces of hardboard or plywood and clamp the layers together to reduce vibration and tearing of the material.

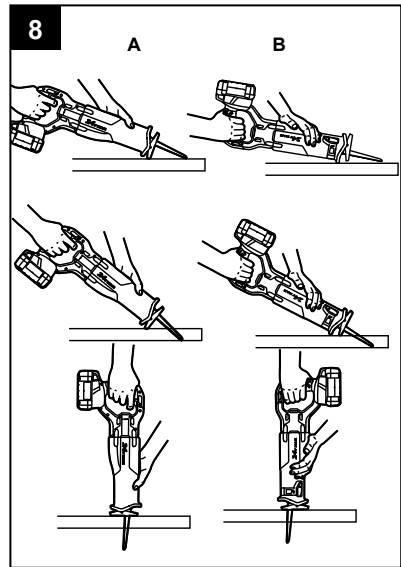
9. Plunge Cutting (Fig. 8)

Your reciprocating saw is ideal for plunge cutting directly into surfaces that cannot be cut from an edge, such as walls or floors. Plunge cutting may be performed two ways, depending on how the blade is inserted.

Column A shows how to plunge cut with the teeth of the blade facing down. Column B shows how to plunge cut with the teeth of the blade facing up.

⚠ WARNING

- Do not plunge cut into metal surfaces.
- a. Remove the battery pack from the saw.
- b. Make sure that the work piece is firmly clamped in place.
- c. Use the appropriate type and size of blade for the work piece material and size.
- d. Insert the blade into the tool.
- e. Adjust the pivoting shoe (B) as necessary to make sure that the blade will extend beyond the pivoting shoe and the work piece at all times.
- f. Adjust the pivoting shoe as necessary to expose unworn blade teeth for longer blade life.
- g. Check for clearance behind the work piece so that the blade will not impact another surface.
- h. Attach the battery pack to the saw.
- i. If the blade is inserted with the teeth facing downward, hold the tool as shown in Column A, resting the edge of the pivoting shoe on the work piece.
- j. With the blade just above the work piece, press the switch-lock button (F) to unlock the trigger switch and squeeze the variable-speed trigger switch (G) to start the saw and bring it to the maximum desired cutting speed. Then, using the edge of the shoe as a pivot, lower the blade into the work piece.



OPERATING INSTRUCTIONS


- k. As the blade starts cutting, raise the handle of the tool slowly, until the shoe rests firmly on the workpiece.
- l. After the blade has penetrated through the work piece, continue sawing along the marked cutting line.

NOTICE: To make plunge cutting easier, use a heavy gauge blade and install the blade with the teeth facing upward as show in Column B.

WARNING

- To reduce the risk of explosion, electric shock and property damage, always check the work area for hidden gas pipes, electrical wires or water pipes when making blind or plunge cuts.
- To avoid loss of control and serious injury, make sure that the blade reaches maximum speed before touching it to the work piece.
- Do not make plunge cuts in metal materials.

CARE AND MAINTENANCE

 All maintenance should only be carried out by a qualified technician.

Cleaning

Before cleaning or performing any maintenance, remove the battery pack from the reciprocating saw. For safe and proper operation, always keep the tool and its ventilation slots clean.

Always use only a soft, dry cloth to clean your reciprocating saw; never use detergent or alcohol.

TROUBLESHOOTING

WARNING

- Turn the switch to the “OFF” position, press the switch lock button to lock it and remove the battery pack from the reciprocating saw before performing troubleshooting procedures.

PROBLEM	POSSIBLE CAUSE	CORRECTIVE ACTION
The reciprocating saw does not work.	Battery is depleted.	Charge the battery.
Blade binds, jams, or burns the wood.	1. Improper operation .	1. See “OPERATING INSTRUCTIONS” section.
	2. Dull blade.	2. Replace or sharpen blade.
	3. Improper blade.	3. Replace blade.
Blade cannot be removed.	Saw dust in the blade clamp slot.	Clean the clamp slot with brush.
Saw vibrates or shakes.	1. Damaged blade.	1. Replace blade.
	2. Loose blade.	2. Remove the blade and reinstall it.
The LED worklight blinks rapidly.	The tool has stopped working to protect internal circuits.	Release the trigger switch, wait for the tool to cool down, then start the tool again.
The LED worklight blinks slowly.	The battery charge is very low.	Charge the battery.

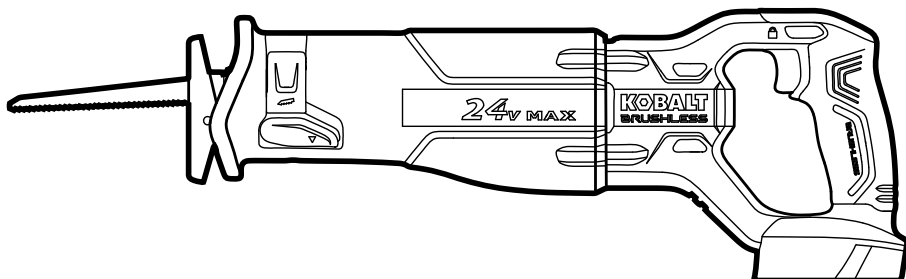
WARRANTY

For 5 years from the date of purchase, the reciprocating saw is warranted for the original purchaser to be free from defects in material and workmanship. This guarantee does not cover damage due to abuse, normal wear, improper maintenance, neglect, unauthorized repair/alteration, or expendable parts and accessories expected to become unusable after a reasonable period of use.

If you think your product meets the above guarantee criteria, please return it to the place of purchase with valid proof of purchase and the defective product will be repaired or replaced at no charge. This guarantee gives you specific legal rights, and you may also have other rights that vary from state to state.

Printed in China

KOBALT™



ARTÍCULO #0672831/0672826/0877730

SIERRA ALTERNATIVA SIN CEPILLO

MODELO #KRS 1824B-03

ADJUNTE SU RECIBO AQUÍ

Número de serie _____ Fecha de compra _____



¿Preguntas, problemas, piezas faltantes? Antes de volver a la tienda, llame a nuestro departamento de servicio al cliente al 1-888-3KOBALT (1-888-356-2258), de lunes a viernes de 8 a. m. a 8 p. m., hora estándar del Este.

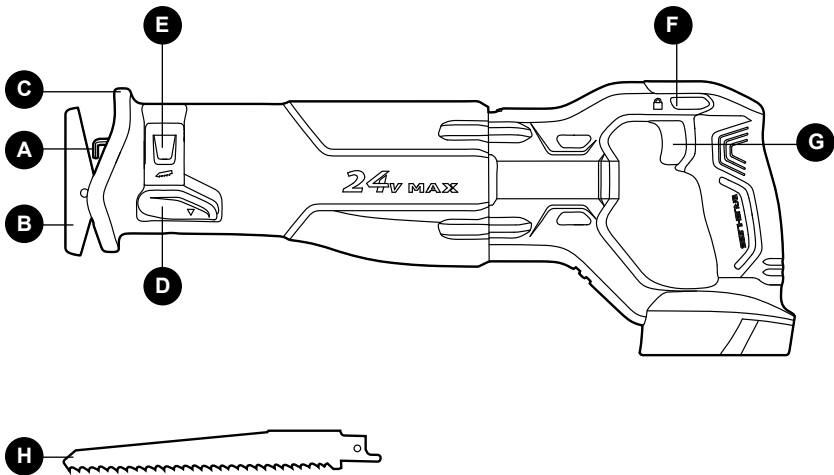
ÍNDICE

Especificaciones del producto.....	18
Contenido del paquete.....	19
Información de seguridad.....	20
Preparación.....	24
Instrucciones de funcionamiento.....	25
Cuidado y mantenimiento.....	30
Solución de problemas.....	31
Garantía.....	31

ESPECIFICACIONES DEL PRODUCTO

COMPONENTE	ESPECIFICACIONES
Rango de voltaje	24 V CC
Velocidad sin carga	3,100 SPM
Recorrido de hoja	2,85 cm

CONTENIDO DEL PAQUETE



PIEZA	DESCRIPCIÓN
A	Abrazadera de la cuchilla
B	Zapata giratoria
C	Luz de trabajo LED
D	Palanca de liberación de la zapata

PIEZA	DESCRIPCIÓN
E	Palanca de liberación de la hoja
F	Botón de bloqueo del interruptor
G	Interruptor de gatillo de velocidad variable
H	Hoja de dos metales

ADVERTENCIA

- Retire la herramienta del paquete y examínela con cuidado. No deseche la caja ni ningún material de embalaje hasta después de examinar todas las piezas.
- Si falta alguna pieza o si alguna pieza está dañada, no fije el paquete de baterías ni use la herramienta hasta reparar o reemplazar la pieza. El incumplimiento de esta advertencia podría provocar graves lesiones.

INFORMACIÓN DE SEGURIDAD

Lea y comprenda completamente este manual antes de intentar ensamblar u operar este producto. Si tiene preguntas relacionadas con el producto, llame al Departamento de Servicio al Cliente al 1-888-3KOBALT, de lunes a viernes de 8 a.m. a 8 p.m., hora estándar del Este.

ADVERTENCIA

- Durante el funcionamiento de cualquier herramienta eléctrica, pueden entrar objetos extraños a los ojos y causar graves daños oculares. Use siempre gafas de seguridad con protecciones laterales y, cuando sea necesario, use una máscara que cubra todo el rostro antes de comenzar a operar una herramienta eléctrica. Recomendamos usar una máscara de seguridad de visión amplia sobre los lentes o las gafas de seguridad estándar con protección. Siempre use lentes de protección que cumplan con la norma ANSI Z87.1.
- Parte del polvo causado por el lijado eléctrico, el serruchado, la trituración, el taladro y otras actividades de construcción contiene sustancias químicas que, según el estado de California, causan cáncer, defectos congénitos u otros daños reproductivos. Algunos ejemplos de estos químicos son los siguientes:
 - Plomo de pinturas a base de plomo
 - Sílice cristalina de ladrillos, cemento y otros productos de mampostería
 - Arsénico y cromo de madera tratada con químicos
- El riesgo que corre debido a la exposición a estos químicos varía según la frecuencia con que realiza este tipo de trabajo. Para disminuir su exposición a estas sustancias químicas:
 - Trabaje en un área bien ventilada.
 - Trabaje con equipo de seguridad aprobado, como las mascarillas antipolvo especialmente diseñadas para filtrar partículas microscópicas.
 - Evite estar en contacto prolongado con el polvo provocado por las lijas, sierras, trituradoras y taladros eléctricos y otras actividades de construcción. Use ropa protectora y lave todas las áreas expuestas del cuerpo con agua y jabón. Si permite que el polvo llegue a su boca o a sus ojos, o que repose sobre la piel, puede fomentar la absorción de químicos dañinos.

Conozca la herramienta

Para operar esta herramienta, lea detenidamente este manual y todas las etiquetas fijadas en la herramienta antes de usarla. Conserve este manual para tenerlo como referencia futura.



Importante

Solo un técnico calificado puede reparar esta herramienta.

Lea por completo todas las instrucciones

INFORMACIÓN DE SEGURIDAD

Algunos de los siguientes símbolos pueden aparecer en esta herramienta. Obsérvelos y aprenda su significado. La interpretación correcta de estos símbolos le permitirá utilizar la herramienta de manera eficaz y segura.

SÍMBOLO	DEFINICIÓN	SÍMBOLO	DEFINICIÓN
V	Voltios	n_0	Velocidad sin carga
A	Amperios	/min	Revoluciones o pasadas por minuto
Hz	Hertz		Corriente continua
W	vatios		Corriente alterna

Advertencias de seguridad general para herramientas eléctricas

ADVERTENCIA

- **Lea todas las advertencias de seguridad y todas las instrucciones.** El incumplimiento de las advertencias y las instrucciones podría provocar descargas eléctricas, incendios o lesiones graves.

Guarde todas las advertencias e instrucciones para referencia futura

El término "herramienta eléctrica" que aparece en las advertencias se refiere a la herramienta eléctrica que se conecta a la línea principal (con cable) o a la herramienta eléctrica que funciona con batería (inalámbrica).

Seguridad en el área de trabajo

- **Mantenga el área de trabajo limpia y bien iluminada.** Las áreas desordenadas u oscuras aumentan las posibilidades de accidentes.
- **No utilice herramientas eléctricas en atmósferas en las que exista riesgo de explosión, como por ejemplo en presencia de líquidos inflamables, gases o polvo.** Las herramientas eléctricas producen chispas que podrían encender el polvo o humo.
- **Mantenga a los niños y las personas cercanas alejadas durante la operación de una herramienta eléctrica.** Las distracciones pueden hacerle perder el control.

Seguridad eléctrica

- **Los enchufes de las herramientas eléctricas deben encajar en el tomacorriente. Nunca modifique el enchufe de ninguna manera. No utilice ningún enchufe adaptador con herramientas eléctricas con puesta a tierra.** Los enchufes sin modificaciones y que encajan en los tomacorrientes reducen el riesgo de descarga eléctrica.
- **Evite el contacto del cuerpo con superficies conectadas a tierra, como tuberías, radiadores, extractores o refrigeradores.** Existe un gran riesgo de descarga eléctrica si su cuerpo tiene conexión a tierra.
- **No exponga las herramientas eléctricas a la lluvia o a condiciones de humedad.** El ingreso de agua en una herramienta eléctrica aumentará el riesgo de descarga eléctrica.

INFORMACIÓN DE SEGURIDAD

- **No maltrate el cable. Nunca use el cable para transportar, jalar o desenchufar la herramienta eléctrica. Mantenga el cable alejado del calor, el aceite, los bordes filosos o las piezas en movimiento.** Los cables dañados o enredados aumentan el riesgo de descarga eléctrica.
- **Cuando opere una herramienta eléctrica en exteriores, use una extensión eléctrica para uso en exteriores.** El uso de un cable apto para uso en exteriores reduce el riesgo de descarga eléctrica.
- **Si debe utilizar una herramienta eléctrica en un área húmeda, use un suministro protegido con un interruptor de circuito de falla de puesta a tierra (GFCI, por sus siglas en inglés).** El uso de un GFCI disminuye el riesgo de descarga eléctrica.

Seguridad personal

- **Manténgase alerta, preste atención a lo que hace y utilice el sentido común cuando use una herramienta eléctrica. No utilice una herramienta eléctrica si está cansado o bajo los efectos de drogas, alcohol o medicamentos.** Un momento de desatención mientras opera herramientas eléctricas puede provocar lesiones personales graves.
- **Use un equipo de protección personal. Use siempre lentes de protección.** Los equipos de protección, como mascarillas antipolvo, zapatos de seguridad antideslizantes, casco protector o protección auditiva, utilizados para las condiciones adecuadas, disminuyen las lesiones personales.
- **Evite un arranque accidental. Asegúrese de que el interruptor esté en la posición de apagado antes de conectar la fuente o la batería, levantar o transportar la herramienta.** Transportar herramientas eléctricas con el dedo en el interruptor o enchufar herramientas eléctricas que tienen el interruptor encendido aumenta las posibilidades de accidentes.
- **Retire todas las llaves de ajuste o llaves inglesas antes de encender la herramienta eléctrica.** Si se deja una llave inglesa o una llave conectada a una pieza giratoria de la herramienta eléctrica, se pueden producir lesiones personales.
- **No se incline demasiado. Mantenga una posición y un equilibrio adecuados en todo momento.** Esto permite un mejor control de la herramienta eléctrica en situaciones inesperadas.
- **Use ropa adecuada. No use ropa holgada ni joyas. Mantenga el cabello, la ropa y los guantes lejos de las piezas en movimiento.** La ropa holgada, las joyas o el cabello largo pueden quedar atrapados en las piezas giratorias.
- **Si se proporcionan dispositivos para la conexión de equipos de extracción y recolección de polvo, asegúrese de que se conecten y se usen debidamente.** El uso de estos dispositivos puede disminuir los peligros relacionados con el polvo.

Uso y cuidado de las herramientas eléctricas

- **No fuerce la herramienta eléctrica. Utilice la herramienta eléctrica adecuada para su aplicación.** La herramienta eléctrica adecuada realizará un trabajo más seguro y de mejor calidad al ritmo para el que fue diseñada.
- **No utilice la herramienta eléctrica si el interruptor no la enciende o apaga.** Cualquier herramienta eléctrica que no pueda controlarse con el interruptor es peligrosa y debe repararse.
- **Desconecte el enchufe de la fuente de alimentación o la batería de la herramienta eléctrica antes de realizar cualquier ajuste, cambiar accesorios o almacenar herramientas eléctricas.** Este tipo de medidas de seguridad preventivas reduce el riesgo de arranques accidentales de la herramienta eléctrica.

INFORMACIÓN DE SEGURIDAD

- **Almacene las herramientas eléctricas que no estén en uso fuera del alcance de los niños y no permita que las personas no familiarizadas con la herramienta o estas instrucciones la operen.** Las herramientas eléctricas son peligrosas en manos de usuarios sin capacitación.
- **Realice mantenimiento a las herramientas eléctricas. Revise si hay desalineación o agarramiento de piezas móviles o si están rotas, así como cualquier otra condición que pueda afectar la operación de la herramienta eléctrica. Si se daña, haga reparar la herramienta eléctrica antes de usarla.** Muchos accidentes son producto del mantenimiento incorrecto de las herramientas eléctricas.
- **Mantenga las herramientas de corte afiladas y limpias.** Las herramientas de corte que se mantienen adecuadamente, con sus bordes de corte afilados, tienen un riesgo menor de trabarse y son más fáciles de controlar.
- **Use la herramienta eléctrica, los accesorios, las brocas, etc., de acuerdo con estas instrucciones, considerando las condiciones de trabajo y el trabajo que desea realizar.** El uso de la herramienta eléctrica en operaciones distintas para las que fue diseñada podría crear una situación de peligro.

Uso y cuidado de herramientas con batería

- **Recargue únicamente con el cargador especificado por el fabricante.** Un cargador adecuado para un tipo de paquete de baterías puede crear un riesgo de incendio cuando se usa con otro paquete de baterías.
- **Use herramientas eléctricas solo con paquetes de baterías designados específicamente.** El uso de cualquier otro paquete de baterías puede crear un riesgo de lesión e incendio.
- **Cuando el paquete de baterías no está en uso, aléjelo de objetos metálicos, como sujetapapeles, monedas, llaves, clavos, tornillos u otros objetos metálicos pequeños que pudieran crear una conexión entre los terminales.** Es posible que una conexión entre los terminales produzca quemaduras o un incendio.
- **En condiciones de maltrato, es posible que salga líquido de la batería; evite el contacto. Si se produce un contacto accidental, enjuague con agua. Si el líquido entra en contacto con los ojos, además de esto, solicite atención médica.** El líquido que sale de la batería puede provocar irritación o quemaduras.

Reparación

- **Haga reparar su herramienta eléctrica solo por una persona de reparación calificada, utilizando solo piezas de repuesto idénticas.** Esto mantendrá la seguridad de la herramienta eléctrica.

Advertencias específicas de seguridad para la sierra alternativa

- **Sostenga la herramienta eléctrica por las áreas de agarre aisladas al realizar una operación en la que el accesorio de corte pueda entrar en contacto con cableado oculto o con su propio cable.** Es posible que un accesorio de corte que entre en contacto con un cable "energizado" también "energice" las piezas de metal expuestas de la herramienta eléctrica y podría provocar una descarga eléctrica al operador.
- **Utilice abrazaderas u otro método práctico para asegurar y sostener la pieza de trabajo en una plataforma estable.** Sostener la pieza de trabajo con una sola mano o apoyada en el cuerpo es inestable y puede causar pérdida de control.
- Siempre espere hasta que la herramienta se detenga por completo antes de colocarla hacia abajo. El accesorio de la herramienta se puede atascar y provocar la pérdida de control sobre la herramienta eléctrica.

INFORMACIÓN DE SEGURIDAD

- Cuando trabaje con la herramienta eléctrica, siempre sosténgala firmemente con ambas manos y adopte una posición segura. Es más seguro guiar la herramienta eléctrica con ambas manos.
- Siempre retire el paquete de baterías antes de cambiar la hoja de la sierra o ajustar la base de la sierra.
- La hoja de la sierra debe estar firmemente fijada en su soporte. Verifique que haya encajado de forma segura antes de usarla.
- Asegúrese de que todas las palancas de ajuste y el soporte de la hoja estén firmes antes de realizar un corte. Si las palancas de ajuste y los soportes están sueltos, esto puede causar que la herramienta o la hoja se deslicen, provocando una pérdida de control.
- Nunca toque la hoja de la sierra inmediatamente después de usarla. Puede estar caliente luego de un uso prolongado.
- Use siempre gafas de seguridad o lentes de protección cuando utilice esta herramienta. Use una mascarilla antipolvo o un respirador, o conecte la herramienta a una aspiradora de polvo externa si al cortar se genera una gran cantidad de polvo.
- Mantenga sus manos alejadas del área de corte. No toque debajo del material que se está cortando. La proximidad de la hoja con su mano estará oculta a la vista.
- No use hojas de sierra ni accesorios desafilados o dañados.

PREPARACIÓN

Conozca su sierra alternativa

Antes de intentar utilizar la sierra alternativa, familiarícese con todas las funciones de operación y los requisitos de seguridad.

ADVERTENCIA

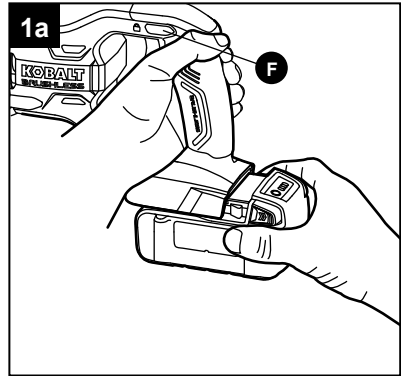
- No permita que la familiaridad con la sierra alternativa lo vuelva descuidado. Recuerde que un momento de descuido es suficiente para causar lesiones graves. Antes de intentar utilizar cualquier herramienta, asegúrese de familiarizarse con todas las funciones de operación e instrucciones de seguridad.
- No intente modificar esta herramienta ni crear accesorios que no sean los recomendados para esta. Cualquier alteración o modificación es considerada un mal uso y podría causar una condición peligrosa que podría conllevar lesiones personales graves.

INSTRUCCIONES DE FUNCIONAMIENTO

1. Paquete de baterías

Para fijar el paquete de baterías

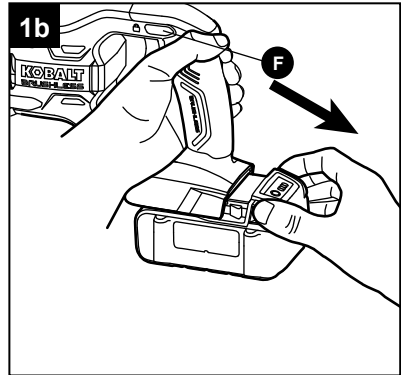
- Presione el botón de bloqueo del interruptor (F) en la posición de bloqueo.
- Alinee la parte elevada del paquete de baterías con las ranuras de la parte inferior de la herramienta y deslice el paquete de baterías en la sierra, como se muestra.
- Asegúrese de que los pestillos del paquete de baterías encajen en su lugar y que el paquete de baterías esté fijo en la herramienta antes de comenzar la operación.



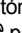
AVISO: Al colocar el paquete de baterías en la herramienta, asegúrese de que la varilla elevada del paquete de baterías se alinee con la ranura de la herramienta y que los pestillos encajen en su lugar adecuadamente. El ensamblaje inadecuado del paquete de baterías puede provocar daños a los componentes internos.

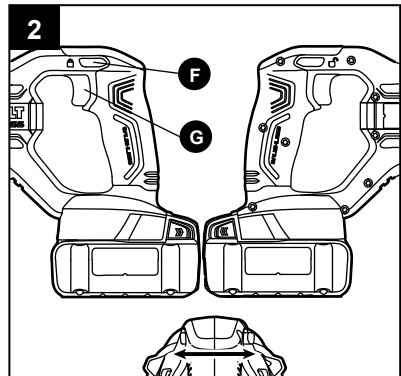
Para liberar el paquete de baterías

- Coloque el botón de bloqueo del interruptor (F) en la posición de bloqueo.
- Presione los botones de liberación de la batería para liberar el paquete de baterías.
- Jale el paquete de baterías hacia delante para retirar la batería de la herramienta.




2. Interruptor de gatillo de velocidad variable y botón de bloqueo del interruptor

- Para encender la sierra, presione el botón de bloqueo del interruptor (F) marcado  para desbloquear el interruptor, luego apriete el interruptor de gatillo de velocidad variable (G).
- Para apagarlo, suelte el interruptor de gatillo de velocidad variable.



ADVERTENCIA

- Las herramientas con batería siempre están en condiciones de operación. Por lo tanto, presione siempre el botón de bloqueo del interruptor marcado  para desbloquear el interruptor cuando la sierra no se encuentre en uso o al transportar la sierra a su costado.

INSTRUCCIONES DE FUNCIONAMIENTO

Velocidad variable

El interruptor de gatillo de velocidad variable (G) proporciona mayor velocidad con mayor presión en el gatillo y menor velocidad con menor presión en el gatillo.

3. Ajuste de la zapata giratoria

Para un máximo control y una mayor vida útil de la hoja, el ensamblaje de la zapata giratoria (B) se desliza hacia adentro o hacia afuera para ajustar el largo de recorrido real.

- Retire el paquete de baterías de la sierra.
- Gire la palanca de liberación de la zapata (D) a la posición vertical para liberar la zapata giratoria.
- Jale la zapata a la posición deseada.
- Gire la palanca de liberación de la zapata a su posición original para apretar la zapata.

4. Giro de la zapata

La zapata giratoria (B) gira para proporcionar el máximo contacto con la superficie que se desea cortar.

- Retire el paquete de baterías de la sierra.
- Sostenga la sierra firmemente y luego gire la zapata al ángulo deseado.

⚠ ADVERTENCIA

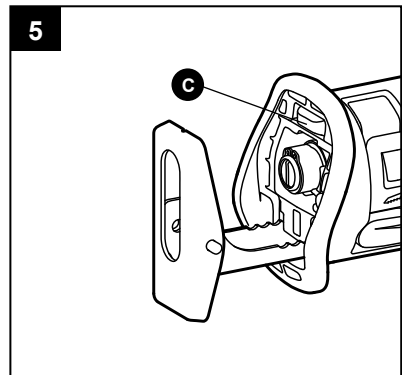
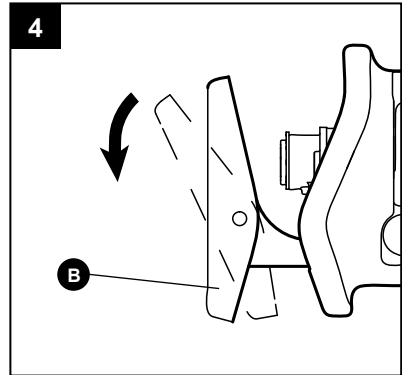
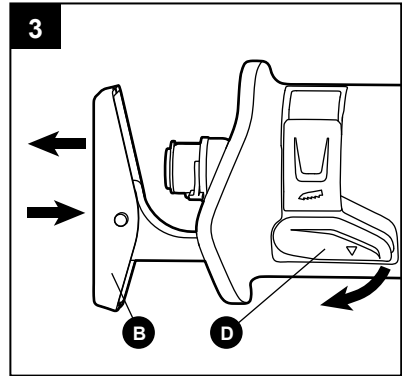
- Para evitar lesiones y daños, no utilice la sierra sin la zapata giratoria en su lugar. El barrote puede golpearse contra la pieza de trabajo y dañar el mecanismo de vaivén.

5. Luz de trabajo LED

La luz de trabajo LED (C), ubicada en la parte delantera de la sierra, se iluminará cuando presione el interruptor de gatillo de velocidad variable (G). Esto brinda más iluminación en la superficie de la pieza de trabajo para usar la herramienta en áreas con poca iluminación.

La luz de trabajo LED se apagará cuando suelte el interruptor de gatillo de velocidad variable.

- La luz de trabajo con bombilla LED titilará con rapidez si la herramienta deja de funcionar para proteger los circuitos internos; espere a que la herramienta se enfríe para que pueda volver a funcionar.
- La luz de trabajo con bombilla LED titilará más lento para indicar que el nivel de batería está muy bajo.



INSTRUCCIONES DE FUNCIONAMIENTO

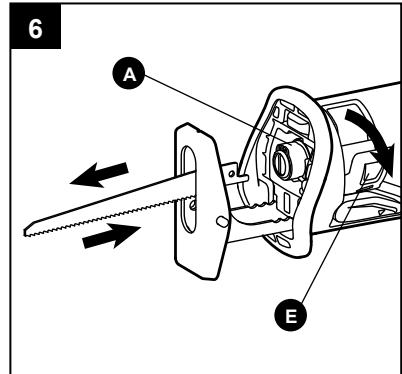
6. Selección de la hoja

Para obtener el mejor rendimiento de la sierra, es importante seleccionar la hoja correcta para la aplicación específica y el tipo de material que desea cortar.

Las hojas con menos dientes, por ejemplo, 10 dientes por pulgada (TPI, por sus siglas en inglés) normalmente se usan para cortar madera; las hojas con más dientes son mejores para cortar metal o plástico.

Instalación de una hoja de sierra (Fig. 6)

- Retire el paquete de baterías de la sierra.
- Gire la palanca de liberación de la hoja (E) para abrir la abrazadera de la hoja (A).
- Inserte la hoja de sierra en la abrazadera de la hoja hasta donde se pueda y libere la palanca de liberación de la hoja para fijar la hoja en su lugar.
- Asegúrese de que la hoja quede firmemente fijada.



Retiro de la hoja de la sierra

- Retire el paquete de baterías de la sierra.
- Gire la palanca de liberación de la hoja (E) para abrir la abrazadera de la hoja (A).
- Retire la hoja de sierra de la abrazadera de la hoja.

ADVERTENCIA

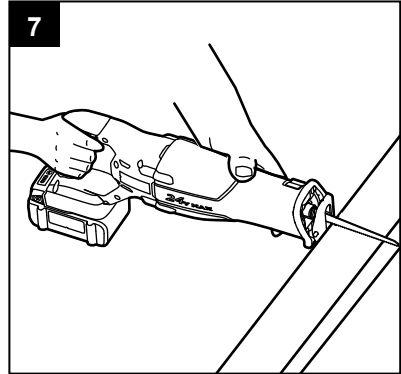
- La hoja de sierra puede estar muy caliente después de usarla. Permita que la hoja se enfríe o use guantes al retirar la hoja de sierra.

INSTRUCCIONES DE FUNCIONAMIENTO

7. Cortes en general

⚠ ADVERTENCIA

- Antes de instalar el paquete de baterías en la herramienta, siempre revise si el interruptor de gatillo de velocidad variable (G) funciona bien y si se devuelve a la posición OFF (apagado) al soltarlo.
- Sostenga la herramienta solo de la manija de plástico y del área de agarre aislada para evitar descargas eléctricas. Al cortar paredes o pisos, es posible que se encuentre con cableado eléctrico. Cortar cables "energizados" provocará descargas eléctricas.



- a. Retire el paquete de baterías de la sierra.
- b. Asegúrese de que la pieza de trabajo esté firmemente sujeta en su lugar.
- c. Use el tipo y el tamaño adecuado de hoja para el material y el tamaño de la pieza de trabajo.
- d. Regule la zapata giratoria (B) según sea necesario para garantizar que la hoja se extienda más allá de la zapata giratoria y la pieza de trabajo en todo momento.
- e. Regule la zapata giratoria de forma tal que queden expuestos los dientes no gastados de la hoja a fin de prolongar la vida útil de la herramienta.
- f. Verifique el espacio detrás de la pieza de trabajo de modo que la hoja no impacte otra superficie.
- g. Marque claramente la línea de corte. Si corta metal, aplique aceite de corte en la línea.
- h. Fije el paquete de baterías a la batería.
- i. Sostenga firmemente la sierra con ambas manos. Asegúrese de mantener las manos solo en las áreas de agarre aisladas.
- j. Presione el botón de bloqueo del interruptor (F) para desbloquear el interruptor de gatillo y apriete el interruptor de gatillo de velocidad variable (G) para arrancar la sierra y llevarla a la máxima velocidad de corte deseada antes de aplicar la hoja a la pieza de trabajo.
- k. Coloque la zapata firmemente en la pieza de trabajo mientras corta. Utilice solo la suficiente presión constante en la hoja para mantener la sierra cortando; no fuerce la herramienta.
- l. Disminuya la presión a medida que la hoja se acerca al final del corte.
- m. Deje que la sierra se detenga por completo antes de retirar la hoja de la pieza de trabajo.
- n. Si corta fibra de vidrio, yeso, panel de fibra prensada o compuesto de relleno, limpie las ventilas del motor frecuentemente con una aspiradora o con aire comprimido. Estos materiales son altamente abrasivos y pueden acelerar el desgaste de los cojinetes y los cepillos del motor.

⚠ ADVERTENCIA

- No permita que la familiaridad con la sierra lo vuelva descuidado. Un descuido de una fracción de segundo es suficiente para causar una lesión grave.

AVISO: Las velocidades de corte deberían variar de acuerdo con la pieza de trabajo. Los materiales duros, como metales, requieren velocidades más bajas; para materiales más suaves use mayores velocidades.

INSTRUCCIONES DE FUNCIONAMIENTO

8. Corte de metal

La sierra se puede utilizar para cortar metales, como acero laminado, tuberías, varillas de acero, aluminio, latón y cobre. Tenga cuidado de no torcer ni doblar la hoja de la sierra. No fuerce la herramienta.

Se recomienda utilizar aceite de corte al cortar metales suaves y acero. El aceite de corte mantendrá la hoja fría, aumentará la acción de corte y prolongará la vida útil de la hoja.

⚠ ADVERTENCIA

- Nunca utilice gasolina como lubricante para cortes, ya que las chispas normales podrían encender los gases.
- a. Asegure la posición de la abrazadera en la pieza de trabajo y realice el corte cerca del punto de sujeción para minimizar la vibración.
- b. Al cortar tuberías de conductos o perfiles en ángulo, fije la pieza de trabajo en una prensa de tornillo, si es posible, y corte cerca de la prensa de tornillo.
- c. Para cortar materiales en láminas delgadas, "aprisione" el material entre trozos de madera prensada o madera contrachapada y fije las capas juntas para disminuir la vibración y las rasgaduras del material.

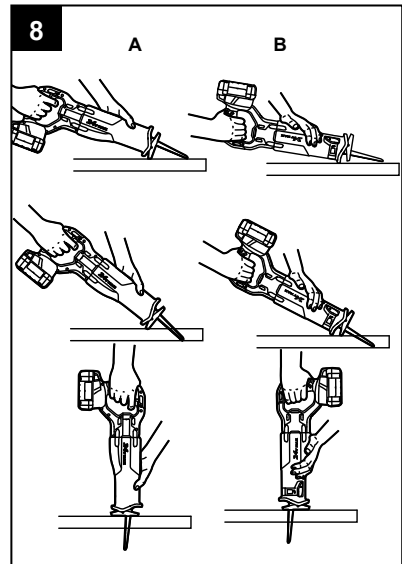
9. Cortes con perforación (Fig. 8)

La sierra alternativa es ideal para cortes con perforación en superficies que no se pueden cortar desde un borde, como las paredes o los pisos. El corte con perforación se puede realizar de dos formas, dependiendo de cómo se inserte la hoja.

La columna A muestra cómo realizar un corte con perforación con los dientes de la hoja mirando hacia abajo. La columna B muestra cómo realizar un corte con perforación con los dientes de la hoja mirando hacia arriba.

⚠ ADVERTENCIA

- No realice cortes con perforación en superficies de metal.
- a. Retire el paquete de baterías de la sierra.
- b. Asegúrese de que la pieza de trabajo esté firmemente sujeta en su lugar.
- c. Use el tipo y el tamaño adecuado de hoja para el material y el tamaño de la pieza de trabajo.
- d. Inserte la hoja en la herramienta.
- e. Regule la zapata giratoria (B) según sea necesario para garantizar que la hoja se extienda más allá de la zapata giratoria y la pieza de trabajo en todo momento.
- f. Regule la zapata giratoria de forma tal que queden expuestos los dientes no gastados de la hoja a fin de prolongar la vida útil de la herramienta.
- g. Verifique el espacio detrás de la pieza de trabajo de modo que la hoja no impacte otra superficie.
- h. Fije el paquete de baterías a la batería.



INSTRUCCIONES DE FUNCIONAMIENTO

- i. Si la hoja se insertó con los dientes hacia abajo, sostenga la sierra como se muestra en la columna A, apoyando el borde de la zapata giratoria en la pieza de trabajo.
- j. Con la hoja justo por encima de la pieza de trabajo, presione el botón de bloqueo del interruptor (F) para desbloquear el interruptor de gatillo y apriete el interruptor de gatillo de velocidad variable (G) para arrancar la sierra y llevarla a la máxima velocidad de corte deseada. Luego, con el borde de la zapata como pivote, baje la hoja hasta la pieza de trabajo.
- k. A medida que la hoja comience a cortar, levante suavemente la manija de la herramienta, hasta que la zapata se apoye firmemente en la pieza de trabajo.
- l. Después de que la hoja haya penetrado en la pieza de trabajo, continúe cortando a lo largo de la línea de corte marcada.

AVISO: Para realizar cortes con perforación más fácilmente, use una hoja de calibre pesado e instálela con los dientes hacia arriba como se muestra en la columna B.



ADVERTENCIA

- Para disminuir el riesgo de explosiones, descargas eléctricas y daños a la propiedad, siempre revise el área de trabajo en busca de tuberías de gas escondidas, cables eléctricos o tuberías de agua al realizar cortes ciegos o con perforación.
- Para evitar la pérdida de control y lesiones graves, asegúrese de que la hoja alcance la velocidad máxima antes de tocar la pieza de trabajo.
- No realice cortes con perforación en materiales de metal.

CUIDADO Y MANTENIMIENTO



Todos los mantenimientos deben ser realizados solo por un técnico calificado.

Limpieza

Antes de limpiar o realizar cualquier mantenimiento, retire el paquete de baterías de la sierra alternativa. Para un uso seguro y adecuado, siempre mantenga limpias la herramienta y sus ranuras de ventilación.

Siempre use solamente un paño su

SOLUCIÓN DE PROBLEMAS



ADVERTENCIA

- Coloque el interruptor en la posición "OFF" (Apagado), presione el botón de bloqueo del interruptor para bloquearlo y retire el paquete de baterías de la sierra alternativa antes de realizar procedimientos de solución de problemas.

PROBLEMA	CAUSA POSIBLE	ACCIÓN CORRECTIVA
La sierra alternativa no funciona.	La batería está agotada.	Cargue la batería.
La hoja se atasca o quemada la madera.	1. Funcionamiento inadecuado.	1. Consulte la sección "INSTRUCCIONES DE FUNCIONAMIENTO".
	2. Hoja roma.	2. Reemplace o afile la hoja.
	3. Hoja inadecuada.	3. Reemplace la hoja.
No se puede retirar la hoja.	Polvo de aserrar en la ranura de la abrazadera de la hoja.	Limpie la ranura de la abrazadera con un cepillo.
La sierra vibra o se agita.	1. Hoja dañada.	1. Reemplace la hoja.
	2. Hoja suelta.	2. Retire la hoja y vuelva a instalarla.
La luz de trabajo con bombilla LED titila con rapidez.	La herramienta ha dejado de funcionar para proteger los circuitos internos.	Suelte el interruptor de gatillo, espere a que la herramienta se enfríe y luego enciéndala de nuevo.
La luz de trabajo con bombilla LED titila con lentitud.	El nivel de batería está muy bajo.	Cargue la batería.

GARANTIE

La sierra alternativa está garantizada contra defectos de fabricación en materiales y mano de obra por 5 años desde la fecha de compra para el comprador original. Esta garantía no cubre daños por el abuso, desgaste normal, mantenimiento inadecuado, negligencia, reparación/ alteración no autorizada o piezas fungibles y accesorios que se esperan que sean inutilizables después de un período de uso razonable.

Si cree que este producto cumple con la garantía mencionada arriba, devuelva el producto al lugar donde lo compró con un comprobante de compra válido y el producto defectuoso se reparará o reemplazará sin cargo. Esta garantía le otorga derechos legales específicos, pero también podría tener otros derechos que varían según el estado.

Impreso en China