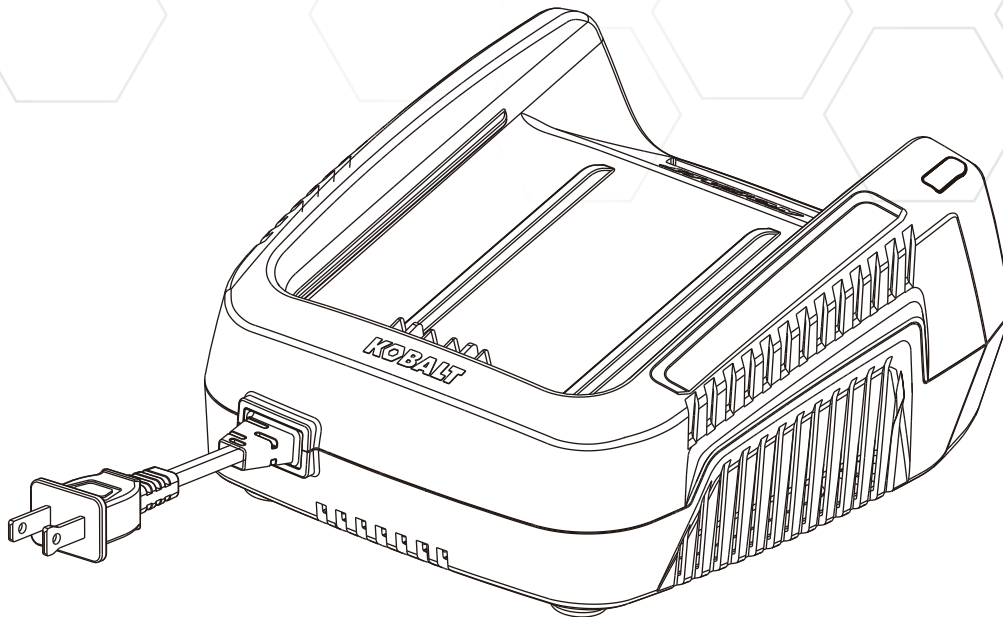


KOBALT™



ITEM #0506884

40 V LITHIUM-ION CHARGER

MODEL #KRC 60-06

Español p. 6

ATTACH YOUR RECEIPT HERE

Serial Number _____ Purchase Date _____



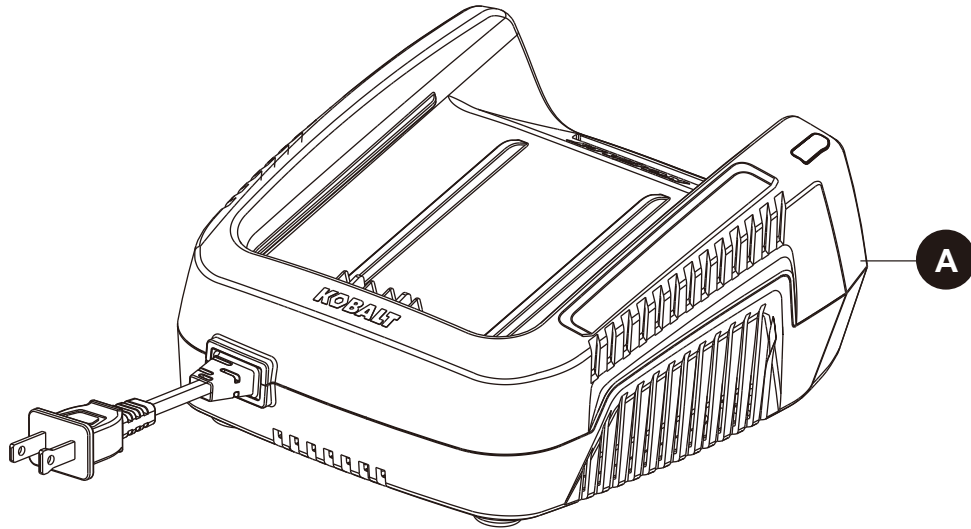
Questions, problems, missing parts? Before returning to your retailer, call our customer service department at **1-888-3KOBALT** (1-888-356-2258), 8 a.m. - 8 p.m., EST, Monday - Friday.

AB13787C

PRODUCT SPECIFICATIONS

COMPONENTS	SPECIFICATIONS
Charger	40 V Charger
Model No.	KRC 60-06
Input	120 V AC 50/60Hz, Max 1.35A
Output	40 V DC 2.2A

PACKAGE CONTENTS



PART	DESCRIPTION	QUANTITY
A	Charger	1

SAFETY INFORMATION

IMPORTANT SAFETY INSTRUCTIONS

Save these instructions - Danger: to reduce risk of fire or electric shock, carefully follow these instructions.

- Confirm the voltage available at each location before using the charger.
- If the shape of the plug does not fit the power outlet, use an attachment plug adaptor of the proper configuration for the power outlet.
- Be sure voltage selector is in correct voltage position before plugging in.

OPERATING INSTRUCTIONS

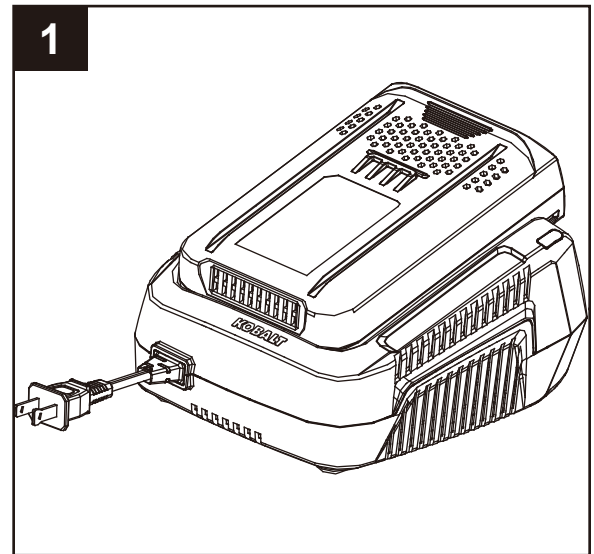
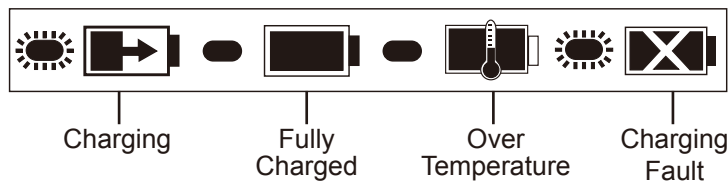
1. Charging procedure

Note: The battery is not shipped fully charged. It is recommended to fully charge before first use to ensure that maximum run time can be achieved. This lithium-ion battery will not develop a memory and may be charged at any time. A fully discharged battery pack will require approximately 60 minutes (2Ah) / 120 minutes (4Ah) to fully charge from a discharged state.

Plug the charger into an AC power outlet.

- Insert the battery into the charger.

This is a diagnostic charger. The charger LED lights will illuminate in specific order to communicate the current battery status. They are as follows:



LED STATUS	DESCRIPTION
Blinking Green	Charging
Solid Green	Fully Charged
Solid Red	Over Temperature
Blinking Red	Charging Fault

False defect note:

When the battery is inserted into the charger and the status LED is blinking Red, remove the battery from the charger for 1 minute, then reinsert. If the status LED is blinking Green, then the battery pack is good. If the status LED is still blinking Red, remove the battery pack and unplug the charger. Wait 1 minute and plug the charger back in and reinsert the battery pack. If the status LED indicates blinking Green, then the battery pack is good. If the status LED is still blinking Red, the battery pack is defective and needs to be replaced.

WARNING

If the battery is inserted into the charger when warm or hot, the charging LED indicator light on the charger may switch on and illuminate Red. If this occurs, allow the battery to cool outside of the charger from approximately 30 minutes.

OPERATING INSTRUCTIONS

2. Checking the charge

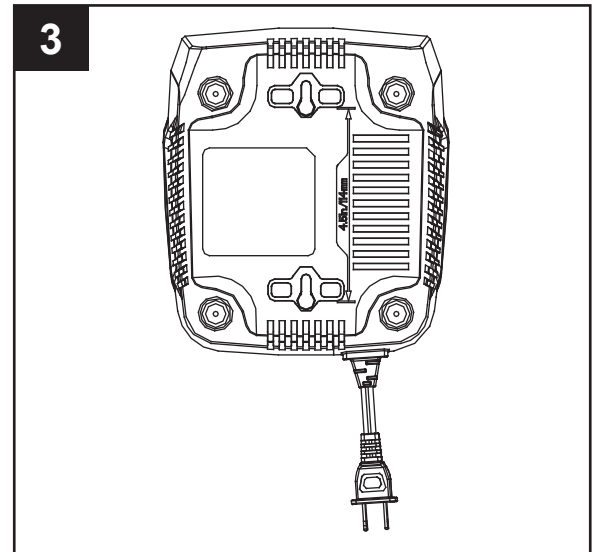
If the battery pack does not charge properly:

- Check the current at the power outlet with another tool. Make sure that the outlet is not turned off.
- Check that the charger contacts have not been shorted by debris or foreign material.
- If the surrounding air temperature is not normal room temperature, move the charger and battery pack to a location where the temperature is between 45°F and 104°F.

3. Charger mounting

- This charger can be installed hanging on a wall using 2 screws (not supplied).
- Locate the placement for the charger to be wall mounted.
- If fastening to wood studs, use 2 wood screws.
- Drill two holes on center 4.5 in. apart ensuring that they are vertically aligned.
- If fastening to drywall, use wall anchors (not included) and screws to secure the charger to the wall.

Note: If the battery and the charger won't be used for a long time, remove the battery from the charger and pull out the AC power plug.



CARE AND MAINTENANCE

- Keep the charger clean and clear of debris. Do not allow foreign material to get into the recessed cavity or onto the contacts. Wipe the charger clean with a dry cloth. Do not use solvents or water, and do not place the charger in wet conditions.
- Unplug the charger when there is no battery pack in it.
- Fully charge the batteries before placing them in storage.
- The battery pack may be stored in the charger; however, it is recommended to disconnect the charger from the power source.
- To ensure safety and reliability, all repairs should be performed by a qualified service technician.
- Check that the charger contacts have not been shorted by debris or foreign material.
- Recharge the battery pack whenever there is less power. Do not allow the batteries to become completely discharged.
- Store the charger at normal room temperature. Do not store it in excessive heat. Do not use the charger in direct sunlight. Recharge at room temperature between 45 and 104°F (7 and 40°C). If the battery pack is hot, allow it to cool down before recharging.

WARRANTY

Kobalt charger

3-YEAR LIMITED WARRANTY

This Kobalt charger is warranted to the original purchaser from the original purchase date for three (3) years subject to the warranty coverage described herein.

This Kobalt charger here is warranted for the original user to be free from defects in material and workmanship.

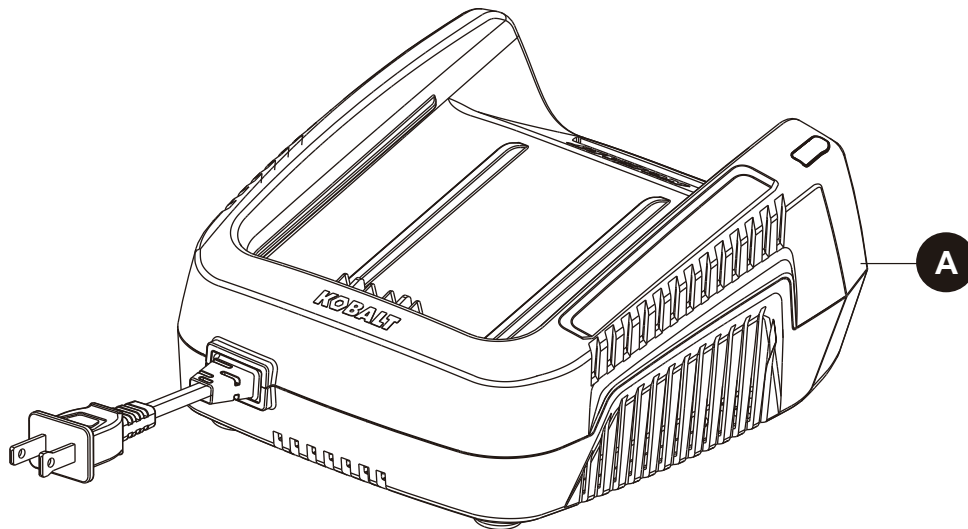
If you believe that the Kobalt charger is defective at any time during the specified warranty period, simply return the Kobalt charger along with proof of purchase to the place of purchase for a free replacement or refund.

This warranty is void if: defects in materials or workmanship or damages result from repairs or alterations which have been made or attempted by others or the unauthorized use of nonconforming parts; the damage is due to normal wear, damage is due to abuse (including overloading of the tool beyond capacity), improper maintenance, neglect or accident; or the damage is due to the use of the tool after partial failure or use with improper accessories or unauthorized repair or alteration.

This warranty gives you specific legal rights, and you may also have other rights that vary from state to state.

REPLACEMENT PARTS LIST

For replacement parts, call our customer service department at **1-888-3KOBALT** (1-888-356-2258), 8 a.m. - 8 p.m., EST, Monday - Friday.



PART	DESCRIPTION	PART #
A	Charger	29413

Printed in China

KOBALT® and the K Design® are registered trademarks of LF, LLC. All Rights Reserved.