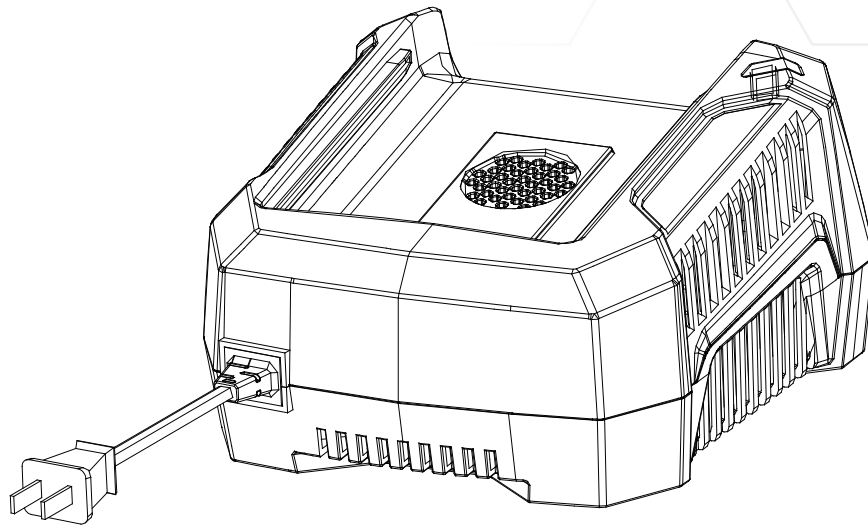




NEXT GENERATION OF TOUGH TOOLS™



ITEM #0419023

80 V MAX LITHIUM-ION CHARGER

MODEL #KRC 30-06

Français p. 6

Español p. 11

ATTACH YOUR RECEIPT HERE

Serial Number _____ Purchase Date _____

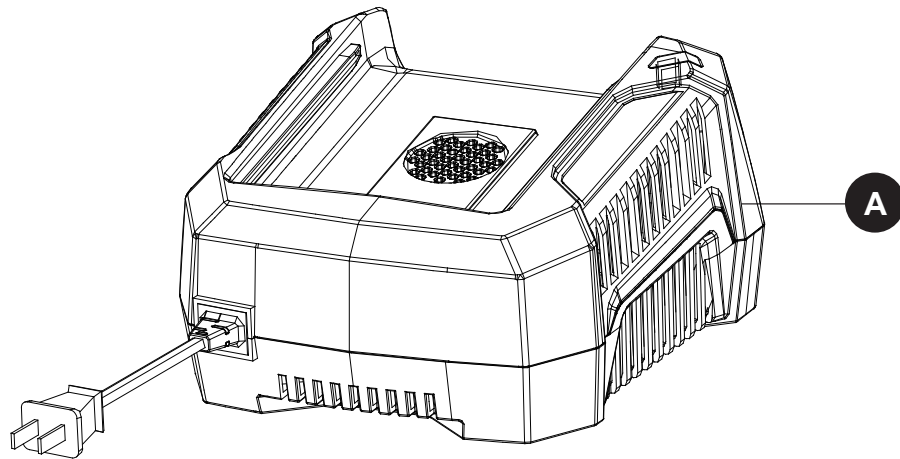


Questions, problems, missing parts? Before returning to your retailer, call our customer service department at **1-888-3KOBALT** (1-888-356-2258) 8 a.m. - 8 p.m., EST, Monday - Friday.

PRODUCT SPECIFICATIONS

COMPONENTS	SPECIFICATIONS
Charger	80 V Charger
Model No.	KRC 30-06
Input	120V, 50/60HZ, 5.0 A Max
Output	80 V DC

PACKAGE CONTENTS



PART	DESCRIPTION	QUANTITY
A	Charger	1

SAFETY INFORMATION

IMPORTANT SAFETY INSTRUCTIONS

Save these instructions - Danger: to reduce risk of fire or electric shock, carefully follow these instructions.

- Confirm the voltage available at each location before using the charger.
- Do not allow liquid inside the charger.
- Do not try to use the charger for any other purpose than what is presented in this manual.
- Do not cover the ventilation slots on the top of the charger. Do not set the charger on a soft surface, i.e. blanket, pillow. Keep the ventilation slots of the charger clear.
- Do not allow small metal items or material such as steel wool, aluminum foil, or other foreign particles into the charger cavity.

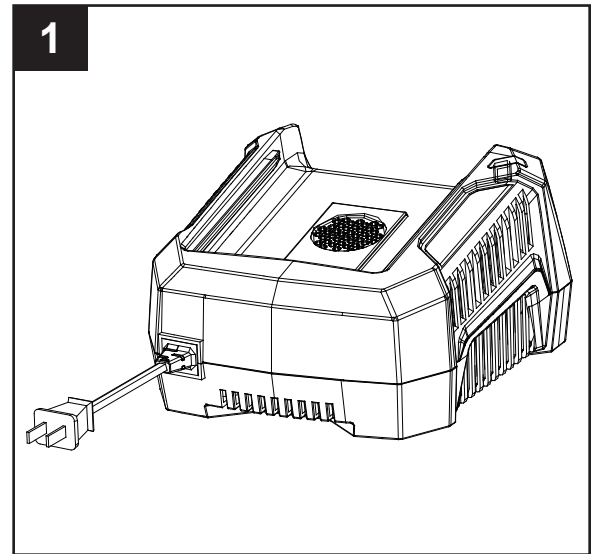
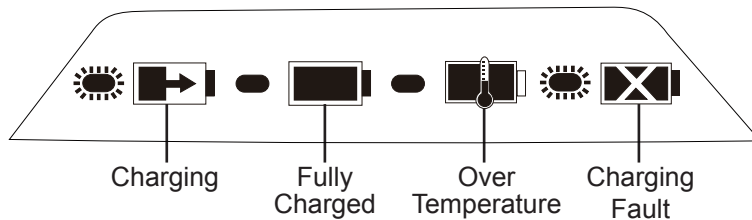
OPERATING INSTRUCTIONS

1. Charging procedure

Plug the charger into an AC power outlet.

- Insert the battery into the charger. A fully discharged battery pack will require approximately 30 minutes (2Ah) to fully charge from a discharged state.

This is a diagnostic charger. The charger LED lights will illuminate in specific order to communicate the current battery status. They are as follows:



LED STATUS	DESCRIPTION
Blinking Green	Charging
Solid Green	Fully Charged
Solid Red	Over Temperature
Blinking Red	Charging Fault

False defect note:

When the battery is inserted into the charger and the status LED blinks RED, remove the battery from the charger for 1 minute, then reinsert. If the status LED blinks GREEN, then the battery is properly charging. If the status LED is still blinking RED, remove the battery and unplug the charger for 1 minute. After 1 minute, plug in the charger and reinsert the battery. If the status LED blinks GREEN, then the battery is properly charging. If the status LED is still blinking RED, the battery is defective and needs to be replaced.

Battery storage:

If the battery will not be used for 3 months or more, please store the battery in a room temperature environment. Please fully charge before storage.

Low voltage charging:

If the battery has been stored with little to no charge for a long period of time, the charger will go into recovery mode, which will take 20 hrs to fully charge the battery. This will enhance the life of the battery. Once it is fully charged, the next charge will return to standard charging.

OPERATING INSTRUCTIONS

WARNING

If the battery is inserted into the charger when warm or hot, the charging LED indicator light on the charger may switch on and illuminate RED. If this occurs, allow the battery to cool inside of the charger. The battery will begin charging once it has returned to charging temperature.

2. Checking the charge

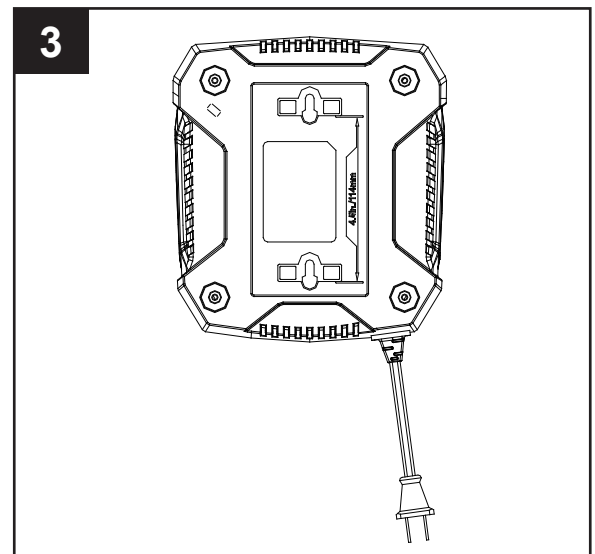
If the battery pack does not charge properly:

- Check the current at the power outlet with another tool. Make sure that the outlet is not turned off.
- Check that the charger contacts have not been shorted by debris or foreign material.
- If the air temperature is above 100°F or below 45°F, move the charger and battery pack to a room temperature location.

3. Charger mounting

- This charger can be installed hanging on a wall using #8 screws (not included).
- Locate the placement for the charger to be wall mounted.
- If fastening to wood studs, use 2 wood screws (not included).
- Drill two holes on center 4.5 in. apart ensuring that they are vertically aligned.
- If fastening to drywall, use wall anchors (not included) and screws to secure the charger to the wall.

Note: If the battery and the charger won't be used for a long time, remove the battery from the charger and pull out the AC power plug.



CARE AND MAINTENANCE

- Keep the charger clean and clear of debris. Do not allow foreign material to get into the recessed cavity or onto the contacts. Wipe the charger clean with a dry cloth. Do not use solvents or water, and do not place the charger in wet conditions.
- Unplug the charger when there is no battery pack in it.
- The battery pack may be stored in the charger; however, it is recommended to disconnect the charger from the power source.
- To ensure safety and reliability, all repairs should be performed by a qualified service technician.
- Check that the charger contacts have not been shorted by debris or foreign material.
- Store the charger at normal room temperature. Do not store it in excessive heat. Do not use the charger in direct sunlight. Recharge at room temperature between 45°F and 104°F. If the battery pack is hot, allow it to cool inside the charger.

WARRANTY

Kobalt charger

3-YEAR HASSLE-FREE WARRANTY

This Kobalt charger is warranted to the original purchaser from the original purchase date for three (3) years subject to the warranty coverage described herein.

This Kobalt charger is warranted for the original user to be free from defects in material and workmanship.

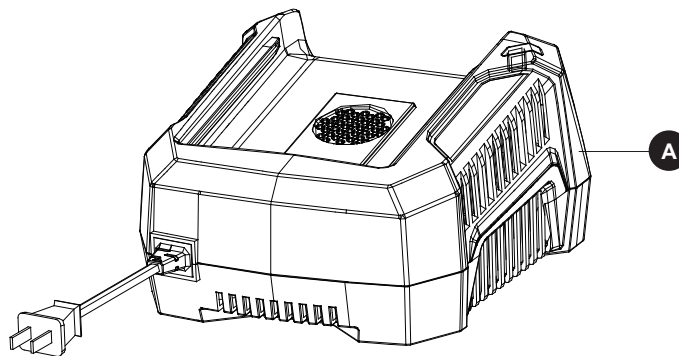
If you believe that the Kobalt charger is defective at any time during the specified warranty period, simply return the Kobalt charger along with proof of purchase to the place of purchase for a free replacement or refund.

This warranty is void if: defects in materials or workmanship or damages result from repairs or alterations which have been made or attempted by others or the unauthorized use of nonconforming parts; the damage is due to normal wear, damage is due to abuse (including overloading of the tool beyond capacity), improper maintenance, neglect or accident; or the damage is due to the use of the tool after partial failure or use with improper accessories or unauthorized repair or alteration.

This warranty gives you specific legal rights, and you may also have other rights that vary from state to state.

REPLACEMENT PARTS LIST

For replacement parts, call our customer service department at **1-888-3KOBALT** (1-888-356-2258), 8 a.m. - 8 p.m., EST, Monday - Friday.



PART	DESCRIPTION	PART#
A	80 V Charger	311011222

Printed in China

Kobalt® is a registered trademark of LF, LLC. All Rights Reserved.

kobalttools.com 