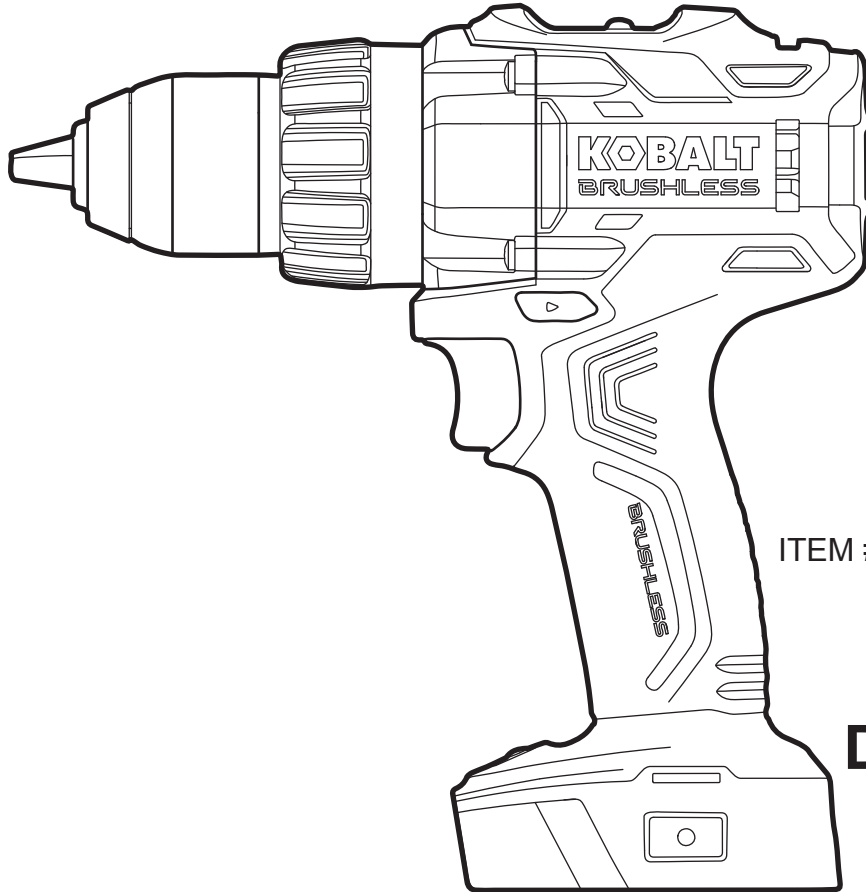


KOBALT®



ITEM #0672826/0672827/0672823

1/2 IN BRUSHLESS DRILL/DRIVER

MODEL #KDD 524B-03

KOBALT® and the K Design® are registered trademarks of LF, LLC. All Rights Reserved.

Español p. 17

ATTACH YOUR RECEIPT HERE

Serial Number _____ Purchase Date _____



Questions, problems, missing parts? Before returning to your retailer, call our customer service department at 1-888-3KOBALT (1-888-356-2258), 8 a.m. - 8 p.m., EST, Monday - Friday.

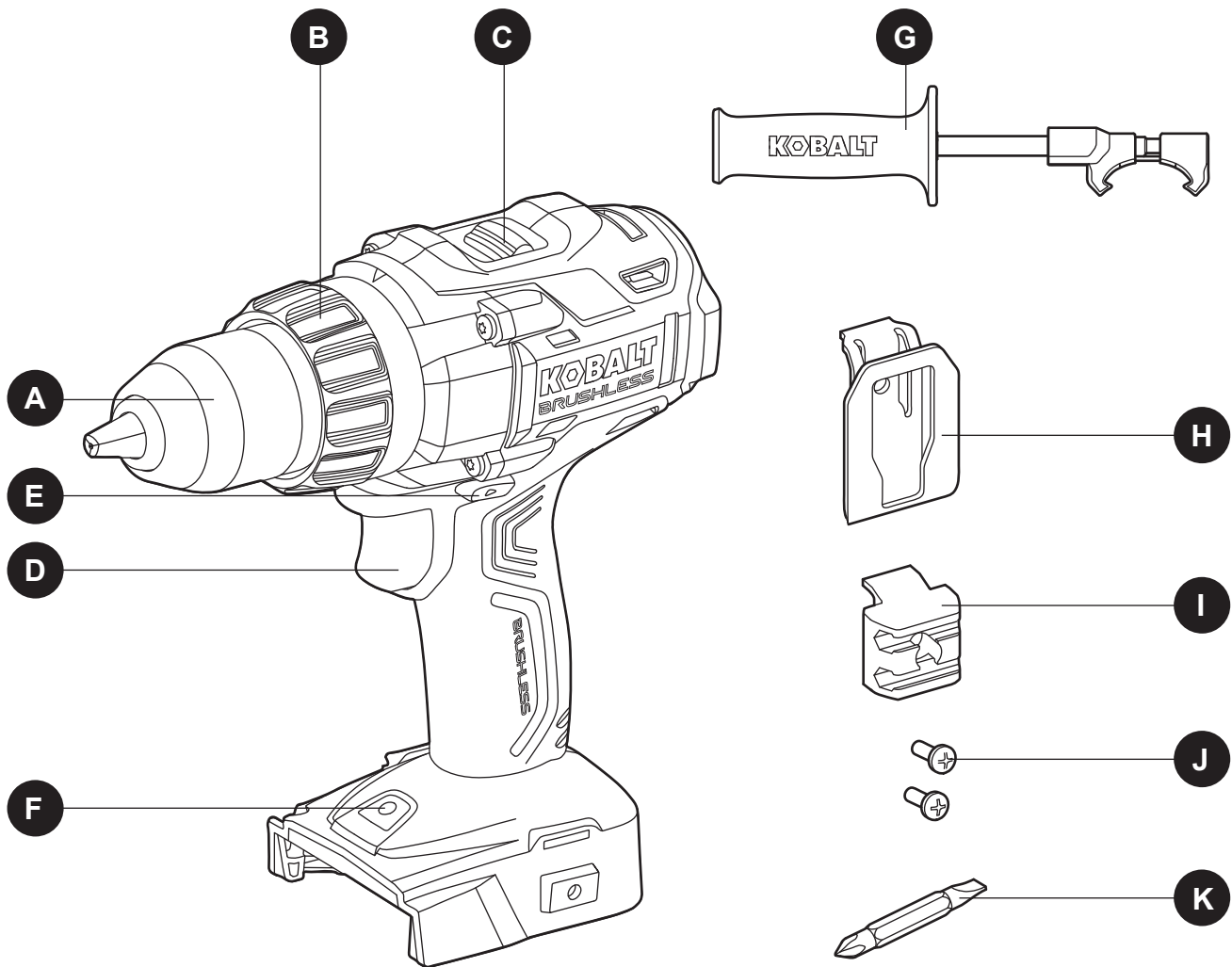
TABLE OF CONTENTS

Product Specifications	2
Package Contents	3
Safety Information	4
Preparation	7
Operating Instructions	8
Care and Maintenance	15
Troubleshooting	15
Warranty	16

PRODUCT SPECIFICATIONS

COMPONENT	SPECIFICATION
Rated voltage	24 V d.c.
No-load speed	0-550/0-2,000 RPM
Chuck capacity	1/2 in.
Maximum torque	650 in. lbs.

PACKAGE CONTENTS



PART	DESCRIPTION
A	Keyless chuck
B	Adjustable torque clutch
C	Gear selector
D	Variable-speed trigger switch
E	Direction-of-rotation selector (forward/center-lock/reverse)

PART	DESCRIPTION
F	LED work light
G	Auxiliary handle
H	Belt clip
I	Bit holder
J	Screws (2)
K	Double end bit

WARNING

- Remove the tool from the package and examine it carefully. Do not discard the carton or any packaging material until all parts have been examined.
- If any part of the tool is missing or damaged, do not attach the battery pack or use the tool until the part has been repaired or replaced. Failure to heed this warning could result in serious injury.



SAFETY INFORMATION

Please read and understand this entire manual before attempting to assemble or operate this product. If you have any questions regarding the product, please call customer service at 1-888-3KOBALT, 8 a.m. - 8 p.m., EST, Monday - Friday.



WARNING

- The operation of any power tool can result in foreign objects being thrown into your eyes, which can result in severe eye damage. Before beginning power-tool operation, always wear safety goggles or safety glasses with side shields and a full-face shield, when needed. We recommend using a wide vision safety mask over eyeglasses or standard safety glasses with shields. Always use eye protection marked to comply with ANSI Z87.1.
- Some dust created by power sanding, sawing, grinding, drilling, and other construction activities contains chemicals known to the state of California to cause cancer, birth defects, or other reproductive harm. Some examples of these chemicals are:
 - Lead from lead-based paints
 - Crystalline silica from bricks, cement, and other masonry products
 - Arsenic and chromium from chemically-treated lumber
- Your risk from these exposures varies, depending upon how often you do this type of work. To reduce your exposure to these chemicals:
 - Work in a well-ventilated area.
 - Work with approved safety equipment, such as dust masks that are specially designed to filter out microscopic particles.
 - Avoid prolonged contact with dust from power sanding, sawing, grinding, drilling, and other construction activities. Wear protective clothing and wash exposed areas with soap and water. Allowing dust to get into your mouth or eyes or to lie on the skin may promote absorption of harmful chemicals.

Know the Tool

To operate this tool, carefully read this manual and all labels affixed to the tool before using it. Keep this manual available for future reference.

Important

This tool should be serviced only by a qualified service technician.

Read All Instructions Thoroughly



SAFETY INFORMATION

Some of the following symbols may be used on this tool. Please study them and their meaning. Proper interpretation of these symbols will allow you to operate the tool better and more safely.

SYMBOL	DEFINITION	SYMBOL	DEFINITION
V	Volts	n_0	No-load Speed
A	Amps	/min	Revolutions or Strokes per Minute
Hz	Hertz		Direct Current
W	Watts		Alternating Current

General Power Tool Safety Warnings



WARNING

- **Read all safety warnings and all instructions.** Failure to follow the warnings and instructions may result in electric shock, fire and/or serious injury.

Save all warnings and instructions for future reference

The term “power tool” in the warnings refers to your mains-operated (corded) power tool or battery-operated (cordless) power tool.

Work Area Safety

- **Keep work area clean and well lit.** Cluttered or dark areas invite accidents.
- **Do not operate power tools in explosive atmospheres, such as in the presence of flammable liquids, gases or dust.** Power tools create sparks, which may ignite the dust or fumes.
- **Keep children and bystanders away while operating a power tool.** Distractions can cause you to lose control.

Electrical Safety

- **Power tool plugs must match the outlet. Never modify the plug in any way. Do not use any adaptor plugs with earthed (grounded) power tools.** Unmodified plugs and matching outlets will reduce the risk of electric shock.
- **Avoid body contact with earthed or grounded surfaces such as pipes, radiators, ranges and refrigerators.** There is an increased risk of electric shock if your body is earthed or grounded.
- **Do not expose power tools to rain or wet conditions.** Water entering a power tool will increase the risk of electric shock.
- **Do not abuse the cord. Never use the cord for carrying, pulling or unplugging the power tool. Keep cord away from heat, oil, sharp edges or moving parts.** Damaged or entangled cords increase the risk of electric shock.



SAFETY INFORMATION

- **When operating a power tool outdoors, use an extension cord suitable for outdoor use.** Use of a cord suitable for outdoor use reduces the risk of electric shock.
- **If operating a power tool in a damp location is unavoidable, use a ground-fault circuit interrupter (GFCI) protected supply.** Use of a GFCI reduces the risk of electric shock.

Personal Safety

- **Stay alert, watch what you are doing and use common sense when operating a power tool. Do not use a power tool while you are tired or under the influence of drugs, alcohol or medication.** A moment of inattention while operating power tools may result in serious personal injury.
- **Use personal protective equipment. Always wear eye protection.** Protective equipment such as dust mask, non-skid safety shoes, hard hat, or hearing protection, used for appropriate conditions, will reduce personal injuries.
- **Prevent unintentional starting. Ensure the switch is in the off-position before connecting to power source and/or battery pack, picking up or carrying the tool.** Carrying power tools with your finger on the switch or energizing power tools that have the switch on invites accidents.
- **Remove any adjusting key or wrench before turning the power tool on.** A wrench or a key left attached to a rotating part of the power tool may result in personal injury.
- **Do not overreach. Keep proper footing and balance at all times.** This enables better control of the power tool in unexpected situations.
- **Dress properly. Do not wear loose clothing or jewelry. Keep your hair, clothing and gloves away from moving parts.** Loose clothes, jewelry or long hair can be caught in moving parts.
- **If devices are provided for the connection of dust extraction and collection facilities, ensure that these are connected and properly used.** Use of these devices can reduce dust-related hazards.

Power Tool Use and Care

- **Do not force the power tool. Use the correct power tool for your application.** The correct power tool will do the job better and safer at the rate for which it was designed.
- **Do not use the power tool if the switch does not turn it on and off.** Any power tool that cannot be controlled with the switch is dangerous and must be repaired.
- **Disconnect the plug from the power source and/or the battery pack from the power tool before making any adjustments, changing accessories, or storing power tools.** Such preventive safety measures reduce the risk of starting the power tool accidentally.
- **Store idle power tools out of the reach of children and do not allow persons unfamiliar with the power tool or these instructions to operate the power tool.** Power tools are dangerous in the hands of untrained users.
- **Maintain power tools. Check for misalignment or binding of moving parts, breakage of parts and any other condition that may affect the power tool's operation. If damaged, have the power tool repaired before use.** Many accidents are caused by poorly maintained power tools.
- **Keep cutting tools sharp and clean.** Properly maintained cutting tools with sharp cutting edges are less likely to bind and are easier to control.
- **Use the power tool, accessories, tool bits, etc., in accordance with these instructions, taking into account the working conditions and the work to be performed.** Use of the power tool for operations different from those intended could result in a hazardous situation.



SAFETY INFORMATION

Battery Tool Use and Care

- **Recharge only with the charger specified by the manufacturer.** A charger that is suitable for one type of battery pack may create a risk of fire when used with another battery pack.
- **Use power tools only with specifically designated battery packs.** Use of any other battery packs may create a risk of injury and fire.
- **When battery pack is not in use, keep it away from other metal objects like paper clips, coins, keys, nails, screws or other small metal objects that can make a connection from one terminal to another.** Shorting the battery terminals together may cause burns or a fire.
- **Under abusive conditions, liquid may be ejected from the battery; avoid contact. If contact accidentally occurs, flush with water. If liquid contacts eyes, additionally seek medical help.** Liquid ejected from the battery may cause irritation or burns.

Service

- **Have your power tool serviced by a qualified repair person using only identical replacement parts.** This will ensure that the safety of the power tool is maintained.

Specific Safety Warnings for Drill/Driver

- **Use auxiliary handle(s) if supplied with the tool.** Loss of control can cause personal injury.
- **Hold power tools by insulated gripping surfaces when performing an operation where the cutting accessory may contact hidden wiring or its own cord.** Cutting accessory contacting a “live” wire may make exposed metal parts of the power tool “live” and could give the operator an electric shock.
- Secure the work piece. Clamping devices or a vise will hold the work piece in place better and more safely than holding it by hand.
- Always wait until the machine has come to a complete stop before placing it down. The tool insert can jam and lead to loss of control over the power tool.
- When working with the power tool, always hold it firmly with both hands and assume a secure stance. The power tool is guided more securely with both hands.

PREPARATION

Know Your Drill/Driver

Before attempting to use the drill/driver, familiarize yourself with all of its operating features and safety requirements.

Helpful tool (not included): Phillips screwdriver.



WARNING

- Do not allow familiarity with the drill/driver to cause carelessness. Remember that one careless moment is enough to cause severe injury. Before attempting to use any tool, be sure to become familiar with all of the operating features and safety instructions.
- Do not attempt to modify this tool or create accessories not recommended for use with this tool. Any such alteration or modification is misuse and could result in a hazardous condition leading to possible serious personal injury.

OPERATING INSTRUCTIONS

1. Battery Pack

To Attach Battery Pack

- Place the direction-of-rotation selector (E) in the center lock position.
- Align the raised portion on the battery pack with the grooves on the bottom of the tool, then slide the battery pack onto the tool as shown.
- Make sure that the latch on the battery pack snaps into place and the battery pack is secured to the tool before beginning operation.

NOTICE: When placing the battery pack on the tool, be sure that the raised rib on battery pack aligns with the groove on the tool and the latches snap into place properly. Improper assembly of the battery pack can cause damage to internal components.

To Detach Battery Pack

- Place the direction-of-rotation selector (E) in the center lock position.
- Press the battery-release buttons to release the battery pack.
- Pull forward on the battery pack to remove it from the tool.

WARNING

- Battery tools are always in operating condition. Therefore, the direction-of-rotation selector (E) should always be locked (center) when the tool is not in use or when carrying the tool at your side.

2. Variable-speed Trigger Switch

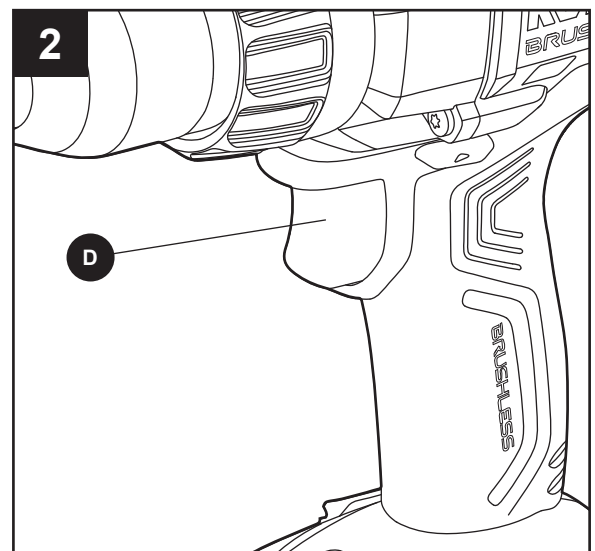
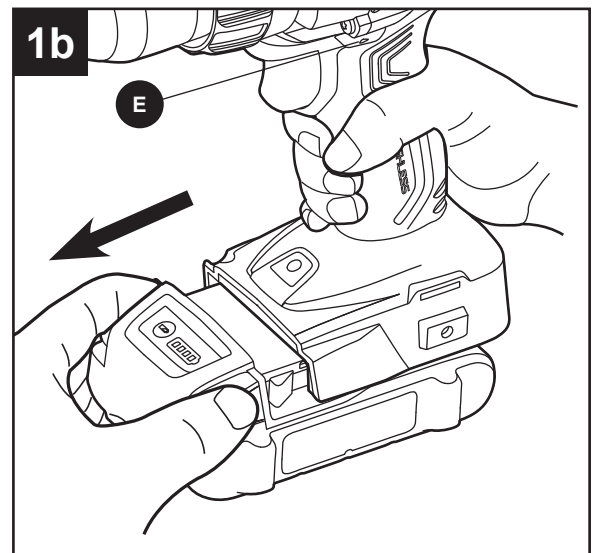
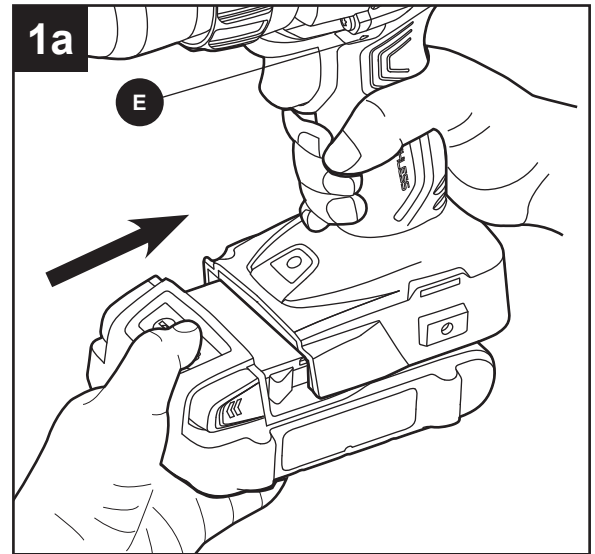
- To turn the drill/driver ON, depress the trigger switch (D).
- To turn it OFF, release the trigger switch.

Variable Speed

The variable-speed trigger switch delivers higher speed with increased trigger pressure and lower speed with decreased trigger pressure.

Electric Brake

The drill/driver is equipped with an electric brake. When the trigger switch is released, the electric brake engages automatically to quickly stop rotation.



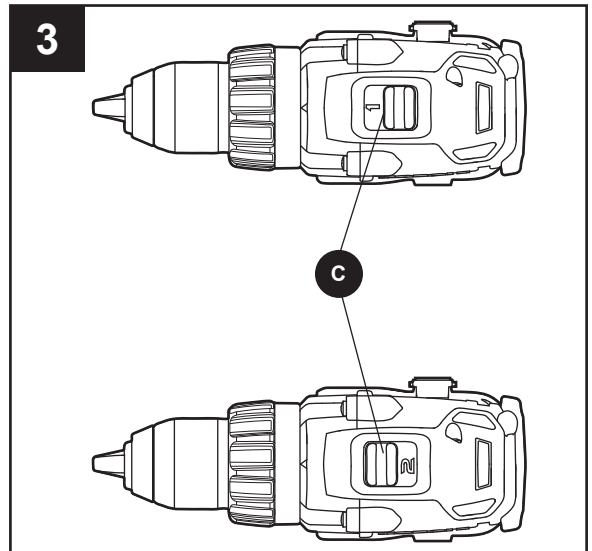
OPERATING INSTRUCTIONS

3. Two-Speed Gear Box

The drill/driver has a two-speed gear box designed for drilling or driving at two different variable-speed ranges. The gear selector (C) is located on the top of the drill/driver, allowing you to select either 1 (Low) speed range or 2 (High) speed range.

- Setting 1 will deliver lower speeds and increased power and torque. Use setting 1 for heavy-duty work or driving screws.
- Setting 2 will deliver higher speeds and reduced power and torque. Use setting 2 for drilling wood and wood composites and for using abrasive and polishing accessories.

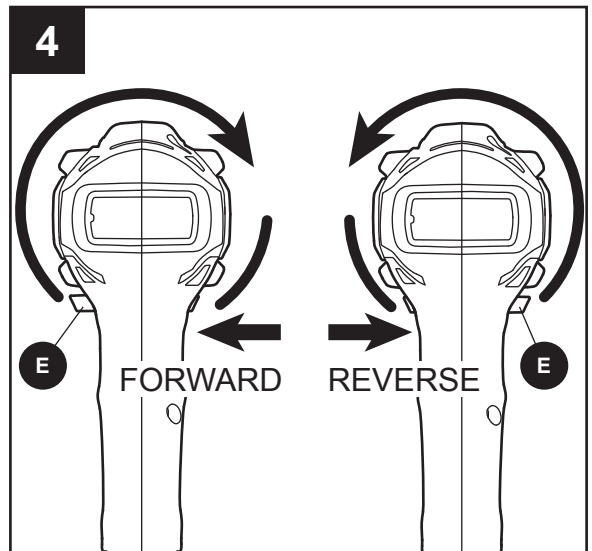
NOTICE: Never change gears while the tool is running. Failure to obey this caution could result in serious damage to the drill/driver.



4. Direction-of-Rotation Selector (Forward/Center Lock/Reverse)

The direction of bit rotation is reversible and is controlled by a selector located above the trigger switch (D). With the drill/driver held in the normal operating position, pointing away from you:

- Position the direction-of-rotation selector (E) to the left of the tool for forward rotation.
- Position the direction-of-rotation selector to the right of the tool for reverse rotation.
- Setting the selector in the center (lock) position helps reduce the possibility of accidental starting when not in use.



NOTICE: To prevent gear damage, always allow the drill/driver to come to a complete stop before changing the direction of rotation.

NOTICE: The drill/driver will not run unless the direction-of-rotation selector is engaged fully to the left or right.

OPERATING INSTRUCTIONS

5. LED Work Light

The LED worklight (F), located on the base of the drill/driver, will illuminate when the trigger switch is depressed. This provides additional light on the surface of the work piece for operation in lower-light areas.

The LED work light will turn off after the trigger switch is released.

- The LED worklight will blink rapidly if the tool has stopped working in order to protect internal circuits; please wait for the tool to cool down, at which point it can be started again.
- The LED worklight will blink slowly to indicate that the battery charge is very low.

6. Keyless Chuck


The drill/driver has a keyless chuck (A) to tighten or release drill bits in the chuck jaws. The arrows on the chuck indicate the direction in which to rotate the chuck body in order to GRIP (tighten) or OPEN (release) the chuck jaws on the drill bit.

7. Adjustable Torque Clutch

The torque clutch can be adjusted to 23 driving settings and 1 drilling setting.

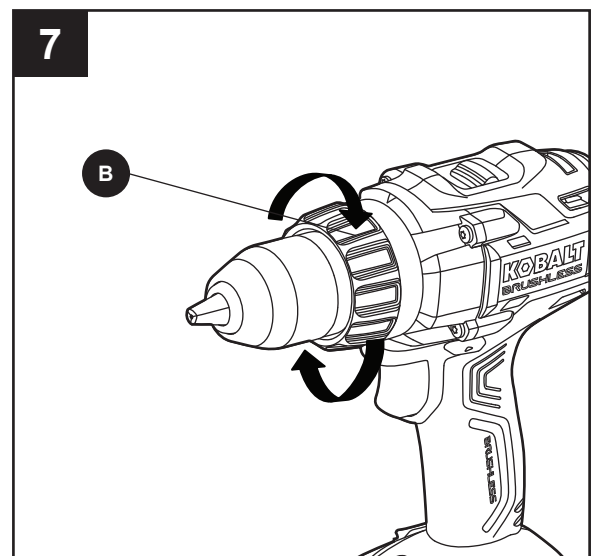
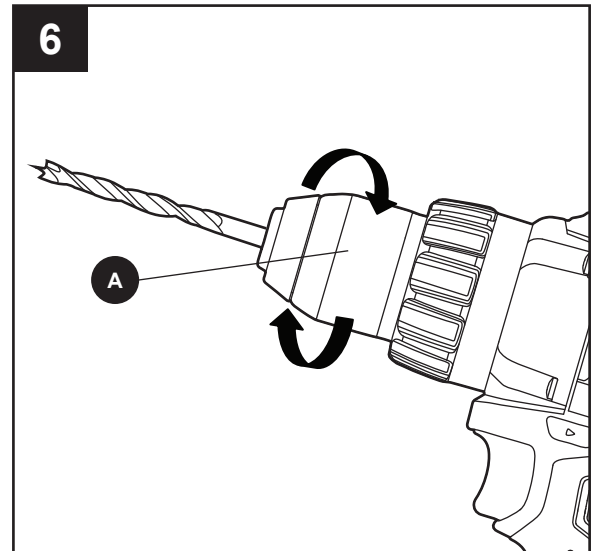
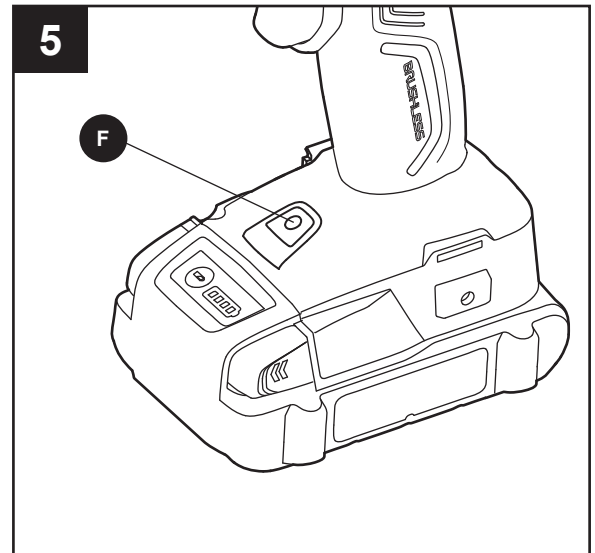
Adjust the torque by rotating the torque clutch (B). The higher the torque setting, the more force the drill/driver produces to turn an object.

The proper setting depends on the job and the type of bit, fastener, and material you will be using. In general, use greater torque for larger screws. If the torque is too high, the screws may be damaged or broken.

Select the drill mode  for drilling and other heavy-duty applications.

CAUTION

- Do not change the torque setting when the tool is running.



OPERATING INSTRUCTIONS

8. Installing and Removing the Belt Clip

- Align the rib of the belt clip (H) with the hole on the base of the driver.
- Insert the screw (J) and tighten the screw securely with a Phillips screwdriver (not included).
- To remove the belt clip, use a Phillips screwdriver to loosen the screw holding the belt clip to the driver.

9. Installing and Removing the Bit Holder

- Align the rib of the bit holder (I) with the hole on the base of the impact driver.
- Insert the screw (J) and tighten the screw securely with a Phillips screwdriver (not included).
- To remove the bit holder, use a Phillips screwdriver to loosen the screw holding the bit holder to the driver.

10. Auxiliary Handle

This drill/driver is equipped with an auxiliary handle (G). For ease of operation, you can use the handle with either the left or the right hand. The handle can be rotated 90° and locked in any of three positions.

To install the auxiliary handle:

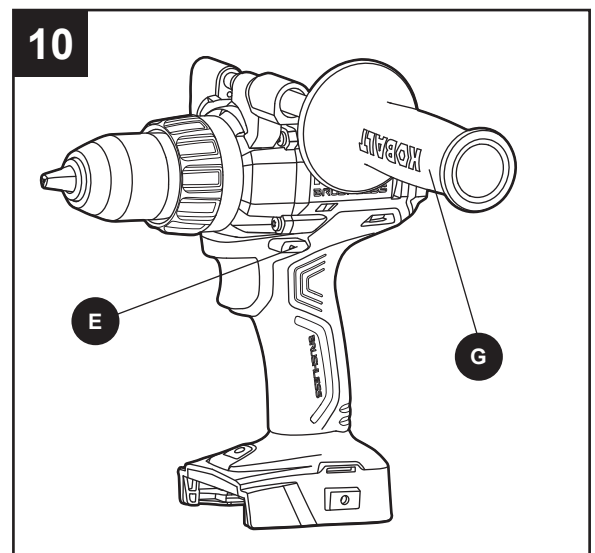
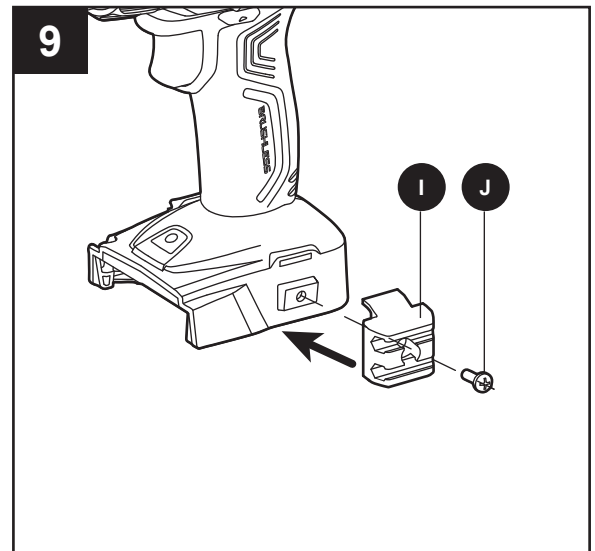
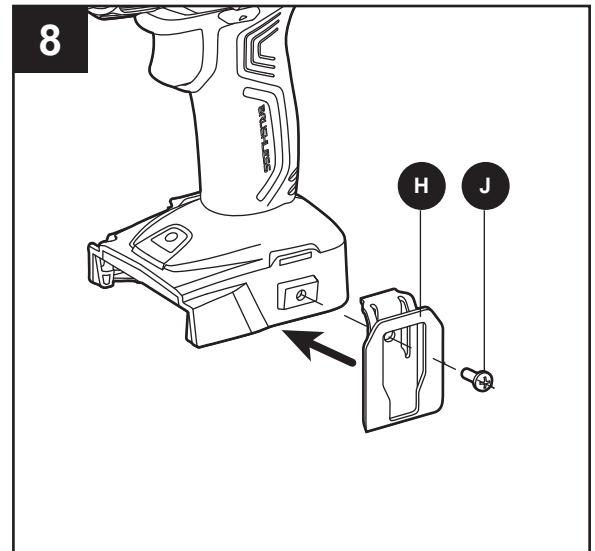
- Place the direction-of-rotation selector (E) in the center lock position.
- Loosen the auxiliary handle by turning the handle counterclockwise.
- Align the raised portion on the auxiliary handle with the grooves on gear box of the drill/driver, then slide the auxiliary handle onto the tool as shown.
- Hand-tighten the handle by turning the handle clockwise.

To remove the auxiliary handle:

- Place the direction-of-rotation selector (E) in the center lock position.
- Loosen the auxiliary handle by turning the handle counterclockwise.
- Remove the auxiliary handle from the tool.

WARNING

- For safety and ease of operation, securely tighten the auxiliary handle by turning the handle clockwise before every use.



OPERATING INSTRUCTIONS

11. Bits

Installing Bits

- Place the direction-of-rotation selector (E) in the center lock position.
- Open or close the chuck jaws to a point where the opening is slightly larger than the shank of the bit you intend to use.
- Insert the bit.
- Tighten the chuck jaws securely on the bit.

NOTICE: Rotate the chuck body in the direction of the arrow marked GRIP to close the chuck jaws. Do not use a wrench to tighten or loosen the chuck jaws.

WARNING

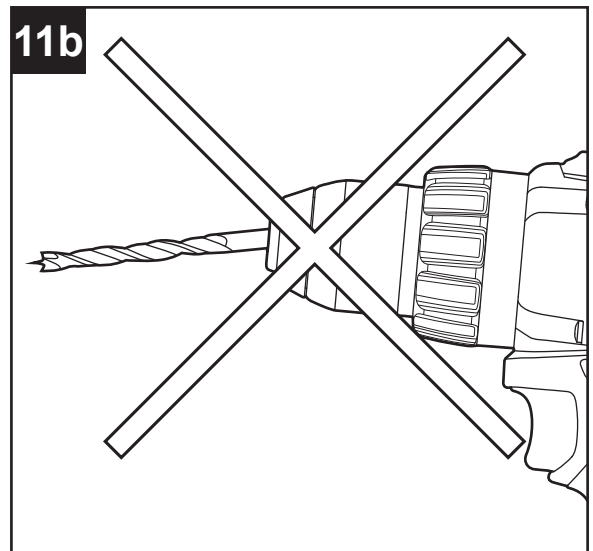
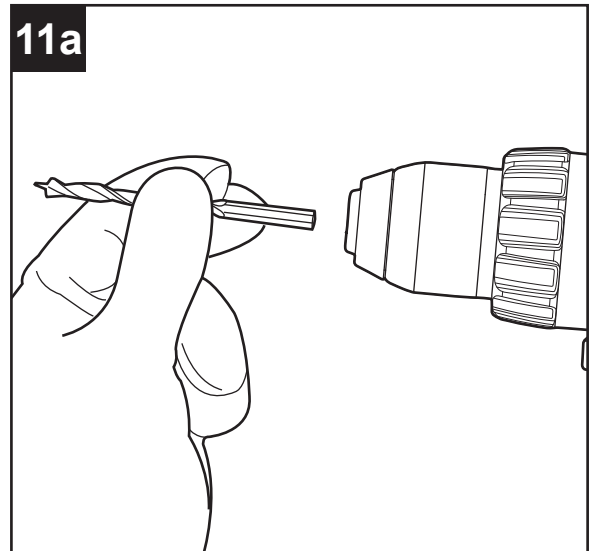
- Make sure to insert the drill bit straight into the chuck jaws. Do not insert the drill bit into the chuck jaws at an angle and then tighten the chuck as shown in Fig. 9b. This could cause the drill bit to be thrown from the drill/driver, resulting in possibly serious personal injury or damage to the chuck.

Removing Bits

- Place the direction-of-rotation selector (E) in the center lock position.
- Open the chuck jaws.
- Remove the drill bit.

WARNING

- Do not hold the chuck body with one hand and use the power of the drill/driver to tighten or loosen the chuck jaws on the drill bit. The chuck body could slip in your hand, or your hand could slip and come in contact with the rotating bit. This could cause an accident resulting in serious personal injury.

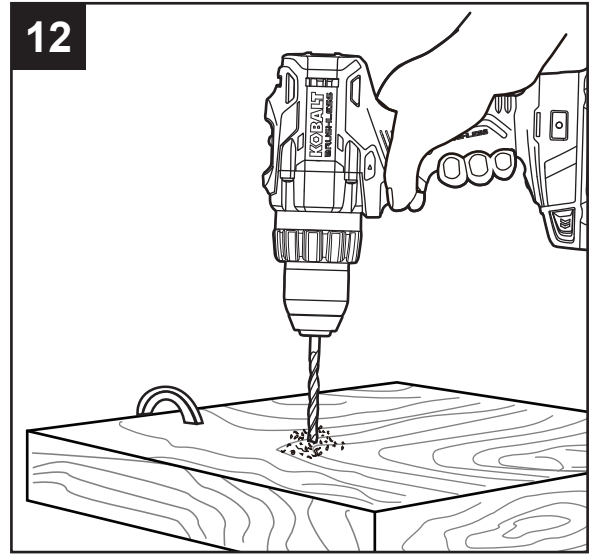


OPERATING INSTRUCTIONS

12. Drilling

WARNING

- Always wear safety goggles or safety glasses with side shields during power tool operation or when blowing dust. If operation is dusty, also wear a dust mask.
- a. Check the direction-of-rotation selector (E) for the correct setting (forward or reverse).
 - b. Secure the material to be drilled in a vise or with clamps to keep it from turning as the drill bit rotates.
 - c. Hold the drill/driver firmly and place the bit at the point to be drilled.
 - d. Depress the variable-speed trigger switch (D) to start the drill/driver.
 - e. Move the drill bit into the work piece, applying only enough pressure to keep the bit drilling. Do not force the drill/driver or apply side pressure to elongate a hole. Let the tool do the work.
 - f. When drilling hard, smooth surfaces, use a center punch (sold separately) to mark the desired location of the hole. This will prevent the drill bit from slipping off center as the hole is started.
 - g. If the bit jams in the work piece or if the drill/driver stalls, stop the tool immediately. Remove the bit from the work piece and determine the reason for jamming.
 - h. To stop the drill/driver, release the variable speed trigger switch and allow the tool to come to a complete stop.



Wood Drilling

- a. For maximum performance, use high-speed steel or brad-point bits for drilling wood.
- b. Begin drilling at a very low speed to prevent the bit from slipping off the starting point.
- c. Increase speed as the drill bit bites into the material.
- d. When drilling “through” holes, place a block of wood behind the work piece to prevent ragged or splintered edges on the back side of the hole.

Metal Drilling

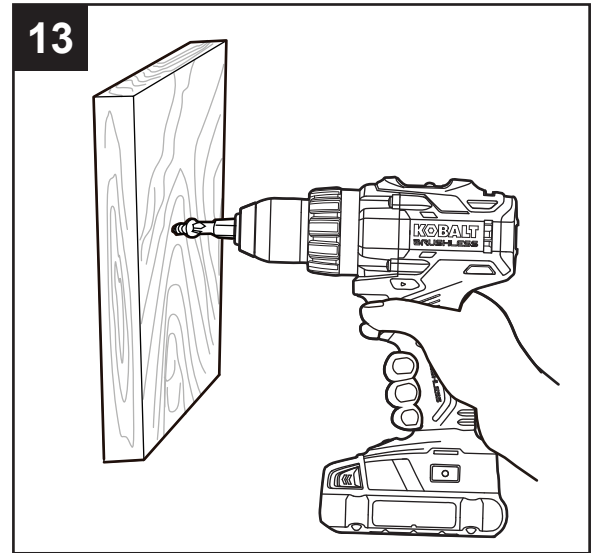
- a. For maximum performance, use high-speed steel bits for drilling metal or steel.
- b. When drilling metals, use light oil on the drill bit to keep it from overheating. The oil will prolong the life of the bit and increase the drilling action.
- c. Begin drilling at a very low speed to prevent the bit from slipping off the starting point.
- d. Maintain a speed and pressure which will allow cutting without overheating the bit. Applying too much pressure will:
 - Overheat the drill/driver.
 - Wear the bearings.
 - Bend or burn bits.
 - Produce off-center or irregularly-shaped holes.

OPERATING INSTRUCTIONS

13. Screw Driving

Try to use standard-type screws for easy driving and improved grip.

- a. Install the correct driver bit.
- b. Ensure that the torque-adjustment ring is set to the most suitable setting. If in doubt, start with a low setting and gradually increase the setting as necessary. Do not change the torque setting when the tool is running.
- c. Use the correct speed range for the job and initially apply minimal pressure to the variable-speed trigger switch. Increase the speed only when full control can be maintained.
- d. It is advisable to drill a pilot hole first. This hole should be slightly longer than the screw to be driven and just smaller than the shank diameter of the screw. The pilot hole will act as a guide for the screw and will also make tightening the screw less difficult. When screws are positioned close to an edge of the material, a pilot hole will also help to prevent splitting of the wood.
- e. Use a countersinking bit (sold separately) to accommodate the screw head so that it does not protrude from the surface.
- f. Keep sufficient pressure on the drill to prevent the bit turning out of the screw head. The screw head can easily become damaged, making it difficult to drive home or remove.
- g. To stop the drill/driver, release the trigger switch and allow the tool to come to a complete stop.



CARE AND MAINTENANCE

! All maintenance should only be carried out by a qualified technician.

Cleaning

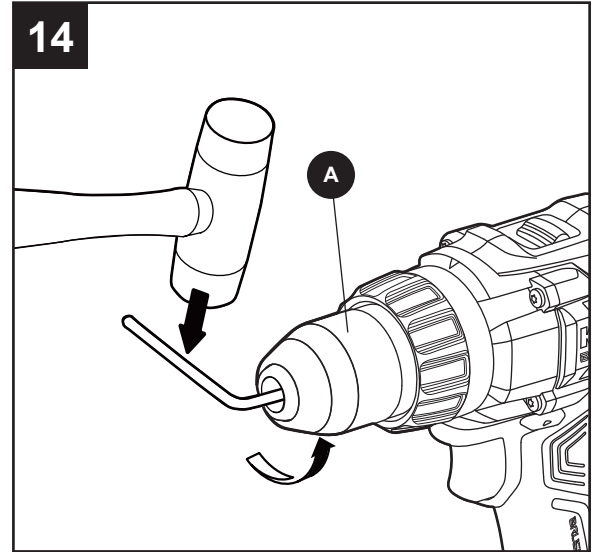
Before cleaning or performing any maintenance, remove the battery pack from the drill/driver. For safe and proper operation, always keep the tool and its ventilation slots clean.

Always use only a soft, dry cloth to clean your drill/driver. Never use detergent or alcohol.

14. Chuck Removal

The keyless chuck (A) can be removed and replaced.

- Lock the trigger switch by placing the direction-of-rotation selector (E) in the center position.
- Open the chuck jaws.
- Use a screwdriver (not included) to remove the chuck screw by turning it in a clockwise direction.
- Insert a 5/16-in. or larger hex key (not included) into the chuck of the drill/driver and securely tighten the chuck jaws around the hex key.
- Tap the hex key sharply with a mallet (not included) in a counterclockwise direction. This will loosen the chuck for easy removal.



NOTICE: The chuck screw has left-handed threads. Attach a new chuck to the spindle and tighten the chuck screw.

TROUBLESHOOTING

! WARNING

- Place the direction-of-rotation selector (E) in the center lock position and detach the battery pack from the drill/driver before performing troubleshooting procedures.

PROBLEM	POSSIBLE CAUSE	CORRECTIVE ACTION
The drill/driver does not work.	Battery pack is depleted.	Charge the battery pack.
Bit cannot be installed.	Chuck is not released.	Release the chuck.
	Bit does not fit the chuck.	Use an appropriate bit or use a suitable adaptor.
Motor overheating.	Cooling vents are obstructed.	Clean and clear vents. Do not cover vents with hand during operation.
The LED worklight blinks rapidly.	The tool has stopped working to protect internal circuits.	Release the trigger switch, wait for the tool to cool down, then and start the tool again.
The LED worklight blinks slowly.	The battery charge is very low.	Charge the battery.

WARRANTY

For 5 years from the date of purchase, the power tool is warranted and for 3 years from date of purchase the battery & charger are warranted for the original purchaser to be free from defects in material and workmanship. This guarantee does not cover damage due to abuse, normal wear, improper maintenance, neglect, unauthorized repair/alteration, or expendable parts and accessories expected to become unusable after a reasonable period of use.

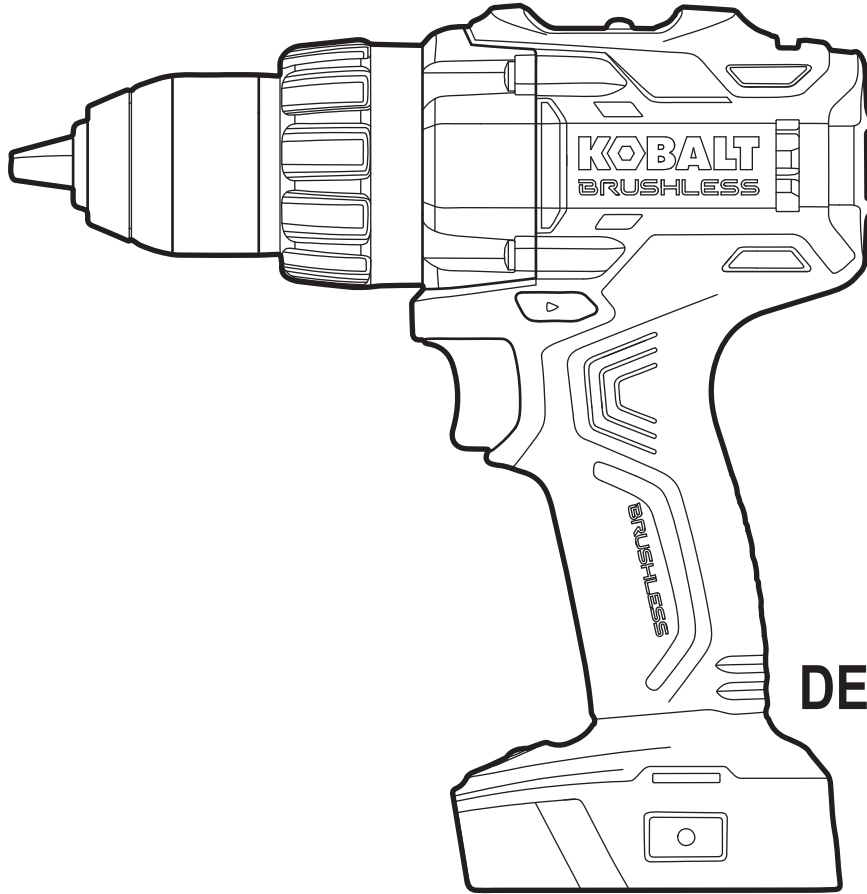
If you think your product meets the above guarantee criteria, please return it to the place of purchase with valid proof of purchase and the defective product will be repaired or replaced at no charge. This guarantee gives you specific legal rights, and you may also have other rights that vary from state to state.

Printed in China

KOBALT® and the K Design® are registered trademarks of LF, LLC. All Rights Reserved.

kobalttools.com **KOBALT**

KOBALT®



ARTÍCULO #0672826/
0672827/0672823

TALADRO/ DESTORNILLADOR SIN CEPILLO DE 1/2 PULG.

MODELO #KDD 524B-03

KOBALT® y K Design® son marcas registradas de LF, LLC. Todos los derechos reservados.

ADJUNTE SU RECIBO AQUÍ

Número de serie _____ Fecha de compra _____



¿Preguntas, problemas, piezas faltantes? Antes de volver a la tienda, llame a nuestro Departamento de Servicio al Cliente al 1-888-3KOBALT (1-888-356-2258), de lunes a viernes de 8 a.m. a 8 p.m., hora estándar del Este.

kobalttools.com **KOBALT**

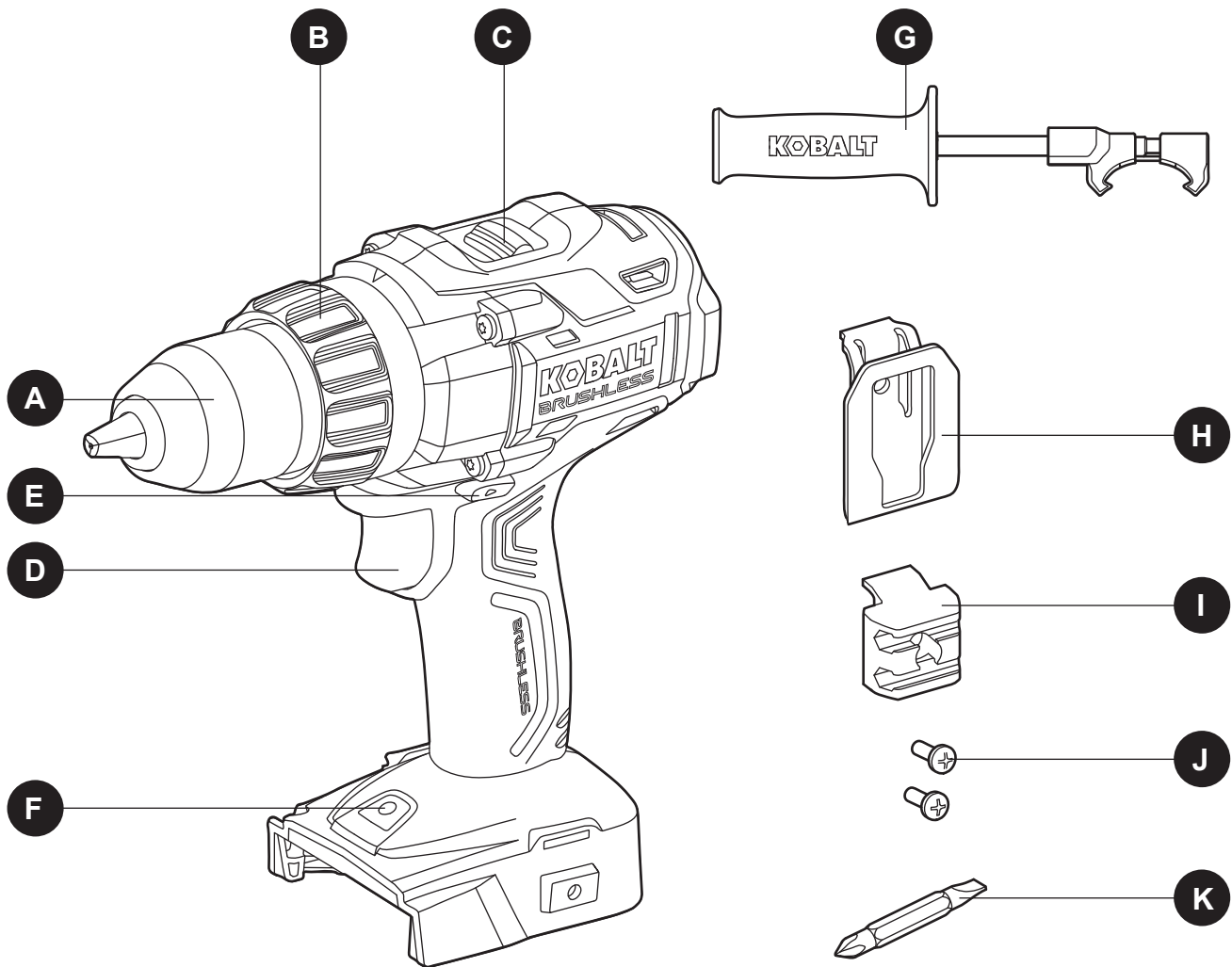
ÍNDICE

Especificaciones del producto	18
Contenido del paquete	19
Información de seguridad	20
Preparación	24
Instrucciones de funcionamiento	25
Cuidado y mantenimiento	32
Solución de problemas	33
Garantía.....	33

ESPECIFICACIONES DEL PRODUCTO

COMPONENTE	ESPECIFICACIÓN
Rango de voltaje	24 V CC
Velocidad sin carga	0-550/0-2,000 RPM
Capacidad del portabrocas	12,70 mm.
Torque máximo de	650 pies-libras

CONTENIDO DEL PAQUETE



PIEZA	DESCRIPCIÓN
A	Portabrocas sin llave
B	Embrague de torque ajustable
C	Selector de engranajes
D	Interruptor de gatillo de velocidad variable
E	Selector de dirección de rotación (hacia delante/bloqueo central/reversa)

PIEZA	DESCRIPCIÓN
F	Luz de trabajo LED
G	Manija auxiliar
H	Sujetador para cinturón
I	Soporte para brocas
J	Tornillos (2)
K	Broca de dos extremos

! ADVERTENCIA

- Retire la herramienta del paquete y examínela con cuidado. No deseche la caja ni ningún material de embalaje hasta después de examinar todas las piezas.
- Si falta alguna pieza o si alguna pieza está dañada, no coloque el paquete de baterías ni use la herramienta hasta reparar o reemplazar la pieza. El incumplimiento de esta advertencia podría provocar lesiones graves.



INFORMACIÓN DE SEGURIDAD

Lea y comprenda completamente este manual antes de intentar ensamblar u operar este producto. Si tiene preguntas relacionadas con el producto, llame al Departamento de Servicio al Cliente al 1-888-3KOBALT, de lunes a viernes de 8 a.m. a 8 p.m., hora estándar del Este.



ADVERTENCIA

- Durante el funcionamiento de cualquier herramienta eléctrica, pueden entrar objetos extraños a los ojos y causar graves daños oculares. Use siempre gafas de seguridad con protecciones laterales y, cuando sea necesario, use una máscara que cubra todo el rostro antes de comenzar a operar una herramienta eléctrica. Recomendamos usar una máscara de seguridad de visión amplia sobre los lentes o gafas de seguridad con protecciones estándar. Siempre use lentes de protección que cumplan con la norma ANSI Z87.1.
- Parte del polvo causado por el lijado eléctrico, el serruchado, la trituración, el taladro y otras actividades de construcción contiene sustancias químicas que, según el estado de California, causan cáncer, defectos congénitos u otros daños reproductivos. Algunos ejemplos de estos químicos son los siguientes:
 - Plomo de pinturas a base de plomo.
 - Sílice cristalina de ladrillo, cemento y otros productos de mampostería.
 - Arsénico y cromo de madera tratada con sustancias químicas.
- El riesgo que corre debido a la exposición a estos químicos varía según la frecuencia con que realiza este tipo de trabajo. Para disminuir su exposición a estas sustancias químicas:
 - Trabaje en un área bien ventilada.
 - Trabaje con equipo de seguridad aprobado, como las mascarillas antipolvo especialmente diseñadas para filtrar partículas microscópicas.
 - Evite estar en contacto prolongado con el polvo provocado por las lijas, sierras, trituradoras y taladros eléctricos y otras actividades de construcción. Use ropa protectora y lave todas las áreas expuestas del cuerpo con agua y jabón. Si permite que el polvo llegue a su boca o a sus ojos, o que repose sobre la piel, puede fomentar la absorción de químicos dañinos.

Conozca la herramienta

Para operar esta herramienta, lea con atención este manual y todas las etiquetas de la herramienta antes de usarla. Conserve este manual para tenerlo como referencia futura.

Importante

Solo un técnico de servicio calificado puede reparar esta herramienta.

Lea por completo todas las instrucciones



INFORMACIÓN DE SEGURIDAD

Algunos de los siguientes símbolos pueden aparecer en esta herramienta. Obsérvelos y aprenda su significado. La interpretación correcta de estos símbolos le permitirá utilizar la herramienta de manera eficaz y segura.

SÍMBOLO	DEFINICIÓN	SÍMBOLO	DEFINICIÓN
V	Voltios	n_0	Velocidad sin carga
A	Amperios	/min	Revoluciones o pasadas por minuto
Hz	Hertz		Corriente continua
W	vatios		Corriente alterna

Advertencias generales de seguridad en el manejo de herramientas eléctricas



ADVERTENCIA

- **Lea todas las advertencias de seguridad y todas las instrucciones.** El incumplimiento de las advertencias y las instrucciones podría provocar descargas eléctricas, incendios o lesiones graves.

Guarde todas las advertencias e instrucciones para referencia futura

El término “herramienta eléctrica” que aparece en las advertencias se refiere a la herramienta eléctrica que se conecta a la línea principal (con cable) o a la herramienta eléctrica que funciona con batería (inalámbrica).

Seguridad en el área de trabajo

- **Mantenga el área de trabajo limpia y bien iluminada.** Las áreas desordenadas u oscuras aumentan las posibilidades de accidentes.
- **No utilice herramientas eléctricas en atmósferas en las que exista riesgo de explosión, como por ejemplo en presencia de líquidos inflamables, gases o polvo.** Las herramientas eléctricas producen chispas que podrían encender el polvo o los gases.
- **Mantenga alejados a los niños y transeúntes durante la operación de una herramienta eléctrica.** Las distracciones pueden hacerle perder el control.

Seguridad eléctrica

- **Los enchufes de las herramientas eléctricas deben encajar en el tomacorriente. Nunca modifique el enchufe de ninguna manera. No utilice ningún enchufe adaptador con herramientas eléctricas con puesta a tierra.** Los enchufes sin modificaciones y que encajan en los tomacorrientes reducen el riesgo de descarga eléctrica.
- **Evite el contacto del cuerpo con superficies conectadas a tierra, como tuberías, radiadores, extractores o refrigeradores.** Existe un gran riesgo de descarga eléctrica si su cuerpo tiene conexión a tierra.
- **No exponga las herramientas eléctricas a la lluvia o a condiciones de humedad.** El ingreso de agua en una herramienta eléctrica aumentará el riesgo de descarga eléctrica.



INFORMACIÓN DE SEGURIDAD

- **No maltrate el cable. Nunca use el cable para transportar, jalar o desenchufar la herramienta eléctrica. Mantenga el cable alejado del calor, el aceite, los bordes filosos o las piezas en movimiento.** Los cables dañados o enredados aumentan el riesgo de descarga eléctrica.
- **Cuando opere una herramienta eléctrica en exteriores, utilice una extensión eléctrica para uso en exteriores.** La utilización de un cable apto para uso en exteriores reduce el riesgo de descarga eléctrica.
- **Si debe utilizar una herramienta eléctrica en un área húmeda, use un suministro protegido con un interruptor de circuito de falla de puesta a tierra (GFCI, por sus siglas en inglés).** El uso de un GFCI disminuye el riesgo de descarga eléctrica.

Seguridad personal

- **Manténgase alerta, observe lo que hace y actúe con sentido común al operar una herramienta eléctrica. No utilice una herramienta eléctrica si está cansado o bajo los efectos de drogas, alcohol o medicamentos.** Un momento de desatención mientras opera herramientas eléctricas puede provocar lesiones personales graves.
- **Use un equipo de protección personal. Use siempre lentes de protección.** Los equipos de protección, como mascarillas antipolvo, zapatos de seguridad antideslizantes, casco protector o protección auditiva, utilizados para las condiciones adecuadas, disminuyen las lesiones personales.
- **Evite un arranque accidental. Asegúrese de que el interruptor esté en la posición de apagado antes de conectar la fuente o la batería, levantar o transportar la herramienta.** Transportar herramientas eléctricas con el dedo en el interruptor o enchufar herramientas eléctricas que tienen el interruptor encendido aumenta las posibilidades de accidentes.
- **Retire todas las llaves de ajuste o llaves inglesas antes de encender la herramienta eléctrica.** Si se deja una llave inglesa o una llave conectada a una pieza giratoria de la herramienta eléctrica, se pueden producir lesiones personales.
- **No se incline demasiado. Mantenga una posición y un equilibrio adecuados en todo momento.** Esto permite un mejor control de la herramienta eléctrica en situaciones inesperadas.
- **Use ropa adecuada. No use ropa holgada ni joyas. Mantenga el cabello, la ropa y los guantes lejos de las piezas en movimiento.** La ropa holgada, las joyas o el cabello largo pueden quedar atrapados en las piezas giratorias.
- **Si se proporcionan dispositivos para la conexión de equipos de extracción y recolección de polvo, asegúrese de que se conecten y se usen de forma adecuada.** El uso de estos dispositivos puede disminuir los peligros relacionados con el polvo.

Uso y cuidado de las herramientas eléctricas

- **No fuerce la herramienta eléctrica. Utilice la herramienta eléctrica adecuada para su aplicación.** La herramienta eléctrica adecuada realizará un trabajo más seguro y de mejor calidad a la velocidad para la cual fue diseñada.
- **No utilice la herramienta eléctrica si el interruptor no la enciende o apaga.** Cualquier herramienta eléctrica que no pueda controlarse con el interruptor es peligrosa y debe repararse.
- **Desconecte el enchufe de la fuente de alimentación o la batería de la herramienta eléctrica antes de realizar cualquier ajuste, cambiar accesorios o almacenar herramientas eléctricas.** Este tipo de medidas de seguridad preventivas reduce el riesgo de arranques accidentales de la herramienta eléctrica.
- **Almacene las herramientas eléctricas que no estén en uso fuera del alcance de los niños y no permita que personas no familiarizadas con la herramienta o con estas instrucciones la operen.** Las herramientas eléctricas son peligrosas en manos de usuarios sin capacitación.



INFORMACIÓN DE SEGURIDAD

- **Realice el mantenimiento de las herramientas eléctricas. Revise si hay desalineación o atascamiento de piezas móviles o si están rotas, así como cualquier otra condición que pueda afectar la operación de la herramienta eléctrica.** Si se daña, haga reparar la herramienta eléctrica antes de usarla. Muchos accidentes son producto del mantenimiento incorrecto de las herramientas eléctricas.
- **Mantenga las herramientas de corte afiladas y limpias.** Las herramientas de corte que se mantienen de forma adecuada, con sus bordes de corte afilados, tienen un riesgo menor de trabarse y son más fáciles de controlar.
- **Use la herramienta eléctrica, los accesorios, las brocas, etc., de acuerdo con estas instrucciones y según las condiciones de trabajo y el trabajo que desea realizar.** El uso de la herramienta eléctrica en operaciones distintas para las que fue diseñada podría crear una situación de peligro.

Uso y cuidado de herramientas con batería

- **Recargue únicamente con el cargador especificado por el fabricante.** Un cargador adecuado para un tipo de paquete de baterías puede generar un riesgo de incendio cuando se usa con otro paquete de baterías.
- **Use herramientas eléctricas solo con paquetes de baterías designados específicamente.** El uso de cualquier otro paquete de baterías puede generar riesgo de lesión e incendio.
- **Cuando el paquete de baterías no está en uso, aléjelo de objetos metálicos, como sujetapapeles, monedas, llaves, clavos, tornillos u otros objetos metálicos pequeños que pudieran crear una conexión entre los terminales.** Es posible que una conexión entre los terminales produzca quemaduras o un incendio.
- **En condiciones de maltrato, es posible que salga líquido de la batería; evite el contacto. Si se produce un contacto accidental, enjuague con agua.** Si el líquido entra en contacto con los ojos, además de esto, solicite atención médica. El líquido que sale de la batería puede provocar irritación o quemaduras.

Reparación

- **Permita que solo una persona capacitada repare la herramienta eléctrica, utilizando solo piezas de repuesto idénticas.** Esto mantendrá la seguridad de la herramienta eléctrica.

Advertencias específicas de seguridad para el taladro/destornillador

- **Use los mangos auxiliares si se suministran con la herramienta.** La pérdida de control puede causar lesiones personales graves.
- **Sostenga las herramientas eléctricas por las áreas de agarre aisladas al realizar una operación en la que el accesorio de corte pueda entrar en contacto con cableado oculto o con su propio cable.** Es posible que un accesorio de corte que entre en contacto con un cable "energizado" también "energice" las piezas de metal expuestas de la herramienta eléctrica y podría provocar una descarga eléctrica al operador.
- **Fije la pieza de trabajo.** Sostener la pieza de trabajo en su lugar con abrazaderas o una prensa de tornillo es mejor y más seguro que sostenerla con la mano.
- **Siempre espere hasta que la máquina se detenga por completo antes de colocarla hacia abajo.** El accesorio de la herramienta se puede atascar y provocar la pérdida de control sobre la herramienta eléctrica.
- **Cuando trabaje con la herramienta eléctrica, siempre sosténgala firmemente con ambas manos y adopte una posición segura.** Es más seguro guiar la herramienta eléctrica con ambas manos.

PREPARACIÓN

Información acerca del taladro/destornillador

Antes de intentar usar el taladro/destornillador, familiarícese con todas sus características de operación y requisitos de seguridad.

Herramienta útil (no se incluyen): Destornillador Phillips.



ADVERTENCIA

- Sea cuidadoso, incluso si está familiarizado con el taladro/destornillador. Recuerde que un momento de descuido es suficiente para causar lesiones graves. Antes de intentar utilizar cualquier herramienta, asegúrese de familiarizarse con todas las funciones de operación y con las instrucciones de seguridad.
- No intente modificar esta herramienta ni crear accesorios que no sean los recomendados para esta. Cualquier alteración o modificación es considerada un mal uso y podría causar una condición peligrosa que podría conllevar lesiones personales graves.

INSTRUCCIONES DE FUNCIONAMIENTO

1. Paquete de baterías

Para fijar el paquete de baterías

- Coloque el selector de dirección de rotación (E) en la posición bloqueada central.
- Alinee la parte elevada del paquete de baterías con las ranuras de la parte inferior de la herramienta y luego deslice el paquete de baterías en la herramienta, como se muestra.
- Asegúrese de que el pestillo del paquete de baterías encaje en su lugar y que el paquete de baterías esté fijo en la herramienta antes de comenzar la operación.

AVISO: Al colocar el paquete de baterías en la herramienta, asegúrese de que la varilla elevada del paquete de baterías se alinee con la ranura de la herramienta y que los pestillos encajen en su lugar adecuadamente. El ensamblaje inadecuado del paquete de baterías puede provocar daños a los componentes internos.

Para liberar el paquete de baterías

- Coloque el selector de dirección de rotación (E) en la posición bloqueada central.
- Presione los botones de liberación de la batería para liberar el paquete de baterías.
- Jale el paquete de baterías hacia delante para retirar la batería de la herramienta.

ADVERTENCIA

Las herramientas con batería siempre están en condiciones de operación. Por lo tanto, el selector de dirección de rotación (E) siempre debe estar bloqueado (al centro) cuando la herramienta no se encuentre en uso o al transportar la herramienta a su costado.

2. Interruptor de gatillo de velocidad variable

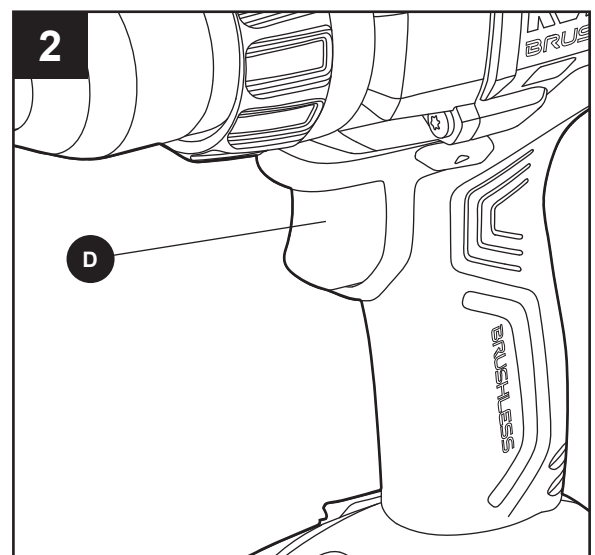
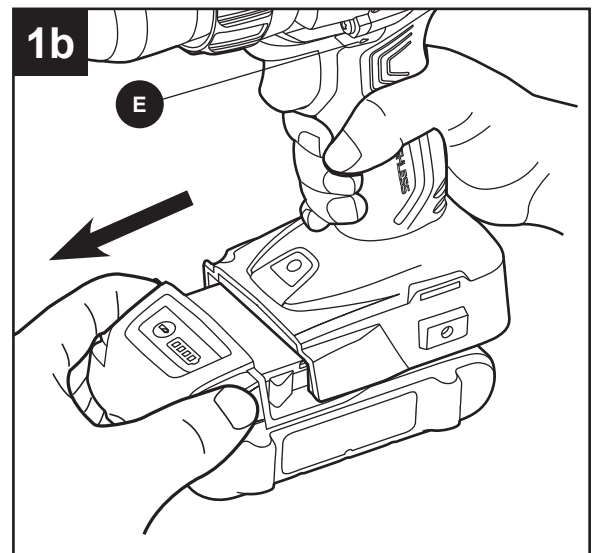
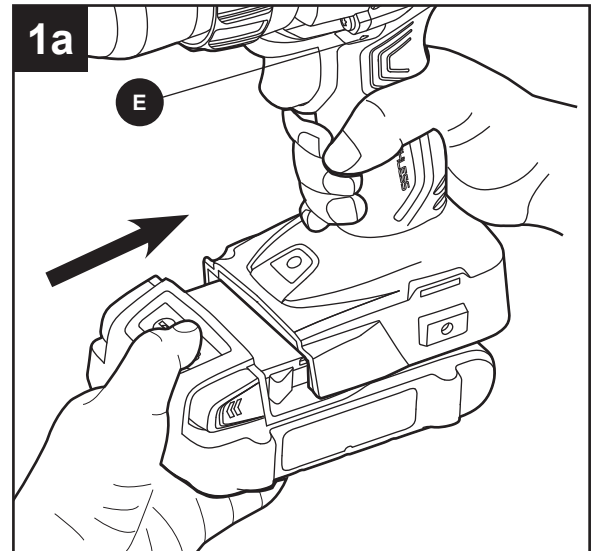
- Para encender el taladro/destornillador, presione el interruptor de gatillo (D).
- Para apagarlo, suelte el interruptor de gatillo.

Velocidad variable

El interruptor de gatillo de velocidad variable proporciona mayor velocidad con mayor presión en el gatillo y menor velocidad con menor presión en el gatillo.

Freno eléctrico

Este taladro/destornillador está equipado con un freno eléctrico. Cuando se suelta el interruptor de gatillo, el freno eléctrico se activa de manera automática para detener rápidamente la rotación.

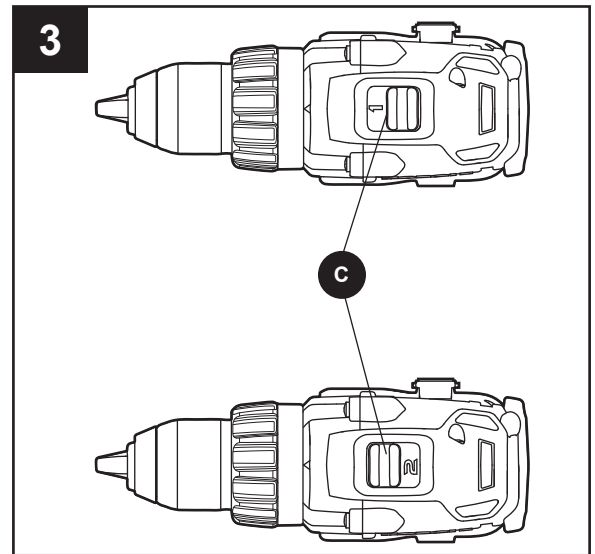


INSTRUCCIONES DE FUNCIONAMIENTO

3. Caja de dos velocidades

El taladro/destornillador cuenta con una caja de engranaje de dos velocidades diseñada para taladrar o atornillar a dos rangos diferentes de velocidad variable. En la parte superior del taladro/destornillador, se encuentra el selector de engranaje (C) que le permite seleccionar un rango de velocidad 1 (bajo) o un rango de velocidad 2 (alto).

- Cuando se configura en 1, el taladro/destornillador tiene velocidades más bajas y mayor potencia y torsión. Use la configuración en 1 para trabajo pesado o para apretar tornillos.
- Cuando está configurado en 2, tiene velocidades más altas y potencia y torsión reducidas. Use la configuración 2 para taladrar madera y compuestos de madera y para utilizar en accesorios abrasivos y de pulido.

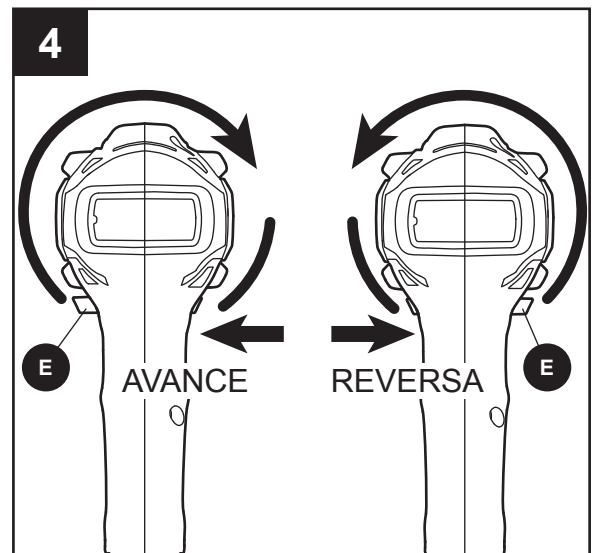


AVISO: Nunca cambie los engranajes mientras la herramienta está en funcionamiento. El incumplimiento de esta medida de precaución podría causar daños graves en el taladro/destornillador.

4. Selector de dirección de rotación (hacia delante/ bloqueo central/reversa)

La dirección de rotación de la broca es reversible y se controla mediante el selector ubicado sobre el interruptor de gatillo (D). Con el taladro/destornillador colocado en la posición de operación normal, apuntando en dirección opuesta a usted:

- Coloque el selector de dirección de rotación (E) a la izquierda de la herramienta para que gire hacia delante.
- Coloque el selector de dirección de rotación a la derecha de la herramienta para que gire en reversa.
- Fijar el selector en la posición (bloqueada) central ayuda a reducir la posibilidad de arranque accidental cuando no se lo está usando.



AVISO: Para evitar el daño en las velocidades, siempre deje que el taladro/destornillador se detenga por completo antes de cambiar la dirección de la rotación.

AVISO: El taladro/destornillador no funciona a menos que el selector de dirección de rotación esté completamente posicionado a la izquierda o la derecha.

INSTRUCCIONES DE FUNCIONAMIENTO

5. Luz de trabajo LED

La luz de trabajo LED (F), ubicada en la base del taladro/destornillador, se iluminará cuando presione el interruptor de gatillo. Esto brinda más iluminación en la superficie de la pieza de trabajo para usar la herramienta en áreas con poca iluminación.

La luz de trabajo LED se apagará luego de que suelte el interruptor de gatillo.

- La luz de trabajo con bombilla LED titilará con rapidez si la herramienta deja de funcionar para proteger los circuitos internos; espere a que la herramienta se enfríe para que pueda volver a funcionar.
- La luz de trabajo con bombilla LED titilará más lento para indicar que el nivel de batería está muy bajo.

6. Portabrocas sin llave


El taladro/destornillador cuenta con un portabrocas sin llave (A) para apretar o liberar las brocas para taladro en las mordazas del portabrocas. Las flechas en el portabrocas señalan la dirección en la que se debe girar el cuerpo del portabrocas para AGARRAR (apretar) o ABRIR (liberar) las mordazas en el portabrocas de la broca para taladro.

7. Embrague de torque ajustable

El embrague de torque puede ajustarse en 23 configuraciones para atornillar y 1 para taladrar.

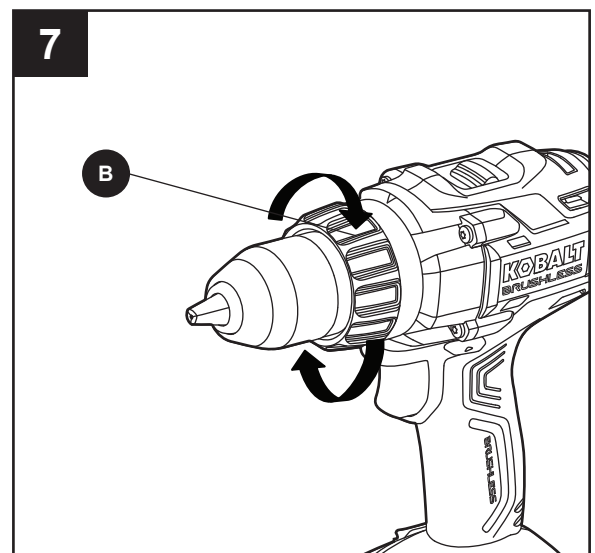
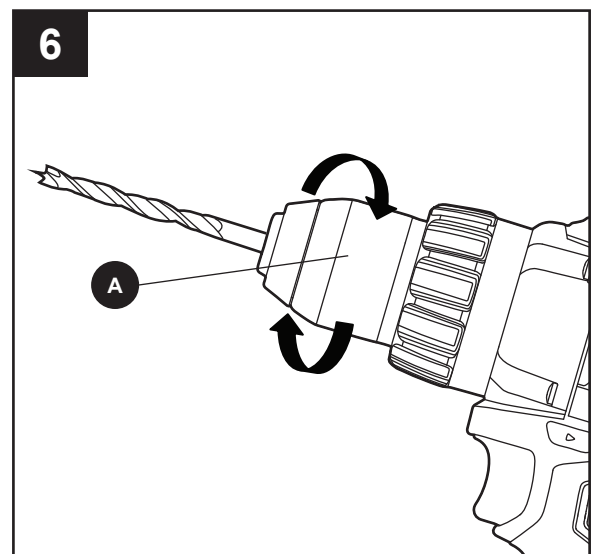
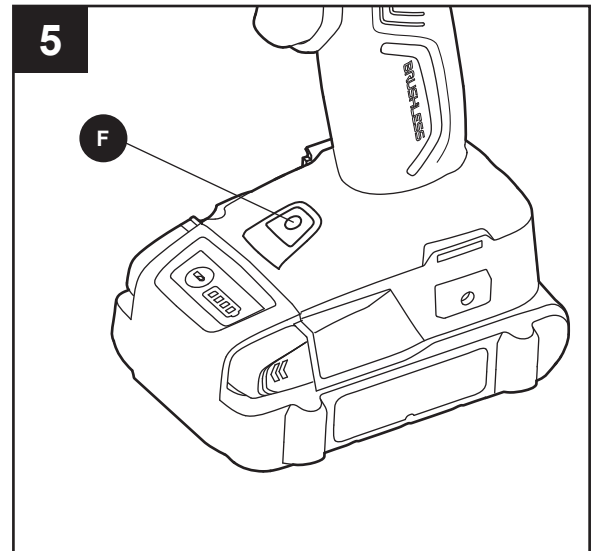
Ajuste la fuerza de torsión girando el torque ajustable (B). A mayor configuración de torsión, mayor fuerza produce el taladro/destornillador para girar un objeto.

La configuración correcta depende del trabajo y del tipo de broca, sujetador y material que utilice. En general, use mayor fuerza de torsión para tornillos más grandes. Si la torsión es muy elevada, pueden dañarse o quebrarse los tornillos.

Seleccione el modo de taladro  para taladrar y para otras aplicaciones de trabajo pesado.

PRECAUCIÓN

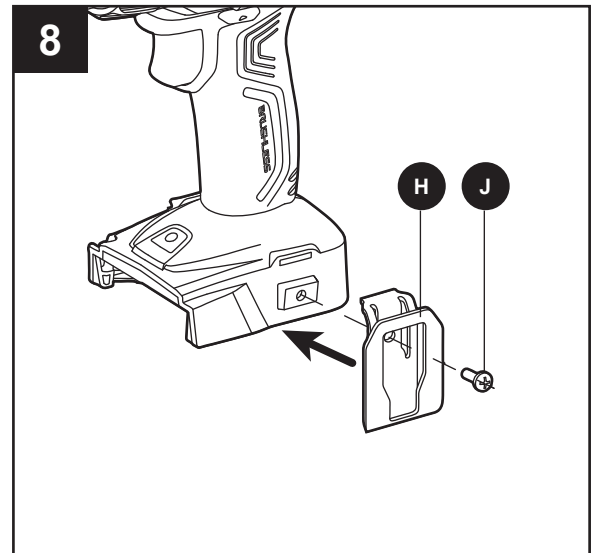
- No cambie la configuración de torsión mientras la herramienta está en funcionamiento.



INSTRUCCIONES DE FUNCIONAMIENTO

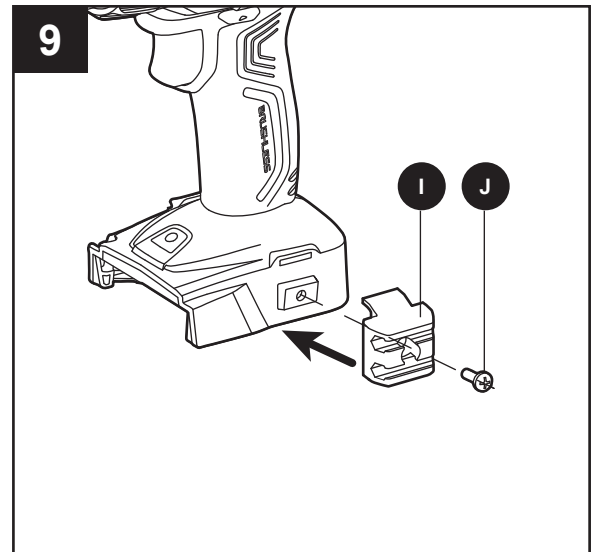
8. Instalación y eliminación del sujetador para cinturón

- Alinee la pestaña del sujetador para cinturón (H) con el orificio en la base del destornillador.
- Coloque el tornillo (J) y apriételo firmemente con un destornillador Phillips (no incluido).
- Para eliminar el sujetador para cinturón, utilice un destornillador Phillips para aflojar el tornillo que fija el sujetador para cinturón al destornillador.



9. Instalación y eliminación del soporte para brocas

- Alinee la pestaña del soporte para brocas (I) con el orificio en la base del destornillador eléctrico.
- Coloque el tornillo (J) y apriételo firmemente con un destornillador Phillips (no incluido).
- Para eliminar el soporte para brocas, utilice un destornillador Phillips para aflojar el tornillo que fija el soporte para brocas al destornillador.



10. Mango auxiliar

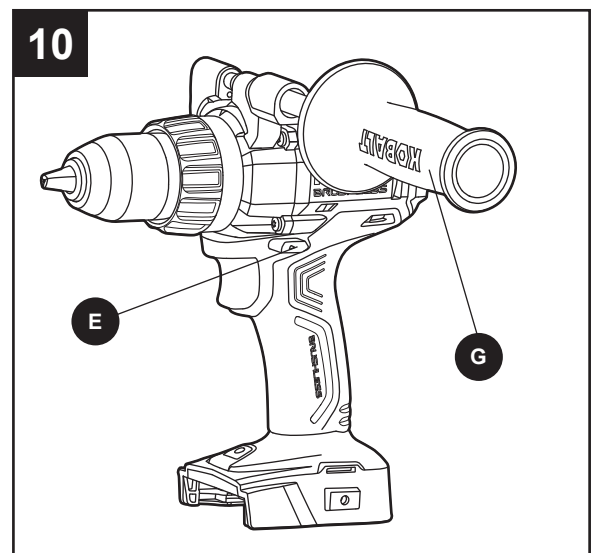
Este taladro/destornillador está equipado con un mango auxiliar (G). Para una operación más fácil, usted puede usar el mango con la mano izquierda o la derecha. La manija lateral se puede girar 90° y bloquear en una de las tres posiciones disponibles.

Para instalar el mango auxiliar:

- Coloque el selector de dirección de rotación (E) en la posición bloqueada central.
- Afloje la manija auxiliar (B) en el taladro girándola en dirección contraria a las manecillas del reloj.
- Alinee la parte elevada de la manija auxiliar con las ranuras de la caja de velocidades del taladro/destornillador y, luego, deslice la manija auxiliar en la herramienta, como se muestra.
- Apriete a mano el mango girándolo en dirección de las manecillas del reloj.

Para eliminar el mango auxiliar:

- Coloque el selector de dirección de rotación (E) en la posición bloqueada central.
- Afloje la manija auxiliar (B) en el taladro girándola en dirección contraria a las manecillas del reloj.
- Retire la manija auxiliar de la herramienta.



ADVERTENCIA

- Por su seguridad y para una operación más fácil, apriete bien el mango auxiliar girándolo en dirección de las manecillas del reloj antes de cada uso.

INSTRUCCIONES DE FUNCIONAMIENTO

11. Brocas

Instalación de las brocas

- Coloque el selector de dirección de rotación (E) en la posición bloqueada central.
- Abra o cierre las mordazas del portabrocas al punto en que la abertura sea un poco más grande que el vástago de la broca que va a usar.
- Coloque la broca.
- Apretete bien las mordazas del portabrocas en la broca.

AVISO: Gire el cuerpo del portabrocas en la dirección que indica la flecha que indica AGARRE para cerrar las mordazas. No utilice una llave inglesa para apretar o aflojar las mordazas del portabrocas.

ADVERTENCIA

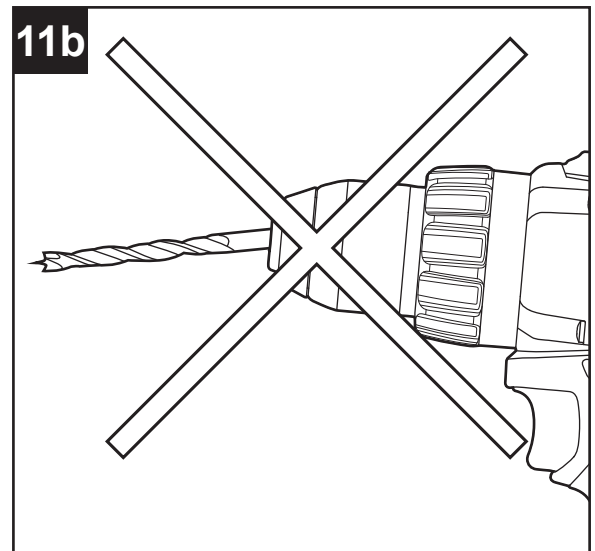
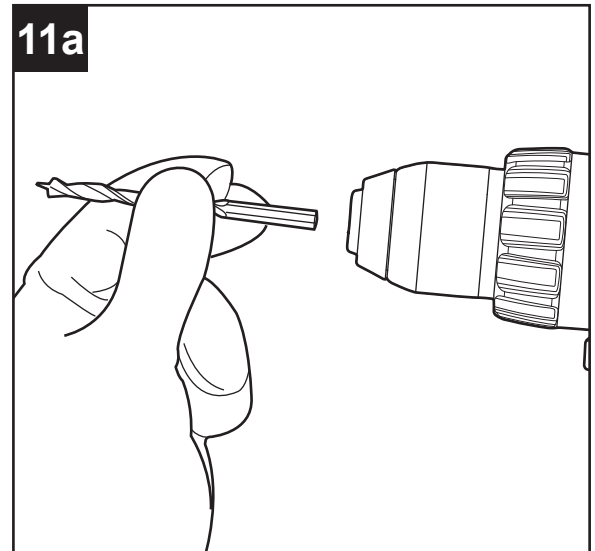
- Asegúrese de colocar la broca para taladro de forma derecha dentro de las mordazas del portabrocas. No inserte la broca en ángulo dentro de las mordazas del portabrocas para luego apretar el portabrocas, como se muestra en la fig. 9b. Esto puede hacer que la broca salga disparada del taladro/destornillador, lo que puede producir lesiones personales serias o daños al portabrocas.

Retiro de las brocas

- Coloque el selector de dirección de rotación (E) en la posición bloqueada central.
- Abra las mordazas del portabrocas.
- Retire la broca para taladro.

ADVERTENCIA

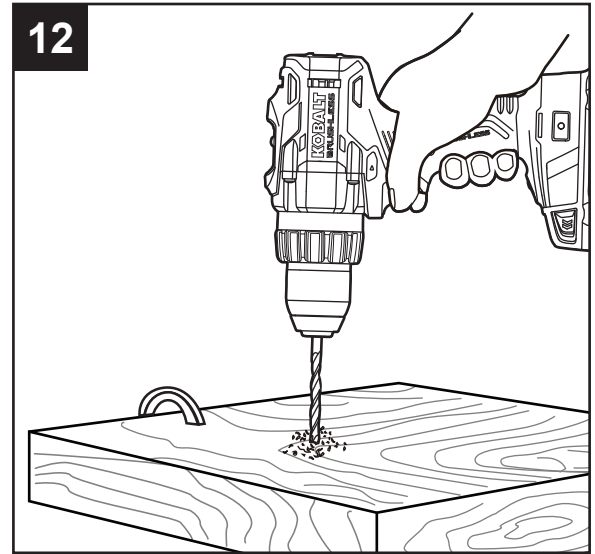
- No sostenga el cuerpo del portabrocas con una sola mano y use la potencia del taladro/destornillador para apretar o aflojar las mordazas del portabrocas en la broca para taladro. El cuerpo del portabrocas se puede resbalar en la mano, o la mano puede resbalar y entrar en contacto con la broca giratoria. Esto puede provocar un accidente que cause posibles lesiones personales.



12. Perforación

ADVERTENCIA

- Use siempre gafas o anteojos de seguridad con protectores laterales durante la operación de la herramienta eléctrica o al soplar el polvo. Si hay demasiado polvo durante la operación, use también una mascarilla antipolvo.
- a. Verifique que el selector de dirección de rotación (E) esté en la configuración correcta (hacia delante o en reversa).
- b. Asegure el material que va a perforar en una prensa de tornillo o con abrazaderas para evitar que gire cuando la broca para taladro esté girando.
- c. Sostenga el taladro/destornillador firmemente y coloque la broca en el punto que va a perforar.
- d. Presione el interruptor de gatillo de velocidad variable (D) para arrancar el taladro/destornillador.
- e. Mueva la broca para taladro en la pieza de trabajo, aplicando la presión suficiente como para mantener la broca taladrando. No fuerce el taladro/destornillador ni aplique presión lateral para ampliar un orificio. Deje que este realice el trabajo.
- f. Cuando taladre superficies duras y suaves, use un perforador central (que se vende por separado) para marcar la ubicación deseada del orificio. Esto evitará que la broca para taladro se mueva a medida que hace el orificio.
- g. Si la broca se atasca en la pieza de trabajo o si se detiene el taladro/destornillador, detenga el funcionamiento de la herramienta de inmediato. Retire la broca de la pieza de trabajo y determine la causa del atasco.
- h. Para detener el taladro/destornillador, suelte el interruptor de gatillo de velocidad variable y permita que la herramienta se detenga por completo.



Taladrado de madera

- a. Para obtener un máximo rendimiento, use brocas de acero de alta velocidad o de tres puntas para taladrar madera.
- b. Comience a taladrar a una velocidad muy baja para evitar que la broca se deslice del punto de inicio.
- c. Aumente la velocidad a medida que la broca para taladro entre en el material.
- d. Cuando taladre “a través” de los orificios, coloque un bloque de madera detrás de la pieza de trabajo para evitar que se formen bordes irregulares o astillados en la parte posterior de los orificios.

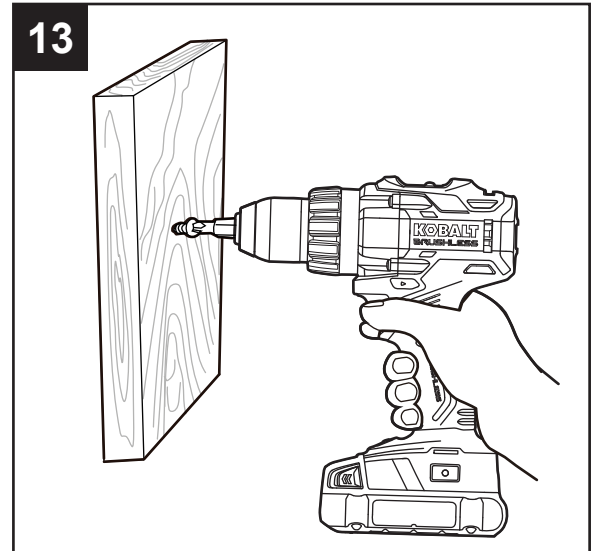
Taladrado de metal

- a. Para obtener un máximo rendimiento, use brocas de acero de alta velocidad para taladrar metal o acero.
- b. Cuando perforo metales, unte aceite ligero en la broca para taladro para evitar que se sobrecaliente. El aceite prolongará la vida útil de la broca y aumentará la acción del taladro.
- c. Comience a taladrar a una velocidad muy baja para evitar que la broca se deslice del punto de inicio.
- d. Mantenga una velocidad y presión que permitan cortar sin sobrecalentar la broca. Aplicar demasiada presión podría:
 - Sobrecalentar el taladro/destornillador.
 - Desgastar los rodamientos.
 - Doblar o quemar las brocas.
 - Producir orificios descentrados o irregulares.


13. Para atornillar

En lo posible, use tornillos tipo estándar para facilitar el atornillado y mejorar el agarre.

- a. Instale la punta de destornillador correcta.
- b. Asegúrese de que el anillo de ajuste de torque se encuentre en la configuración más adecuada. Si no está seguro, empiece con una configuración baja y aumente de forma gradual la configuración según sea necesario. No cambie la configuración de torsión mientras la herramienta está en funcionamiento.
- c. Utilice el rango de velocidad correcto para el trabajo y aplique una presión mínima al interruptor de gatillo de velocidad variable. Aumente la velocidad solo cuando se pueda mantener un control completo.
- d. Se aconseja taladrar un orificio guía primero. Este orificio debe ser levemente más grande que el tornillo que desee colocar y menor que el diámetro del vástago del tornillo. El orificio guiará al tornillo y hará que el ajuste de este sea más sencillo. Al ubicar los tornillos cerca del borde de un material, el orificio guía también ayudará a evitar que la madera se abra.
- e. Use una broca para avellanar (que se vende por separado) para acomodar la cabeza del tornillo y evitar que sobresalga de la superficie.
- f. Mantenga la presión suficiente sobre el taladro para evitar que la broca gire fuera de la cabeza del tornillo. Esta se puede dañar con facilidad, lo que haría difícil introducir o retirar el tornillo.
- g. Para detener el taladro/destornillador, suelte el interruptor de gatillo y permita que la herramienta se detenga completamente.



CUIDADO Y MANTENIMIENTO

 Solo un técnico calificado puede llevar a cabo cualquier tipo de mantenimiento.

Limpieza

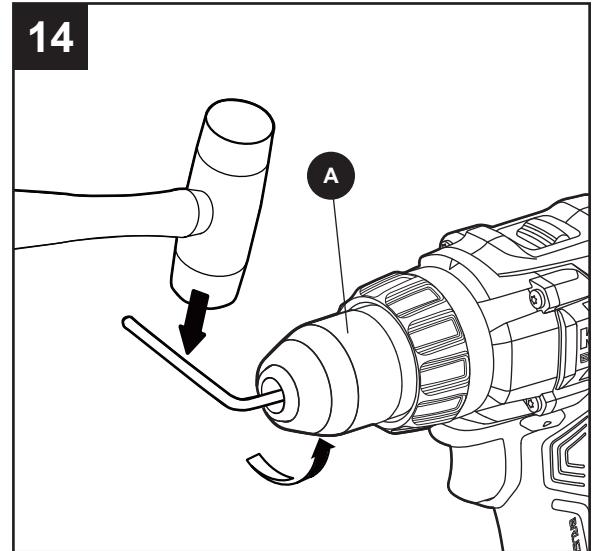
Antes de limpiar o realizar cualquier tarea de mantenimiento, retire el paquete de baterías de la herramienta. Para un uso seguro y adecuado, siempre mantenga limpias la herramienta y sus ranuras de ventilación.

Siempre use un paño suave y seco para limpiar el taladro/destornillador. Nunca use ningún tipo de detergente o alcohol.

14. Retiro del portabrocas

El portabrocas sin llave (A) se puede retirar y reemplazar.

- Para bloquear el interruptor de gatillo, coloque el selector de dirección de rotación (E) en la posición central.
- Abra las mordazas del portabrocas.
- Use un destornillador (no se incluye) para retirar el tornillo del portabrocas girándolo en dirección de las manecillas del reloj.
- Inserte una llave hexagonal de 7,93 mm o más (no incluida) en el portabrocas del taladro/destornillador y apriete de forma segura las mordazas del portabrocas alrededor de la llave hexagonal.
- Golpee fuertemente la llave hexagonal con un mazo (no se incluye) en dirección contraria a las manecillas del reloj. Esto aflojará el portabrocas para retirarlo de forma más fácil.



AVISO: El tornillo del portabrocas tiene roscas hacia la izquierda. Fije un portabrocas nuevo al eje y apriete el tornillo del portabrocas.

SOLUCIÓN DE PROBLEMAS

ADVERTENCIA

- Coloque el selector de dirección de rotación (E) en la posición de bloqueo central y retire el paquete de baterías del taladro/destornillador antes de realizar procedimientos de solución de problemas.

PROBLEMA	CAUSA POSIBLE	ACCIÓN CORRECTIVA
El taladro/destornillador no funciona.	El paquete de baterías está agotado.	Cargue el paquete de baterías.
No se puede instalar la broca.	No se ha aflojado el portabrocas.	Suelte el portabrocas.
	La broca no encaja en el portabrocas.	Use una broca correcta o un adaptador adecuado.
El motor se sobrecalentó.	Las ventilas de enfriamiento están obstruidas.	Limpie las ventilas. No cubra las ventilas con la mano durante el funcionamiento.
La luz de trabajo con bombilla LED titila con rapidez.	La herramienta ha dejado de funcionar para proteger los circuitos internos.	Suelte el interruptor de gatillo, espere a que la herramienta se enfríe y luego enciéndala de nuevo.
La luz de trabajo con bombilla LED titila con lentitud.	El nivel de batería está muy bajo.	Cargue la batería.

GARANTÍA

Desde la fecha de compra, la herramienta eléctrica posee una garantía de 5 años y la batería y el cargador, una garantía de 3 años. Esta garantía se extiende al comprador original para asegurar que los productos están libres de defectos en los materiales y la mano de obra. Esta garantía no cubre daños por abuso, desgaste normal, mantenimiento inadecuado, negligencia, reparación/alteración no autorizada o piezas fungibles y accesorios que se esperan que sean inutilizables después de un período de uso razonable.

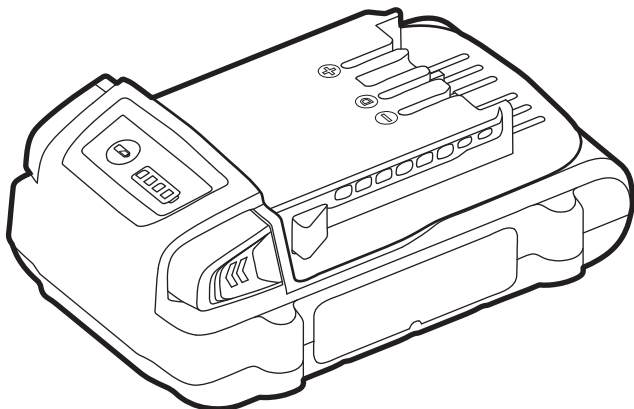
Si cree que este producto cumple con la garantía mencionada con anterioridad, devuelva el producto al lugar donde lo compró con un comprobante de compra válido y el producto defectuoso se reparará o reemplazará sin cargo. Esta garantía le otorga derechos legales específicos, pero también podría tener otros derechos que varían según el estado.

Impreso en China

KOBALT® y K Design® son marcas comerciales registradas de LF, LLC. Todos los derechos reservados.

kobalttools.com **KOBALT**

KOBALT®



ITEM #0673802/0672827/0672823/0672824/0864453/0877730

COMPACT LITHIUM-ION BATTERY

KOBALT® and the K Design® are registered trademarks of LF, LLC. All Rights Reserved.

MODEL #KB 224-03

Español p. 11

ATTACH YOUR RECEIPT HERE

Serial Number _____ Purchase Date _____



Questions, problems, missing parts? Before returning to your retailer, call our customer service department at 1-888-3KOBALT (1-888-356-2258), 8 a.m. - 8 p.m., EST, Monday - Friday.

AB15767

kobalttools.com **KOBALT.**

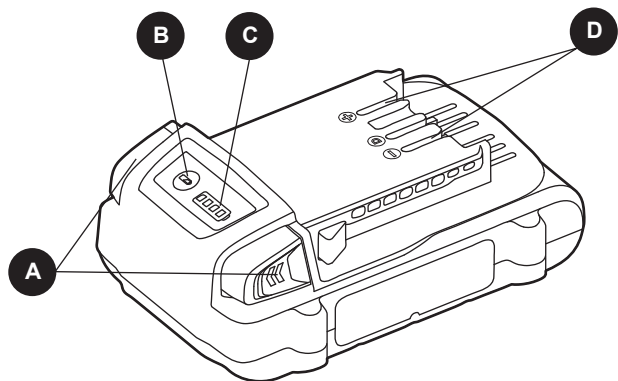
TABLE OF CONTENTS

Product Specifications	2
Package Contents	3
Safety Information	4
Preparation	6
Operating Instructions	7
Care and Maintenance	10
Warranty	10

PRODUCT SPECIFICATIONS

COMPONENT	SPECIFICATIONS
Battery voltage	24V d.c.
Battery capacity	2.0 Ah
Battery type	Lithium-ion
Battery charger model	KRC 2445-03; KRC 2490-03

PACKAGE CONTENTS



PART	DESCRIPTION
A	Battery-release buttons
B	Power-indicator button
C	Power indicator
D	Electrical contacts

! WARNING

- Remove the battery pack from the package and examine it carefully. Do not discard the carton or any packaging material until all parts have been examined.
- If any part of the tool is missing or damaged, do not attach the battery pack or use the tool until the part has been repaired or replaced. Failure to heed this warning could result in serious injury.

SAFETY INFORMATION

Please read and understand this entire manual before attempting to assemble or operate this product. If you have any questions regarding the product, please call customer service at 1-888-3KOBALT, 8 a.m. - 8 p.m., EST, Monday - Friday.

Know the Tool

To operate this battery pack, carefully read this manual and all labels affixed to the battery pack before using it. Keep this manual available for future reference.

Important

This battery pack should be serviced only by a qualified service technician.

Read All Instructions Thoroughly

Battery Pack Safety Warnings

WARNING

- Before using battery pack, read all instructions and cautionary markings on battery pack, battery charger, and tools using battery. Failure to follow the warnings and instructions may result in electric shock, fire and/or serious injury.
- Recharge only with the charger specified by the manufacturer. A charger that is suitable for one type of battery pack may create a risk of fire when used with another battery pack.

SAFETY INFORMATION

- Know your power tool. Read the operator's manual carefully. Learn the tool's applications and limitations, as well as the specific potential hazards related to this tool. Following this rule will reduce the risk of electric shock, fire, or serious injury.
- When battery pack is not in use, keep it away from other metal objects like paperclips, coins, keys, nails, screws or other small metal objects that can make a connection from one terminal to another. Shorting the battery terminals together may cause burns or a fire.
- Do not open the battery. There is risk of a short circuit.
- Battery tools do not have to be plugged into an electrical outlet; they are always in operating condition. Be aware of possible hazards when not using your battery tool or when changing accessories. Following this rule will reduce the risk of electric shock, fire or serious personal injury.
- Do not place battery tools or their batteries near fire or heat. This will reduce the risk of explosion and possible injury.
- Do not crush, drop or damage the battery pack. Do not use a battery pack or charger that has been dropped or received a sharp blow. A damaged battery is subject to explosion. Properly dispose of a dropped or damaged battery immediately.
- Batteries vent hydrogen gas and can explode in the presence of a source of ignition, such as a pilot light. To reduce the risk of serious personal injury, never use any cordless product in the presence of open flame. An exploded battery can propel debris and chemicals. If exposed, flush with water immediately.
- Do not charge the battery in a damp or wet location. Following this rule will reduce the risk of electric shock.
- For best results, your battery should be charged in a location where the temperature is greater than 41°F (5°C) and less than 104°F (40°C). Do not store outside or in vehicles.

SAFETY INFORMATION

- Under extreme usage or temperature conditions, battery leakage may occur. If liquid comes in contact with your skin, wash immediately with soap and water, then neutralize with lemon juice or vinegar. If liquid gets in your eyes, flush them with clean water for at least 10 minutes, then seek immediate medical attention. Following this rule will reduce the risk of serious personal injury.
- Do not let gasoline, oils, petroleum-based products, etc., come in contact with plastic parts. These substances contain chemicals that can damage, weaken or destroy plastic.
- Save these instructions. Refer to them frequently and use them to instruct others who may use this tool. If you lend someone this tool, lend them these instructions also to prevent misuse of the product and possible injury.

PREPARATION

Know Your Battery Pack

Before attempting to use the battery pack, familiarize yourself with all of its operating features and safety requirements.

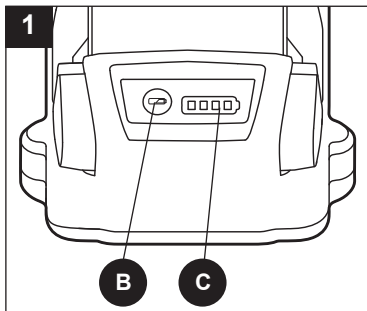
WARNING

- Do not attempt to modify the battery pack or create accessories not recommended for use with this battery pack. Any such alteration or modification is misuse and could result in a hazardous condition leading to possible serious personal injury.

OPERATING INSTRUCTIONS

1. Power Indicator

This lithium-ion battery pack is equipped with a power indicator that displays the battery pack's charge status. Press the power-indicator button (B) to display the LED lights in the power indicator (C). The LED lights will stay lit for approximately 5 seconds. It is recommended that the battery pack be brought up to full charge before starting a big job or using it for an extended period of time.



NOTICE: The power indicator can be used whether the battery is attached or removed from tool.

- ● ● ● 80%-100% charge
- ● ● ○ 60% - 79% charge
- ● ○ ○ 40% - 59% charge
- ○ ○ ○ 20% - 39% charge
- ☼ ○ ○ ○ Fewer than 20% charge
- ☼ ☼ ☼ ☼ Completely discharged or overloaded
- ☼ ○ ☼ ○ High/Low temperature

OPERATING INSTRUCTIONS

Low Capacity Warning

If one LED of the power indicator (C) begins to flash, the battery pack is charged to less than 20% of its capacity and should be recharged.

Unlike other types of battery packs, lithium-ion battery packs deliver fade-free power for their entire run time. The tool will not experience a slow, gradual loss of power as it is used. The power delivered to the tool will drop quickly when the battery pack is at the end of its run time and needs to be charged. It is not necessary to completely discharge the battery pack before recharging. Remove the battery pack from the tool and recharge it when it is convenient or when it is not in use.

Battery Protection

The battery circuitry protects the battery pack from extreme temperature, over-discharge, and over-charge. To protect the battery pack from damage and prolong its life, the battery pack circuitry will turn off the battery pack if it becomes overloaded or if the temperature becomes too high during use. This may happen in extremely high torque, binding, and stalling situations. This system will begin normal operation when it returns to 32°F (0°C) - 122°F (50°C).

The power indicator (C) will display four flashing LED lights if the circuitry detects a momentary overload. Reset the battery pack by pressing the power-indicator button (A). Press the power indicator button again to display the remaining charge.

NOTICE: A significantly reduced run time after fully charging the battery pack indicates that the batteries are near the end of their usable life and must be replaced.

OPERATING INSTRUCTIONS

2. Cold Weather Operation

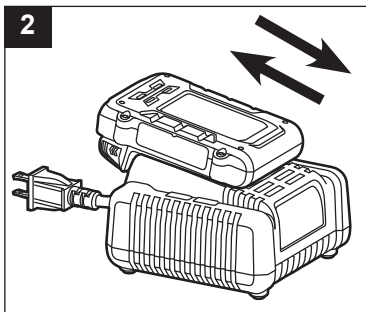
This lithium-ion battery pack will provide optimal performance in temperatures between 32°F (0°C) and 104°F (40°C). When the battery pack is very cold, it may “pulse” for the first minute of use to warm itself. Put the battery pack on a tool and use the tool in a light application. After about a minute, the battery pack will have warmed itself and will operate normally.

3. To Charge the Battery Pack

NOTICE: This lithium-ion battery pack is shipped partially charged. Before using it the first time, fully charge the battery pack.


A fully discharged battery pack will charge in about 85 minutes with charger KRC 2445-03 in a surrounding temperature between 41°F (5°C) and 104°F (40°C).


- Always charge the battery pack with the correct charger.
- Connect the charger to a power supply.
- Attach the battery pack to the charger by aligning the raised ribs of the battery pack with the slot in the charger. Slide the battery pack onto the charger (Fig. 2).




- When the charger indicates the battery pack is fully charged, remove it from the charger.

CARE AND MAINTENANCE

 All maintenance should only be carried out by a qualified service technician.

 Dispose of used battery packs promptly. Keep battery packs away from children. Do not disassemble battery packs and do not dispose of them in fire.

Cleaning

 Before cleaning or performing any maintenance, remove the battery pack from the tool. For safe and proper operation, always keep the tool and its ventilation slots clean.

Always use only a soft, dry cloth to clean your battery pack; never use detergent or alcohol.

3-YEAR HASSLE-FREE WARRANTY

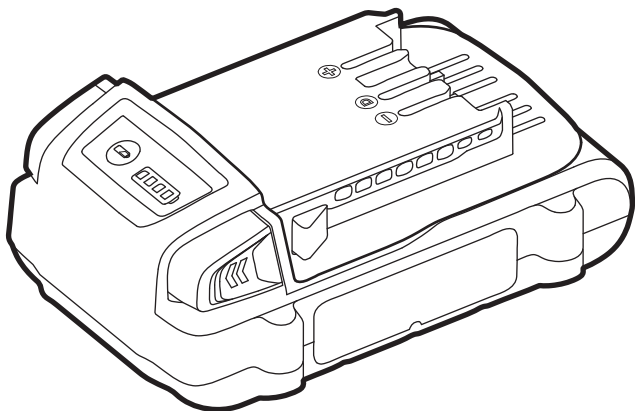
For 3 years from date of purchase the battery is warranted for the original purchaser to be free from defects in material and workmanship. This guarantee does not cover damage due to abuse, normal wear, improper maintenance, neglect, unauthorized repair/alteration, or expendable parts and accessories expected to become unusable after a reasonable period of use.

If you think your product meets the above guarantee criteria, please return it to the place of purchase with valid proof of purchase and the defective product will be repaired or replaced at no charge. This guarantee gives you specific legal rights, and you may also have other rights that vary from state to state.

Printed in China

KOBALT® and the K Design® are registered trademarks of LF, LLC. All Rights Reserved.

KOBALT®



ARTÍCULO #0673802/0672827/0672823/0672824/0864453/0877730

BATERÍA COMPACTA DE LITIO IÓN

KOBALT® y K Design® son marcas registradas
de LF, LLC. Todos los derechos reservados.

MODELO #KB 224-03

ADJUNTE SU RECIBO AQUÍ

Número de serie _____ Fecha de compra _____



¿Preguntas, problemas, piezas faltantes? Antes de volver a la tienda, llame a nuestro Departamento de Servicio al Cliente al 1-888-3KOBALT (1-888-356-2258), de lunes a viernes de 8 a.m. a 8 p.m., hora estándar del Este.

kobalttools.com **KOBALT.**

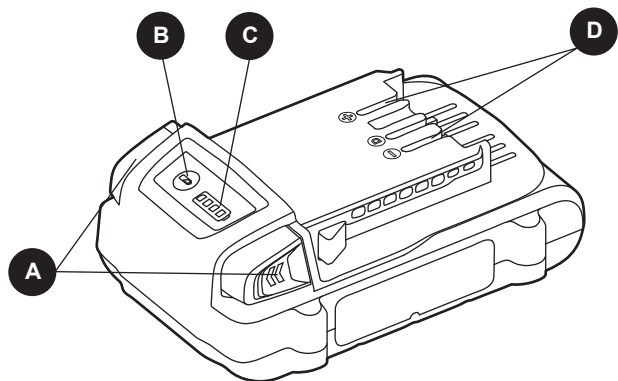
ÍNDICE

Especificaciones del producto	12
Contenido del paquete	13
Información de seguridad	14
Preparación	16
Instrucciones de funcionamiento	17
Cuidado y mantenimiento	20
Garantía	20

ESPECIFICACIONES DEL PRODUCTO

COMPONENTE	ESPECIFICACIONES
Voltaje de la batería	24V c.c.
Capacidad de la Batería	2,0 Ah
Tipo de batería	Litio-ión
Modelo de cargador de batería	KRC 2445-03; KRC 2490-03

CONTENIDO DEL PAQUETE



PIEZA	DESCRIPCIÓN
A	Botones de liberación de la batería
B	Botón indicador de encendido
C	Indicador de alimentación
D	Contactos eléctricos

⚠ ADVERTENCIA

- Retire el paquete de baterías del paquete y examínelo con cuidado. No deseché la caja ni ningún material de embalaje hasta después de examinar todas las piezas.
- Si falta alguna pieza o si alguna pieza está dañada, no fije el paquete de baterías ni use la herramienta hasta reparar o reemplazar la pieza. El incumplimiento de esta advertencia podría provocar lesiones graves.

INFORMACIÓN DE SEGURIDAD

Lea y comprenda por completo este manual antes de intentar ensamblar u operar este producto. Si tiene preguntas relacionadas con el producto, llame al Departamento de Servicio al Cliente al 1-888-3KOBALT, de lunes a jueves de 8 a.m. a 8 p.m., hora estándar del Este.

Conozca la herramienta

Para operar este paquete de baterías, lea detenidamente este manual y todas las etiquetas fijadas en el paquete de baterías antes de usarlo. Guarde este manual para referencia futura.

Importante

Solo un técnico calificado puede reparar este paquete de baterías.

Lea por completo todas las instrucciones

Advertencias de seguridad para el paquete de baterías

ADVERTENCIA

- Antes de usar el paquete de baterías, lea todas las instrucciones y las marcas de precaución en el paquete de baterías, en el cargador de la batería y en las herramientas que utilicen la batería. El incumplimiento de las advertencias y las instrucciones podría provocar descargas eléctricas, incendios o lesiones graves.
- Recargue únicamente con el cargador especificado por el fabricante. Un cargador adecuado para un tipo de paquete de baterías puede crear un riesgo de incendio cuando se usa con otro paquete de baterías.
- Conozca su herramienta eléctrica. Lea el manual del operador con atención. Conozca las aplicaciones y las limitaciones de la herramienta, así como también los posibles peligros específicos relacionados con esta herramienta. Al seguir esta norma se disminuirá el riesgo de descargas eléctricas, incendios o lesiones graves.

INFORMACIÓN DE SEGURIDAD

- Cuando el paquete de baterías no está en uso, aléjelo de objetos metálicos, como sujetapapeles, monedas, llaves, clavos, tornillos u otros objetos metálicos pequeños que pudieran crear una conexión entre los terminales. Es posible que una conexión entre los terminales produzca quemaduras o un incendio.
- No abra la batería. Existe el riesgo de que se produzca un cortocircuito.
- Las herramientas con batería no se deben enchufar en un tomacorriente; siempre están en condiciones de funcionamiento. Tenga en cuenta que hay posibles peligros cuando no usa su herramienta con batería o cuando cambia los accesorios. Al seguir esta norma disminuirá el riesgo de una descarga eléctrica, incendio o lesiones personales graves.
- No coloque las herramientas con batería ni sus baterías cerca del fuego o calor. Esto disminuirá el riesgo de explosión y de posibles lesiones.
- No aplaste, deje caer ni dañe el paquete de baterías. No utilice un paquete de baterías que se haya caído o que haya recibido un golpe fuerte. Una batería dañada puede explotar. Deseche de inmediato y de forma adecuada una batería que se haya caído o presente daños.
- Las baterías emanan gas hidrógeno y pueden explotar en la presencia de una fuente de ignición, como una luz piloto. Para reducir el riesgo de lesiones personales graves, nunca utilice un producto inalámbrico en la presencia de una llama abierta. La explosión de una batería puede lanzar desechos y químicos. Si se expone, enjuague inmediatamente con agua.
- No coloque la batería en una ubicación húmeda o mojada. El cumplimiento de esta norma reduce el riesgo de descarga eléctrica.
- Para obtener los mejores resultados, la batería se debe cargar en una ubicación donde la temperatura sea superior a 5 °C (41 °F) pero inferior a 40 °C (104 °F). No almacene en el exterior ni en vehículos.

INFORMACIÓN DE SEGURIDAD

- Es posible que se produzcan fugas de la batería bajo condiciones extremas de temperatura o uso. Si un líquido entra en contacto con su piel, lave inmediatamente con agua y jabón, luego neutralice con jugo de limón o vinagre. Si entra líquido en sus ojos, enjuáguelos con agua limpia durante al menos 10 minutos, luego busque atención médica inmediatamente. El cumplimiento de esta norma reduce el riesgo de lesiones personales graves.
- No permita que gasolina, aceites, productos a base de petróleo, etc. entren en contacto con las piezas de plástico. Estas sustancias contienen químicos que pueden dañar, debilitar o destruir el plástico.
- Guarde estas instrucciones. Consúltelas a diario y utilícelas para instruir a otras personas que puedan utilizar esta herramienta. Si presta esta herramienta a alguien, préstele también estas instrucciones para evitar un uso inadecuado del producto y posibles lesiones.

PREPARACIÓN

Información acerca del paquete de baterías

Antes de intentar usar el paquete de baterías, familiarícese con todas sus características de operación y requisitos de seguridad.

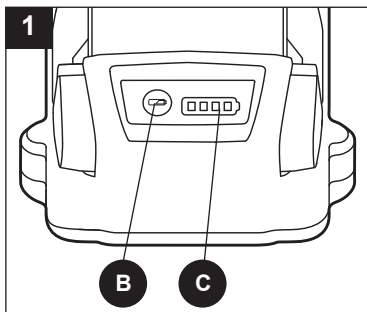
ADVERTENCIA

- No intente modificar el paquete de baterías ni crear accesorios que no estén recomendados para utilizar con este paquete de baterías. Cualquier alteración o modificación se la considera como un mal uso del producto y podría causar una condición peligrosa que podría conllevar lesiones personales graves.

INSTRUCCIONES DE FUNCIONAMIENTO

1. Indicador de alimentación

Este paquete de baterías de litio-ión está equipado con un indicador de alimentación que muestra el estado de la carga del paquete de baterías. Presione el botón indicador de alimentación (B) para mostrar las luces de bombilla LED en el indicador de alimentación (C). Las luces de bombilla LED permanecerán encendidas por aproximadamente 5



segundos. Se recomienda que el paquete de baterías esté cargado por completo antes de comenzar un trabajo grande o antes de usarlo por un periodo largo de tiempo.

AVISO: El indicador de alimentación se puede usar si la batería está o no en la herramienta.

- ● ● ● 80% a 100% de carga
- ● ● ○ 60% a 79% de carga
- ● ○ ○ 40% a 59% de carga
- ○ ○ ○ 20% a 39% de carga
- ☀ ○ ○ ○ Menos de 20% de carga
- ☀ ☀ ☀ ☀ Completamente descargado o sobrecargado
- ☀ ○ ☀ ○ Temperatura alta/baja

INSTRUCCIONES DE FUNCIONAMIENTO

Advertencia de poca capacidad

Si una bombilla LED del indicador de alimentación (C) comienza a destellar, el paquete de baterías está cargado con menos del 20% de su capacidad y se debe volver a cargar.

A diferencia de otros paquetes de baterías, los paquetes de baterías de litio-ión entregan una fuerza que no decae durante todo su funcionamiento. La herramienta no sufrirá una pérdida gradual y lenta de potencia mientras se usa. La potencia que se entrega a la herramienta bajará rápidamente cuando el paquete de baterías se encuentre al final de su tiempo de funcionamiento y se deba cargar. No es necesario descargar completamente el paquete de baterías antes de volver a cargarlo. Retire el paquete de baterías de la herramienta y recárguelo cuando sea conveniente o cuando no esté en uso.

Protección de la batería

El circuito de la batería protege al paquete de baterías de la temperatura extrema, sobre descarga y sobre carga. Para proteger el paquete de baterías de daños y prolongar su vida, el circuito del paquete de baterías apagará el paquete de baterías si se sobrecarga o si la temperatura sube demasiado mientras está en uso. Esto puede suceder en situaciones de torsión extremadamente alta, trabas y atascamiento. Este sistema comenzará con su funcionamiento normal cuando la batería regrese entre 0 °C (32 °F) y 50 °C (122 °F).

El indicador de alimentación (C) mostrará cuatro luces de bombilla LED intermitentes si el circuito detecta una sobrecarga momentánea. Reinicie el paquete de baterías al presionar el botón de indicador de alimentación (A). Presione el botón de indicador de alimentación nuevamente para mostrar lo que queda de la carga.

AVISO: Una disminución notable del tiempo de funcionamiento después de cargar por completo el paquete de baterías, indica que las baterías están llegando al final de su vida útil y se deben reemplazar.

INSTRUCCIONES DE FUNCIONAMIENTO

2. Uso en clima frío

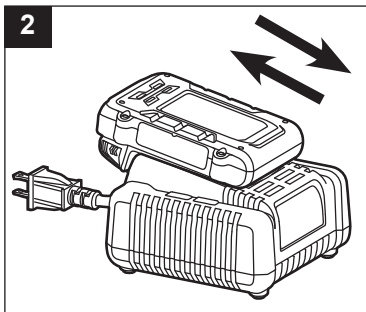
El paquete de baterías de litio ión proporcionará un rendimiento óptimo en un ambiente con temperaturas entre 0 °C (32 °F) y 40 °C (104 °F). Cuando el paquete de baterías está muy frío, puede que “pulse” durante el primer minuto de uso para entibiarse. Coloque el paquete de baterías en una herramienta y use la herramienta en una aplicación ligera. Después de un minuto, el paquete de baterías se habrá entibiado y funcionará con normalidad.

3. Para cargar el paquete de baterías


AVISO: Este paquete de baterías de litio ión se envía con una carga parcial. Antes de usarlo por primera vez, debe cargar el paquete de baterías por completo.


El paquete de baterías completamente descargado se cargará en 85 minutos con el cargador KRC 2445-03 en un ambiente con temperaturas entre 5 °C (41 °F) y 40 °C (104 °F).

- Siempre cargue el paquete de baterías con el cargador correcto.
- Conecte el cargador a un suministro de electricidad.
- Conecte el paquete de baterías al cargador al alinear las varillas elevadas del paquete de baterías con la ranura en el cargador. Deslice el paquete de baterías sobre el cargador (Fig. 2).
- Cuando el cargador indica que el paquete de baterías está completamente cargado, retírelo del cargador.




CUIDADO Y MANTENIMIENTO

 Todos los mantenimientos se deben realizar únicamente por un técnico de servicio calificado.

 Deseche de inmediato los paquetes de baterías usados. Mantenga los paquetes de baterías alejados de los niños. No desensamble ni incinere los paquetes de baterías.

Limpieza

 Antes de limpiar o realizar cualquier mantenimiento, retire el paquete de baterías de la herramienta. Para un uso seguro y adecuado, siempre mantenga limpias la herramienta y sus ranuras de ventilación.

Siempre use solamente un paño suave y seco para limpiar el paquete de baterías; nunca use detergente ni alcohol.

3 AÑOS DE GARANTÍA SIN PROBLEMAS

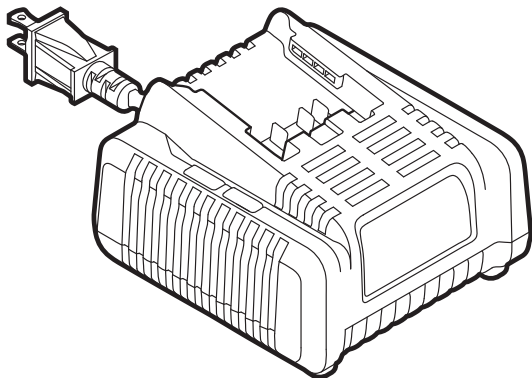
La batería está garantizada contra defectos de fabricación en materiales y mano de obra por 3 años desde la fecha de compra para el comprador original. Esta garantía no cubre daños por el abuso, desgaste normal, mantenimiento inadecuado, negligencia, reparación/ alteración no autorizada o piezas fungibles y accesorios que se esperan que sean inutilizables después de un período de uso razonable.

Si cree que este producto cumple con la garantía mencionada arriba, devuelva el producto al lugar donde lo compró con un comprobante de compra válido y el producto defectuoso se reparará o reemplazará sin cargo. Esta garantía le otorga derechos legales específicos, pero también podría tener otros derechos que varían según el estado.

Impreso en China

KOBALT® y K Design® son marcas registradas de LF, LLC. Todos los derechos reservados.

KOBALT™



ITEM #0672826/0672827/0672823/0672824/0790022/0790024
0854723/0854724/0854725/0856455/0856456/0856457

LITHIUM-ION CHARGER

MODEL #KRC 2445-03

Español p. 15

ATTACH YOUR RECEIPT HERE

Serial Number _____ **Purchase Date** _____



Questions, problems, missing parts? Before returning to your retailer, call our customer service department at 1-888-3KOBALT (1-888-356-2258), 8 a.m. - 8 p.m., EST, Monday - Friday.

AB15783

TABLE OF CONTENTS

Product Specifications	2
Package Contents	3
Safety Information	4
Preparation	9
Operating Instructions	10
Care and Maintenance	12
Warranty	13

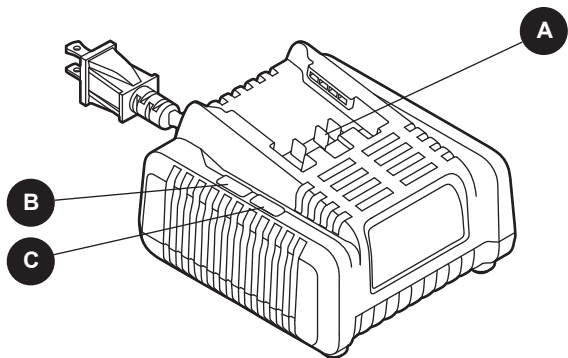
PRODUCT SPECIFICATIONS

COMPONENT	SPECIFICATIONS
Charger input	120V ~, 60Hz.
Charging output	25.2V d.c.
Optimum charging temperature	41°F (5°C) - 104°F (40°C)

NOTICE: Use with the following batteries only.

BATTERY PACK	VOLTAGE	TYPE
KB 124-03	24V	Li-Ion
KB 224-03	24V	Li-Ion
KB 424-03	24V	Li-Ion
KB 524-03	24V	Li-Ion

PACKAGE CONTENTS



PART	DESCRIPTION
A	Electric contacts
B	Green LED charge indicator
C	Red LED charge indicator

⚠ WARNING

- Remove the tool from the package and examine it carefully. Do not discard the carton or any packaging material until all parts have been examined.
- If any part of the tool is missing or damaged, do not attach the battery pack or use the tool until the part has been repaired or replaced. Failure to heed this warning could result in serious injury.

SAFETY INFORMATION

Please read and understand this entire manual before attempting to assemble or operate this product. If you have any questions regarding the product, please call customer service at 1-888-3KOBALT, 8 a.m. - 8 p.m., EST, Monday - Friday.

Know the Tool

To operate this tool, carefully read this manual and all labels affixed to the charger before using it. Keep this manual available for future reference.

Important

This charger should be serviced only by a qualified service technician.

Read All Instructions Thoroughly

IMPORTANT SAFETY INSTRUCTIONS- SAVE THESE INSTRUCTIONS

DANGER – TO REDUCE THE RISK OF FIRE OR ELECTRIC SHOCK, CAREFULLY FOLLOW THESE INSTRUCTIONS

Specific Safety Warnings for Charger

WARNING:

- Read and understand all instructions. Failure to follow all instructions listed below may result in electric shock, fire, and/or serious personal injury.
- Before using the battery charger, read all instructions and cautionary markings in this manual and on the battery charger. Also read all the instructions in the manuals for and the cautionary markings on the battery and the product using the battery to prevent misuse of the products and possible injury or damage.

SAFETY INFORMATION

CAUTION

- To reduce the risk of electric shock or damage to the charger and battery, charge only those rechargeable batteries specifically designated on your charger's label. Other types of batteries may burst, causing personal injury or damage.
- Do not use the charger outdoors or expose it to wet or damp conditions. Water entering the charger will increase the risk of electric shock.
- Use of an attachment not recommended or sold by the battery-charger manufacturer may result in a risk of fire, electric shock or injury to persons.
- Do not abuse the cord or charger. Never use the cord to carry the charger. Do not pull the charger cord to disconnect the plug from a receptacle. Damage to the cord or charger could occur and create an electric shock hazard. Replace damaged cords immediately.
- Make sure that the cord is located so that it will not be stepped on, tripped over, come in contact with sharp edges or moving parts, or otherwise be subjected to damage or stress. This will reduce the risk of accidental falls, which could cause injury and damage to the cord, which could then result in electric shock.
- Keep the cord and charger away from heat to prevent damage to the housing or internal parts.
- Do not allow gasoline, oils, petroleum-based products, etc., to come in contact with plastic parts. These materials contain chemicals that can damage, weaken, or destroy plastic.

SAFETY INFORMATION

- An extension cord should not be used unless absolutely necessary. Use of an improper extension cord could result in a risk of fire and electric shock. If an extension cord must be used, make sure that:
 - The pins on the plug of extension cord are the same number, size and shape as those of the plug on charger.
 - The cord is properly wired and in good electrical condition.
 - The size is large enough for A/C ampere rating of charger as specified below:

Cord Length (Feet)	25 ft.	50 ft.	100 ft.
Cord Size (AWG)	16	16	16

NOTE: AWG = American Wire Gauge

- Do not operate the charger with a damaged cord or plug, which could cause shorting and electric shock. If damaged, have the charger repaired or replaced by a qualified service technician.
- Do not operate the charger if it has received a sharp blow, been dropped, or has otherwise been damaged in any way. Take it to a qualified service technician for an electrical check to determine if the charger is in good working order.
- Do not disassemble the charger. Take it to a qualified service technician when service or repair is required. Incorrect reassembly may result in a risk of electric shock or fire.
- Unplug the charger from the electrical outlet before attempting any maintenance or cleaning to reduce the risk of electric shock.
- Disconnect charger from the power supply when not in use. This will reduce the risk of electric shock or damage to the charger if metal items should fall into the opening. It will also help prevent damage to the charger during a power surge.

SAFETY INFORMATION

- Risk of electric shock. Do not touch the uninsulated portion of output connector or uninsulated battery terminal.
- Save these instructions. Refer to them frequently and use them to instruct others who may use this tool. If you loan this tool to someone else, also loan these instructions to them to prevent misuse of the product and possible injury.

DANGER

- People with electronic devices, such as pacemakers, should consult their physician(s) before using this product. Operation of electrical equipment in close proximity to a heart pacemaker could cause interference or failure of the pacemaker.

SAFETY INFORMATION

FCC Statement

- This device complies with Part 15 of the FCC Rules. Operation is subject to the following two conditions:
 - This device may not cause harmful interference.
 - This device must accept any interference received, including interference that may cause undesired operation.
- Changes or modifications not expressly approved by the party responsible for compliance could void the user's authority to operate the equipment.

NOTICE: This equipment has been tested and found to comply with the limits for a Class B digital device, pursuant to Part 15 of the FCC Rules. These limits are designed to provide reasonable protection against harmful interference in a residential installation. This equipment generates, uses, and can radiate radio frequency energy and, if not installed and used in accordance with the instructions, may cause harmful interference to radio communications. However, there is no guarantee that interference will not occur in a particular installation. If this equipment does cause harmful interference to radio or television reception, which can be determined by turning the equipment off and on, the user is encouraged to try to correct the interference by one or more of the following measures: Reorient or relocate the receiving antenna. Increase the separation between the equipment and receiver. Connect the equipment into an outlet on a circuit different from that to which the receiver is connected. Consult the dealer or an experienced radio/TV technician for help.

PREPARATION

Know Your Battery Charger

Before attempting to use the battery charger, familiarize yourself with all of its operating features and safety requirements.

WARNING

- Do not allow familiarity with the battery charger to cause carelessness. Remember that one careless moment is enough to cause severe injury. Before attempting to use any tool, be sure to become familiar with all of the operating features and safety instructions.
- Do not attempt to modify this charger or create accessories not recommended for use with this charger. Any such alteration or modification is misuse and could result in a hazardous condition leading to possible serious personal injury.

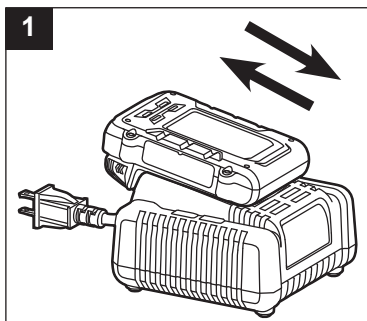
OPERATING INSTRUCTIONS

1. To Charge a Battery Pack

NOTICE: Battery packs are shipped in a low charge condition to prevent possible problems. Before using it the first time, fully charge the battery pack. Refer to the operating manual for your battery pack to determine charging times.

- a. Charge the battery pack with the correct charger.
- b. Connect the charger to a power supply. The red and green LED charge indicators (B and C) will illuminate approximately 1 second then turn off.

- c. Attach the battery pack to the charger by aligning the raised ribs of the battery pack with the slot in the charger. Slide the battery pack onto the charger (Fig. 1).



- d. The charger will communicate with the battery pack's circuitry to evaluate the condition of the battery pack. Please refer to the Charger Display section.
- e. The green LED will flash continuously during normal charging.
- f. After charging is complete, the green LED on the charger will be on and the power indicator LEDs on the battery pack will turn off. The power indicator LEDs will illuminate when the power indicator button is pressed while the battery pack is off the charger.

OPERATING INSTRUCTIONS

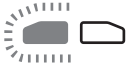

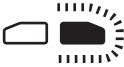

NOTICE:

- The battery pack will fully charge, but will not overcharge, if left on the charger.
- The charger may warm with several continuous charge cycles. This is part of the normal operation of the charger. Always charge the battery pack in a well-ventilated area.

Lithium-Ion Batteries

It is not necessary to run down the Lithium-Ion battery pack charge before recharging. Remove the battery pack from the tool and recharge it when it is convenient.

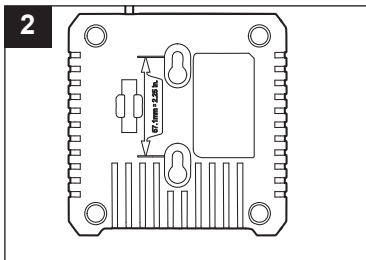
2. Charger Display

INDICATOR	BATTERY PACK	GREEN LED	RED LED	ACTION
	Normal charging	Flashing	Off	Charging
	Fully charged	On	Off	Charging is complete
	Defective	Off	Flashing	Battery pack or charger is defective
	Hot/Cold battery	Off	On	Battery is out of temperature range

OPERATING INSTRUCTIONS

3. Wall-mount holes

The charger has hanging holes for convenient storage. Install screws in the wall 2.25 inches apart. Use screws sufficiently strong to hold the combined weight of the charger and battery pack.



CARE AND MAINTENANCE

⚠ All maintenance should only be carried out by a qualified service organization.

Cleaning

⚠ Before cleaning or performing any maintenance, disconnect the battery charger from the power source. For safe and proper operation, always keep the charger and its ventilation slots clean.

Always use only a soft, dry cloth to clean your charger; never use detergent or alcohol.

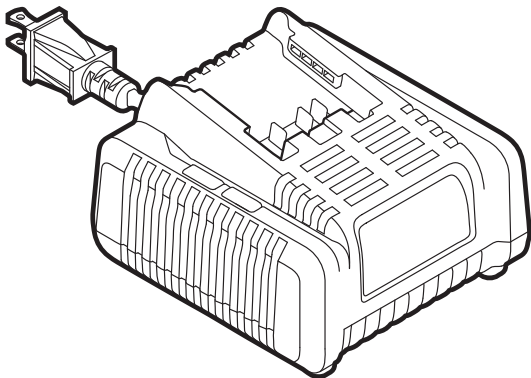
3-YEAR HASSLE-FREE WARRANTY

For 3 years from date of purchase the charger is warranted for the original purchaser to be free from defects in material and workmanship. This guarantee does not cover damage due to abuse, normal wear, improper maintenance, neglect, unauthorized repair/alteration, or expendable parts and accessories expected to become unusable after a reasonable period of use.

If you think your product meets the above guarantee criteria, please return it to the place of purchase with valid proof of purchase and the defective product will be repaired or replaced at no charge. This guarantee gives you specific legal rights, and you may also have other rights that vary from state to state.

Printed in China

KOBALT™



ARTÍCULO #0672826/0672827/0672823/0672824/0790022/0790024
0854723/0854724/0854725/0856455/0856456/0856457

CARGADOR DE LITIO IÓN

MODELO #KRC 2445-03

ADJUNTE SU RECIBO AQUÍ

Número de serie _____ Fecha de compra _____



¿Preguntas, problemas, piezas faltantes? Antes de volver a la tienda, llame a nuestro Departamento de Servicio al Cliente al 1-888-3KOBALT (1-888-356-2258), de lunes a viernes de 8 a.m. a 8 p.m., hora estándar del Este.

ÍNDICE

Especificaciones del producto	16
Contenido del paquete	17
Información de seguridad	18
Preparación	23
Instrucciones de funcionamiento	24
Cuidado y mantenimiento	26
Garantía	27

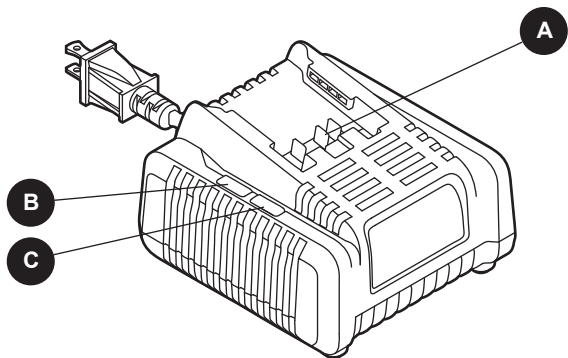
ESPECIFICACIONES DEL PRODUCTO

COMPONENTE	ESPECIFICACIONES
Entrada del cargador	120 V ~ 60 Hz
Salida de carga	25.2V c.c.
Temperatura óptima de carga	5 °C (41 °F) a 40 °C (104 °F)

AVISO: Solo para utilizar con las siguientes baterías.

PAQUETE DE BATERÍAS	VOLTAJE	TIPO
KB 124-03	24V	Li-Ion
KB 224-03	24V	Li-Ion
KB 424-03	24V	Li-Ion
KB 524-03	24V	Li-Ion

CONTENIDO DEL PAQUETE



⚠ ADVERTENCIA

- Retire la herramienta del paquete y examínela con cuidado. No deseche la caja ni ningún material de embalaje hasta después de examinar todas las piezas.
- Si falta alguna pieza o si alguna pieza está dañada, no fije el paquete de baterías ni use la herramienta hasta reparar o reemplazar la pieza. El incumplimiento de esta advertencia podría provocar lesiones graves.

INFORMACIÓN DE SEGURIDAD

Lea y comprenda este manual por completo antes de intentar ensamblar u operar este producto. Si tiene preguntas relacionadas con el producto, llame al Departamento de Servicio al Cliente al 1-888-3KOBALT, de lunes a jueves de 8 a.m. a 8 p.m., hora estándar del Este.

Conozca la herramienta

Para operar esta herramienta, lea con detenimiento este manual y todas las etiquetas del cargador antes de usarlo. Guarde este manual para referencia futura.

Importante

Solo un técnico calificado puede reparar este cargador.

Lea por completo todas las instrucciones

INSTRUCCIONES IMPORTANTES DE SEGURIDAD

GUARDE ESTAS INSTRUCCIONES

PELIGRO: PARA DISMINUIR EL RIESGO DE INCENDIO O DESCARGA ELÉCTRICA, SIGA CON DETENIMIENTO ESTAS INSTRUCCIONES.

Advertencias de seguridad específicas del cargador

ADVERTENCIA:

- Lea y comprenda todas las instrucciones. Si no se siguen todas las instrucciones detalladas a continuación, existe la posibilidad de una descarga eléctrica, un incendio o lesiones graves a la persona.
- Antes de usar el cargador de batería, lea todas las instrucciones y las marcas de precaución en este manual y en el cargador de batería. También lea todas las instrucciones en los manuales para las marcas de precaución en la batería y en el producto que utiliza la batería para evitar el uso indebido de los productos y posibles lesiones o daños.

INFORMACIÓN DE SEGURIDAD

PRECAUCIÓN

- Para reducir el riesgo de descarga eléctrica o daño al cargador o a la batería, cargue solo las baterías recargables designadas específicamente en la etiqueta de su cargador. Otros tipos de baterías podrían quemarse, lo que puede provocar lesiones personales o daños al producto.
- No utilice el cargador en exteriores ni lo exponga a condiciones de humedad. Si ingresa agua en el cargador, aumentará el riesgo de una descarga eléctrica.
- El uso de un accesorio no recomendado ni vendido por el fabricante del cargador de batería puede ocasionar riesgo de incendios, descargas eléctricas o lesiones a personas.
- No maltrate el cable o el cargador. Nunca use el cable para llevar el cargador. Nunca jale el cable de alimentación para desconectar el enchufe de un tomacorriente. Puede dañar el cable o el cargador y generar un peligro de descarga eléctrica. Reemplace los cables dañados inmediatamente.
- Asegúrese de saber dónde está el cable para evitar pisarlo, tropezarse con él, tener contacto con bordes filosos o piezas que se muevan para evitar dañarlo de alguna otra forma. Esto reducirá el riesgo de caídas accidentales, las cuales pueden dañar el cable y, por ende, pueden provocar una descarga eléctrica.
- Mantenga el cable y el cargador alejados del calor para evitar daños a las piezas internas o a la carcasa.
- No permita que gasolina, aceites, productos a base de petróleo, etc. entren en contacto con las piezas de plástico. Estos materiales contienen químicos que pueden dañar, debilitar o destruir el plástico.

INFORMACIÓN DE SEGURIDAD

- No se debe utilizar una extensión eléctrica a menos que sea absolutamente necesario. El uso de una extensión eléctrica inapropiada podría causar riesgo de incendio y de descarga eléctrica. Si es necesario utilizar una extensión eléctrica, asegúrese de lo siguiente:
 - Los pasadores en el enchufe de la extensión eléctrica deben ser del mismo número, tamaño y forma que los del enchufe del cargador.
 - La extensión eléctrica debe estar conectada de forma adecuada y en buenas condiciones eléctricas.
 - El tamaño debe ser lo suficientemente grande para el amperaje C/A que figura en el cargador como se especifica a continuación:

Largo del cable (metros)	7,62 m	5,24 m	30,48 m
Tamaño del cable (AWG)	16	16	16

NOTA: Calibre del alambre estadounidense = AWG

- No use el cargador con un cable o enchufe dañado, esto puede provocar un cortocircuito o una descarga eléctrica. Si se encuentra dañado, un técnico de servicio autorizado debe reparar o reemplazar el cargador.
- No use el cargador si recibió un golpe fuerte, se cayó o daño de alguna forma. Llévelo a un técnico de servicio calificado para revisarlo y determinar si el cargador está en buenas condiciones.
- No desensamble el cargador. Llévelo a un técnico de servicio calificado cuando requiera reparación o mantenimiento. Si vuelve a ensamblar de forma incorrecta puede provocar un riesgo de descarga eléctrica o incendio.

INFORMACIÓN DE SEGURIDAD

- Desenchufe el cargador del tomacorriente antes de realizar cualquier mantenimiento o limpieza, para así disminuir el riesgo de descarga eléctrica.
- Desconecte el cargador del suministro de electricidad cuando no esté en uso. Esto reducirá el riesgo de una descarga eléctrica o daño del cargador en caso de que caigan artículos de metal dentro de la abertura. También ayudará a evitar daños al cargador durante una sobrecarga de alimentación.
- Riesgo de descarga eléctrica. No toque la parte no aislada de la conexión de salida o del terminal de la batería no aislado.
- Guarde estas instrucciones. Consúltelas a diario y utilícelas para instruir a otras personas que puedan utilizar esta herramienta. Si presta la herramienta a alguien más, préstele también estas instrucciones para prevenir el mal uso del producto y posibles lesiones.

PELIGRO

- Las personas con dispositivos electrónicos, como marcapasos, deben consultar a su médico antes de usar este producto. Si el equipo eléctrico funciona cerca de un marcapasos cardíaco se pueden generar interferencias o que el marcapasos falle.

INFORMACIÓN DE SEGURIDAD

Declaración de FCC

- Este dispositivo cumple con la sección 15 de las normas de la FCC. El funcionamiento está sujeto a las siguientes dos condiciones:
 - Este dispositivo no debe causar interferencia perjudicial.
 - Este dispositivo deberá aceptar cualquier interferencia recibida, entre otras la interferencia que pudiese causar la operación no deseada.
- Los cambios o modificaciones que no estén expresamente aprobados por la parte responsable del cumplimiento podrían anular la autorización del usuario para utilizar el equipo.

AVISO: Se ha probado y verificado que este equipo cumple con los límites para un dispositivo digital clase B, conforme a la sección 15 de las reglas de la FCC. Estos límites se han diseñado para proporcionar una protección razonable contra la interferencia perjudicial en una instalación residencial. Este equipo genera, utiliza y puede irradiar energía de radiofrecuencia y, si no se instala y usa de acuerdo con las instrucciones, puede causar interferencia perjudicial a las comunicaciones de radio. Sin embargo, no se garantiza que no se producirán interferencias en una instalación en especial. Si este equipo genera una interferencia perjudicial para la recepción de radio o televisión, lo que se puede determinar al apagar y encender el equipo, se recomienda al usuario que intente corregir la interferencia con una o más de las siguientes medidas: Reoriente o reubique la antena de recepción. Aumente la separación entre el equipo y el receptor. Conecte el equipo a un tomacorriente de un circuito distinto al que usa el receptor. Solicite ayuda al concesionario o a un técnico con experiencia en radio/TV.

PREPARACIÓN

Información acerca del cargador de batería

Antes de intentar usar el cargador de la batería, familiarícese con todas sus características de operación y requisitos de seguridad.

ADVERTENCIA

- No permita que la familiaridad con el cargador de batería disminuya su nivel de responsabilidad frente al producto. Recuerde que un momento de descuido es suficiente para causar lesiones graves. Antes de intentar utilizar cualquier herramienta, asegúrese de familiarizarse con todas las funciones de operación e instrucciones de seguridad.
- No intente modificar esta herramienta ni crear accesorios que no sean los recomendados para esta. Cualquier alteración o modificación se la considera como un mal uso del producto y podría causar una condición peligrosa que podría conllevar lesiones personales graves.

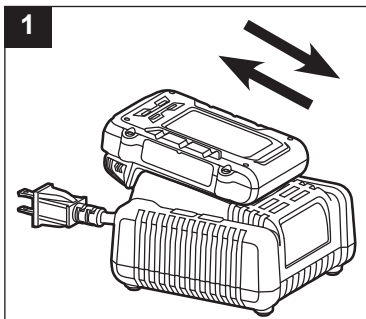
INSTRUCCIONES DE FUNCIONAMIENTO

1. Cómo cargar un paquete de baterías

AVISO: Los paquetes de baterías se envían con una carga baja para evitar posibles problemas. Antes de usarlo por primera vez, debe cargar el paquete de baterías por completo. Consulte el manual de funcionamiento del paquete de baterías para determinar los tiempos de carga.

- a. Cargue el paquete de baterías con el cargador correcto.
- b. Conecte el cargador a un suministro de electricidad. Los indicadores de carga de bombilla LED rojo y verde (B y C) se iluminan por aproximadamente un segundo y luego se apagan.

- c. Conecte el paquete de baterías al cargador al alinear las varillas elevadas del paquete de baterías con la ranura en el cargador. Deslice el paquete de baterías sobre el cargador (Fig. 1).



- d. El cargador se comunicará con el circuito del paquete de baterías para evaluar la condición de este último. Vea la sección Exhibidor de cargador.

- e. La bombilla LED verde destellará de forma continua durante el proceso de carga normal.

- f. Cuando termine de cargar, la bombilla LED verde en el cargador se encenderá y las bombillas LED indicadoras de alimentación en el paquete de baterías se apagarán. Las bombillas LED indicadoras de alimentación se iluminarán cuando presione el botón indicador de alimentación mientras el paquete de baterías no esté en el cargador.

INSTRUCCIONES DE FUNCIONAMIENTO



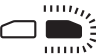

AVISO:

- El paquete de baterías se cargará por completo, pero no se sobrecargará si se deja en el cargador.
- El cargador se debe entibiar con varios ciclos continuos de carga. Esto es parte del funcionamiento normal del cargador. Siempre cargue el paquete de baterías en un área bien ventilada.

Baterías de litio ión

No es necesario descargar el paquete de baterías de litio ión antes de volver a cargarlo. Retire el paquete de baterías de la herramienta y cárguelo nuevamente según sea necesario.

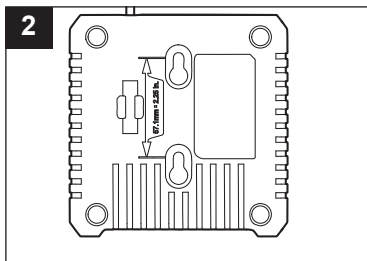
2. Exhibidor del cargador

INDICADOR	PAQUETE DE BATERÍAS	BOMBILLA LED VERDE	BOMBILLA LED ROJA	ACCIÓN
	Carga normal	Parpadeando	Apagada	Cargando
	Completamente cargada	Encendida	Apagada	Carga completa
	Defectuoso	Apagada	Parpadeando	El paquete de baterías o el cargador tiene fallas
	Batería fría/ caliente	Apagada	Encendida	Batería fuera del rango de temperatura

INSTRUCCIONES DE FUNCIONAMIENTO

3. Orificios para instalación en pared

El cargador cuenta con orificios para colgar que facilitan el almacenaje. Coloque tornillos en la pared a una distancia de 5,71 cm entre ellos. Use tornillos lo suficientemente fuertes para que sostengan el peso combinado del cargador y el paquete de baterías.



CUIDADO Y MANTENIMIENTO

⚠ Todos los mantenimientos se deben realizar únicamente por una organización de servicio calificada.

Limpieza

⚠ Antes de limpiar o realizar cualquier mantenimiento, desconecte el cargador de batería de la fuente de alimentación. Para un uso seguro y adecuado, siempre mantenga limpios el cargador y sus ranuras de ventilación.

Siempre use un paño suave y seco para limpiar el cargador de batería; nunca use detergente ni alcohol.

3 AÑOS DE GARANTÍA SIN PROBLEMAS

El cargador está garantizado contra defectos de fabricación en materiales y mano de obra por 3 años desde la fecha de compra para el comprador original. Esta garantía no cubre daños por el abuso, desgaste normal, mantenimiento inadecuado, negligencia, reparación/alteración no autorizada o piezas fungibles y accesorios que se esperan que sean inutilizables después de un período de uso razonable.

Si cree que este producto cumple con la garantía mencionada arriba, devuelva el producto al lugar donde lo compró con un comprobante de compra válido y el producto defectuoso se reparará o reemplazará sin cargo. Esta garantía le otorga derechos legales específicos, pero también podría tener otros derechos que varían según el estado.

Impreso en China

