

KOBALT™



ITEM #1438125

40V 19-INCH DECK WIDTH MOWER

MODEL # KM 4040-06

Español p. 25

ATTACH YOUR RECEIPT HERE

Serial Number _____ Purchase Date _____



Questions, problems, missing parts? Before returning to your retailer, call our customer service department at **1-888-3KOBALT (1-888-356-2258)**, 8 a.m. - 8 p.m., **EST, Monday - Sunday.**

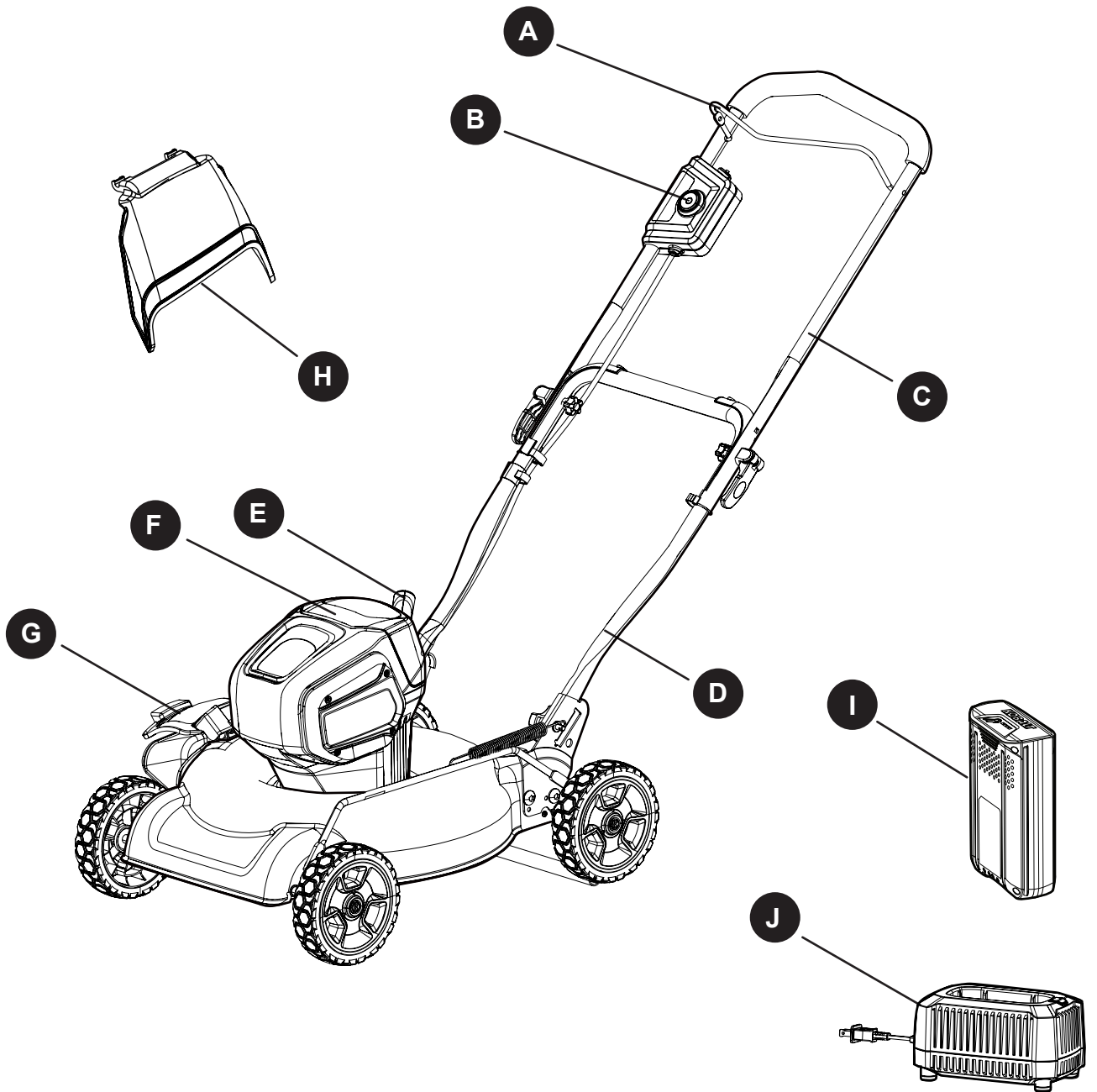
TABLE OF CONTENTS

Product Specifications	2
Package Contents	3
Hardware Contents	4
Symbols	5
Safety Information	7
Preparation	13
Assembly Instructions	13
Operating Instructions	16
Care and Maintenance.....	19
Troubleshooting	22
Warranty	23
Replacement Parts List.....	24

PRODUCT SPECIFICATIONS

SPECIFICATIONS	
Battery type	40V Lithium-ion
Charge time	120 minutes, for 40v 4 Ah battery
No-load speed	3,500 RPM
Height adjustments	1 1/2 -- 3 3/8 in.
Functions	2-in-1, Side Discharge/ Mulch
Unit weight (without battery)	37,8 lbs. (17,15 kg)

PACKAGE CONTENTS

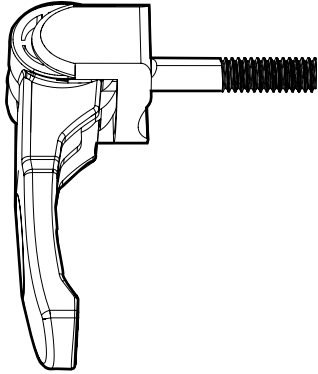


PART	DESCRIPTION	QUANTITY
A	Bail lever	1
B	Start button	1
C	Upper handle	1
D	Lower handle	1
E	Height adjustment lever	1

PART	DESCRIPTION	QUANTITY
F	Battery door	1
G	Side discharge cover	1
H	Side discharge chute	1
I	Battery	1
J	Charger	1

HARDWARE CONTENTS (not shown actual size)

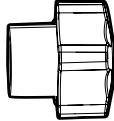
AA



Cam lock bolt

Qty. 2

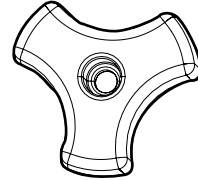
BB



Upper handle knob

Qty. 2

CC













Lower handle knob

Qty. 2




SYMBOLS

Some of the following symbols may be used on this product. Please study them and learn their meaning. Proper interpretation of these symbols will allow you to operate the product better and safer.


SYMBOLS	DESIGNATION	EXPLANATION
V	Volts	Voltage
A	Amperes	Current
Hz	Hertz	Frequency (cycles per second)
W	Watts	Power
min	Minutes	Time
~	Alternating Current	Type of current
≡	Direct Current	Type or a characteristic of current
no	No Load Speed	Rational speed, at no load
	Class II Construction	Double-insulated construction
/min	Per Minute	Revolutions, strokes, surface speed, orbits, etc., per minute
	Safety Alert	Precautions that involve your safety.
	Wet Conditions Alert	Do not expose to rain or use in damp locations
	Read The Operator's Manual	To reduce the risk of injury user must read and understand operator's manual before using this product.
	Eye Protection	Always wear eye protection with side shields marked to comply with ANSI Z87.1.
	Keep Hands and Feet Away	Keep hands and feet away from blade and cutting area.
	No Reach	Do not reach hands or feet under mower deck.
	No Slope	Do not operate on inclines greater than 15°. Mow across the face of slopes, never up and down.
	Keep Bystanders Away	Keep all bystanders at least 100 ft. away.
	Ricochet	Pay attention that bystanders are not injured through foreign objects thrown from the mower.

SYMBOLS

The following signal words and meanings are intended to explain the levels of risk associated with this product.

SYMBOL	SIGNAL	MEANING
	DANGER	Indicates an imminently hazardous situation, which, if not avoided, will result in death or serious injury.
	WARNING	Indicates a potentially hazardous situation, which, if not avoided, could result in death or serious injury.
	CAUTION	Indicates a potentially hazardous situation, which, if not avoided, may result in minor or moderate injury.
	CAUTION	(Without Safety Alert Symbol) Indicates a situation that may result in property damage.

WARNING

- To avoid serious personal injury, do not attempt to use this product until you have read this Owner's Manual thoroughly and understand it completely. If you do not understand the warnings and instructions in this Owner's Manual, do not use this product. Call 1-888-356-2258 for assistance.
-  The operation of any power tool can result in foreign objects being thrown into your eyes, which can result in severe eye damage. Before operating a power tool, always wear safety goggles, safety glasses with side shields, or a full face shield when needed. A Wide Vision Safety Mask is recommended for use over eyeglasses or standard safety glasses with side shields. Always use eye protection that is marked to comply with ANSI Z87.1.

SAVE THESE INSTRUCTIONS



SAFETY INFORMATION

GENERAL SAFETY RULES

READ ALL INSTRUCTIONS CAREFULLY



WARNING

- This symbol indicates important safety instructions. If these instructions are not followed, it could endanger the personal safety and/or property of the operator and others. Read and understand all instructions in this manual before attempting to operate the mower. Failure to comply with these instructions may result in personal injury.
- Basic safety precautions should always be followed when using electric lawn mowers, in order to reduce the risk of fire, electric shock, and personal injury.
- Use of this mower should be restricted to individuals who have read and understood and will follow the warnings and instructions that are printed in this manual and on the mower.



DANGER

This mower was built to be operated according to the rules for safe operation that are contained in this manual. As with any type of power equipment, carelessness or error on the part of the operator can result in serious injury. This mower is capable of amputating body parts and throwing objects. Failure to observe the following safety rules could result in serious injury or death.

- Carefully read all instructions on the mower and in the manual before attempting to assemble and operate the mower. Keep this manual in a safe place for future reference, and consult it regularly.
- Become familiar with all controls and their proper operation. Know how to stop the mower and how to disengage the power in an emergency.
- In order to avoid contact with the blade or injury caused by a thrown object, stay in the operating zone behind the handles, and keep children and bystanders at least 100 ft. (30 m) away from the mower while it is in operation. Stop the motor immediately if someone enters the mowing area.
- Thoroughly inspect the area where the mower is to be used. Remove all stones, sticks, wire, bones, toys, and other objects that could be tripped over or thrown by the blade. Thrown objects can cause serious personal injury.
- Plan your mowing pattern in such a way as to avoid discharging material toward roads, sidewalks, bystanders, etc. Do not discharge material against a wall or obstruction. Doing so may cause the discharged material to ricochet back toward the operator.
- Always wear proper eye protection that complies with ANSI Z87.1 in order to protect your eyes while operating or performing any adjustment or repair. Thrown objects that ricochet can cause serious eye injury.
- Always wear a face mask or a dust mask when operating the mower in a dusty environment.
- Dress properly. Do not wear loose clothing or jewelry that can get caught in moving parts. The wearing of protective gloves and safety footwear is recommended.



SAFETY INFORMATION

- Many injuries occur as a result of the mower being pulled over the operator's foot during a fall caused by slipping or tripping. Do not operate this mower in bare feet, or while wearing sandals or lightweight (e.g., canvas) shoes. Do not hold on to the mower if you are falling. Release the handle immediately.
- Never pull the mower back toward you while you are walking. If you must back the mower away from a wall or an obstruction, first look down and behind in order to avoid tripping, and then follow these steps:
 - Step back from the mower in order to fully extend your arms.
 - Be sure that you are well balanced.
 - Pull the mower back slowly.
- Do not use the mower for any job except that for which it is intended. Do not force the mower.
- Do not operate the mower while under the influence of alcohol or drugs.
- Stay Alert: Do not operate the mower when you are tired. Pay attention to what you are doing. Use common sense.
- Do not put hands or feet near rotating parts or under the cutting deck. Contact with the blade can amputate hands and feet.
- Do not attempt to adjust the wheels or the cutting height while the motor is running.
- Avoid dangerous environments. Do not operate the mower in the rain or in wet or damp grass.
- Mow only in daylight or in good artificial light. Do not rush a mowing job.
- Stop the blade when crossing gravel driveways, walkways, or roads.
- If the mower starts to vibrate excessively, stop the motor and check for the cause immediately. Vibration is generally a warning of trouble.
- Stop the motor and wait until the blade comes to a complete stop before removing the grass catcher or unclogging the chute. The cutting blade will continue to rotate for a few seconds after the motor is shut off. Do not place any part of your body in the blade area until you are sure that the blade has stopped rotating.
- Never operate mower without a proper trail shield, discharge cover, grass catcher, switch control, or other safety device in place and in working order. Do not operate the mower with damaged safety devices. Doing so can result in injury.
- Don't force the lawn mower. It will do the job better and safer at the rate for which it was designed.
- Always store your lawn mower indoors. When not in use, the lawn mower should be stored indoors in a dry and locked place, out of reach of children.
- Maintain your lawn mower. Keep cutting edges sharp and clean to ensure the best performance and safe operation.
- If lawn mower strikes a foreign object, follow these steps:
 - Stop lawn mower, release the bail lever.
 - Remove the battery.
 - Inspect for damage.



SAFETY INFORMATION

- Repair any damage before restarting and operating the lawn mower.
- Do not charge lawn mower in rain or in wet location.
- Remove or disconnect battery before servicing, cleaning or removing material from lawn mower.
- Use identical replacement blades only.
- Do not open or break the battery. Broken batteries can release corrosive electrolytes which can cause damage to the eyes or skin. It may be toxic if swallowed.
- When using, keep out of water, direct sunlight and do not expose to rain.
- Store indoors, and do not expose to rain or water. Avoid direct sunshine.

CHILD SAFETY

Tragic accidents can occur if the operator is not aware of the presence of children.

- Keep children out of the mowing area and under the watchful care of a responsible adult.
- Do not allow children under the age of 14 to operate this mower. Children who are 14 years of age and older must read and understand the operating instructions and safety rules in this manual, and must be trained and supervised by a parent.
- Stay alert, and turn the mower off if a child or any other person enters the mowing area.
- Look behind and down for small children before and while moving backwards.
- Use extreme care when approaching blind corners, doorways, shrubs, trees, or other objects that may obscure your view of a child who may run into the path of the mower.



WARNING

- To reduce the risk of damage and danger, never clean the tool with pressure washer or under running water.
- Store indoors only. Always remove the battery from mower and charger when cleaning or storing the tool.



SAFETY INFORMATION

BATTERY & CHARGER



CAUTION

Use only Kobalt approved replacement batteries. Other batteries may cause injury or damage to the mower. For use only with Kobalt KB 440C-06 batteries and KRC 40-06 charger.

BATTERY SAFETY RULES

- Battery tools do not have to be plugged into an electrical outlet; therefore, they are always in operating condition. Be aware of possible hazards when not using your battery tool or when changing accessories. Following this rule will reduce the risk of electric shock, fire, or serious personal injury.
- Do not place battery tools or their batteries near fire or heat. This will reduce the risk of explosion and possibly injury.
- Do not crush, drop or damage battery pack. Do not use a battery pack or charger that has been dropped or received a sharp blow. A damaged battery is subject to explosion. Properly dispose of a dropped or damaged battery immediately.
- Batteries can explode in the presence of a source of ignition, such as a pilot light. To reduce the risk of serious personal injury, never use any cordless product in the presence of open flame. An exploded battery can propel debris and chemicals. If exposed, flush with water immediately. Do not charge battery tool in a damp or wet location. Following this rule will reduce the risk of electric shock.
- For best results, your battery tool should be charged in a location where the temperature is more than 43°F (6°C) but less than 104°F (40°C). To reduce the risk of serious personal injury, do not store outside or in vehicles.
- Under extreme usage or temperature conditions, battery leakage may occur. If liquid comes in contact with your skin, wash immediately with soap and water. If liquid gets into your eyes, flush them with clean water for at least 10 minutes, then seek immediate medical attention. Following this rule will reduce the risk of serious personal injury.
- When battery pack is not in use, keep it away from other metal objects like: paper clips, coins, keys, nails, screws, or other small metal objects that can make a connection from one terminal to another. Shorting the battery terminals together may cause sparks, burns, or a fire.
- Always remove battery pack from your tool when you are assembling parts, making adjustments, cleaning, or when not in use. Removing battery pack will prevent accidental starting that could cause serious personal injury.
- Always remove battery pack before storing the device. When battery becomes fully charged, unplug the charger from the power supply and remove the battery pack from the charger.
- Always wear eye protection with side shields marked to comply with ANSI Z87.1, along with hearing protection. Failure to do so could result in objects being thrown into your eyes and other possible serious injuries.
- Keep battery pack dry, clean, and free from oil and grease. Always use a clean cloth when cleaning. Never use brake fluids, gasoline, petroleum-based products, or any solvents to clean battery pack.



SAFETY INFORMATION

PROPER BATTERY CARE

Off-season storage

To obtain the longest possible battery life, the following steps are suggested:

- Remove the battery pack from the charger once it is fully charged and ready for use.

For battery pack storage longer than 30 days:

- Store the battery pack where the temperature is below 80°F and away from moisture.
- Store battery packs in a 30% - 50% charged condition.
- Every two months of storage, charge the pack as normal.

CHARGER SAFETY RULES

- Charge the mower battery in a dry area that is protected from the weather. Do not expose the mower or the charger to rain. Do not charge the battery in a wet location. Operate the battery charger in temperatures between 43°F and 104°F. In order to reduce the risk of electric shock, use only the charger that is provided by the manufacturer to charge the battery.
- Do not misuse the charger cord. Never carry the charger by the cord. Do not disconnect the charger from the outlet by pulling the charger cord.
- Do not use a damaged charger. Replace the charger cords or the charger immediately.
- Keep the mower and the charger away from water, heat sources (radiators, heaters, stoves, etc.), flames, and chemicals.
- Make sure the battery pack is secured in the charger before beginning operation.
- The battery pack will become slightly warm to the touch while charging. This is normal and does not indicate a problem.
- Do not place the charger and battery pack in an area of extreme heat or cold. They will work best at normal room temperature.
- When batteries become fully charged, unplug the charger from the power supply and remove the battery pack.



WARNING

When transporting or servicing unit, always remove the battery.



WARNING (PROPOSITION 65)

Some dust created by power sanding, sawing, grinding, drilling, and other construction activities contains chemicals known to cause cancer, birth defects or other reproductive harm. Some examples of these chemicals are:

- Lead from lead-based paints
- Crystalline silica from bricks and cement and other masonry products, and
- Arsenic and chromium from chemically treated lumber.

Your risk of exposure to these chemicals varies depending on how often you do this type of work. To reduce your exposure to these chemicals, work in a well-ventilated area, and work with approved safety equipment, such as dust masks that are specially designed to filter out microscopic particles.

SAFETY INFORMATION

SERVICE

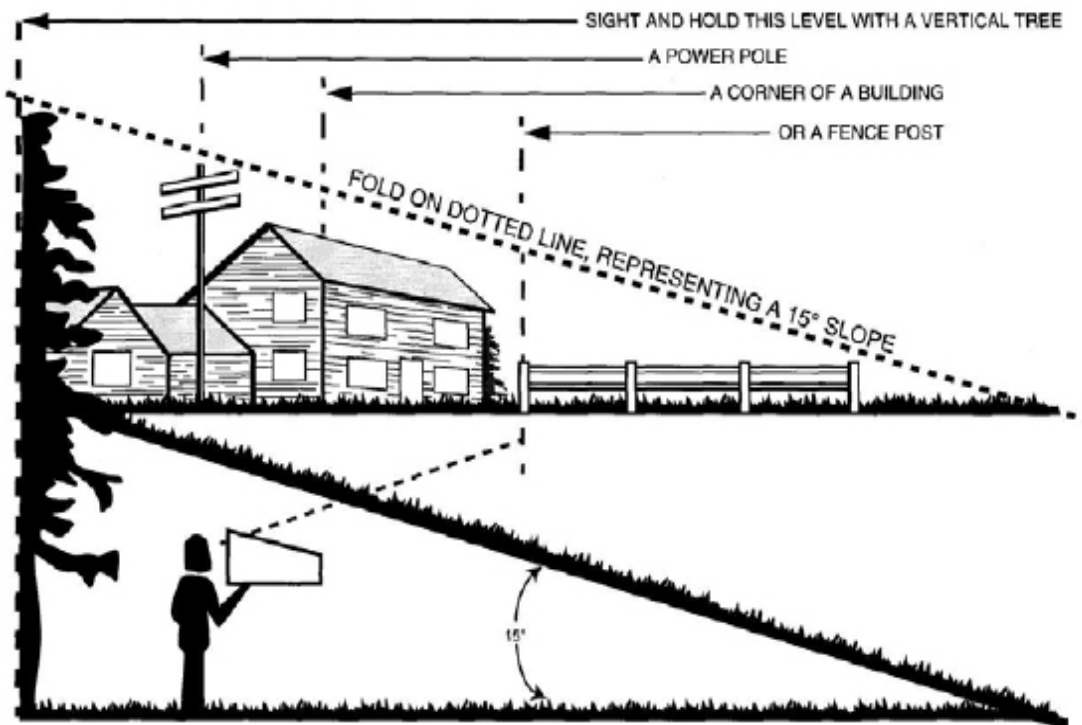
Servicing requires extreme care and knowledge and should be performed only by a qualified service technician. For service, it is suggested you return the product to your nearest AUTHORIZED SERVICE CENTER for repair. When servicing, use only identical replacement parts.

Slope gauge

WARNING

Slopes are a major factor related to accidents involving slips and falls, which can result in severe injury. Operating the mower on a slope requires extra caution. If you feel uneasy on a slope, do not mow it. For your safety, use the slope gauge that is included as part of this manual to measure slopes before operating this unit on a sloped or hilly area.

- Mow across the face of a slope, and never up and down. Exercise extreme caution when changing direction on a slope.
- Watch for holes, ruts, rocks, hidden objects, or bumps that may cause a slip or a trip. Tall grass can hide obstacles.
- Always be sure of your footing. If you feel like you are losing your balance, release the blade/motor control handle immediately. The blade will stop rotating within 3 seconds.
- Do not mow near drop-offs, ditches, or embankments, because you could lose your footing or balance.
- Do not mow a slope that has an angle of greater than 15°, as determined using the slope gauge.
- Do not mow wet or damp grass. Unstable footing can cause slipping.



WARNING

Do not mow a slope that has an angle of greater than 15° (a rise of approximately 2-1/2 ft. every 10 ft.). Mow across the face of a slope, and never up and down.

PREPARATION

Before beginning assembly of product, make sure all parts are present. Compare parts with package contents list and hardware contents list. If any part is missing or damaged, do not attempt to assemble the product.

UNPACKING

- Carefully remove the product and any accessories from the box. Make sure that all items listed in the package contents and hardware contents lists are included.
- Inspect the product carefully to make sure no breakage or damage occurred during shipping.
- Do not discard the packing material until you have carefully inspected and operated the product.
- If any parts are damaged or missing, please call 1-888-356-2258 for assistance.

Estimated Assembly Time: 5 minutes

ASSEMBLY INSTRUCTIONS

WARNING

- If any parts are damaged or missing, do not operate this product until the parts are replaced. Using a product with damaged or missing parts could result in serious personal injury.
- Do not attempt to modify this product or create accessories not recommended for use with this product. Any such alteration or modification is misuse and could result in a hazardous condition leading to possible serious personal injury.
- Do not insert battery until assembly is complete and you are ready to mow. Failure to comply could result in accidental starting and possible serious personal injury.
- To prevent accidental starting that could cause serious personal injury, always remove the battery pack from the product when assembling parts.
- Never operate the mower without the proper safety devices in place and working. Never operate the mower with damaged safety devices. Operation of this product with damaged or missing parts could result in serious personal injury.

WARNING

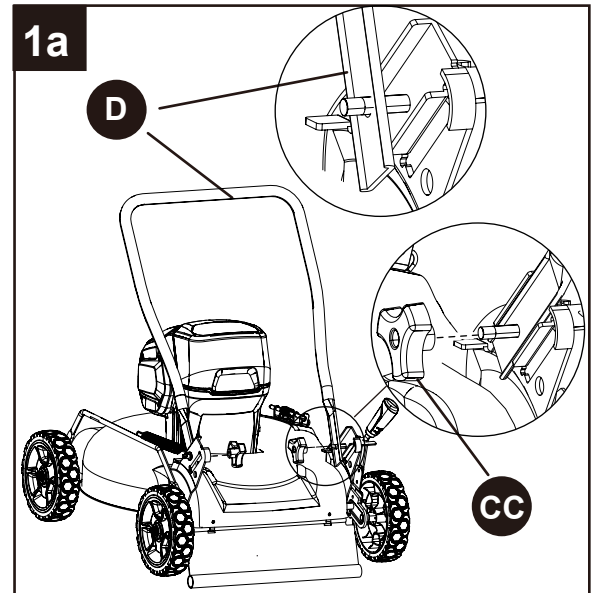
Folding or unfolding the handle improperly can damage the cables, causing an unsafe operating condition.

- Do not damage the cables when folding or unfolding the handle.
- If a cable is damaged, contact an Authorized Service Dealer.

ASSEMBLY INSTRUCTIONS

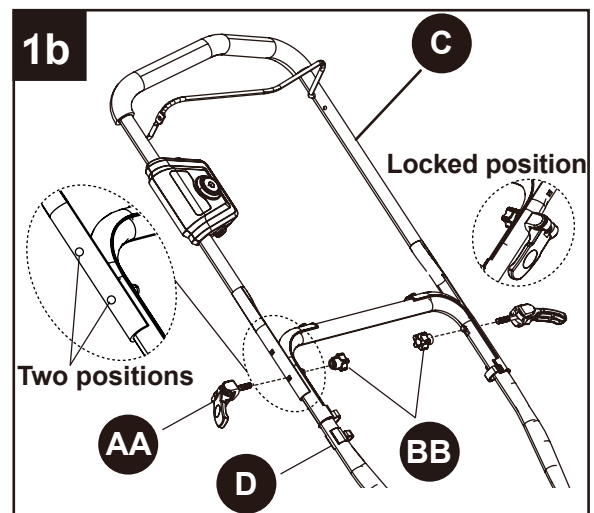
1a. Unfolding and adjusting handle

- Pull up the lower handle (D) until it's firmly secured into the brackets at both sides;
- Tighten the handle knobs (CC).



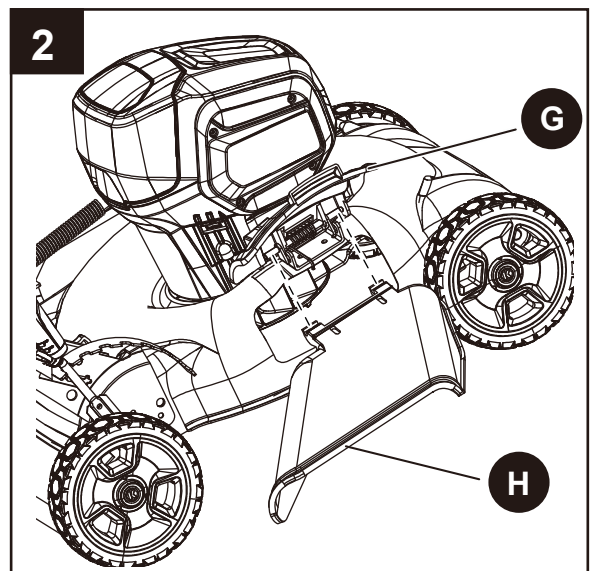
1b. Installing upper handle:

- Align the mounting holes on the upper handle (C) and the lower handle (D). Insert the cam lock bolts (AA) and secure using the handle knobs (BB). Repeat for both sides.
- There are two positions available for installation. Choose the position comfortable for you.



2. Installing the side discharge chute

- Lift the side discharge cover (G).
- Align the grooves on the side discharge chute (H) with the pins on the underside of the side discharge cover (G).
- Lower the side discharge chute until the hooks on the mower deck are secured in the openings of the side discharge chute.
- Release the side discharge cover.



ASSEMBLY INSTRUCTIONS

WARNING

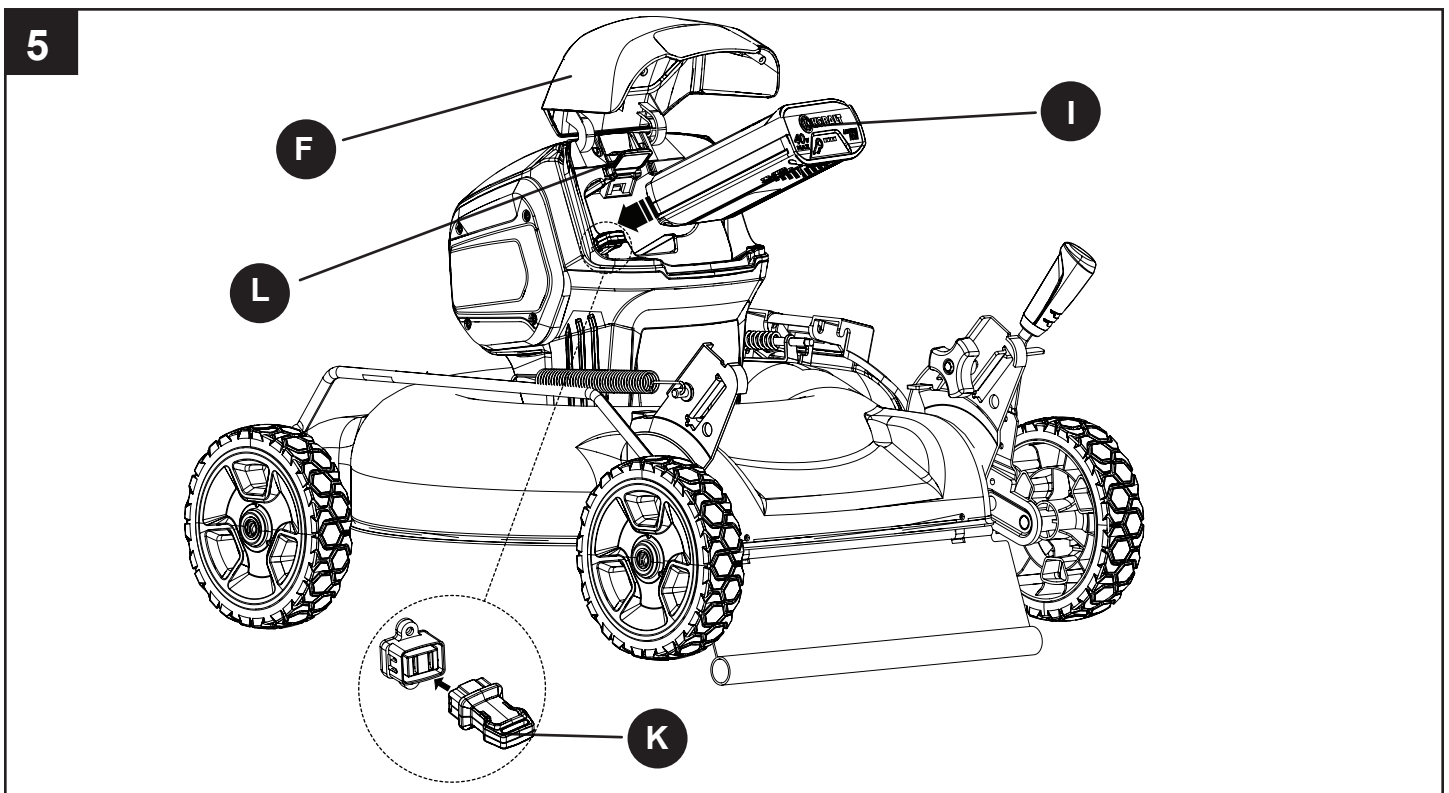
Always remove battery from your tool when you are assembling parts, making adjustments, cleaning, or when not in use. Removing battery will prevent accidental starting that could cause serious personal injury.

5a. To install battery

- Lift and hold up the battery door (F).
- Place the battery pack (I) in the mower. Align the ribs on battery pack with grooves in the battery port.
- Make sure the battery release button (L) snaps in place and that battery is fully seated and secure in the mower before beginning operation.
- Insert the safety key (K).
- If the machine is not going to be used immediately, do not insert the safety key.
- Close the battery door.

5b. To remove battery

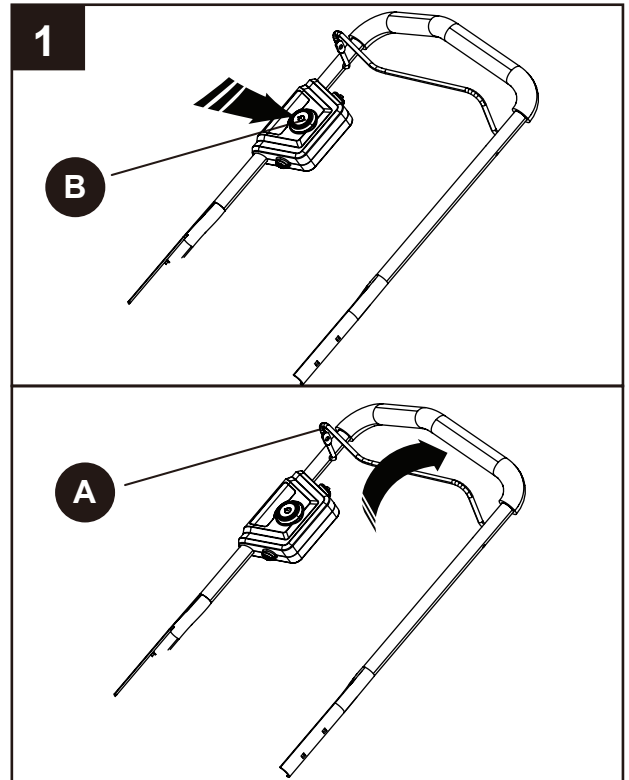
- Release the power lever to stop the mower.
- Open the battery door (F) to access the battery compartment.
- Remove the safety key (K).
- Press and hold the battery release button (L). This will cause the battery to raise out of the tool slightly.
- Remove battery pack from the mower.



OPERATING INSTRUCTIONS

1a. Powering on

1. Press and hold the safety switch button (B).
2. Pull the bail lever (A) upward to the handle to start the mower and release the safety switch button.



2. Powering off

- Release the bail lever.

2. Soft-Start

This mower is equipped with a “soft-start” feature. When initially starting up, the mower will take approx. 3 seconds to get up to full speed. If the mower does not initially start: Remove the battery and check under the mower deck to ensure there is nothing obstructing the blade and that the blade can spin freely by hand. Even a small amount of grass on start up will prevent the “soft start” from turning the mower on.

WARNING

Do not attempt to override the operation of the start button or bail lever.

WARNING

- The operation of any mower can result in foreign objects being thrown into the eyes, which can cause severe eye damage. Always wear safety glasses while operating the mower and while performing any adjustments or repairs.
- Ensure that other people and pets remain at least 100 ft. away when the mower is in use.
- Remove all stones, sticks, wires, bones, and other debris that might be thrown by the rotating blades.

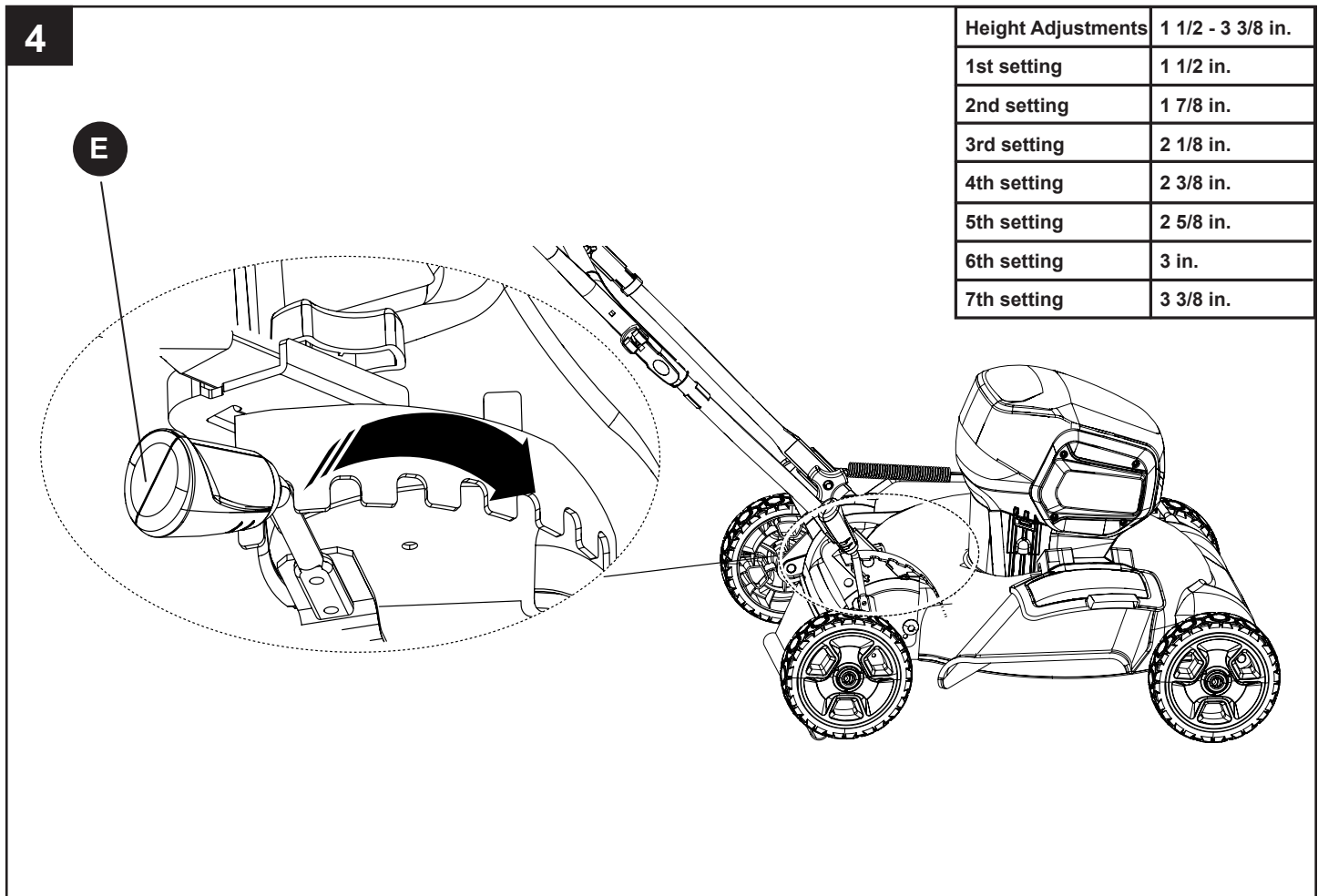
OPERATING INSTRUCTIONS

4. Cutting height adjustment

When shipped, the wheels on the mower are set to a low-cutting position. Before using the mower for the first time, raise the cutting position to the height best suited for your lawn. The average lawn should be between 1-1/2 in. and 2 in. during cool months and between 2 in. and 3-1/2 in. during hot months.

To adjust the blade height:

- To raise the blade height, grasp the height adjustment lever (E) and move it toward the back of the mower.
- To lower the blade height, grasp the height adjustment lever (E) and move it toward the front of the mower.



OPERATING INSTRUCTIONS

Mowing tips

Note: A sharp blade will greatly enhance the performance of the mower, especially when cutting high grass. Be sure to check the blade and to sharpen it at least once per year, as described in the Care and Maintenance section.

- Verify that the lawn is free of stones, sticks, wires, and other objects that could damage the blades or the motor. These objects could be accidentally thrown by the mower in any direction, and could cause serious personal injury to the operator and to others. In order to prevent electric shock, do not operate the mower in damp or wet conditions.
- Do not mow in circles. Travel back and forth across the lawn.
- When cutting thick grass, reduce walking speed in order to allow for a more effective cut and a proper discharge of the clippings.
- For a healthy lawn, always cut off one-third or less of the total length of the grass. The average lawn should be approximately 1-1/2 to 2 inches long during cool months, and between 2 to 3-1/4 in. long during hot months. If there is growth, the lawn should be cut in the fall.

WARNING

If you strike a foreign object, stop the motor and remove the battery. Thoroughly inspect the mower for any damage. Repair any damage before operating the mower. Excessive vibration of the mower during operation is an indication of damage. Thoroughly inspect the mower and repair any damage before operating the mower.

CARE AND MAINTENANCE

Replacing the cutting blade

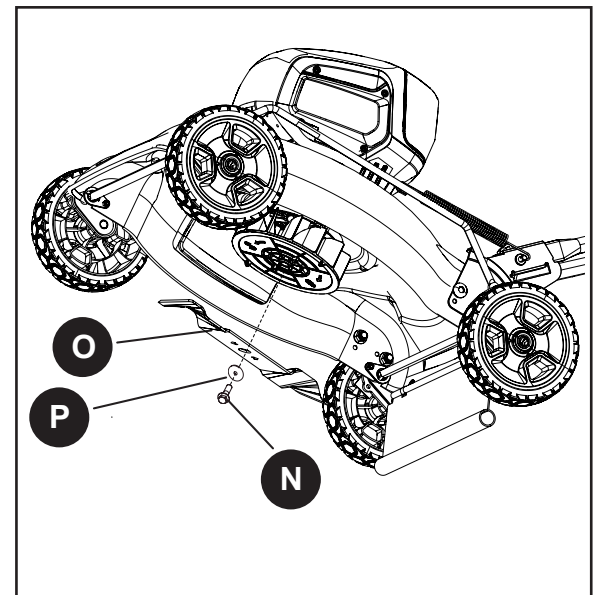
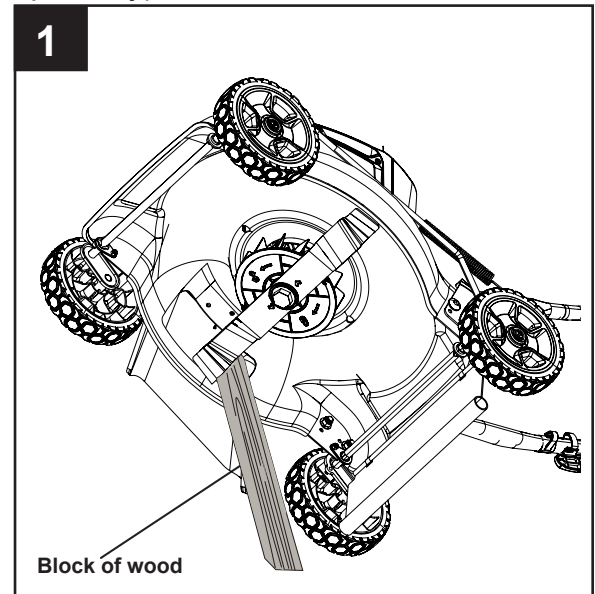
WARNING

Always protect your hands by wearing heavy gloves and/or wrapping the cutting edges with rags or other materials when performing any maintenance on the blades. Always remove the battery when servicing or transporting the mower.

Use only a Kobalt replacement blade (Item #2912903, sold separately).

- Remove battery.
- While wearing leather padded gloves, wedge a block of wood between the blade and the mower deck in order to prevent the blade from turning when the nut is being removed.
- Using an adjustable wrench or 17mm socket (not included), loosen the blade bolt (N), spacer (P) and remove the blade (O). Turn the bolt counterclockwise to loosen it and clockwise to tighten it.
- Remove the bolt and the blade.

- To re-install the blade, position the blade with the cutting edges toward the ground. Assemble the bolt as shown. Using a socket or wrench, turn the blade bolt "CLOCKWISE" in order to secure the blade.
- Recommended tightening torque: 24-27 ft-lbs.



Cleaning the mower

WARNING

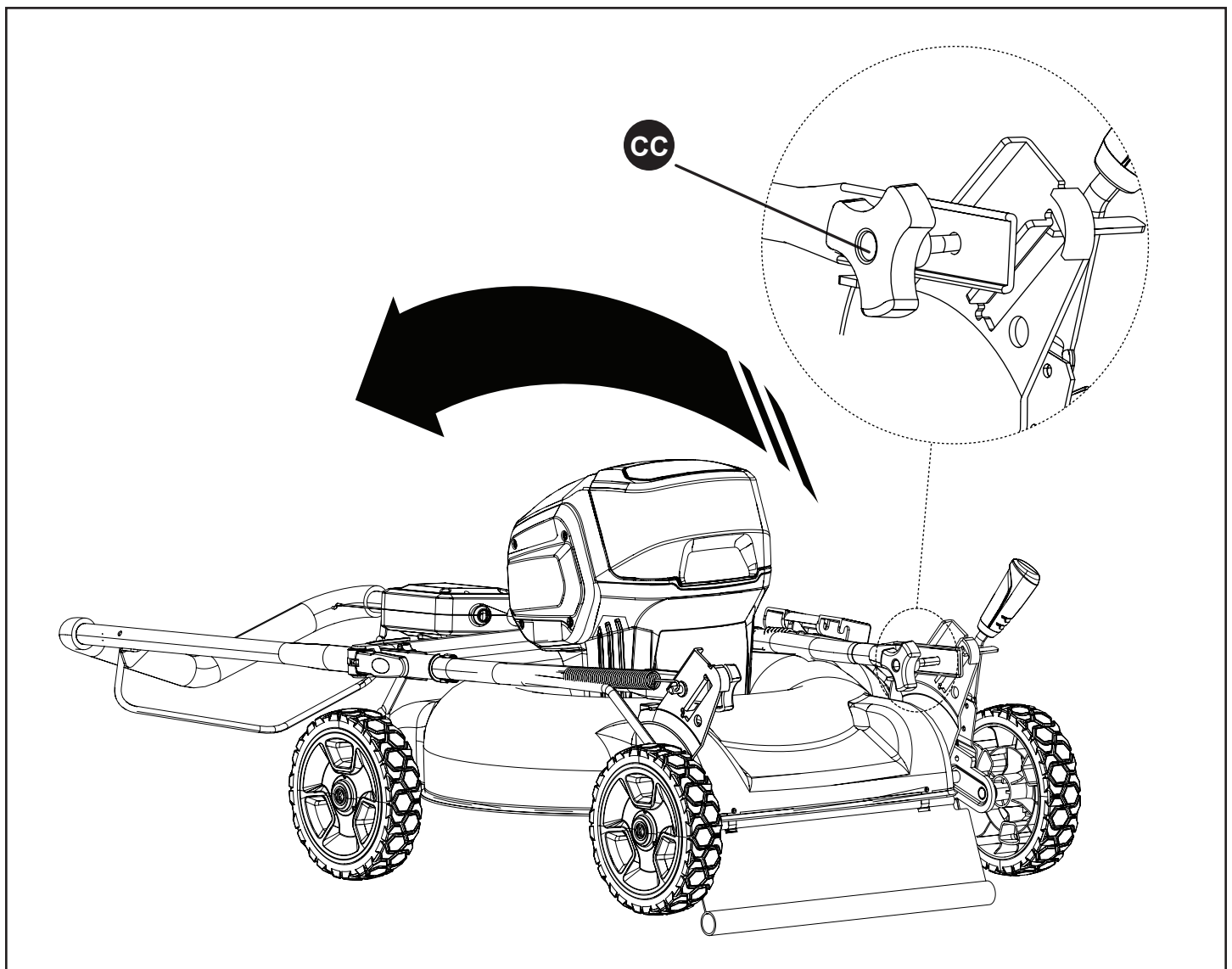
- In order to reduce the risk of electric shock, do not expose the mower to water. The underside of the mower deck should be cleaned after each use, because grass clippings, leaves, dirt, and other debris will accumulate, which will cause rust and corrosion.
- Remove any build-up of grass and leaves on or around the motor cover (do not use water). Occasionally wipe the mower clean with a dry cloth. If debris builds up on the underside of the mower during use, stop the motor, remove the battery, and then tilt the mower on its side, and scrape it clean using an appropriate tool.

CARE AND MAINTENANCE

Storing The Mower

The following steps should be taken in order to prepare the lawn mower for storage.

- Clean the mower as described in the previous section.
- Inspect the blade and replace it or sharpen it, if required (refer to the Replacing the cutting blade section).
- Store the mower in a dry, clean location. Do not store it next to corrosive materials, such as fertilizer or rock salt.
- Store the mower indoors, in a cool, dry place, out of the reach of children. Do not cover the lawn mower with a solid plastic sheet. Plastic coverings trap moisture around the mower, which causes rust and corrosion.
- The handle may be folded away completely for storage following the steps below:
 - Loosen the lower handle knobs (CC) at both sides;
 - Push inward the lower handle ends to break free from the brackets;
 - Fold down the handle for storage.
- Remove the battery and store it in a cool dry location.



CARE AND MAINTENANCE

Service

Servicing requires extreme care and knowledge and should be performed only by a qualified service technician. For service, it is suggested you return the product to your nearest AUTHORIZED SERVICE CENTER for repair. When servicing, use only identical replacement parts.

WARNING

- When servicing the mower, use only identical replacement parts that are available from the manufacturer. In order to obtain replacement parts, call the toll-free helpline, at 1-888-356-2258. The use of parts that do not meet the original equipment specifications may lead to improper performance, and may compromise safety.
- Before cleaning, repairing, or inspecting; verify that the blade and all moving parts have come to a complete stop. Remove the battery when making any adjustments or when any of the four wheels must be lifted off the ground.
- Keep the handles dry, clean, and free of oil and grease.
- In order to reduce the risk of fire, keep the motor free of grass, leaves, and debris build-up.
- Check the blade and motor mounting bolts for proper tightness frequently. Visually inspect blade for damage (e.g., bent, cracked, or worn).
- For best and safest performance, maintain the mower with care. Keep the mower blade sharp and clean. Mower blades are sharp and can cut. Wrap the blades or wear gloves, and use extra caution when servicing.
- Keep all nuts, bolts, and screws tight in order to be sure that the equipment is in safe working condition.
- Never tamper with safety devices. Check them regularly for proper operation.
- After striking a foreign object, stop the motor. Thoroughly inspect the mower for any damage. Repair any damage before operating the mower.
- The grass catcher components, discharge cover, and trail shield are subject to wear and damage, which could expose moving parts or allow objects to be thrown. As a safety precaution, check these components frequently, and immediately replace any parts that show signs of wear, or that are cracked or broken. Use original equipment manufacturer's (OEM) parts only, as listed in this manual.
- When it is not in use, store the mower indoors in a dry area, and out of the reach of children.

WARNING

Always remove battery when servicing or transporting the mower.

TROUBLESHOOTING

If you still have questions or an unresolved issue after going through this troubleshooting guide, or just want to speak to a Kobalt product expert, please call our Kobalt customer service department at 1-888-356-2258.

PROBLEM	POSSIBLE CAUSE	CORRECTIVE ACTION
The mower does not start.	<ol style="list-style-type: none"> 1. The battery is not charged. 2. The switch is defective. 3. Grass jammed at blade. 4. The battery is not inserted all the way in the mower. 4a. Battery may need replacement. 	<ol style="list-style-type: none"> 1. Charge the battery. 2. Replace the switch. 3. Remove battery; check under deck for jams or built up grass. 4. Insert the battery until it clicks. 4a. Call 1-888-356-2258.
The mower cuts the grass unevenly.	<ol style="list-style-type: none"> 1. The lawn is rough or uneven. 2. The cutting height is not set properly. 	<ol style="list-style-type: none"> 1. Check the mowing area. 2. Move the wheels to a higher setting.
The mower is hard to push.	<ol style="list-style-type: none"> 1. The grass is too tall, or the cutting height is too low. 2. The rear of the mower housing and the blade are dragging in thick grass. 	<ol style="list-style-type: none"> 1. Raise the cutting height.
The mower vibrates at higher speed.	<ol style="list-style-type: none"> 1. The motor shaft is bent. 2. The blade is unbalanced. 	<ol style="list-style-type: none"> 1. Stop the motor, disconnect the mower from the power source, and inspect it for damage. Repair the mower before restarting. If the vibration persists, call 1-888-356-2258. 2. Call 1-888-356-2258.
Mower turns off during mowing.	<ol style="list-style-type: none"> 1. The battery is not charged. 2. Grass or debris is jammed between the blade and deck. 3. Cutting height is set too low. 4. Operating temperature of the mower is too high. 	<ol style="list-style-type: none"> 1. Charge the battery. 2. Remove battery; check under deck for jams. 3. Increase the cutting height. 4. Move the mower to a cool, dry location. Let rest for 30 minutes.

WARRANTY

5-YEAR LIMITED WARRANTY

This Kobalt 40V 19 in. cordless lawn mower is warranted to the original purchaser from the original purchase date for five (5) years subject to the warranty coverage described herein.

This Kobalt 40V 19 in. lawn mower is warranted for the original user to be free from defects in material and workmanship.

If you believe that the Kobalt 40V 19 in. cordless lawn mower is defective at any time during the specified warranty period, simply call our Warranty service (1-888-356-2258) along with proof of purchase.

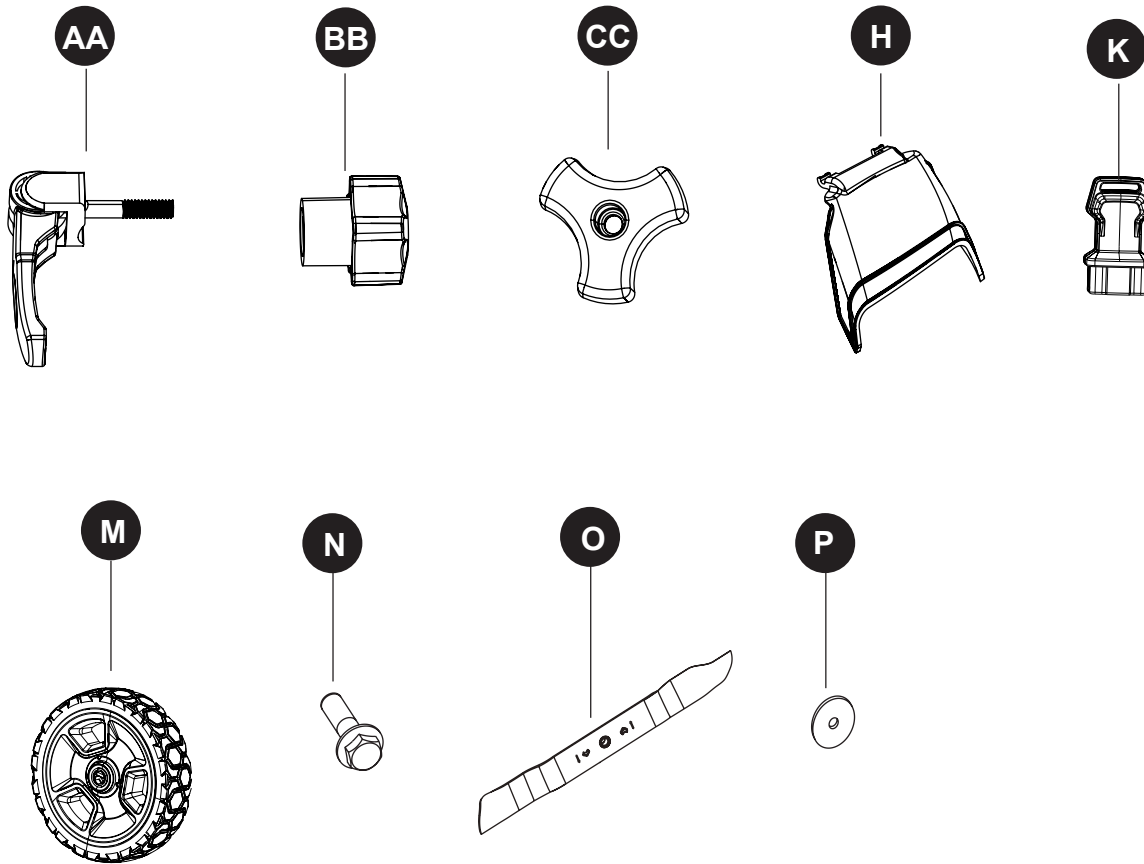
This warranty is void if: defects in materials or workmanship or damages result from repairs or alterations which have been made or attempted by others or the unauthorized use of nonconforming parts; the damage is due to normal wear, damage is due to abuse (including overloading of the tool beyond capacity), improper maintenance, neglect or accident; or the damage is due to the use of the tool after partial failure or use with improper accessories or unauthorized repair or alteration.

This warranty excludes replacement blades.

This warranty gives you specific legal rights, and you may also have other rights that vary from state to state.

REPLACEMENT PARTS LIST

For replacement parts, call our customer service department at 1-888-356-2258.



PART	DESCRIPTION	PART #
AA	Cam lock bolt	3110137-2
BB	Upper handle knob	341151161
CC	Lower handle knob	341291179
H	Side discharge chute	3410637
K	Safety key	311191555
M	Wheel	341061161
N	Blade bolt	322041555
O	Blade	C3200582-00
P	Spacer	333021527

KOBALT™



ARTÍCULO#1438125

PODADORA DE 48,26 CM Y 40 VOLTIOS

MODELO # KM 4040-06

Español p.25

ADJUNTE SU RECIBO AQUÍ

Número de serie _____ Fecha de compra _____



¿Preguntas, problemas, piezas faltantes? Antes de volver a la tienda, llame a nuestro departamento de servicio al cliente al 1-888-3KOBALT (1-888-356-2258), de lunes a viernes de 8 a.m. a 8 p.m. (hora del este).

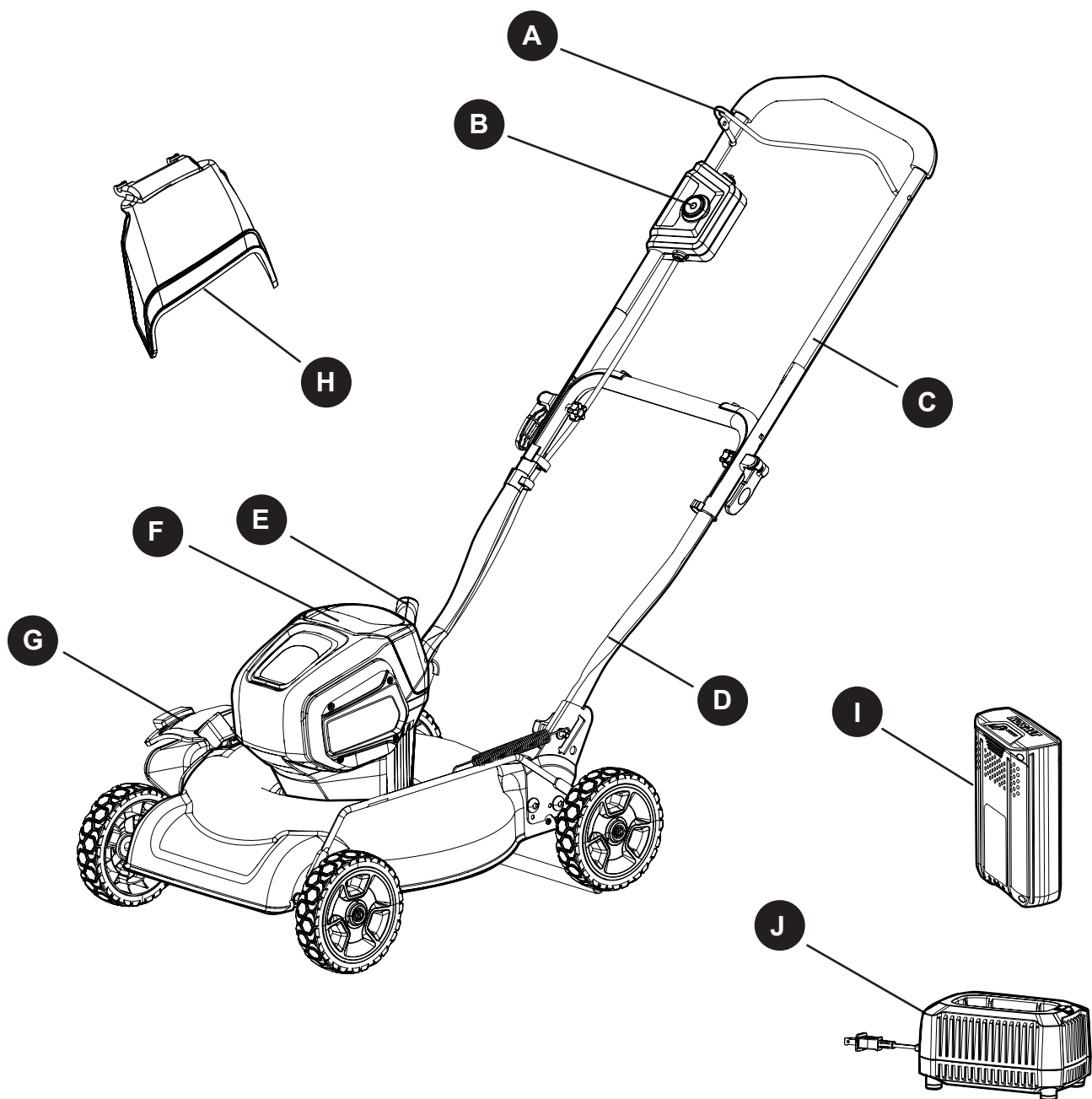
ÍNDICE

Especificaciones del producto	26
Contenido del paquete.....	27
Aditamentos	28
Símbolos	29
Información de seguridad	31
Preparación.....	37
Instrucciones para el ensamblaje.....	37
Instrucciones de uso.....	40
Cuidado y mantenimiento	43
Detección de problemas	46
Garantía	47
Lista de piezas de repuesto	48

ESPECIFICACIONES DEL PRODUCTO

SPECIFICATIONS	
Tipo de batería	Iones de litio de 40 voltios
Tiempo de carga	120 minutos, para la batería de 40 voltios y 4 Ah
Velocidad sin carga	3,500 RPM
Ajustes de altura	3,9 cm - 8,55 cm
Funciones	2 en 1, descarga lateral / compuesto orgánico
Peso de la unidad (sin batería)	37,8 lbs. (17,15 kg)

CONTENIDO DEL PAQUETE

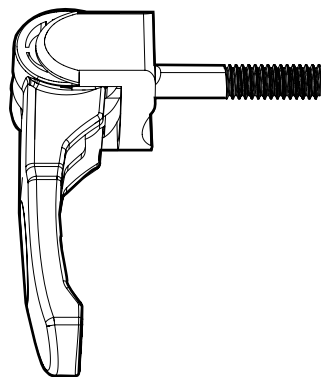


PIEZA	DESCRIPCIÓN	CANTIDAD
A	Palanca de agarre	1
B	Botón del interruptor de seguridad	1
C	Manija superior	1
D	Manija inferior	1
E	Palanca para ajuste de altura	1

PIEZA	DESCRIPCIÓN	CANTIDAD
F	Tapa de la batería	1
G	Cubierta para la descarga lateral	1
H	Conducto para descarga lateral	1
I	Batería	1
J	Cargador	1

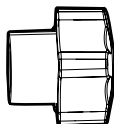
ADITAMIENTOS (no se muestran en el tamaño real)

AA



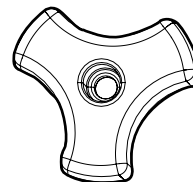
Cerrojos de leva superiores
Cantidad: 2

BB



Perillas de la manija
Cantidad: 2













CC



Perilla de la manija
Cantidad: 2




SÍMBOLOS

Algunos de los siguientes símbolos pueden ser usados en este producto. Obsérvelos y aprenda su significado. La interpretación correcta de estos símbolos permite una operación mejor y más segura.


SÍMBOLOS	DESIGNACIÓN	EXPLICACIÓN
V	Voltios	Voltaje
A	Amperios	Corriente
Hz	Hercios	Frecuencia (ciclos por segundo)
W	Vatios	Potencia
min	Minutos	Tiempo
	Corriente alterna	Tipo de corriente
	Corriente continua	Tipo o característica de corriente
no	Velocidad sin carga	Velocidad de giro al no haber carga
	Fabricación Clase II	Fabricación con doble aislamiento
/min	Por minuto	Revoluciones, carreras, velocidad superficial
	Alerta de seguridad	Precauciones para su seguridad.
	Alerta de condiciones de humedad	No exponga la unidad a la lluvia ni la use en lugares húmedos.
	Lea el manual del operador	Para reducir el riesgo de lesiones, el usuario debe leer y comprender el manual del usuario antes de usar este producto.
	Protección ocular	Siempre póngase protección ocular con la marca de cumplimiento de la norma ANSI Z87.1.
	Mantenga las manos y los pies alejados	Mantenga las manos y los pies alejados de las cuchillas y del área de corte.
	No extenderse	No extienda las manos o los pies por debajo de la cubierta de la podadora.
	No utilizar sobre pendientes	No la use en inclinaciones de más de 15°. Cuando pade en una pendiente, trabaje en dirección transversal, no lo haga nunca hacia arriba o hacia abajo.
	Mantenga alejadas a las personas presentes	Mantenga a los circunstantes a una distancia mínima de 30,48 m (100 pies).
	Riesgo de rebote	Tenga cuidado para que los espectadores que puedan estar cerca no resulten heridos por objetos extraños que puedan salir despedidos de la podadora.

SÍMBOLOS

Las siguientes palabras de señalización y sus significados tienen el objeto de explicar los niveles de riesgo relacionados con este producto.

SÍMBOLO	SEÑAL	SIGNIFICADO
	PELIGRO	Indica una situación de peligro inminente que, si no es prevenida, causará la muerte o lesiones severas.
	ADVERTENCIA	Indica una situación de peligro potencial que, si no es prevenida, podría causar la muerte o lesiones severas.
	PRECAUCIÓN	Indica una situación de peligro potencial que, si no es prevenida, puede causar lesiones menores o moderadas.
	PRECAUCIÓN	(Sin el símbolo de alerta de seguridad) Indica una situación que puede causar daños materiales.

ADVERTENCIA

- Para evitar lesiones corporales serias, no intente utilizar este producto sin haber leído y comprendido totalmente el manual del operador. Si no comprende los avisos de advertencia y las instrucciones del manual del operador, no utilice este producto. Llame al departamento de atención al consumidor 1-888-356-2258 y le brindaremos asistencia.
-  Cualquier producto en funcionamiento puede lanzar objetos hacia los ojos, lo cual puede causar serios daños a los mismos. Antes de iniciar la operación de herramientas de corriente, siempre utilice gafas de seguridad, gafas de seguridad con protección lateral, y en la medida en que sea necesario, un protector para toda la cara. Se recomienda una máscara de seguridad de visión amplia sobre los lentes o las gafas de seguridad estándar con protección lateral. Siempre póngase protección ocular con la marca de cumplimiento de la norma ANSI Z87.1.

GUARDAR ESTAS INSTRUCCIONES



INFORMACIÓN DE SEGURIDAD

NORMAS GENERALES DE SEGURIDAD LEA ATENTAMENTE LAS INSTRUCCIONES



ADVERTENCIA

- Este símbolo indica instrucciones importantes de seguridad. Si no se siguen estas instrucciones, la seguridad o propiedad personal del operador y otras personas podrían verse en peligro. Lea y comprenda todas las instrucciones en este manual antes de intentar usar la podadora. El incumplimiento de estas instrucciones podría ocasionar lesiones personales.
- Al utilizar podadoras de césped eléctricas, se debe siempre obedecer las precauciones básicas de seguridad para reducir los riesgos de incendio, choques eléctricos y lesiones personales.
- Solo aquellas personas que leyeron, comprendieron y que seguirán las advertencias e instrucciones en este manual y en la podadora deben utilizarla.



PELIGRO

Esta podadora se diseñó para funcionar de acuerdo con las normas de uso seguro incluidas en este manual. Como sucede con cualquier tipo de equipo eléctrico, un descuido o error del operador pueden ocasionar lesiones graves. Esta podadora puede amputar partes del cuerpo y arrojar objetos. El incumplimiento de las siguientes normas de seguridad puede resultar en lesiones graves o la muerte. Cuando utilice podadoras eléctricas, tome siempre precauciones de seguridad básicas para reducir el riesgo de incendios, descargas eléctricas y lesiones personales.

- Lea cuidadosamente todas las instrucciones en la máquina y en el manual antes de intentar ensamblar y operar la podadora. Guarde este manual en un lugar seguro para futuras referencias y para consultarlo regularmente.
- Familiarícese con todos los controles y su correcto funcionamiento. Sepa cómo detener la podadora y desactivar la alimentación ante una emergencia.
- Para evitar el contacto con la cuchilla o lesiones ocasionadas por un objeto lanzado, permanezca en la zona de operación detrás de las manijas y mantenga a niños y transeúntes a al menos 30,48 m (100 pies) de distancia de la podadora si está funcionando. Detenga el motor de inmediato si alguien ingresa al área de trabajo.
- Inspeccione minuciosamente el área donde se utilizará la podadora. Elimine piedras, palos, cables, juguetes y otros objetos con los que alguien se pueda tropezar o que la cuchilla pueda lanzar. Los objetos que lance la podadora pueden ocasionar lesiones personales graves.
- Establezca su patrón de poda de tal manera que evite descargar material del lado de calles, aceras, transeúntes, etc. No descargue material contra una pared u obstrucción. Esto podría hacer que el material descargado rebote contra el operador.
- Siempre use protección ocular adecuada para protegerse los ojos cuando esté usando la podadora o realizando algún ajuste o reparación. Los objetos lanzados por la podadora que rebotan pueden ocasionar lesiones oculares graves.
- Siempre utilice una máscara facial o una máscara para polvo si usa la podadora en condiciones de polvo.
- Use la ropa adecuada. No use ropa holgada ni joyas que puedan quedar atrapadas en las piezas en movimiento. Se recomienda el uso de guantes de protección y calzado de seguridad.



INFORMACIÓN DE SEGURIDAD

- Muchas lesiones ocurren como resultado de pasar la podadora sobre los pies durante una caída provocada por resbalones o tropiezos. No use la podadora con pies descalzos ni con sandalias o zapatos livianos (de lona, por ejemplo). No se sostenga de la podadora si se está cayendo. Suelte la manija inmediatamente
- Nunca tire hacia usted la podadora mientras camina. Si debe retroceder la podadora para evitar una pared u obstáculo, mire primero abajo y atrás para evitar tropezarse y luego siga estos pasos:
 - Aléjese de la podadora hasta estirar completamente los brazos.
 - Asegúrese de estar bien equilibrado.
 - Tire la podadora lentamente hacia usted.
- No use la podadora en tareas que no sean para las que fue diseñada. No fuerce la podadora.
- No use la podadora bajo los efectos del alcohol o de drogas.
- Manténgase alerta: no use la podadora si está cansado. Preste atención a sus acciones. Use el sentido común.
- No ponga las manos ni los pies cerca de piezas giratorias o debajo de la plataforma de corte. El contacto con las cuchillas puede producir la amputación de manos y pies.
- No intente ajustar las ruedas o la altura de corte con el motor en funcionamiento.
- Evite condiciones peligrosas. No use la máquina bajo la lluvia ni en césped mojado o húmedo.
- Corte el césped solamente con luz de día o una buena luz artificial. No apresure un trabajo de poda.
- Detenga la cuchilla cuando cruce entradas de gravilla, senderos o caminos.
- Si la máquina comenzara a vibrar excesivamente, detenga el motor y busque la causa de inmediato. Por lo general, la vibración advierte un problema.
- Apague el motor y espere a que la cuchilla se detenga completamente antes de retirar el colector de césped o desobstruir el ducto. La cuchilla continúa girando por unos minutos después de que el motor se ha apagado. No coloque ninguna parte del cuerpo en el área de la cuchilla hasta estar seguro de que ha dejado de girar.
- Nunca use la podadora sin las guardas apropiadas, cubierta de descarga, colector de césped, control del motor y la cuchilla u otros dispositivos de seguridad en su lugar y en funcionamiento. No use la podadora si los dispositivos de seguridad están dañados, ya que esto puede ocasionar lesiones.
- No fuerce la podadora. Realizará un trabajo mejor y más seguro a la velocidad para la que ha sido diseñada.
- Guarde la podadora que no use en el interior. Cuando no está en uso, la podadora debe guardarse en un lugar interior seco, bajo llave, fuera del alcance de los niños.
- Haga mantenimiento a la podadora. Mantenga los bordes de corte afilados y limpios para que realicen un trabajo mejor y más seguro.
- Si la máquina golpea un objeto extraño, siga estos pasos:
 - Pare la podadora, suelte la palanca de control.
 - Quite la batería.
 - Verifique si hay algún daño.



INFORMACIÓN DE SEGURIDAD

- Repare cualquier daño antes de volver a poner en funcionamiento y utilizar la podadora.
- No cargue la podadora bajo la lluvia o en un lugar húmedo.
- Quite o desconecte la batería antes del mantenimiento, limpieza o retirada de material del cortacésped.
- Use solamente cuchillas de repuesto idénticas.
- No abra ni rompa la batería. Las baterías descompuestas pueden liberar electrolitos liberados son corrosivos que pueden causar daños en los ojos o la piel. Puede ser tóxico si se ingiere.
- Cuando se utilice bajo la luz directa del sol hay que mantenerlo apartado del agua y no exponerlo a la lluvia.
- Guardar en un lugar interior y no exponerlo a la lluvia ni al agua. Tampoco debe exponerse a la luz directa del sol.

SEGURIDAD DE LOS NIÑOS

Pueden ocurrir accidentes trágicos si el operador no está atento a la presencia de niños.

- Mantenga a los niños fuera del área de trabajo y bajo estricta vigilancia de un adulto responsable.
- No permita que niños menores de 14 años usen esta podadora. Los niños de 14 años o más deben leer y comprender las instrucciones de funcionamiento y las normas de seguridad en este manual, además de ser entrenados y supervisados por sus padres.
- Esté alerta y apague la podadora si un niño o cualquier otra persona ingresan al área de trabajo.
- Antes y mientras se está moviendo hacia atrás, mire hacia abajo y atrás y verifique que no haya niños.
- Tenga extremo cuidado cuando se acerque a esquinas ciegas, entradas de puertas, arbustos, árboles u otros objetos puedan bloquearle la vista de un niño que pudiera correr hacia la podadora.



ADVERTENCIA

- Para reducir en lo posible los riesgos de provocar daños o crear situaciones de peligro, nunca limpie la herramienta con una hidrolimpiadora o bajo el chorro de una manguera.
- Almacene únicamente la herramienta en interiores. Cuando vaya a limpiarlo o almacenar el cortacésped, asegúrese siempre de retirar el acumulador tanto de este como del cargador.

BATERÍA Y CARGADOR



PRECAUCIÓN

Use solamente baterías de repuesto de 80 voltios aprobadas por Kobalt, otras baterías pueden causar lesiones o daños a la podadora. Solo debe usarse con la baterías KB 440C-06, y con el cargador KRC 40-06.

REGLAS DE SEGURIDAD DE LA BATERÍA

- No se necesita conectar a una toma de corriente las herramientas de baterías; por lo tanto, siempre están en condiciones de funcionamiento. Esté consciente de los posibles peligros cuando no esté usando la herramienta de baterías o cuando esté cambiando los accesorios de la misma. Con el cumplimiento de esta regla se reduce el riesgo de una descarga eléctrica, incendio o lesión corporal seria.



INFORMACIÓN DE SEGURIDAD

- No coloque herramientas de baterías ni las baterías mismas cerca del fuego o del calor. De esta manera se reduce el riesgo de explosiones y de lesiones.
- No aplaste, deje caer o dañe la batería. Nunca utilice una batería o cargador que se ha caído, aplastado, recibido un golpe contundente o ha sido dañado(a) de alguna manera. Las baterías dañadas pueden sufrir explosiones. Deseche de inmediato toda batería que haya sufrido una caída o cualquier daño.
- Las baterías pueden explotar en presencia de una fuente de inflamación, como una luz guía. Para reducir el riesgo de lesiones corporales serias, nunca use un producto inalámbrico en presencia de llamas vivas. La explosión de una batería puede lanzar fragmentos y compuestos químicos. Si ha quedado expuesto a la explosión de una batería, lávese de inmediato con agua.
- No cargue ninguna batería en lugares mojados o húmedos. Con el cumplimiento de esta regla se reduce el riesgo de una descarga eléctrica. Para obtener resultados óptimos, debe cargarse la batería en un lugar donde la temperatura esté entre 6°C (43°F) y 40°C (104°F). No la guarde a la intemperie ni en el interior de vehículos.
- En condiciones extremas de uso o temperatura las baterías pueden emanar líquido. Si el líquido llega a tocarle la piel, lávese de inmediato con agua y jabón. Si le entra líquido en los ojos, láveselos con agua limpia por lo menos 10 minutos, y después busque de inmediato atención médica. Con el cumplimiento de esta regla se reduce el riesgo de lesiones corporales serias.
- Cuando no esté utilizándose el paquete de baterías, manténgalo lejos de otros objetos metálicos, como clips, monedas, llaves, clavos, tornillos o otros objetos metálicos, pequeños que puedan establecer conexión entre ambas terminales. Establecer una conexión directa entre las dos terminales de las baterías puede causar quemaduras o incendios.
- Siempre retire el paquete de baterías de la herramienta cuando esté ensamblando partes, realizando ajustes, limpiando o cuando ésta no esté en uso. Si retira el paquete de baterías, evitará arranques accidentales que podrían provocar lesiones graves.
- Siempre retire el paquete de baterías antes de guardar el dispositivo. Cuando la batería esté completamente cargada, desconecte el cargador del suministro de corriente y retire el paquete de baterías del cargador.
- Siempre póngase protección ocular con protección lateral con la marca de cumplimiento de la norma ANSI Z87.1. Si no cumple esta advertencia, los objetos que salen despedidos pueden producirle lesiones serias en los ojos.
- Mantenga el paquete de baterías seco, limpio y sin aceite ni grasa. Use siempre un paño limpio para limpiar. Nunca use líquido de frenos, gasolina, productos derivados del petróleo o solvente para limpiar el paquete de baterías.

CUIDADO ADECUADO DE LA BATERÍA

Almacenamiento fuera de temporada

Para obtener un periodo más largo de vida para las baterías, se sugiere seguir los siguientes pasos:

- Retire el paquete de baterías del cargador una vez cargado completamente y listo para usarse.

Para guardar el paquete de baterías más de 30 días:

- Guarde la batería donde la temperatura sea inferior a 27°C (80°F) y lejos de la humedad.
- Guarde el paquete de baterías cargado 30%-50%.
- Cargue la batería de manera normal, cada dos meses de almacenamiento.



INFORMACIÓN DE SEGURIDAD

REGLAS DE SEGURIDAD EL CARGADOR

- Cargue la batería en lugares secos exentos de la influencia del clima. No exponga la podadora ni el cargador a la lluvia. No realice la carga en lugares húmedos. Use el cargador de la batería en temperaturas de entre 6° y 40 °C (43° y 104°F). Cuando cargue la batería, use únicamente el cargador provisto por el fabricante para reducir el riesgo de descarga eléctrica.
- No use el cable de carga de forma incorrecta. Nunca use el cable para llevar el cargador. No desconecte el cargador del tomacorriente jalando el cable.
- No utilice un cargador dañado. Cambie los cables o el cargador de inmediato.
- Mantenga la podadora y el cargador alejados de agua, fuentes de calor (radiadores, calentadores, estufas, etc.), llamas y químicos. No incinere este producto ya que las baterías en su interior podrían explotar o sufrir fugas.
- Asegúrese de que el paquete de baterías se asegura en el cargador antes de utilizar.
- El paquete de baterías se siente un poco caliente al tocarse mientras está cargándose. Esto es normal y no indica ningún problema.
- No coloque el cargador ni el paquete de baterías en ningún área extremadamente calurosa o fría. Funcionan mejor a la temperatura normal del interior.
- Una vez cargadas completamente las baterías, desconecte el cargador del suministro de corriente y del paquete de baterías.



ADVERTENCIA

Al transportar o dar servicio a la unidad, quite siempre la batería.



ADVERTENCIA (PROPUESTA 65)

Algo del polvo provocado por las lijas, sierras, trituradoras y taladros eléctricos, y otras actividades de construcción Contiene químicos reconocidos como causantes de cáncer y defectos congénitos u otros daños en el aparato reproductivo. Algunos ejemplos de estos químicos son:

- plomo de pinturas con base de plomo,
- sílice cristalina de ladrillos, cemento y otros productos de mampostería
- arsénico y cromo de madera tratada con químicos.

El riesgo que corre a la exposición de estos químicos varía dependiendo de la frecuencia con que realiza estos tipos de trabajos. Para reducir la exposición a estos químicos: trabaje en un área bien ventilada y con el equipamiento de seguridad aprobado, como por ejemplo máscaras especialmente diseñadas para filtrar las partículas microscópicas.

SERVICIO

El servicio de la producto requiere extremo cuidado y conocimientos técnicos, por lo cual solo debe ser efectuado por un tecnico de servicio calificado. Para realizar el mantenimiento, le recomendamos llevar el producto al CENTRO DE SERVICIO AUTORIZADO más cercano para su reparación. Al realizar mantenimiento, utilice solo piezas de repuesto idénticas a las de fabricación.

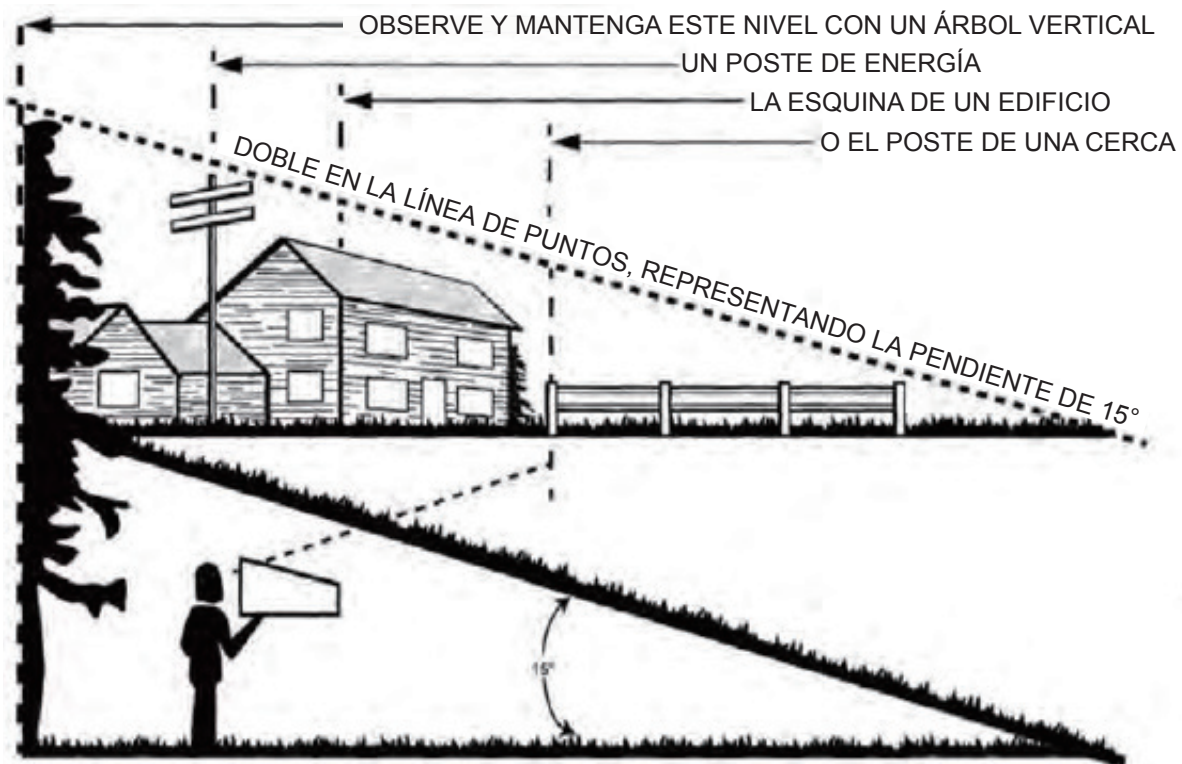
INFORMACIÓN DE SEGURIDAD

Medidor de pendientes

ADVERTENCIA

Las pendientes son un factor importante relacionado con accidentes de resbalones y caídas, que pueden resultar en lesiones graves. Utilizar la podadora sobre una pendiente requiere mayor precaución. Si se siente inseguro en una cuesta, no la podes. Para su seguridad, use el medidor de pendientes que se incluye como parte de este manual para medir la pendiente antes de operar la unidad en una zona inclinada.

- Podes atravesando las pendientes; no hacia arriba ni hacia abajo. Tenga mucha precaución al cambiar de dirección en una pendiente.
- Tenga cuidado con los pozos, surcos, piedras, objetos ocultos o montículos que puedan provocar que se resbale o tropiece. El césped alto puede ocultar obstáculos. Retire todos los objetos como piedras, ramas de árboles, etc., que puedan provocar tropezones o ser lanzados por la cuchilla.
- Siempre asegúrese de su postura. Un resbalón y caída puede provocar lesiones serias. Si siente que está perdiendo el equilibrio, suelte el mango de control del motor/cuchilla inmediatamente. La cuchilla para de girar en 3 segundos.
- No podes el pasto de precipicios, zanjas o terraplenes; podría perder la firmeza de la postura o el equilibrio.
- No podes el césped en pendientes con un ángulo mayor a 15° .
- No podes la grama húmeda o mojada. Un apoyo poco estable podría provocar resbalones.



ADVERTENCIA

No podes el césped en pendientes con un ángulo mayor a 15° (una elevación de aproximadamente 0,76 metros (2 1/2 pies) cada 3,04 metros (10 pies)). Podes transversalmente en el frente de unapendiente y nunca arriba abajo.

PREPARACIÓN

Antes de empezar a ensamblar del producto, asegúrese de tener todas las piezas. Compare las piezas con la lista del contenido del paquete y la lista de aditamentos. Si hay piezas faltantes o dañadas, no intente ensamblar el producto.

DESEMPAQUE

- Retire el producto y los accesorios de la caja cuidadosamente. Asegúrese de que estén incluidos todos los artículos que aparecen en la lista de empaque y los aditamentos.
- Inspeccione cuidadosamente la herramienta para asegurarse de que no haya sufrido ninguna rotura o daño durante el transporte.
- No deseche el material del envase hasta que haya inspeccionado cuidadosamente y haya utilizado el producto.
- Si hay piezas dañadas o faltantes, le suplicamos llamar al (1-888-356-2258) donde le brindaremos asistencia.

Tiempo aproximado de ensamblaje: 5 minutos

INSTRUCCIONES PARA EL ENSAMBLAJE

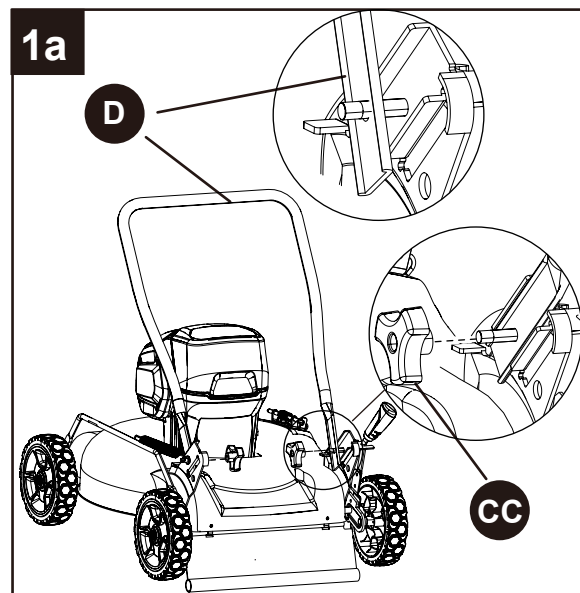
ADVERTENCIA

- En caso de que se dañe o falte alguna pieza, no utilice este producto hasta que se hayan reemplazado las piezas. El uso de un producto al que le faltan piezas o cuyas piezas están dañadas, puede producir lesiones personales graves.
- No intente modificar este producto o crear accesorios que no fueron recomendados para usar con este producto. Cualquier alteración o modificación se considerara como mal uso y podrá resultar en una condición peligrosa que conducirá a posibles lesiones personales serias.
- No inserte la llave hasta que el montaje sea completo y la unidad esté lista para cortar. Si la máquina está mal montada, podría arrancar accidentalmente y provocar graves daños personales.
- Para evitar un arranque accidental que podría causar lesiones corporales serias, retire siempre la batería del producto al ensamblar las piezas.
- No utilice nunca la podadora sin los dispositivos de seguridad adecuados en su lugar y en perfectas condiciones. Nunca use la podadora con dispositivos de seguridad dañados. La utilización de este producto con piezas dañadas o faltantes podrá causar lesiones personales serias.

INSTRUCCIONES PARA EL ENSAMBLAJE

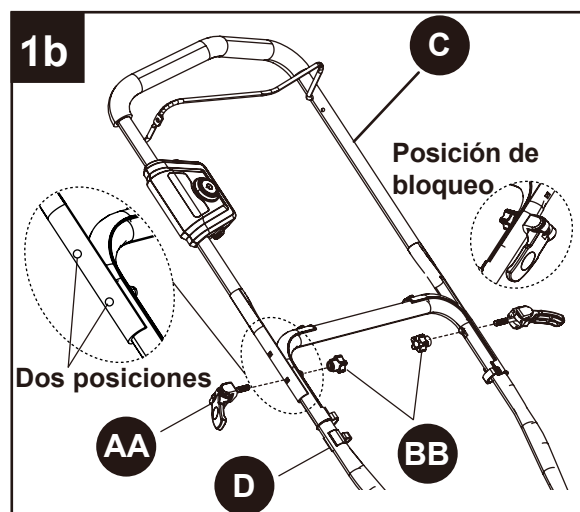
1a. Desplegar y ajustar el mango:

- Jale la manija inferior (D) hasta que quede firmemente asegurada en los soportes de ambos lados;
- Apriete las perillas de la manija (CC).



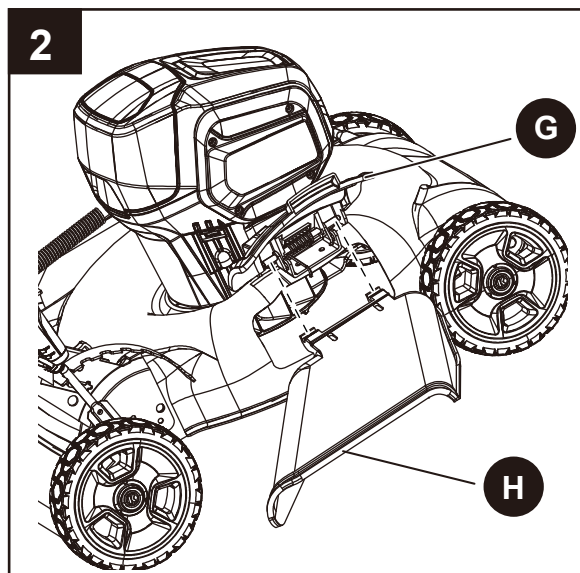
1b. Instalación de la manija superior:

- Alinee los orificios de montaje de la manija superior (C) y la manija inferior (D). Inserte los pernos del cerrojo de leva (AA) y asegúrelos con las perillas de la manija (BB). Repita para ambos lados.
- Hay dos posiciones disponibles para la instalación. Seleccione la posición cómoda para usted.



2. Instalación del deflector de descarga lateral

- Levante la cubierta para la descarga lateral (G).
- Alinee las ranuras del deflector de descarga lateral (H) con los pasadores de la cubierta para la descarga lateral (G).
- Baje el deflector hasta que los ganchos del piso de la podadora estén asegurados en las aberturas del deflector.
- Suelte el cubierta para la descarga lateral.
- Asegúrese de que el enchufe de trituración esté instalado para la descarga lateral para que funcione de manera correcta.



INSTRUCCIONES PARA EL ENSAMBLAJE

! ADVERTENCIA

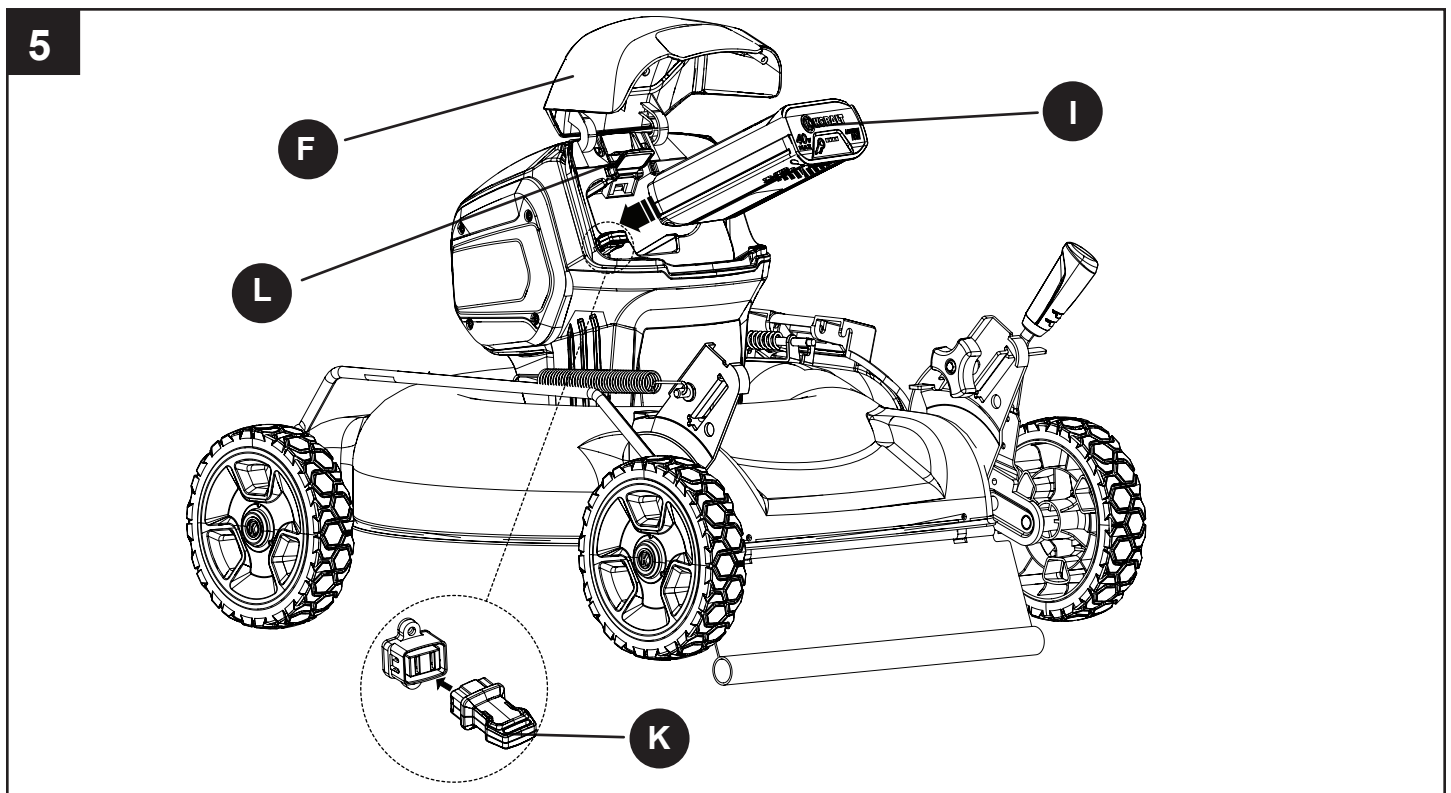
Siempre retire la batería de su herramienta cuando esté instalando piezas, haciendo ajustes, limpiando o cuando no esté en uso. La extracción de la batería evitará un arranque accidental que podría causar lesiones personales graves.

5a. Para instalar la batería

- Levante y sostenga la tapa de la batería (F).
- Coloque el paquete de baterías (I) en la podadora. Alinee las secciones del paquete de baterías con las ranuras del puerto de la batería.
- Asegúrese de que el botón de liberación de la batería (L) trabe en su lugar y que la batería esté completamente asentada y segura en la podadora antes de empezar la operación.
- Inserte la llave de seguridad (K).
- Si la máquina no se utilizará inmediatamente, no inserte la llave de seguridad.
- Cierre la tapa de la batería.

5b. Para retirar la batería

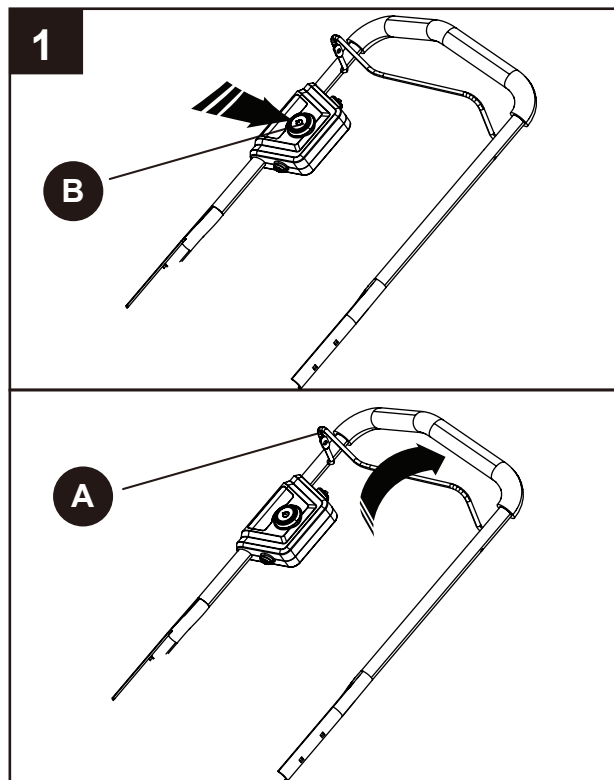
- Libere el interruptor de agarre para detener la máquina.
- Abra la puerta de la batería (F) para acceder al compartimento de la batería.
- Retire la llave de seguridad.
- Presione el botón de liberación de la batería. Esto hará que la batería se salga ligeramente de la herramienta.
- Retire la batería (I) de la podadora.



INSTRUCCIONES DE USO

1a. ENCENDIDO

1. Mantenga presionado el botón del interruptor de seguridad (B).
2. Jale la palanca de agarre (A) hacia arriba de la manija para arrancar la podadora y suelte el botón del interruptor de seguridad.



1b. APAGADO

- Libere la palanca.

2. Arranque progresivo

Esta podadora está equipada con una función de “arranque controlado”. Al arrancar inicialmente, la podadora tardará aproximadamente 3 segundos para llegar a la máxima velocidad. Si la podadora no se inicia al principio: retire la batería y revise debajo de la plataforma de la podadora para asegurarse de que no hay nada obstruyendo la cuchilla y de que esta puede girar libremente a mano. Incluso una pequeña cantidad de hierba en el arranque evitará que el “arranque progresivo” encienda la podadora.

ADVERTENCIA

No intente anular el funcionamiento del botón del interruptor de seguridad y la palanca de agarre.

ADVERTENCIA

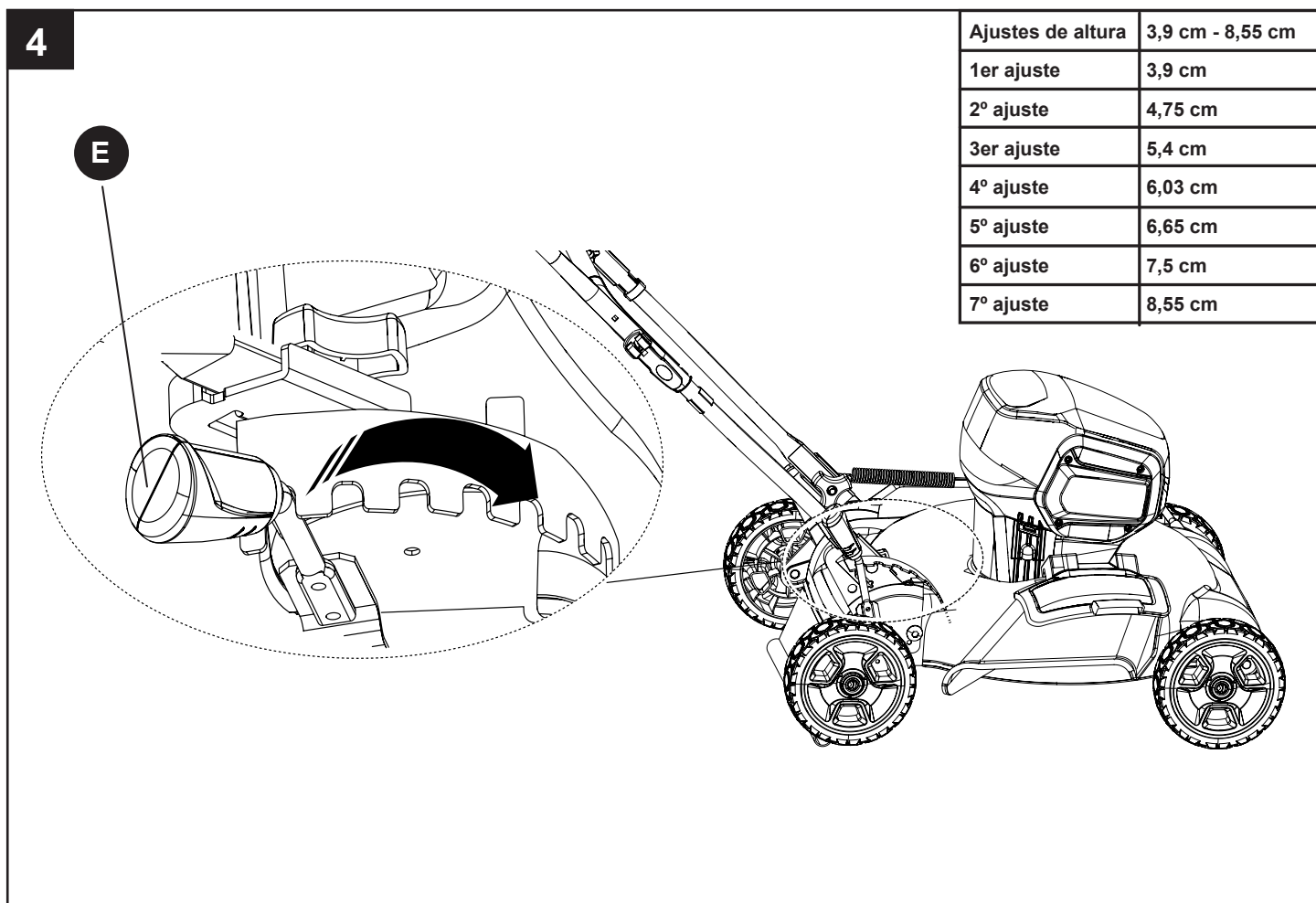
- La utilización de cualquier podadora de césped puede dar como resultado que varios objetos extraños sean arrojados a los ojos, lo cual puede causar daños oculares graves. Siempre use gafas de seguridad mientras conduce la podadora o cuando la ajuste o repare.
- Asegúrese de que las demás personas y mascotas permanezcan por lo menos a 15,24 m de distancia cuando la podadora está en uso.
- Quite todas las piedras, palos, cables, huesos y otros residuos que podrían ser arrojados por las cuchillas giratorias.

4. Regulación de la altura de corte

Cuando se envía, las ruedas de la podadora se encuentran en una posición de corte bajo. Antes de utilizar la podadora por primera vez, eleve la posición de corte a la altura más adecuada para su césped. El césped promedio debe estar entre 3,81 cm y 5,08 cm durante los meses fríos y entre 5,08 cm y 8,89 cm durante los meses calurosos.

Para ajustar la altura de la cuchilla:

- Para elevar la altura de la cuchilla, sujete la palanca de ajuste de altura (E) y muévala hacia la parte posterior de la podadora.
- Para bajar la altura de la cuchilla, sujete la palanca de ajuste de la altura (E) y muévala hacia la parte delantera de la podadora.



INSTRUCCIONES DE USO

Consejos para podar

NOTA: el rendimiento de la podadora será mucho mayor con una cuchilla filosa, especialmente si de corta césped alto. Asegúrese de revisar la cuchilla y afilarla al menos una vez al año, según se describe en la sección de Cuidado y mantenimiento.

- Verifique que no haya piedras, palos, cables ni otros objetos en el césped que puedan dañar las cuchillas o el motor. Es posible que la podadora arroje estos objetos accidentalmente y en cualquier dirección, algo que puede ocasionar lesiones personales graves al operador y a otras personas.
- Para evitar descargas eléctricas, no use la podadora en condiciones húmedas.
- No pade el césped en círculos. Muévase hacia adelante y atrás del césped.
- Cuando corte césped grueso, pase la podadora más lentamente para lograr un mejor corte y una adecuada descarga de recortes. Para tener un césped sano, siempre corte un tercio o menos de su altura total. El césped promedio debe tener aproximadamente de 3,81 cm a 12,7 cm de altura en meses fríos y más de 12,7 cm y 8,25 cm en meses cálidos. Si hay crecimiento, el césped debe cortarse en otoño.



ADVERTENCIA

Si usted golpea un objeto extranjero, para el motor y quita la batería. Inspeccione minuciosamente si la podadora se dañó. Repare los daños antes de usar la podadora. La vibración excesiva de la podadora durante su funcionamiento advierte un daño. Inspeccione minuciosamente la podadora y repare los daños antes de usarla.

CUIDADO Y MANTENIMIENTO

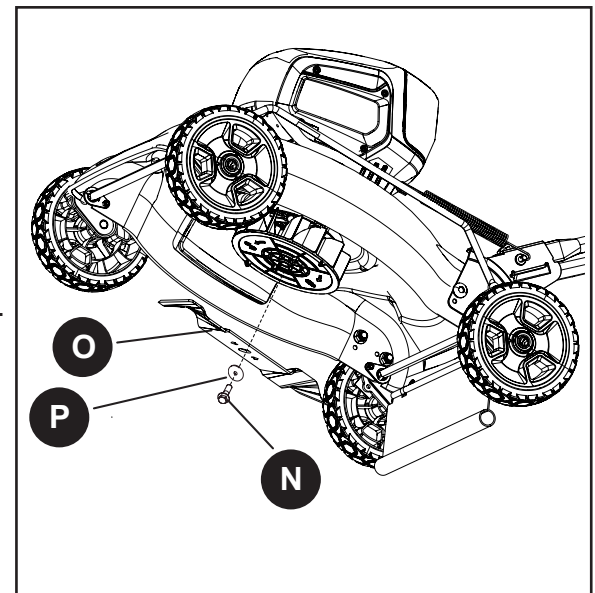
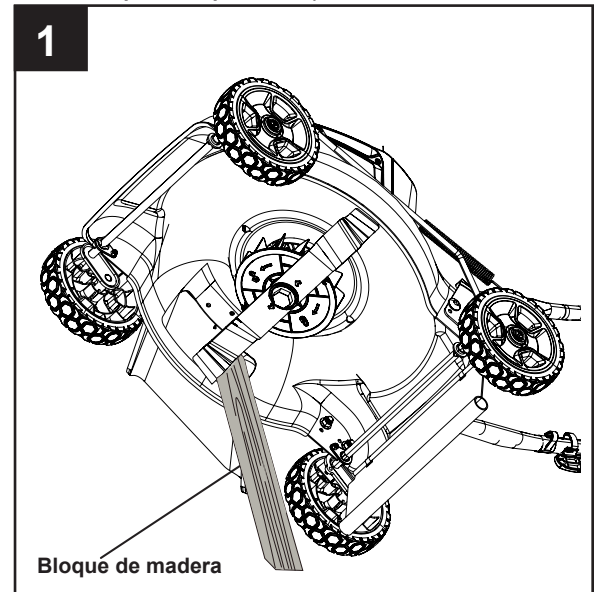
Cambio de la cuchilla de corte

ADVERTENCIA

Siempre proteja sus manos con guantes para trabajo pesado y/o envuelva los bordes de corte con paños u otros materiales cuando realice tareas de mantenimiento en las cuchillas. Siempre quite la batería cuando realice el mantenimiento o transporte la podadora.

Utilice solo hojas de repuesto: Kobalt (artículo #2912903 se venden por separado).

- Retire la batería.
- Mientras usa los guantes de cuero acolchado, acúñe un bloque de madera entre la cuchilla y la plataforma de corte con el fin de evitar que la cuchilla gire cuando se esté quitando el perno.
- Con ayuda de una llave inglesa ajustable o de un dado de 17 mm (no se incluye), afloje el perno de la hoja (N), el espaciador (P) y retire la hoja (O). Gire el perno en el sentido contrario de las manecillas del reloj y en el sentido de las manecillas del reloj para apretarlo.
- Retire la perilla y la cuchilla.
- Para volver a colocar la cuchilla, póngala con los bordes cortantes en dirección a la tierra. Ensamble la perilla como se muestra a continuación. Con un casquillo o una llave, gire la tuerca de la cuchilla “en la misma dirección que las manecillas del reloj” para asegurar la cuchilla.
- Ajuste de torque recomendado: 3,31 kgf-m a 3,73 kgf-m.



Limpieza de la podadora

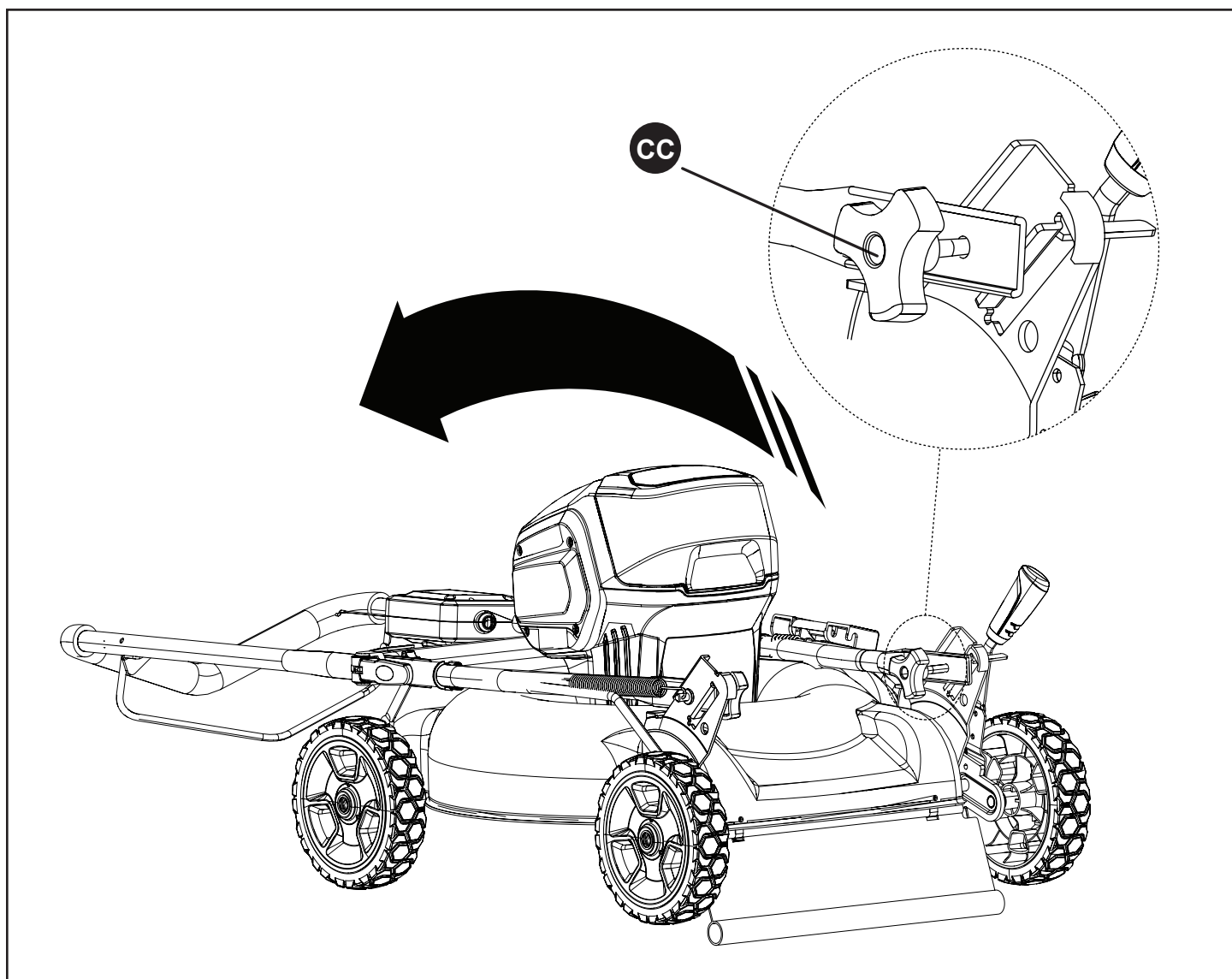
ADVERTENCIA

- Para reducir el riesgo de descarga eléctrica, no exponga la podadora al agua. Se debe limpiar el lado inferior de la plataforma de la podadora después de cada uso, ya que se acumulan recortes de césped, hojas, suciedad y otros desechos, y producen óxido y corrosión.
- Retire toda acumulación de césped y hojas en y alrededor de la cubierta del motor (no use agua). Limpie la podadora con un paño seco de vez en cuando. Si los desechos se acumulan en la parte baja de la podadora durante el uso, detenga el motor, retire la batería y luego incline la podadora y ráspela para limpiarla con la herramienta adecuada.

Almacenamiento de la podadora

Para preparar la podadora para su almacenamiento, se deben seguir los siguientes pasos.

- Limpie la podadora como se indicó en la sección anterior.
- Inspeccione la cuchilla y reemplácela o afílela, si se requiere (consulte la sección Reemplazo de la cuchilla).
- Guarde la podadora en un lugar seco y limpio. No la almacene cerca de materiales corrosivos, como fertilizantes o sal de roca.
- Guarde la podadora en el interior, en un lugar fresco y seco, fuera del alcance de los niños. No cubra la podadora con una cubierta de plástico sólido ya que el plástico atrapa la humedad alrededor de la podadora, lo que provoca el óxido y la corrosión.
- Siga los pasos a continuación para plegar por completo para su almacenaje:
 - Suelte las perillas de la manija inferior (CC) en ambos lados;
 - Presione hacia dentro los extremos de la manija inferior para liberar de los soportes;
 - Pliegue la manija para su almacenaje.
- Retire la batería y almacénela en una ubicación fresca y seca.



CUIDADO Y MANTENIMIENTO

SERVICIO

El servicio de la producto requiere extremo cuidado y conocimientos técnicos, por lo cual solo debe ser efectuado por un tecnico de servicio calificado. Si no comprende los avisos de advertencia y sugerimos llevarla al ESTABLECIMIENTO DE SERVICIO AUTORIZADO de su preferencia para que la reparen. Al dar servicio a la unidad, solo utilice piezas de repuesto idénticas.



ADVERTENCIA

- Cuando repare la podadora, utilice únicamente piezas de repuestos disponibles del fabricante. Para obtener piezas de repuesto, llame a la línea de ayuda gratuita al 1-888-356-2258. Si se utilizan piezas que no cumplen con las especificaciones del equipo original, es posible que el rendimiento sea inadecuado y se vea comprometida la seguridad.
- Antes de limpiar, reparar o inspeccionar la podadora, verifique que la cuchilla y todas las piezas con movimiento se hayan detenido por completo, y retire la llave. A fin de evitar arranques accidentales, retire la llave cuando la podadora no está siendo usada. Retire la batería cuando realice ajustes o cuando cualquiera de las cuatro ruedas tiene que levantarse del piso.
- Mantenga las manijas secas, limpias y sin aceite ni grasa.
- Para reducir el riesgo de incendio, mantenga el motor libre de acumulaciones de césped, hojas y desechos.
- A menudo, verifique que los pernos de montaje del motor y la cuchilla estén bien ajustados. Inspeccione visualmente si la cuchilla está dañada (es decir, si está doblada, agrietada o desgastada).
- Mantenga la podadora con cuidado para el mejor y más seguro funcionamiento. Mantenga la cuchilla afilada y limpia. Las cuchilla están afiladas y pueden cortar. Envuelva las cuchillas o use guantes. Realice las reparaciones con extremo cuidado.
- Mantenga tuercas, pernos y tornillos ajustados para asegurarse de que el equipo se encuentre en una condición de trabajo segura.
- No manipule los dispositivos de seguridad. Verifique su correcto funcionamiento regularmente.
- Si choca un objeto extraño, detenga el motor y cambie el pasador de seguridad. Inspeccione minuciosamente si la podadora se dañó. Repare los daños antes de usar la podadora.
- Los componentes de la podadora pueden desgastarse y dañarse, y esto a su vez puede exponer las piezas en movimiento y permitir que se arrojen objetos. Como una precaución de seguridad, revise frecuentemente los componentes y cambie aquellos que muestren signos de desgaste o daño.
- Cuando no esté en uso, guarde la podadora en un lugar seco bajo techo y fuera del alcance de los niños.



ADVERTENCIA

Al dar servicio o transportar la podadora quite siempre la batería.

SOLUCIÓN DE PROBLEMAS

Si continua teniendo dudas o algún otro asunto sin resolver tras haber consultado esta guía de resolución de problemas o simplemente desea hablar con un experto en productos Kobalt, llame al servicio de atención al cliente de Kobalt al 1-888-356-2258.

PROBLEMA	POSIBLE CAUSA	SOLUCIÓN
La podadora de césped no enciende.	<ol style="list-style-type: none"> 1. La batería no está cargada. 2. El interruptor está defectuoso. 3. La hierba está atascada en la cuchilla. 4. La batería no está insertada completamente en la podadora. 4a. La batería puede necesitar un reemplazo. 	<ol style="list-style-type: none"> 1. Cargue la batería. 2. Cambie el interruptor. 3. Retire la batería; revise debajo de la plataforma en busca de atascos o acumulación de césped. 4. Inserte la batería hasta que haga clic. 4a. Llame al 1-888-356-2258.
La podadora de césped corta el césped de manera desigual.	<ol style="list-style-type: none"> 1. El jardín es irregular o está desnivelado. 2. La altura de corte no está. 	<ol style="list-style-type: none"> 1. Revise el área de trabajo. 2. Mueva las ruedas a un nivel más alto.
La podadora de césped no tritura correctamente.	<ol style="list-style-type: none"> 1. Los recortes de hierba triturada y húmeda se pegan en la parte inferior de la cubierta. 2. Falta el adaptador para triturar y esparcir mantillo. 	<ol style="list-style-type: none"> 1. Espere hasta que se seque la hierba antes de podar. 2. Instale el adaptador para triturar y esparcir mantillo.
Es difícil de empujar la podadora de césped.	<ol style="list-style-type: none"> 1. La hierba es demasiado alta o la altura de corte es demasiado baja. 2. La parte posterior de la caja de la podadora y la cuchilla arrastran en la hierba espesa. 	<ol style="list-style-type: none"> 1. Eleve la altura de corte. 2. Vacíe la bolsa de ensacar la hierba para eliminar los recortes de césped.
La podadora vibra a una mayor velocidad.	<ol style="list-style-type: none"> 1. El eje del motor está doblado. 2. La cuchilla está desequilibrada. 	<ol style="list-style-type: none"> 1. Detenga el motor, desconecte la podadora de la fuente de alimentación y revise que no haya daños. Repare la podadora antes de reiniciarla. Si la vibración persiste, llame al 1-888-356-2258. 2. Llame al 1-888-356-2258.
La podadora se apaga mientras está funcionando.	<ol style="list-style-type: none"> 1. La batería no tiene carga. 2. Hay césped o residuos atascados entre la cuchilla y la cubierta. 3. La altura de corte está muy baja. 4. La temperatura de funcionamiento de la podadora es demasiado alta. 	<ol style="list-style-type: none"> 1. Cargue la batería. 2. Quite batería. Verifique bajo plataforma para asegurar que césped no sea atascado luego a la hoja. 3. Aumente la altura de corte. 4. Lleve la podadora a un lugar frío y seco. Déjelo reposar durante 30 minutos.

GARANTÍA

5 AÑOS DE GARANTÍA LIMITADA

Esta podadora inalámbrica autopropulsada Kobalt de 48,26 cm y de 40 V está garantizada para el comprador original desde la fecha de compra original durante cinco (5) años y está sujeta a la cobertura de garantía que se describe en el presente.

Esta podadora inalámbrica autopropulsada Kobalt de 48,26 cm y de 40 V tiene una garantía para el usuario original contra defectos en los materiales y la mano de obra.

Si cree que la podadora inalámbrica autopropulsada Kobalt de 48,26 cm y de 40 V presenta defectos en cualquier momento durante el periodo de garantía especificado, simplemente llame al Servicio de garantía al (1-888-356-2258) junto con una prueba de compra.

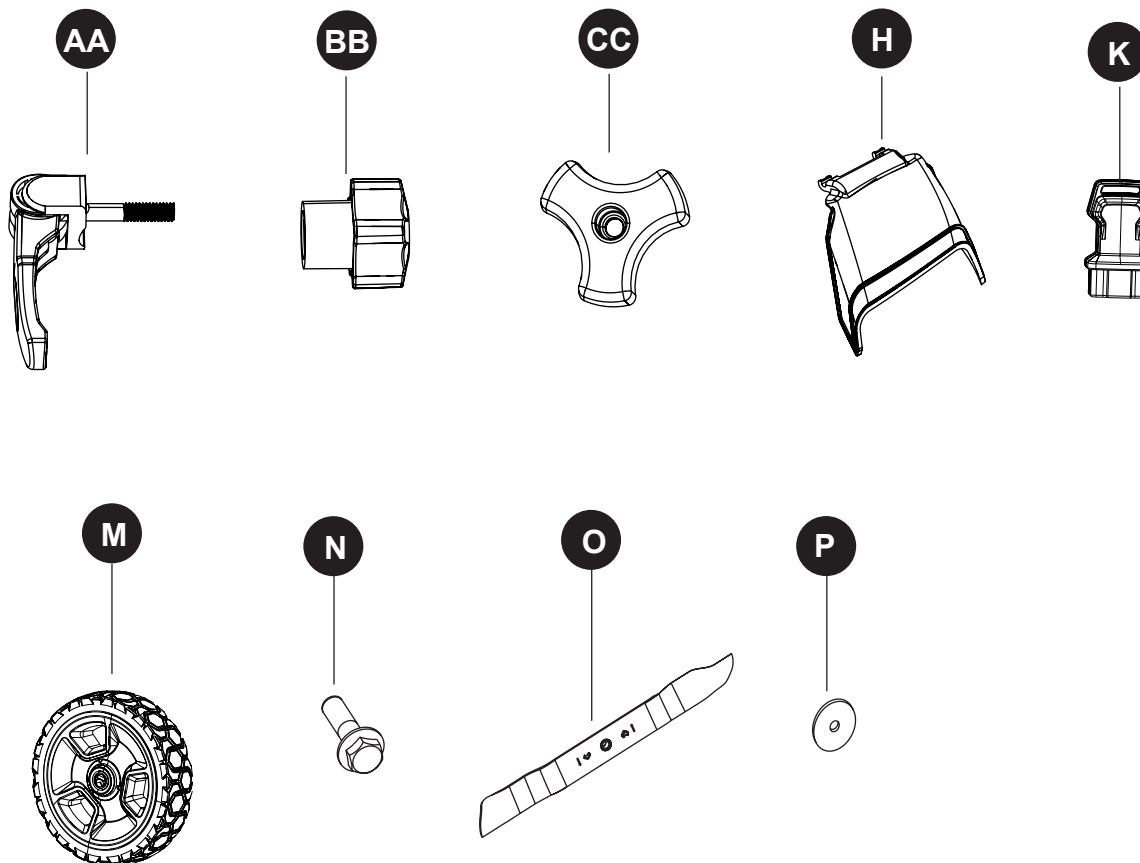
Esta garantía es nula si: los defectos en los materiales o la mano de obra o los daños han sido causados por reparaciones o modificaciones hechas o que se hayan intentado hacer por parte de terceros o el uso no autorizado de piezas incompatibles; el daño es debido al desgaste normal; el daño es debido al abuso (lo que incluye la sobrecarga de la herramienta por encima de su capacidad), mantenimiento inadecuado, negligencia o accidente; o el daño es debido al uso de la herramienta después de una falla parcial, el uso con accesorios inadecuados o reparaciones o alteraciones no autorizadas.

Esta garantía excluye el reemplazo de hojas y de bolsas para césped.

Esta garantía le otorga derechos legales específicos, pero podrías tener también otros derechos que varían según la provincia.

LISTA DE PIEZAS DE REPUESTO

Para encargar piezas de repuesto, llame a nuestro Departamento de Servicio al Cliente al 1-888-356-2258.



PIEZA	DESCRIPCIÓN	PIEZA #
AA	Cerrojos de leva superiores	3110137-2
BB	Perillas de la manija	341151161
CC	Perilla de la manija	341291179
H	Cubierta para la descarga lateral	3410637
K	Llave de seguridad	311191555
M	Rueda	341061161
N	Pemo	322041555
O	Lámina	C3200582-00
P	Espaciador	333021527