

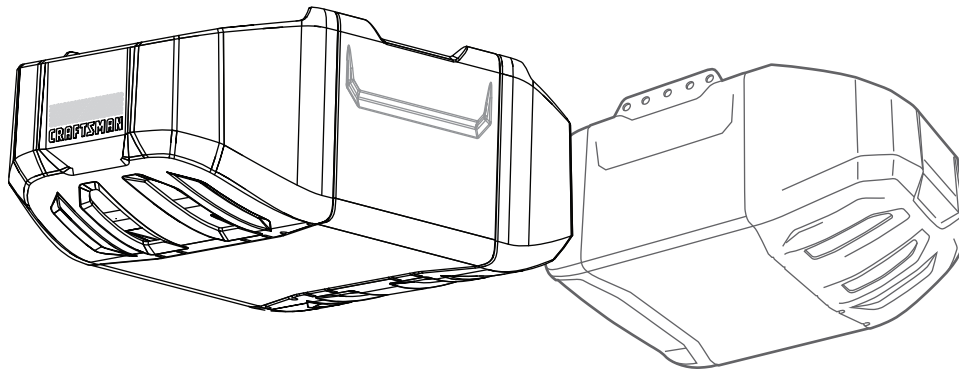
# Owner's Manual



## SMART GARAGE DOOR OPENER

For Residential Use Only

# MODELS CMXE0CG322, CMXE0CG572, CMXE0CG772, and CMXE0CG982



READ AND FOLLOW ALL SAFETY RULES AND OPERATING INSTRUCTIONS BEFORE FIRST USE OF THIS PRODUCT.

FASTEN THE MANUAL NEAR THE GARAGE DOOR AFTER INSTALLATION.

PERIODIC CHECKS OF THE OPENER ARE REQUIRED TO ENSURE SAFE OPERATION.

DO NOT INSTALL ON A ONE-PIECE DOOR IF USING DEVICES OR FEATURES PROVIDING UNATTENDED CLOSE.

UNATTENDED DEVICES AND FEATURES ARE TO BE USED ONLY WITH SECTIONAL DOORS. SEE PAGE 3.

WRITE DOWN THE CRAFTSMAN® SERIAL NUMBER LOCATED ON THE GARAGE DOOR OPENER:



# TABLE OF CONTENTS

<b>INTRODUCTION</b> .....	<b>3</b>	4 - Test the Protector System® .....	30
Safety Symbol Review and Signal Word Review .....	3	<b>BATTERY BACKUP Model CMXEOCG982</b> .....	<b>31</b>
Unattended Operation .....	3	Install the Battery .....	31
Preparing Your Garage Door .....	3	Test the Battery .....	31
Tools Needed .....	4	Charge the Battery .....	31
Test the Wi-Fi® Signal Strength in Your Garage .....	4	Battery Status LED .....	31
Planning .....	5	<b>myQ® SMARTPHONE CONTROL</b> .....	<b>32</b>
Carton Inventory .....	7	Connect With Your Smartphone .....	32
Hardware Inventory .....	8	<b>OPERATION</b> .....	<b>33</b>
<b>ASSEMBLY</b> .....	<b>9</b>	Important Safety Instructions .....	33
Assemble the Rail and Install the Trolley .....	9	Features .....	34
Fasten the Rail to the Motor Unit .....	9	Dual-Function Control Panel Model CMXEOCG572 .....	35
Install the Idler Pulley .....	10	Door Control Model CMXEOCG322 .....	35
Install the Belt .....	11	Motion Detecting Control Panel Models CMXEOCG772 and CMXEOCG982 .....	36
Tighten the Belt .....	11	Remote Control and Wireless Keypad .....	37
Install the Sprocket Cover .....	12	To Erase the Memory .....	37
<b>INSTALLATION</b> .....	<b>12</b>	To Open the Door Manually .....	38
Important Installation Instructions .....	12	The Remote Control Battery .....	38
Determine the Header Bracket Location .....	13	Care of Your Opener .....	38
Install the Header Bracket .....	14	<b>TROUBLESHOOTING</b> .....	<b>39</b>
Attach the Rail to the Header Bracket .....	15	<b>REPAIR PARTS</b> .....	<b>40</b>
Position the Opener .....	16	Rail Assembly Parts .....	40
Hang the Opener .....	17	Installation Parts .....	40
Install the Lights .....	18	Motor Unit Assembly Parts .....	41
Attach the Emergency Release Rope and Handle .....	18	<b>ACCESSORIES</b> .....	<b>43</b>
Fasten the Door Bracket .....	19	<b>WARRANTY</b> .....	<b>43</b>
Connect Door Arm to Trolley .....	21	<b>AUTOMATIC GARAGE DOOR OPENER SAFETY &amp; MAINTENANCE GUIDE</b> .....	<b>44</b>
Attach the Warning Labels .....	22		
Install the Door Control .....	23		
Install The Safety Reversal System .....	24		
Electrical Requirements .....	27		
Aligning the Safety Reversing Sensors .....	27		
<b>ADJUSTMENT</b> .....	<b>28</b>		
Introduction .....	28		
1 - Program the Travel .....	29		
2 - Automatic Force Set Up .....	29		
3 - Test the Safety Reversal System .....	30		

# INTRODUCTION

## SAFETY SYMBOL REVIEW AND SIGNAL WORD REVIEW

This garage door opener has been designed and tested to offer safe service provided it is installed, operated, maintained and tested in strict accordance with the instructions and warnings contained in this manual.

### **WARNING**

Mechanical


### **WARNING**

Electrical

### **CAUTION**

When you see these Safety Symbols and Signal Words on the following pages, they will alert you to the possibility of **serious injury or death** if you do not comply with the warnings that accompany them. The hazard may come from something mechanical or from electric shock. Read the warnings carefully.

When you see this Signal Word on the following pages, it will alert you to the possibility of damage to your garage door and/or the garage door opener if you do not comply with the cautionary statements that accompany it. Read them carefully.

 **WARNING:** This product can expose you to chemicals including lead, which are known to the State of California to cause cancer or birth defects or other reproductive harm. For more information go to [www.P65Warnings.ca.gov](http://www.P65Warnings.ca.gov)

## UNATTENDED OPERATION

The Timer-to-Close (TTC) feature and myQ<sup>®</sup> are examples of unattended close and are to be used **ONLY** with sectional doors. Any device or feature that allows the door to close without being in the line of sight of the door is considered unattended close. The Timer-to-Close (TTC) feature and any myQ<sup>®</sup> devices are to be used **ONLY** with sectional doors.

## PREPARING YOUR GARAGE DOOR

### **WARNING**

To prevent possible **SERIOUS INJURY** or **DEATH**:

- ALWAYS call a trained door systems technician if garage door binds, sticks, or is out of balance. An unbalanced garage door may NOT reverse when required.
- NEVER try to loosen, move or adjust garage door, door springs, cables, pulleys, brackets or their hardware, ALL of which are under **EXTREME** tension.
- Disable ALL locks and remove ALL ropes connected to garage door BEFORE installation and operating garage door opener to avoid entanglement.
- DO NOT install on a one-piece door if using devices or features providing unattended close. Unattended devices and features are to be used **ONLY** with sectional doors.

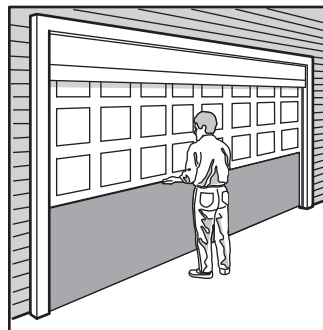
### **CAUTION**

To prevent damage to garage door and opener:

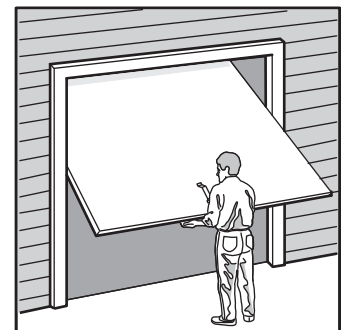
- ALWAYS disable locks BEFORE installing and operating the opener.
- **ONLY** operate garage door opener at 120V, 60 Hz to avoid malfunction and damage.

Before you begin:

1. Disable locks and remove any ropes connected to the garage door.
2. Lift the door halfway up. Release the door. If balanced, it should stay in place, supported entirely by its springs.
3. Raise and lower the door to check for binding or sticking. If your door binds, sticks, or is out of balance, call a trained door systems technician.
4. Check the seal on the bottom of the door. Any gap between the floor and the bottom of the door must not exceed 1/4" (6 mm). Otherwise, the safety reversal system may not work properly.
5. The opener should be installed above the center of the door. If there is a torsion spring or center bearing plate in the way of the header bracket, it may be installed within 4 feet (1.2 m) to the left or right of the door center. See page 13.



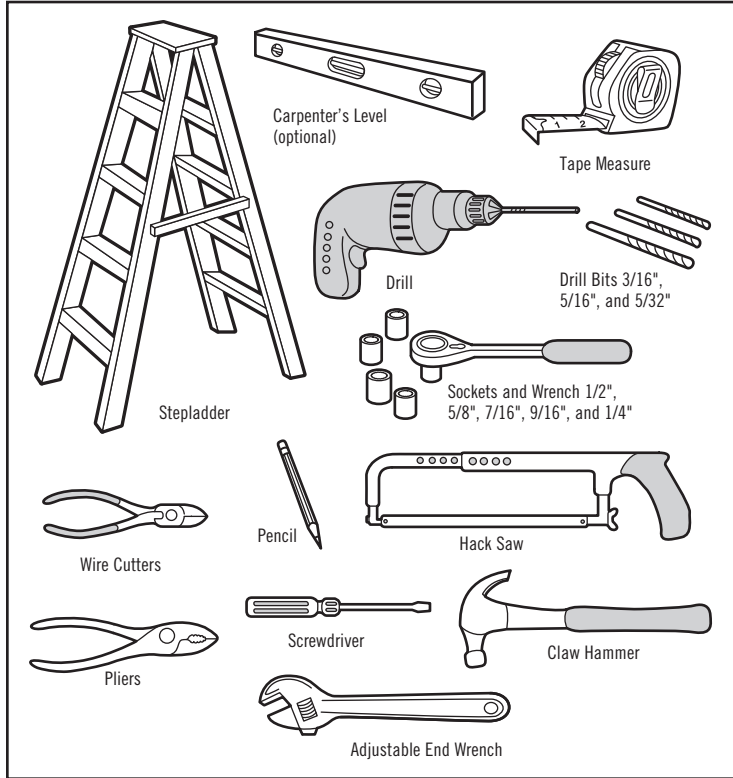
Sectional Door



One-Piece Door

## TOOLS NEEDED

During assembly, installation and adjustment of the opener, instructions will call for hand tools as illustrated below.



## TEST THE WI-FI® SIGNAL STRENGTH IN YOUR GARAGE

Monitor and control your garage door from anywhere using the myQ® App. You will need a router with Wi-Fi and a smartphone or other mobile device. Make sure your mobile device is connected to your Wi-Fi network. Hold your mobile device in the place where your garage door opener will be installed and check the Wi-Fi signal strength.



### Check Signal Strength. If you see:



**Wi-Fi signal is strong.**  
You're all set!  
Install your new garage door opener.



**Wi-Fi signal is weak.**  
The garage door opener will *likely* connect to your Wi-Fi network. If not, try one of the options below.



**No Wi-Fi signal.**  
Try one of the following:

- Move your router closer to the garage door opener to minimize interference from walls and other objects
- Buy a Wi-Fi range extender

Visit [support.chamberlaingroup.com](http://support.chamberlaingroup.com) for more details

See myQ® App Control page 32 to connect your garage door opener to your Wi-Fi network. Do NOT connect prior to installation.

Wi-Fi® is a registered trademark of Wi-Fi Alliance

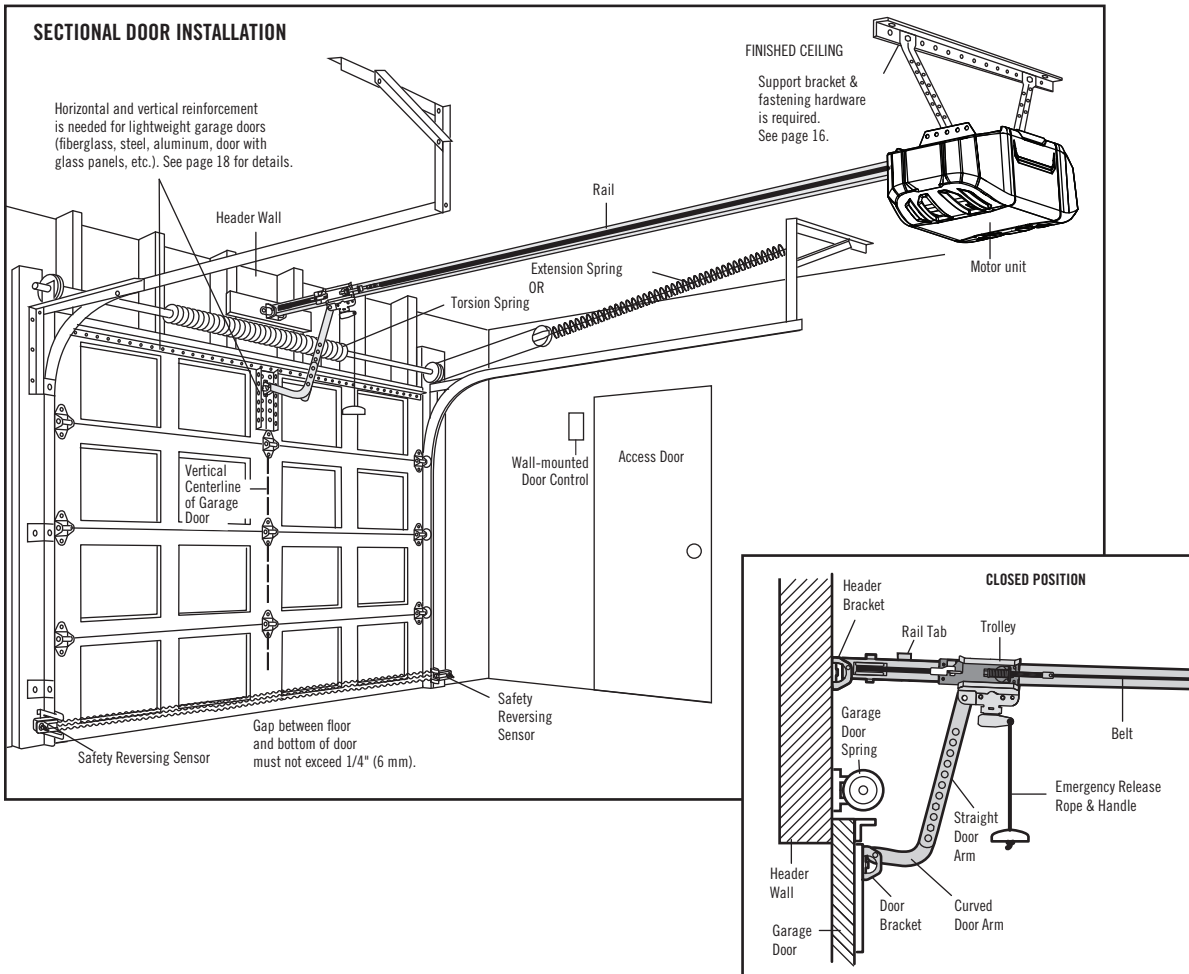
# PLANNING

Identify the type and height of your garage door. Survey your garage area to see if any of the conditions below apply to your installation. Additional materials may be required. You may find it helpful to refer back to this page and the accompanying illustrations as you proceed with the installation of your opener. Depending on your requirements, there are several installation steps which may call for materials or hardware not included in the carton.

- Installation Step 1 - Look at the wall or ceiling above the garage door. The header bracket must be securely fastened to structural supports.
- Installation Step 5 - Do you have a finished ceiling in your garage? If so, a support bracket and additional fastening hardware may be required.
- Installation Step 12 - Depending upon garage construction, extension brackets or wood blocks may be needed to install sensors.
- Installation Step 12 - Alternate floor mounting of the safety reversing sensor will require hardware not provided.
- Do you have an access door in addition to the garage door? If not, an emergency key release is required.
- Look at the garage door where it meets the floor. Any gap between the floor and the bottom of the door must not exceed 1/4" (6 mm). Otherwise, the safety reversal system may not work properly. See Adjustment Step 2. Floor or door should be repaired.

# SECTIONAL DOOR INSTALLATION

- Do you have a steel, aluminum, fiberglass or glass panel door? If so, horizontal and vertical reinforcement is required (Installation Step 8).
- The opener should be installed above the center of the door. If there is a torsion spring or center bearing plate in the way of the header bracket, it may be installed within 4 feet (1.22 m) to the left or right of the door center. See Installation Steps 1 and 8.
- If your door is more than 7 feet (2.13 m) high, see rail extension kits listed on Accessories page.



## PLANNING (CONTINUED)

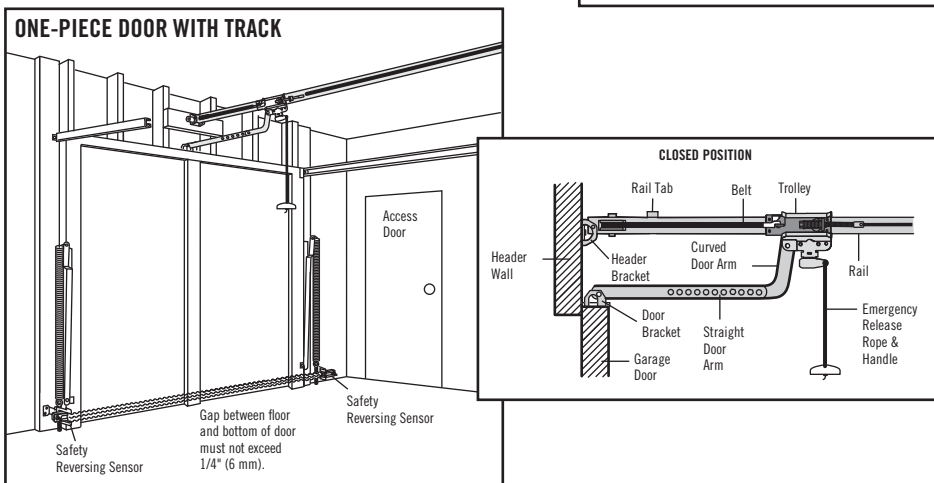
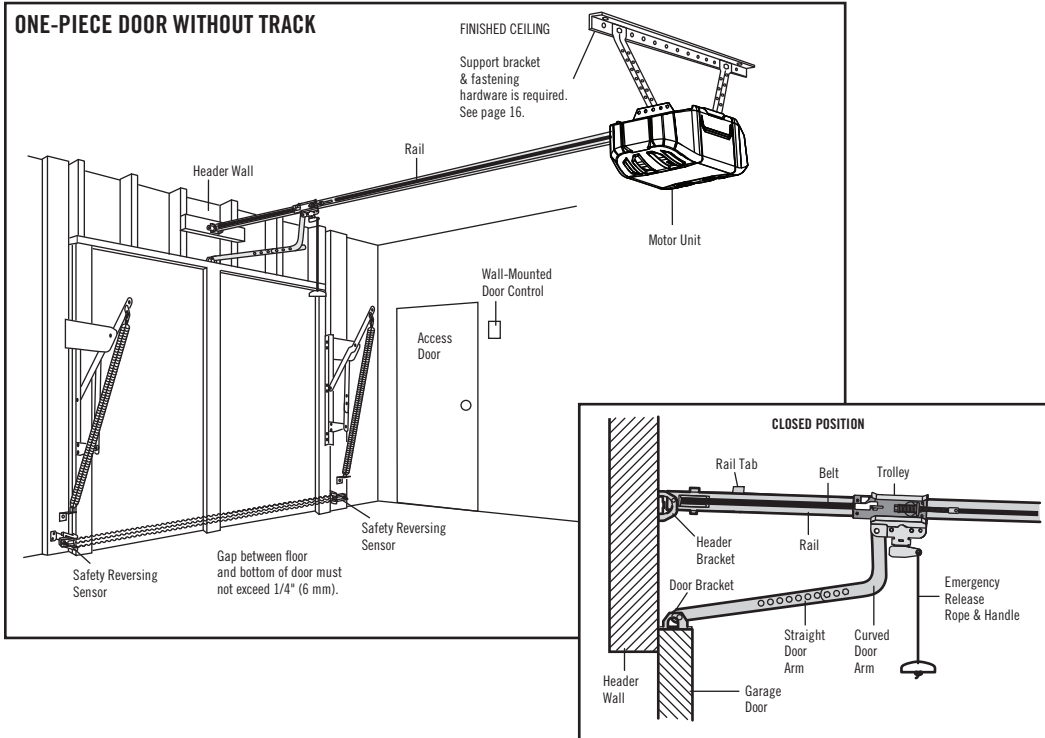
### ONE-PIECE DOOR INSTALLATIONS

- Generally, a one-piece door does not require reinforcement. If your door is lightweight, refer to the information relating to sectional doors in Installation Step 8.
- Depending on your door's construction, you may need additional mounting hardware for the door bracket (Installation Step 8).

## WARNING

Without a properly installed safety reversing sensor, persons (particularly small children) could be **SERIOUSLY INJURED** or **KILLED** by a closing garage door.

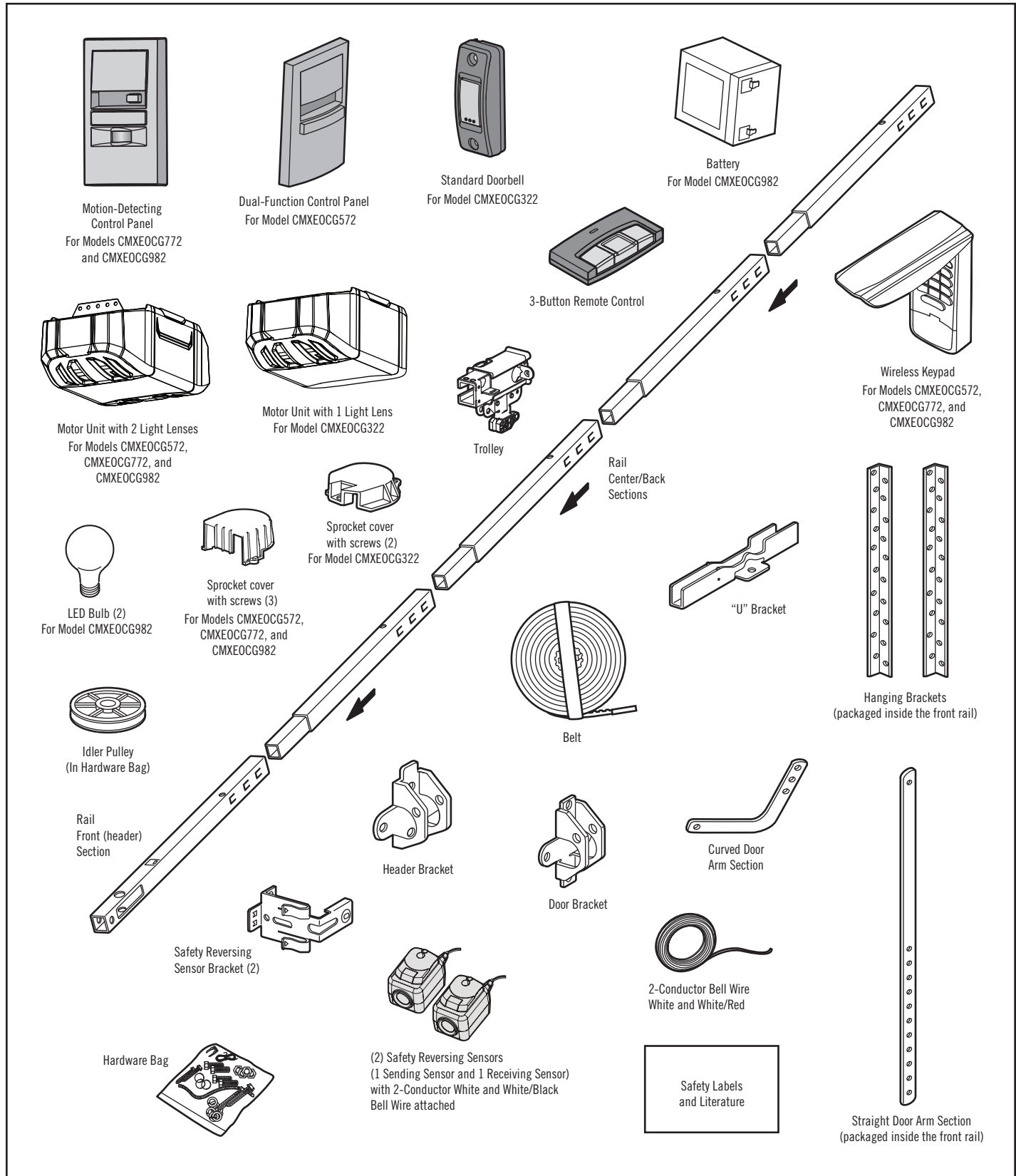
- The gap between the bottom of the garage door and the floor **MUST NOT** exceed 1/4" (6 mm). Otherwise, the safety reversal system may **NOT** work properly.
- The floor or the garage door **MUST** be repaired to eliminate the gap.



# CARTON INVENTORY

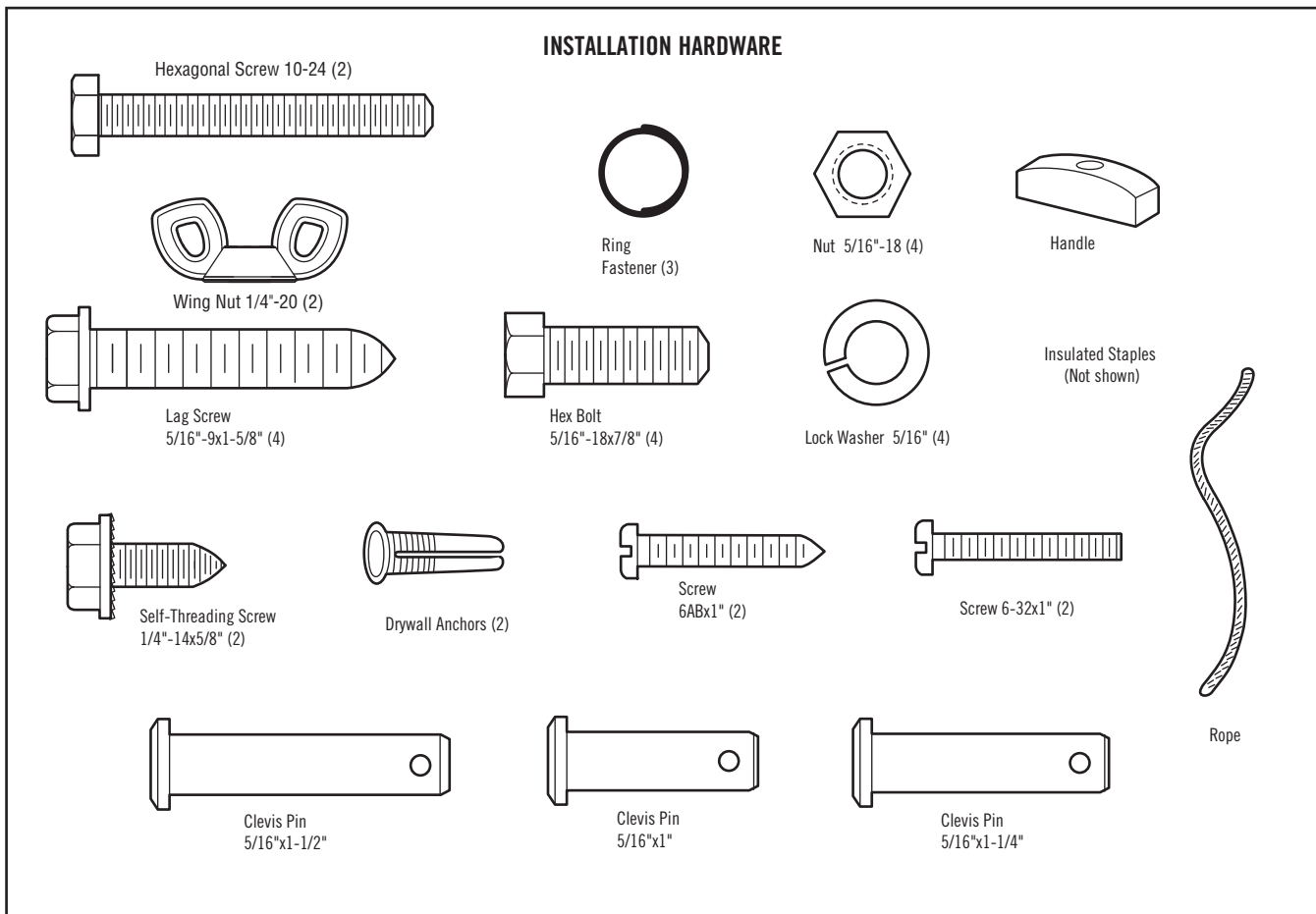
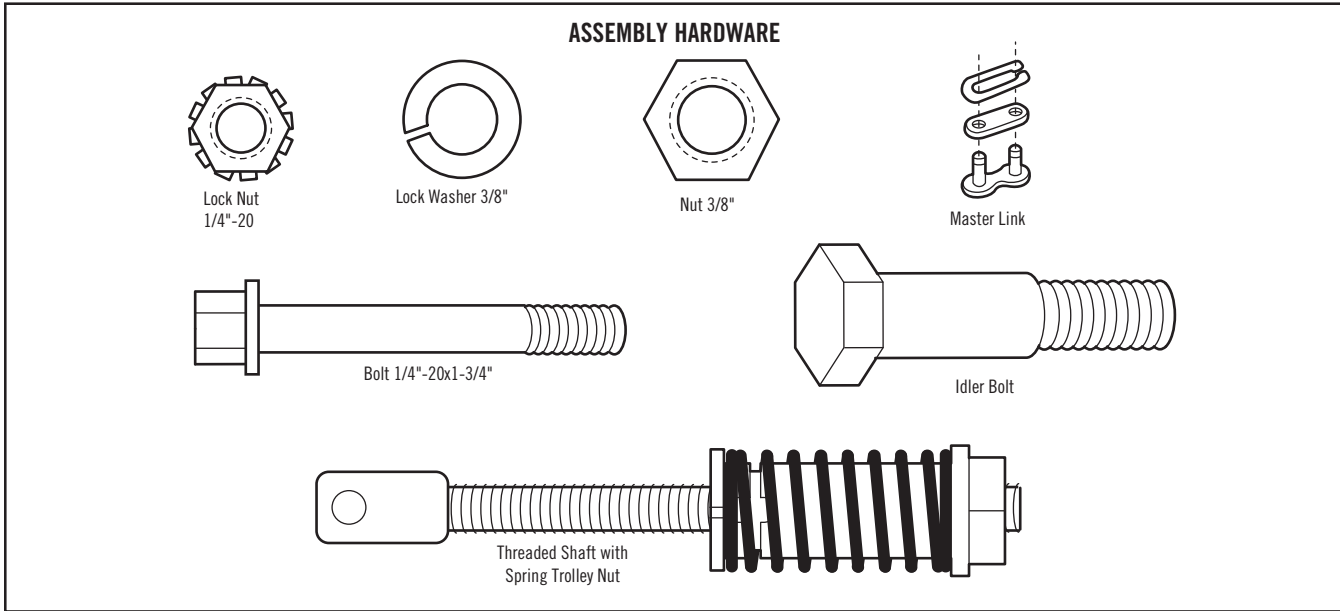
Your garage door opener is packaged in one carton which contains the motor unit and all parts illustrated below. Accessories will depend on the model purchased. If anything is missing, carefully check the packing material.

Hardware for assembly and installation is shown on the next page. Save the carton and packing material until installation and adjustment is complete.



# HARDWARE INVENTORY

Separate all hardware and group as shown below for the assembly and installation procedures.





## ASSEMBLY STEP 1

### ASSEMBLE THE RAIL AND INSTALL THE TROLLEY

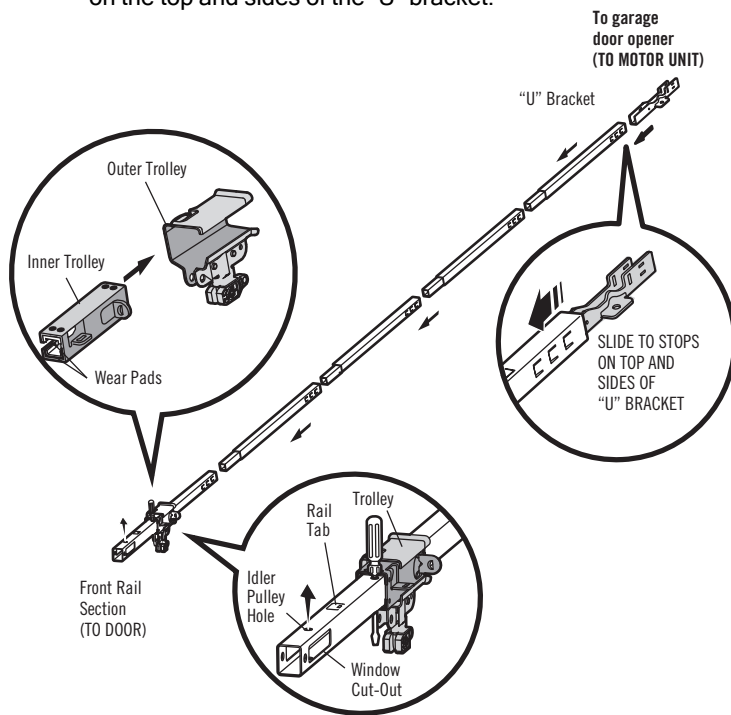
#### CAUTION

To prevent INJURY from pinching, keep hands and fingers away from the joints while assembling the rail.

To avoid installation difficulties, do not run the garage door opener until instructed to do so.

The front rail has a cut out "window" at the door end. The front rail has a rail tab. This tab **MUST** be on the top of the rail when assembled.

1. Remove the straight door arm and hanging bracket packaged inside the front rail and set aside for Installation Step 5 and 9.  
**NOTE:** To prevent INJURY while unpacking the rail carefully remove the straight door arm stored within the rail section.
2. Align the rail sections on a flat surface as shown and slide the tapered ends into the larger ones. Tabs along the side will lock into place.
3. Place the motor unit on packing material to protect the cover, and rest the back end of the rail on top. For convenience, put a support under the front end of the rail.
4. As a temporary stop, insert a screwdriver into the hole 10" (25 cm) from the front end of the rail, as shown.
5. Check to be sure there are 4 plastic wear pads inside the inner trolley. If they became loose during shipping, check all packing material. Snap them back into position as shown.
6. Slide the trolley assembly along the rail from the back end to the screwdriver.
7. Slide the rail onto the "U" bracket, until it reaches all the stops on the top and sides of the "U" bracket.



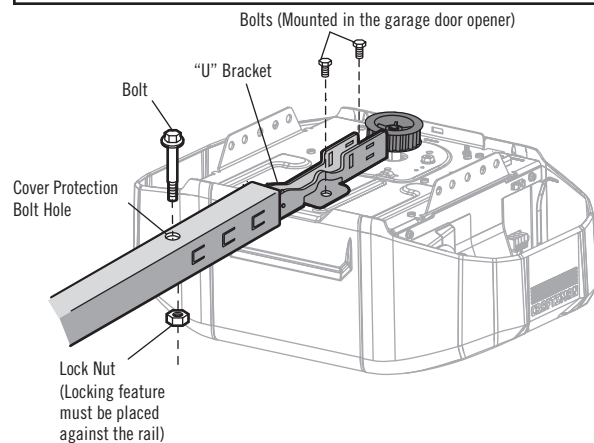
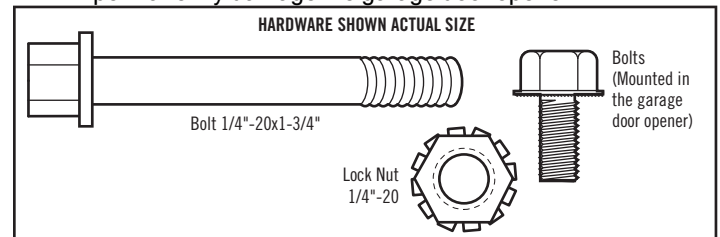
## ASSEMBLY STEP 2

### FASTEN THE RAIL TO THE MOTOR UNIT

#### CAUTION

To avoid SERIOUS damage to garage door opener, use **ONLY** those bolts/fasteners mounted in the top of the opener.

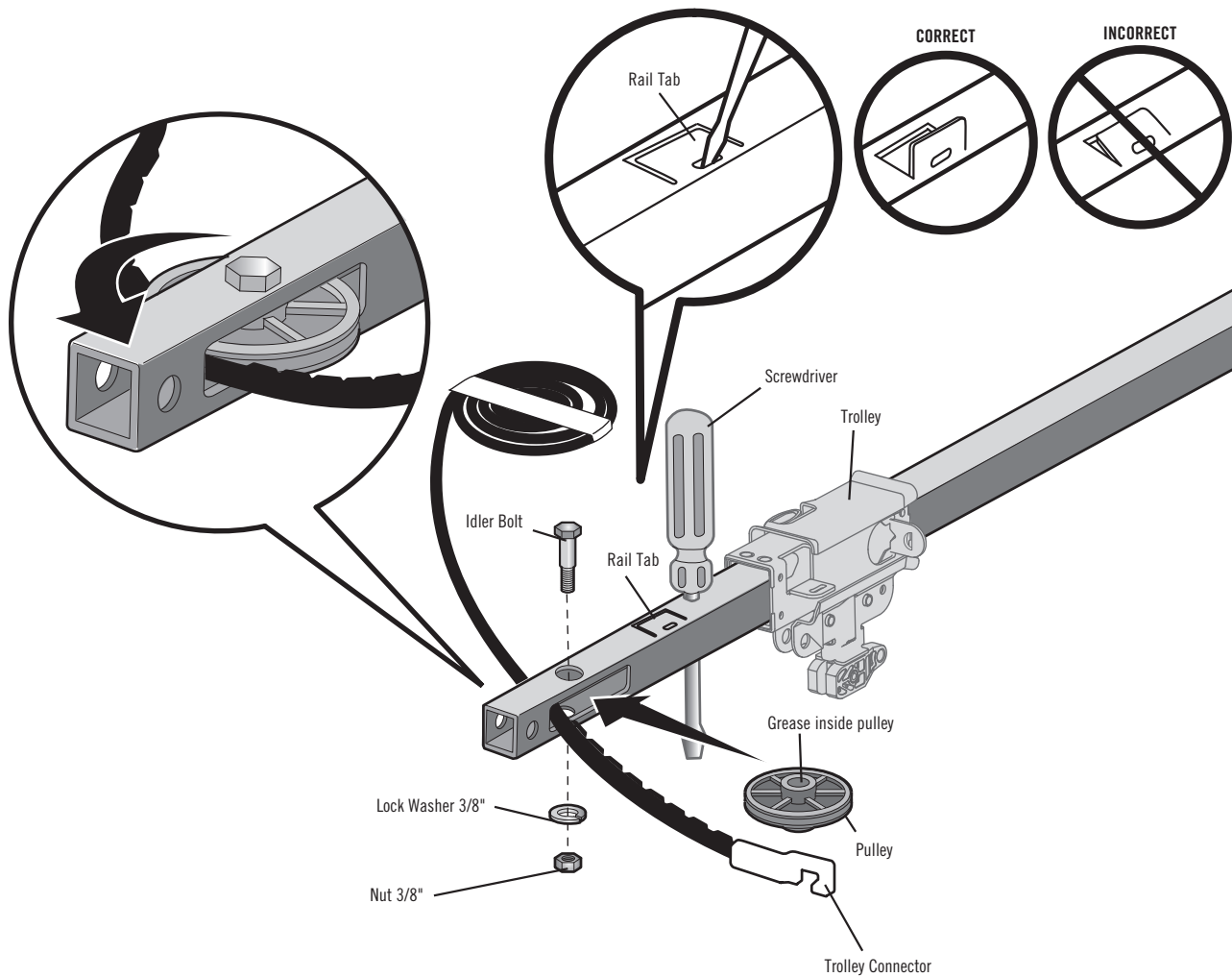
1. Insert a 1/4"-20 x 1-3/4" bolt into the cover protection bolt hole on the back end of the rail as shown. Tighten securely with a 1/4"-20 lock nut. DO NOT overtighten.
2. Remove the bolts from the top of the motor unit.
3. Use the carton to support the front end of the rail.
4. Place the "U" bracket, flat side down onto the motor unit and align the bracket holes with the bolt holes.
5. Fasten the "U" bracket with the previously removed bolts; DO NOT use any power tools. The use of power tools may permanently damage the garage door opener.



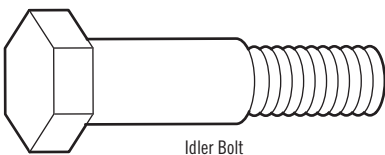
## ASSEMBLY STEP 3

### INSTALL THE IDLER PULLEY

1. Lay the belt beside the rail, as shown. Grasp the end with the hooked trolley connector and pass approximately 12" (30 cm) of belt through the window. Keep the ribbed side toward the rail, and allow it to hang until Assembly Step 4.
2. Remove the tape from the idler pulley. The inside center should be pre-greased. If dry, regrease to ensure proper operation.
3. Place the idler pulley into the window as shown.
4. Insert the idler bolt from the top through the rail and pulley. Tighten with a 3/8" lock washer and nut underneath the rail until the lock washer is compressed.
5. Rotate the pulley to be sure it spins freely.
6. Locate the rail tab. The rail tab is between the idler bolt and the trolley in the front rail section. Use a flathead screwdriver and lift the rail tab until the tab is vertical (90°).



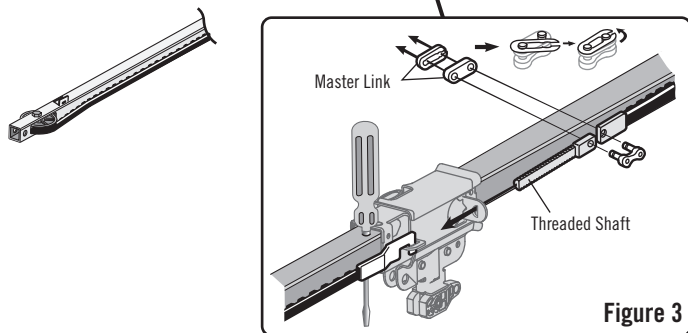
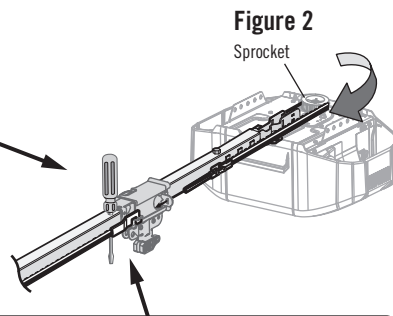
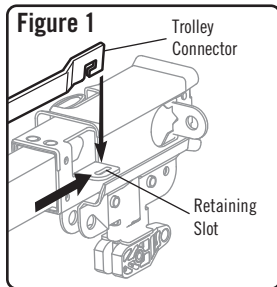
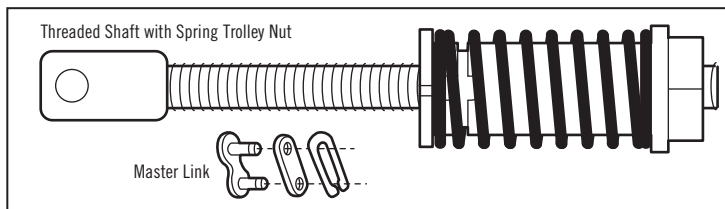
#### HARDWARE SHOWN ACTUAL SIZE



## ASSEMBLY STEP 4

### INSTALL THE BELT

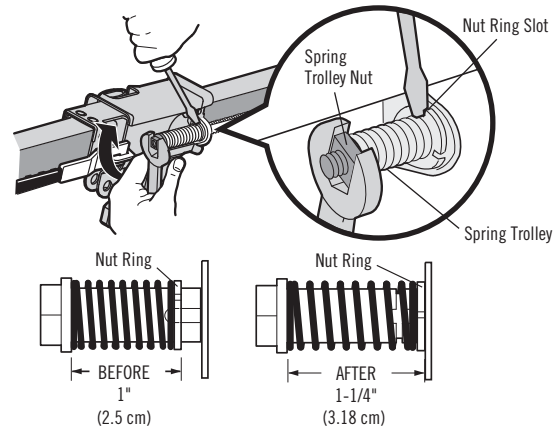
1. Pull the belt around the idler pulley and toward the trolley. The ribbed side must contact the pulley.
2. Hook the trolley connector into the retaining slot on the trolley as shown (Figure 1).
3. With the trolley against the screwdriver, dispense the remainder of the belt along the rail length toward the motor unit and around the sprocket (Figure 2). The sprocket teeth must engage the belt.
4. Check to make sure the belt is not twisted. Connect the trolley threaded shaft with the master link (Figure 3).
  - Push pins of master link bar through holes in end of belt and trolley threaded shaft.
  - Push master link cap over pins and past pin notches.
  - Slide clip-on spring over cap and onto pin notches until both pins are securely locked in place.
5. Remove the spring trolley nut from the threaded shaft.
6. Insert the trolley threaded shaft through the hole in the trolley.



## ASSEMBLY STEP 5

### TIGHTEN THE BELT

1. By hand, thread the spring trolley nut on the threaded shaft until it is finger tight against the trolley. Do not use any tools. Remove the screwdriver.
2. Insert a flathead screwdriver tip into one of the nut ring slots and brace it firmly against the trolley.
3. Tighten the spring trolley nut with an adjustable wrench or a 7/16" open end wrench about a quarter turn until the spring releases and snaps the nut ring against the trolley. This sets the spring to optimum belt tension.



## ASSEMBLY STEP 6

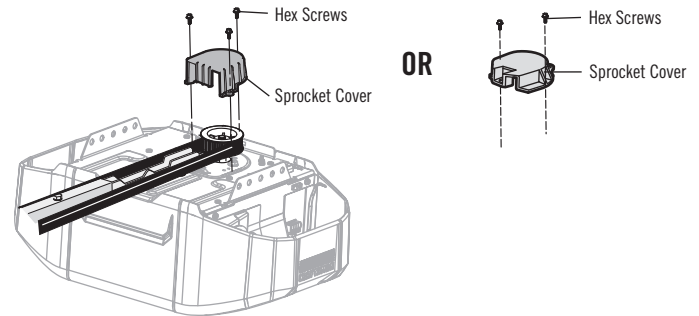
### INSTALL THE SPROCKET COVER

#### **WARNING**

To avoid possible **SERIOUS INJURY** to finger from moving garage door opener:

- ALWAYS keep hand clear of sprocket while operating opener.
- Securely attach sprocket cover **BEFORE** operating.

1. Position the sprocket cover over the sprocket as shown and fasten to the mounting plate with #8x3/8" hex screws provided.



#### HARDWARE SHOWN ACTUAL SIZE



Hex Screw #8x3/8"  
(Packed with the  
sprocket cover)

**You have now finished assembling your garage door opener. Please read the following warnings before proceeding to the installation section.**

## INSTALLATION

### IMPORTANT INSTALLATION INSTRUCTIONS

#### **WARNING**

#### To reduce the risk of **SEVERE INJURY** or **DEATH**:

1. READ AND FOLLOW ALL INSTALLATION WARNINGS AND INSTRUCTIONS.
2. Install garage door opener **ONLY** on properly balanced and lubricated garage door. An improperly balanced door may **NOT** reverse when required and could result in **SEVERE INJURY** or **DEATH**.
3. ALL repairs to cables, spring assemblies and other hardware **MUST** be made by a trained door systems technician **BEFORE** installing opener.
4. Disable **ALL** locks and remove **ALL** ropes connected to garage door **BEFORE** installing opener to avoid entanglement.
5. Where possible, install the door opener 7 feet (2.13 m) or more above the floor.
6. Mount the emergency release within reach, but at least 6 feet (1.83 m) above the floor and avoiding contact with vehicles to avoid accidental release.
7. **NEVER** connect garage door opener to power source until instructed to do so.
8. **NEVER** wear watches, rings or loose clothing while installing or servicing opener. They could be caught in garage door or opener mechanisms.
9. Install wall-mounted garage door control:
  - within sight of the garage door.
  - out of reach of small children at a minimum height of 5 feet (1.5 m) above floors, landings, steps or any other adjacent walking surface.
  - away from **ALL** moving parts of the door.
10. Place entrapment warning label on wall next to garage door control in a prominent location.
11. Place emergency release/safety reverse test label in plain view on inside of garage door.
12. Upon completion of installation, test safety reversal system. Door **MUST** reverse on contact with a 1-1/2" (3.8 cm) high object (or a 2x4 laid flat) on the floor.
13. **DO NOT** install on a one-piece door if using devices or features providing unattended close. Unattended devices and features are to be used **ONLY** with sectional doors.

# INSTALLATION STEP 1

## DETERMINE THE HEADER BRACKET LOCATION

### WARNING

To prevent possible SERIOUS INJURY or DEATH:

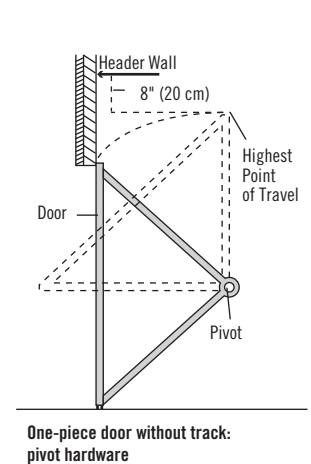
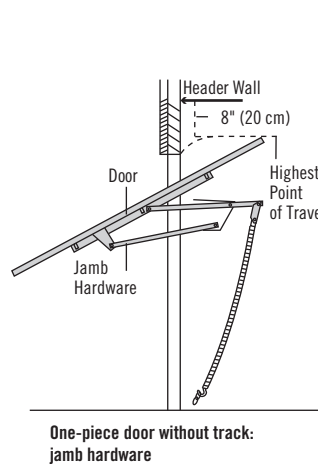
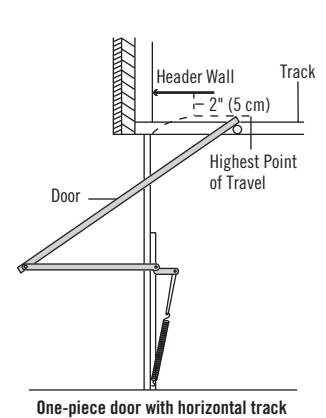
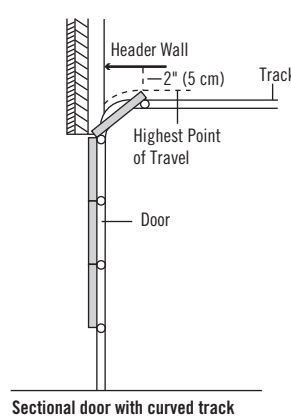
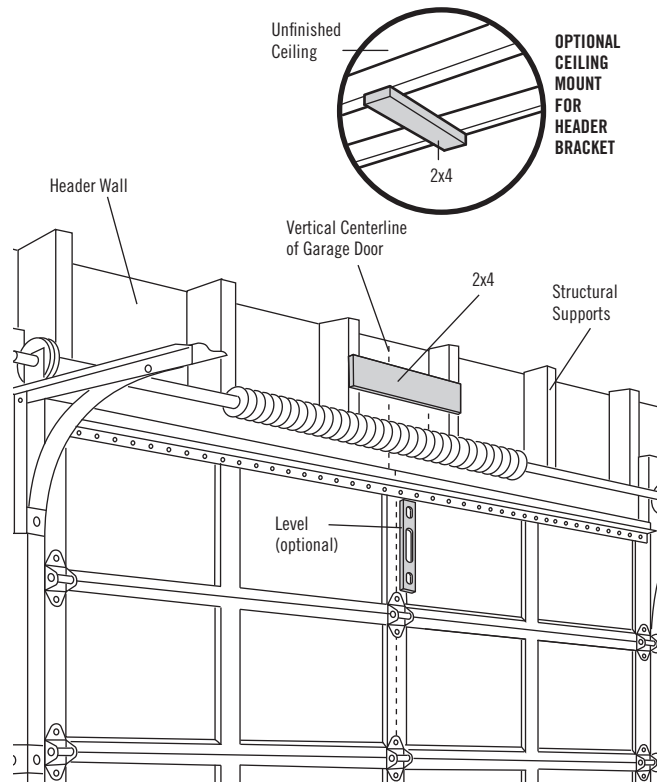
- Header bracket **MUST** be RIGIDLY fastened to structural support on header wall or ceiling, otherwise garage door might NOT reverse when required. **DO NOT** install header bracket over drywall.
- Concrete anchors **MUST** be used if mounting header bracket or 2x4 into masonry.
- **NEVER** try to loosen, move or adjust garage door, springs, cables, pulleys, brackets, or their hardware, ALL of which are under EXTREME tension.
- **ALWAYS** call a trained door systems technician if garage door binds, sticks, or is out of balance. An unbalanced garage door might NOT reverse when required.

Installation procedures vary according to garage door types. Follow the instructions which apply to your door.

1. Close the door and mark the inside vertical centerline of the garage door.
2. Extend the line onto the header wall above the door. **You can fasten the header bracket within 4 feet (1.22 m) of the left or right of the door center only if a torsion spring or center bearing plate is in the way; or you can attach it to the ceiling (see page 14) when clearance is minimal. (It may be mounted on the wall upside down if necessary, to gain approximately 1/2" (1 cm).)** If you need to install the header bracket on a 2x4 (on wall or ceiling), use lag screws (not provided) to securely fasten the 2x4 to structural supports as shown here and on page 14.
3. Open your door to the highest point of travel as shown. Draw an intersecting horizontal line on the header wall above the high point:
  - 2" (5 cm) above the high point for sectional door and one-piece door with track.
  - 8" (20 cm) above the high point for one-piece door without track.

This height will provide travel clearance for the top edge of the door.

**NOTE:** If the total number of inches exceeds the height available in your garage, use the maximum height possible, or refer to page 14 for ceiling installation.



# INSTALLATION STEP 2

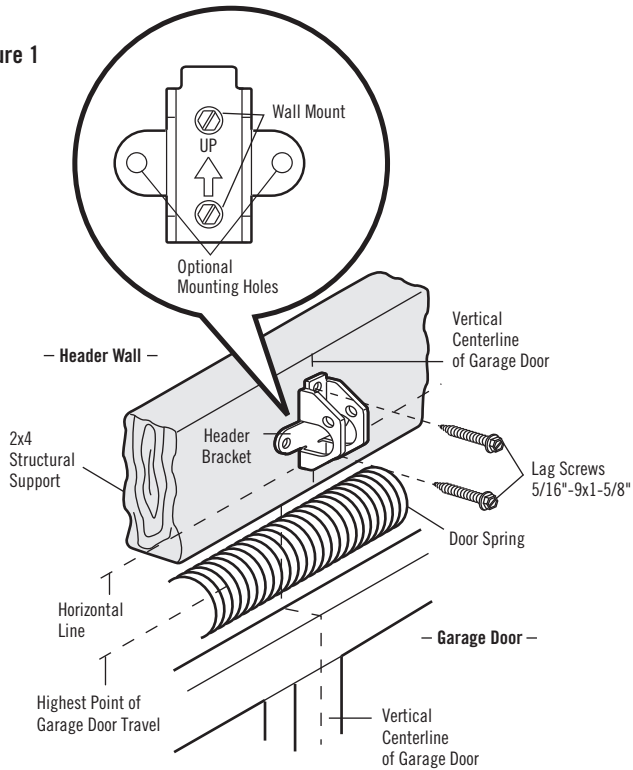
## INSTALL THE HEADER BRACKET

You can attach the header bracket either to the wall above the garage door, or to the ceiling. Follow the instructions which will work best for your particular requirements. **Do not install the header bracket over drywall. If installing into masonry, use concrete anchors (not provided).**

### WALL HEADER BRACKET INSTALLATION

1. Center the bracket on the vertical centerline with the bottom edge of the bracket on the horizontal line as shown (with the arrow pointing toward the ceiling).
2. Mark the vertical set of bracket holes. Drill 3/16" pilot holes and fasten the bracket securely to a structural support with the hardware provided.

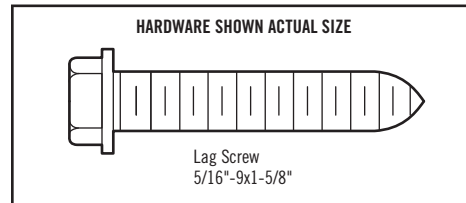
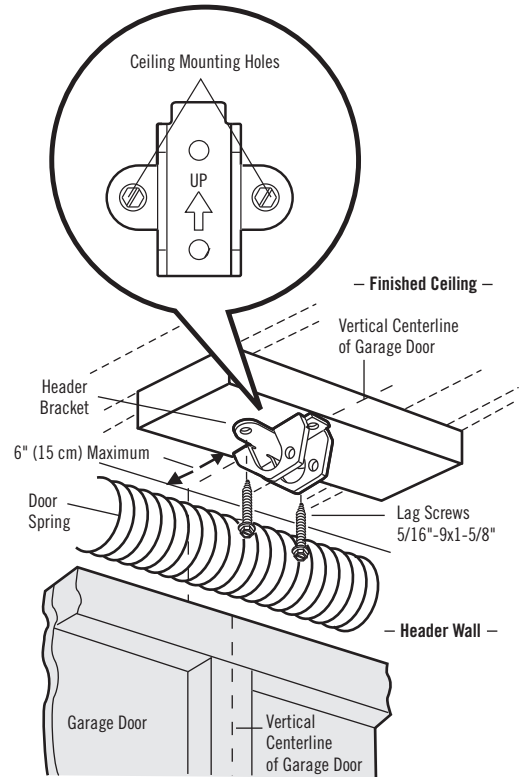
Figure 1



### CEILING HEADER BRACKET INSTALLATION

1. Extend the vertical centerline onto the ceiling as shown.
2. Center the bracket on the vertical mark, no more than 6" (15 cm) from the wall. Make sure the arrow is pointing away from the wall. The bracket can be mounted flush against the ceiling when clearance is minimal.
3. Mark the side holes. Drill 3/16" pilot holes and fasten bracket securely to a structural support with the hardware provided.

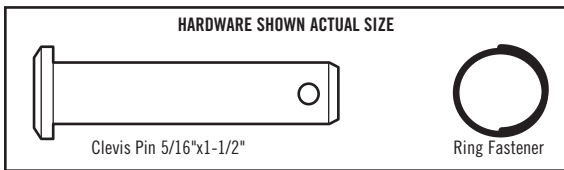
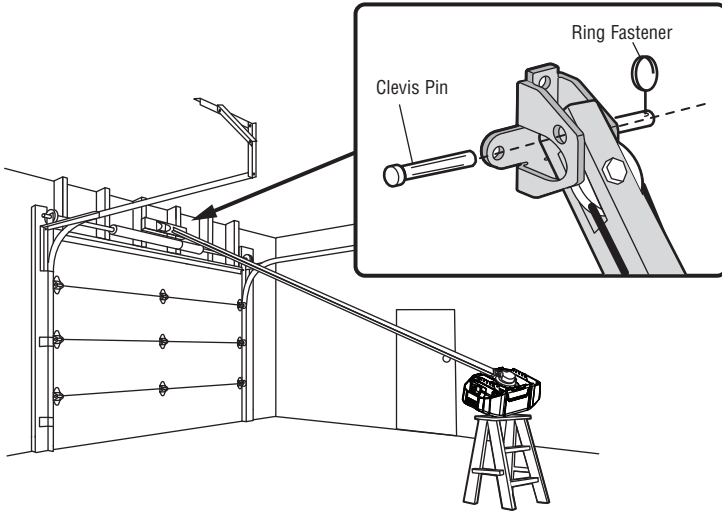
Figure 2



# INSTALLATION STEP 3

## ATTACH THE RAIL TO THE HEADER BRACKET

1. Position the opener on the garage floor below the header bracket. Use packing material as a protective base.  
**NOTE:** *If the door spring is in the way, you will need help. Have someone hold the opener securely on a temporary support to allow the rail to clear the spring.*
2. Position the rail bracket against the header bracket.
3. Align the bracket holes and join with a clevis pin as shown.
4. Insert a ring fastener to secure.



## INSTALLATION STEP 4

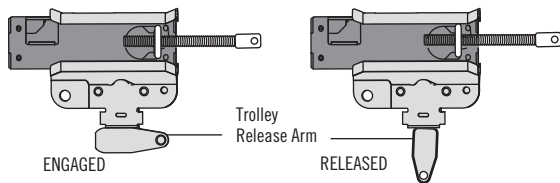
### POSITION THE OPENER

Follow instructions which apply to your door type as illustrated.

#### SECTIONAL DOOR OR ONE-PIECE DOOR WITH TRACK

A 2x4 laid flat is convenient for setting an ideal door-to-rail distance.

1. Raise the opener onto a stepladder. You will need help at this point if the ladder is not tall enough.
2. Open the door all the way and place a 2x4 laid flat on the top section beneath the rail (Figure 1).
3. If the top section or panel hits the trolley when you raise the door, pull down on the trolley release arm to disconnect inner and outer sections. Slide the outer trolley toward the motor unit. The trolley can remain disconnected until Installation Step 12 is completed.



#### ONE-PIECE DOOR WITHOUT TRACK

A 2x4 on its side is convenient for setting an ideal door-to-rail distance.

1. Raise the opener onto a stepladder. You will need help at this point if the ladder is not tall enough.
2. Open the door all the way and place a 2x4 on its side on the top section of the door beneath the rail (Figure 2).
3. The top of the door should be level with the top of the motor unit. Do not position the opener more than 4" (10 cm) above this point.

**! CAUTION**

To prevent damage to garage door, rest garage door opener rail on 2x4 placed on top section of door.

Figure 1

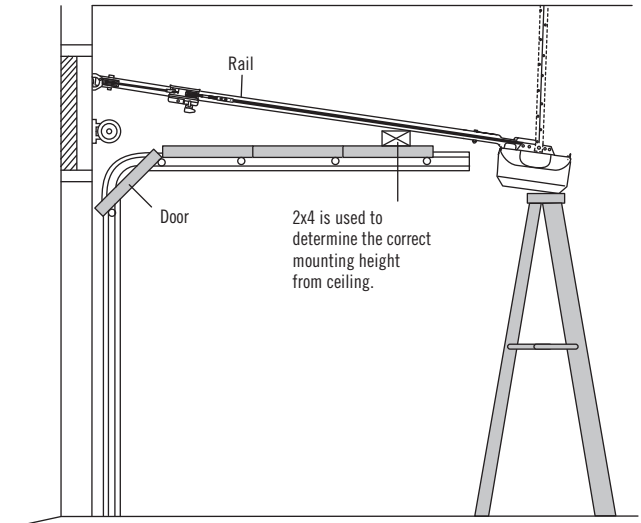
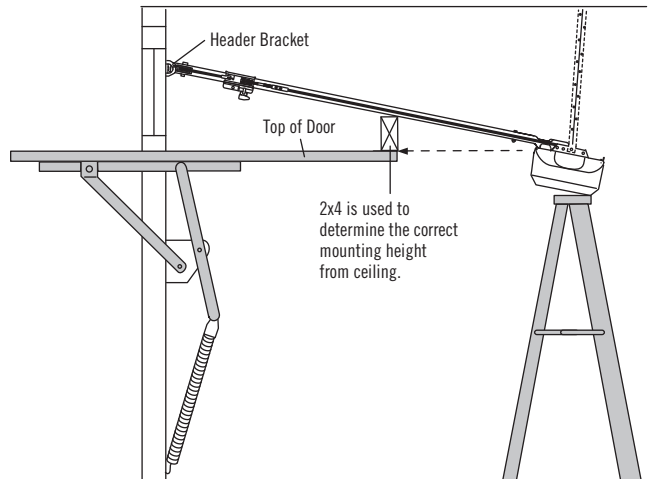


Figure 2





# INSTALLATION STEP 5

## HANG THE OPENER

### WARNING

To avoid possible SERIOUS INJURY from a falling garage door opener, fasten it SECURELY to structural supports of the garage. Concrete anchors MUST be used if installing ANY brackets into masonry.

Three representative installations are shown. Yours may be different. Hanging brackets should be angled (Figure 1) to provide rigid support. On finished ceilings (Figures 2 and 3), attach a sturdy metal bracket to structural supports before installing the opener. This bracket and fastening hardware are not provided.

1. Measure the distance from each side of the motor unit to the structural support.
2. Cut both pieces of the hanging bracket to required lengths.
3. Drill  $3/16"$  pilot holes in the structural supports.
4. Attach one end of each bracket to a support with  $5/16"$ - $9 \times 1-5/8"$  lag screws.
5. Fasten the opener to the hanging brackets with  $5/16"$ - $18 \times 7/8"$  hex bolts, lock washers and nuts.
6. Check to make sure the rail is centered over the door (or in line with the header bracket if the bracket is not centered above the door).
7. Remove the 2x4. Operate the door manually. If the door hits the rail, raise the header bracket.

**NOTE:** DO NOT connect power to opener at this time.

Figure 1

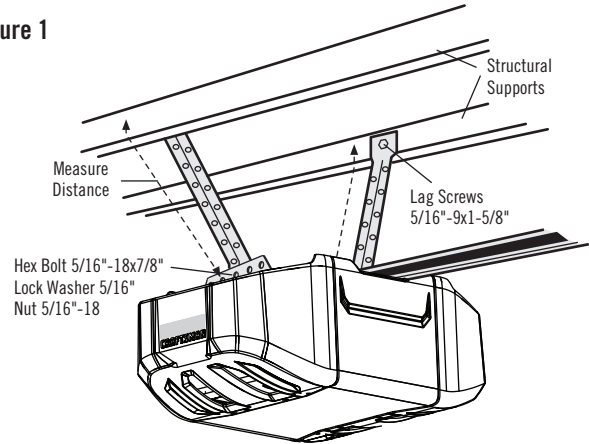


Figure 2

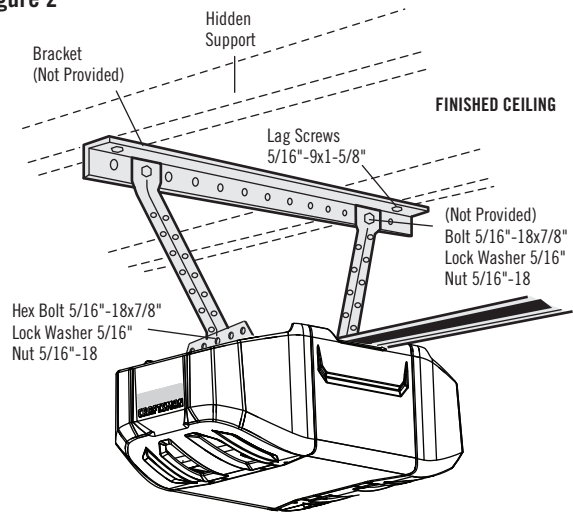
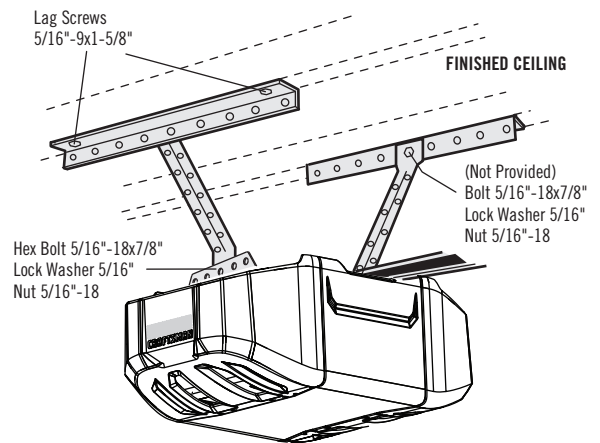
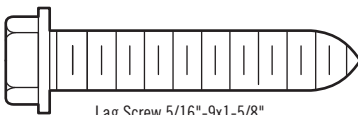


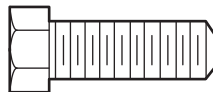
Figure 3



#### HARDWARE SHOWN ACTUAL SIZE



Lag Screw  $5/16"$ - $9 \times 1-5/8"$



Hex Bolt  
 $5/16"$ - $18 \times 7/8"$



Nut  $5/16"$ -18



Lock Washer  $5/16"$

## INSTALLATION STEP 6

### INSTALL THE LIGHTS

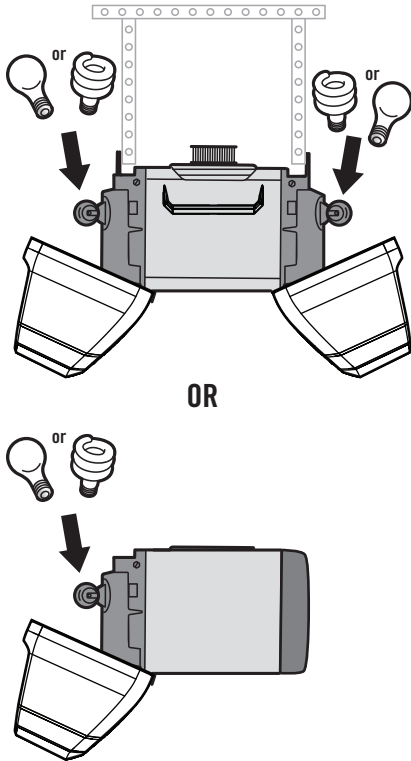
#### CAUTION

To prevent possible OVERHEATING of the end panel or light socket:

- Use ONLY A19 light bulbs.
- DO NOT use incandescent bulbs larger than 100W.
- DO NOT use compact fluorescent light bulbs larger than 26W (100W equivalent).
- DO NOT use halogen bulbs.
- DO NOT use short neck or specialty light bulbs.

LED bulbs may cause remote control radio interference. Visit [craftsman.com](http://craftsman.com) for a list of recommended LED bulbs.

1. Pull light lens down.
2. Insert light bulb.
3. Close light lens.



## INSTALLATION STEP 7

### ATTACH THE EMERGENCY RELEASE ROPE AND HANDLE

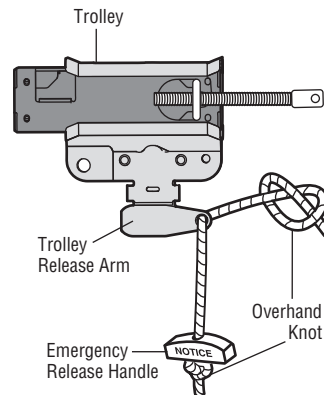
#### WARNING

To prevent possible SERIOUS INJURY or DEATH from a falling garage door:

- If possible, use emergency release handle to disengage trolley ONLY when garage door is CLOSED. Weak or broken springs or unbalanced door could result in an open door falling rapidly and/or unexpectedly.
- NEVER use emergency release handle unless garage doorway is clear of persons and obstructions.
- NEVER use handle to pull door open or closed. If rope knot becomes untied, you could fall.

1. Insert one end of the emergency release rope through the handle. Make sure that "NOTICE" is right side up. Secure with an overhand knot at least 1" (2.5 cm) from the end of the rope to prevent slipping.
2. Insert the other end of the emergency release rope through the hole in the trolley release arm. Mount the emergency release within reach, but at least 6 feet (1.83 m) above floor, avoiding contact with vehicles to prevent accidental release and secure with an overhand knot.

**NOTE:** If it is necessary to cut the emergency release rope, seal the cut end with a match or lighter to prevent unraveling. Ensure the emergency release rope and handle are above the top of all vehicles to avoid entanglement.



# INSTALLATION STEP 8

## FASTEN THE DOOR BRACKET

### CAUTION

Fiberglass, aluminum or lightweight steel garage doors **WILL REQUIRE** reinforcement **BEFORE** installation of door bracket. Contact the garage door manufacturer or installing dealer for opener reinforcement instructions or reinforcement kit.

Follow instructions which apply to your door type as illustrated below or on the following page.

**A horizontal reinforcement brace should be long enough to be secured to two or three vertical supports. A vertical reinforcement brace should cover the height of the top panel.**

Figure 1 shows one piece of angle iron as the horizontal brace. For the vertical brace, 2 pieces of angle iron are used to create a U-shaped support. The best solution is to check with your garage door manufacturer for an opener installation door reinforcement kit.

**NOTE:** Many door reinforcement kits provide for direct attachment of the clevis pin and door arm. In this case you will not need the door bracket; proceed to Step 9.

### SECTIONAL DOORS

1. Center the door bracket on the previously marked vertical centerline used for the header bracket installation. Note correct UP placement, as stamped inside the bracket.
2. Position the top edge of the bracket 2"-4" (5-10 cm) below the top edge of the door, OR directly below any structural support across the top of the door.
3. Mark, drill holes and install as follows, depending on your door's construction.

#### Metal or light weight doors using a vertical angle iron brace between the door panel support and the door bracket:

- Drill 3/16" fastening holes. Secure the door bracket using the two 1/4"-14x5/8" self-threading screws. (Figure 2A)
- Alternately, use two 5/16"-18x2" bolts, lock washers and nuts (not provided). (Figure 2B)

#### Metal, insulated or light weight factory reinforced doors:

- Drill 3/16" fastening holes. Secure the door bracket using the self-threading screws. (Figure 3)

#### Wood doors:

- Use top and bottom or side to side door bracket holes. Drill 5/16" holes through the door and secure bracket with 5/16"-18x2" carriage bolts, lock washers and nuts (not provided). (Figure 4)

**NOTE:** The 1/4"-14x5/8" self-threading screws are not intended for use on wood doors.

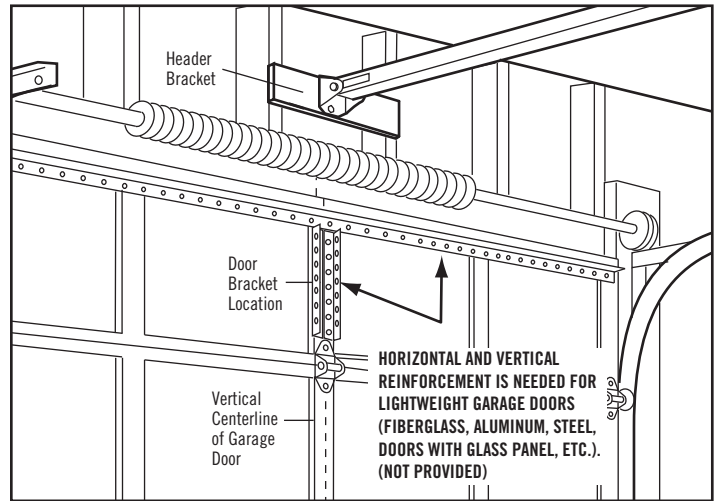


Figure 1

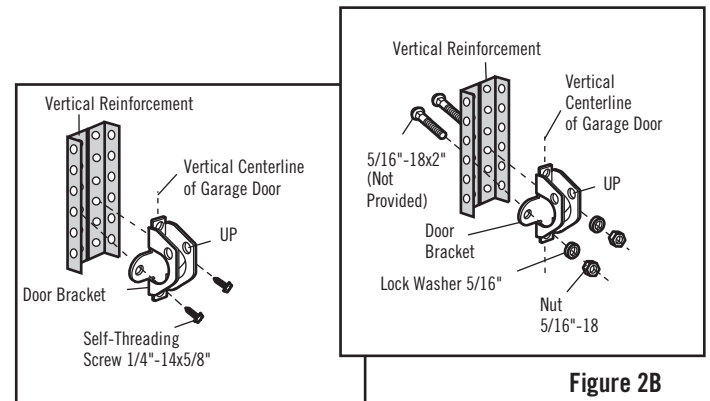


Figure 2A

Figure 2B

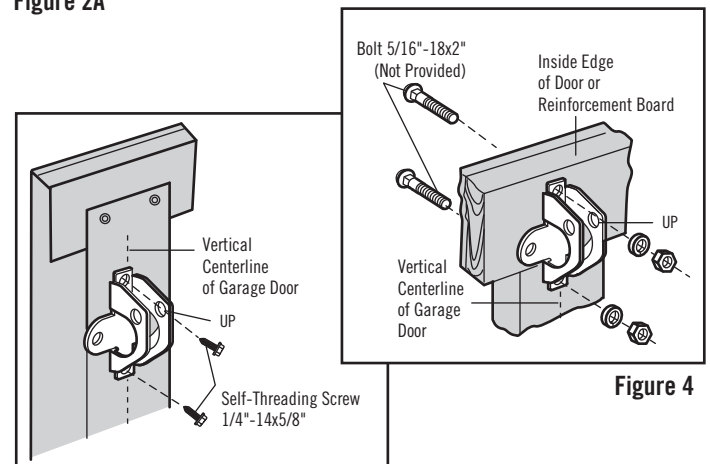


Figure 3

Figure 4



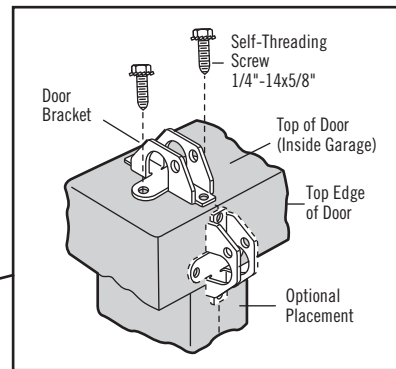
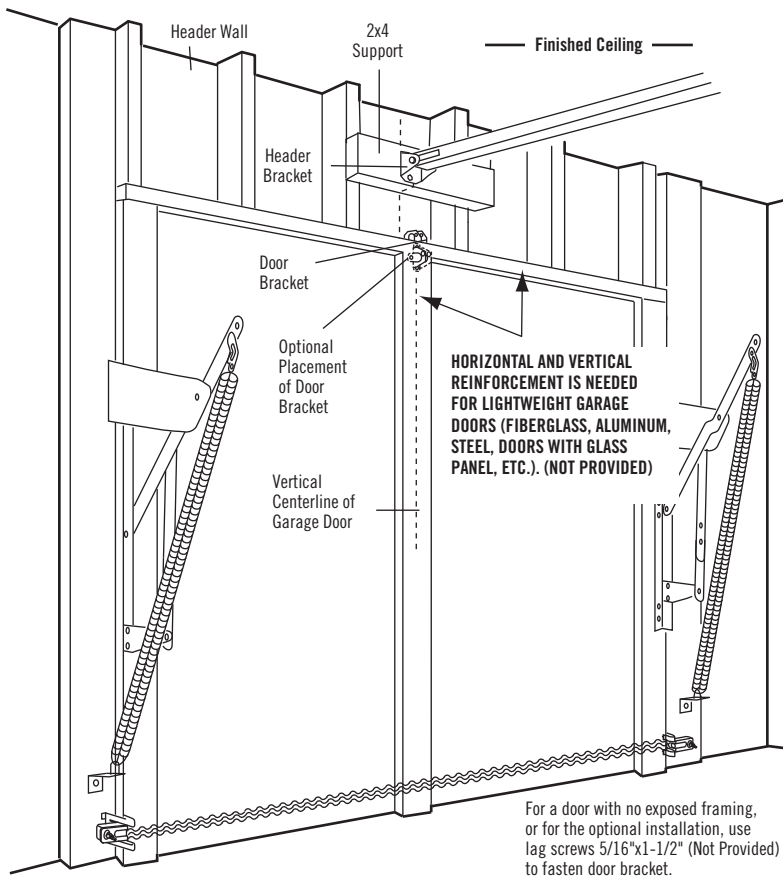
# FASTEN THE DOOR BRACKET (CONTINUED)

## ONE-PIECE DOORS

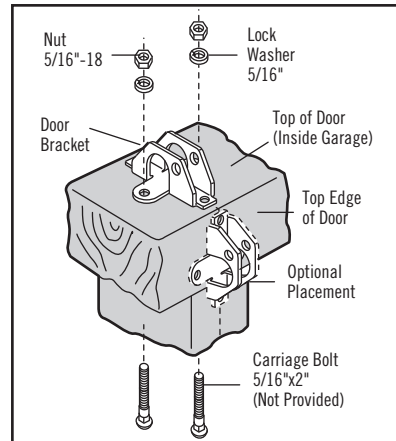
Please read and comply with the warnings and reinforcement instructions on the previous page. They apply to one-piece doors also.

- Center the door bracket on the top of the door, in line with the header bracket as shown. Mark either the left and right, or the top and bottom holes.
- **Metal Doors:** Drill 3/16" pilot holes and fasten the bracket with the 1/4"-14x5/8" self-threading screws provided.
- **Wood Doors:** Drill 5/16" holes and use 5/16"x2" carriage bolts, lock washers and nuts (not provided) or 5/16"x1-1/2" lag screws (not provided) depending on your installation needs.

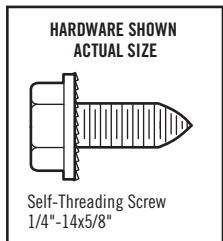
**NOTE:** The door bracket may be installed on the top edge of the door if required for your installation. (Refer to the dotted line optional placement drawing.)



METAL DOOR



WOOD DOOR



# INSTALLATION STEP 9

## CONNECT DOOR ARM TO TROLLEY

Follow instructions which apply to your door type as illustrated below and on the following page.

**IMPORTANT:** The groove on the straight door arm **MUST** face away from the curved door arm (Figure 4).

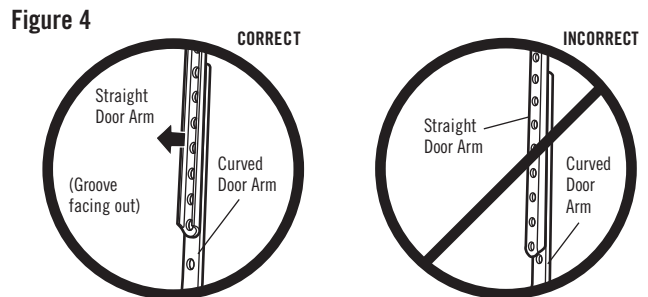
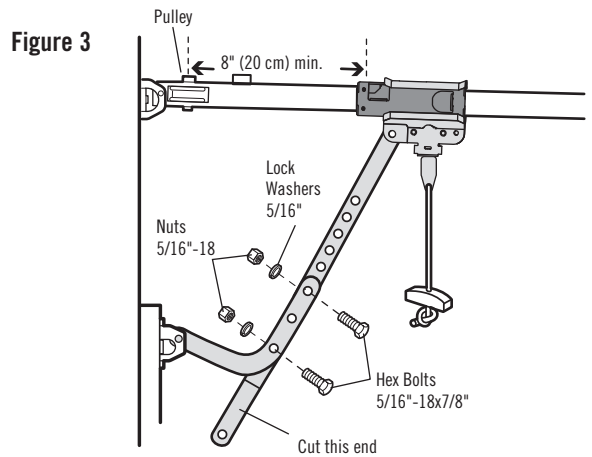
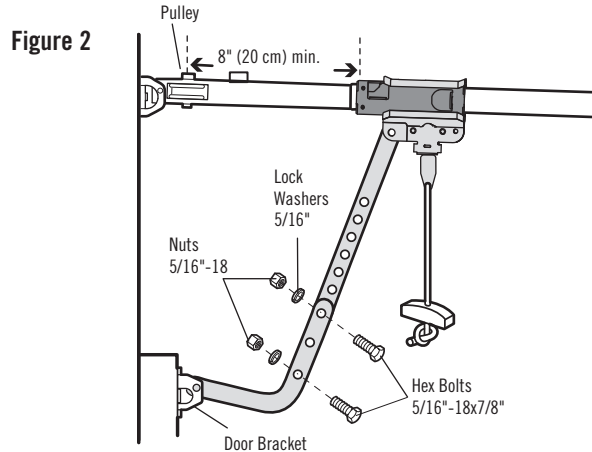
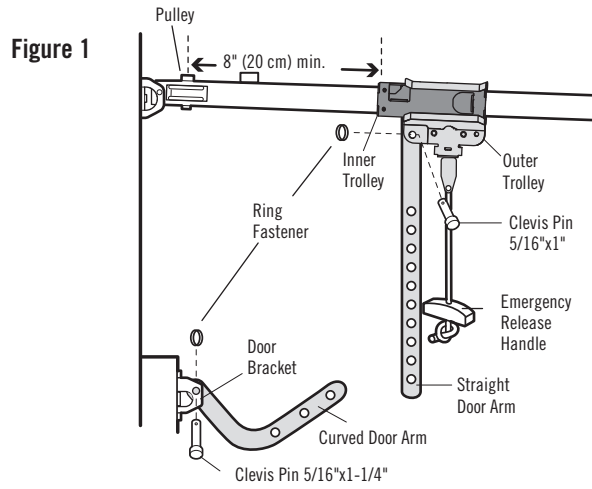
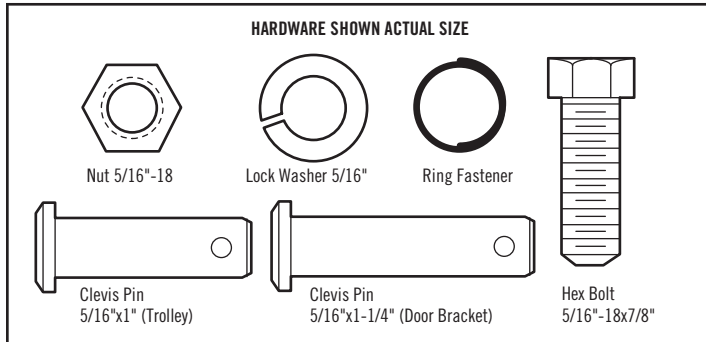
### SECTIONAL DOORS ONLY

1. Make sure garage door is fully closed. Pull the emergency release handle to disconnect the outer trolley from the inner trolley. Slide the outer trolley back (away from the pulley) about 8" (20 cm) as shown in Figures 1, 2 and 3.
2. Fasten straight door arm section to outer trolley with the 5/16"x1" clevis pin. Secure the connection with a ring fastener (Figure 1).
3. Fasten curved section to the door bracket in the same way, using the 5/16"x1-1/4" clevis pin.
4. Bring arm sections together. Find two pairs of holes that line up and join sections. Select holes as far apart as possible to increase door arm rigidity (Figure 2).

### Hole alignment alternative (Figure 3):

- If holes in curved arm are above holes in straight arm, disconnect straight arm. Cut about 6" (15 cm) from the solid end. Reconnect to trolley with cut end down as shown.
- Bring arm sections together.
- Find two pairs of holes that line up and join with bolts, lock washers and nuts.

Pull the emergency release handle toward the opener at a 45° angle so that the trolley release arm is horizontal. Trolley will re-engage automatically when opener is operated during the adjustments.



## CONNECT DOOR ARM TO TROLLEY (CONTINUED)

### ALL ONE-PIECE DOORS

**IMPORTANT:** The groove on the straight door arm **MUST** face away from the curved door arm (Figure 5).

1. Close the door. Disconnect the trolley by pulling the emergency release handle.
2. Fasten the straight door arm and the curved door arm together to the longest possible length (with a 2 or 3 hole overlap) using the bolts, nuts, and lock washers.
3. Attach the straight door arm to the door bracket using the 5/16"x1-1/4" clevis pin. Secure with the ring fastener.
4. Attach the curved door arm to the trolley using the 5/16"x1" clevis pin. Secure with the ring fastener.
5. Pull the emergency release handle toward the garage door opener until the trolley release arm is horizontal.

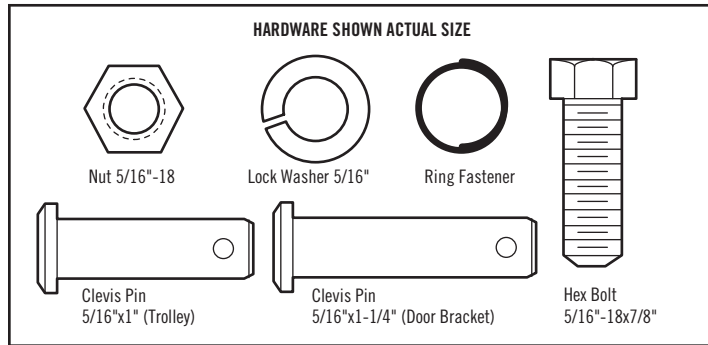


Figure 5

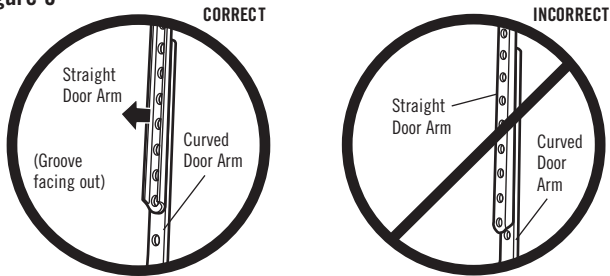


Figure 6 One-Piece Door Without Track

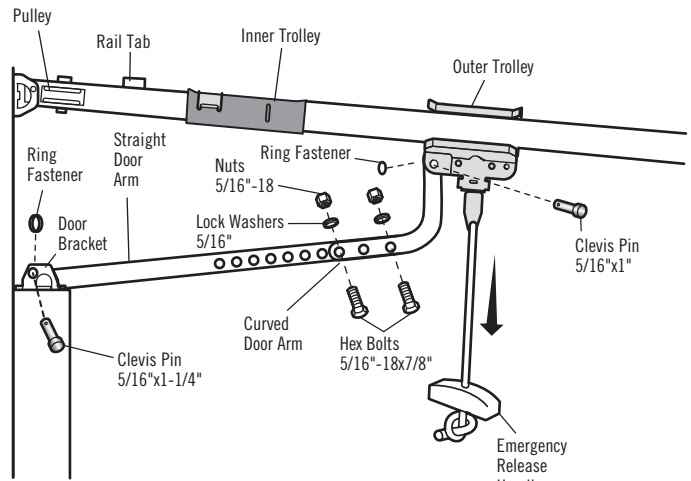
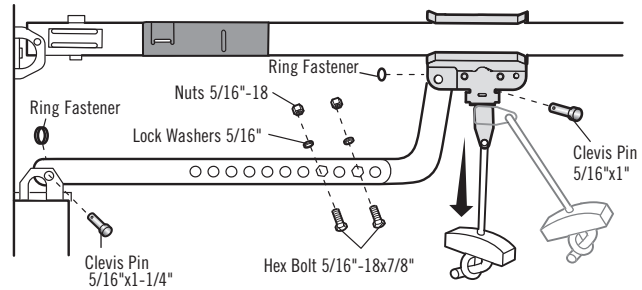


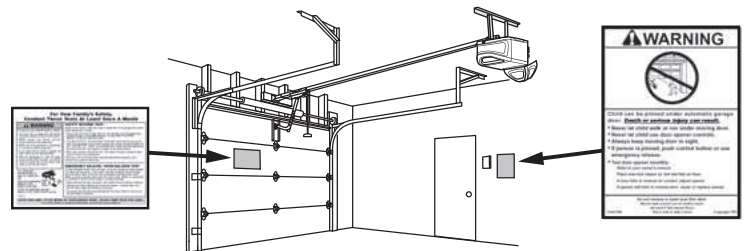
Figure 7 One-Piece Door With Track



## INSTALLATION STEP 10

### ATTACH THE WARNING LABELS

1. Attach the entrapment warning label on the wall near the door control with tacks or staples.
2. Attach the manual release/safety reverse test label in a visible location on the inside of the garage door.



# INSTALLATION STEP 11

## INSTALL THE DOOR CONTROL

### INTRODUCTION

**NOTE:** Older door controls and third party products are not compatible.

Install the door control within sight of the door at a minimum height of 5 feet (1.5 m) above floors, landings, steps or any other adjacent walking surface where small children cannot reach, and away from the moving parts of the door.

**NOTE:** For gang box installations it is not necessary to drill holes or install the drywall anchors. Use the existing holes in the gang box.

### WIRE THE DOOR CONTROL (FIGURE 1) - MODELS CMXEOCG572, CMXEOCG772, and CMXEOCG982

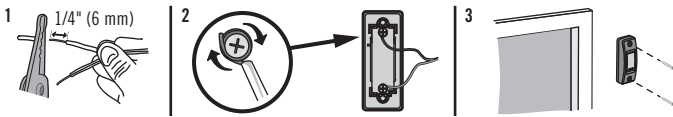
1. Strip 7/16" (11 mm) of insulation from one end of the wire and separate the wires.
2. Connect one wire to each of the two screws on the back of the door control. The wires can be connected to either screw.  
**Pre-wired installations:** Choose any two wires to connect, but make note of which wires are used so that the correct wires are connected to the garage door opener in a later step.

### MOUNT THE DOOR CONTROL (FIGURE 2) - MODELS CMXEOCG572, CMXEOCG772, and CMXEOCG982

1. Mark the location of the bottom mounting hole and drill a 5/32" hole.
2. Install the bottom screw, allowing 1/8" (3 mm) to protrude from the wall.
3. Position the bottom hole of the door control over the screw and slide down into place.
4. Lift the push bar and mark the top hole.
5. Remove the door control from the wall and drill a 5/32" hole for the top screw.
6. Position the bottom hole of the door control over the screw and slide down into place. Attach the top screw.

### PUSH BUTTON DOOR CONTROL - MODEL CMXEOCG322

1. Strip 1/4" (6 mm) of insulation from one end of the wire and separate the wires.
2. Connect one wire to each of the two screws on the back of the door control. The wires can be connected to either screw.
3. Mount the door control with the hardware provided.



### WIRE THE DOOR CONTROL TO THE GARAGE DOOR OPENER (FIGURE 3)

**Pre-wired installations:** When wiring the door control to the garage door opener make sure you use the same wires that are connected to the door control.

1. Run the white and red/white wire from the door control to the garage door opener. Attach the wire to the wall and ceiling with the staples (not applicable for gang box or pre-wired installations). Do not pierce the wire with the staple as this may cause a short or an open circuit.
2. Strip 7/16" (11 mm) of insulation from the other end of the wire near the garage door opener.
3. Connect the wire to the red and white terminals on the garage door opener.

## ⚠️ ⚡ WARNING

To prevent possible **SERIOUS INJURY** or **DEATH** from electrocution:

- Be sure power is **NOT** connected **BEFORE** installing door control.
- Connect door control **ONLY** to 12 VOLT low voltage wires.

To prevent possible **SERIOUS INJURY** or **DEATH** from a closing garage door:

- Install door control within sight of garage door, out of reach of small children at a minimum height of 5 feet (1.5 m) above floors, landings, steps or any other adjacent walking surface, and away from **ALL** moving parts of door.
- **NEVER** permit children to operate or play with door control push buttons or remote control transmitters.
- Activate door **ONLY** when it can be seen clearly, is properly adjusted, and there are no obstructions to door travel.
- **ALWAYS** keep garage door in sight until completely closed. **NEVER** permit anyone to cross path of closing garage door.

### HARDWARE SHOWN ACTUAL SIZE

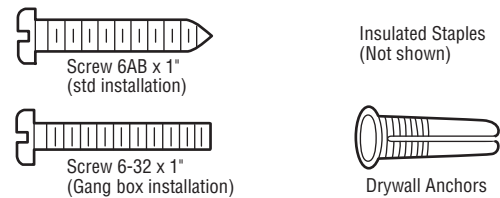


Figure 1

**PRE-WIRED INSTALLATIONS:** Choose any two wires to connect, but make note of which wires are used.

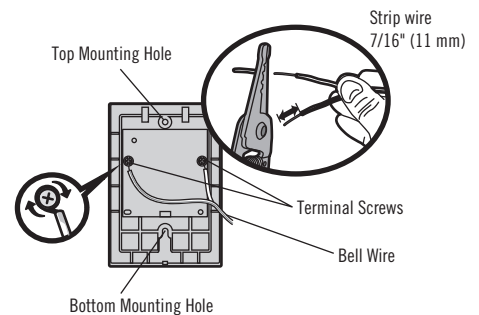


Figure 2

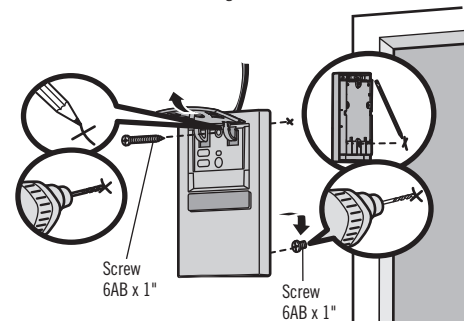
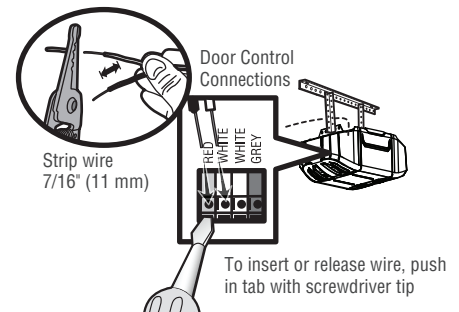


Figure 3



# INSTALLATION STEP 12

## INSTALL THE SAFETY REVERSAL SYSTEM

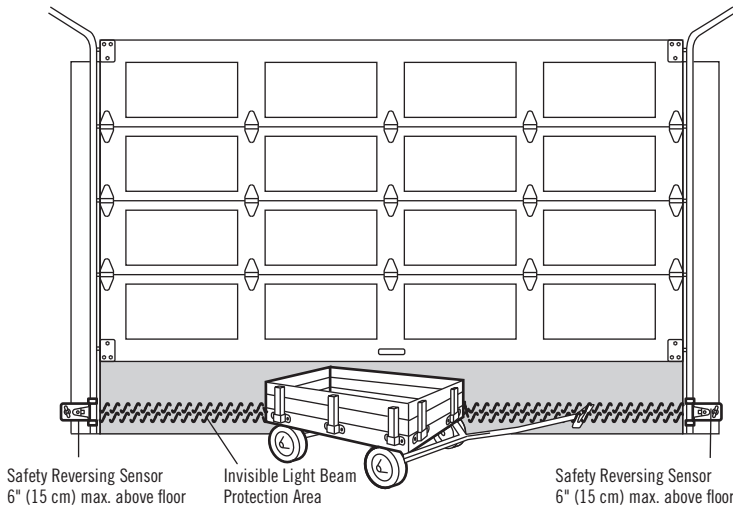
### IMPORTANT INFORMATION ABOUT THE SAFETY REVERSING SENSORS

The safety reversing sensors must be connected and aligned correctly before the garage door opener will move in the down direction.

The sending sensor (with an amber LED) transmits an invisible light beam to the receiving sensor (with a green LED). If an obstruction breaks the light beam while the door is closing, the door will stop and reverse to the full open position.

#### When installing the safety reversing sensors check the following:

- Sensors are installed inside the garage, one on either side of the door.
- Sensors are facing each other with the lenses aligned and the receiving sensor lens does not receive direct sunlight.
- Sensors are no more than 6" (15 cm) above the floor and the light beam is unobstructed.



Facing the door from inside the garage

## WARNING

Be sure power is NOT connected to the garage door opener BEFORE installing the safety reversing sensor.

To prevent SERIOUS INJURY or DEATH from closing garage door:

- Correctly connect and align the safety reversing sensor. This required safety device MUST NOT be disabled.
- Install the safety reversing sensor so beam is NO HIGHER than 6" (15 cm) above garage floor.



# INSTALL THE SAFETY REVERSAL SYSTEM (CONTINUED)

## INSTALLING THE BRACKETS

**Be sure power to the opener is disconnected.** Install and align the brackets so the sensors will face each other across the garage door, with the beam no higher than 6" (15 cm) above the floor. They may be installed in one of three ways, as follows.

### Garage door track installation (preferred):

1. Slip the curved arms over the rounded edge of each door track, with the curved arms facing the door. Snap into place against the side of the track. It should lie flush, with the lip hugging the back edge of the track, as shown in Figure 1.

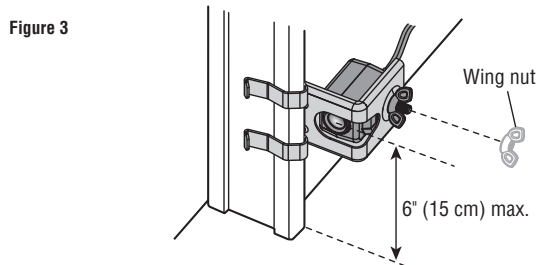
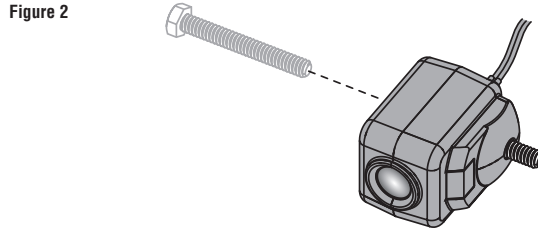
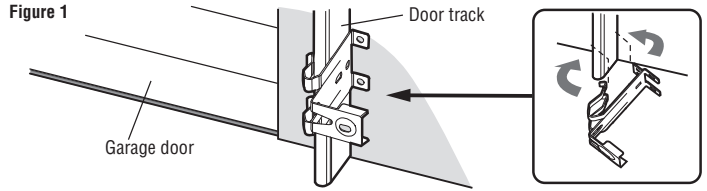
If your door track will not support the bracket securely, wall installation is recommended.

### Wall installation (Figures 2 and 3):

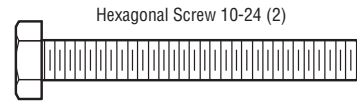
1. Place the bracket against the wall with curved arms facing the door. Be sure there is enough clearance for the sensor beam to be unobstructed.
2. If additional depth is needed, an extension bracket (see Accessories) or wood blocks can be used.
3. Use bracket mounting holes as a template to locate and drill (2) 3/16" diameter pilot holes on the wall at each side of the door, no higher than 6" (15 cm) above the floor.
4. Attach brackets to wall with lag screws (not provided).
5. If using extension brackets or wood blocks, adjust right and left assemblies to the same distance out from the mounting surface. Make sure all door hardware obstructions are cleared.

### Floor installation (Figure 4):

1. Use wood blocks or extension brackets (see Accessories) to elevate sensor brackets so the lenses will be no higher than 6" (15 cm) above the floor.
2. Carefully measure and place right and left assemblies at the same distance out from the wall. Be sure all door hardware obstructions are cleared.
3. Fasten to the floor with concrete anchors as shown.



## HARDWARE



# INSTALL THE SAFETY REVERSAL SYSTEM (CONTINUED)

## MOUNTING AND WIRING THE SAFETY REVERSING SENSORS

### Mounting:

- Slide a 1/4"-20 x 1/2" carriage bolt head into the slot on each sensor. Use wing nuts to fasten sensors to brackets, with lenses pointing toward each other across the door. Be sure the lens is not obstructed by a bracket extension (Figure 5).
- Finger tighten the wing nuts.

### Option A - Installation Without Pre-Wiring:

- Run the bell wire from both sensors to the garage door opener. Attach the wire to the wall and ceiling with the staples (Figure 6).

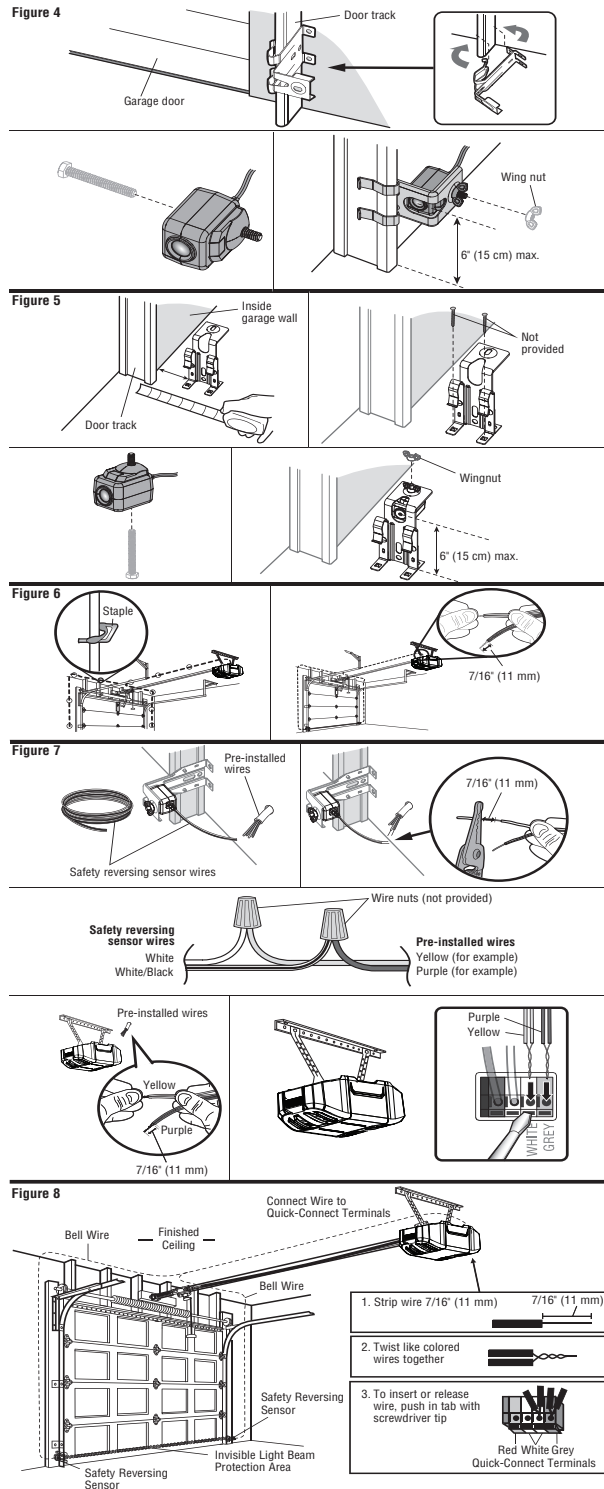
### Option B - Pre-Wired Installation:

If your garage already has wires installed for the safety reversing sensors, follow the instructions below:

- Cut the end of the safety sensor wire, making sure there is enough wire to reach the pre-installed wires from the wall (Figure 7).
- Separate the safety sensor wires and strip 7/16" (11 mm) of insulation from each end. Choose two of the pre-installed wires and strip 7/16" (11 mm) of insulation from each end. Make sure that you choose the same color pre-installed wires for each sensor.
- Connect the pre-installed wires to the sensor wires with wire nuts making sure the colors correspond for each sensor.

### CONNECT TO GARAGE DOOR OPENER:

- Strip 7/16" (11 mm) of insulation from each set of wires. Separate white and white/black wires sufficiently to connect to the opener quick-connect terminals. Twist like colored wires together. Insert wires into quick-connect holes: white to white and white/black to grey (Figure 8).



## INSTALLATION STEP 13

### ELECTRICAL REQUIREMENTS

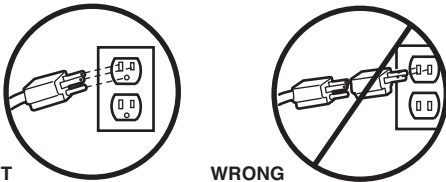
#### **WARNING**

To prevent possible **SERIOUS INJURY** or **DEATH** from electrocution or fire:

- Be sure power is **NOT** connected to the opener, and disconnect power to circuit **BEFORE** removing cover to establish permanent wiring connection.
- Garage door installation and wiring **MUST** be in compliance with **ALL** local electrical and building codes.
- **NEVER** use an extension cord, 2-wire adapter, or change plug in **ANY** way to make it fit outlet. Be sure the opener is grounded.

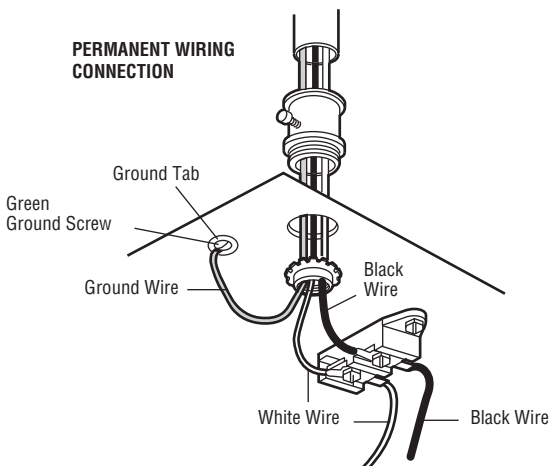
**To avoid installation difficulties, do not run the opener at this time.**

To reduce the risk of electric shock, your garage door opener has a grounding type plug with a third grounding pin. This plug will only fit into a grounding type outlet. If the plug doesn't fit into the outlet you have, contact a qualified electrician to install the proper outlet.



**If permanent wiring is required by your local code, refer to the following procedure. To make a permanent connection through the 7/8" hole in the top of the motor unit (according to local code):**

1. Remove the motor unit cover screws and set the cover aside.
2. Remove the attached 3-prong cord.
3. Connect the black (line) wire to the screw on the brass terminal; the white (neutral) wire to the screw on the silver terminal; and the ground wire to the green ground screw. **The opener must be grounded.**
4. Reinstall the cover.



## INSTALLATION STEP 14

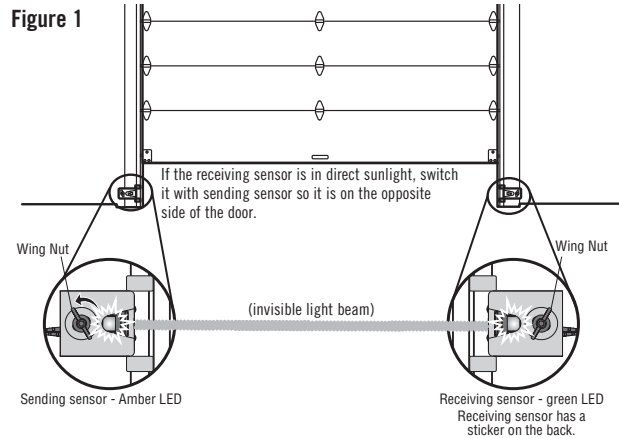
### ALIGNING THE SAFETY REVERSING SENSORS

The door will not close if the sensors have not been installed and aligned correctly.

When the light beam is obstructed or misaligned while the door is closing, the door will reverse. If the door is already open, it will not close.

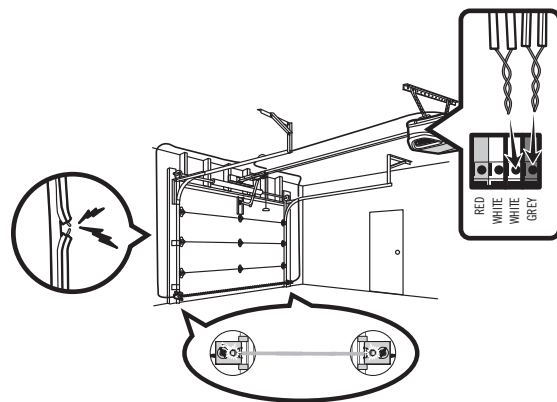
1. Check to make sure the LEDs in both sensors are glowing steadily. The LEDs in both sensors will glow steadily if they are aligned and wired correctly.

The sensors can be aligned by loosening the wing nuts, aligning the sensors, and tightening the wing nuts.



**IF THE AMBER LED ON THE SENDING SENSOR IS NOT GLOWING:**

1. Make sure there is power to the garage door opener.
2. Make sure the sensor wire is not shorted/broken.
3. Make sure the sensor has been wired correctly: white wires to white terminal and white/black wires to grey terminal.



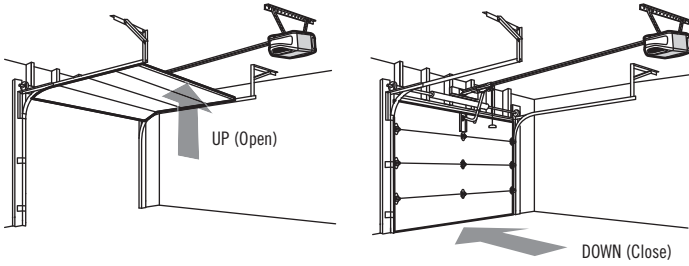
**IF THE GREEN LED ON THE RECEIVING SENSOR IS NOT GLOWING:**

1. Make sure the sensor wire is not shorted/broken.
2. Make sure the sensors are aligned.

# ADJUSTMENT

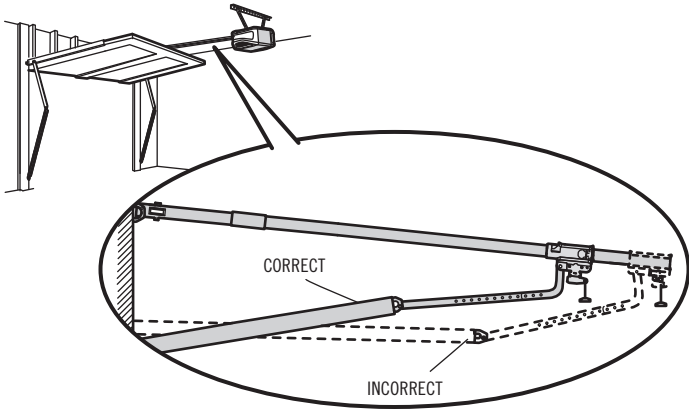
## INTRODUCTION

Your garage door opener is designed with electronic controls to make setup and adjustments easy.



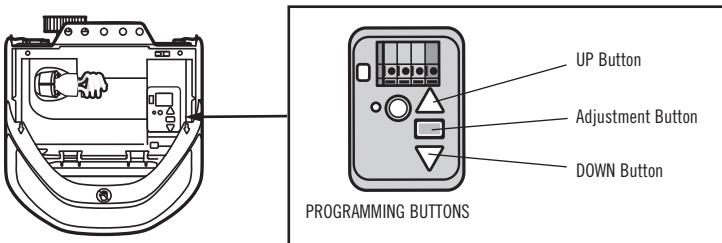
## ONE-PIECE DOORS ONLY

When setting the UP travel for a one-piece door ensure that the door does not slant backwards when fully open (UP). If the door is slanted backwards this will cause unnecessary bucking and/or jerking when the door is opening or closing.



## PROGRAMMING BUTTONS

The programming buttons are located on the left side panel of the garage door opener and are used to program the travel.



## ! WARNING

Without a properly installed safety reversal system, persons (particularly small children) could be **SERIOUSLY INJURED** or **KILLED** by a closing garage door.

- Incorrect adjustment of garage door travel limits will interfere with proper operation of safety reversal system.
- After ANY adjustments are made, the safety reversal system **MUST** be tested. Door **MUST** reverse on contact with 1-1/2" (3.8 cm) high object (or 2x4 laid flat) on floor.

## ! CAUTION

To prevent damage to vehicles, be sure fully open door provides adequate clearance.

## 1 - PROGRAM THE TRAVEL

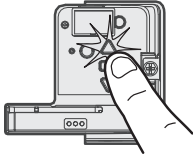
### **WARNING**

Without a properly installed safety reversal system, persons (particularly small children) could be **SERIOUSLY INJURED** or **KILLED** by a closing garage door.

- Incorrect adjustment of garage door travel limits will interfere with proper operation of safety reversal system.
- After ANY adjustments are made, the safety reversal system **MUST** be tested. Door **MUST** reverse on contact with 1-1/2" (3.8 cm) high object (or 2x4 laid flat) on floor.

**Note:** While programming the travel, the UP and DOWN buttons can be used to move the door as needed. During the Automatic Force Setup, the door will automatically open and close.

1 Press and hold the Adjustment Button until the UP Button

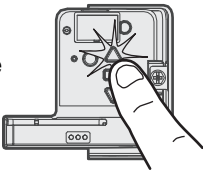


begins to flash and/or a beep is heard. The Safety Reversing Sensors will be disconnected during the Program the Travel process.

2 Press and hold the UP Button until the door is in the desired UP position.



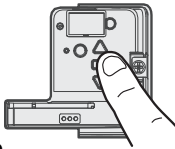
3 Once the door is in the desired UP position press and release the Adjustment Button. The garage door opener lights will flash twice and the DOWN Button will begin to flash.



4 Press and hold the DOWN button until the door is in the desired DOWN position.



5 Once the door is in the desired DOWN position press and release the Adjustment Button. The garage door opener lights will flash twice. Program the Travel is now complete.



If the garage door opener lights flash 5 times, then programming has timed out and the Travel Limits have not been set. Please restart the Program the Travel process.

## 2 - AUTOMATIC FORCE SET UP

Once both the up and down positions have been manually set, the Safety Reversing Sensors will reconnect and become operational. Then, the opener will enter a force-sensing operation by automatically moving the door open and close. The garage door opener will sound an audible and visual alert before automatically opening and closing the door. The garage door opener will beep three times, confirming that the Automatic Force Setup completed successfully. Adjustment is complete.

If you hear one long beep after the door attempts to move, then the Automatic Force Set Up has not completed successfully. Please start over at step 1 of Program the Travel.



### 3 - TEST THE SAFETY REVERSAL SYSTEM

#### WARNING

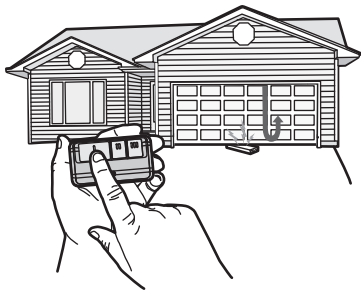
Without a properly installed safety reversal system, persons (particularly small children) could be SERIOUSLY INJURED or KILLED by a closing garage door.

- Safety reversal system MUST be tested every month.
- After ANY adjustments are made, the safety reversal system MUST be tested. Door MUST reverse on contact with 1-1/2" (3.8 cm) high object (or 2x4 laid flat) on the floor.

1 With the door fully open, place a 1-1/2 inch (3.8 cm) board (or a 2x4 laid flat) on the floor, centered under the garage door.



2 Press the remote control push button to close the door. The door MUST reverse when it makes contact with the board.



If the door stops but does not reverse:

1. Repeat Program the Travel (see Adjustment Step 1);
2. Repeat the Safety Reversal test.

If the test continues to fail, call a trained door systems technician.

### 4 - TEST THE PROTECTOR SYSTEM®

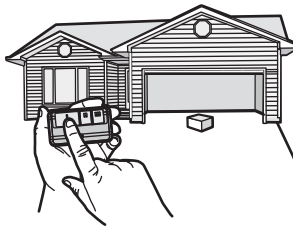
#### WARNING

Without a properly installed safety reversing sensor, persons (particularly small children) could be SERIOUSLY INJURED or KILLED by a closing garage door.

1 Open the door. Place an obstruction in the path of the door.



2 Press the remote control push button to close the door. The door will not move more than an inch (2.5 cm).



The garage door opener will not close from a remote control if the LED in either safety reversing sensor is off (alerting you to the fact that the sensor is misaligned or obstructed).

If the garage door opener closes the door when the safety reversing sensor is obstructed (and the sensors are no more than 6 inches [15 cm] above the floor), call for a trained door systems technician.

# BATTERY BACKUP MODEL CMXEOCG982

## INSTALL THE BATTERY

### WARNING

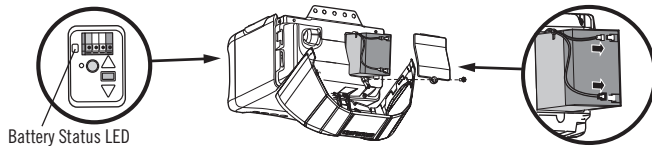
To reduce the risk of FIRE or INJURY to persons:

- Disconnect ALL electric and battery power BEFORE performing ANY service or maintenance.
- Use only battery part # G4228 for replacement battery.
- DO NOT dispose of battery in fire. Battery may explode. Check with local codes for disposal instructions.

### CAUTION

ALWAYS wear protective gloves and eye protection when changing the battery or working around the battery compartment.

1. Unplug the garage door opener.
2. Open the light lens on the right side panel of the garage door opener. Use a Phillips head screwdriver to remove the battery cover on the garage door opener.
3. Partially insert the battery into the battery compartment with the terminals facing out.
4. Connect red (+) and black (-) wires from the garage door opener to the corresponding terminals on the battery.
5. Replace the battery cover.
6. Plug in the garage door opener.
7. Wait for the green Battery Status LED to start flashing before proceeding to test the battery.



## TEST THE BATTERY

1. Unplug the garage door opener. The battery status LED will either glow solid orange indicating opener is operating on battery power or will flash indicating low battery power.  
**NOTE: Make sure the garage door opener is unplugged.**
2. Open and close the door using the remote control or door control. The garage door opener may run slower if the battery is not fully charged. The battery will take 24 hours to fully charge.
3. Plug in the garage door opener. Verify the battery status LED is flashing green, indicating the battery is charging.

## CHARGE THE BATTERY

The battery charges when the garage door opener is plugged into a 110Vac electrical outlet that has power and requires 24 hours to fully charge. A fully charged battery supplies 12Vdc to the garage door opener for up to 24 hours of normal operation during an electrical power outage. After the electrical power has been restored, the battery will recharge within 24 hours. The battery will last approximately 1 to 2 years with normal usage. Instructions for replacement are provided with the battery. To obtain maximum battery life and prevent damage, disconnect the battery when the garage door opener is unplugged for an extended period of time, such as a summer or winter home.

**NOTE:** When the garage door opener is in battery backup mode the garage door opener lights, Timer-to-Close, and Remote Close features are unavailable.

## BATTERY STATUS LED

**NOTE:** The Battery Status LED is most visible with the garage door opener light off. Battery does not have to be fully charged to operate the garage door opener.

### GREEN LED:

All systems are normal.

- A solid green LED light indicates the battery is fully charged.
- A flashing green LED indicates the battery is being charged.

### ORANGE LED:

The garage door opener has lost power and is in battery backup mode.

- A solid orange LED with beep, sounding approximately every 2 seconds, indicates the garage door opener is operating on battery power.
- A flashing orange LED with beep, sounding every 30 seconds, indicates the battery is low.

### RED LED:

The garage door opener's 12V battery needs to be replaced.

- A solid red LED with beep, sounding every 30 seconds, indicates the 12V battery will no longer hold a charge and needs to be replaced. Please call for replacement battery to allow your system to operate during a power outage.

# myQ® SMARTPHONE CONTROL

## CONNECT WITH YOUR SMARTPHONE

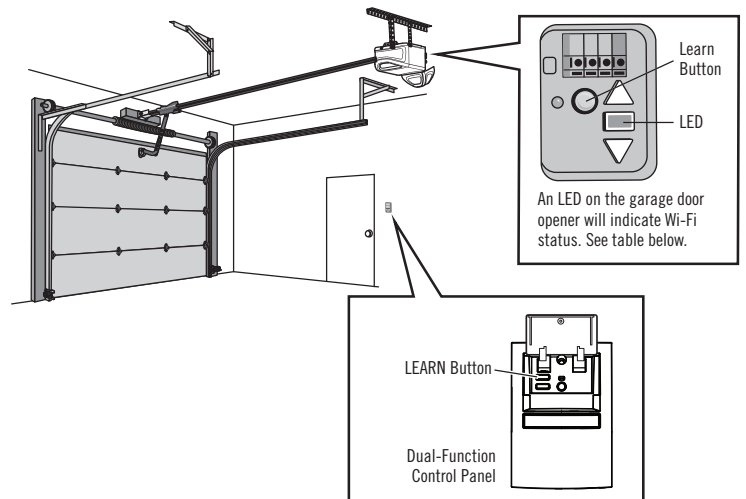
### YOU WILL NEED:

- Wi-Fi enabled smartphone, tablet or laptop
- Broadband Internet Connection
- Wi-Fi signal in the garage (**2.4 Ghz, 802.11b/g/n required**), see page 4
- Password for your home network (router's main account, not guest network)
- myQ® serial number located on the garage door opener

### DOWNLOAD THE myQ® APP TO SET UP AN ACCOUNT AND CONNECT

Open and close your door, get alerts and set schedules from anywhere. Connected smart garage door openers also receive software updates to ensure the opener has the latest operational features.

1. Download the myQ® App.
2. Set up an account and connect.



WI-FI STATUS	
LED	Definition
Blue	<p><b>Off</b> - Wi-Fi is not turned on.</p> <p><b>Blinking</b> - Garage door opener is in Wi-Fi learn mode.</p> <p><b>Solid</b> - Mobile device connected to the garage door opener.</p>
Blue and Green	<p><b>Blinking</b> - Attempting to connect to router.</p>
Green	<p><b>Blinking</b> - Attempting to connect to the Internet server.</p> <p><b>Solid</b> - Wi-Fi has been set up and garage door opener is connected to the internet.</p>

### NOTES:

*myQ® App control WILL NOT work if the garage door opener is operating on battery power.*

*To erase the Wi-Fi settings, see page 37.*



# OPERATION

## IMPORTANT SAFETY INSTRUCTIONS

### **WARNING**

### To reduce the risk of SEVERE INJURY or DEATH:

1. READ AND FOLLOW ALL WARNINGS AND INSTRUCTIONS.
2. ALWAYS keep remote controls out of reach of children. NEVER permit children to operate or play with garage door control push buttons or remote controls.
3. ONLY activate garage door when it can be seen clearly, it is properly adjusted, and there are no obstructions to door travel.
4. ALWAYS keep garage door in sight and away from people and objects until completely closed. NO ONE SHOULD CROSS THE PATH OF THE MOVING DOOR.
5. NO ONE SHOULD GO UNDER A STOPPED, PARTIALLY OPENED DOOR.
6. If possible, use emergency release handle to disengage trolley ONLY when garage door is CLOSED. Use caution when using this release with the door open. Weak or broken springs or unbalanced door could result in an open door falling rapidly and/or unexpectedly and increasing the risk of SEVERE INJURY or DEATH.
7. NEVER use emergency release handle unless garage doorway is clear of persons and obstructions.
8. NEVER use handle to pull garage door open or closed. If rope knot becomes untied, you could fall.
9. After ANY adjustments are made, the safety reversal system MUST be tested.
10. Safety reversal system MUST be tested every month. Garage door MUST reverse on contact with 1-1/2" (3.8 cm) high object (or a 2x4 laid flat) on the floor. Failure to adjust the garage door opener properly increases the risk of SEVERE INJURY or DEATH.
11. ALWAYS KEEP GARAGE DOOR PROPERLY BALANCED (see page 3). An improperly balanced door may NOT reverse when required and could result in SEVERE INJURY or DEATH.
12. ALL repairs to cables, spring assemblies and other hardware, ALL of which are under EXTREME tension, MUST be made by a trained door systems technician.
13. ALWAYS disconnect electric and battery power to garage door opener BEFORE making ANY repairs or removing covers.
14. This operator system is equipped with an unattended operation feature. The door could move unexpectedly. NO ONE SHOULD CROSS THE PATH OF THE MOVING DOOR.
15. DO NOT install on a one-piece door if using devices or features providing unattended close. Unattended devices and features are to be used ONLY with sectional doors.

### **16. SAVE THESE INSTRUCTIONS.**

## FEATURES

Your garage door opener is equipped with features to provide you with greater control over your garage door operation.

### myQ® (DO NOT ENABLE ON ONE-PIECE DOORS)

myQ® technology uses a 900 MHz signal to provide two-way communication between the garage door opener and myQ® enabled accessories. Your garage door opener is compatible with up to 8 myQ® accessories.

### FOR MODELS CMXE0CG772 AND CMXE0CG982 TIMER-TO-CLOSE (DO NOT ENABLE ON ONE-PIECE DOORS)

The Timer-to-Close feature automatically closes the door after a specified time period that can be adjusted using the door control. Prior to the door closing there will be an audible and visual alert.

### REMOTE CONTROLS AND DOOR CONTROLS

Your garage door opener has already been programmed at the factory to operate with your remote control, which changes with each use, randomly accessing over 100 billion new codes.

myQ® Accessories	MEMORY CAPACITY
Remote Controls	Up to 8
Door Controls	Up to 2 myQ® door controls
Wireless Keypads	Up to 1

### THE SAFETY REVERSAL SYSTEM

When properly connected and aligned, the safety reversing sensors will detect an obstruction in the path of the infrared beam. If an obstruction breaks the infrared beam while the door is closing, the door will stop and reverse to full open position. If the door is fully open, and the safety reversing sensors are not installed, or are misaligned, the door will not close from a remote control. However, you can close the door if you hold the button on the door control or wireless keypad until the door is fully closed. The safety reversing sensors do not effect the opening cycle.

## LIGHTS

The garage door opener light bulbs will turn on when the opener is initially plugged in; power is restored after interruption, or when the garage door opener is activated. The lights will turn off automatically after 4-1/2 minutes. An incandescent A19 light bulb (100 watt maximum) or for maximum energy efficiency a 26W (100W equivalent) compact fluorescent light (CFL) bulb may be used.

LED bulbs may cause remote control radio interference. Model CMXE0CG982 comes equipped with 2 LED bulbs. We recommend use of these bulbs as replacements so transmitter range is not reduced.

### FOR MODEL CMXE0CG982 BATTERY BACKUP

The battery backup system allows access in and out of your garage, even when the power is out. When the garage door opener is operating on battery power, the garage door opener will run slower, the light will not function, the Battery Status LED will glow solid orange, and a beep will sound approximately every 2 seconds.

### USING YOUR GARAGE DOOR OPENER

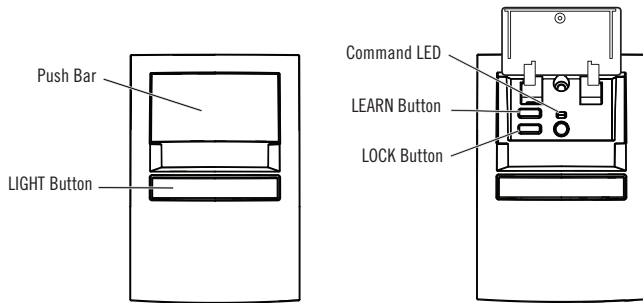
The garage door opener can be activated through a wall-mounted door control, remote control, wireless keypad or myQ® accessory.

When the door is closed and the garage door opener is activated the door will open. If the door makes contact with an obstruction while opening, the door will stop, opener beeps and lights flash 5 times. When the door is in any position other than closed and the garage door opener is activated, the door will close. If the garage door makes contact with an obstruction while closing, the door will reverse, opener beeps and lights flash 5 times. However, you can close the door if you hold the button on the door control or wireless keypad until the door is fully closed.

The safety reversing sensors do not affect the opening cycle. The safety reversing sensor must be connected and aligned correctly before the garage door opener will move in the down direction.

## DUAL-FUNCTION CONTROL PANEL MODEL CMXEOCG572

**SYNCHRONIZE THE DOOR CONTROL:** To synchronize the door control to the garage door opener, press the push bar until the garage door opener activates (it may take up to 3 presses). Test the door control by pressing the push bar; each press of the push bar will activate the garage door opener.



**PUSH BAR:** Press the push bar to open or close the door.

**LIGHT BUTTON:** Press the LIGHT button to turn the garage door opener lights on or off. When the lights are turned on they will stay on until the LIGHT button is pressed again, or until the garage door opener is activated. Once the garage door opener is activated the lights will turn off after the specified period of time (the factory default is 4-1/2 minutes). The LIGHT button will not control the lights when the door is in motion.

To change the amount of time the lights stay on:

Press and hold the LOCK button (approximately 10 seconds) until the garage door opener lights flash. The time interval is indicated by the number of times the garage door opener lights flash:

- 1 flash is 1-1/2 minutes
- 2 flashes is 2-1/2 minutes
- 3 flashes is 3-1/2 minutes
- 4 flashes is 4-1/2 minutes

To cycle through the time intervals repeat the step above. If the push bar LED is continuously blinking, the LOCK feature needs to be turned off.

**LEARN BUTTON:** Any compatible remote control, wireless keypad, or myQ® devices can be programmed to the garage door using the LEARN button.

**LOCK:** Prevents the garage door opener from being activated by remote controls while still allowing activation from the door control and wireless keypad.

Turn ON:

Press and hold the LOCK button for 2 seconds. The command LED will flash as long as the lock feature is on.

Turn OFF:

Press and hold the LOCK button for 2 seconds. The command LED will stop flashing and normal operation will resume.

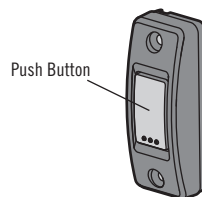
### TIMER-TO-CLOSE (DO NOT enable on one-piece doors)

The Timer-to-Close feature is not available on all door controls. Below is a list of door controls with the Timer-to-Close feature:

The Timer-to-Close feature automatically closes the garage door after a specified time period. **DO NOT enable TTC if operating a one-piece door. TTC is to be used ONLY with sectional doors.** Factory default is set to off. The garage door opener will beep and the lights will flash before closing the door. The TTC feature will deactivate if the garage door encounters an obstruction twice; or the safety reversing sensors are incorrectly installed. The garage door will reverse open and WILL NOT close until the obstructions are clear or the safety reversing sensors are correctly installed. When the obstruction has been cleared or the safety reversing sensors have been aligned, the door will close when the garage door opener is activated. TTC WILL NOT work if the garage door opener is operating by battery power or if the safety reversing sensors are misaligned. This feature is NOT intended to be the primary method of closing the door. **A wireless keypad should be installed in the event of an accidental lock out when using this feature.**

## DOOR CONTROL MODEL CMXEOCG322

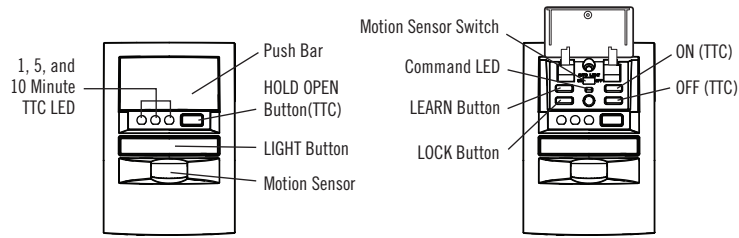
**SYNCHRONIZE THE DOOR CONTROL:** To synchronize the door control to the garage door opener, press the push button until the garage door opener activates (it may take up to 3 presses).



# MOTION DETECTING CONTROL PANEL

## MODELS CMXEOCG772 AND CMXEOCG982

**SYNCHRONIZE THE DOOR CONTROL:** To synchronize the door control to the garage door opener, press the push bar until the garage door opener activates (it may take up to 3 presses). Test the door control by pressing the push bar; each press of the push bar will activate the garage door opener.



**PUSH BAR:** Press the push bar to open or close the door.

**LIGHT BUTTON:** Press the LIGHT button to turn the garage door opener lights on or off. When the lights are turned on they will stay on until the LIGHT button is pressed again, or until the garage door opener is activated. Once the garage door opener is activated the lights will turn off after the specified period of time (the factory default is 4-1/2 minutes). The LIGHT button will not control the lights when the door is in motion.

To change the amount of time the lights stay on:

Press and hold the LOCK button (approximately 10 seconds) until the garage door opener lights flash. The time interval is indicated by the number of times the garage door opener lights flash:

- 1 flash is 1-1/2 minutes
- 2 flashes is 2-1/2 minutes
- 3 flashes is 3-1/2 minutes
- 4 flashes is 4-1/2 minutes

To cycle through the time intervals repeat the step above. If the push bar LED is continuously blinking, the LOCK feature needs to be turned off.

**LEARN BUTTON:** Any compatible remote control, wireless keypad, or myQ® devices can be programmed to the garage door using the LEARN button.

**MOTION SENSOR:** The motion sensor automatically turns on the garage door opener lights when motion is detected. The lights come on for the set period of time, and then shut off. If using the garage door opener light as a work light disable the motion sensor, otherwise the lights may turn off automatically if you are beyond the range of the motion sensor.

The motion sensor switch turns the motion sensor on or off.

**LOCK:** Prevents the garage door opener from being activated by remote controls while still allowing activation from the door control and wireless keypad.

Turn ON:

Press and hold the LOCK button for 2 seconds. The command LED will flash as long as the lock feature is on.

Turn OFF:

Press and hold the LOCK button for 2 seconds. The command LED will stop flashing and normal operation will resume.

**TIMER-TO-CLOSE (TTC) (Factory default is set to off):** The Timer-to-Close feature automatically closes the door after a specified time period and can be adjusted using the door control. DO NOT enable TTC if operating a one-piece door. TTC is to be used ONLY with sectional doors. The garage door opener will beep and the lights will flash before closing the door. The TTC feature will deactivate if the garage door encounters an obstruction twice; or the safety reversing sensors are incorrectly installed. The garage door will reverse open and WILL NOT close until the obstructions are clear or the safety reversing sensors are correctly installed. When the obstruction has been cleared or the safety reversing sensors have been aligned, the door will close when the garage door opener is activated. TTC WILL NOT work if the garage door opener is operating by battery power or if the safety reversing sensors are misaligned. This feature is NOT intended to be the primary method of closing the door. A wireless keypad should be installed in the event of an accidental lock out when using this feature.

To turn TTC on or off or to set the TTC time interval:

Turn ON:

1. Press and hold the ON button until one of the TTC LEDs light up.
2. Then press the ON button again to cycle through the time interval options. The TTC time interval can be set to 1, 5, and 10 minutes (the corresponding TTC LED will light for each time interval). The garage door opener light bulbs will blink as confirmation. Once the TTC has been set and the door is open, the TTC LED for the selected time interval will blink and begin to count down to close the door.

Turn OFF:

1. Press and hold the OFF button until all TTC LEDs turn off and a beep is heard from the garage door opener.

Temporarily hold door open (suspend TTC):

1. Press and release the HOLD OPEN button.
2. Press the HOLD OPEN button again to resume normal TTC operation.

# REMOTE CONTROL AND WIRELESS KEYPAD

Pre-programmed remote control included, no need to program the remote.

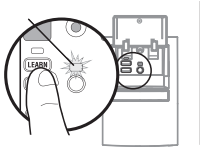
To add or reprogram a remote control, follow the instructions below.

## PROGRAM USING THE DOOR CONTROL

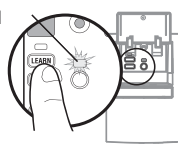
1. Press the LEARN button on the door control to enter Programming Mode.
2. Press the LEARN button again, the LED will flash once.
3. **Remote Control:** Press the button on the remote control that you wish to operate your garage door.  
**Wireless Keypad:** Enter a 4-digit personal identification number (PIN) of your choice on the wireless keypad. Then press the ENTER button.

The garage door opener lights will flash (or two clicks will be heard) when the code has been programmed.

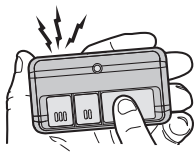
1 The command LED will flash once.



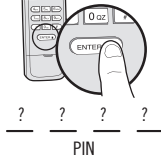
2 The command LED will flash once again.



3



OR



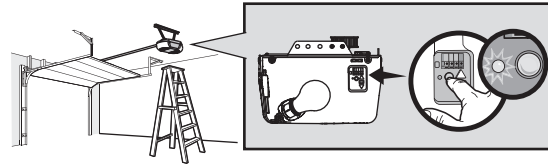
## TO ERASE THE MEMORY

### ERASE ALL REMOTE CONTROLS AND WIRELESS KEYPADS

1. Press and hold the LEARN button on garage door opener until the learn LED goes out (approximately 6 seconds). All remote control and wireless keypad codes are now erased. Reprogram any accessory you wish to use.

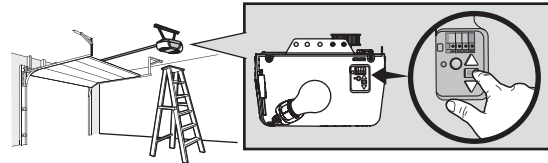
### ERASE ALL DEVICES (INCLUDING myQ® ENABLED ACCESSORIES)

1. Press and hold the LEARN button on garage door opener until the learn LED goes out (approximately 6 seconds).
2. Immediately press and hold the LEARN button again until the learn LED goes out. All codes are now erased. Reprogram any accessory you wish to use.



### ERASE THE CONNECTION FROM GARAGE DOOR OPENER TO HOME WI-FI NETWORK

1. Press and hold the black adjustment button on the garage door opener until 3 beeps are heard (Approximately 6 seconds).



## TO OPEN THE DOOR MANUALLY

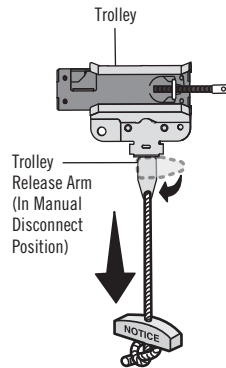
### WARNING

To prevent possible **SERIOUS INJURY** or **DEATH** from a falling garage door:

- If possible, use emergency release handle to disengage trolley **ONLY** when garage door is **CLOSED**. Weak or broken springs or unbalanced door could result in an open door falling rapidly and/or unexpectedly.
- **NEVER** use emergency release handle unless garage doorway is clear of persons and obstructions.
- **NEVER** use handle to pull door open or closed. If rope knot becomes untied, you could fall.

## DISCONNECT THE TROLLEY

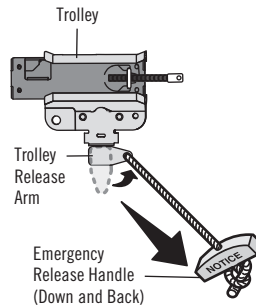
1. The door should be fully closed if possible.
2. Pull down on the emergency release handle so the trolley release arm snaps to the vertical position. The door can now be raised and lowered as often as necessary.



**Lockout position  
(Manual disconnect)**

## TO RE-CONNECT THE TROLLEY

1. Pull the emergency release handle toward the garage door opener so the trolley release arm snaps to the horizontal position. The trolley will reconnect on the next UP or DOWN operation, either manually or by using the door control or remote control.



**To reconnect**

## THE REMOTE CONTROL BATTERY

### WARNING

To prevent possible **SERIOUS INJURY** or **DEATH**:

- **NEVER** allow small children near batteries.
- If battery is swallowed, immediately notify doctor.

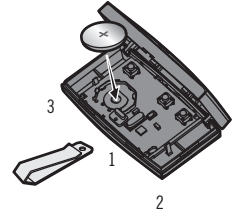
To reduce risk of fire, explosion or chemical burn:

- Replace **ONLY** with 3V CR2032 coin batteries.
- **DO NOT** recharge, disassemble, heat above 212°F (100°C) or incinerate.

The lithium battery should produce power for up to 3 years.

Pry open the case first in the middle (1), then at each side (2 and 3) with the visor clip.

To replace battery, use the visor clip or screwdriver blade to pry open the case as shown. Insert battery positive side up (+).



Replace the battery with only 3V CR2032 coin cell batteries. Dispose of old battery properly.

## CARE OF YOUR OPENER MAINTENANCE SCHEDULE

### *Every month*

- Manually operate door. If it is unbalanced or binding, call a trained door systems technician.
- Check to be sure door opens and closes fully. Adjust if necessary, see page 28.
- Test the safety reversal system. Adjust if necessary, see page 30.

### *Every year*

- Oil door rollers, bearings and hinges. The garage door opener does not require additional lubrication. Do not grease the door tracks.
- Test the battery backup and consider replacing the battery to ensure the garage door opener will operate during an electrical power outage, see page 31 to test the battery backup.

**NOTICE:** This device complies with part 15 of the FCC rules and Innovation, Science and Economic Development Canada license-exempt RSSs. Operation is subject to the following two conditions: (1) this device may not cause harmful interference, and (2) this device must accept any interference received, including interference that may cause undesired operation.

Any changes or modifications not expressly approved by the party responsible for compliance could void the user's authority to operate the equipment.

This device must be installed to ensure a minimum 20 cm (8 in.) distance is maintained between users/bystanders and device.

This device has been tested and found to comply with the limits for a Class B digital device, pursuant to part 15 of the FCC rules and Industry Canada ICES standard. These limits are designed to provide reasonable protection against harmful interference in a residential installation. This equipment generates, uses and can radiate radio frequency energy and, if not installed and used in accordance with the instructions, may cause harmful interference to radio communications. However, there is no guarantee that interference will not occur in a particular installation. If this equipment does cause harmful interference to radio or television reception, which can be determined by turning the equipment off and on, the user is encouraged to try to correct the interference by one or more of the following measures:

- Reorient or relocate the receiving antenna.
- Increase the separation between the equipment and receiver.
- Connect the equipment into an outlet on a circuit different from that to which the receiver is connected.
- Consult the dealer or an experienced radio/TV technician for help.

# TROUBLESHOOTING

## DIAGNOSTIC CHART

Your garage door opener is programmed with self-diagnostic capabilities. The UP and DOWN arrows on the garage door opener flash the diagnostic codes.

UP ARROW FLASH(ES)	DOWN ARROW FLASH(ES)	SYMPTOM	SOLUTION
1	1	The garage door opener will not close.	Safety reversing sensors are not installed, connected, or wires may be cut. Inspect sensor wires for a disconnected or cut wire.
1	2	The garage door opener will not close.	There is a short or reversed wire for the safety reversing sensors. Inspect safety sensor wire at all staple and connection points, replace wire or correct as needed.
1	3	The door control will not function.	The wires for the door control are shorted or the door control is faulty. Inspect door control wires at all staple and connection points, replace wire or correct as needed.
1	4	The garage door opener will not close.	Safety reversing sensors are misaligned or were momentarily obstructed. Realign both sensors to ensure both LEDs are steady and not flickering. Make sure nothing is hanging or mounted on the door that would interrupt the sensor's path while closing.
1	5	Door moves 6-8" (15-20 cm) stops or reverses.	Manually open and close the door. Check for binding or obstructions, such as a broken spring or door lock, correct as needed. Check wiring connections at travel module and at the logic board. Replace travel module if necessary.
		No movement, only a single click.	Manually open and close the door. Check for binding or obstructions, such as a broken spring or door lock, correct as needed. Replace logic board if necessary.
		Opener hums for 1-2 seconds no movement.	Manually open and close the door. Check for binding or obstructions, such as a broken spring or door lock, correct as needed. Replace motor if necessary.
1	6	Door coasts after it has come to a complete stop.	Program travel to coasting position or have door balanced by a trained door systems technician.
2	1-5	No movement, or sound.	Replace logic board.
3	2	Unable to set the travel or retain position.	Check travel module for proper assembly, replace if necessary.
3	3	The battery status LED is constantly flashing green.	Battery backup charging circuit error, replace the logic board.
4	1-4	Door is moving, stops or reverses. Opener beeps and lights flash.	Manually open and close the door. Check for binding or obstructions, such as a broken spring or door lock, correct as needed. If the door is binding or sticking, contact a trained door systems technician. If door is not binding or sticking, attempt to reprogram travel (refer to page 29).
4	5	Opener runs approximately 6-8" (15-20 cm), stops and reverses.	Communication error to travel module. Check travel module connections, replace travel module if necessary.
4	6	The garage door opener will not close.	Safety reversing sensors are misaligned or were momentarily obstructed. Realign both sensors to ensure both LEDs are steady and not flickering. Make sure nothing is hanging or mounted on the door that would interrupt the sensor's path while closing.

These are additional troubleshooting issues that will not show up in the diagnostic codes:

### My remote control will not activate the garage door:

- Verify the lock feature is not activated on the door control.
- Reprogram the remote control.
- If the remote control will still not activate the door check the diagnostic codes to ensure the garage door opener is working properly.

### Cannot connect garage door opener to home Wi-Fi network:

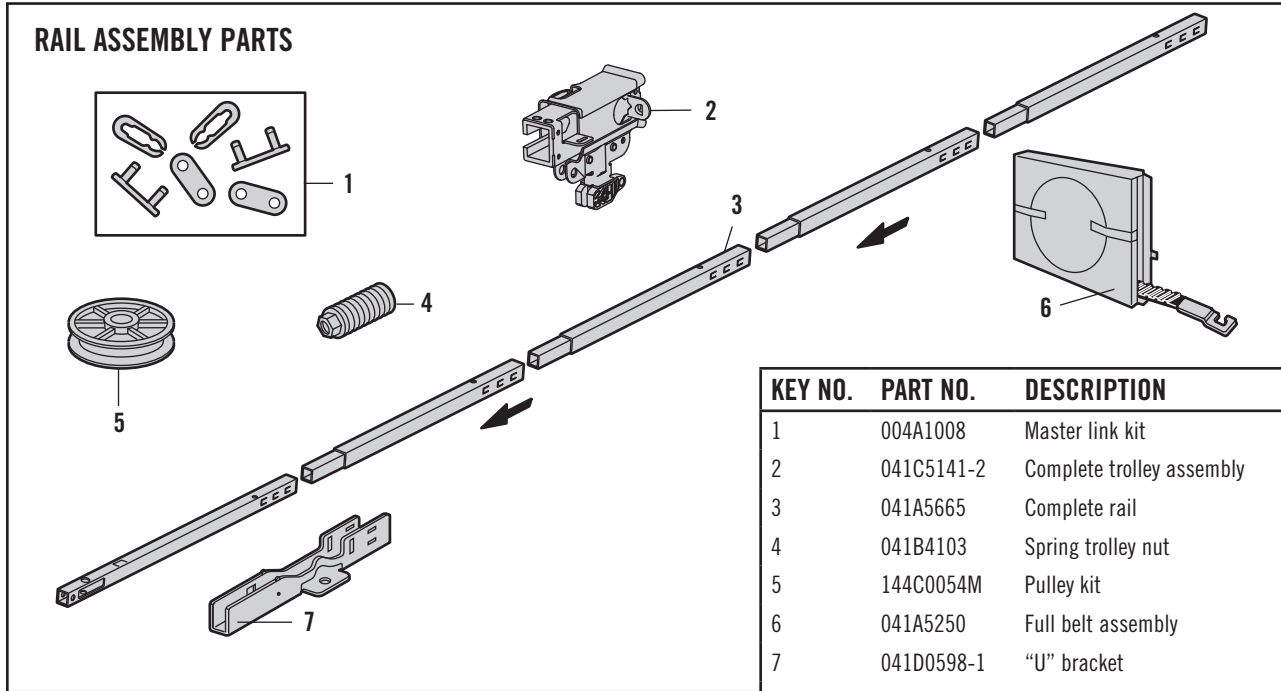
- Ensure the CRAFTSMAN serial number was entered correctly and try again. The CRAFTSMAN serial number uses the characters A-F and 0-9 only.
- If your black adjustment button is not solid green go to [support.chamberlaingroup.com](http://support.chamberlaingroup.com).

### My neighbor's remote control opens my garage door:

Erase the memory from your garage door opener and reprogram the remote control(s).

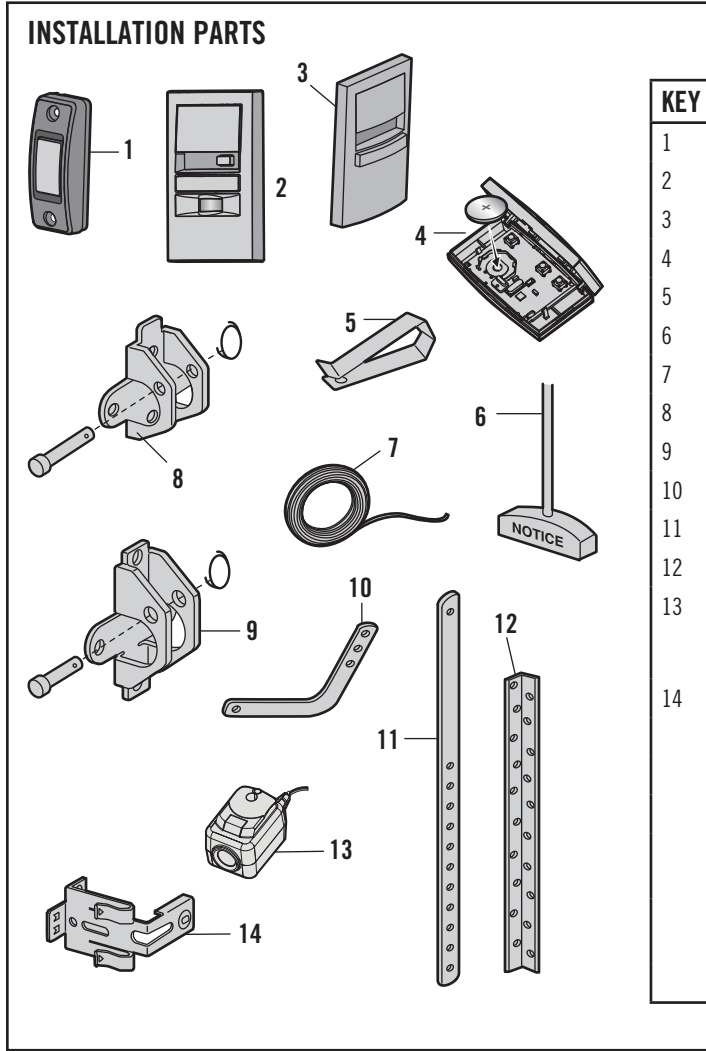
# REPAIR PARTS

## RAIL ASSEMBLY PARTS



KEY NO.	PART NO.	DESCRIPTION
1	004A1008	Master link kit
2	041C5141-2	Complete trolley assembly
3	041A5665	Complete rail
4	041B4103	Spring trolley nut
5	144C0054M	Pulley kit
6	041A5250	Full belt assembly
7	041D0598-1	"U" bracket
<b>NOT SHOWN</b>		
	041A7276	Wear pads

## INSTALLATION PARTS



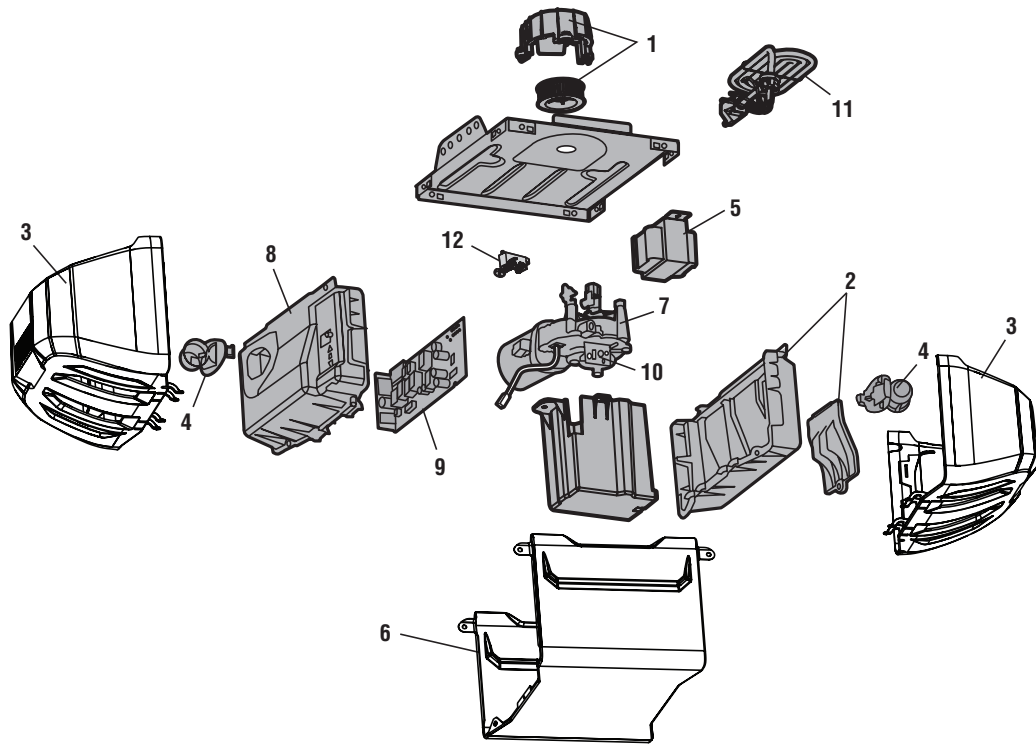
KEY NO.	PART NO.	DESCRIPTION
1	041A7367-7	Door Control (Model CMXE0CG322)
2	041-0126	Motion Detecting Control Panel
3	041A9501	Dual-Function Control Panel (Model CMXE0CG572)
4	K010A0020	3V CR2032 lithium battery
5	K029B0137	Visor clip
6	041A2828	Emergency release rope and handle assembly
7	041B4494-1	2-Conductor bell wire: white and white/red
8	041A5047-2	Header bracket with clevis pin and fastener
9	041A5047-1	Door bracket with clevis pin and fastener
10	041B0035B	Curved door arm section
11	4178B0034B	Straight door arm section
12	K012B0776	Hanging bracket
13	041-0136	Safety reversing sensor kit (receiving and sending sensors) with 2-conductor bell wire attached. The reversing sensor has a sticker on the back.
14	041-0155-000	Safety reversing sensor bracket
<b>NOT SHOWN</b>		
	K010A0016	9V battery for wireless keypad
	041A6357-1	Battery Backup
	041A5281-1	Extension Brackets (optional) for safety reversing sensors
	041A7920-2	Installation hardware bag (includes hardware listed on page 9)
	114-5501	Owner's manual



# REPAIR PARTS

MODELS CMXE0CG572, CMXE0CG772, AND CMXE0CG982

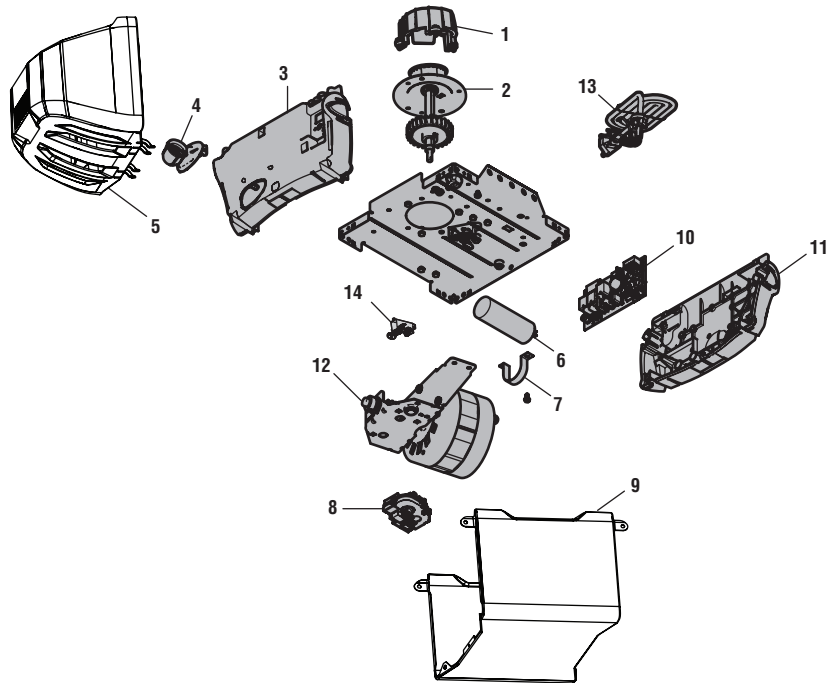
## MOTOR UNIT ASSEMBLY PARTS



KEY NO.	PART NO.	DESCRIPTION	KEY NO.	PART NO.	DESCRIPTION
1	041C1751	Sprocket and Sprocket Cover	9	050DCTB	Receiver Logic Board
2	041-0125	End Panel with Light Socket (Models CMXE0CG572 and CMXE0CG772)	10	041D8071-4	Travel Module
	041-0158	End Panel with Light Socket (Model CMXE0CG982)	11	041B4245-1	Line Cord
3	041-0107	Light Lens	12	041A3150	Terminal Block
4	041C0279	Light Socket			
5	041D0277-1	Transformer (Model CMXE0CG982)		<b>NOT SHOWN</b>	
	041D0277-2	Transformer (Models CMXE0CG572 and CMXE0CG772)		041-0120	LED Bulb (Model CMXE0CG982)
6	041-0178	Cover		041D8255	Wire Harness
7	041D8006-1	Motor with Travel Module			
8	041-0143	End Panel for Receiver Logic Board			

# REPAIR PARTS    MODEL CMXE0CG322

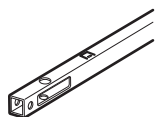
## MOTOR UNIT ASSEMBLY PARTS



KEY NO.	PART NO.	DESCRIPTION	KEY NO.	PART NO.	DESCRIPTION
1	041A4371	Sprocket and Sprocket Cover	9	041-0108	Cover
2	041A4885-4	Gear/Shaft/Drive Pulley Assembly	10	050ACTWF	Logic Board
3	041-0125	End Panel with Light Socket	11	041-0109	End Panel for Receiver Logic Board
4	041C0279	Light Socket	12	041D7440	Motor with Travel Module
5	041-0107	Light Lens	13	041B4245-1	Line Cord
6	K030B0532-1	Capacitor	14	041A3150	Terminal Block
7	K012A0373	Capacitor Bracket			
8	041D7742-7	Travel Module		<b>NOT SHOWN</b>	
				041A7946	Wire Harness

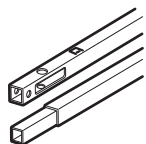
# ACCESSORIES

## CMXZDCG498 8 Foot (2.4 m) Rail Extension:



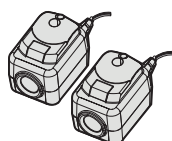
To allow an 8 foot (2.4 m) door to open fully.

## CMXZDCG4910 10 Foot (3 m) Rail Extension:



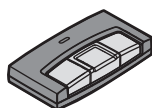
To allow a 10 foot (3 m) door to open fully.

## CMXZDCG482 Safety Sensors:



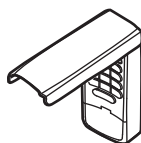
Safety reversing sensor kit (receiving and sending sensors) with 2-conductor bell wire attached.

## CMXZDCG453 Remote Control:



Works with ALL CRAFTSMAN openers 1993-Present. Includes visor clip.

## CMXZDCG440 Wireless Keypad:



For use outside of the home to enable access to the garage using a 4-digit PIN. Works with ALL CRAFTSMAN openers 1993-Present.

# WARRANTY

The Chamberlain Group, Inc.® (“Seller”) warrants to the first retail purchaser of this product, for the residence in which this product is originally installed, that it is free from defects in materials and/or workmanship for a specific period of time as defined below (the “Warranty Period”). The warranty period commences from the date of purchase.

WARRANTY PERIOD				
Model	Parts	Motor	Accessories	Belt
CMXE0CG322	1 year	6 years	1 year	5 years
CMXE0CG572	1 year	15 years	1 year	10 years
CMXE0CG772	5 years	Lifetime	1 year	Lifetime
CMXE0CG982	5 years	Lifetime	1 year	Lifetime

The proper operation of this product is dependent on your compliance with the instructions regarding installation, operation, and maintenance and testing. Failure to comply strictly with those instructions will void this limited warranty in its entirety.

If, during the limited warranty period, this product appears to contain a defect covered by this limited warranty, call 1-888-331-4569, toll free, before dismantling this product. You will be advised of disassembly and shipping instructions when you call. Then send the product or component, pre-paid and insured, as directed to our service center for warranty repair. Please include a brief description of the problem and a dated proof-of-purchase receipt with any product returned for warranty repair. Products returned to Seller for warranty repair, which upon receipt by Seller are confirmed to be defective and covered by this limited warranty, will be repaired or replaced (at Seller’s sole option) at no cost to you and returned pre-paid. Defective parts will be repaired or replaced with new or factory-rebuilt parts at Seller’s sole option. [You are responsible for any costs incurred in removing and/or reinstalling the product or any component].

**ALL IMPLIED WARRANTIES FOR THE PRODUCT, INCLUDING BUT NOT LIMITED TO ANY IMPLIED WARRANTIES OF MERCHANTABILITY AND FITNESS FOR A PARTICULAR PURPOSE, ARE LIMITED IN DURATION TO THE APPLICABLE LIMITED WARRANTY PERIOD SET FORTH ABOVE FOR THE RELATED COMPONENT(S), AND NO IMPLIED WARRANTIES WILL EXIST OR APPLY AFTER SUCH PERIOD. Some States and Provinces do not allow limitations on how long an implied warranty lasts, so the above limitation may not apply to you. THIS LIMITED WARRANTY DOES NOT COVER NON-DEFECT DAMAGE, DAMAGE CAUSED BY IMPROPER INSTALLATION, OPERATION OR CARE (INCLUDING, BUT NOT LIMITED TO ABUSE, MISUSE, FAILURE TO PROVIDE REASONABLE AND NECESSARY MAINTENANCE, UNAUTHORIZED REPAIRS OR ANY ALTERATIONS TO THIS PRODUCT), LABOR CHARGES FOR REINSTALLING A REPAIRED OR REPLACED UNIT, REPLACEMENT OF CONSUMABLE ITEMS (E.G., BATTERIES IN REMOTE CONTROL TRANSMITTERS AND LIGHT BULBS), OR UNITS INSTALLED FOR NON-RESIDENTIAL USE. THIS LIMITED WARRANTY DOES NOT COVER ANY PROBLEMS WITH, OR RELATING TO, THE GARAGE DOOR OR GARAGE DOOR HARDWARE, INCLUDING BUT NOT LIMITED TO THE DOOR SPRINGS, DOOR ROLLERS, DOOR ALIGNMENT OR HINGES. THIS LIMITED WARRANTY ALSO DOES NOT COVER ANY PROBLEMS CAUSED BY INTERFERENCE. UNDER NO CIRCUMSTANCES SHALL SELLER BE LIABLE FOR CONSEQUENTIAL, INCIDENTAL OR SPECIAL DAMAGES ARISING IN CONNECTION WITH USE, OR INABILITY TO USE, THIS PRODUCT. IN NO EVENT SHALL SELLER’S LIABILITY FOR BREACH OF WARRANTY, BREACH OF CONTRACT, NEGLIGENCE OR STRICT LIABILITY EXCEED THE COST OF THE PRODUCT COVERED HEREBY. NO PERSON IS AUTHORIZED TO ASSUME FOR US ANY OTHER LIABILITY IN CONNECTION WITH THE SALE OF THIS PRODUCT.**

Some states and provinces do not allow the exclusion or limitation of consequential, incidental or special damages, so the above limitation or exclusion may not apply to you. This limited warranty gives you specific legal rights, and you may also have other rights, which vary from state to state and province to province.

# AUTOMATIC GARAGE DOOR OPENER SAFETY & MAINTENANCE GUIDE

## GARAGE DOOR OPENER SAFETY - AN AUTOMATIC DECISION

A garage door is the largest moving object in the home. An improperly adjusted garage door and opener can exert deadly force when the door closes - which could lead to entrapment of children or adults and subsequent injury or death.

Proper installation, operation, maintenance, and testing of the garage door and automatic opener are necessary to provide a safe, trouble-free system. Careless operation or allowing children to play with or use garage door opener controls are also dangerous situations that can lead to tragic results. A few simple precautions can protect your family and friends from potential harm. Please review the safety and maintenance tips in this guide carefully and keep it for reference. Check the operation of your garage door and opener to ensure they function in a safe and trouble-free manner. Be sure to read all Important Safety Information found in your garage door opener's manual as it provides more details and safety considerations than can be supplied with this guide.

## GARAGE DOOR OPENERS ARE NOT TOYS

Discuss garage door and opener safety with your children. Explain the danger of being trapped under the door.



**Stay away from a moving door.**



**Keep transmitters and remote controls out of reach of children.** Do not let children play with or use transmitters or other remote control devices.



**The wall-mounted push button should be out of reach of children,** at least 5 feet from the nearest standing surface and away from all moving parts. Mount and use the button where you can clearly see the closing garage door.



**Keep the door in sight until it completely closes** when using the wall-mounted push button or transmitter.

# ROUTINE MAINTENANCE CAN PREVENT TRAGEDIES

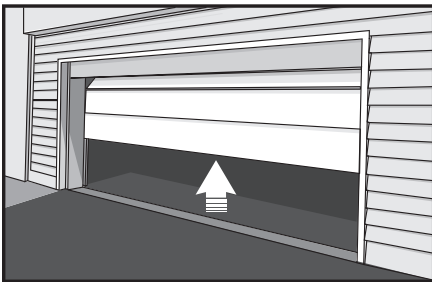
Make monthly inspection and testing of your garage door and opener system a part of your regular routine. Review your owner's manual for both the door and door opener. If you don't have the owner's manuals, contact the manufacturer(s) and request a copy for your specific model(s). Look for the opener model number on the back of the power unit.

**⚠ WARNING - SPRINGS ARE UNDER HIGH TENSION. ONLY QUALIFIED INDIVIDUALS SHOULD ADJUST THEM.**



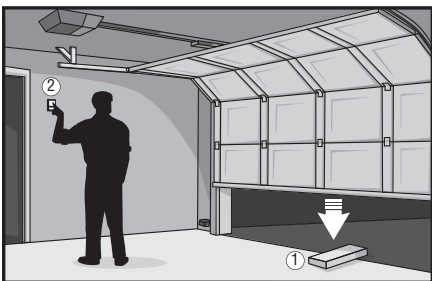
## Visually check the door and installation:

- Starting with the door in the closed position, use the manual disconnect on the opener to disconnect the door.
- Look for signs of wear or damage on hinges, rollers, springs, and door panels.
- These parts may require periodic lubrication. Check the owner's manual for suggested maintenance.
- If any signs of damage are evident, contact a trained door systems technician for assistance.
- Verify the photoeye height is no higher than 6" from the garage floor.



## Test the door for proper operation:

- Open and close the door manually using handles or suitable gripping points.
- The door should move freely and without difficulty.
- **The door should balance and stay partially open 3-4 feet above the floor.**
- If you detect any signs of improper operation, contact a trained door systems technician for assistance.



## Test the opener safety features:

- Reconnect the opener to the door using the manual disconnect and open the door.
- Place a 2x4 board flat in the path of the door (1) and try to close it (2). The door should stop when it comes in contact with the 2x4 and then reverse direction.
- Block the photoelectric sensor by waving an object in front of the sensor and attempt to close the door. The door should not close unless the wall-mounted push button is manually held during operation.
- If the opener does not perform as described, contact a trained door systems technician for assistance.







**CRAFTSMAN®**

**Product questions or problems?**

**1-888-331-4569**

**Customer Care Hot Line**

**Get answers to questions, troubleshoot problems,  
or order parts.**

To help us help you, register your product at [www.craftsman.com/registration](http://www.craftsman.com/registration)

CRAFTSMAN® is a registered trademark of Stanley Black & Decker, Inc., used under license.

© 2021 CRAFTSMAN

© 2021 The Chamberlain Group, Inc.



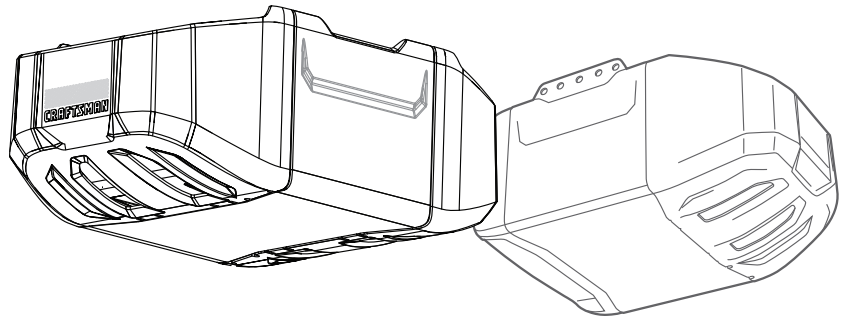
# Manuel d'utilisateur



## OUVRE-PORTE DE GARAGE INTELLIGENT

Pour usage résidentiel uniquement

### MODÈLES CMXEOCG322, CMXEOCG572, CMXEOCG772 et CMXEOCG982



LISEZ ET SUIVEZ TOUTES LES RÈGLES DE SÉCURITÉ ET LES INSTRUCTIONS D'UTILISATION AVANT LA PREMIÈRE UTILISATION DE CE PRODUIT.

FIXEZ LE MANUEL PRÈS DE LA PORTE DE GARAGE APRÈS L'INSTALLATION.

DES VÉRIFICATIONS PÉRIODIQUES DE L'OPÉRATEUR SONT NÉCESSAIRES POUR ASSURER UN FONCTIONNEMENT SÛR.

NE L'INSTALLEZ PAS SUR UNE PORTE MONOBLOC SI VOUS UTILISEZ DES DISPOSITIFS OU DES FONCTIONNALITÉS PERMETTANT UNE FERMETURE SANS SURVEILLANCE.

LES DISPOSITIFS ET FONCTIONNALITÉS SANS SURVEILLANCE DOIVENT ÊTRE UTILISÉS UNIQUEMENT AVEC DES PORTES SECTIONNELLES. VOIR PAGE 3.

PRENEZ NOTE DU NUMÉRO DE SÉRIE MYQ® INDIQUÉ SUR L'OUVRE-PORTE DE GARAGE :



# TABLE DES MATIÈRES

<b>INTRODUCTION</b> .....	<b>3</b>	1 - Programmez le déplacement .....	31
Examen des symboles de sécurité et des notes d'avertissement. ....	3	2 - Réglage de la force automatique .....	31
Fonctionnement sans surveillance .....	3	3 - Testez le système d'inversion de sécurité .....	32
Préparez votre porte de garage .....	3	4 - Testez le Protector System® .....	32
Outils nécessaires .....	4	<b>BATTERIE DE SECOURS</b> Modèle CMXEOCG982 .....	<b>33</b>
Testez l'intensité du signal Wi-Fi® dans votre garage .....	4	Installez la batterie de secours .....	33
Planification .....	5	Testez la batterie .....	33
Inventaire du carton .....	7	Chargez la batterie .....	33
Inventaire du matériel .....	8	DEL de statut de la batterie .....	33
<b>ASSEMBLAGE</b> .....	<b>9</b>	<b>COMMANDE PAR TÉLÉPHONE INTELLIGENT myQ®</b> .....	<b>34</b>
Assemblez le rail et installez le chariot .....	9	Connectez-vous avec votre téléphone intelligent .....	34
Fixez le rail au bloc moteur .....	9	<b>FONCTIONNEMENT</b> .....	<b>35</b>
Installez la poulie de tension .....	10	Consignes de sécurité importantes .....	35
Installez la courroie .....	11	Caractéristiques .....	36
Serrez la courroie .....	11	Panneau de commande à double fonctionModèle CMXEOCG572 .....	37
Installez le couvercle du pignon .....	12	Commande de porteModèle CMXEOCG322 .....	37
<b>INSTALLATION</b> .....	<b>12</b>	Panneau de commande de détection de mouvementModèles CMXEOCG772 et CMXEOCG982 .....	38
Instructions d'installation importantes .....	12	Télécommande et clavier sans fil .....	39
Déterminez l'emplacement du support de linteau .....	13	Pour effacer la mémoire .....	39
Installez le support de linteau .....	14	Pour ouvrir la porte manuellement .....	40
Fixez le rail au support de linteau .....	15	Batterie de la télécommande .....	40
Positionnez l'ouvre-porte .....	16	Entretien de votre ouvre-porte .....	40
Accrochez l'ouvre-porte .....	17	<b>DÉPANNAGE</b> .....	<b>41</b>
Installez l'éclairage .....	18	<b>PIÈCES DÉTACHÉES</b> .....	<b>43</b>
Fixez la corde et la poignée de déclenchement d'urgence ...	18	Pièces d'assemblage de rail .....	43
Fixez le support de la porte .....	19	Pièces d'installation .....	43
Connectez le bras de la porte au chariot .....	21	Pièces d'assemblage du bloc moteur .....	44
Fixez les étiquettes d'avertissement .....	22	<b>ACCESSOIRES</b> .....	<b>46</b>
Installer la commande de porte .....	23	<b>GARANTIE</b> .....	<b>46</b>
Installez le système d'inversion de sécurité .....	25	<b>SÉCURITÉ DE L'OUVRE-PORTE AUTOMATIQUE DE GARAGE ET GUIDE D'ENTRETIEN</b> .....	<b>48</b>
Exigences électriques .....	28		
Alignement des capteurs d'inversion de sécurité .....	28		
<b>RÉGLAGE</b> .....	<b>29</b>		
Introduction .....	29		
<b>RÉGLAGE</b> .....	<b>30</b>		
Introduction .....	30		

# INTRODUCTION

## EXAMEN DES SYMBOLES DE SÉCURITÉ ET DES NOTES D'AVERTISSEMENT.

Cet ouvre-porte de garage a été conçu et testé pour offrir un service sûr à condition qu'il soit installé, utilisé, entretenu et testé en stricte conformité avec les instructions et les avertissements de ce manuel.

### AVERTISSEMENT

Mécanique


### AVERTISSEMENT

Électrique

### ATTENTION

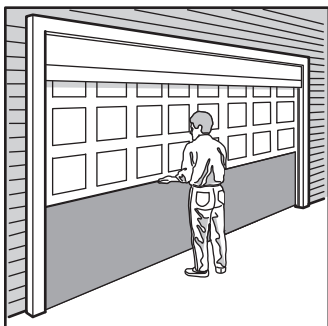
Lorsque vous voyez ces symboles de sécurité et notes d'avertissement aux pages suivantes, ils vous avertissent du risque de **blessures graves voire mortelles** si vous ne respectez pas les avertissements qu'ils accompagnent. Le danger peut provenir de quelque chose de mécanique ou d'un choc électrique. Lisez attentivement les avertissements.

Lorsque vous voyez ce mot d'avertissement aux pages suivantes, il vous avertit du risque que votre porte de garage et/ou l'ouvre-porte soit endommagé(e) si vous ne respectez pas les mises en garde qui l'accompagnent. Lisez-les attentivement.

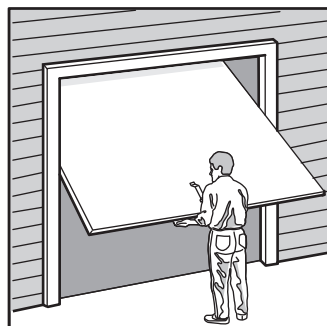
 **AVERTISSEMENT** : Ce produit peut vous exposer à des produits chimiques, dont le plomb, qui sont reconnus par l'État de Californie comme provoquant le cancer, des malformations congénitales ou d'autres problèmes de reproduction. Pour plus d'information, visitez [www.P65Warnings.ca.gov](http://www.P65Warnings.ca.gov)

## FONCTIONNEMENT SANS SURVEILLANCE

La fonction de minuterie de fermeture (TTC) et l'application myQ® sont des exemples de fermeture sans surveillance et doivent être utilisés **UNIQUEMENT** avec des portes sectionnelles. Tout dispositif ou fonction permettant à la porte de se fermer sans être dans le champ de vision de cette dernière est considéré comme une fermeture sans surveillance. La fonction de minuterie de fermeture (TTC) et tout autre appareil myQ® doivent être utilisés **UNIQUEMENT** avec des portes sectionnelles.



Porte sectionnelle



Porte monobloc

## PRÉPAREZ VOTRE PORTE DE GARAGE

### AVERTISSEMENT

Pour éviter d'éventuelles **BLESSURES GRAVES voire MORTELLES** :

- Appelez **TOUJOURS** un technicien qualifié en systèmes de porte si la porte de garage se coince, colle ou est déséquilibrée. Une porte de garage déséquilibrée risque de ne **PAS** s'inverser lorsque cela est nécessaire.
- N'essayez **JAMAIS** de desserrer, déplacer ou ajuster la porte de garage, les ressorts de porte, les câbles, les poulies, les supports ou leur matériel, qui sont **TOUS** sous une tension **EXTRÊME**.
- Désactivez **TOUS** les verrous et retirez **TOUTES** les cordes connectées à la porte de garage **AVANT** d'installer et d'utiliser l'ouvre-porte pour éviter tout enchevêtrement.
- Ne l'installez **PAS** sur une porte monobloc si vous utilisez des dispositifs ou des fonctionnalités permettant une fermeture sans surveillance. Les dispositifs et fonctionnalités sans surveillance doivent être utilisés **UNIQUEMENT** avec des portes sectionnelles.

### ATTENTION

Pour éviter d'endommager la porte de garage et l'ouvre-porte :

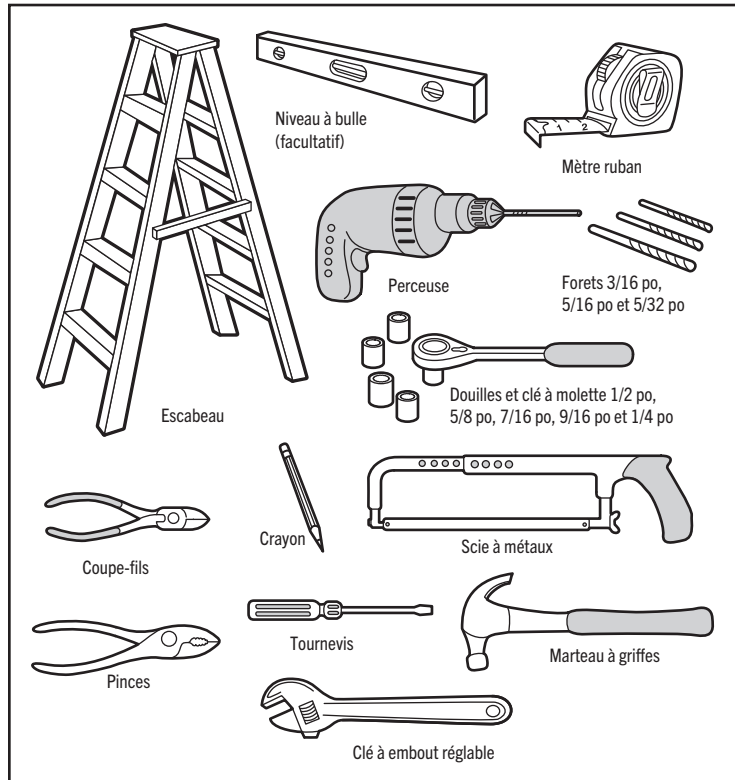
- Désactivez **TOUJOURS** les verrous **AVANT** d'installer et d'utiliser l'ouvre-porte.
- Utilisez **UNIQUEMENT** l'ouvre-porte de garage sur 120 V, 60 Hz pour éviter les dysfonctionnements et les dommages.

Avant de commencer :

1. Désactivez les verrous et retirez toutes les cordes connectées à la porte de garage.
2. Soulevez la porte à mi-hauteur. Libérez la porte. Si elle est équilibrée, elle doit rester en place, entièrement soutenue par ses ressorts.
3. Soulevez et abaissez la porte pour vérifier qu'elle ne se coince pas ou ne colle pas. Si votre porte se coince, colle ou est déséquilibrée, appelez un technicien qualifié en systèmes de porte.
4. Vérifiez le joint au bas de la porte. Tout écart entre le sol et le bas de la porte ne doit pas dépasser 6 mm (1/4 po). Sinon, le système d'inversion de sécurité risque de ne pas fonctionner correctement.
5. L'ouvre-porte doit être installé au-dessus du centre de la porte. S'il y a un ressort de torsion ou une plaque d'appui centrale sur le chemin du support de linteau, il peut être installé à moins de 1,2 m (4 pi) à gauche ou à droite du centre de la porte. Voir page 13.

## OUTILS NÉCESSAIRES

Pendant l'assemblage, l'installation et le réglage de l'ouvre-porte, les instructions feront appel à des outils manuels comme illustré ci-dessous.



## TESTEZ L'INTENSITÉ DU SIGNAL WI-FI® DANS VOTRE GARAGE

Surveillez et contrôlez votre porte de garage de n'importe où à l'aide de l'application myQ®. Vous aurez besoin d'un routeur avec Wi-Fi et d'un téléphone intelligent ou d'un autre appareil mobile. Assurez-vous que votre appareil mobile est connecté à votre réseau Wi-Fi. Tenez votre appareil mobile à l'endroit où votre ouvre-porte de garage sera installé et vérifiez la force du signal Wi-Fi.



Vérifiez la force du signal. Si vous voyez que :



**Le signal Wi-Fi est fort.**  
Vous êtes prêt!  
Installez votre nouvel ouvre-porte de garage.



**Le signal Wi-Fi est faible.**  
L'ouvre-porte de garage se connectera *probablement* à votre réseau Wi-Fi. Sinon, essayez l'une des options ci-dessous.



**Aucun signal Wi-Fi.**  
Essayez l'une des options suivantes :

- Rapprochez votre routeur de l'ouvre-porte de garage pour minimiser les interférences avec les murs et autres objets
- Achetez un prolongateur de portée Wi-Fi

Visitez [support.chamberlaingroup.com](http://support.chamberlaingroup.com) pour plus de détails

Voir Commande de l'application myQ®, page 34 pour connecter votre ouvre-porte de garage à votre réseau Wi-Fi. Ne connectez PAS avant l'installation.

Wi-Fi® est une marque déposée de Wi-Fi Alliance.

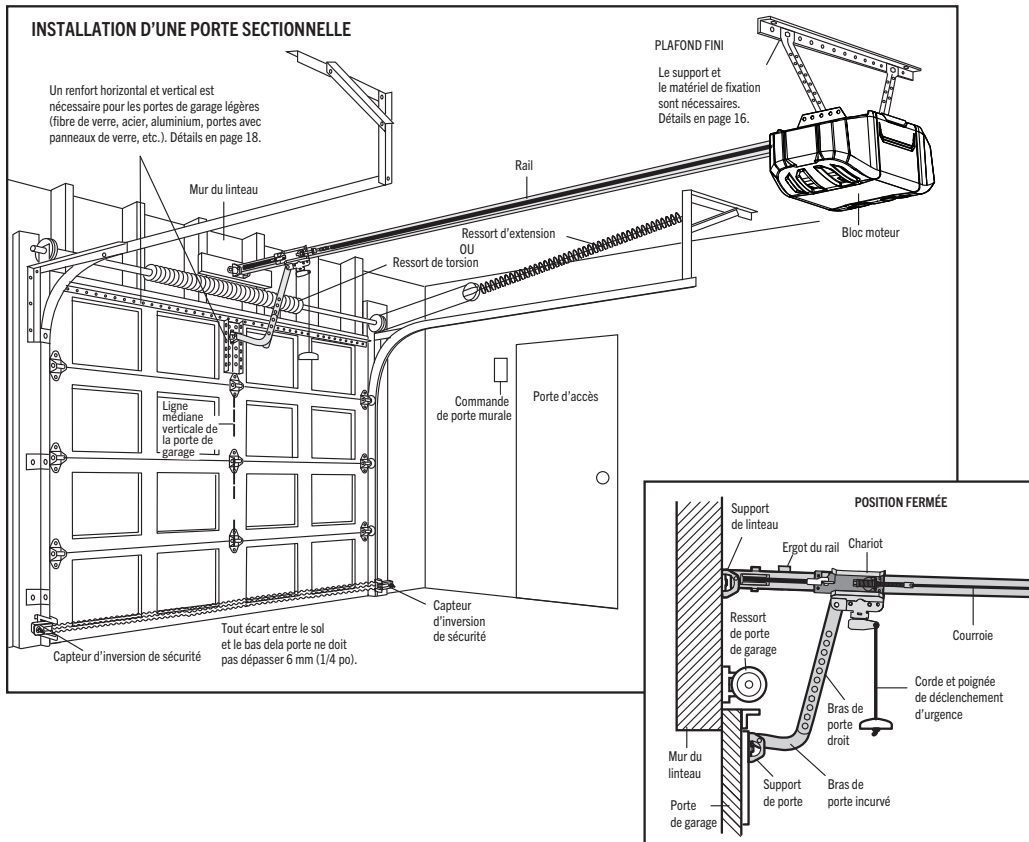
# PLANIFICATION

Identifiez le type et la hauteur de votre porte de garage. Examinez la zone de votre garage pour voir si l'une des conditions ci-dessous s'applique à votre installation. Des matériaux supplémentaires peuvent être requis. Vous trouverez peut-être utile de vous référer à cette page et aux illustrations qui l'accompagnent lorsque vous procéderez à l'installation de votre ouvre-porte. Selon vos besoins, il y a plusieurs étapes d'installation qui peuvent nécessiter des matériaux ou du matériel non inclus dans le carton.

- Étape d'installation 1 - Regardez le mur ou le plafond au-dessus de la porte du garage. Le support de linteau doit être solidement fixé à des supports structurels.
- Étape d'installation 5 - Le plafond de votre garage est-il fini? Si c'est le cas, un support et du matériel de fixation supplémentaire peuvent être nécessaires.
- Étape d'installation 12 - Selon la construction du garage, des supports d'extension ou des blocs de bois peuvent être nécessaires pour installer les capteurs.
- Étape d'installation 12 - Le montage au sol (autre option) du capteur d'inversion sécuritaire nécessitera du matériel non fourni.
- Avez-vous une porte d'accès en supplément de la porte de garage? Si ce n'est pas le cas, une clé de déclenchement d'urgence est nécessaire.
- Regardez la porte du garage à l'endroit où elle rencontre le sol. Tout écart entre le sol et le bas de la porte ne doit pas dépasser 6 mm (1/4 po). Sinon, le système d'inversion de sécurité risque de ne pas fonctionner correctement. Révissez l'étape 2 de réglage. Le plancher ou la porte doivent être réparés.

# INSTALLATION D'UNE PORTE SECTIONNELLE

- Votre porte est-elle en acier léger, en aluminium, en fibre de verre ou à panneaux de verre? Si c'est le cas, un renforcement horizontal et vertical est nécessaire (Étape d'installation 8).
- L'ouvre-porte doit être installé au-dessus du centre de la porte. S'il y a un ressort de torsion ou une plaque d'appui centrale sur le chemin du support de linteau, il peut être installé à moins de 1,22 m (4 pi) à gauche ou à droite du centre de la porte. Voir les étapes 1 et 8 de l'installation.
- Si votre porte a une hauteur de plus de 2,13 m (7 pi), consultez la page Accessoires pour les kits d'extension de rail.



# PLANIFICATION (SUITE)

## INSTALLATIONS D'UNE PORTE MONOBLOC

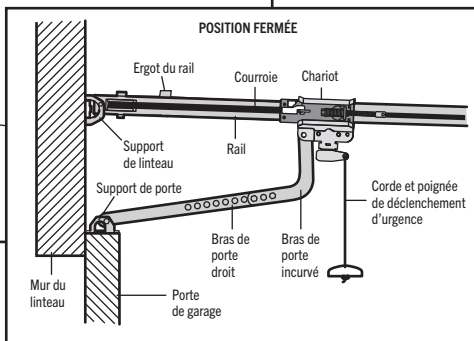
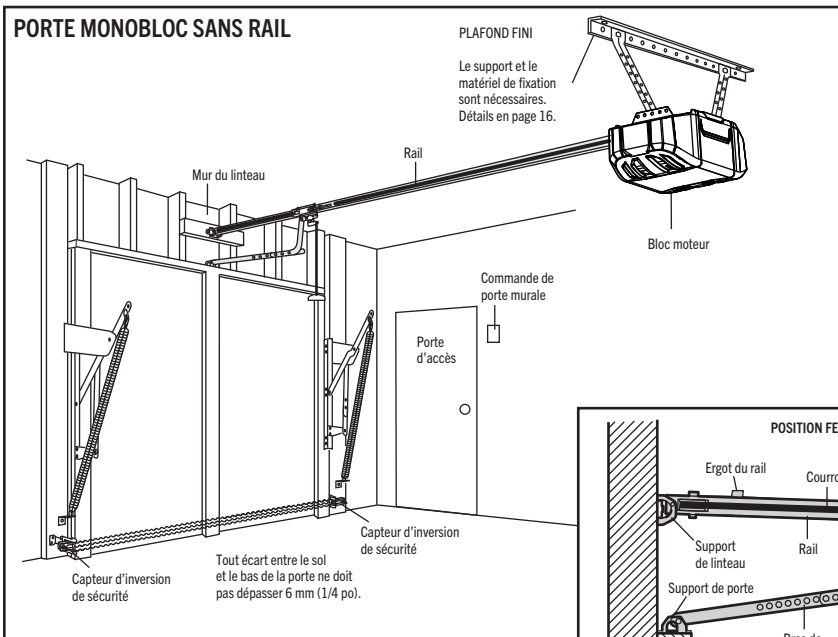
- En général, une porte monobloc ne nécessite pas de renfort. Si votre porte est légère, consultez l'information relative aux portes sectionnelles à l'étape 8 de l'installation.
- Selon la construction de votre porte, il est possible que vous ayez besoin de matériel de montage supplémentaire pour le support de porte (Étape d'installation 8).

### ! AVERTISSEMENT

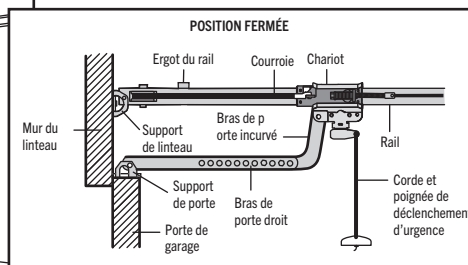
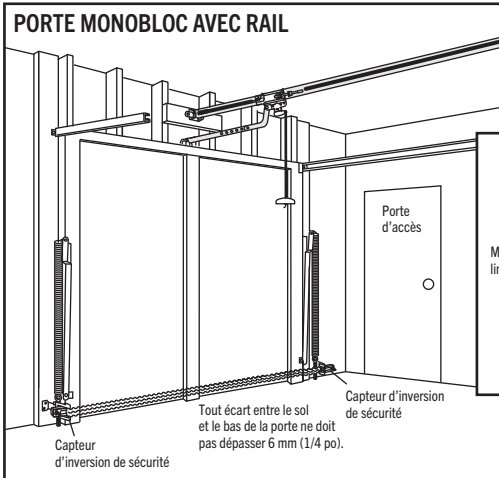
Si le capteur d'inversion de sécurité n'est pas installé correctement, les personnes (en particulier les jeunes enfants) peuvent SUBIR DES BLESSURES GRAVES voire MORTELLES causées par une porte de garage qui se ferme.

- Tout écart entre le bas de la porte et le sol ne DOIT PAS dépasser 6 mm (1/4 po). Sinon, le système d'inversion de sécurité risque de ne PAS fonctionner correctement.
- Le plancher ou la porte du garage DOIT être réparé pour éliminer l'écart.

### PORTE MONOBLOC SANS RAIL



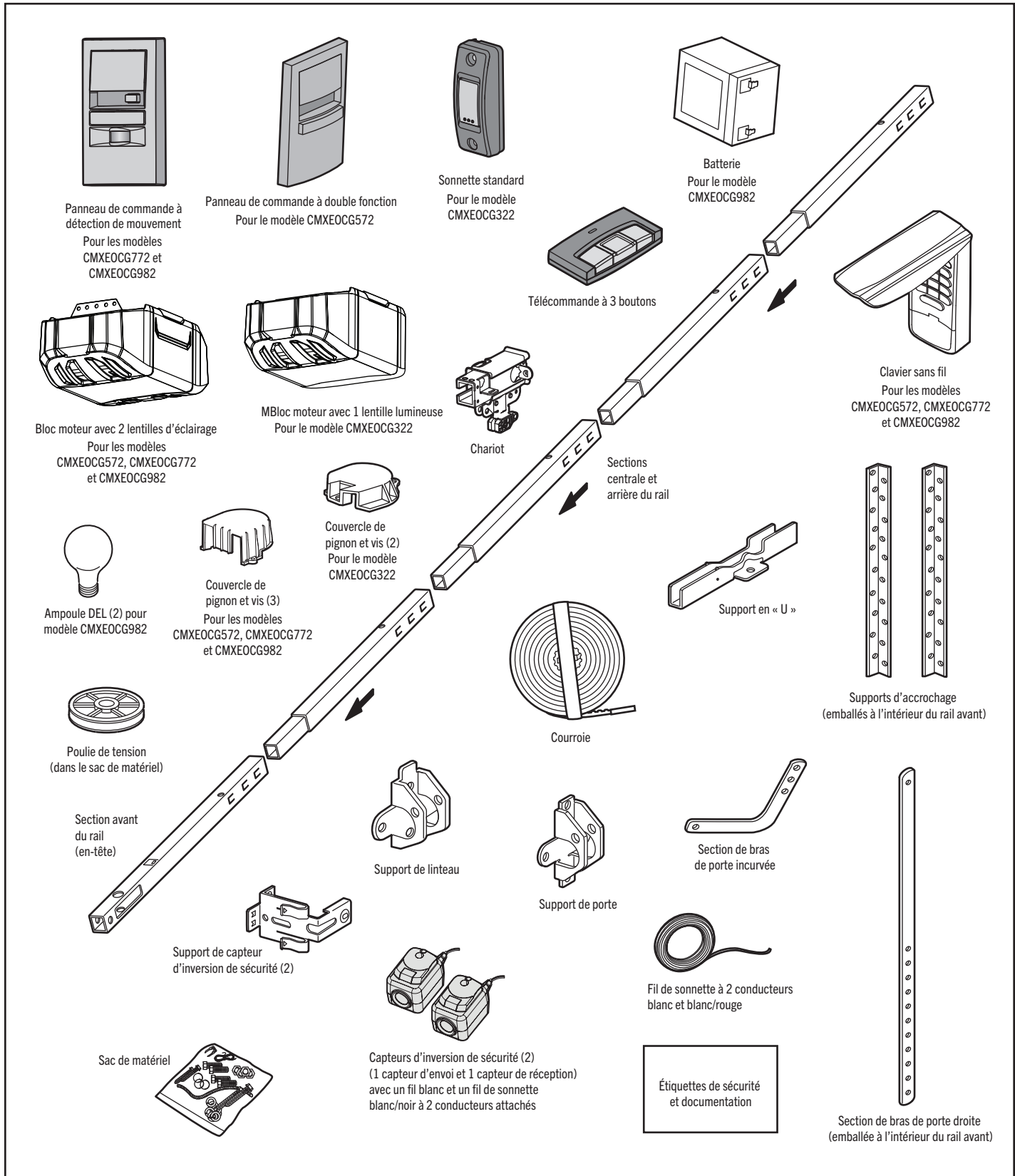
### PORTE MONOBLOC AVEC RAIL



# INVENTAIRE DU CARTON

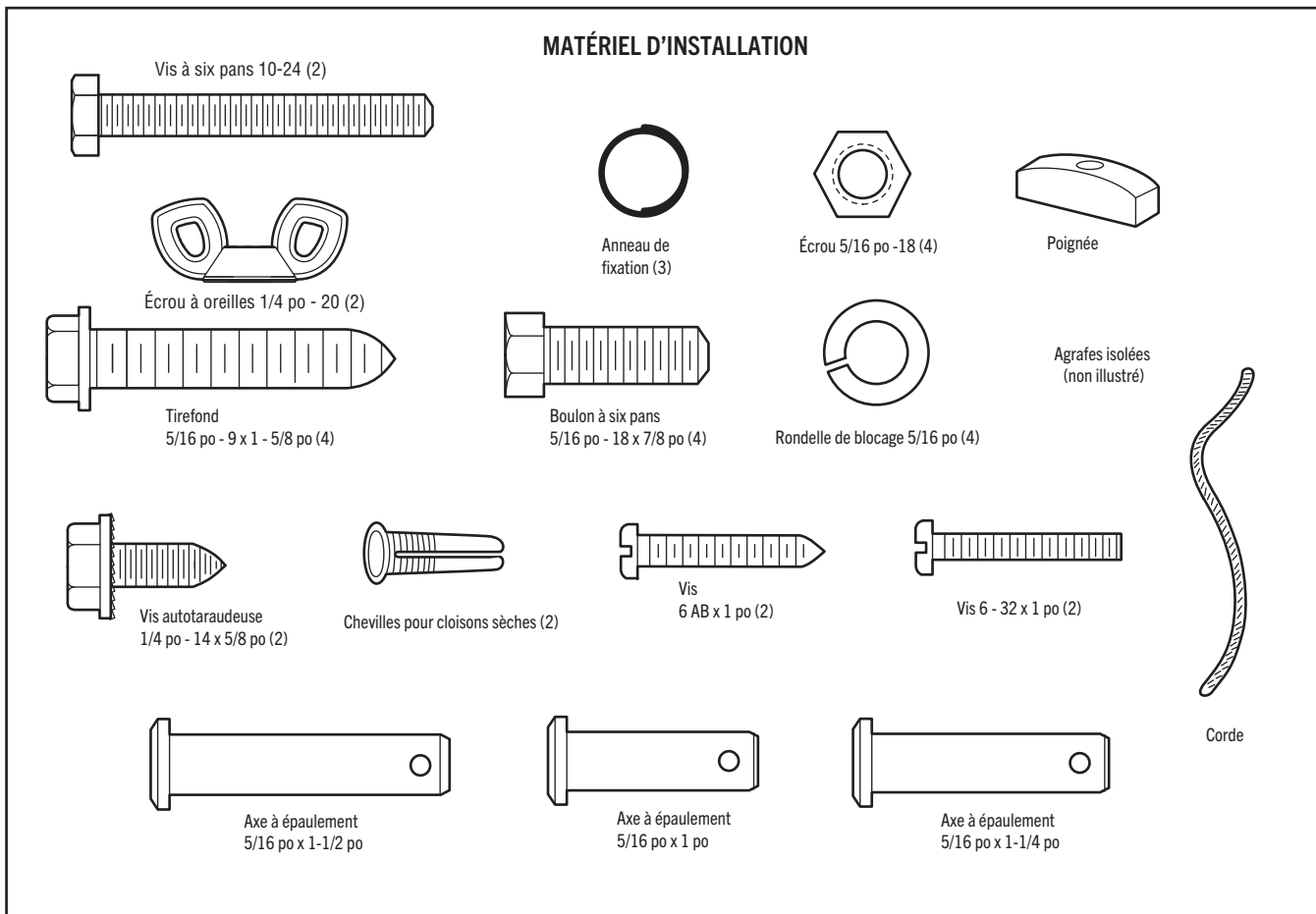
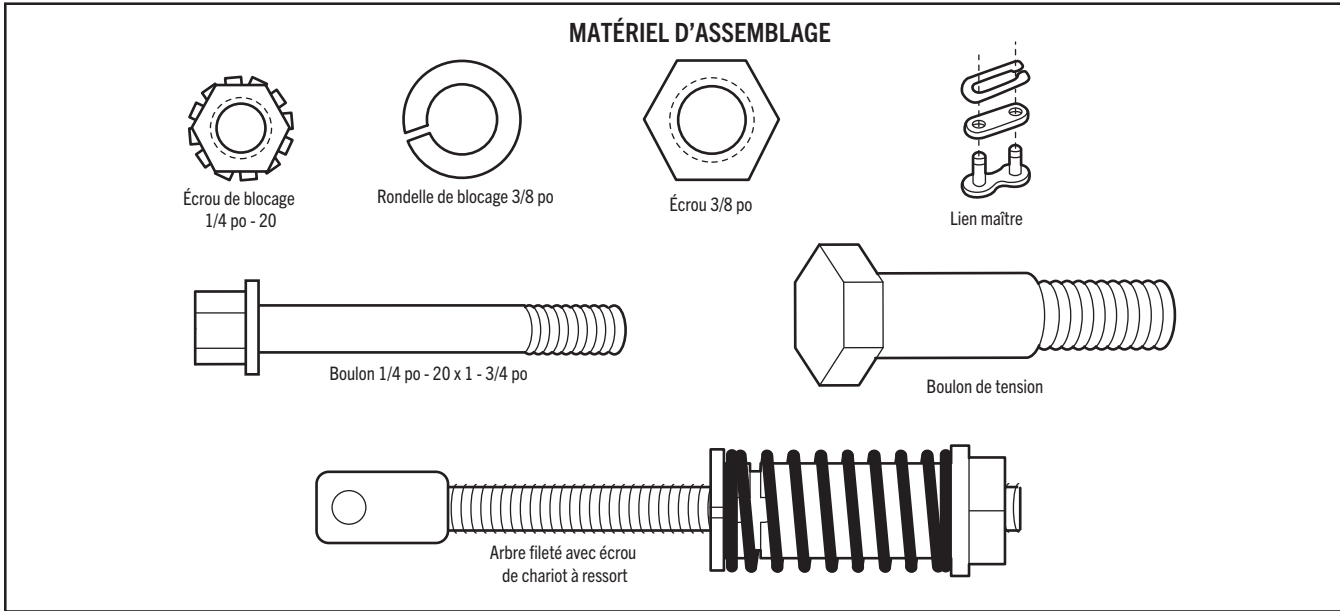
Votre ouvre-porte de garage est emballé dans un carton qui contient le bloc moteur et les pièces illustrées ci-dessous. Les accessoires dépendent du modèle acheté. Si quelque chose manque, vérifiez soigneusement le matériel d'emballage.

Le matériel d'assemblage et d'installation est présenté à la page suivante. Conservez le carton et le matériel d'emballage jusqu'à ce que l'installation et l'ajustement soient terminés.



# INVENTAIRE DU MATÉRIEL

Séparez tout le matériel et le groupe comme indiqué ci-dessous pour les procédures d'assemblage et d'installation.





## ÉTAPE D'ASSEMBLAGE 1

### ASSEMBLEZ LE RAIL ET INSTALLEZ LE CHARIOT

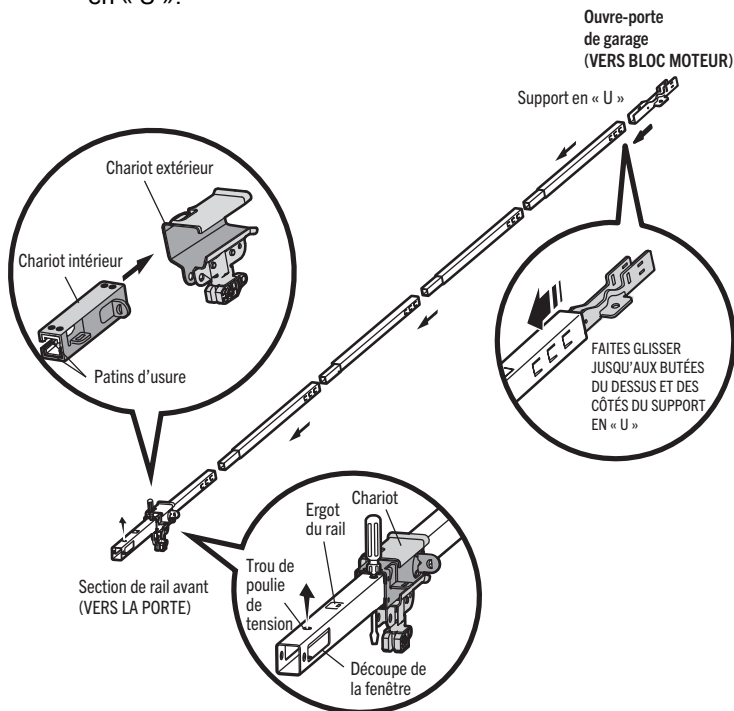
#### ATTENTION

Pour éviter les BLESSURES par pincement, gardez les mains et les doigts éloignés des joints lorsque vous assemblez le rail.

Pour éviter les difficultés d'installation, ne faites pas fonctionner l'ouvre-porte de garage avant d'y être invité.

Le rail avant a une « fenêtre » découpée à l'extrémité de la porte. Le rail avant est muni d'un ergot. L'ergot du rail DOIT être au-dessus du rail lorsqu'il est assemblé.

1. Retirez le bras de porte droit et le support de suspension emballés à l'intérieur du rail avant et mettez-les de côté pour les étapes d'installation 5 et 9. **REMARQUE** : Pour éviter toute BLESSURE lors du déballage du rail, retirez soigneusement le bras de porte droit rangé dans la section du rail.
2. Alignez les sections de rail sur une surface plane tel qu'indiqué et faites glisser les extrémités coniques dans les plus grandes. Les ergots du côté se verrouillent en place.
3. Placez le bloc moteur sur du matériel d'emballage pour protéger son couvercle et posez l'extrémité arrière du rail au dessus. Pour plus de commodité, placez un support sous l'extrémité avant du rail.
4. En tant que butée d'arrêt temporaire, insérez un tournevis dans le trou à 25 cm (10 po) de l'extrémité avant du rail, tel qu'illustré.
5. Vérifiez qu'il y a 4 patins d'usure en plastique à l'intérieur du chariot intérieur. S'ils se sont détachés pendant le transport, vérifiez tout le matériel d'emballage. Remettez-les en place tel qu'indiqué.
6. Faites glisser l'ensemble du chariot le long du rail en partant de l'extrémité arrière vers le tournevis.
7. Faites glisser le rail sur le support en « U », jusqu'à ce qu'il atteigne toutes les butées du dessus et les côtés du support en « U ».



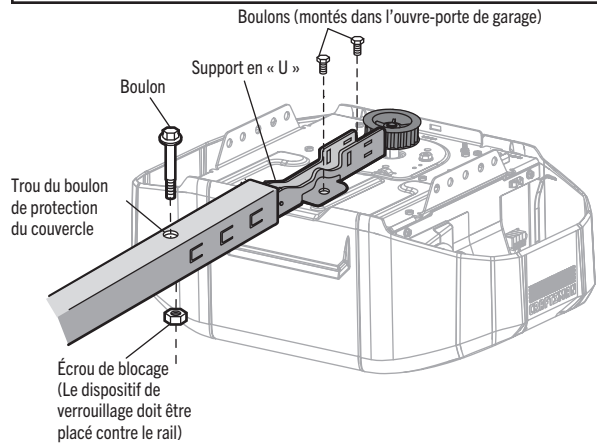
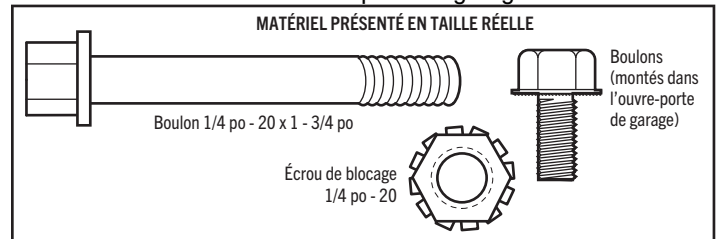
## ÉTAPE D'ASSEMBLAGE 2

### FIXEZ LE RAIL AU BLOC MOTEUR

#### ATTENTION

Pour éviter de GRAVES dommages à l'ouvre-porte de garage, utilisez UNIQUEMENT les boulons/attaches montés sur le dessus de l'ouvre-porte.

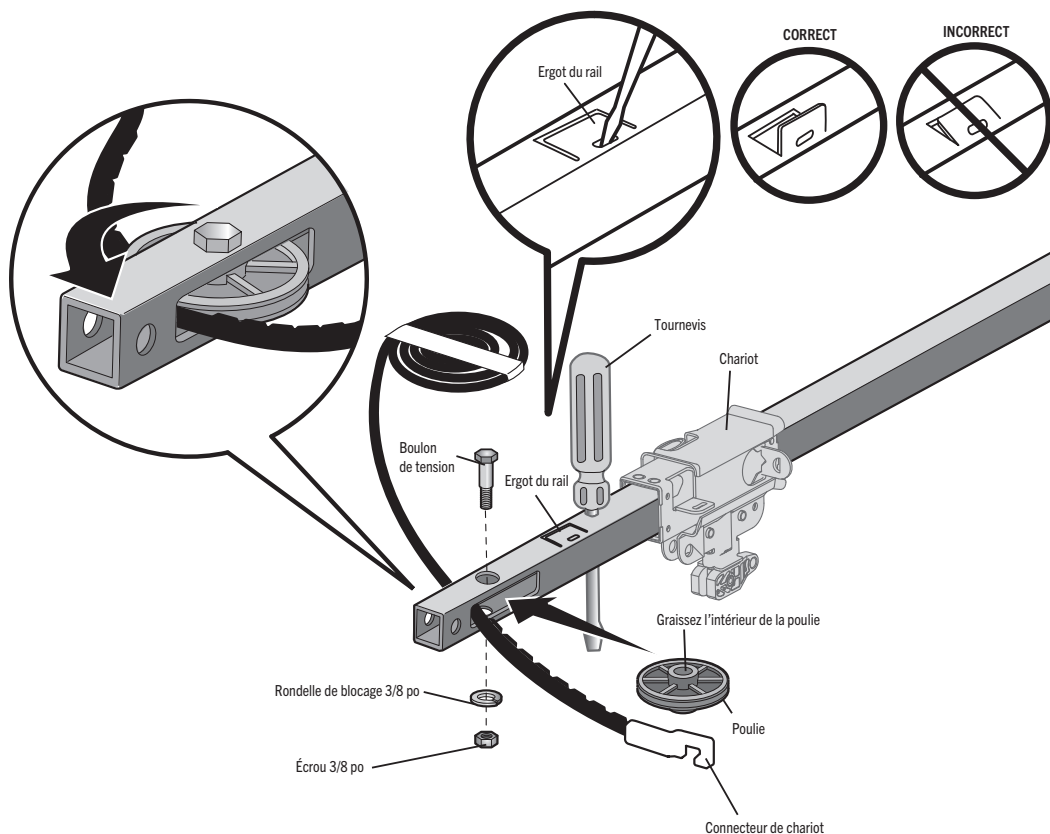
1. Insérez un boulon 1/4 po - 20 x 1-3/4 po dans le trou du boulon de protection du couvercle à l'arrière du rail, tel qu'illustré. Serrez fermement avec un contre-écrou 1/4 po - 20. Ne serrez PAS trop.
2. Retirez les boulons du haut du bloc moteur.
3. Utilisez le carton pour soutenir l'extrémité avant du rail.
4. Placez le support en « U », côté plat vers le bas, sur le bloc moteur et alignez les trous du support avec les trous des boulons.
5. Fixez le support en « U » avec les boulons retirés précédemment ; N'utilisez PAS d'outils électriques. L'utilisation d'outils électriques risque d'endommager irrémédiablement l'ouvre-porte de garage.



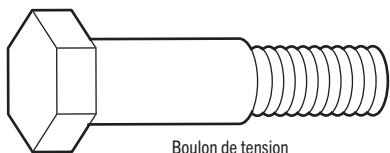
## ÉTAPE D'ASSEMBLAGE 3

### INSTALLEZ LA POULIE DE TENSION

1. Posez la courroie à côté du rail, tel qu'illustré. Saisissez l'extrémité avec le connecteur de chariot à crochet et passez environ 30 cm (12 po) de courroie à travers la fenêtre. Gardez le côté nervuré vers le rail et laissez-le pendre jusqu'à l'étape 4 d'assemblage.
2. Retirez le ruban de la poulie de tension. Le centre intérieur doit être pré-graissé. S'il est sec, regraissez-le pour vous assurer de son bon fonctionnement.
3. Placez la poulie de tension dans la fenêtre tel qu'indiqué.
4. Insérez le boulon de tension par le haut, à travers le rail et la poulie. Serrez avec une rondelle d'arrêt de 3/8 po et un écrou sous le rail jusqu'à ce que la rondelle d'arrêt soit comprimée.
5. Faites tourner la poulie pour vous assurer qu'elle tourne librement.
6. Localisez l'onglet du rail. L'onglet du rail se trouve entre le boulon de tension et le chariot, dans la section du rail avant. Utilisez un tournevis à tête plate pour soulever la languette du rail jusqu'à ce que celle-ci soit verticale (90°).



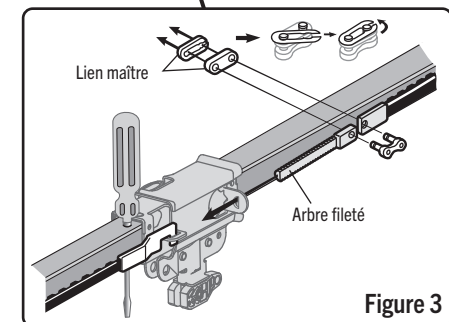
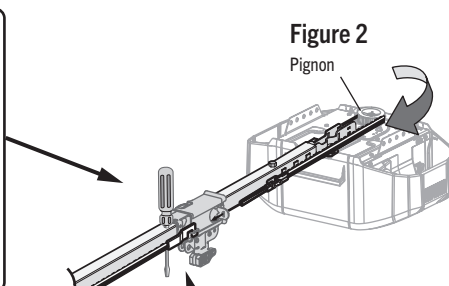
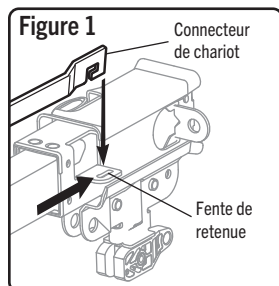
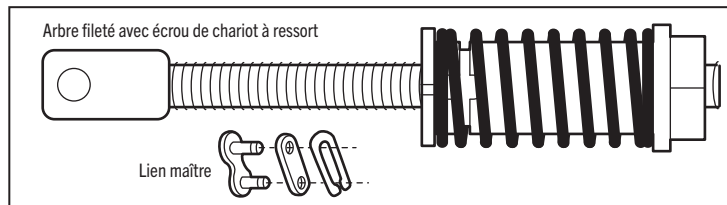
#### MATÉRIEL PRÉSENTÉ EN TAILLE RÉELLE



## ÉTAPE D'ASSEMBLAGE 4

### INSTALLEZ LA COURROIE

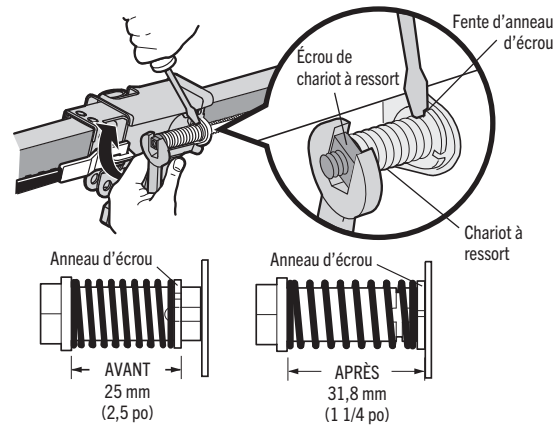
1. Tirez la courroie pour entourer la poulie de tension, en allant vers le chariot. Le côté nervuré doit entrer en contact avec la poulie.
2. Accrochez le connecteur du chariot dans la fente de retenue de celui-ci, tel qu'illustré (Figure 1).
3. Le chariot étant contre le tournevis, distribuez le reste de la courroie le long de la longueur du rail, vers le bloc moteur et autour du pignon (Figure 2). Les dents du pignon doivent engager la courroie.
4. Vérifiez que la courroie n'est pas tordue. Connectez l'arbre fileté du chariot avec le maillon principal (Figure 3).
  - Poussez les goupilles de la barre de liaison principale à travers les trous situés à l'extrémité de la courroie et de l'arbre fileté du chariot.
  - Poussez le capuchon du maillon principal sur les goupilles, et au-delà des encoches de goupille.
  - Faites glisser le ressort à clipser sur le capuchon et sur les encoches des goupilles jusqu'à ce que les deux goupilles soient bien verrouillées en place.
5. Retirez l'écrou du chariot à ressort de l'arbre fileté.
6. Insérez la tige filetée du chariot dans le trou du chariot.



## ÉTAPE D'ASSEMBLAGE 5

### SERREZ LA COURROIE

1. Vissez à la main l'écrou du chariot à ressort sur l'arbre fileté jusqu'à ce qu'il soit bien serré (à la main) contre le chariot. N'utilisez aucun outil. Retirez le tournevis.
2. Insérez la pointe d'un tournevis à tête plate dans l'une des fentes de la bague d'écrou et fixez-la fermement contre le chariot.
3. Serrez l'écrou du chariot à ressort, avec une clé à molette ou une clé plate de 7/16 po, d'environ un quart de tour jusqu'à ce que le ressort se libère et enclenche la bague d'écrou contre le chariot. Ceci règle le ressort sur une tension optimale de la courroie.



## ÉTAPE D'ASSEMBLAGE 6

### INSTALLEZ LE COUVERCLE DU PIGNON

#### AVERTISSEMENT

Pour éviter d'éventuelles BLESSURES GRAVES au doigt causées par l'ouvre-porte de garage en mouvement :

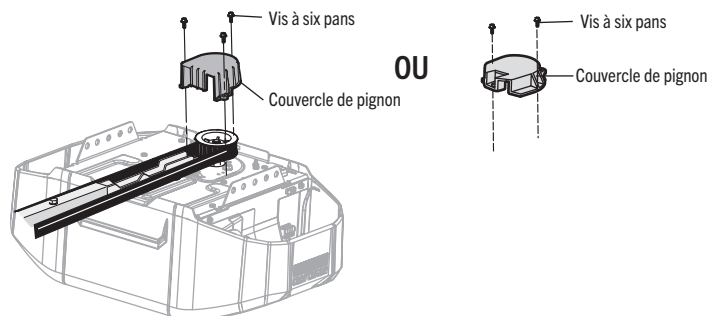
- Gardez TOUJOURS la main à l'écart du pignon lorsque vous utilisez l'ouvre-porte.
- Fixez solidement le couvercle du pignon AVANT toute utilisation.

1. Positionnez le couvercle du pignon sur le pignon tel qu'indiqué et fixez-le à la plaque de montage avec les vis à six pans 8 x 3/8 po fournies.

MATÉRIEL PRÉSENTÉ EN TAILLE RÉELLE



Vis à six pans n° 8 x 3/8 po  
(emballée avec le couvercle du pignon)



**Vous avez maintenant terminé l'assemblage de votre ouvre-porte de garage. Veuillez lire les avertissements suivants avant de passer à la section d'installation.**

## INSTALLATION

### INSTRUCTIONS D'INSTALLATION IMPORTANTES

#### AVERTISSEMENT

### Pour réduire le risque de BLESSURES GRAVES voire MORTELLES :

1. LISEZ ET SUIVEZ TOUS LES AVERTISSEMENTS ET TOUTES LES INSTRUCTIONS D'INSTALLATION.
2. Installez l'ouvre-porte de garage UNIQUEMENT sur une porte de garage correctement équilibrée et lubrifiée. Une porte mal équilibrée risque de ne PAS s'inverser lorsque cela est nécessaire et pourrait entraîner des BLESSURES GRAVES voire MORTELLES.
3. TOUTES les réparations de câbles, ressorts et autre matériel DOIVENT être effectuées par un technicien en systèmes de portes qualifié AVANT l'installation de l'ouvre-porte.
4. Désactivez TOUS les verrous et retirez TOUTES les cordes connectées à la porte de garage AVANT d'installer l'ouvre-porte pour éviter qu'elles s'enchevêtrent.
5. Dans la mesure du possible, installez l'ouvre-porte à une hauteur minimum de 2,13 m (7 pi) du sol.
6. Montez le déclenchement d'urgence à portée de main, mais à une hauteur minimum de 1,83 m (6 pi) du sol et en évitant tout contact avec les véhicules afin d'éviter un déclenchement accidentel.
7. Ne branchez JAMAIS l'ouvre-porte de garage à une source d'alimentation avant d'y être invité.
8. NE portez JAMAIS de montres, bagues ou vêtements amples en installant ou entretenant l'ouvre-porte. Ils pourraient être happés dans les mécanismes de porte de garage ou d'ouvre-porte.
9. Installez la commande de porte de garage murale :
  - en vue de la porte du garage.
  - hors de portée des jeunes enfants à une hauteur minimale de 1,5 m (5 pi) au-dessus du sol, des paliers, des marches ou de toute autre surface de marche adjacente.
  - loin de TOUTES les pièces mobiles de la porte.
10. Placez une étiquette d'avertissement de piégeage sur le mur, à côté de la commande de porte de garage, dans un endroit bien en vue.
11. Placez l'étiquette de test d'inversion de sécurité/déclenchement d'urgence bien en vue à l'intérieur de la porte de garage.
12. Une fois l'installation terminée, testez le système d'inversion de sécurité. La porte DOIT s'inverser au contact d'un objet de 3,8 cm (1-1/2 po) de haut (ou un 2x4 posé à plat) sur le sol.
13. Ne l'installez PAS sur une porte monobloc si vous utilisez des dispositifs ou des fonctionnalités permettant une fermeture sans surveillance. Les dispositifs et fonctionnalités sans surveillance doivent être utilisés UNIQUEMENT avec des portes sectionnelles.

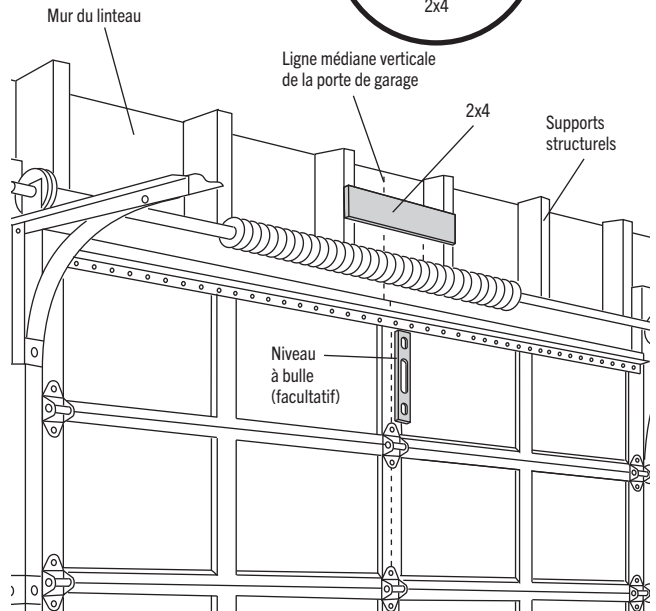
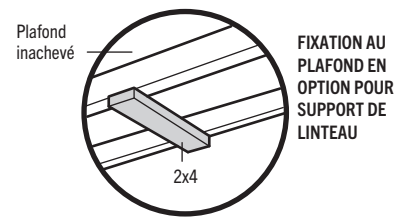
# ÉTAPE D'INSTALLATION 1

## DÉTERMINEZ L'EMPLACEMENT DU SUPPORT DE LINTEAU

### AVERTISSEMENT

Pour éviter d'éventuelles BLESSURES GRAVES voire MORTELLES :

- Le support de linteau DOIT être fixé RIGIDEMENT au support de structure mur du linteau ou du plafond, car sinon la porte de garage risquerait de NE PAS s'inverser si nécessaire. N'installez PAS le support de linteau sur une cloison sèche.
- Des ancrages à béton DOIVENT être utilisés si le support de linteau est monté ou 2x4 dans la maçonnerie.
- N'essayez JAMAIS de desserrer, déplacer ou ajuster la porte de garage, les ressorts, les câbles, les poulies, les supports ou leur matériel, qui sont TOUS sous une tension EXTRÊME.
- Appelez TOUJOURS un technicien qualifié en systèmes de porte si la porte de garage se coince, colle ou est déséquilibrée. Une porte de garage déséquilibrée risque de NE PAS s'inverser lorsque cela est nécessaire.



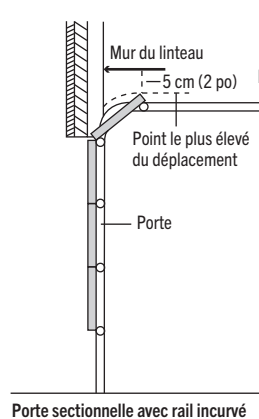
Les procédures d'installation varient selon les types de portes de garage. Suivez les instructions qui s'appliquent à votre porte.

1. Fermez la porte et marquez la ligne médiane verticale intérieure de la porte de garage.
2. Prolongez la ligne sur le mur du linteau au-dessus de la porte. **Vous pouvez fixer le support de linteau à moins de 1,22 m (4 pi) de la gauche ou de la droite du centre de la porte uniquement si un ressort de torsion ou une plaque d'appui centrale gêne; ou vous pouvez le fixer au plafond (voir page 14) lorsque le dégagement est minimal. (Il peut être monté au mur à l'envers si nécessaire, pour gagner environ 1 cm (1/2 po). Si vous devez installer le support de linteau sur un 2x4 (au mur ou au plafond), utilisez des tirefonds (non fournis) pour fixer solidement le 2x4 aux supports structurels, tel qu'illustré ici et à la page 14.**
3. Ouvrez votre porte au point le plus élevé du déplacement comme indiqué. Tracez une ligne horizontale sécante sur le mur du linteau au-dessus du point le plus haut :

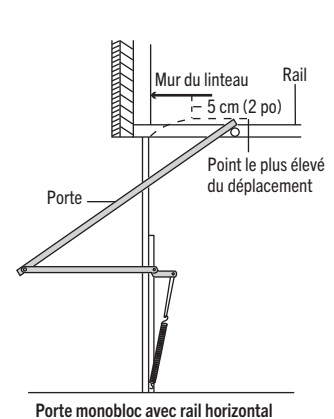
- 5 cm (2 po) au-dessus du point haut pour une porte sectionnelle et une porte monobloc avec rail.
- 20 cm (8 po) au-dessus du point haut pour une porte monobloc sans rail.

Cette hauteur fournira un espace de déplacement pour le bord supérieur de la porte.

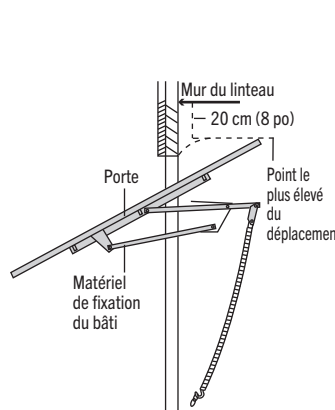
**REMARQUE :** Si le nombre total de pouces dépasse la hauteur disponible dans votre garage, utilisez la hauteur maximale possible, ou reportez-vous à la page 14 pour l'installation au plafond.



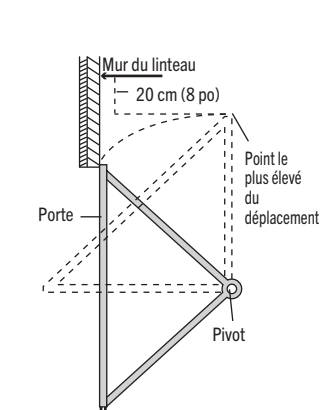
Porte sectionnelle avec rail incurvé



Porte monobloc avec rail horizontal



Porte monobloc sans rail : matériel de fixation du bâti



Porte monobloc sans rail : matériel de fixation pivotant

## ÉTAPE D'INSTALLATION 2

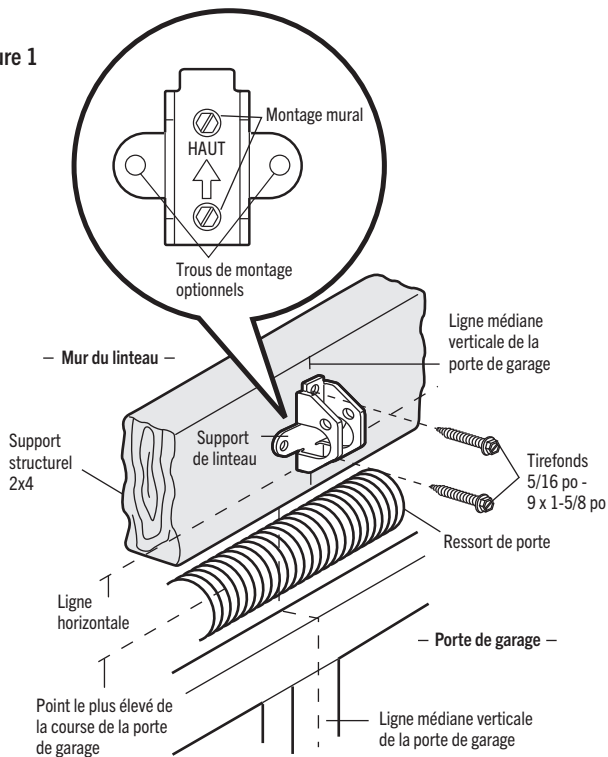
### INSTALLEZ LE SUPPORT DE LINTEAU

Vous pouvez fixer le support de linteau soit au mur au-dessus de la porte de garage, soit au plafond. Suivez les instructions qui conviendront le mieux à vos besoins particuliers. **N'installez pas le support de linteau sur une cloison sèche. Si vous effectuez l'installation dans de la maçonnerie, utilisez des chevilles à béton (non fournies).**

#### INSTALLATION DU SUPPORT DU LINTEAU MURAL

1. Centrez le support placé sur la ligne médiane verticale sur le bord inférieur du support placé sur la ligne horizontale tel qu'indiqué (la flèche orientée vers le plafond).
2. Marquez l'ensemble vertical de trous de support. Percez des avant-trous de 3/16 po et fixez solidement le support à un support structurel avec la quincaillerie fournie.

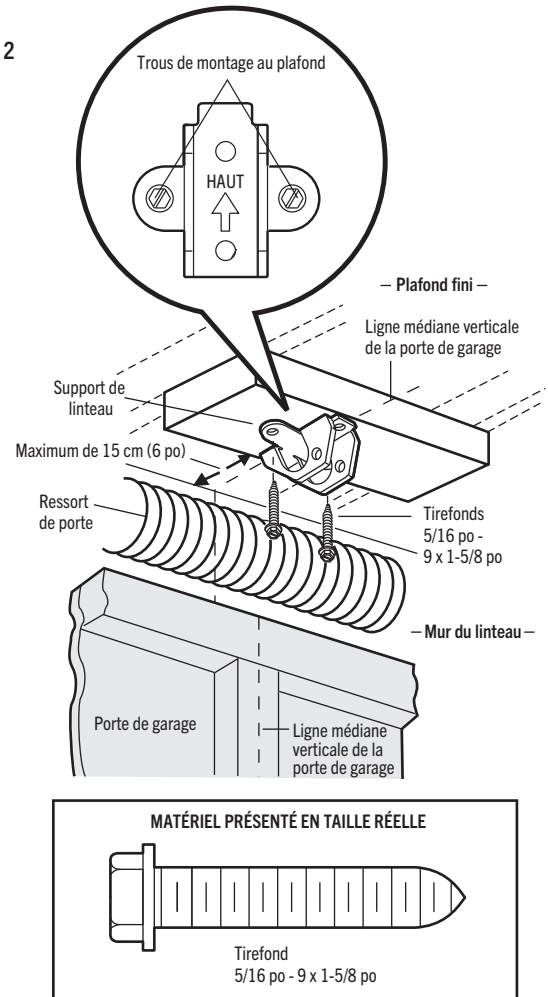
Figure 1



#### INSTALLATION DU SUPPORT DU LINTEAU DU PLAFOND

1. Étendez la ligne médiane verticale sur le plafond comme indiqué.
2. Centrez le support sur la marque verticale, à un espacement maximum de 15 cm (6 po) du mur. Vérifiez que la flèche est dirigée à l'opposé du mur. Le support peut être monté au ras du plafond lorsque le dégagement est minimal.
3. Marquez les trous latéraux. Percez des avant-trous de 3/16 po et fixez solidement le support à un support structurel avec la quincaillerie fournie.

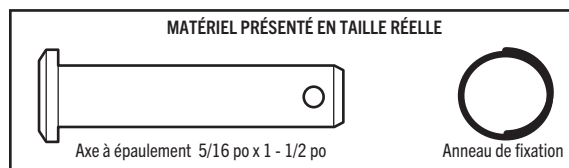
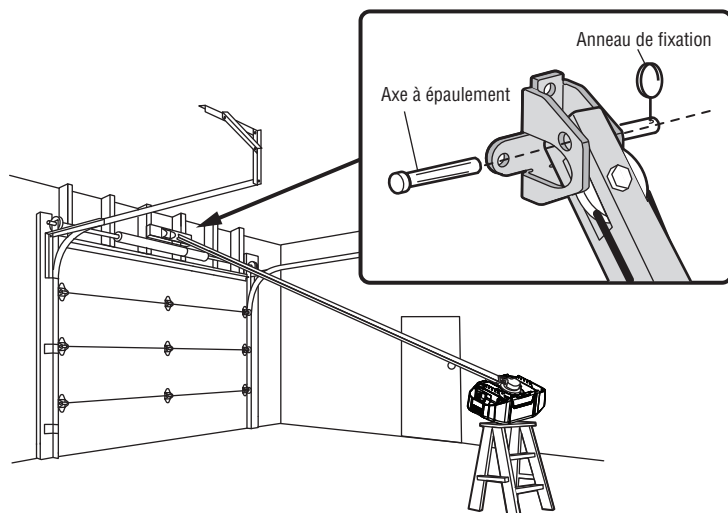
Figure 2



## ÉTAPE D'INSTALLATION 3

### FIXEZ LE RAIL AU SUPPORT DE LINTEAU

1. Placez l'ouvre-porte sur le sol du garage, sous le support de linteau. Utilisez des matériaux d'emballage comme base de protection.  
**REMARQUE :** Si le ressort de la porte gêne, vous aurez besoin d'aide. Demandez à quelqu'un de tenir fermement l'ouvre-porte sur un support temporaire pour permettre au rail de dégager le ressort.
2. Positionnez le support de rail contre le support de linteau.
3. Alignez les trous du support et joignez-les avec un axe à épaulement tel qu'illustré.
4. Insérez un anneau de fixation pour sécuriser.



## ÉTAPE D'INSTALLATION 4

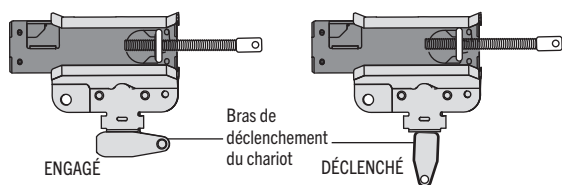
### POSITIONNEZ L'OUVRE-PORTE

Suivez les instructions qui s'appliquent à votre type de porte comme illustré.

#### PORTE SECTIONNELLE OU PORTE MONOBLOC AVEC RAIL

Un 2x4 posé à plat est pratique pour définir une distance idéale entre la porte et le rail.

1. Soulevez l'ouvre-porte sur un escabeau. Vous aurez besoin d'aide à ce stade si l'échelle n'est pas assez haute.
2. Ouvrez complètement la porte et placez un 2x4 posé à plat sur la section supérieure, sous le rail (Figure 1).
3. Si la section ou le panneau supérieur heurte le chariot lorsque vous soulevez la porte, tirez vers le bas sur le bras de déclenchement du chariot pour déconnecter les sections intérieure et extérieure. Faites glisser le chariot extérieur vers le bloc moteur. Le chariot peut rester déconnecté jusqu'à la fin de l'étape d'installation 12.



#### PORTE MONOBLOC SANS RAIL

Un 2x4 sur le côté est pratique pour définir une distance idéale entre la porte et le rail.

1. Soulevez l'ouvre-porte sur un escabeau. Vous aurez besoin d'aide à ce stade si l'échelle n'est pas assez haute.
2. Ouvrez complètement la porte et placez un 2x4 sur son côté, sur la section supérieure de la porte, sous le rail (Figure 2).
3. Le haut de la porte doit être de niveau avec le haut du bloc moteur. Ne placez pas l'ouvre-porte à plus de 10 cm (4 po) au-dessus de ce point.

## ATTENTION

Pour éviter d'endommager la porte de garage, placez le rail de l'ouvre-porte de garage sur un 2x4 placé sur la partie supérieure de la porte.

Figure 1

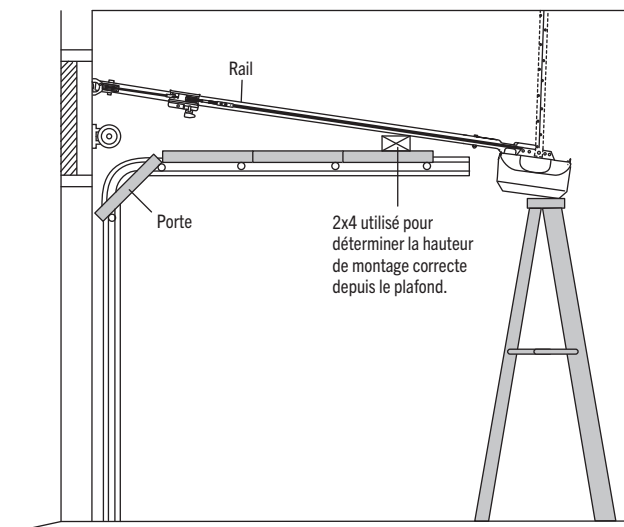
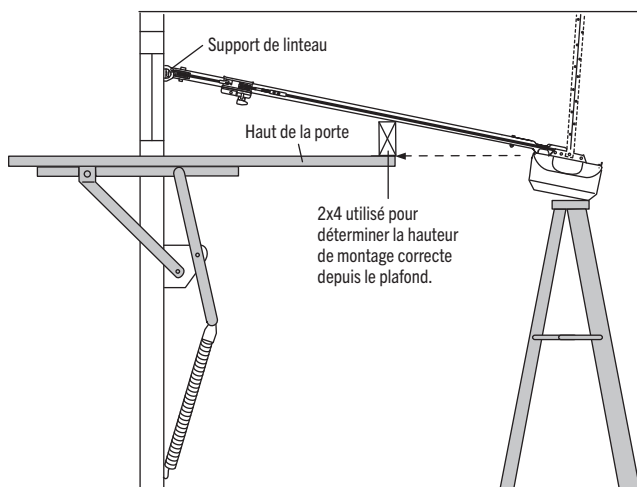


Figure 2





# ÉTAPE D'INSTALLATION 5

## ACCROCHEZ L'OUVRE-PORTE

### AVERTISSEMENT

Pour éviter d'éventuelles BLESSURES GRAVES causées par la chute d'un ouvre-porte de garage, fixez-le SOLIDEMENT aux supports de la structure du garage. Des chevilles à béton DOIVENT être utilisées si vous installez TOUT support dans la maçonnerie.

Trois installations représentatives sont présentées. Il est possible que la vôtre soit différente. Les supports de suspension doivent être inclinés (Figure 1) pour fournir un support rigide. Sur les plafonds finis (Figures 2 et 3), fixez un support métallique solide aux supports structurels avant d'installer l'ouvre-porte. Ce support et le matériel de fixation ne sont pas fournis.

1. Prenez le mesure de la distance de chaque côté du bloc moteur au support de structure.
2. Coupez les deux morceaux du support de suspension aux longueurs requises.
3. Percez des trous pilotes de 3/16 po dans les supports structurels.
4. Fixez une extrémité de chaque support à l'aide de tirefonds 5/16 po - 9 x 1 - 5/8 po.
5. Fixez l'ouvre-porte de garage aux supports de suspension à l'aide de boulons à six pans 5/16 po - 18 x 7/8 po, rondelles d'arrêt et écrous.
6. Vérifiez que le rail est centré au-dessus de la porte (ou aligné avec le support du linteau si le support n'est pas centré au-dessus de la porte).
7. Retirez le 2x4. Faites fonctionner la porte manuellement. Si la porte heurte le rail, soulevez le support de linteau.

**REMARQUE :** NE branchez PAS l'alimentation de l'ouvre-porte à ce moment-là.

Figure 1

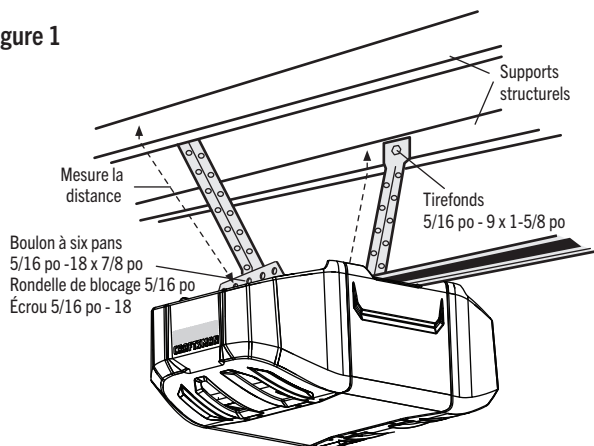


Figure 2

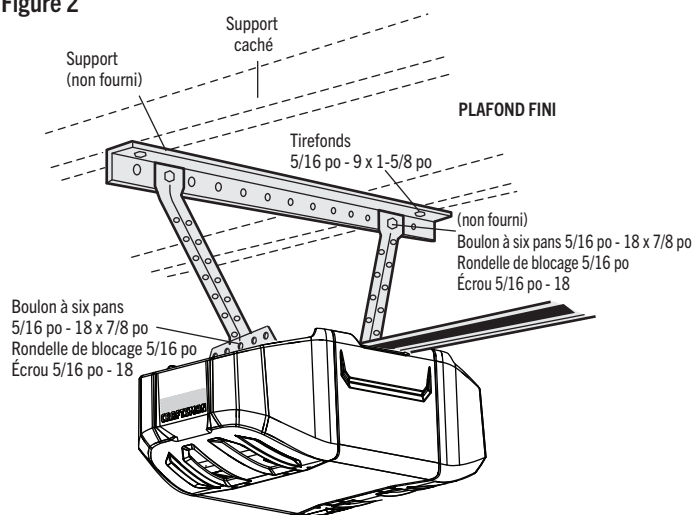
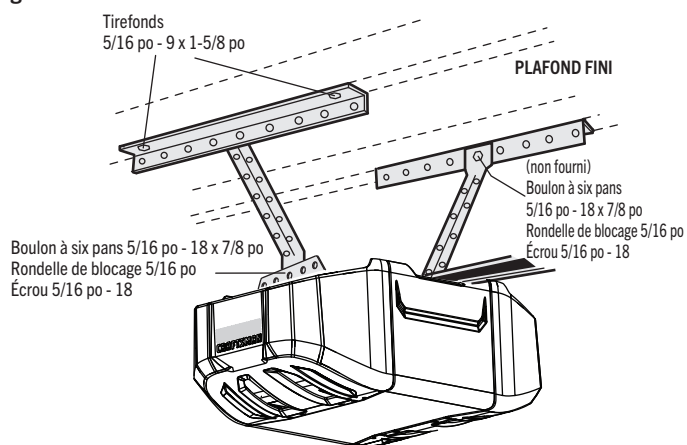
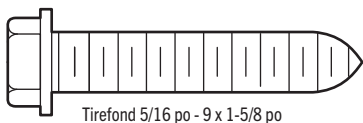


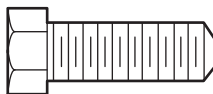
Figure 3



#### MATÉRIEL PRÉSENTÉ EN TAILLE RÉELLE



Tirefond 5/16 po - 9 x 1-5/8 po



Boulon à six pans  
5/16 po - 18 x 7/8 po



Écrou 5/16 po - 18



Rondelle de blocage 5/16 po

## ÉTAPE D'INSTALLATION 6

### INSTALLEZ L'ÉCLAIRAGE

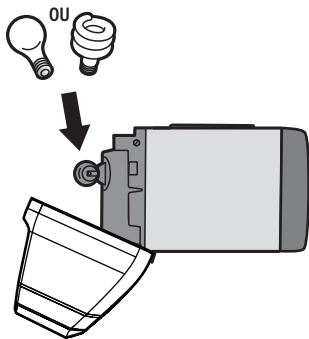
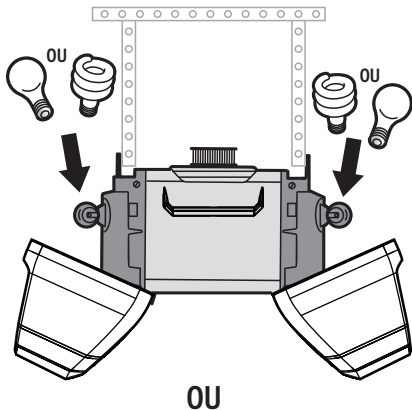
#### **ATTENTION**

Pour éviter toute SURCHAUFFE éventuelle du panneau d'extrémité ou de la douille d'éclairage :

- Utilisez UNIQUEMENT des ampoules de type A19.
- N'utilisez PAS d'ampoules à incandescence de plus de 100 W.
- N'utilisez PAS d'ampoules fluorescentes compactes de plus de 26 W (100 W ou équivalent).
- N'utilisez PAS d'ampoules halogènes.
- N'utilisez PAS d'ampoules à col court ou de forme spéciale.

Les ampoules DEL peuvent causer des interférences radio avec la télécommande. Visitez le site [craftsman.com](http://craftsman.com) pour obtenir une liste d'ampoules DEL recommandées.

1. Tirez la lentille vers le bas.
2. Insérez l'ampoule.
3. Fermez la lentille de la lampe.



## ÉTAPE D'INSTALLATION 7

### FIXEZ LA CORDE ET LA POIGNÉE DE DÉCLENCHEMENT D'URGENCE

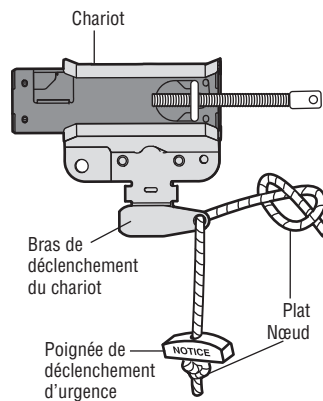
#### **AVERTISSEMENT**

Pour éviter d'éventuelles BLESSURES GRAVES voire MORTELLES causées par une porte de garage qui tombe :

- Dans la mesure du possible, utilisez UNIQUEMENT la poignée de déclenchement d'urgence pour désengager le chariot lorsque la porte du garage est FERMÉE. Des ressorts faibles ou cassés, ou une porte déséquilibrée peuvent entraîner une chute rapide et/ou inattendue d'une porte ouverte.
- N'utilisez JAMAIS la poignée de déclenchement d'urgence avant que toutes les personnes et les obstacles aient été retirés du trajet qu'elle suivra.
- N'utilisez JAMAIS la poignée pour ouvrir ou fermer la porte. Si le nœud de la corde se défait, vous risquez de tomber.

1. Insérez une extrémité de la corde de déclenchement d'urgence à travers la poignée. Vérifiez que « NOTICE » (AVIS) est à l'endroit. Fixez avec un nœud simple à un minimum de 2,5 cm (1 po) de l'extrémité de la corde pour éviter qu'elle glisse.
2. Insérez l'autre extrémité de la corde de déclenchement d'urgence dans le trou du bras de déclenchement du chariot. Montez le déclenchement d'urgence à portée de main, mais à au moins 1,83 m (6 pi) au-dessus du sol, en évitant tout contact avec les véhicules pour éviter un déclenchement accidentel, puis fixez-le avec un nœud plat.

**REMARQUE :** Si vous devez couper la corde de déclenchement d'urgence, arrêtez l'extrémité coupée avec une allumette ou un briquet pour éviter qu'elle ne s'effiloche. Vérifiez que la corde et la poignée de déclenchement d'urgence se trouvent au-dessus du toit de tous les véhicules pour éviter tout enchevêtrement éventuel.



# ÉTAPE D'INSTALLATION 8

## FIXEZ LE SUPPORT DE LA PORTE

### ATTENTION

Les portes de garage en fibre de verre, en aluminium ou en acier léger **DEVRONT** être renforcées AVANT l'installation du support de porte. Contactez le fabricant de la porte de garage ou le revendeur qui s'est chargé de l'installation pour obtenir des instructions sur un renfort d'ouvre-porte ou un kit de renfort.

Suivez les instructions qui s'appliquent à votre type de porte, comme illustré ci-dessous ou à la page suivante.

**Une entretoise de renfort horizontale doit être suffisamment longue pour être fixée à deux ou trois supports verticaux. Un renfort vertical doit couvrir la hauteur du panneau supérieur.**

La figure 1 montre une équerre métallique utilisée comme entretoise horizontale. Pour l'entretoise verticale, 2 équerres métalliques sont utilisées pour créer un support en forme de U. La meilleure solution consiste à demander au fabricant de votre porte de garage un kit de renfort de la porte pour installer l'ouvre-porte.

**REMARQUE :** De nombreux kits de renfort de porte permettent de fixer directement l'axe à épaulement et le bras de porte. Dans ce cas, vous n'aurez pas besoin du support de porte; passez directement à l'étape suivante.

### PORTES SECTIONNELLES

1. Centrez le support de porte sur la ligne médiane verticale que vous avez tracée auparavant et utilisée pour installer le support de linteau. Notez que le placement correct est vers le HAUT, tel qu'indiqué à l'intérieur du support.
2. Positionnez le bord supérieur du support entre 5 et 10 cm (2 et 4 po) sous le bord supérieur de la porte OU directement sous tout support structurel sur le dessus de la porte.
3. Marquez des trous et percez-les, puis procédez à l'installation comme suit, selon la construction de votre porte.

**Portes métalliques ou légères utilisant une équerre métallique verticale dans le support de panneau de porte et le support de porte :**

- Percez des trous de fixation de 3/16 po. Fixez le support de porte à l'aide des deux vis autotaraudeuses 1/4 po - 14 x 5/8 po. (Figure 2A)
- Dans l'alternative, utilisez deux boulons de 5/16 po - 18 x 2 po, des rondelles d'arrêt et des écrous (non fournis). (Figure 2B)

**Portes métalliques, isolées ou légères renforcées en usine :**

- Percez des trous de fixation de 3/16 po. Fixez le support de porte à l'aide des vis autotaraudeuses. (Figure 3)

**Portes en bois :**

- Utilisez les trous du support de porte haut et bas ou côte à côte. Percez des trous de 5/16 po à travers la porte et fixez le support avec des boulons de carrosserie 5/16 po - 18 x 2 po, des rondelles d'arrêt et des écrous (non fournis). (Figure 4)

**REMARQUE :** Les vis autotaraudeuses 1/4 po - 14 x 5/8 po ne sont pas destinées à être utilisées sur des portes en bois.

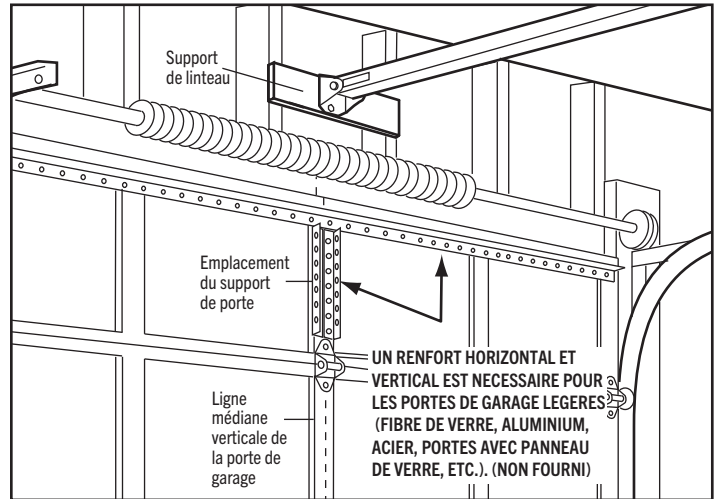


Figure 1

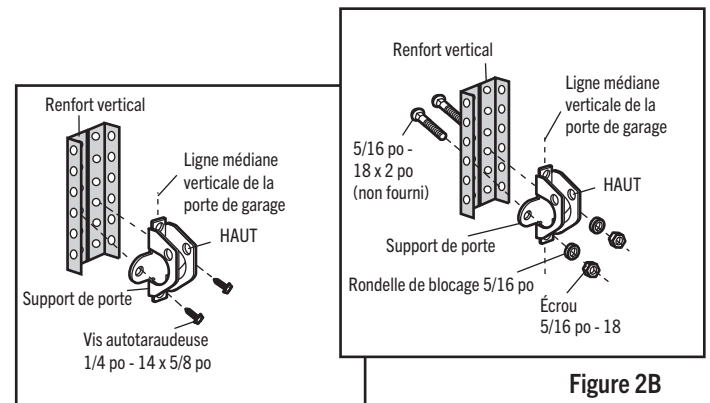


Figure 2B

Figure 2A

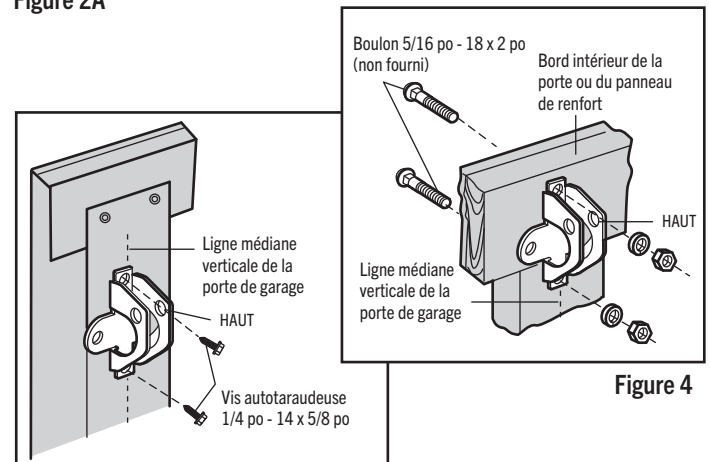
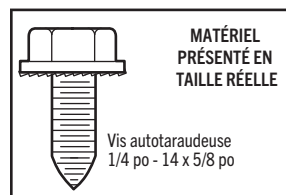


Figure 4

Figure 3



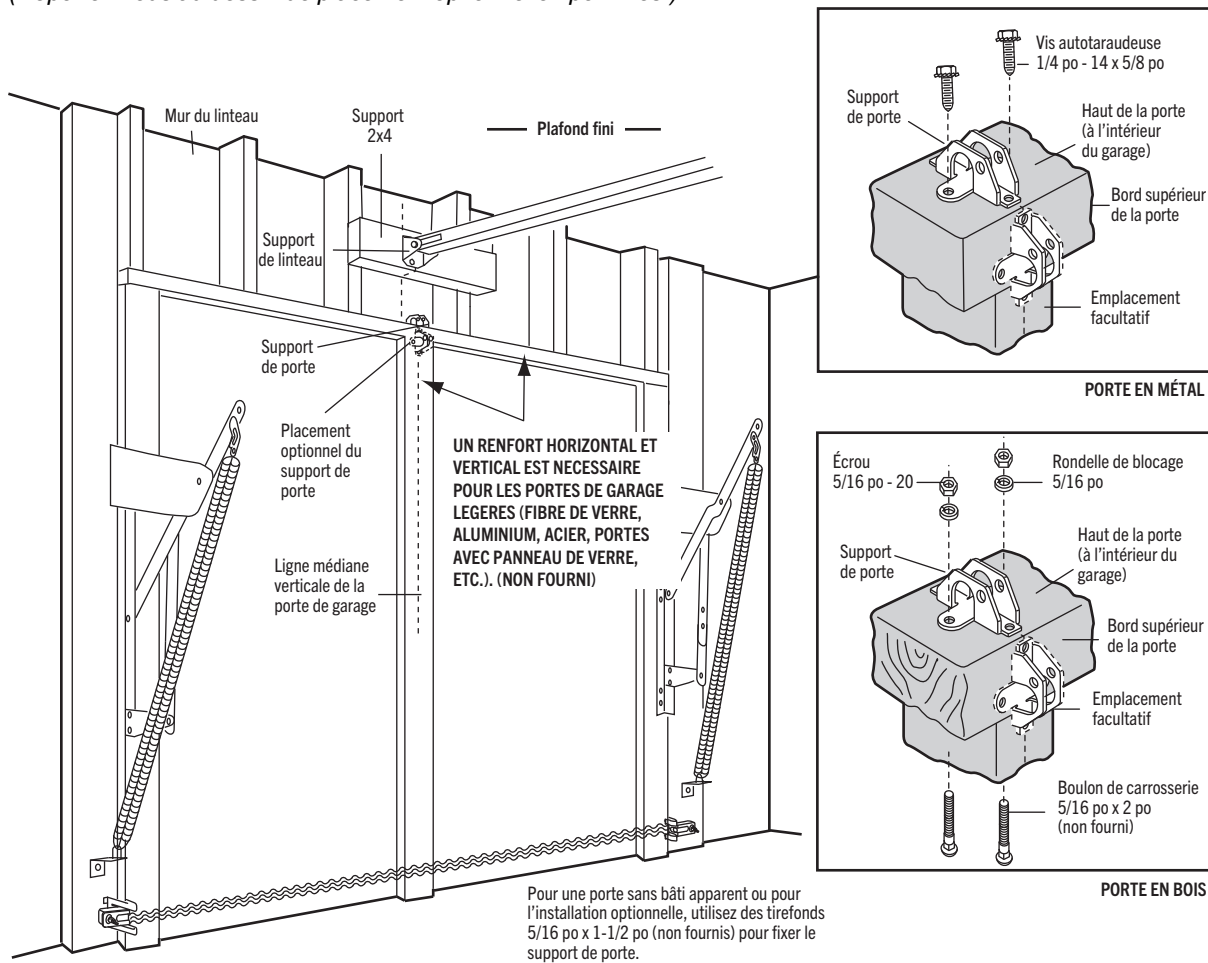
## FIXEZ LE SUPPORT DE PORTE (SUITE)

### PORTES MONOBLOCS

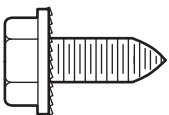
Veillez lire et respecter les avertissements et les instructions de renfort de la page précédente. Elles s'appliquent également aux portes monoblocs.

- Centrez le support de porte sur le dessus de la porte, en ligne avec le support de linteau tel qu'illustré. Marquez soit les trous de gauche et de droite, soit les trous du haut et du bas.
- **Portes en métal** : Percez des avant-trous de 3/16 po et fixez le support avec les vis autotaraudeuses 1/4 po - 14 x 5/8 po fournies.
- **Portes en bois** : Percez des trous de 5/16 po et utilisez des boulons de carrosserie 5/16 po x 2 po, des rondelles d'arrêt et des écrous (non fournis) ou des tirefonds 5/16 po x 1 - 1/2 po (non fournis) selon vos besoins d'installation.

**REMARQUE** : Le support de porte peut être installé sur le bord supérieur de la porte si nécessaire pour votre installation. (Reportez-vous au dessin de placement optionnel en pointillés.)



MATÉRIEL PRÉSENTÉ  
EN TAILLE RÉELLE



Vis autotaraudeuse  
1/4 po - 14 x 5/8 po

## ÉTAPE D'INSTALLATION 9

### CONNECTEZ LE BRAS DE LA PORTE AU CHARIOT

Suivez les instructions qui s'appliquent à votre type de porte, comme illustré ci-dessous et à la page suivante.

**IMPORTANT :** La rainure du bras de porte droit **DOIT** faire face à l'opposé du bras de porte incurvé (Figure 4).

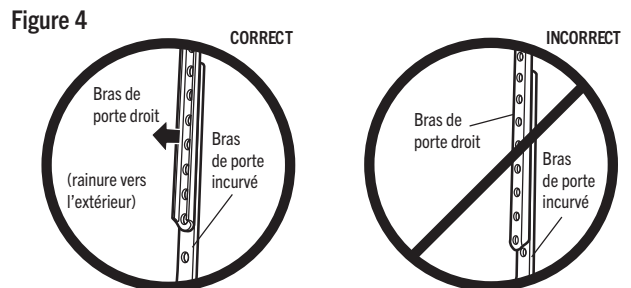
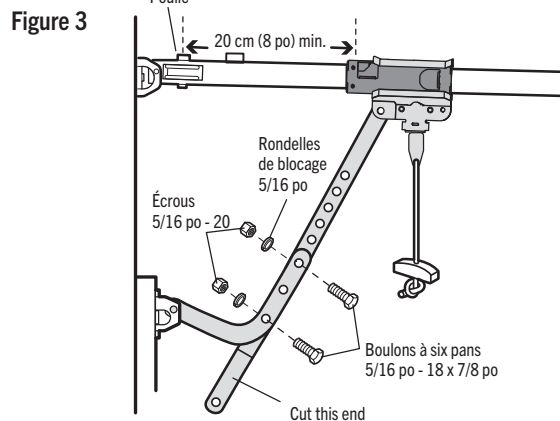
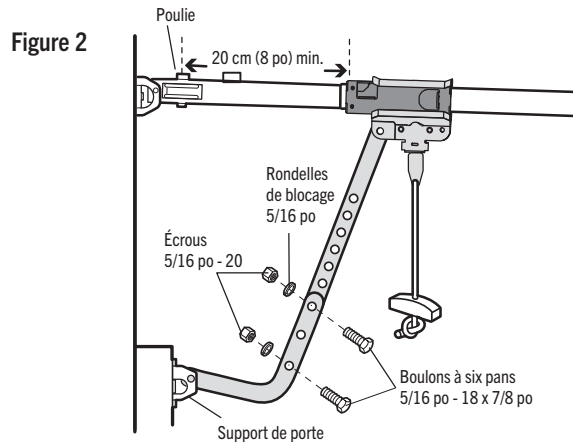
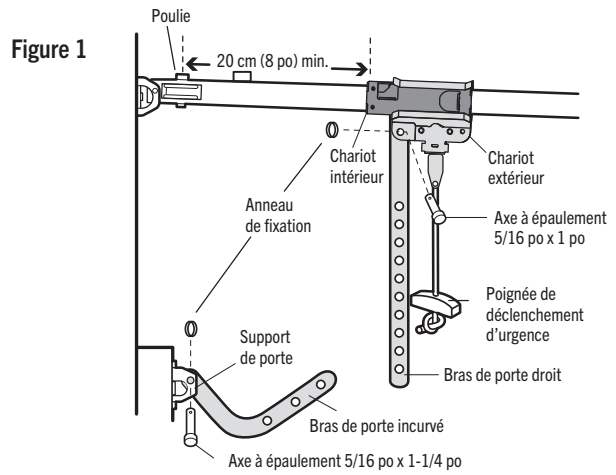
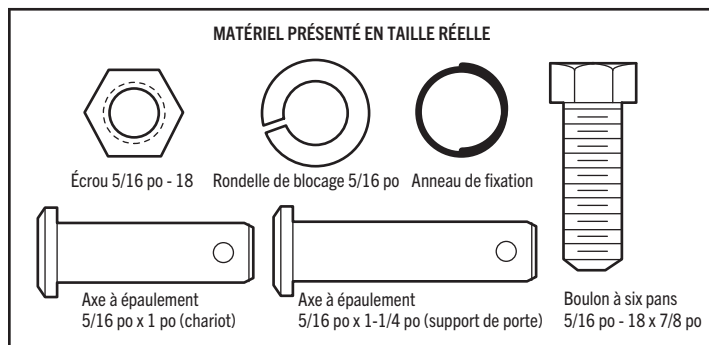
#### PORTES SECTIONNELLES UNIQUEMENT

1. Assurez-vous que la porte de garage est complètement fermée. Tirez la poignée de déclenchement d'urgence pour déconnecter le chariot extérieur du chariot intérieur. Faites glisser le chariot extérieur vers l'arrière (en l'éloignant de la poulie) d'environ 20 cm (8 po) comme indiqué sur les figures 1, 2 et 3.
2. Fixez la section droite du bras de la porte au chariot extérieur à l'aide de l'axe à épaulement 5/16 po x 1 po. Fixez la connexion à l'aide d'un anneau de fixation (Figure 1).
3. Fixez la section incurvée au support de la porte de la même manière, en utilisant l'axe à épaulement 5/16 po x 1-1/4 po.
4. Rassemblez les sections des bras. Trouvez deux paires de trous qui s'alignent et joignez les sections. Choisissez des trous aussi espacés que possible pour augmenter la rigidité du bras de la porte (Figure 2).

#### Alternative d'alignement des trous (Figure 3) :

- Si les trous du bras incurvé sont au-dessus des trous du bras droit, déconnectez le bras droit. Coupez environ 15 cm (6 po) de l'extrémité solide. Reconnectez au chariot avec l'extrémité coupée orientée vers le bas comme indiqué.
- Rassemblez les sections des bras.
- Trouvez deux paires de trous qui s'alignent et joignez-les avec des boulons, des rondelles de blocage et des écrous.

Tirez la poignée de déclenchement d'urgence vers l'ouvre-porte de garage à un angle de 45° jusqu'à ce que le bras de déclenchement du chariot soit horizontal. Le chariot se réengage automatiquement lorsque l'ouvre-porte est actionné pendant les réglages.



## CONNECTEZ LE BRAS DE LA PORTE AU CHARIOT (SUITE)

### TOUTES LES PORTES MONOBLOCS

**IMPORTANT :** La rainure du bras de porte droit DOIT faire face à l'opposé du bras de porte incurvé (Figure 5).

1. Fermez la porte. Déconnectez le chariot en tirant sur la poignée de déclenchement d'urgence.
2. Fixez le bras de porte droit et le bras de porte incurvé ensemble à la longueur la plus longue possible (avec un chevauchement de 2 ou 3 trous) à l'aide des boulons, écrous et rondelles d'arrêt.
3. Fixez le bras de porte droit au support de porte à l'aide de l'axe à épaulement 5/16 po x 1-1/4 po. Fixez avec l'anneau de fixation.
4. Fixez le bras de porte incurvé au chariot à l'aide de l'axe à épaulement 5/16 po x 1-1/4 po. Fixez avec l'anneau de fixation.
5. Tirez la poignée de déclenchement d'urgence vers l'ouverture de garage jusqu'à ce que le bras de déclenchement du chariot soit horizontal.

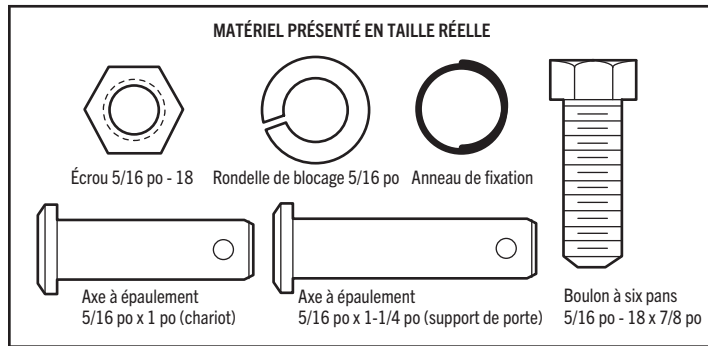


Figure 5

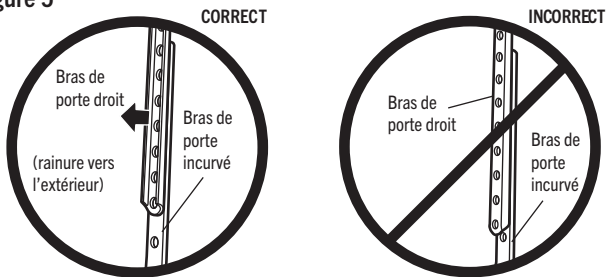


Figure 6 Porte monobloc sans rail

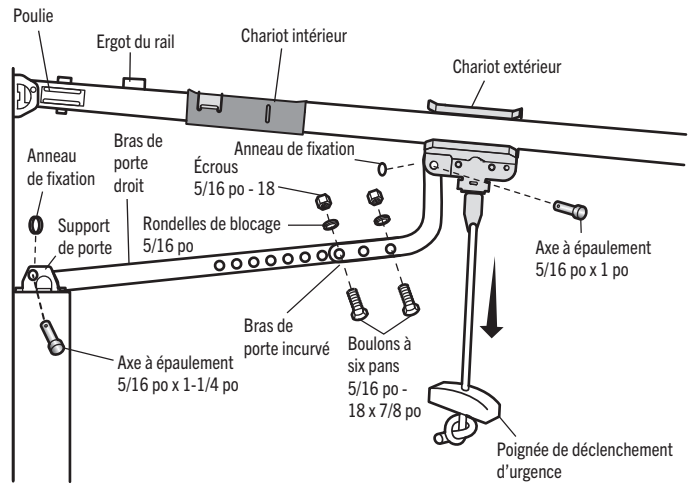
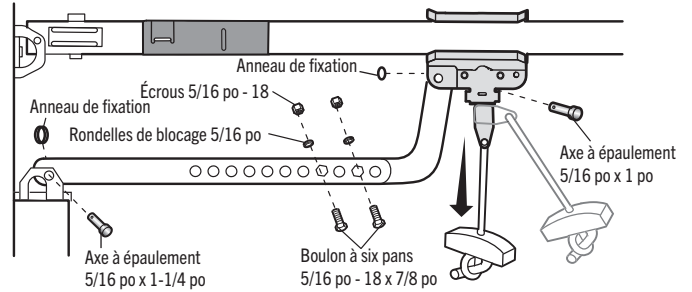


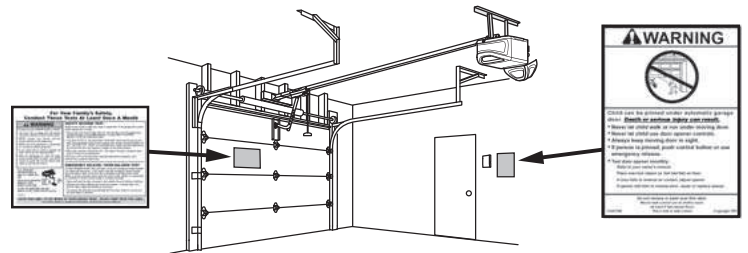
Figure 7 Porte monobloc avec rail



## ÉTAPE D'INSTALLATION 10

### FIXEZ LES ÉTIQUETTES D'AVERTISSEMENT

1. Fixez l'étiquette d'avertissement de piégage sur le mur, près de la commande de porte, avec des punaises ou des agrafes.
2. Fixez l'étiquette de test de déclenchement manuel/d'inversion de sécurité à un endroit visible à l'intérieur de la porte de garage.



# ÉTAPE D'INSTALLATION 11

## INSTALLER LA COMMANDE DE PORTE

### INTRODUCTION

**REMARQUE :** Les anciennes commandes de porte Chamberlain et les produits tiers ne sont pas compatibles.

Installez la commande de porte à portée de vue de la porte de garage à une hauteur minimale de 1,5 m (5 pi) au-dessus du sol, des paliers, des marches ou de toute autre surface de marche adjacente, hors de portée des jeunes enfants et loin des pièces mobiles de la porte.

**REMARQUE :** Pour les installations d'une boîte de commande, il n'est pas nécessaire de percer des trous ou d'installer des ancrages pour cloisons sèches. Utilisez les trous existants de la boîte de commande.

### CÂBLAGE DE LA COMMANDE DE PORTE (FIGURE 1) - MODÈLES CMXEOCG572, CMXEOCG772 et CMXEOCG982

1. Dénudez 11 mm (7/16 po) d'isolant à une extrémité du fil et séparez les fils.
2. Connectez un fil à chacune des deux vis à l'arrière de la commande de porte. Les fils peuvent être connectés à l'une ou l'autre des vis.

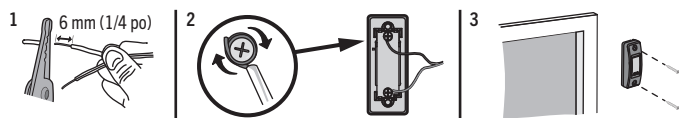
**Installations précâblées :** Choisissez n'importe quels deux fils à connecter, mais notez les fils utilisés afin que les bons fils soient connectés à l'ouvre-porte de garage lors d'une étape ultérieure.

### MONTAGE DE LA COMMANDE DE PORTE (FIGURE 2) - MODÈLES CMXEOCG572, CMXEOCG772 et CMXEOCG982

1. Marquez l'emplacement du trou de montage inférieur et percez un trou de 5/32 po.
2. Installez la vis inférieure, en laissant 3 mm (1/8 po) dépasser du mur.
3. Positionnez le trou inférieur de la commande de porte sur la vis et faites-la glisser en place.
4. Soulevez la barre de poussée et marquez le trou supérieur.
5. Retirez la commande de porte du mur et percez un trou de 5/32 po pour la vis du haut.
6. Positionnez le trou inférieur de la commande de porte sur la vis et faites-la glisser en place. Fixez la vis supérieure.

### COMMANDE DE PORTE À BOUTON-POUSSOIR - MODÈLE CMXEOCG322

1. Dénudez 6 mm (1/4 po) d'isolant à une extrémité du fil et séparez les fils.
2. Connectez un fil à chacune des deux vis à l'arrière de la commande de porte. Les fils peuvent être connectés à l'une ou l'autre des vis.
3. Montez la commande de la porte avec le matériel fourni.



### CÂBLEZ LA COMMANDE DE PORTE À L'OUVRE-PORTE DE GARAGE (FIGURE 3).

**Installations précâblées :** Lorsque vous câblez la commande de porte à l'ouvre-porte de garage, veillez à utiliser les mêmes fils que ceux connectés à la commande de porte.

1. Faites passer le fil blanc et rouge/blanc de la commande de porte à l'ouvre-porte de garage. Fixez le fil au mur et au plafond avec l'agrafe (ne s'applique pas aux boîtes de commande ou aux installations précâblées). Ne percez pas le fil avec l'agrafe car ceci risquerait de créer un court-circuit ou

- un circuit ouvert.
2. Dénudez 11 mm (7/16 po) d'isolant à l'autre extrémité du fil, près de l'ouvre-porte de garage.
3. Connectez le fil aux bornes rouge et blanche de l'ouvre-porte de garage.

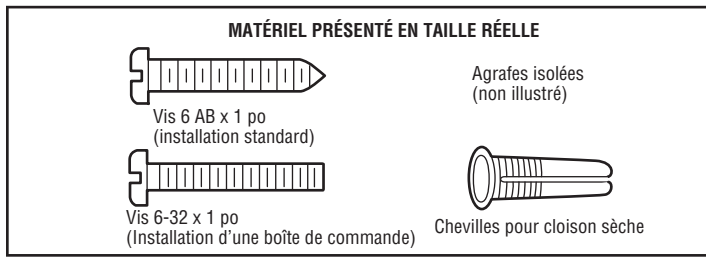
### AVERTISSEMENT

Pour éviter d'éventuelles BLESSURES GRAVES voire MORTELLES par électrocution :

- Vérifiez que l'alimentation n'est PAS branchée AVANT d'installer la commande de porte.
- Connectez la commande de porte UNIQUEMENT aux fils basse tension 12 Volts.

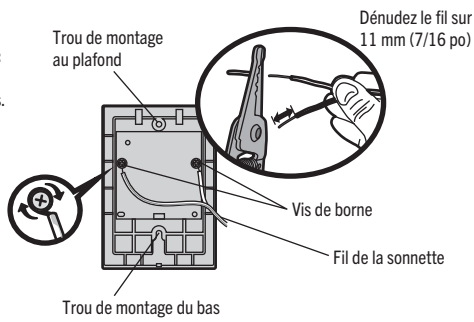
Pour éviter d'éventuelles BLESSURES GRAVES voire MORTELLES causées par la fermeture d'une porte de garage :

- Installez la commande de porte à portée de vue de la porte de garage, hors de portée des jeunes enfants, à une hauteur minimale de 1,5 m (5 pi) au-dessus du sol, des paliers, des marches ou de toute autre surface de marche adjacente, et loin de TOUTES les pièces mobiles de la porte.
- N'autorisez JAMAIS des enfants à utiliser ou jouer avec les boutons de commande de porte ou les émetteurs de la télécommande.
- Activez la porte UNIQUEMENT lorsqu'elle est clairement visible, qu'elle est correctement réglée et qu'il n'y a pas d'obstacles au déplacement de la porte.
- Gardez TOUJOURS la porte de garage en vue jusqu'à ce qu'elle soit complètement fermée. Ne permettez JAMAIS à quiconque de passer la ligne de la porte de garage lorsqu'elle est en train de se fermer.

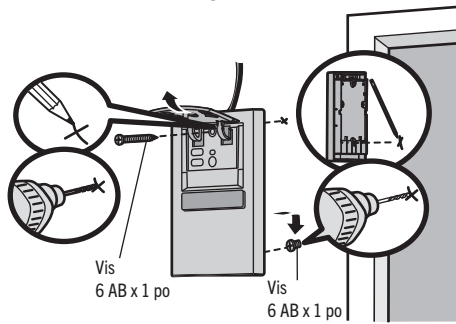


**Figure 1**

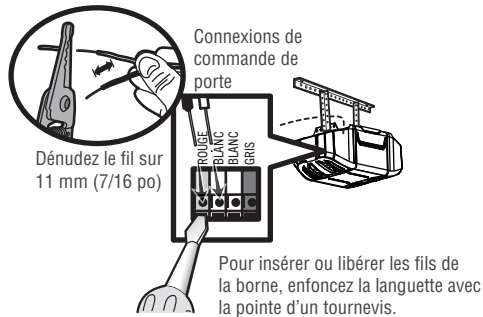
**INSTALLATIONS PRÉCÂBLÉES :**  
Choisissez deux fils à connecter,  
mais notez quels fils sont utilisés.



**Figure 2**



**Figure 3**





## ÉTAPE D'INSTALLATION 12

### INSTALLEZ LE SYSTÈME D'INVERSION DE SÉCURITÉ

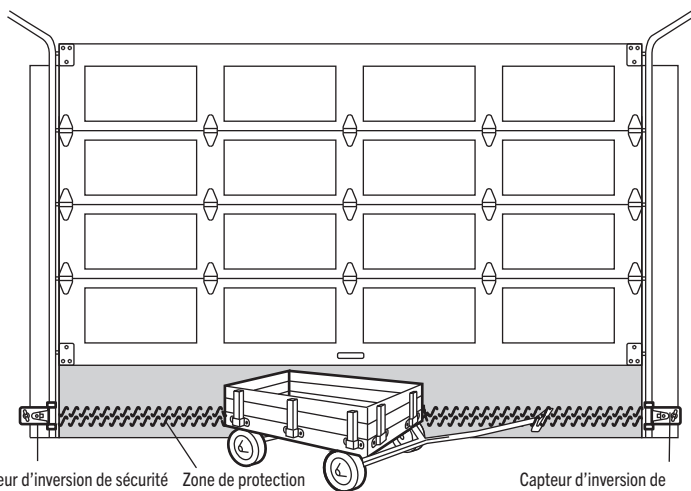
#### INFORMATION IMPORTANTE SUR LES CAPTEURS D'INVERSION DE SÉCURITÉ

Les capteurs d'inversion de sécurité doivent être connectés et alignés correctement avant que l'ouvre-porte de garage fasse descendre la porte.

Le capteur d'envoi (avec une DEL ambrée) transmet un faisceau lumineux invisible au capteur de réception (avec une DEL verte). Si un obstacle brise le faisceau lumineux pendant la fermeture de la porte, la porte s'arrête, puis retourne en position complètement ouverte.

#### En installant les capteurs d'inversion de sécurité vérifiez ce qui suit :

- Les capteurs sont installés à l'intérieur du garage, un de chaque côté de la porte.
- Les capteurs se font face, les lentilles sont alignées et la lumière du capteur de réception ne reçoit pas la lumière directe du soleil.
- Les capteurs ne sont pas plus hauts que 15 cm (6 po) au-dessus du sol et le faisceau lumineux n'est pas obstrué.



Capteur d'inversion de sécurité  
15 cm (6 po) max. au-dessus  
du sol

Zone de protection  
contre les faisceaux  
lumineux invisibles

Capteur d'inversion de  
sécurité 15 cm (6 po) max.  
au-dessus du sol

Face à la porte depuis l'intérieur du garage.

### AVERTISSEMENT

Vérifiez que l'alimentation n'est PAS connectée à l'ouvre-porte de garage AVANT d'installer le capteur d'inversion de sécurité.

Pour éviter des BLESSURES GRAVES voire MORTELLES en fermant la porte de garage :

- Raccordez et alignez correctement le capteur d'inversion de sécurité. Ce dispositif de sécurité requis NE DOIT PAS être désactivé.
- Installez le capteur d'inversion de sécurité de sorte que le faisceau ne soit PAS à une HAUTEUR SUPÉRIEURE à 15 cm (6 po) du sol du garage.

# INSTALLEZ LE SYSTÈME D'INVERSION DE SÉCURITÉ (SUITE)

## INSTALLATION DES SUPPORTS

Assurez-vous que l'alimentation de l'ouvre-porte est **débranchée**. Installez et alignez les supports de sorte que les capteurs soient face à face, de part et d'autre de la porte de garage, le faisceau n'étant pas à plus de 15 cm (6 po) au-dessus du sol. Ils peuvent être installés de l'une des trois manières suivantes.

### Installation de rails de porte de garage (de préférence) :

1. Glissez les bras incurvés sur le bord arrondi de chaque rail de porte, les bras incurvés faisant face à la porte. Enclenchez en place contre le côté du rail. Il doit être à fleur, avec la lèvre épousant le bord arrière du rail, comme illustré à la Figure 1.

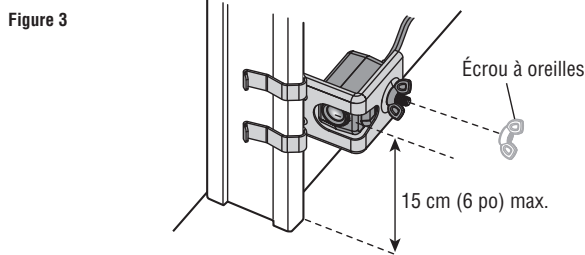
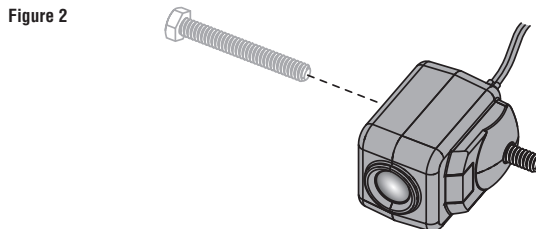
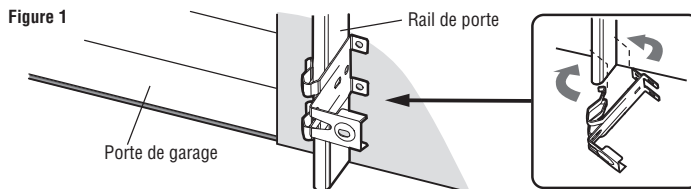
Si le rail de porte ne supporte pas le support, une installation murale est recommandée.

### Installation murale (Figures 2 et 3) :

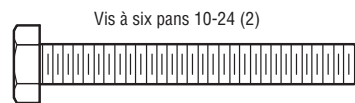
1. Placez le support contre le mur, les bras courbés faisant face à la porte. Assurez-vous que l'espace est suffisant pour que le faisceau du capteur ne soit pas obstrué.
2. Si une profondeur supplémentaire est nécessaire, un support d'extension (modèle 041A5281-1) ou des blocs de bois peuvent être utilisés.
3. Utilisez les trous de montage du support comme modèle pour localiser et percer (2) trous pilotes d'un diamètre de 3/16 po sur le mur de chaque côté de la porte, à une hauteur maximale de 15 cm (6 po) au-dessus du sol.
4. Fixez les supports au mur avec des tirefonds (non fournis).
5. Si vous utilisez des supports d'extension ou des blocs de bois, réglez les ensembles de droite et de gauche à la même distance de la surface de montage. Assurez-vous que toutes les obstructions de la quincaillerie de porte sont dégagées.

### Installation au sol (Figure 4) :

1. Utilisez des blocs de bois ou des supports d'extension (voir la page Accessoires) pour élever les supports de capteur de sorte que les lentilles ne soient pas à plus de 15 cm (6 po) du sol.
2. Mesurez et placez soigneusement les ensembles droit et gauche à la même distance du mur. Assurez-vous que toutes les obstructions de la quincaillerie de la porte sont dégagées.
3. Fixez au sol avec des ancrages à béton comme indiqué.



## MATÉRIEL



# INSTALLEZ LE SYSTÈME D'INVERSION DE SÉCURITÉ (SUITE)

## MONTAGE ET CÂBLAGE DES CAPTEURS D'INVERSION DE SÉCURITÉ

### Montage :

1. Faites glisser un boulon de carrosserie 1/4 po - 20 x 1/2 po dans la fente de chaque capteur. Utilisez des écrous à oreilles pour fixer les capteurs aux supports, les lentilles étant orientées l'une vers l'autre à travers la porte. Assurez-vous que l'objectif n'est pas obstrué par une extension du support (Figure 5).
2. Serrez à la main les écrous à oreilles.

### Option A - Installation sans précâblage :

1. Faites passer le fil des deux capteurs à l'ouvre-porte de garage. Fixez solidement le fil au mur et au plafond à l'aide d'agrafes (Figure 6).

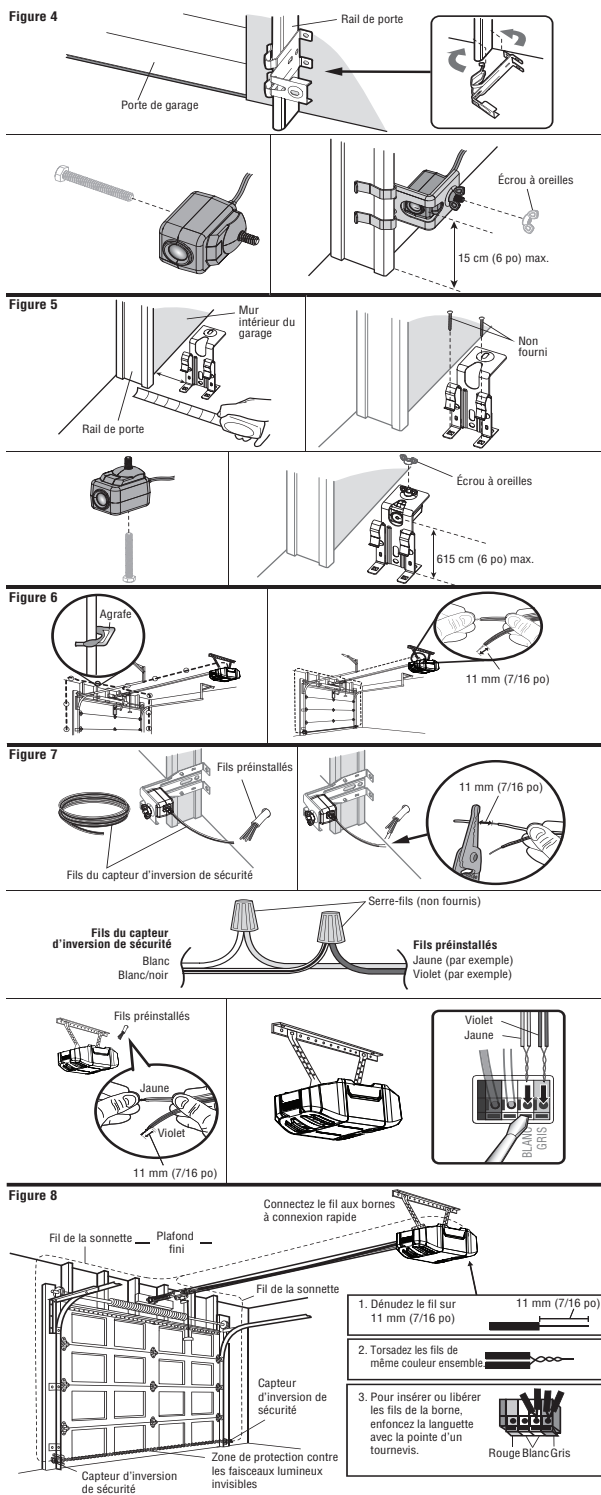
### Option B - Installations précâblées :

Si votre garage est déjà équipé de fils pour les capteurs d'inversion de sécurité, suivez les instructions ci-dessous :

1. Coupez l'extrémité du fil du capteur, en vous assurant qu'il y a une longueur suffisante de fil pour atteindre les fils préinstallés du mur (Figure 7).
2. Séparez les fils du capteur et dénudez 11 mm (7/16 po) d'isolant à chaque extrémité. Choisissez deux des fils préinstallés et dénudez 11 mm (7/16 po) d'isolant à chaque extrémité. Choisissez les fils préinstallés de la même couleur pour chaque capteur.
3. Connectez les fils préinstallés aux fils du capteur avec des serre-fils en vous assurant que les couleurs correspondent pour chaque capteur.

### CONNECTEZ À L'OUVRE-PORTE DE GARAGE :

1. Dénudez 11 mm (7/16 po) d'isolant sur chaque jeu de fils. Séparez suffisamment les fils blanc et blanc/noir pour les connecter aux bornes à connexion rapide de l'ouvre-porte. Torsadez les fils de même couleur ensemble. Insérez les fils dans les trous À connexion rapide : blanc à blanc et blanc/noir à gris (Figure 8).



## ÉTAPE D'INSTALLATION 13

### EXIGENCES ÉLECTRIQUES

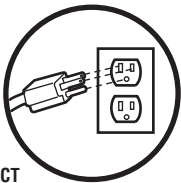
#### AVERTISSEMENT

Pour éviter les risques de BLESSURES GRAVES voire MORTELLES par électrocution ou incendie :

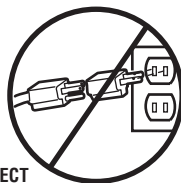
- Assurez-vous que le courant n'est PAS connecté à l'ouvre-porte, et débranchez le courant du circuit AVANT de retirer le couvercle pour établir une connexion permanente.
- L'installation et le câblage de la porte de garage DOIVENT être conformes à TOUS les codes électriques et de construction locaux.
- N'utilisez JAMAIS de rallonge, d'adaptateur à 2 fils ou ne modifiez EN AUCUN cas la fiche pour l'adapter à la prise. Assurez-vous que l'ouvre-porte est mis à la terre.

**Pour éviter les difficultés d'installation, assurez-vous de ne pas faire fonctionner l'ouvre-porte à ce moment-là.**

Pour réduire le risque de choc électrique, votre ouvre-porte de garage est équipé d'une fiche de type mise à la terre avec une troisième goupille de mise à la terre. Cette fiche rentre seulement dans une prise de terre. Si la fiche ne rentre pas dans la prise, communiquez avec un électricien qualifié pour faire installer une prise adéquate.



CORRECT

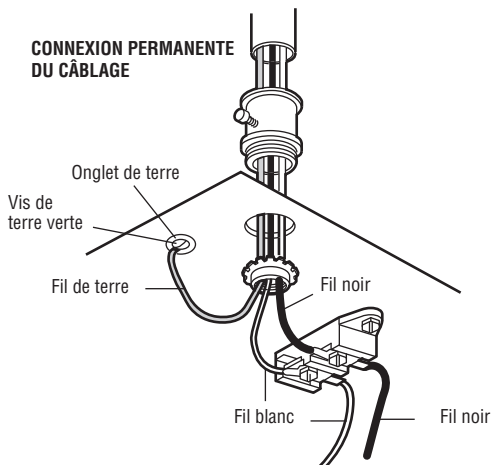


INCORRECT

**Si un câblage permanent est requis par votre code local, consultez la procédure suivante. Pour effectuer une connexion permanente à travers le trou de 7/8 po dans le haut du bloc moteur (selon le code local) :**

1. Retirez les vis du couvercle du bloc moteur et mettez le couvercle de côté.
2. Retirez le cordon à trois broches qui y est attaché.
3. Connectez le fil noir (phase) à la vis de la borne en laiton; le fil blanc (neutre) à la vis de la borne argentée; et le fil de terre à la vis de terre verte. **L'ouvre-porte doit être mis à la terre.**
4. Réinstallez le couvercle.

#### CONNEXION PERMANENTE DU CÂBLAGE



## ÉTAPE D'INSTALLATION 14

### ALIGNEMENT DES CAPTEURS D'INVERSION DE SÉCURITÉ

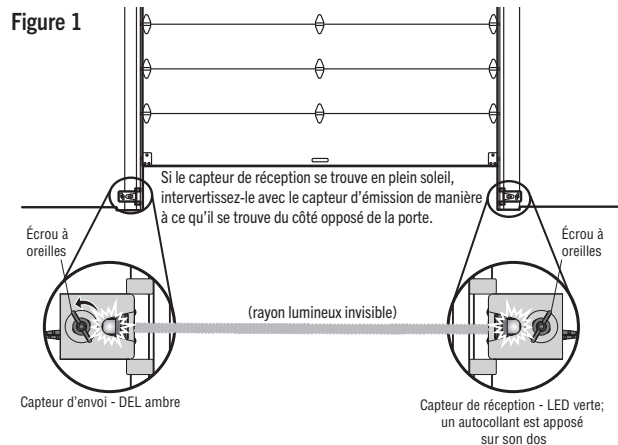
**La porte ne se fermera pas si les capteurs n'ont pas été installés et alignés correctement.**

Lorsque le faisceau lumineux est obstrué ou mal aligné pendant la fermeture de la porte, celle-ci s'inverse. Si la porte est déjà ouverte, elle ne se ferme pas.

1. Vérifiez que les voyants à DEL des deux capteurs sont allumés en permanence. Les DEL des deux capteurs s'allument en permanence si elles sont alignées et câblées correctement.

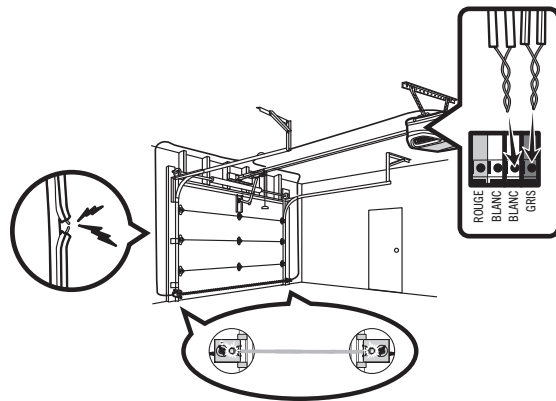
Les capteurs peuvent être alignés en desserrant les écrous à oreilles, alignant les capteurs et resserrant les écrous à oreilles.

Figure 1



#### SI LA DEL AMBRE DU CAPTEUR D'ENVOI N'EST PAS ALLUMÉE :

1. Assurez-vous que l'ouvre-porte de garage est bien alimenté.
2. Vérifiez que le fil du capteur n'est pas court-circuité ou cassé.
3. Vérifiez que le capteur a été câblé correctement : les fils blancs à la borne blanche et les fils blancs/noirs à la borne grise.



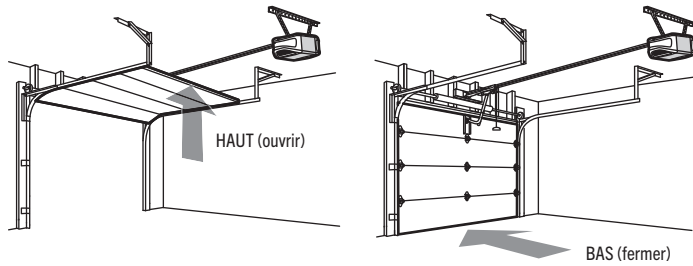
#### SI LA DEL VERTE DU CAPTEUR DE RÉCEPTION N'EST PAS ALLUMÉE :

1. Vérifiez que le fil du capteur n'est pas court-circuité ou cassé.
2. Vérifiez que les capteurs sont alignés.

# RÉGLAGE

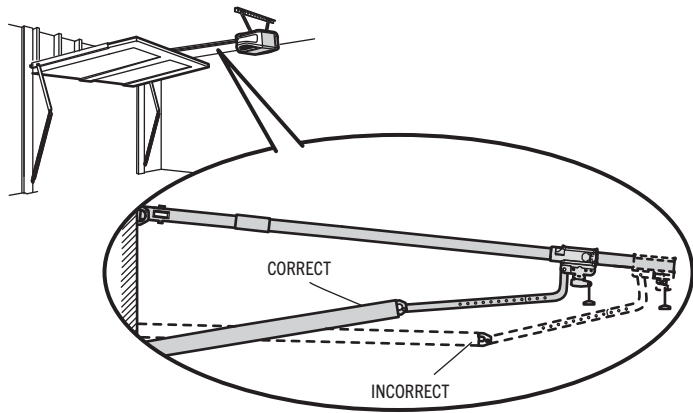
## INTRODUCTION

L'ouvre-porte de votre garage est conçu avec des commandes électroniques pour faciliter la configuration et les réglages.



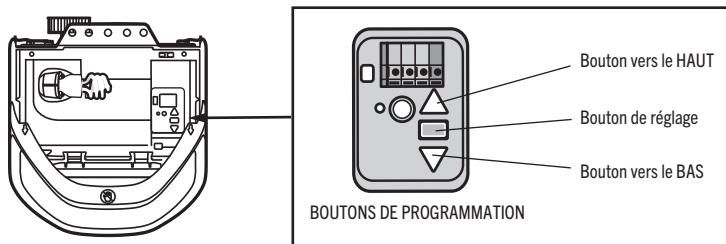
## PORTES MONOBLOCS UNIQUEMENT

Lors du réglage du déplacement vers le haut d'une porte à une seule pièce, assurez-vous que la porte n'est pas inclinée vers l'arrière lorsqu'elle est complètement ouverte (HAUTE). Si la porte est inclinée vers l'arrière, cela provoquera des secousses inutiles lors de l'ouverture ou de la fermeture de la porte.



## BOUTON DE PROGRAMMATION

Les boutons de programmation sont situés sur le panneau latéral gauche de l'ouvre-porte de garage et sont utilisés pour programmer le déplacement.



## ! AVERTISSEMENT

Si le capteur d'inversion de sécurité n'est pas installé correctement, les personnes (en particulier les jeunes enfants) peuvent SUBIR DES BLESSURES GRAVES voire MORTELLES par une porte de garage qui se ferme.

- Un réglage incorrect des limites de déplacement de la porte de garage empêchera le bon fonctionnement du système d'inversion de sécurité.
- Après TOUT réglage, le système d'inversion de sécurité DOIT être testé. La porte DOIT s'inverser au contact d'un objet d'une hauteur de 3,8 cm (1-1/2 po) (ou un 2x4 posé à plat) sur le sol.

## ! ATTENTION

Pour éviter d'endommager les véhicules, assurez-vous que la porte complètement ouverte offre un espace suffisant.

# RÉGLAGE

## INTRODUCTION

### AVERTISSEMENT

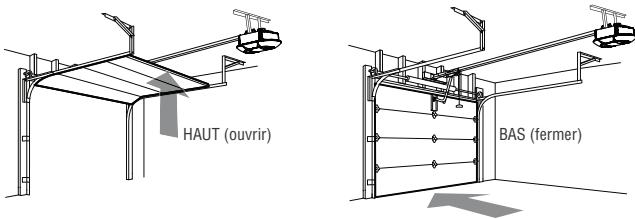
Si le capteur d'inversion de sécurité n'est pas installé correctement, les personnes (en particulier les jeunes enfants) peuvent SUBIR DES BLESSURES GRAVES voire MORTELLES par une porte de garage qui se ferme.

- Un réglage incorrect des limites de déplacement de la porte de garage empêchera le bon fonctionnement du système d'inversion de sécurité.
- Après TOUT réglage, le système d'inversion de sécurité DOIT être testé. La porte DOIT s'inverser au contact d'un objet d'une hauteur de 3,8 cm (1-1/2 po) (ou un 2x4 posé à plat) sur le sol.

### ATTENTION

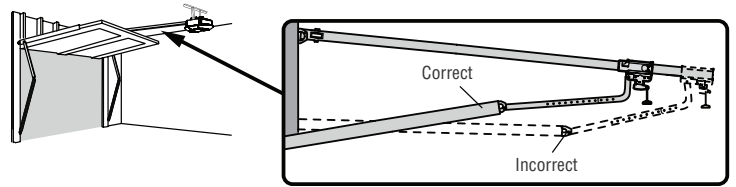
Pour éviter d'endommager les véhicules, assurez-vous que la porte complètement ouverte offre un espace suffisant.

L'ouvre-porte de votre garage est conçu avec des commandes électroniques pour faciliter la configuration et les réglages. Pendant la programmation de la course, les boutons fléchés vers le HAUT et le BAS peuvent être utilisés pour déplacer la porte selon les besoins. Pendant la configuration de la force automatique, la porte s'ouvre et se ferme automatiquement.



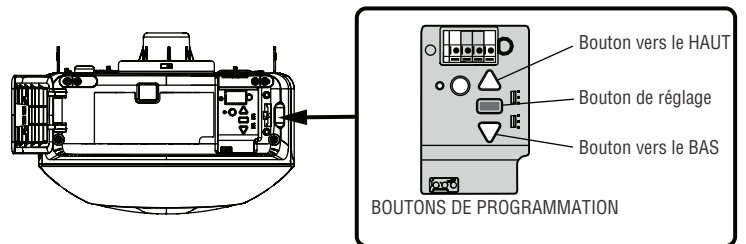
## PORTES MONOBLOCS UNIQUEMENT

Lors du réglage du déplacement vers le haut d'une porte à une seule pièce, assurez-vous que la porte n'est pas inclinée vers l'arrière lorsqu'elle est complètement ouverte (HAUTE). Si la porte est inclinée vers l'arrière, cela provoquera des secousses inutiles lors de l'ouverture ou de la fermeture de la porte.



## BOUTON DE PROGRAMMATION

Les boutons de programmation sont situés sur le panneau latéral gauche de l'ouvre-porte de garage et sont utilisés pour programmer le déplacement. Pendant la programmation, les boutons fléchés vers le HAUT et le BAS peuvent être utilisés pour déplacer la porte selon vos besoins.



# 1 - PROGRAMMEZ LE DÉPLACEMENT

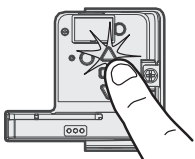
## ⚠️ ⚡ AVERTISSEMENT

Si le capteur d'inversion de sécurité n'est pas installé correctement, les personnes (en particulier les jeunes enfants) peuvent SUBIR DES BLESSURES GRAVES voire MORTELLES par une porte de garage qui se ferme.

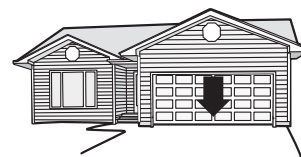
- Un réglage incorrect des limites de déplacement de la porte de garage empêchera le bon fonctionnement du système d'inversion de sécurité.
- Après TOUT réglage, le système d'inversion de sécurité DOIT être testé. La porte DOIT s'inverser au contact d'un objet d'une hauteur de 3,8 cm (1-1/2 po) (ou un 2x4 posé à plat) sur le sol.

**Remarque :** Pendant la programmation de la course, les boutons fléchés vers le HAUT et le BAS peuvent être utilisés pour déplacer la porte selon les besoins. Pendant la configuration de la force automatique, la porte s'ouvre et se ferme automatiquement.

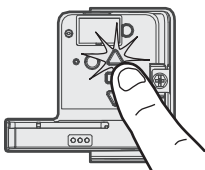
1 Appuyez et maintenez le bouton de réglage et maintenez-le enfoncé jusqu'à ce que le bouton fléché vers le HAUT commence à clignoter et/ou qu'un bip se fasse entendre. Les capteurs d'inversion de sécurité seront déconnectés pendant le processus de programmation du déplacement.



2 Appuyez et maintenez le bouton fléché vers le HAUT jusqu'à ce que la porte soit dans la position HAUTE souhaitée.



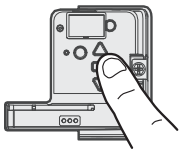
3 Lorsque la porte est dans la position HAUTE souhaitée, appuyez et relâchez le bouton de réglage. Les lumières de l'ouvre-porte de garage clignoteront deux fois et le bouton fléché vers le BAS commencera à clignoter.



4 Appuyez et maintenez le bouton fléché vers le BAS jusqu'à ce que la porte soit dans la position BASSE souhaitée.



5 Lorsque la porte est dans la position BASSE souhaitée, appuyez et relâchez le bouton de réglage. Les lumières de l'ouvre-porte de garage clignoteront deux fois.



programme du déplacement est maintenant terminée. Si les lumières de l'ouvre-porte de garage clignotent 5 fois, la programmation est terminée et les limites de déplacement n'ont pas été réglées. Veuillez redémarrer le processus de la programmation du déplacement.

# 2 - RÉGLAGE DE LA FORCE AUTOMATIQUE

Lorsque les positions de montée et de descente ont été réglées manuellement, les capteurs d'inversion de sécurité se reconnectent et deviennent opérationnels. L'ouvre-porte entre ensuite dans une opération de détection de force en déplaçant automatiquement la porte pour l'ouvrir et la fermer. L'ouvre-porte de garage émet une alerte sonore et visuelle avant d'ouvrir et de fermer automatiquement la porte. L'ouvre-porte de garage émettra trois bips, confirmant que la configuration de la force automatique s'est déroulée avec succès. Le réglage est terminé.

Si vous entendez un long bip après que la porte ait tenté de se déplacer, cela signifie que le réglage de la force automatique ne s'est pas déroulé correctement. Veuillez recommencer à l'étape 1 de Programmer le déplacement.

### 3 - TESTEZ LE SYSTÈME D'INVERSION DE SÉCURITÉ

#### **! AVERTISSEMENT**

Si le capteur d'inversion de sécurité n'est pas installé correctement, les personnes (en particulier les jeunes enfants) peuvent SUBIR DES BLESSURES GRAVES voire MORTELLES par une porte de garage qui se ferme.

- Le système d'inversion de sécurité DOIT être testé tous les mois.
- Après TOUT réglage, le système d'inversion de sécurité DOIT être testé. La porte DOIT s'inverser au contact d'un objet de 3,8 cm (1-1/2 po) de haut (ou 2x4 posé à plat) sur le sol.

1 La porte étant complètement ouverte, placez une planche de 3,8 cm (1 1/2 po) ou un 2x4 posé à plat sur le sol, centré(e) sous la porte du garage.



2 Appuyez sur le bouton poussoir de la télécommande pour fermer la porte. La porte DOIT s'inverser lorsqu'elle entre en contact avec la planche.



Si la porte s'arrête mais ne se réouvre pas :

1. Répétez la programmation du déplacement (voir l'étape de réglage 1) ;
2. Répétez le test d'inversion de sécurité.

Si le test continue d'échouer, appelez un technicien qualifié en systèmes de portes.

### 4 - TESTEZ LE PROTECTOR SYSTEM®

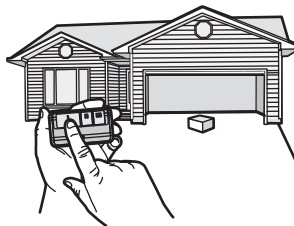
#### **! AVERTISSEMENT**

Si le capteur d'inversion de sécurité n'est pas installé correctement, les personnes (en particulier les jeunes enfants) peuvent SUBIR DES BLESSURES GRAVES voire MORTELLES causées par une porte de garage qui se ferme.

1 Ouvrez la porte. Placez un obstacle sur le chemin de la porte.



2 Appuyez sur le bouton poussoir de la télécommande pour fermer la porte. La porte ne bougera pas de plus de 2,5 cm (1 po).



L'ouvre-porte de garage ne se fermera pas à partir d'une télécommande si le témoin lumineux de l'un ou l'autre des capteurs est éteint (ce qui vous avertit du fait que le capteur est mal aligné ou obstrué).

Si l'ouvre-porte de garage ferme la porte lorsque le capteur d'inversion de sécurité est obstrué (et que les capteurs ne sont pas à plus de 15 cm [6 po] du sol), appelez un technicien qualifié en systèmes de portes.



# BATTERIE DE SECOURS MODÈLE CMXEOCG982

## INSTALLEZ LA BATTERIE DE SECOURS

### AVERTISSEMENT

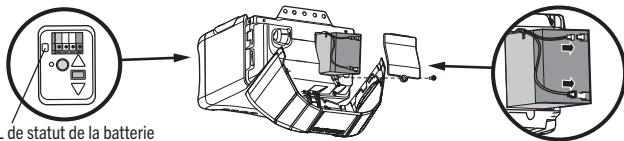
Pour réduire les risques d'INCENDIE ou de BLESSURE CORPORELLE :

- Débranchez TOUTE l'alimentation électrique et la batterie AVANT d'effectuer TOUT entretien ou toute maintenance.
- Utilisez uniquement la pièce G4228 pour remplacer la batterie.
- NE PAS jeter les batteries au feu. La batterie peut exploser. Vérifiez les codes locaux pour les instructions d'élimination.

### ATTENTION

Portez TOUJOURS des gants et des lunettes de protection lorsque vous changez la batterie ou que vous travaillez autour du compartiment de la batterie.

1. Débranchez l'ouvre-porte de garage.
2. Ouvrez la lentille d'éclairage sur le panneau latéral droit de l'ouvre-porte de garage. Utilisez un tournevis cruciforme pour retirer le couvercle de batterie de l'ouvre-porte de garage.
3. Insérez partiellement la batterie dans son compartiment, les bornes vers l'extérieur.
4. Connectez les fils rouge (+) et noir (-) de l'ouvre-porte de garage aux bornes correspondantes de la batterie.
5. Remettez en place le couvercle de la batterie.
6. Branchez l'ouvre-porte du garage.
7. Attendez que le voyant à DEL vert d'état de la batterie commence à clignoter avant de procéder au test de la batterie.



DEL de statut de la batterie

## TESTEZ LA BATTERIE

1. Débranchez l'ouvre-porte de garage. Le voyant à DEL de l'état de la batterie soit s'allumera en orange continu pour indiquer que l'ouvre-porte fonctionne batterie soit clignotera pour indiquer que la batterie est faible.  
**REMARQUE :** Assurez-vous que l'ouvre-porte de garage est débranché.
2. Ouvrez et fermez la porte à l'aide de la télécommande ou de la commande de porte. L'ouvre-porte de garage peut fonctionner plus lentement si la batterie n'est pas complètement chargée. La batterie mettra 24 heures à se charger complètement.
3. Branchez l'ouvre-porte du garage. Vérifiez que le voyant à DEL de la batterie clignote en vert, indiquant que la batterie est en cours de chargement.

## CHARGEZ LA BATTERIE

La batterie se charge lorsque l'ouvre-porte de garage est branché sur une prise électrique de 120 VCA qui a du courant et il faut 24 heures pour la charger complètement. Une batterie entièrement chargée fournit 12 VCC à l'ouvre-porte de garage pour un maximum de 24 heures pendant une panne de courant. Suite au rétablissement du courant électrique, la batterie se recharge en 24 heures. La batterie durera environ 1 à 2 ans dans des conditions normales d'utilisation. Les instructions de remplacement sont fournies avec la batterie. Pour obtenir une durée de vie maximale de la batterie et éviter tout dommage, débranchez la batterie lorsque l'ouvre-porte de garage est débranché pendant une période prolongée, par exemple à votre chalet.

**REMARQUE :** Lorsque l'ouvre-porte de garage est en mode de sauvegarde par batterie, son éclairage, sa minuterie de fermeture et sa fonction de fermeture à distance ne sont pas disponibles.

## DEL DE STATUT DE LA BATTERIE

**REMARQUE :** Le voyant à DEL d'état de la batterie est plus visible lorsque l'ouvre-porte de garage est éteint. Il n'est pas nécessaire que la batterie soit complètement chargée pour faire fonctionner l'ouvre-porte de garage.

### DEL VERTE :

Tous les systèmes sont normaux.

- Un voyant DEL vert indique que la batterie est entièrement chargée.
- Un voyant DEL vert clignotant indique que la batterie est en cours de chargement.

### DEL ORANGE :

L'ouvre-porte de garage a perdu de l'énergie et est en mode de secours par batterie.

- Un voyant à DEL orange allumé en continu accompagné d'un signal sonore, émis toutes les 2 secondes environ, indique que l'ouvre-porte de garage fonctionne sur batterie.
- Un voyant à DEL orange clignotant accompagné d'un bip sonore toutes les 30 secondes indique que la batterie est faible.

### DEL ROUGE :

La batterie 12 V de l'ouvre-porte de garage doit être remplacée.

- Un voyant à DEL rouge allumé en continu avec un bip sonore toutes les 30 secondes indique que la batterie 12 V ne tient plus la charge et doit être remplacée. Veuillez nous contacter pour obtenir une batterie de rechange qui permettra à votre système de fonctionner pendant toute panne de courant.

# COMMANDE PAR TÉLÉPHONE INTELLIGENT myQ®

## CONNECTEZ-VOUS AVEC VOTRE TÉLÉPHONE INTELLIGENT

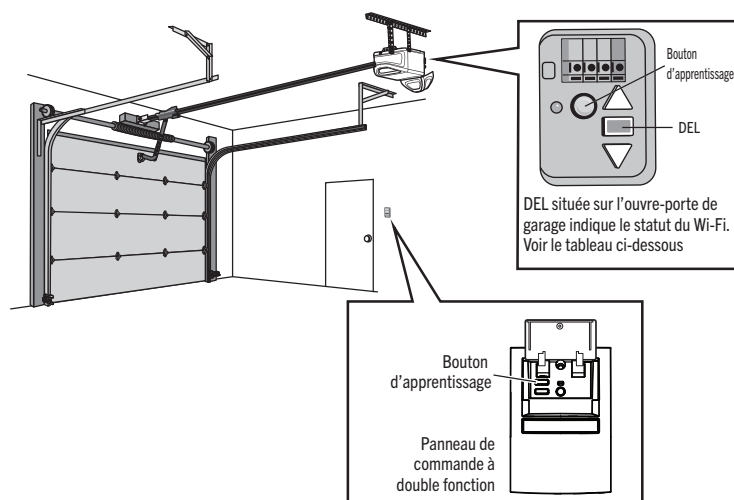
### VOUS AUREZ BESOIN DE CE QUI SUIT :

- Un téléphone intelligent, une tablette ou un ordinateur portable compatible avec le Wi-Fi
- Une connexion Internet à large bande
- Signal Wi-Fi® dans le garage (2,4 Ghz, 802.11b/g/n requis), voir page 4
- Mot de passe pour votre réseau domestique (le compte principal du routeur; pas le réseau invité)
- Numéro de série myQ® indiqué sur l'ouvre-porte de garage

## TÉLÉCHARGEZ L'APPLICATION myQ® POUR CRÉER UN COMPTE ET VOUS CONNECTER

Ouvrez et fermez votre porte, recevez des alertes et définissez des horaires à partir de n'importe où. Les ouvre-portes de garage intelligents connectés reçoivent également des mises à jour logicielles afin de garantir que l'ouvre-porte dispose des dernières fonctionnalités opérationnelles.

1. Téléchargez l'application myQ®.
2. Créez un compte et connectez-vous.



STATUT WI-FI	
DEL	Définition
Bleu	<b>Éteint</b> - Le Wi-Fi n'est pas activé. <b>Clignotant</b> - L'ouvre-porte de garage est en mode d'apprentissage Wi-Fi. <b>Allumé en continu</b> - L'appareil mobile est connecté à l'ouvre-porte de garage.
Bleu et vert	<b>Clignotant</b> - Tentative de connexion au routeur.
Vert	<b>Clignotant</b> - Tentative de connexion au serveur Internet. <b>Allumé en continu</b> - Le Wi-Fi a été configuré et l'ouvre-porte de garage est connecté à Internet.

### REMARQUES :

La commande de l'application myQ® ne fonctionnera PAS si l'ouvre-porte de garage fonctionne sur batterie.

Pour effacer les paramètres Wi-Fi de l'ouvre-porte, voir page 39.

# FONCTIONNEMENT

## CONSIGNES DE SÉCURITÉ IMPORTANTES



### Pour réduire le risque de BLESSURES GRAVES voire MORTELLES :

1. LISEZ ET SUIVEZ TOUS LES AVERTISSEMENTS ET TOUTES LES INSTRUCTIONS.
2. Gardez TOUJOURS les télécommandes hors de portée des enfants. Ne permettez JAMAIS aux enfants de manipuler ou de jouer avec les boutons-poussoirs ou les télécommandes de la porte de garage.
3. N'activez la porte du garage QUE lorsqu'elle est bien visible, qu'elle est correctement réglée et qu'il n'y a pas d'obstacles à son déplacement.
4. Gardez TOUJOURS la porte de garage en vue et loin des personnes et des objets jusqu'à ce qu'elle soit complètement fermée. NE TRAVERSEZ JAMAIS LA PORTE LORSQU'ELLE EST EN MOUVEMENT.
5. PERSONNE NE DEVRAIT PASSER SOUS UNE PORTE ARRÊTÉE OU PARTIELLEMENT OUVERTE.
6. Dans la mesure du possible, utilisez UNIQUEMENT la poignée de déclenchement d'urgence pour désengager le chariot lorsque la porte du garage est FERMÉE. Soyez prudent lorsque vous utilisez cette poignée pendant que la porte est ouverte. Des ressorts abîmés ou une porte mal équilibrée pourraient entraîner une chute rapide ou inattendue d'une porte ouverte et augmenter le risque de BLESSURE GRAVE voire MORTELLE.
7. N'utilisez JAMAIS la poignée de déclenchement d'urgence avant que toutes les personnes et les obstacles aient été retirés du trajet qu'elle suivra.
8. N'utilisez JAMAIS la poignée pour ouvrir ou fermer la porte du garage. Si le nœud de la corde se défait, vous risquez de tomber.
9. Après TOUT réglage, le système d'inversion de sécurité DOIT être testé.
10. Le système d'inversion de sécurité DOIT être testé tous les mois. La porte DOIT s'inverser au contact d'un objet de 3,8 cm (1-1/2 po) de haut (ou 2x4 posé à plat) sur le sol. Une installation inadéquate de l'ouvre-porte de garage augmente le risque de BLESSURE GRAVE ou MORTELLE.
11. GARDEZ TOUJOURS LA PORTE DE GARAGE BIEN ÉQUILIBRÉE (voir page 3). Une porte mal équilibrée risque de ne PAS s'inverser lorsque cela est nécessaire et pourrait entraîner des BLESSURES GRAVES voir MORTELLES.
12. TOUTES les réparations de câbles, de ressorts et d'autres éléments, qui sont tous soumis à une tension EXTRÊME, DOIVENT être effectuées par un technicien qualifié en systèmes de portes.
13. Débranchez TOUJOURS l'alimentation électrique et la batterie de l'ouvre-porte de garage AVANT d'effectuer TOUTE réparation ou d'enlever les couvercles.
14. Ce système de commande est équipé d'une fonction de fonctionnement sans surveillance. La porte pourrait bouger de façon inattendue. NE TRAVERSEZ JAMAIS LA PORTE LORSQU'ELLE EST EN MOUVEMENT.
15. Ne l'installez PAS sur une porte monobloc si vous utilisez des dispositifs ou des fonctionnalités permettant une fermeture sans surveillance. Les dispositifs et fonctionnalités sans surveillance doivent être utilisés UNIQUEMENT avec des portes sectionnelles.

### 16. CONSERVER CES INSTRUCTIONS.

## CARACTÉRISTIQUES

Votre ouvre-porte de garage est équipé de fonctions qui vous permettent de mieux contrôler le fonctionnement de votre porte de garage.

### myQ® (N'ACTIVEZ PAS SUR LES PORTES MONOBLOCS)

la technologie myQ® utilise un signal de 900 MHz pour assurer une communication bidirectionnelle entre l'ouvre-porte de garage et les accessoires compatibles myQ®. Cet ouvre-porte de garage est compatible avec jusqu'à 8 accessoires myQ®.

### POUR LES MODÈLES CMXE0CG772 ET CMXE0CG982 MINUTERIE DE FERMETURE (TTC) (N'ACTIVEZ PAS SUR LES PORTES MONOBLOCS)

La fonction Minuterie de fermeture ferme automatiquement la porte après une période de temps déterminée qui peut être réglée à l'aide de la commande de porte. La fermeture de la porte sera précédée par une alerte sonore et visuelle.

### TÉLÉCOMMANDES ET COMMANDES DE PORTE

Votre ouvre-porte de garage a déjà été programmé en usine pour fonctionner avec votre télécommande, qui change à chaque utilisation, accédant de manière aléatoire à plus de 100 milliards de nouveaux codes.

Accessoires myQ®	CAPACITÉ DE MÉMOIRE
Commandes à distance :	Jusqu'à 8
Commandes de porte	Jusqu'à 2 commandes de porte myQ®
Claviers sans fil	Jusqu'à 1

### SYSTÈME D'INVERSION DE SÉCURITÉ

Lorsqu'ils sont connectés et alignés correctement, les capteurs d'inversion de sécurité détectent une obstruction dans la trajectoire du faisceau infrarouge. Si un obstacle brise le faisceau infrarouge pendant la fermeture de la porte, la porte s'arrête, puis retourne en position complètement ouverte. Si la porte est complètement ouverte et que les capteurs d'inversion de sécurité ne sont pas installés ou sont mal alignés, la porte ne se fermera pas à l'aide d'une télécommande. Cependant, vous pouvez fermer la porte si vous maintenez le bouton de la commande de la porte ou du clavier sans fil jusqu'à ce que la porte soit complètement fermée. Les capteurs d'inversion de sécurité n'affectent pas le cycle d'ouverture.

## LUMIÈRES

Les lumières de l'ouvre-porte de garage s'allument lorsque l'ouvre-porte est initialement branché, lorsque le courant est rétabli après une interruption ou lorsque l'ouvre-porte de garage est activé. Les lumières s'éteignent automatiquement après 4 minutes et demie. Une ampoule à incandescence A19 (100 watts maximum) ou, pour une efficacité énergétique maximale, une ampoule fluorescente compacte (CFL) de 26W (équivalent 100W) peuvent être utilisées.

Les ampoules DEL peuvent causer des interférences radio avec la télécommande. Le modèle CMXE0CG982 est équipé de 2 ampoules DEL. Nous recommandons l'utilisation de ces ampoules en remplacement afin que la portée de l'émetteur ne soit pas réduite.

### POUR LE MODÈLE CMXE0CG982 BATTERIE DE SECOURS

La batterie de secours de 12 V permet d'entrer et de sortir de votre garage, même en cas de panne de courant. Lorsque l'ouvre-porte de garage fonctionne sur batterie, l'ouvre-porte de garage fonctionnera plus lentement, la lumière ne fonctionnera pas, le voyant DEL d'état de la batterie sera orange fixe et un bip retentira toutes les 2 secondes environ.

### UTILISATION DE VOTRE OUVRE-PORTE DE GARAGE

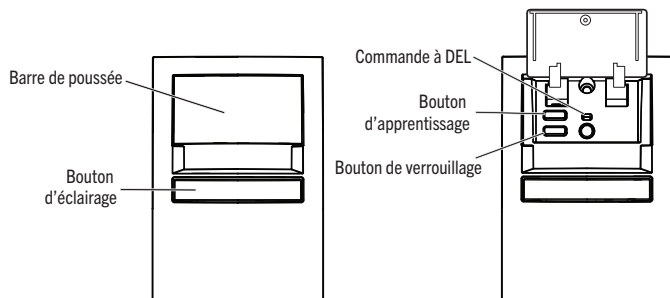
L'ouvre-porte de garage peut être activé par une commande de porte murale, une télécommande, un clavier sans fil ou un accessoire myQ®.

Lorsque la porte est fermée et que l'ouvre-porte de garage est activé, la porte s'ouvre. Si la porte entre en contact avec un obstacle pendant l'ouverture, la porte s'arrête, l'ouvre-porte émet des bips et les lumières clignotent 5 fois. Lorsque la porte est dans une position autre que fermée et que l'ouvre-porte de garage est activé, la porte se ferme. Si la porte de garage entre en contact avec un obstacle pendant la fermeture, la porte s'inverse, l'ouvre-porte émet des bips et les lumières clignotent 5 fois. Cependant, vous pouvez fermer la porte si vous maintenez le bouton de la commande de la porte ou du clavier sans fil jusqu'à ce que la porte soit complètement fermée.

Les capteurs d'inversion de sécurité n'affectent pas le cycle d'ouverture. Le capteur d'inversion de sécurité doit être connecté et aligné correctement avant que l'ouvre-porte de garage fasse descendre la porte.

## PANNEAU DE COMMANDE À DOUBLE FONCTION MODÈLE CMXEOCG572

**SYNCHRONISEZ LA COMMANDE DE PORTE** Pour synchroniser la commande de la porte à l'ouvre-porte du garage, appuyez sur la barre de poussée jusqu'à ce que l'ouvre-porte du garage se mette en fonction (cela peut prendre jusqu'à trois poussées). Essayez la commande de la porte en appuyant sur la barre de poussée, chaque poussée sur la barre de poussée activera l'ouvre-porte du garage.



**BARRE DE POUSSÉE** : Appuyez sur la barre de poussée pour ouvrir ou fermer la porte.

**BOUTON LIGHT (lumière)** : Allume ou éteint les lumières de l'ouvre-porte de garage. Lorsque les lumières sont allumées, elles le demeureront jusqu'à ce que le bouton LIGHT soit enfoncé à nouveau, ou jusqu'à ce que l'ouvre-porte de garage soit activé. Une fois l'ouvre-porte de garage activé, les lumières s'éteignent après le délai précisé (le paramètre réglé en usine est de 4 minutes et demie). Le bouton LIGHT ne permet pas de contrôler les lumières lorsque la porte est en mouvement.

Pour modifier la durée pendant laquelle les lumières restent allumées :

Appuyez sur le bouton LOCK et maintenez-le enfoncé (environ 10 secondes) jusqu'à ce que les lumières de l'ouvre-porte de garage clignotent. L'intervalle de temps est indiqué par le nombre de clignotements de l'ouvre-porte de garage :

- 1 clignotement représente 1-1/2 minute
- 2 clignotements représentent 2-1/2 minutes
- 3 clignotements représentent 3-1/2 minutes
- 4 clignotements représentent 4-1/2 minutes

Pour passer le cycle des intervalles, répétez les étapes ci-dessus. Si la barre de poussée clignote continuellement, le verrou (LOCK) doit être mis à l'arrêt.

**BOUTON LEARN (apprentissage)** : Toute télécommande compatible, tout clavier sans fil ou tout dispositif myQ® peut être programmé sur la porte de garage à l'aide du bouton LEARN.

**VERROU** : Empêche l'ouverture de la porte du garage d'être activée par des télécommandes tout en permettant l'activation par la commande de la porte et le clavier sans fil.

Mise en marche :

Appuyez et maintenez le bouton LOCK pendant deux secondes. Le voyant DEL clignote tant que la fonction de verrouillage est activée.

Pour arrêter :

Appuyez et maintenez le bouton LOCK pendant deux secondes. Le voyant DEL cesse de clignoter et le fonctionnement normal reprend.

### Minuterie de fermeture (N'activez PAS sur les portes monoblocs)

La fonction de minuterie de fermeture n'est pas disponible sur toutes les commandes de porte. Vous trouverez ci-dessous une liste des commandes de porte dotées de la fonction de minuterie de fermeture :

La minuterie de fermeture permet de fermer automatiquement la porte de garage après une période déterminée. **N'activez PAS la TTC si vous utilisez une porte monobloc. La TTC doit être utilisée UNIQUEMENT avec les portes sectionnelles.** La valeur par défaut est Désactivée. L'ouvre-porte de garage émet un bip et les lumières clignotent avant la fermeture de la porte. La fonction TTC se désactive si la porte de garage rencontre deux fois un obstacle ou si les capteurs d'inversion de sécurité sont mal installés. La porte de garage s'ouvrira et ne se fermera PAS tant que les obstructions ne seront pas dégagées ou que les capteurs d'inversion de sécurité ne seront pas correctement installés. Une fois que l'obstacle a été dégagé ou que les capteurs d'inversion de sécurité ont été alignés, la porte se ferme quand l'ouvre-porte de garage est activé. La TTC ne fonctionnera pas si l'ouvre-porte de garage fonctionne sur batterie ou si les capteurs d'inversion de sécurité sont désalignés. Cette fonction n'est PAS destinée à être la principale méthode de fermeture de la porte. **Un clavier sans fil doit être installé en cas de verrouillage accidentel lors de l'utilisation de cette fonction.**

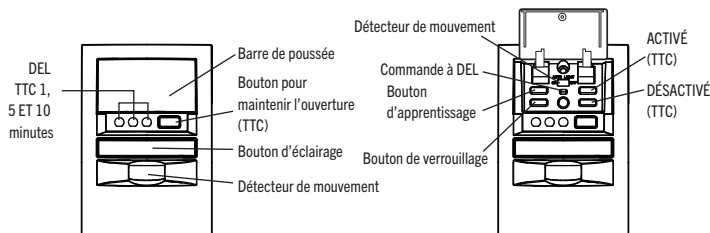
## COMMANDE DE PORTE MODÈLE CMXEOCG322

**SYNCHRONISEZ LA COMMANDE DE PORTE** Pour synchroniser la commande de la porte avec l'ouvre-porte de garage, appuyez sur le bouton poussoir jusqu'à ce que l'ouvre-porte de garage s'active (cela peut prendre jusqu'à 3 pressions).



## PANNEAU DE COMMANDE DE DÉTECTION DE MOUVEMENT MODÈLES CMXEOCG772 ET CMXEOCG982

**SYNCHRONISEZ LA COMMANDE DE PORTE** Pour synchroniser la commande de la porte à l'ouvre-porte du garage, appuyez sur la barre de poussée jusqu'à ce que l'ouvre-porte du garage se mette en fonction (cela peut prendre jusqu'à trois poussées). Essayez la commande de la porte en appuyant sur la barre de poussée, chaque poussée sur la barre de poussée activera l'ouvre-porte du garage.



**BARRE DE POUSSÉE** : Appuyez sur la barre de poussée pour ouvrir ou fermer la porte.

**BOUTON LIGHT (lumière)** : Allume ou éteint les lumières de l'ouvre-porte de garage. Lorsque les lumières sont allumées, elles le demeureront jusqu'à ce que le bouton LIGHT soit enfoncé à nouveau, ou jusqu'à ce que l'ouvre-porte de garage soit activé. Une fois l'ouvre-porte de garage activé, les lumières s'éteignent après le délai précisé (le paramètre réglé en usine est de 4 minutes et demie). Le bouton LIGHT ne permet pas de contrôler les lumières lorsque la porte est en mouvement.

Pour modifier la durée pendant laquelle les lumières restent allumées :

Appuyez sur le bouton LOCK et maintenez-le enfoncé (environ 10 secondes) jusqu'à ce que les lumières de l'ouvre-porte de garage clignotent. L'intervalle de temps est indiqué par le nombre de clignotements de l'ouvre-porte de garage :

- 1 clignotement représente 1-1/2 minute
- 2 clignotements représentent 2-1/2 minutes
- 3 clignotements représentent 3-1/2 minutes
- 4 clignotements représentent 4-1/2 minutes

Pour passer le cycle des intervalles, répétez les étapes ci-dessus. Si la barre de poussée clignote continuellement, le verrou (LOCK) doit être mis à l'arrêt.

**BOUTON LEARN (apprentissage)** : Toute télécommande compatible, tout clavier sans fil ou tout dispositif myQ® peut être programmé sur la porte de garage à l'aide du bouton LEARN.

**DÉTECTEUR DE MOUVEMENT** : Ce capteur de mouvement permet d'allumer automatiquement les lumières de l'ouvre-porte de garage lorsqu'un mouvement est détecté. L'éclairage s'allume pendant la période définie, puis s'éteignent. Si vous utilisez l'éclairage de l'ouvre-porte de garage comme éclairage de travail, désactivez le détecteur de mouvement, sinon l'éclairage risque de s'éteindre automatiquement si vous êtes hors de portée du détecteur de mouvement.

L'interrupteur du capteur de mouvement permet d'activer ou de désactiver le capteur de mouvement.

**VERROU** : Empêche l'ouverture de la porte du garage d'être activée par des télécommandes tout en permettant l'activation par la commande de la porte et le clavier sans fil.

Mise en marche :

Appuyez et maintenez le bouton LOCK pendant deux secondes. Le voyant DEL clignote tant que la fonction de verrouillage est activée.

Pour arrêter :

Appuyez et maintenez le bouton LOCK pendant deux secondes. Le voyant DEL cesse de clignoter et le fonctionnement normal reprend.

**Minuterie de fermeture (TTC) (La valeur par défaut est Désactivée)** : La fonction Minuterie de fermeture ferme automatiquement la porte après une période de temps déterminée qui peut être réglée à l'aide de la commande de porte. N'activez PAS la TTC si vous utilisez une porte monobloc. La TTC doit être utilisée UNIQUEMENT avec les portes sectionnelles. L'ouvre-porte de garage émet un bip et les lumières clignotent avant la fermeture de la porte. La fonction TTC se désactive si la porte de garage rencontre deux fois un obstacle ou si les capteurs d'inversion de sécurité sont mal installés. La porte de garage s'ouvrira et ne se fermera PAS tant que les obstructions ne seront pas dégagées ou que les capteurs d'inversion de sécurité ne seront pas correctement installés. Une fois que l'obstacle a été dégagé ou que les capteurs d'inversion de sécurité ont été alignés, la porte se ferme quand l'ouvre-porte de garage est activé. La TTC ne fonctionnera pas si l'ouvre-porte de garage fonctionne sur batterie ou si les capteurs d'inversion de sécurité sont désalignés. Cette fonction n'est PAS destinée à être la principale méthode de fermeture de la porte. Un clavier sans fil doit être installé en cas de verrouillage accidentel lors de l'utilisation de cette fonction.

Pour activer ou désactiver la TTC ou pour définir l'intervalle de temps de la TTC :

Mise en marche :

1. Appuyez sur le bouton ON (activer) et maintenez-le enfoncé jusqu'à ce que l'une de DEL de la TTC s'allume.
2. Appuyez ensuite à nouveau sur le bouton ON pour faire défiler les options d'intervalle de temps. L'intervalle de temps TTC peut être réglé sur 1, 5 et 10 minutes (le voyant TTC correspondant s'allume pour chaque intervalle de temps). Les ampoules de l'ouvre-porte de garage clignoteront pour confirmer. Une fois que la TTC a été réglée et que la porte est ouverte, le voyant TTC correspondant à l'intervalle de fermeture sélectionné clignote et commence le compte à rebours pour la fermeture de la porte.

Pour arrêter :

1. Appuyez sur le bouton OFF (désactiver) et maintenez-le enfoncé jusqu'à ce que toutes les DEL TTC s'éteignent et qu'un bip soit émis par l'ouvre-porte de garage.

Maintenir temporairement la porte ouverte (suspendre le TTC) :

1. Appuyez brièvement sur le bouton de HOLD OPEN (rester ouvert).
2. Appuyez à nouveau sur le bouton HOLD OPEN pour reprendre le fonctionnement normal de la TTC.

## TÉLÉCOMMANDE ET CLAVIER SANS FIL

Télécommande préprogrammée incluse, pas besoin de la programmer.

Pour ajouter ou reprogrammer une télécommande, suivez les instructions ci-dessous.

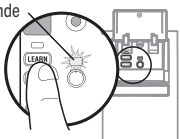
### PROGRAMMATION UTILISATION DE LA COMMANDE DE PORTE

1. Appuyez sur le bouton LEARN (apprentissage) sur la commande de la porte pour entrer dans le mode de programmation.
2. Appuyez à nouveau sur le bouton LEARN (apprentissage), le voyant à DEL clignote une fois.
3. **Télécommande** : Appuyez sur le bouton de la télécommande que vous voulez utiliser pour faire fonctionner votre porte de garage.

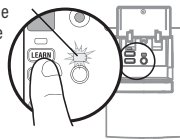
**Clavier sans fil** : Saisissez un numéro d'identification personnel (NIP) à 4 chiffres de votre choix sur le clavier sans fil. Appuyez ensuite sur la touche ENTER (entrée).

Les lumières de l'ouvre-porte de garage clignoteront (ou vous entendrez deux clics) lorsque le code est programmé.

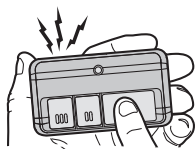
- 1 La DEL de la commande clignote une fois.



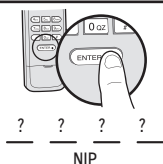
- 2 La DEL de la commande clignote à nouveau une fois.



3



OU



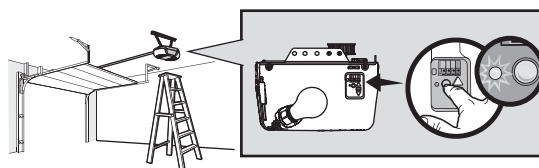
## POUR EFFACER LA MÉMOIRE

### EFFACER TOUTES LES TÉLÉCOMMANDES ET TOUS LES CLAVIERS SANS FIL.

1. Appuyez et maintenez le bouton LEARN (apprentissage) sur l'ouvre-porte jusqu'à ce que le voyant à DEL LEARN s'éteigne (environ 6 secondes). Tous les codes de télécommandes et des claviers sans fil sont maintenant effacés. Reprogrammez tout accessoire que vous voulez utiliser.

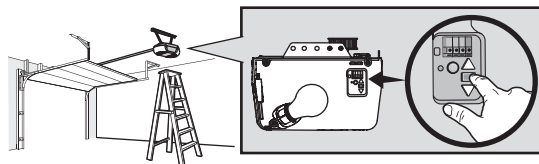
### EFFACER TOUS LES APPAREILS (Y COMPRIS LES ACCESSOIRES COMPATIBLES myQ®)

1. Appuyez et maintenez le bouton LEARN (apprentissage) sur l'ouvre-porte jusqu'à ce que le voyant à DEL LEARN s'éteigne (environ 6 secondes).
2. Appuyez immédiatement sur le bouton LEARN (apprentissage) et maintenez-le enfoncé jusqu'à ce que le voyant à DEL correspondant s'éteigne. Tous les codes sont maintenant supprimés. Reprogrammez tout accessoire que vous voulez utiliser.



### EFFACER LA CONNEXION DE L'OUVRE-PORTE DE GARAGE AU RÉSEAU WI-FI DOMESTIQUE

1. Appuyez sur le bouton de réglage noir de l'ouvre-porte de garage et maintenez-le enfoncé jusqu'à ce que vous entendiez 3 bips (environ 6 secondes).



## POUR OUVRIR LA PORTE MANUELLEMENT

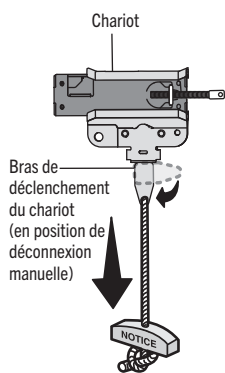
### ⚠️ AVERTISSEMENT

Pour éviter d'éventuelles BLESSURES GRAVES voire MORTELLES causées par une porte de garage qui tombe :

- Dans la mesure du possible, utilisez UNIQUEMENT la poignée de déclenchement d'urgence pour désengager le chariot lorsque la porte de garage est FERMÉE. Des ressorts faibles ou cassés, ou une porte déséquilibrée peuvent entraîner une chute rapide et/ou inattendue d'une porte ouverte.
- N'utilisez JAMAIS la poignée de déclenchement d'urgence avant que toutes les personnes et les obstacles aient été retirés du trajet qu'elle suivra.
- N'utilisez JAMAIS la poignée pour ouvrir ou fermer la porte. Si le nœud de la corde se défait, vous risquez de tomber.

### DÉCONNECTER LE CHARIOT

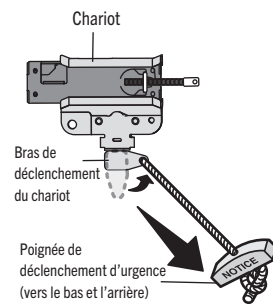
1. Si possible, la porte devrait être fermée complètement.
2. Tirez sur la poignée de déclenchement d'urgence afin que le bras de déclenchement du chariot s'enclenche en position verticale. La porte peut maintenant être montée et descendue aussi souvent que nécessaire.



Position de verrouillage (déconnexion manuelle)

### POUR RECONNECTER LE CHARIOT

1. Tirez la poignée de déclenchement vers l'ouvre-porte de garage afin que le bras de déclenchement du chariot s'enclenche en position horizontale. Le chariot se connectera à nouveau lors du prochain mouvement vers le HAUT ou le BAS, soit de façon manuelle soit en utilisant la commande de la porte ou la télécommande.



Pour se reconnecter

## BATTERIE DE LA TÉLÉCOMMANDE

### ⚠️ AVERTISSEMENT

Pour éviter d'éventuelles BLESSURES GRAVES voire MORTELLES :

- Ne laissez JAMAIS de jeunes enfants s'approcher des piles.
- En cas d'ingestion de la pile, prévenez immédiatement un médecin.

Pour réduire les risques d'incendie, d'explosion ou de brûlures chimiques respectez ce qui suit :

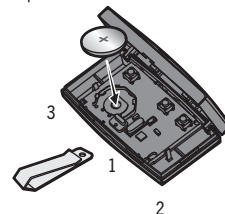
- Utilisez SEULEMENT des piles CR2032 de 3 V pour remplacer.
- Ne rechargez, démontez, chauffez PAS à plus de 100 °C (212 °F) et n'incinerez PAS.

La pile au lithium devrait fonctionner jusqu'à 3 ans.

Pour remplacer la pile, utilisez le clip du pare-soleil ou la lame du tournevis pour faire levier pour ouvrir le boîtier comme indiqué. Insérez la pile, face positive vers le haut.

Remplacez les piles seulement avec des piles CR2032 de 3 V. Jetez les piles usagées de manière appropriée.

Ouvrez le boîtier d'abord au milieu (1), puis de chaque côté (2 et 3) avec le clip du pare-soleil.



## ENTRETIEN DE VOTRE OUVERE-PORTE

### PLANIFICATION DE L'ENTRETIEN

#### TOUS LES MOIS

- Activez manuellement la porte. Si elle est déséquilibrée ou pliée, appelez un technicien qualifié en systèmes de porte.
- Vérifiez que la porte ouvre et ferme au complet. Ajustez si nécessaire, voir page 29.
- Testez le système d'inversion de sécurité. Ajustez si nécessaire, voir page 32.

#### TOUS LES ANS

- Huilez les rouleaux, les roulements et les charnières de porte. L'ouvre-porte de garage ne nécessite pas davantage de lubrification. N'appliquez pas de la graisse sur les rails de la porte.
- Testez la batterie de secours et songez à la remplacer pour vous assurer que l'ouvre-porte de garage fonctionnera en cas de panne d'électricité; voir page 33 pour tester la batterie de secours.

AVIS : Cet appareil est conforme à la partie 15 du règlement de la FCC ainsi qu'avec le CNR exempt de licence d'Innovation, Science et Développement économique Canada. Son utilisation est soumise à deux conditions suivantes : (1) cet appareil ne doit pas causer d'interférences nuisibles, et (2) cet appareil doit accepter toutes les interférences reçues, y compris les interférences qui peuvent causer le fonctionnement indésirable de l'appareil.

Les modifications ou les changements non expressément approuvés par la partie responsable de la conformité peuvent annuler l'autorité de l'utilisateur à utiliser l'équipement.

Cet appareil doit être installé pour qu'une distance minimum de 20 cm (8 po) soit maintenue entre les utilisateurs, les passants et l'appareil.

Cet appareil a été testé et s'est avéré conforme aux limites d'un appareil numérique de classe B selon la partie 15 des règlements de la FCC et des normes ICES d'Industrie Canada. Ces limites ont pour objet de fournir une protection raisonnable contre les interférences nuisibles dans une installation résidentielle. Cet équipement produit, utilise et peut rayonner de l'énergie radiofréquence et, s'il n'est pas installé et utilisé conformément aux instructions, il risque de causer des interférences nuisibles aux communications radio. Toutefois, il n'est pas possible de garantir l'absence d'interférences dans une installation particulière. Si cet équipement cause des interférences nuisibles à la réception radio ou TV, ce qui peut être déterminé en éteignant puis en le rallumant, l'utilisateur est invité à essayer de corriger l'interférence en prenant au moins l'une des mesures suivantes :

- Réorientez ou déplacez l'antenne réceptrice.
- Éloignez l'appareil de l'équipement ou du récepteur.
- Branchez l'équipement sur une prise correspondant à un autre circuit que celui sur lequel le récepteur est branché.
- Consultez le revendeur ou un technicien radio/TV.



# DÉPANNAGE

## TABLEAU DES DIAGNOSTICS

Votre ouvre-porte de garage est programmé pour s'autodiagnostiquer. Les flèches vers le HAUT et le BAS de l'ouvre-porte de garage clignotent pour indiquer les codes de diagnostics.

FLÈCHE VERS LE HAUT CLIGNOTE	FLÈCHE VERS LE BAS CLIGNOTE	SYMPTÔME	SOLUTION
1	1	L'ouvre-porte de garage ne ferme pas la porte.	Les capteurs d'inversion de sécurité ne sont pas installés, connectés ou les fils sont peut-être coupés. Inspectez les fils des capteurs pour vous assurer qu'ils sont connectés et ne sont pas coupés.
1	2	L'ouvre-porte de garage ne ferme pas la porte.	Il y a un court circuit ou une inversion du fil des capteurs d'inversion de sécurité. Inspectez le fil du capteur de sécurité à toutes les agrafes et les points de connexion, remplacez le fil ou corrigez la situation, au besoin.
1	3	La commande de la porte ne fonctionne pas.	Les fils de la commande de la porte sont court-circuités ou la commande de la porte fait défaut. Inspectez le fil du capteur de sécurité à toutes les agrafes et les points de connexion, remplacez le fil ou corrigez la situation, au besoin.
1	4	L'ouvre-porte de garage ne ferme pas la porte.	Les capteurs d'inversion de sécurité ne sont pas alignés correctement ou étaient momentanément obstrués. Alignez correctement les deux capteurs pour vous assurer que les deux voyants à DEL sont allumés en continu et ne clignotent pas. Assurez-vous que rien n'est suspendu ou installé sur la porte de façon à interrompre le chemin du capteur lorsque la porte ferme.
1	5	La porte bouge de 15-20 cm (6-8 po), s'arrête et remonte.	Ouvrez et fermez la porte manuellement. Vérifiez si elle est pliée ou s'il y a des obstructions comme un ressort brisé ou le dispositif de verrouillage et corrigez la situation, au besoin. Vérifiez les connexions des fils au module de déplacement et à la carte mère. Remplacez le module de déplacement, au besoin.
		Il n'y a aucun mouvement, seulement un clic.	Ouvrez et fermez la porte manuellement. Vérifiez si elle est pliée ou s'il y a des obstructions comme un ressort brisé ou le dispositif de verrouillage et corrigez la situation, au besoin. Remplacez la carte mère si nécessaire.
		L'ouvre-porte émet un son de bourdonnement pendant 1 à 2 secondes sans mouvement.	Ouvrez et fermez la porte manuellement. Vérifiez si elle est pliée ou s'il y a des obstructions comme un ressort brisé ou le dispositif de verrouillage et corrigez la situation, au besoin. Remplacez le moteur, au besoin.
1	6	La porte continue à glisser après s'être arrêtée complètement.	Programmez la course jusqu'à la position de glissement ou faites équilibrer la porte par un technicien qualifié en systèmes de portes.
2	1-5	Aucun mouvement ou son.	Remplacez la carte mère.
3	2	Incapacité à régler le déplacement ou à garder la position.	Vérifiez le module de déplacement pour avoir le bon assemblage, remplacez-le, au besoin.
3	3	La DEL de statut de la batterie clignote constamment en vert.	Erreur du circuit de la batterie de secours, remplacez la carte mère.
4	1-4	La porte bouge, s'arrête et change de direction. L'ouvre-porte émet des bips et les voyants clignotent.	Ouvrez et fermez la porte manuellement. Vérifiez si elle est pliée ou s'il y a des obstructions comme un ressort brisé ou le dispositif de verrouillage et corrigez la situation, au besoin. Si la porte plie, ou colle, communiquez avec un technicien qualifié en systèmes de portes. Si la porte ne se bloque pas ou ne se coince pas, essayez de reprogrammer le déplacement (voir page 31).
4	5	L'ouvre-porte fonctionne environ pour un déplacement de 15 à 30 cm (6 à 8 po), s'arrête et change la direction du déplacement.	Erreur de communication avec le module de déplacement. Vérifiez les connexions du module de déplacement, remplacez le module de déplacement, au besoin.
4	6	L'ouvre-porte de garage ne ferme pas la porte.	Les capteurs d'inversion de sécurité ne sont pas alignés correctement ou étaient momentanément obstrués. Alignez correctement les deux capteurs pour vous assurer que les deux voyants à DEL sont allumés en continu et ne clignotent pas. Assurez-vous que rien n'est suspendu ou installé sur la porte de façon à interrompre le chemin du capteur lorsque la porte ferme.

Il s'agit de problèmes supplémentaires de dépannage qui n'apparaîtront pas dans les codes de diagnostic :

### Ma télécommande n'active pas la porte de garage :

- Vérifiez que la fonction de verrouillage n'est pas activée sur la commande de la porte.
- Reprogrammez la commande de la porte.

### La télécommande de mon voisin ouvre ma porte de garage :

Effacez la mémoire de votre ouvre-porte de garage et reprogrammez la ou les télécommandes.

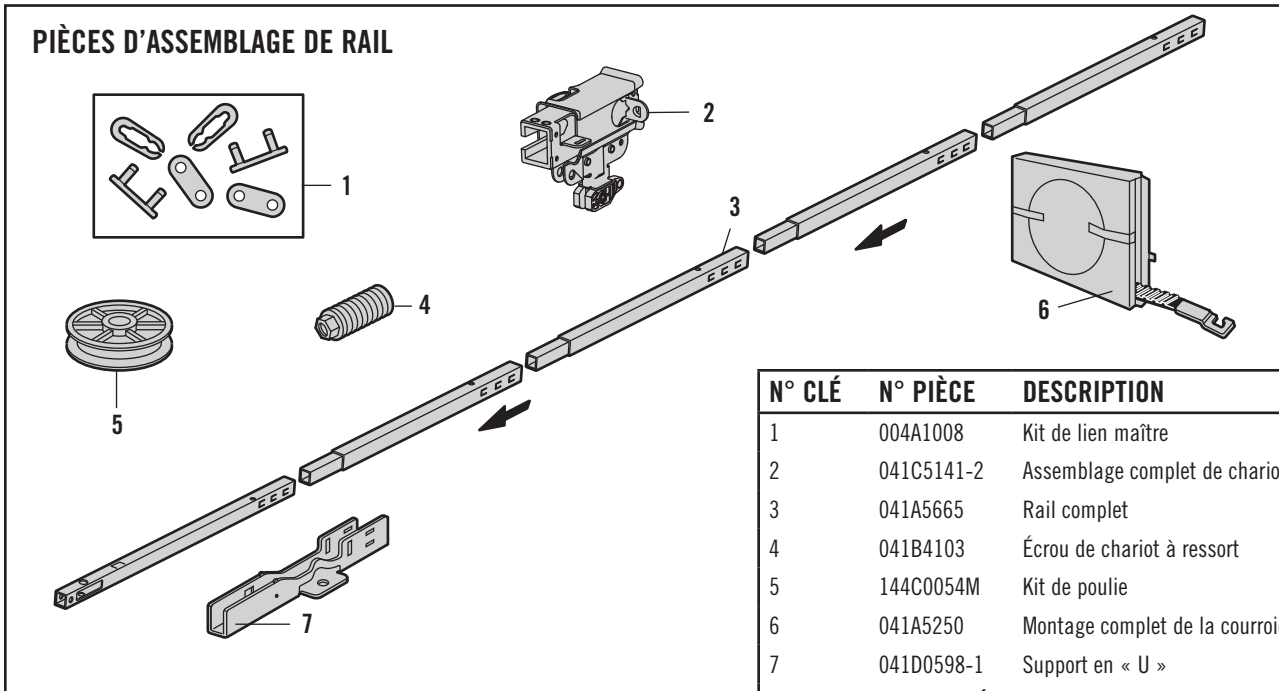
- Si la télécommande n'active toujours pas la porte, vérifiez les codes de diagnostics pour vous assurer que l'ouvre-porte de garage fonctionne correctement.

**Impossible de connecter l'ouvre-porte de garage au réseau Wi-Fi domestique :**

- Vérifiez que le numéro de série CRAFTSMAN a été saisi correctement et réessayez. Le numéro de série CRAFTSMAN utilise uniquement les caractères A-F et 0-9.
- Si votre bouton de réglage noir n'est pas d'un vert continu, visitez le [support.chamberlaingroup.com](http://support.chamberlaingroup.com).

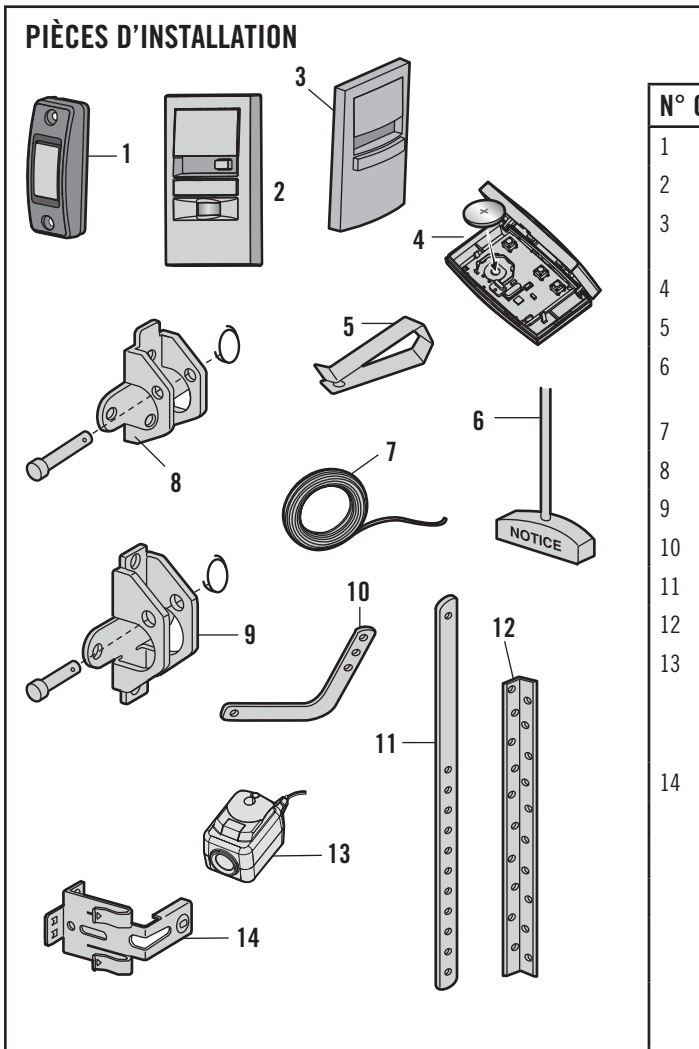
# PIÈCES DÉTACHÉES

## PIÈCES D'ASSEMBLAGE DE RAIL



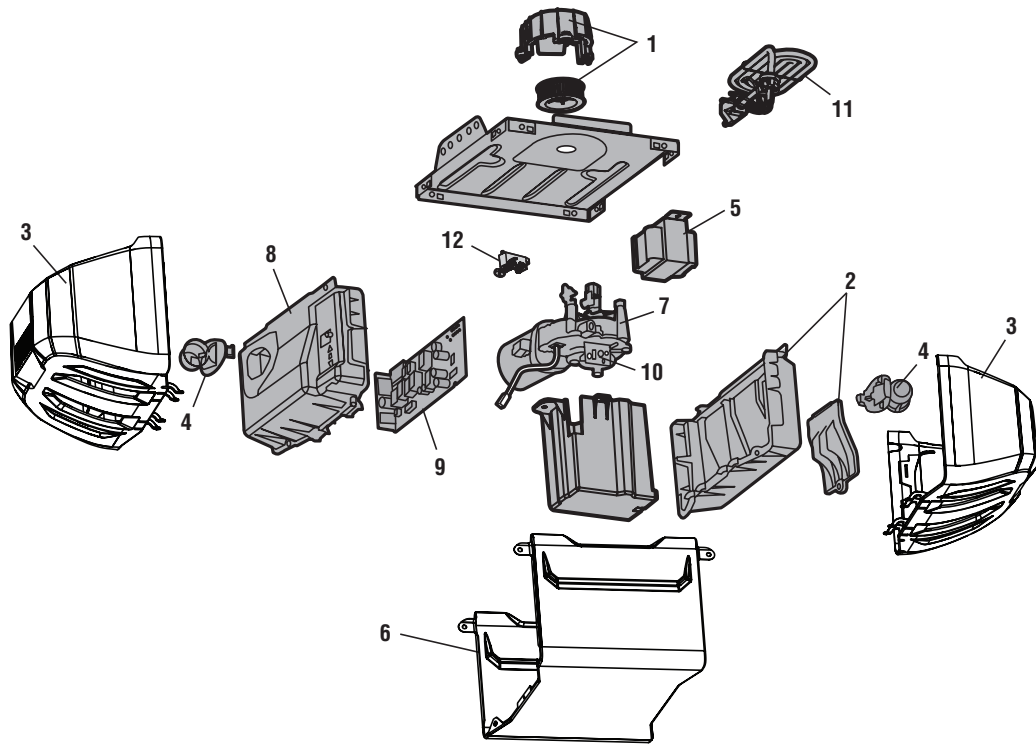
N° CLÉ	N° PIÈCE	DESCRIPTION
1	004A1008	Kit de lien maître
2	041C5141-2	Assemblage complet de chariot
3	041A5665	Rail complet
4	041B4103	Écrou de chariot à ressort
5	144C0054M	Kit de poulie
6	041A5250	Montage complet de la courroie
7	041D0598-1	Support en « U »
<b>PAS MONTRÉ</b>		
	041A7276	Patins d'usure

## PIÈCES D'INSTALLATION



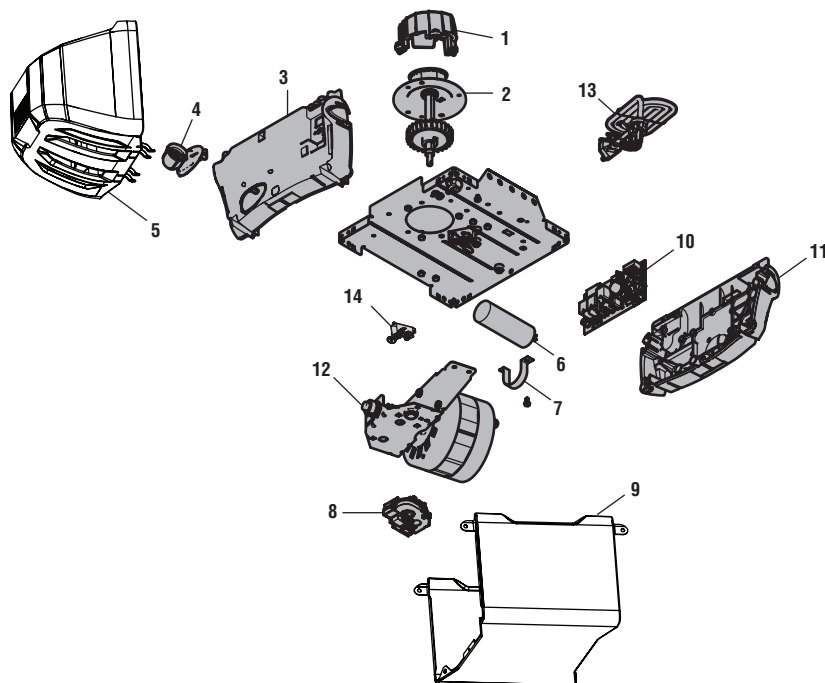
N° CLÉ	N° PIÈCE	DESCRIPTION
1	041A7367-7	Commande de porte (Modèle CMXEOCG322)
2	041-0126	Panneau de commande de détection de mouvement
3	041A9501	Panneau de commande à double fonction (Modèle CMXEOCG572)
4	K010A0020	Batterie au lithium 3 V
5	K029B0137	Clip pour pare-soleil
6	041A2828	Assemblage de corde et poignée de déclenchement d'urgence
7	041B4494-1	Fil de sonnette à 2 conducteurs : blanc et blanc/rouge
8	041A5047-2	Support de linteau avec axe à épaulement et fixation
9	041A5047-1	Support de porte, axe à épaulement et attache
10	041B0035B	Bras de porte incurvé
11	4178B0034B	Section de bras de porte droit
12	K012B0776	Support de suspension
13	041-0136	Kit de capteurs d'inversion de sécurité (capteurs de réception et d'envoi) avec fil de sonnette à 2 conducteurs attaché Un autocollant est apposé à l'arrière du capteur de réception.
14	041-0155-000	Support de capteur d'inversion de sécurité
<b>PAS MONTRÉ</b>		
	K010A0016	Pile 9 V pour le clavier sans fil
	041A6357-1	Batterie de secours
	041A5281-1	Supports d'extension (en option) pour les capteurs d'inversion de sécurité
	041A7920-2	Sac de matériel d'installation (comprend le matériel énuméré à la page 9)
	114-5501	Manuel d'utilisateur

### PIÈCES D'ASSEMBLAGE DU BLOC MOTEUR



N° CLÉ	N° PIÈCE	DESCRIPTION	N° CLÉ	N° PIÈCE	DESCRIPTION
1	041C1751	Pignon et couvercle de pignon	9	050DCTB	Carte mère
2	041-0125	Panneau d'extrémité avec douille d'éclairage (Modèles CMXE0CG572 et CMXE0CG772)	10	041D8071-4	Module de déplacement
	041-0158	Panneau d'extrémité avec douille d'éclairage (Modèle CMXE0CG982)	11	041B4245-1	Câble de ligne
3	041-0107	Lentille de lampe	12	041A3150	Bornier
4	041C0279	Douille d'éclairage			
5	041D0277-1	Transformateur (Modèle CMXE0CG982)		<b>PAS MONTRÉ</b>	
	041D0277-2	Transformateur (Modèles CMXE0CG572 et CMXE0CG772)		041-0120	Ampoule DEL (Modèle CMXE0CG982)
6	041-0178	Cache-vis		041D8255	Faisceau de câbles
7	041D8006-1	Moteur avec module de déplacement			
8	041-0143	Panneau d'extrémité de la carte-mère du récepteur			

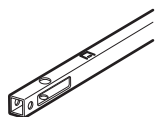
### PIÈCES D'ASSEMBLAGE DU BLOC MOTEUR



N° CLÉ	N° PIÈCE	DESCRIPTION	N° CLÉ	N° PIÈCE	DESCRIPTION
1	041A4371	Pignon et couvercle de pignon	9	041-0108	Cache-vis
2	041A4885-4	Assemblage engrenage/arbre/poulie d'entraînement	10	050ACTWF	Carte mère
3	041-0125	Panneau d'extrémité avec douille d'éclairage	11	041-0109	Panneau d'extrémité de la carte-mère du récepteur
4	041C0279	Douille d'éclairage	12	041D7440	Moteur avec module de déplacement
5	041-0107	Lentille de lampe	13	041B4245-1	Câble de ligne
6	K030B0532-1	Condensateur	14	041A3150	Bornier
7	K012A0373	Support du condensateur			
8	041D7742-7	Module de déplacement		<b>PAS MONTRÉ</b>	
				041A7946	Faisceau de câbles

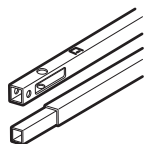
# ACCESSOIRES

## CMXZDCG498 Rallonge de rail de 2,4 m (8 pi) :



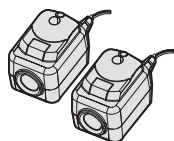
Pour permettre à une porte de 2,4 m (8 pieds) de s'ouvrir complètement.

## CMXZDCG4910 Rallonge de rail de 3 m (10 pi) :



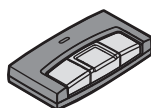
Pour permettre à une porte de 3 m (10 pi) de s'ouvrir complètement.

## CMXZDCG482 Capteurs de sécurité :



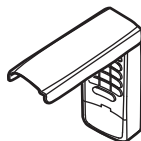
Kit de capteurs d'inversion de sécurité (capteurs de réception et d'envoi) avec fil de sonnette à 2 conducteurs attaché

## CMXZDCG453 Télécommande :



Fonctionne avec TOUS les ouvre-portes CRAFTSMAN de 1993 à aujourd'hui. Comprend une pince pour le pare-soleil.

## CMXZDCG440 Clavier sans fil :



Pour utilisation à l'extérieur de la maison pour permettre l'accès au garage en utilisant un code à 4 chiffres. Fonctionne avec TOUS les ouvre-portes CRAFTSMAN de 1993 à aujourd'hui.

# GARANTIE

The Chamberlain Group, Inc.® (le « Vendeur ») garantit au premier acheteur au détail de ce produit, pour la résidence dans laquelle ce produit est installé à l'origine, qu'il est exempt de défauts de matériaux et/ou de fabrication pendant une période spécifique définie ci-dessous (la « Période de garantie »). La période de garantie commence à partir de la date de l'achat.

PÉRIODE DE GARANTIE				
Modèle	Pièces	Moteur	Accessoires	Courroie
CMXE0CG322	1 an	6 ans	1 an	5 ans
CMXE0CG572	1 an	15 ans	1 an	10 ans
CMXE0CG772	5 ans	À vie	1 an	À vie
CMXE0CG982	5 ans	À vie	1 an	À vie

Le bon fonctionnement de ce produit dépend du respect des instructions en ce qui a trait l'installation, le fonctionnement, l'entretien et les tests. Le fait de ne pas se conformer strictement à ces instructions annulera la présente garantie limitée dans son intégralité.

Si, pendant la Période de garantie limitée, ce produit semble présenter un défaut couvert par cette garantie limitée, appelez le 1-888-331-4569, sans frais, avant de démonter ce produit. Lorsque vous appelez, vous serez avisé des instructions de désassemblage et d'expédition. Vous pourrez ensuite envoyer le produit ou ses pièces en port payé et assuré selon les instructions de notre centre de services pour la réparation sous garantie. Veuillez inclure une brève description du problème et la preuve d'achat comportant une date avec tout produit retourné pour réparation sous garantie. Les produits retournés au Vendeur pour réparation en vertu de la garantie et dont la défectuosité et la couverture de la garantie sont confirmés dès la réception par le Vendeur seront réparés ou remplacés (à l'entière discrétion du Vendeur) sans frais pour vous et retournés en envoi prépayé. Les pièces défectueuses seront réparées ou remplacées avec des pièces neuves ou remises à neuf à la seule discrétion du vendeur. [Vous êtes responsable de tous les frais encourus pour retirer et/ou réinstaller le produit ou tout composant].

TOUTE GARANTIE TACITE POUR CE PRODUIT, Y COMPRIS SANS S'Y LIMITER, TOUTE GARANTIE TACITE DE QUALITÉ COMMERCIALE ET D'ADAPTATION À UNE QUELCONQUE UTILISATION, EST LIMITÉE À LA DURÉE DE LA GARANTIE LIMITÉE CI-DESSUS POUR LES PIÈCES CONNEXES ET LES GARANTIES NON TACITES EXISTERONT OU SERONT APPLIQUÉES APRÈS CETTE PÉRIODE. Certains États et Provinces ne permettent pas de limiter la durée d'une garantie implicite, de sorte que la limitation ci-dessus peut ne pas s'appliquer à vous. LA PRÉSENTE GARANTIE LIMITÉE NE COUVRE PAS LES DOMMAGES NON-DÉFECTUEUX, LES DOMMAGES CAUSÉS PAR UNE INSTALLATION, UNE UTILISATION OU UN ENTRETIEN INAPPROPRIÉS (DONT, SANS TOUJOURS S'Y LIMITER, UN ABUS, UNE UTILISATION INCORRECTE, UN MANQUE D'ENTRETIEN RAISONNABLE ET NÉCESSAIRE, DES RÉPARATIONS NON AUTORISÉES OU TOUTE MODIFICATION DE CE PRODUIT), LES FRAIS DE MAIN-D'ŒUVRE POUR LA RÉINSTALLATION D'UNE UNITÉ RÉPARÉE OU REMPLACÉE, LE REMPLACEMENT D'ARTICLES CONSOMMABLES (PAR EXEMPLE, LES PILES DES TÉLÉCOMMANDES ET LES AMPOULES), OU LES UNITÉS INSTALLÉES POUR UN USAGE NON RÉSIDENTIEL. LA PRÉSENTE GARANTIE LIMITÉE NE COUVRE PAS LES PROBLÈMES LIÉS À LA PORTE DE GARAGE OU À LA QUINCAILLERIE DE LA PORTE DE GARAGE, Y COMPRIS, MAIS SANS S'Y LIMITER, LES RESSORTS DE LA PORTE, LES ROULEAUX DE LA PORTE, L'ALIGNEMENT DE LA PORTE OU LES CHARNIÈRES. LA PRÉSENTE GARANTIE LIMITÉE NE COUVRE PAS NON PLUS LES PROBLÈMES CAUSÉS PAR DES INTERFÉRENCES. EN AUCUN CAS, LE VENDEUR NE POURRA ÊTRE TENU RESPONSABLE DES DOMMAGES CONSÉCUTIFS, ACCIDENTELS OU SPÉCIAUX LIÉS À L'UTILISATION OU À L'IMPOSSIBILITÉ D'UTILISER CE PRODUIT. EN AUCUN CAS, LA RESPONSABILITÉ DU VENDEUR EN CAS DE RUPTURE DE GARANTIE, DE RUPTURE DE CONTRAT, DE NÉGLIGENCE OU DE RESPONSABILITÉ STRICTE NE POURRA DÉPASSER LE COÛT DU PRODUIT COUVERT PAR LES PRÉSENTES. PERSONNE N'EST AUTORISÉ À ASSUMER EN NOTRE NOM QUELQUE AUTRE RESPONSABILITÉ RELATIVE AVEC LA VENTE DE CE PRODUIT.

Certains États et Provinces n'autorisant pas l'exclusion ou la limitation des dommages consécutifs, accessoires ou spéciaux, il est possible que la limitation ou l'exclusion susmentionnée ne s'applique pas à vous. Cette garantie vous donne des droits légaux spécifiques et vous pouvez également avoir d'autres droits, qui varient d'une province à l'autre.

# SÉCURITÉ DE L'OUVRE-PORTE AUTOMATIQUE DE GARAGE ET GUIDE D'ENTRETIEN

## SÉCURITÉ DE L'OUVRE-PORTE DE GARAGE - UNE DÉCISION AUTOMATIQUE

La porte de garage est le plus grand objet mobile d'une maison. Le réglage inapproprié de la porte de garage et de l'ouvre-porte peut entraîner une force mortelle lorsque la porte ferme, ce qui pourrait faire en sorte qu'un enfant ou un adulte soit coincé et se solder par des blessures ou la mort.

L'installation, l'utilisation, l'entretien et les tests appropriés de la porte de garage et de l'ouvre-porte appropriés sont nécessaires pour avoir un système sécuritaire et sans problème. Une utilisation imprudente ou permettre à des enfants de jouer avec les commandes de l'ouvre-porte ou de l'utiliser sont également des situations dangereuses qui peuvent mener à des conséquences tragiques. Quelques précautions simples peuvent protéger votre famille et vos amis de blessures possibles. Veuillez examiner les conseils de sécurité et d'entretien qui se trouvent dans le présent guide et le garder pour consultation future. Vérifiez le fonctionnement de votre porte de garage et de votre ouvre-porte pour vous assurer qu'ils fonctionnent de façon sécuritaire et sans problème. Assurez-vous de lire toutes les données importantes sur la sécurité qui se trouvent dans votre manuel d'ouvre-porte, car elles contiennent davantage de détails et d'éléments à prendre en considération que ce qui peut être fournis dans le présent guide.

## L'OUVRE-PORTE DE GARAGE N'EST PAS UN JOUET.

Parlez avec vos enfants de la sécurité relative à la porte de garage et à l'ouvre-porte. Expliquez les dangers de se retrouver coincé sous la porte.



**Tenez-vous loin d'une porte en mouvement.**



**Gardez TOUJOURS les émetteurs et les télécommandes hors de la portée des enfants.** Ne laissez pas les enfants jouer avec les émetteurs ou d'autres télécommandes ou les utiliser.



**Le bouton poussoir mural doit être hors de portée des enfants,** à au moins 1,5 m (5 pieds) de la surface la plus proche et éloigné de toute pièce mobile. Installez et utilisez le bouton à un endroit où vous pouvez clairement voir la porte de garage se fermer.



**Gardez la porte en vue jusqu'à ce qu'elle se ferme complètement** lorsque vous utilisez le bouton-poussoir ou l'émetteur mural.



# L'ENTRETIEN DE ROUTINE PEUT ÉVITER DES TRAGÉDIES

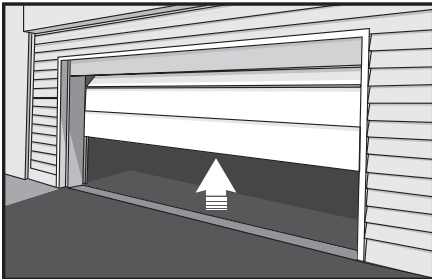
Faites des inspections et des tests de votre porte de garage et votre système d'ouvre-porte tous les mois en tant que partie de votre routine. Relisez le guide de l'utilisateur de la porte ainsi que de l'ouvre-porte. Si vous n'avez pas de guide de l'utilisateur, communiquez avec le fabricant et demandez l'exemplaire pour votre modèle précis. Recherchez le numéro de modèle de votre ouvre-porte au dos du bloc d'alimentation.

**⚠ AVERTISSEMENT - LES RESSORTS SONT SOUS TENSION ÉLEVÉE. SEULES LES PERSONNES QUALIFIÉES DEVRAIENT EN FAIRE LE RÉGLAGE.**



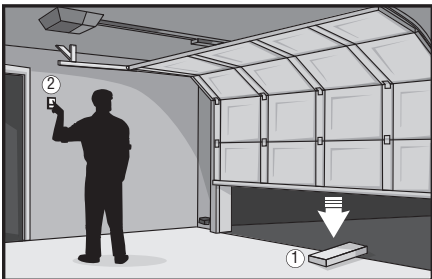
## Vérifiez visuellement la porte et l'installation :

- En commençant avec la porte en position fermée, utilisez la déconnexion manuelle sur l'ouvre-porte pour déconnecter la porte.
- Vérifiez s'il y a des signes d'usure ou de dommage sur les charnières, les galets, les ressorts et les panneaux de la porte.
- Ces pièces peuvent nécessiter une lubrification périodique. Consultez le guide du propriétaire pour connaître l'entretien suggéré.
- S'il y a des signes de dommages évidents, communiquez avec un technicien qualifié en systèmes de portes pour obtenir de l'aide.
- Vérifiez que la hauteur de l'œil photo n'est pas supérieure à 6 po du sol du garage.



## Effectuez un test de la porte pour vérifier qu'elle fonctionne correctement :

- Ouvrez et fermez manuellement la porte à l'aide des poignées ou de points de prise appropriés.
- La porte devrait bouger librement sans difficulté.
- **La porte doit s'équilibrer et rester partiellement ouverte à 3-4 pieds au-dessus du sol.**
- Si vous détectez des signes de fonctionnement inadéquats, communiquez avec un technicien qualifié en systèmes de porte pour obtenir de l'aide.



## Effectuez un test des fonctions de sécurité de l'ouvre-porte :

- Reconnectez l'ouvre-porte à la porte en utilisant la déconnexion manuelle et ouvrez la porte.
- Placez un bloc de 2x4 po à plat dans le chemin de la porte (1) et essayez de la fermer (2). La porte devrait s'arrêter lorsqu'elle entre en contact avec le bloc de 2x4 et remonter.
- Obstruez le capteur photoélectrique en agitant un objet devant le capteur essayez de fermer la porte. La porte ne doit pas se fermer si le bouton-poussoir mural n'est pas maintenu manuellement pendant le fonctionnement.
- Si l'ouvre-porte ne fonctionnent pas comme que décrit, communiquez avec un technicien qualifié en systèmes de portes pour obtenir de l'aide.







**CRAFTSMAN®**

**Des questions ou problèmes liés aux produits?**

**1-888-331-4569**

**Ligne d'assistance téléphonique  
pour les clients**

**Obtenez des réponses à vos questions, résolvez  
vos problèmes ou commandez des pièces.**

Pour nous aider à vous aider, enregistrez votre produit sur [www.craftsman.com/registration](http://www.craftsman.com/registration)