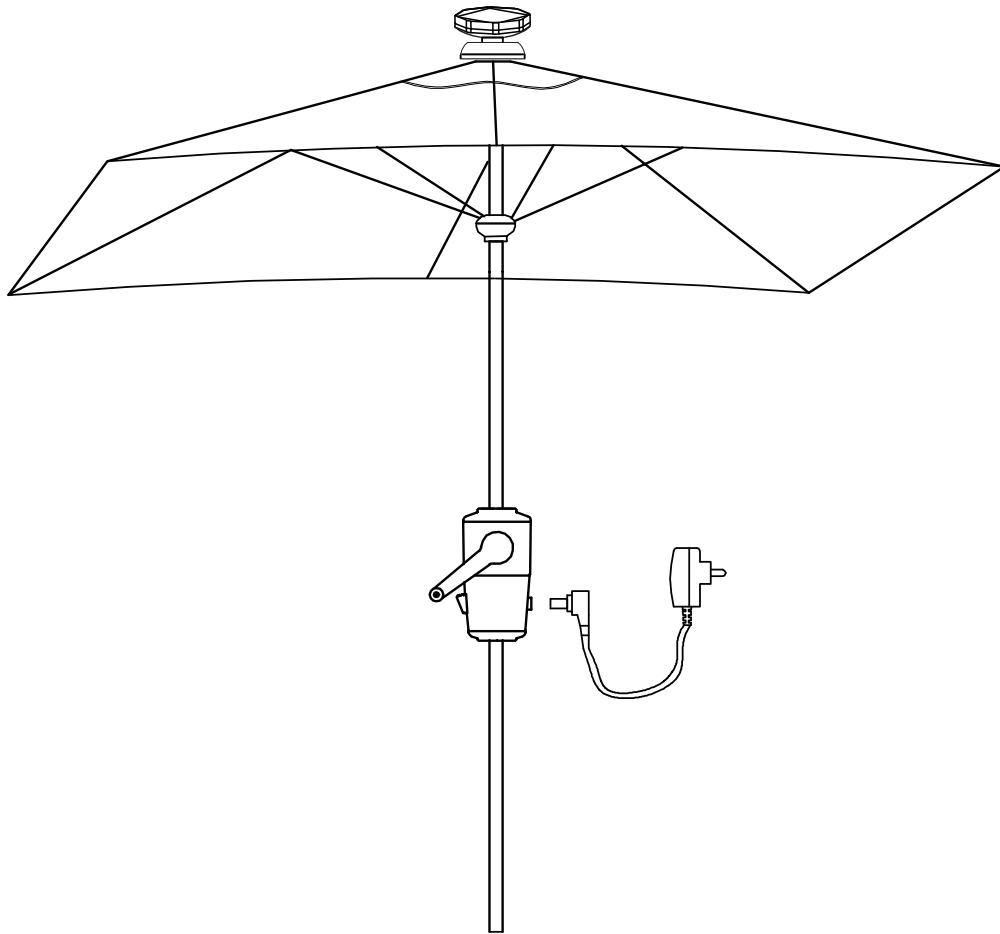


SimplyShade™

ITEM #0804781

7 FT X 10.5 FT UMBRELLA WITH LED LIGHTS

MODEL #UB3821326RRLD-LS



ATTACH YOUR RECEIPT HERE

Serial Number _____ **Purchase Date** _____

Questions, problems, missing parts? Before returning to your retailer, call our customer service department at 1-844-230-9904, 8 a.m. – 8 p.m., EST, Monday - Friday.

SAFETY INFORMATION

Please read and understand this entire manual before attempting to assemble, operate or install the product.

- Assemble on a soft, clean, non-abrasive surface to avoid scratching the metal finish or hurting the umbrella fabric.
- Always keep the umbrella in the closed position when not in use. Do not open the umbrella in high winds or windy conditions.
- Use a heavy or weighted umbrella base to stabilize the umbrella.
- This outdoor umbrella is designed and made for personal non-commercial use. It should not be used as a toy or a tool. Children under age of 16 should not be engaged in the assembly, removal or disassembly. Children under age of 10 should be supervised by a competent adult while using this umbrella.

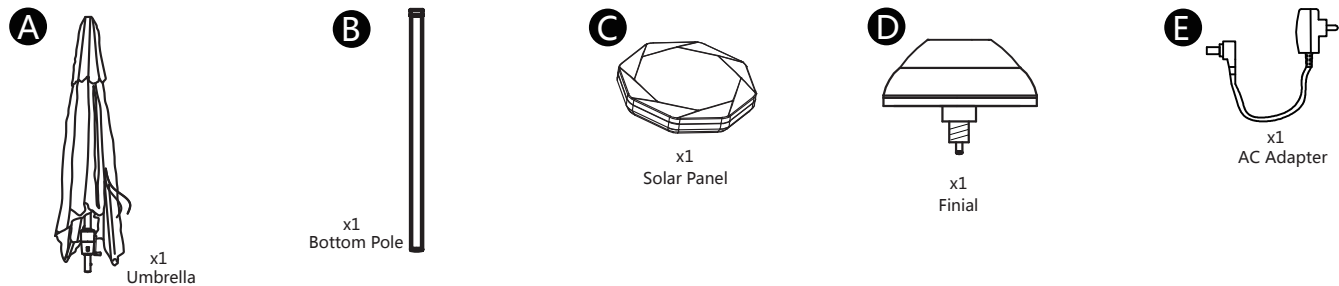
PREPARATION

Before beginning to assemble the product, remove all parts from carton and make sure everything is present. Compare parts with package contents list. If any part is missing or damaged, do not attempt to assemble, install or operate the product.

Estimated Assembly Time: 10 minutes

NO TOOLS REQUIRED

PACKAGE CONTENTS



NOTE:

The **Finial (D)** contains two lithium batteries (2 x 2200mAh). Do not attempt to open the **Finial (D)** when in use. Do not use the **Umbrella (A)** without the **Finial (D)** properly installed.

AC Adapter
Input: 100V~240V AC, Output: 4.2V DC

CARE AND MAINTENANCE

- Wash with mild soap and water; rinse with clean water and let air dry.
- Always let the umbrella dry completely before storing.
- Store the umbrella out of extreme weather or high winds.

NOTE: This equipment has been tested and found to comply with the limits for a Class B digital device, pursuant to Part 15 of the FCC Rules. These limits are designed to provide reasonable protection against harmful interference in a residential installation. This equipment generates, uses and can radiate radio frequency energy and, if not installed and used in accordance with the instructions, may cause harmful interference to radio communications. However, there is no guarantee that interference will not occur in a particular installation. If this equipment does cause harmful interference to radio or television reception, which can be determined by turning the equipment off and on, the user is encouraged to try to correct the interference by one or more of the following measures:

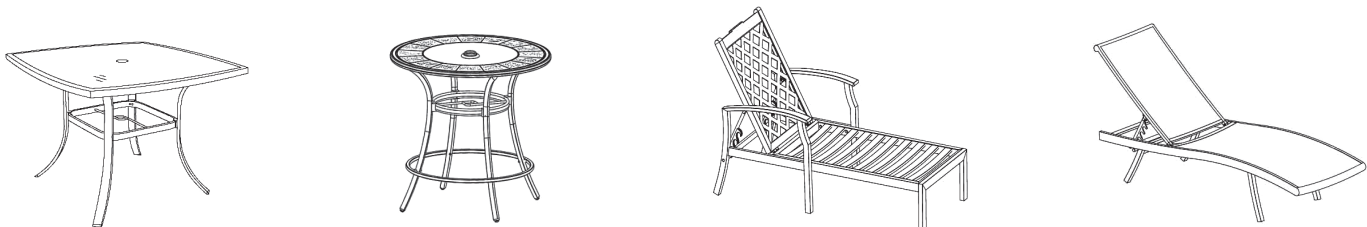
- Reposition or relocate the receiving antenna.
- Increase the separation between the equipment and receiver.
- Connect the equipment into an outlet on a circuit different from that to which the receiver is connected.
- Consult the dealer or an experienced radio/TV technician for help.

CAUTION

To prevent personal injury or damage, always take down the umbrella when not in use, during windy conditions or in rain. Do not operate or attempt to charge the umbrella when water is present so as to prevent damage to the electrical components.

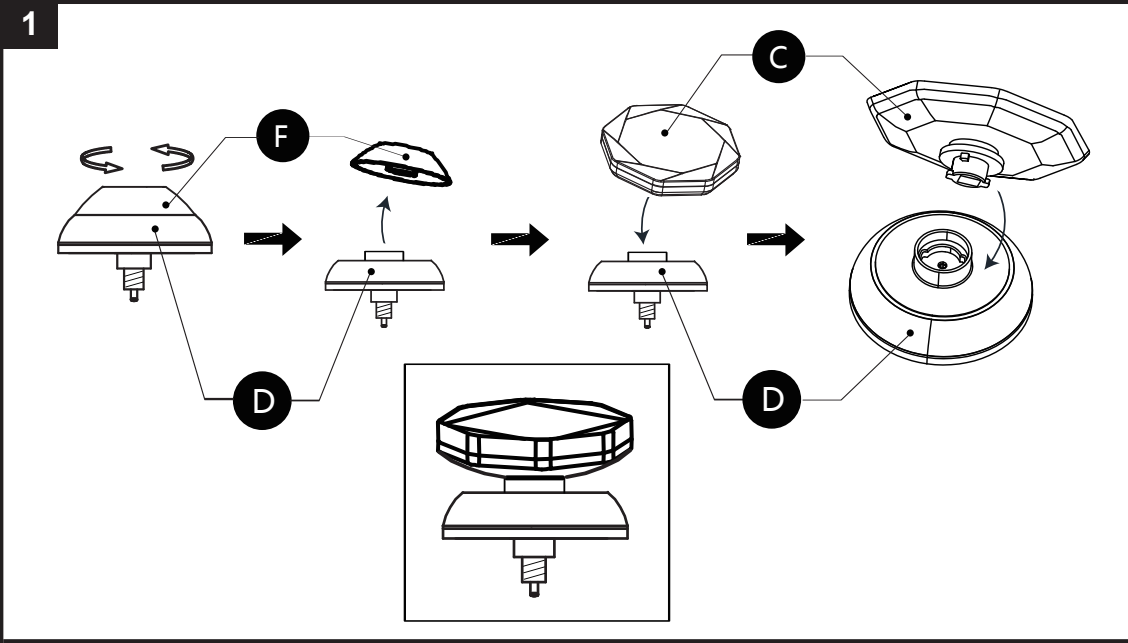
FEELING CONFIDENT? START YOUR NEXT PROJECT

Visit www.lowes.com for more information.



INSTALLATION OVERVIEW

1

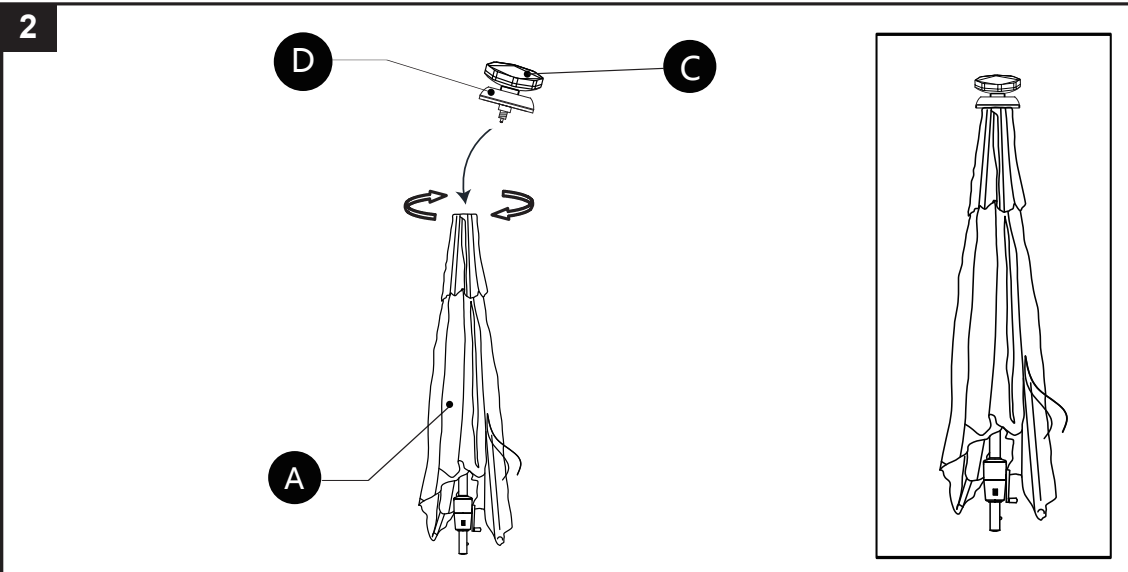


Carefully remove the umbrella and all contents from the box. Locate the **Finial (D)** and the **Solar Panel (C)**. Separate the **Plastic Cap (F)** from the **Finial (D)** by twisting the **Cap (F)** counter-clockwise ↶ approximately 1/4 turn and pulling apart.

With the **Cap (F)** removed from the top of the **Finial (D)**, line the tabs on the bottom of the **Solar Panel (C)** up with the slots inside the top of the **Finial (D)**. Insert the bottom of the **Solar Panel (C)** into the top of the **Finial (D)** and twist clockwise ↷ approximately 1/4 turn until it is secure.

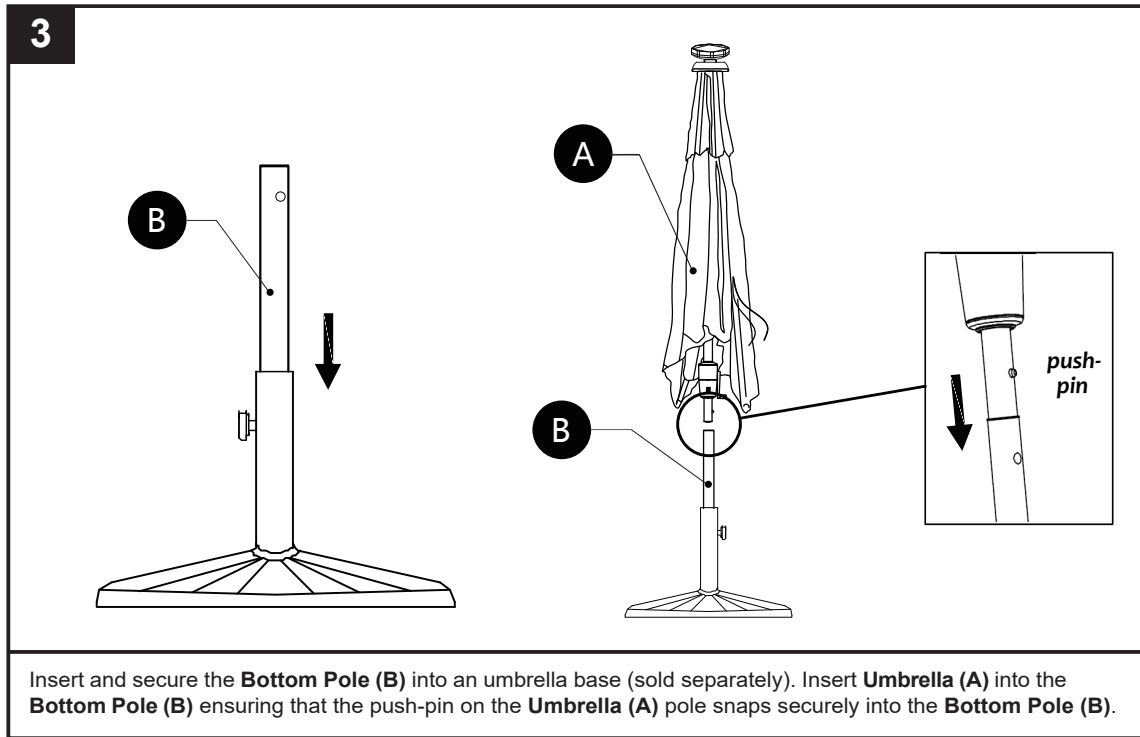
NOTE: To increase the lifespan of the **Solar Panel (C)** it is recommended it be removed and stored away when not in use for extended periods of time. Always install the **Plastic Cap (F)** onto the **Finial (D)** for protection when the solar panel is removed.

2

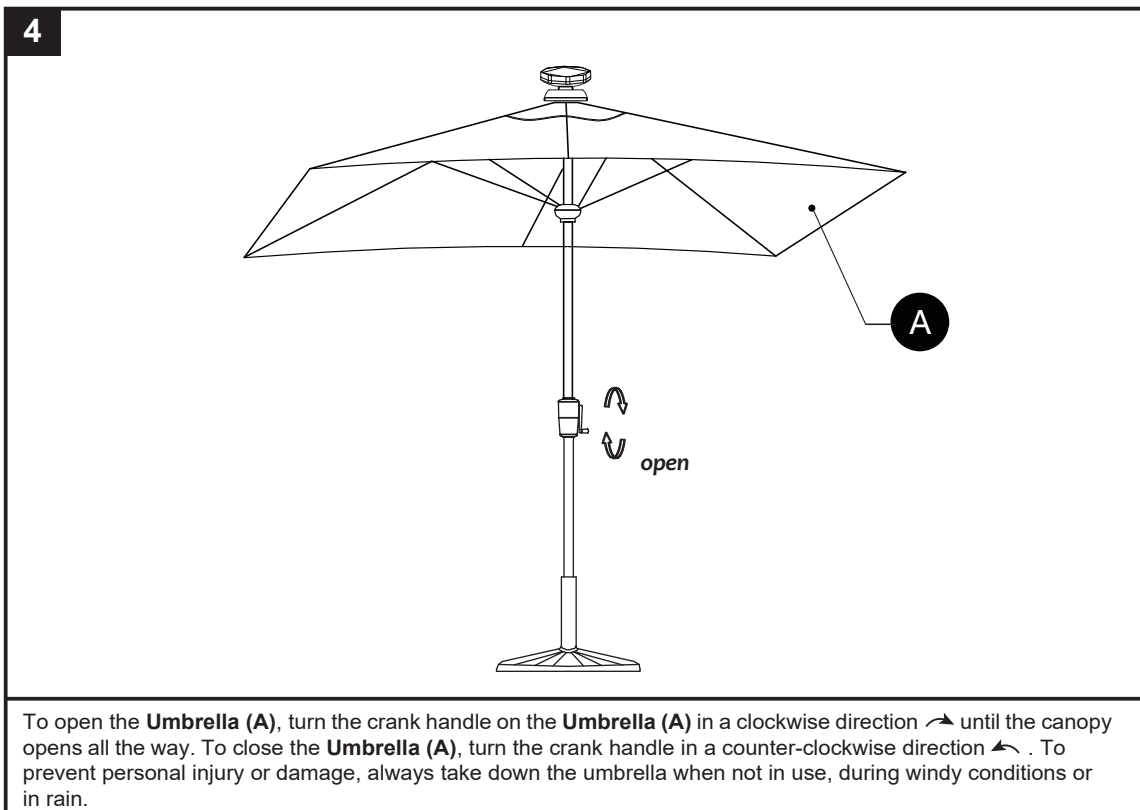


With the **Solar Panel (C)** installed securely onto the top of the **Finial (D)**, insert the threads on the bottom of the **Finial (D)** into the top of the **Umbrella (A)**. Turn the **Finial (D)** clockwise ↷ to tighten the threads until the **Finial (D)** is secure on the **Umbrella (A)**. Check to ensure that the **Solar Panel (C)** did not come loose in this process and is still securely on top of the **Finial (D)**.

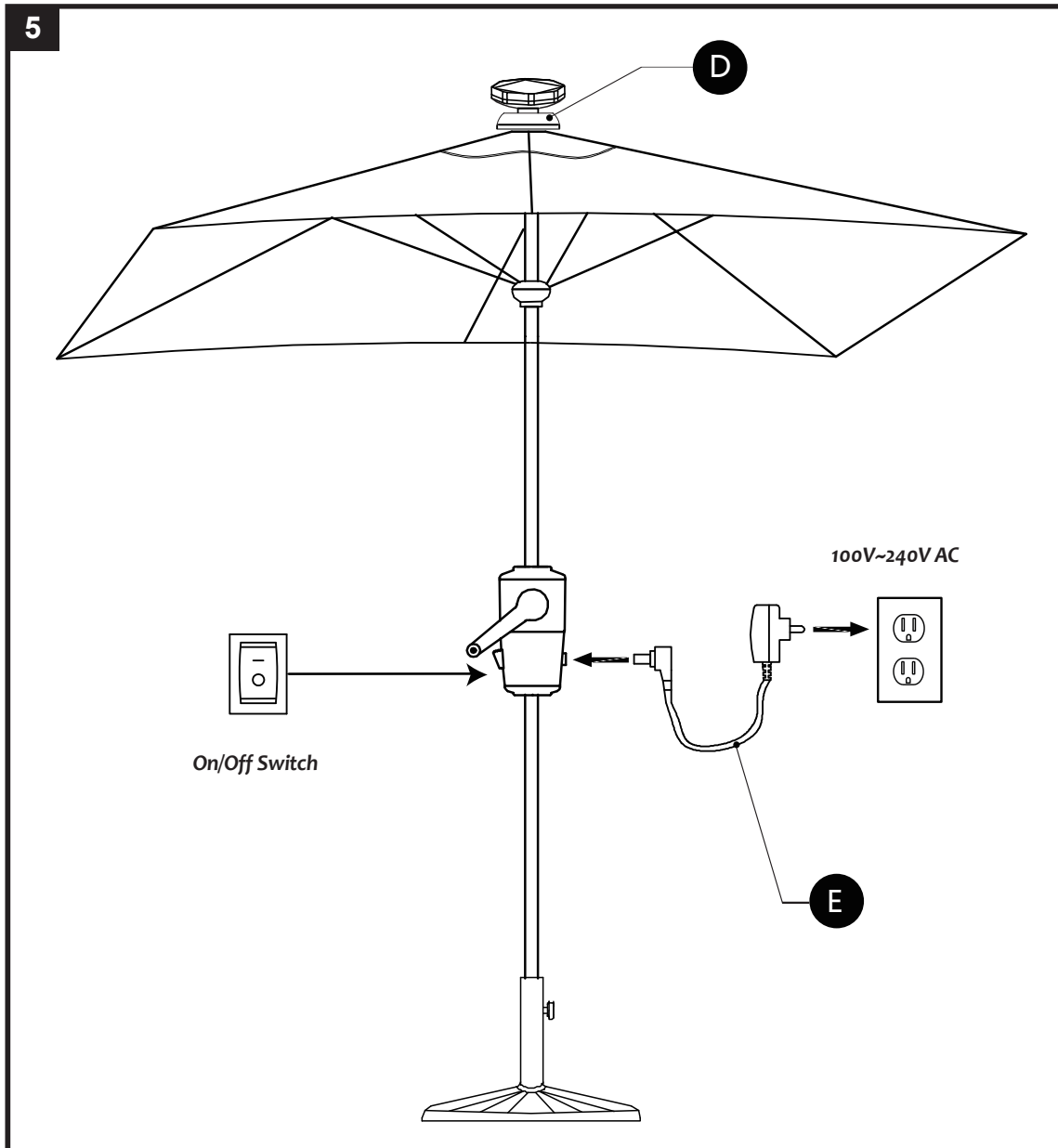
INSTALLATION OVERVIEW



OPERATION OVERVIEW



OPERATION OVERVIEW



To operate the LED lights, press the rocker switch located on the crank housing on or off.

NOTE:

- a) The **Finial (D)** contains two lithium batteries (2 x 2200mAh). Press the switch to the off position during daylight to allow the solar panel to charge the batteries. Charging time is dependent on the amount of sunlight, however, 8 hours is recommended.
- b) The batteries can also be charged using the **100V~240V AC Adapter (E)** by plugging it into the crank housing as shown in the illustration. Charging time is approximately 5 - 6 hours.
- c) If the batteries are dead, the lights will operate with the **AC Adapter (E)** plugged in. The red light on the **AC Adapter (E)** indicates power is present.
- d) Keep the umbrella unplugged and the **AC Adapter (E)** stored in a dry location when not in use.

TROUBLESHOOTING

PROBLEM	POSSIBLE CAUSE
The umbrella lights only work when plugged in	1. The solar panel, finial may not be properly installed. Remove the solar panel, finial and repeat Step 1 and 2, ensuring that the fixed barrel connectors line up correctly.
	2. The batteries may be dead. Press the switch to the OFF position. With the solar panel, finial properly installed, allow approximately 8 hours of sunlight on the solar panel or 6 hours with the AC adapter plugged in to charge the batteries.
	3. If the lights do not work after troubleshooting steps 1 and 2, please contact customer service to further diagnose the problem.

WARRANTY

The umbrella frames are warranted to be free from defects in material or workmanship for a period of one (1) year.

Exceptions: Items used for commercial, contract or other non-residential purposes, display models, items purchased as-is, or items damaged due to acts of nature, vandalism, misuse or improper assembly are not covered. Discoloration or fading of the finish or fabrics as a result of exposure to the elements, chemicals or spills are not covered. Tabletop glass breakage, corrosion or rusting of hardware and damages to frames or welds caused by improper assembly, misuse or natural causes are not covered.

Warranty to the original purchaser is non-transferable. All warranty claims require a dated sales receipt. Any replacement of warranted items will be in the original style and color, or a similar style and color if the original is unavailable or has been discontinued. We do not reimburse for transportation or delivery costs, or compensate the individual or any outside party for assembling or disassembling the product.

REPLACEMENT PARTS LIST

For replacement parts, call our customer service department at 1-844-230-9904, 8 a.m. - 8 p.m., EST, Monday - Friday.

PART	DESCRIPTION	PART#
B	Bottom Pole	0804782-A-04-142
D	Finial (contains two lithium batteries)	0804782-E-01-114-B
E	AC Adapter	0804782-G-09-027
F	Plastic Cap	0804782-E-01-114-A

