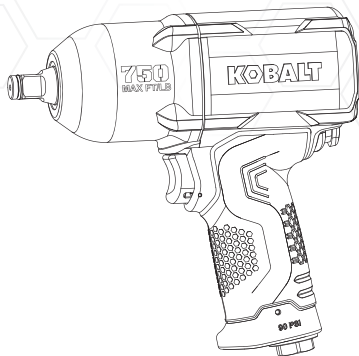


KOBALT®



ITEM #0858980
**1/2-IN 750-FT-LB
IMPACT WRENCH**
MODEL #SGY-AIR228

Français p. 16

Español p. 31

Kobalt® is a registered trademark of LF, LLC.
All rights reserved.

ATTACH YOUR RECEIPT HERE

Serial Number _____ Purchase Date _____



Questions, problems, missing parts? Before returning to your retailer, please call our Customer Service Department at 1-888-3KOBALT, 8 a.m. – 8 p.m., EST, Monday – Friday.

AB171058

TABLE OF CONTENTS

Compressor Requirements.....	2
Product Specifications.....	3
Safety Information.....	3
Package Contents.....	9
Preparation.....	10
Assembly Instructions.....	10
Operating Instructions.....	12
Care and Maintenance.....	13
Troubleshooting.....	14
Warranty.....	15

COMPRESSOR REQUIREMENTS



IMPORTANT: To operate correctly, this tool requires airflow of at least 5 Standard Cubic Feet per Minute (SCFM) at 90 Pounds per Square Inch (PSI) at the tool. The air hose length could affect how much air pressure the tool is actually receiving. You may need to adjust the air pressure higher on the air regulator to achieve the working pressure of 90 PSI.

PRODUCT SPECIFICATIONS

COMPONENT	SPECIFICATIONS
DRIVE	1/2 IN.
FREE SPEED	7,000 RPM
MAXIMUM TORQUE	750 FT.-LBS.
AVERAGE AIR CONSUMPTION	5 SCFM
AIR INLET	1/4 IN. NPT
AIR HOSE	3/8 IN.
WORKING PRESSURE	90 PSI

SAFETY INFORMATION

Please read and understand this entire manual before attempting to assemble, operate or maintain this product. If you have any questions, please call our Customer Service Department at 1-888-3KOBALT, 8 a.m. – 8 p.m., EST, Monday – Friday.

WARNING

Improper operation or maintenance of this tool could result in serious injury and property damage. Read and understand all warnings and operation instructions before using this tool. When using any tool, basic safety precautions should always be followed to reduce the risk of personal injury. Use each tool for its intended function only. Do not use this product in unsafe work conditions. It is always recommended to keep a fire extinguisher and first aid kit near work areas.

FAILURE TO OBSERVE AND FOLLOW SAFETY INSTRUCTIONS COULD RESULT IN INJURY OR DEATH.

WARNING

To reduce your exposure to chemicals, work in a well-ventilated area and work with approved safety equipment, such as a respirator or dust masks which are specially designed to filter microscopic particles.

SAFETY INFORMATION

WARNING RISK OF EYE OR HEAD INJURY

WHAT COULD HAPPEN	HOW TO PREVENT IT
<ul style="list-style-type: none">• This air powered tool is capable of propelling materials such as fasteners, metal chips, and other debris at high speed which could result in serious injury.	<ul style="list-style-type: none">• Always wear ANSI approved Z87.1 safety glasses.• Never leave operating tool unattended.• Disconnect tool from air supply when tool is not in use or when changing accessories to prevent accidental operation.
<ul style="list-style-type: none">• Compressed air can be hazardous, propelling objects or particles that can cause injury into soft tissues such as eyes and ears.	<ul style="list-style-type: none">• For additional protection, use an approved face shield in addition to safety glasses.
<ul style="list-style-type: none">• Tool attachments can become loose or break and fly apart, becoming projectiles or propelling other objects at the operator or bystanders in the work area.	<ul style="list-style-type: none">• Make sure all attachments are properly assembled and securely fastened before use.• Always use the tool at a safe distance from others in the work area.• Maintain awareness of work area safety at all times.

WARNING RISK OF LOSS OF HEARING

WHAT COULD HAPPEN	HOW TO PREVENT IT
<ul style="list-style-type: none">• Exposure to noise produced by air tools can lead to permanent hearing loss.	<ul style="list-style-type: none">• Always wear ANSI S3.19 hearing protection.

WARNING RISK OF FIRE OR EXPLOSION

WHAT COULD HAPPEN	HOW TO PREVENT IT
<ul style="list-style-type: none">• This tool is capable of generating sparks, which can result in ignition of flammable materials.	<ul style="list-style-type: none">• Never operate tools near flammable substances such as gasoline, naphtha, cleaning solvents, etc.• Work in a clean, well-ventilated area free of combustible materials.• Never use oxygen, carbon dioxide or other bottled gases as a power source for air tools.

⚠ SAFETY INFORMATION

⚠ WARNING RISK OF ENTANGLEMENT

WHAT COULD HAPPEN	HOW TO PREVENT IT
<ul style="list-style-type: none">• Loose hair, clothing, jewelry or other loose objects can become entangled in the moving elements of this tool and can cause serious injury.	<ul style="list-style-type: none">• Do not wear loose clothing, jewelry, or anything that may get caught or tangled when using tool.• Remove any jewelry which may be caught by the tool.• Always keep hands and body parts away from moving parts.• Always wear properly fitted clothing and other properly fitted safety equipment when using this tool.

⚠ WARNING RISK OF CUTS OR BURNS

WHAT COULD HAPPEN	HOW TO PREVENT IT
<ul style="list-style-type: none">• This tool is capable of causing serious injury if operated improperly, or in a manner for which the tool is not intended.• Accessories can become extremely hot through friction where they contact the workpiece.	<ul style="list-style-type: none">• Keep the working part of the tool away from hands and body.

⚠ SAFETY INFORMATION

⚠ WARNING RISK OF ELECTRIC SHOCK

WHAT COULD HAPPEN	HOW TO PREVENT IT
<ul style="list-style-type: none">• This tool is not provided with an insulated gripping surface. Contact with a “live” wire will also make exposed metal parts of the tool “live” and can result in electrical shock, electrocution or death.	<ul style="list-style-type: none">• Never use air tools where they may come in contact with energized electrical wiring.
<ul style="list-style-type: none">• Air tool accessories such as impact sockets that come into contact with hidden electrical wiring could cause electrocution or death.	<ul style="list-style-type: none">• Thoroughly investigate workpieces and work areas for possible hidden wiring before performing work.

⚠ WARNING RISK OF PERSONAL INJURY

WHAT COULD HAPPEN	HOW TO PREVENT IT
<ul style="list-style-type: none">• A tool left unattended or with the air hose attached can be activated by unauthorized persons leading to their injury or injury to others.	<ul style="list-style-type: none">• Remove air hose when the tool is not in use and store tool in a secure location away from reach of children and untrained users.
<ul style="list-style-type: none">• Air tools can propel fasteners or other materials throughout the work area.	<ul style="list-style-type: none">• Use only parts, fasteners and accessories recommended by the manufacturer.• Keep work area clean and free of clutter.• Do not allow children to operate tool, and keep children away from the work area.• Keep work area well lit.
<ul style="list-style-type: none">• Air tools can become activated by accident during maintenance or tool changes.	<ul style="list-style-type: none">• Disconnect the tool from the air supply during accessory changes, tool changes, maintenance or repair.• Never carry the tool by the air hose.• To avoid unintentional operation, never carry the tool with the trigger depressed or engaged.• Only an authorized service representative should service the tool.

SAFETY INFORMATION

WARNING RISK OF PERSONAL INJURY

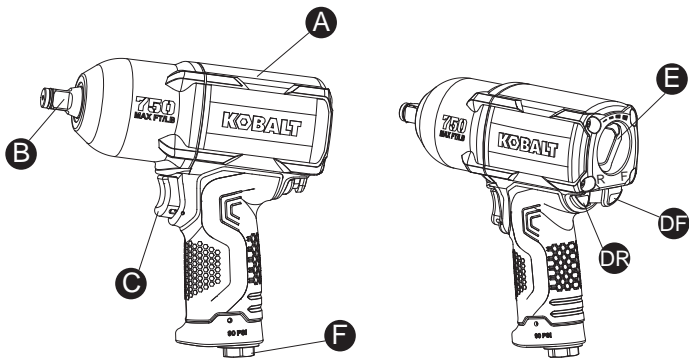
WHAT COULD HAPPEN	HOW TO PREVENT IT
<ul style="list-style-type: none">• Air tools can cause the workpiece to move upon contact, leading to injury.	<ul style="list-style-type: none">• Always make sure the workpiece is secure. Use clamps or other devices to prevent movement.
<ul style="list-style-type: none">• Loss of control of the tool can lead to operator injury or injury to others in the work area.	<ul style="list-style-type: none">• Before changing accessories, making repairs, or when tool is not in use, shut off the air supply and release/drain air pressure from hose.• Disconnect tool from air supply and store in a safe location.• Never use the tool while using drugs or alcohol.• Keep proper footing at all times when handling tools. Slipping, tripping and/or falling are major causes of serious injury and or death.• Keep tool handles dry, clean and free from oil/grease.• Stay alert. Use common sense. Do not operate tools when you are tired.
<ul style="list-style-type: none">• There is a risk of bursting if the tool is damaged.	<ul style="list-style-type: none">• Follow lubrication instructions for best and safest operation.• Follow instructions on how to properly change accessories.
<ul style="list-style-type: none">• Poor quality, improper or damaged attachments can detach or fly apart during operation, sending projectiles through the work area and causing serious injury.	<ul style="list-style-type: none">• Always use tool attachments rated for the speed of the power tool.• Never use tools, which have been dropped, impacted, or are damaged.• Do not apply excessive force to the tool; let the tool perform the work.• Never use a tool that is leaking air, has missing or damaged parts, or requires repairs.• Always follow assembly, operation, maintenance instructions.

SAFETY INFORMATION

WARNING RISK OF PERSONAL INJURY

WHAT COULD HAPPEN	HOW TO PREVENT IT
• Improperly maintained tools and accessories can cause serious injury.	• Maintain the tool and accessories with care. • Keep tools clean and properly oiled for best and safest performance.
• Using an accessory not intended for a specific tool increases the risk of injury to the operator and everyone else in the work area.	• Always use accessories and attachments designed for the tool and the work at hand. • Do not improvise or modify tools or accessories.
• Repetitive motions, awkward positions and exposure to vibration can be harmful to hands and arms.	• Discontinue use of tool if discomfort, tingling feeling or pain occurs. • Consult a physician before resuming use if any of these symptoms occur.

PACKAGE CONTENTS



PART	DESCRIPTION	QUANTITY
A	1/2 in. Impact Wrench	1
B	Anvil	1
C	Trigger	1
DR	Reverse Button	1
DF	Forward Button	1
E	Torque Setting Switch	1
F	Air Inlet	1

PREPARATION

Before assembling this tool, make sure all parts are present. Compare parts with package contents list. If any part is missing or damaged, do not attempt to assemble the tool.

Estimated Assembly Time: 1 – 3 minutes

Tools and Materials Required for Assembly (not included):

- 3/4 in. (19 mm) wrench
- 9/16 in. (14 mm) or adjustable wrench
- Thread sealant tape
- Tool oil
- Male plug

ASSEMBLY INSTRUCTIONS

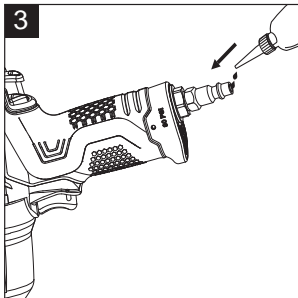
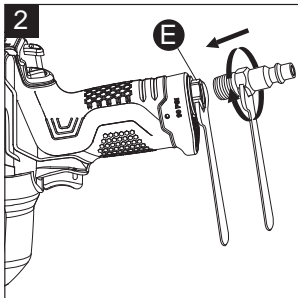
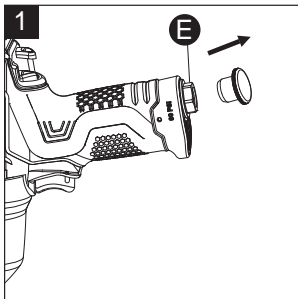
1. Remove plastic air inlet protective cap from air inlet (E) (See Figure 1).

NOTE: The air inlet (E) will spin freely, so two wrenches are required to inert the male plug.

2. Insert the male plug into the air inlet (E). Using a 3/4 in. (19 mm) wrench (not included) hold the air inlet nut (E), and tighten the male plug by turning it clockwise using a 9/16 in. (14 mm) wrench (not included) for an air tight connection. **DO NOT OVERTIGHTEN.**

NOTE: Use threaded sealant tape (not included) on the threading of the male plug.

3. Place 2 – 3 drops of air tool oil (not included) into the opening of the male air plug before each use (See Figure 3).



ASSEMBLY INSTRUCTIONS

4. Select the correct impact socket (not included) and mount it onto the anvil (B) until it clicks into place (See Figure 4).

⚠ WARNING

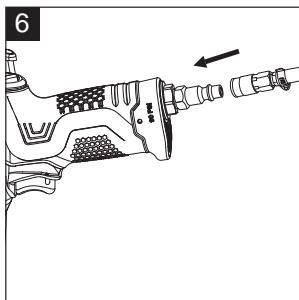
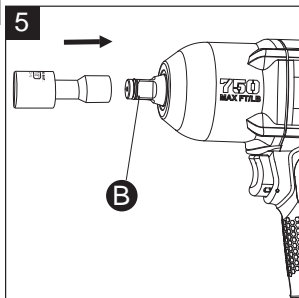
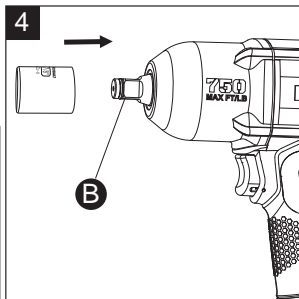
Use only adapters and sockets with a torque rating equal to or greater than the tool itself. Always make sure adapters and sockets are properly mounted and secure before using the tool. Loose attachments can break or fly off, causing serious injury to the operator or bystanders in the work area. Always follow all manufacturers' specifications for proper attachment and use.

5. For a longer reach, mount the socket onto the end of an extension bar (not provided) and then mount the extension bar onto the anvil (See Figure 5).

NOTE: Make sure the socket and extension bar are securely fastened before operating the tool.

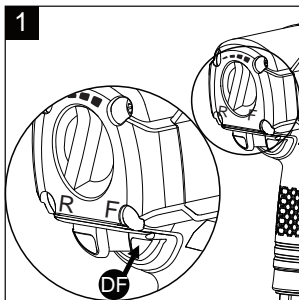
6. Connect the air supply hose to the male air plug (See Figure 6), making sure it is completely seated and secure. Set the working pressure at 90 PSI for best tool performance.

NOTE: Working pressure is the amount of air pressure the tool sees when operating.



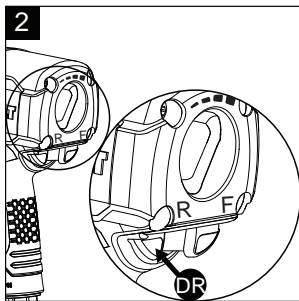
OPERATING INSTRUCTIONS

1. To operate the tool in the forward direction, push the forward button (DF) (See Figure 1).



2. To operate the tool in the reverse direction, push the reverse button (DR) (See Figure 2).

This tool has 4 forward and 1 reverse torque settings with the maximum torque being in the reverse direction.

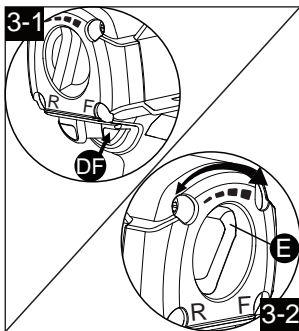


3. To select a torque setting in the forward direction, make sure forward button (DF) is pushed in all the way (See Figure 3-1).

The torque indicator goes from low to high (See Figure 3-2).

The smaller the rectangle, the lower the torque; the larger the rectangle, the higher the torque.

To choose the the appropriate torque setting required for the specific job, turn the torque setting switch (E) either clockwise or counterclockwise (See Figure 3-2).



CARE AND MAINTENANCE

ALWAYS DISCONNECT TOOL FROM THE AIR SUPPLY BEFORE PERFORMING ANY MAINTENANCE ON THE TOOL.

Always make sure the tool is properly lubricated during operation. Proper lubrication is shown in this instruction manual.

An in-line oiler (not included) is recommended to help increase tool life and keep the tool properly lubricated. The in-line oiler should be regularly checked and filled with air tool oil as needed. Proper adjustment of the in-line oiler can be performed by placing a sheet of paper next to the tool's exhaust ports while holding the throttle completely open for 30 seconds. When a light stain of oil collects on the paper, the oiler is properly adjusted. Excessive amounts of oil should be avoided.

Clean the entire tool with a cotton rag and lubricate the tool after each use. If storing the tool for an extended period, run for approximately 30 seconds to ensure oil has been evenly distributed throughout the tool. Always store tools in a clean, dry environment away from the reach of children.

Recommended lubricants: air-tool oil or any other high grade turbine oil containing moisture absorbent, rust inhibitors, metal wetting agents and an EP (Extreme Pressure) additive. Consult your local retailer for further assistance in selecting air tool oil best suited for proper lubrication.

STORING:

- Tool must be well cleaned and lightly lubricated before storing.
- Store tool in a dry, safe place out of the reach of children.

TROUBLESHOOTING

If the tool runs slowly or will not operate, check these possible problems and take the required corrective action:

POSSIBLE PROBLEM	SOLUTION
• Grit or gum in tool.	• Flush the tool with air-tool oil or gum solvent.
• No oil in tool.	• Lubricate the tool.
• Low air pressure.	• Adjust the regulator on the tool to the maximum setting. • Adjust the compressor regulator to tool maximum of 90 PSI. • NOTE: Air hoses may cause up to 15 PSI loss in pressure, so you may need to set a higher compressor output to maintain the required pressure at the tool.
• Air hose leaks.	• Tighten and seal hose fittings if leaks are found. Use sealing tape.
• Low air pressure.	• Be sure the hose is the proper size. Long hoses or tools using large volumes of air may require an internal diameter of 1/2 in. I.D. or larger, depending on total hose length. • Do not use multiple hoses connected together with quick-connect fittings. This causes additional loss of pressure and reduces the tool power. Use single hoses of the proper length.
• Worn rotor blade.	• Replace rotor blade.
• Moisture blowing out of tool exhaust.	• Water in compressor tank; drain tank. (See air compressor manual.) • Oil the tool and run until no water is evident. Oil the tool again and run 1 – 2 seconds.

WARRANTY

This tool is warranted by the manufacturer to the original purchaser from the original purchase date for three (3) years subject to the warranty coverage described herein.

This tool is warranted to the original user to be free from defect in material and workmanship. If you believe that a tool is defective, return the tool with proper proof of purchase to the point of purchase. If it is determined that the tool is defective and covered by this warranty, the distributor will replace the tool or refund the purchase price.

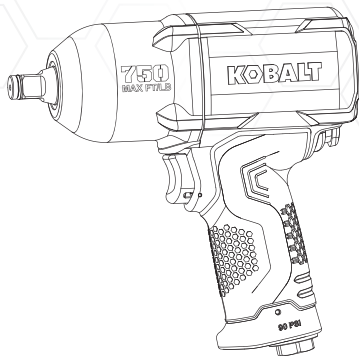
This warranty is void if: defects in materials or workmanship or damages result from repairs or alterations which have been made or attempted by others or the unauthorized use of nonconforming parts; the damage is due to normal wear, damage is due to abuse (including overloading of the tool beyond capacity), improper maintenance, neglect or accident; or the damage is due to the use of the tool after partial failure or use with improper accessories or unauthorized repair or alteration.

This warranty gives you specific legal rights, and you may also have other rights that vary from state to state.

For warranty questions, call our customer service department at 1-888-3KOBALT, 8:00 a.m.-8:00 p.m. EST, Monday-Friday.

Printed in China

KOBALT®



ARTICLE #0858980
CLÉ À CHOCS DE
1/2 PO ET DE 750 LB-PI
MODÈLE #SGY-AIR228

Kobalt® est une marque de commerce
déposée de LF, LLC. Tous droits réservés.

JOIGNEZ VOTRE REÇU ICI

Numéro de série _____ **Date d'achat** _____



Des questions, des problèmes, des pièces manquantes? Avant de retourner l'article au détaillant, communiquez avec notre service à la clientèle au 1 888 3KOBALT, entre 8 h et 20 h (HNE), du lundi au vendredi.

TABLE DES MATIÈRES

Exigences relatives au compresseur.....	17
Caractéristiques du produit.....	18
Consignes de sécurité.....	18
Contenu de l'emballage.....	24
Préparation.....	25
Instructions pour l'assemblage.....	25
Mode d'emploi.....	27
Entretien.....	28
Dépannage.....	29
Garantie.....	30

EXIGENCES RELATIVES AU COMPRESSEUR



IMPORTANT : Pour fonctionner convenablement, cet outil nécessite un débit d'air d'au moins 5 pi³/min standard à une pression de 90 lb/po². La longueur du tuyau à air peut avoir une incidence sur la pression d'air reçue par l'outil. Il est possible que vous ayez à augmenter la pression d'air sur le régulateur de débit d'air afin d'atteindre la pression de service de 90 lb/po².

CARACTÉRISTIQUES DU PRODUIT

COMPOSANTE	CARACTÉRISTIQUES
EMBOUT	1/2 PO
VITESSE LIBRE	7000 TOURS/MINUTE
COUPLE MAXIMAL	750 LB-PI
CONSOMMATION D'AIR MOYENNE	5 PI ³ /MIN STANDARD
ENTRÉE D'AIR	1/4 PO NPT
TUYAU À AIR	3/8 PO
PRESSION DE SERVICE	90 LB/PO ²

CONSIGNES DE SÉCURITÉ

Veillez vous assurer de lire et de comprendre l'intégralité du présent guide avant d'assembler, faire fonctionner ou entretenir cet article. Si vous avez des questions, veuillez téléphoner au service à la clientèle au 1 888 3KOBALT, entre 8 h et 20 h (HNE), du lundi au vendredi

AVERTISSEMENT

Une utilisation ou un entretien inadéquats de cet outil peut entraîner des blessures graves ou des dommages matériels. Assurez-vous de lire et de comprendre tous les avertissements et toutes les instructions avant d'utiliser l'outil. Lorsque vous utilisez un outil, observez toujours les mesures de sécurité de base afin de réduire les risques de blessure. Utilisez uniquement un outil, quel qu'il soit, pour l'usage auquel il est destiné. N'utilisez pas cet article dans des conditions de travail dangereuses. Il est toujours recommandé d'avoir un extincteur d'incendie et une trousse de premiers soins à proximité des aires de travail.

LE NON-RESPECT DES CONSIGNES DE SÉCURITÉ PEUT ENTRAÎNER DE GRAVES BLESSURES OU LA MORT.

AVERTISSEMENT

Afin de limiter votre exposition à des produits chimiques, travaillez dans un endroit bien ventilé et utilisez de l'équipement de sécurité approuvé, tel qu'un appareil respiratoire ou un masque antipoussières conçu spécialement pour filtrer les particules microscopiques.

⚠️ CONSIGNES DE SÉCURITÉ

⚠️ AVERTISSEMENT RISQUES DE BLESSURE AUX YEUX OU À LA TÊTE

RISQUES	MESURES PRÉVENTIVES
<ul style="list-style-type: none">• Cet outil pneumatique peut projeter des fixations, des fragments de métal et d'autres débris, ce qui peut causer des blessures graves.	<ul style="list-style-type: none">• Portez toujours des lunettes de sécurité conformément à la norme ANSI Z87.1.• Ne laissez jamais un outil en marche sans supervision.• Débranchez l'outil de l'alimentation en air lorsque vous ne l'utilisez pas ou lorsque vous changez d'accessoire, afin d'éviter qu'il se déclenche accidentellement.
<ul style="list-style-type: none">• L'air comprimé peut être dangereux, car il est susceptible de projeter des objets ou des particules pouvant causer des blessures aux tissus mous du corps, notamment les yeux et les oreilles.	<ul style="list-style-type: none">• Pour plus de protection, utilisez un écran facial approuvé et portez des lunettes de sécurité.
<ul style="list-style-type: none">• Les accessoires de l'outil peuvent se desserrer ou se briser et se détacher. Ils peuvent ainsi se transformer en projectiles ou percuter d'autres objets et les projeter vers l'utilisateur ou d'autres personnes se trouvant dans la zone de travail.	<ul style="list-style-type: none">• Assurez-vous que tous les accessoires sont bien assemblés et correctement fixés avant d'utiliser l'outil.• Utilisez toujours l'outil à une distance sécuritaire des autres personnes présentes dans l'aire de travail.• Assurez-vous que les mesures de sécurité dans l'aire de travail sont connues en tout temps.

⚠️ AVERTISSEMENT RISQUE DE PERTE AUDITIVE

RISQUES	MESURES PRÉVENTIVES
<ul style="list-style-type: none">• L'exposition au bruit produit par les outils pneumatiques peut entraîner une perte auditive permanente.	<ul style="list-style-type: none">• Portez toujours des protecteurs auditifs conformes à la norme ANSI S3.19.

⚠️ CONSIGNES DE SÉCURITÉ

⚠️ AVERTISSEMENT RISQUES D'INCENDIE OU D'EXPLOSION

RISQUES

- Cet outil peut produire des étincelles susceptibles d'enflammer certains matériaux.

MESURES PRÉVENTIVES

- N'utilisez jamais un outil à proximité d'une substance inflammable comme de l'essence, du naphtha, des solvants de nettoyage, etc.
- Travaillez dans un endroit propre, bien ventilé et dépourvu de matériaux combustibles.
- N'utilisez jamais d'oxygène, de dioxyde de carbone ni d'autre gaz embouteillé comme source d'alimentation pour les outils pneumatiques.

⚠️ AVERTISSEMENT RISQUE D'EMMÊLEMENT

RISQUES

- Les cheveux, les bijoux ou les vêtements amples peuvent se prendre dans les pièces mobiles de cet outil et causer des blessures graves.

MESURES PRÉVENTIVES

- Ne portez pas de vêtements amples, de bijoux, ni tout autre article qui pourrait s'accrocher ou s'emmêler dans l'outil lorsque vous utilisez l'outil.
- Retirez tout bijou susceptible de s'accrocher dans l'outil.
- Gardez toujours vos mains et les autres parties de votre corps à distance des pièces en mouvement.
- Portez toujours des vêtements et un équipement de protection bien ajustés lorsque vous utilisez cet outil.

⚠️ AVERTISSEMENT RISQUE DE COUPURE OU DE BRÛLURE

RISQUES

- Cet outil peut causer des blessures graves s'il est utilisé d'une manière inadéquate ou autre que celle pour laquelle il est conçu.
- La friction des accessoires sur les pièces travaillées peut rendre ces derniers extrêmement chauds.

MESURES PRÉVENTIVES

- Prenez garde à vos mains lorsque vous utilisez l'outil.

⚠️ CONSIGNES DE SÉCURITÉ

⚠️ AVERTISSEMENT RISQUE DE CHOC ÉLECTRIQUE

RISQUES	MESURES PRÉVENTIVES
<ul style="list-style-type: none">• La poignée de cet outil n'est pas isolée. Lorsque l'outil entre en contact avec un fil sous tension, ses parties métalliques exposées peuvent causer des chocs électriques, l'électrocution ou la mort.	<ul style="list-style-type: none">• N'utilisez jamais d'outils pneumatiques dans des endroits où ils pourraient entrer en contact avec des fils sous tension.
<ul style="list-style-type: none">• Le contact d'accessoires pour outils pneumatiques, comme les douilles à choc, avec des fils électriques dissimulés peut causer l'électrocution ou la mort.	<ul style="list-style-type: none">• Avant de commencer, vérifiez soigneusement les pièces travaillées et les aires de travail pour déceler les fils dissimulés.

⚠️ AVERTISSEMENT RISQUE DE BLESSURE

RISQUES	MESURES PRÉVENTIVES
<ul style="list-style-type: none">• Si vous laissez un outil sans surveillance ou que vous ne débranchez pas son tuyau à air lorsque vous cessez de l'utiliser, il risque d'être mis en marche par une personne non expérimentée et de la blesser ou de blesser d'autres personnes.	<ul style="list-style-type: none">• Lorsque vous n'utilisez pas l'outil, rangez-le dans un endroit sécuritaire, hors de la portée des enfants et autres personnes inexpérimentées, et débranchez le tuyau à air.
<ul style="list-style-type: none">• Les outils pneumatiques peuvent projeter des fixations ou d'autres matériaux dans l'aire de travail.	<ul style="list-style-type: none">• N'utilisez que des pièces, des fixations et des accessoires recommandés par le fabricant.• Gardez l'aire de travail propre et dépourvue de débris.• Ne laissez pas les enfants utiliser l'outil et gardez les enfants à distance de l'aire de travail.• Gardez l'aire de travail bien éclairée.
<ul style="list-style-type: none">• Les outils pneumatiques peuvent être accidentellement mis en marche lorsque vous les entretenez ou que vous changez d'outil.	<ul style="list-style-type: none">• Débranchez l'outil de l'alimentation en air avant de changer d'accessoire ou d'outil, ou d'effectuer un entretien ou une réparation.• Ne tenez jamais l'outil par le tuyau à air.• Afin d'éviter tout déclenchement accidentel, ne transportez jamais l'outil en maintenant la gâchette enfoncée.• Seul un représentant autorisé devrait effectuer l'entretien de l'outil.

⚠️ CONSIGNES DE SÉCURITÉ

⚠️ AVERTISSEMENT RISQUE DE BLESSURE

RISQUES	MESURES PRÉVENTIVES
<ul style="list-style-type: none">• Les outils pneumatiques peuvent déplacer les pièces sur lesquelles vous travaillez, ce qui peut causer des blessures.	<ul style="list-style-type: none">• Assurez-vous que la pièce travaillée est toujours solidement fixée en place. Maintenez les pièces en place à l'aide d'attaches ou autres dispositifs de fixation.
<ul style="list-style-type: none">• Une perte de maîtrise de l'outil peut causer des blessures à l'utilisateur ou aux autres personnes présentes dans l'aire de travail.	<ul style="list-style-type: none">• Coupez l'alimentation en air et évacuez la pression d'air du tuyau avant de changer les accessoires ou d'effectuer des réparations ou encore lorsque vous n'utilisez pas l'outil.• Débranchez l'outil de l'alimentation en air et rangez-le dans un endroit sécuritaire.• N'utilisez jamais l'outil sous l'effet de drogues ou de l'alcool.• Gardez un bon équilibre en tout temps lorsque vous manipulez l'outil. Les glissades, les pertes d'équilibre ou les chutes sont des causes importantes de blessures ou de décès.• Gardez les poignées de l'outil sèches, propres, et exemptes d'huile et de graisse.• Soyez vigilant. Usez de votre jugement. N'utilisez pas l'outil si vous êtes fatigué.
<ul style="list-style-type: none">• Un outil endommagé présente des risques de rupture.	<ul style="list-style-type: none">• Suivez les instructions pour la lubrification afin d'assurer un fonctionnement optimal et sécuritaire.• Suivez les instructions en matière de remplacement des accessoires.

⚠ CONSIGNES DE SÉCURITÉ

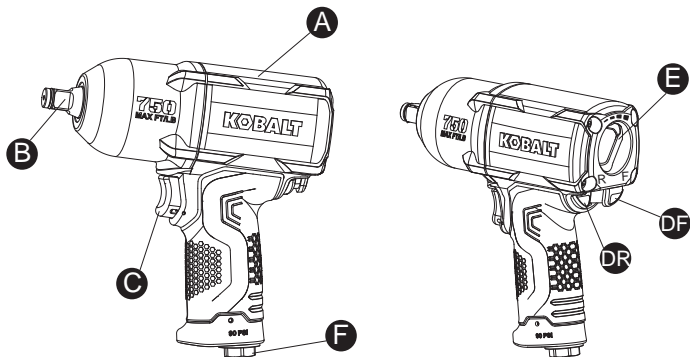
⚠ AVERTISSEMENT RISQUE DE BLESSURE

RISQUES

MESURES PRÉVENTIVES

<ul style="list-style-type: none">• Des accessoires de mauvaise qualité, endommagés ou inappropriés peuvent se détacher ou être projetés lors de l'utilisation et envoyer des débris dans l'aire de travail, ce qui peut entraîner des blessures graves.	<ul style="list-style-type: none">• N'utilisez que des accessoires qui conviennent à la vitesse de l'outil électrique.• N'utilisez jamais d'outils qui ont subi un impact ou qui ont été endommagés.• N'exercez pas une pression excessive sur l'outil; laissez-le accomplir la tâche lui-même.• N'utilisez jamais un outil qui présente une fuite d'air, auquel il manque des pièces, dont des pièces sont endommagées ou qui nécessite des réparations.• Suivez toujours les instructions pour l'assemblage, l'utilisation et l'entretien.
<ul style="list-style-type: none">• Les outils et les accessoires mal entretenus peuvent causer des blessures graves.	<ul style="list-style-type: none">• Entretenez soigneusement l'outil et les accessoires.• Gardez l'outil propre et adéquatement huilé pour un rendement optimal et sécuritaire.
<ul style="list-style-type: none">• L'utilisation d'un accessoire qui n'est pas conçu pour un outil donné augmente les risques de blessure pour l'utilisateur et les autres personnes qui se trouvent dans l'aire de travail.	<ul style="list-style-type: none">• N'utilisez que des accessoires conçus pour l'outil et la tâche à effectuer.• Ne modifiez pas l'outil ni les accessoires, et ne tentez pas d'en créer.
<ul style="list-style-type: none">• Les mouvements répétitifs, les positions inconfortables et l'exposition aux vibrations peuvent présenter un danger pour les mains et les bras.	<ul style="list-style-type: none">• Cessez d'utiliser l'outil si vous ressentez un inconfort, un picotement ou une douleur.• Consultez un médecin avant d'utiliser l'outil de nouveau si vous éprouvez l'un de ces symptômes.

CONTENU DE L'EMBALLAGE



PIÈCE	DESCRIPTION	QUANTITÉ
A	Clé à chocs pneumatique de 1/2 po	1
B	Butée	1
C	Gâchette	1
DR	Bouton de desserrage	1
DF	Bouton de serrage	1
E	Bouton de réglage du couple	1
F	Entrée d'air	1

PRÉPARATION

Avant de commencer l'assemblage de l'outil, assurez-vous d'avoir toutes les pièces. Comparez le contenu de l'emballage avec la liste des pièces. S'il y a des pièces manquantes ou endommagées, ne tentez pas d'assembler l'outil.

Temps d'assemblage approximatif : de 1 à 3 minutes.

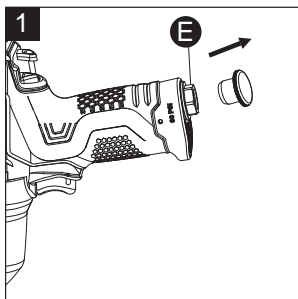
Outils et matériel nécessaires pour l'assemblage (non inclus):

- Clé de 3/4 po (19 mm)
- Clé de 9/16 po (14 mm) ou clé à molette
- Ruban pour joints filetés
- Huile pour outils
- Connecteur mâle

INSTRUCTIONS POUR L'ASSEMBLAGE

1. Retirez le capuchon protecteur en plastique de l'entrée d'air (E) (consultez la figure 1).

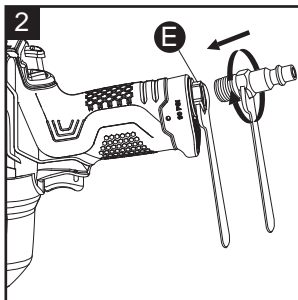
REMARQUE : L'entrée d'air (E) tournera librement, donc deux clés sont nécessaires pour fixer le connecteur mâle.



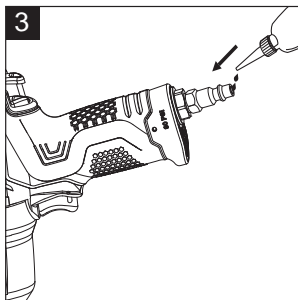
2. Insérez le connecteur mâle dans l'entrée d'air (E). À l'aide d'une clé de 3/4 po (19 mm) (non incluse), tenez l'écrou de l'entrée d'air (E) et serrez le connecteur mâle en le tournant dans le sens des aiguilles d'une montre à l'aide d'une clé de 9/16 po (14 mm) (non incluse), afin que le raccord soit étanche à l'air (consultez la figure 2).

ÉVITEZ DE SERRER EXCESSIVEMENT.

REMARQUE Entourez le filetage du connecteur mâle avec du ruban d'étanchéité pour joints filetés (non inclus).



3. Versez 2 ou 3 gouttes d'huile à outil pneumatique (non incluse) dans l'ouverture du connecteur mâle avant chaque utilisation (consultez la figure 3).



INSTRUCTIONS POUR L'ASSEMBLAGE

4. Sélectionnez la bonne douille à choc (non incluse) et fixez-la à la butée (B) (consultez la figure 4).

⚠ AVERTISSEMENT

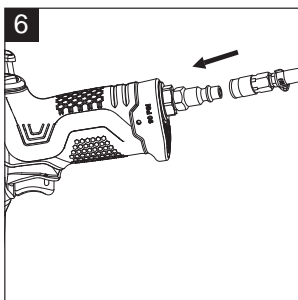
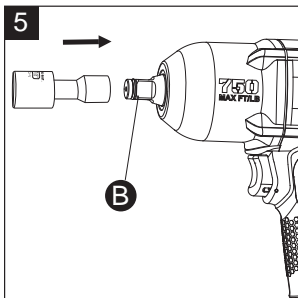
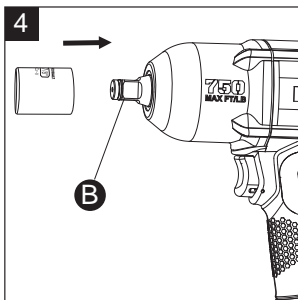
N'utilisez que des adaptateurs et des douilles prenant en charge un couple nominal équivalent ou supérieur à celui de l'outil. Assurez-vous toujours que les adaptateurs et les douilles sont bien installés et fixés avant d'utiliser l'outil. Les accessoires desserrés peuvent se briser et être projetés, ce qui peut causer de graves blessures à l'utilisateur ou à d'autres personnes présentes dans l'aire de travail. Suivez toujours l'ensemble des instructions du fabricant des accessoires pour bien fixer et utiliser ces derniers.

5. Pour une plus grande portée, fixez la douille à l'extrémité d'une rallonge (non incluse), puis fixez la rallonge à la butée (consultez la figure 5).

REMARQUE Assurez-vous que la douille et la rallonge sont bien fixées avant d'utiliser l'outil.

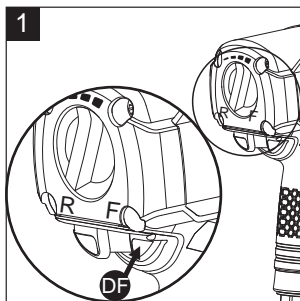
6. Branchez le tuyau d'alimentation en air sur le connecteur mâle (consultez la figure 6) en vous assurant qu'il est bien enfoncé et fixé. Pour un fonctionnement optimal, réglez la pression de service à 90 lb/po².

REMARQUE La pression de service correspond à la pression d'air utilisée par l'outil lorsqu'il fonctionne.



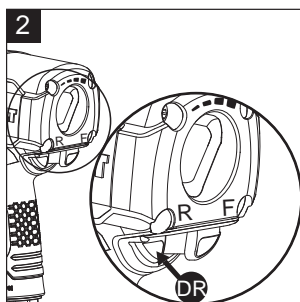
MODE D'EMPLOI

1. Pour utiliser l'outil en mode serrage, poussez le bouton de serrage (DF) (consultez la figure 1).



2. Pour utiliser l'outil en mode desserrage, poussez le bouton de desserrage (DR) (consultez la figure 2).

Cet outil propose 1 réglage de couple pour le desserrage, et 4 pour le serrage, le couple de desserrage étant le plus élevé.

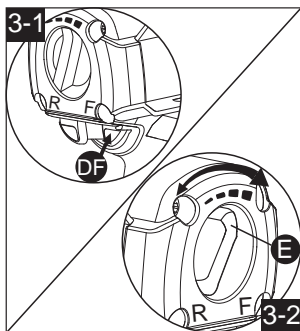


3. Pour sélectionner un réglage de couple pour le serrage, assurez-vous que le bouton de serrage (DF) est complètement enfoncé (consultez la figure 3-1).

L'indicateur de couple passe de faible à élevé (consultez la figure 3-2).

Plus le rectangle est grand, plus le couple est élevé.

Tournez le bouton de réglage du couple (E) dans un sens ou dans l'autre (consultez la figure 3-2) pour choisir le réglage de couple approprié pour la tâche.



ENTRETIEN

COUPEZ TOUJOURS L'ALIMENTATION EN AIR AVANT D'EFFECTUER TOUT ENTRETIEN DE L'OUTIL.

Assurez-vous que l'outil est toujours correctement lubrifié pendant l'utilisation. Les conditions de lubrification appropriées sont indiquées dans le présent manuel.

Il est recommandé d'employer un huileur en ligne (non inclus), car celui-ci contribue à prolonger la durée de vie de l'outil tout en lubrifiant ce dernier. L'huileur doit être régulièrement vérifié et, au besoin, rempli d'huile pour outil pneumatique. Pour vérifier si l'huileur en ligne est réglé correctement, vous pouvez placer une feuille de papier à côté des orifices d'échappement de l'outil et maintenir la soupape complètement ouverte pendant environ 30 secondes. Si une légère tache d'huile se forme sur le papier, le réglage de l'huileur est adéquat. Évitez de lubrifier excessivement l'outil.

Nettoyez l'outil en entier à l'aide d'un linge en coton et lubrifiez-le après chaque utilisation. Si l'outil est resté rangé pendant une longue période, faites-le fonctionner pendant environ 30 secondes pour vous assurer que l'huile a été répartie uniformément dans l'outil. Rangez toujours l'outil dans un endroit propre et sec, hors de la portée des enfants.

Lubrifiants recommandés : huile pour outil pneumatique ou toute autre huile de qualité pour turbine contenant des absorbants d'humidité, des antioxydants, des agents d'arrosage de métal et un additif EP (pression extrême). Veuillez communiquer avec votre détaillant local pour savoir quelle huile pour outil pneumatique offrira la meilleure lubrification de votre outil.

RANGEMENT :

- Nettoyez adéquatement l'outil et lubrifiez-le légèrement avant de le ranger.
- Rangez l'outil dans un endroit sec et sûr, hors de la portée des enfants.

DÉPANNAGE

Si l'outil est lent ou ne fonctionne pas, vérifiez les points suivants et prenez les mesures correctives nécessaires :

CAUSE(S) POSSIBLE(S)	MESURE CORRECTIVE
• De la gomme ou des fragments se sont logés dans l'outil.	• Rincez l'outil avec de l'huile pour outil pneumatique ou du dissolvant de gomme.
• L'outil manque d'huile.	• Lubrifiez l'outil.
• La pression d'air est trop faible.	• Réglez le régulateur de l'outil à son maximum. • Réglez le régulateur du compresseur de l'outil à sa pression manométrique maximale, soit 90 lb/po ² . • REMARQUE: L'utilisation d'un tuyau à air peut entraîner une chute de pression allant jusqu'à 15 lb/po ² . Il peut donc s'avérer nécessaire d'augmenter la pression venant du compresseur afin de maintenir un niveau adéquat à l'outil.
• Le tuyau à air fuit.	• Si vous décelez des fuites, serrez les raccords du tuyau et scellez-le à l'aide de ruban d'étanchéité.
• La pression d'air est trop faible.	• Assurez-vous que le tuyau est de dimensions appropriées. Les longs tuyaux ou les outils utilisant de grandes quantités d'air peuvent nécessiter un diamètre intérieur de tuyau de 1/2 po ou plus, selon la longueur totale du tuyau. • N'utilisez pas de multiples tuyaux reliés par des raccords à branchement rapide; ceux-ci engendrent des chutes de pression supplémentaires et diminuent la puissance de l'outil. Utilisez plutôt un seul tuyau de la bonne longueur.
• La pale du rotor est usée.	• Remplacez la pale du rotor.
• De l'humidité s'échappe des orifices de l'outil.	• De l'eau s'est accumulée dans le réservoir du compresseur; évacuez l'eau. (Consultez le manuel du compresseur d'air.) • Lubrifiez l'outil et faites-le fonctionner jusqu'à ce qu'il n'y ait plus de trace d'eau. Lubrifiez de nouveau l'outil et faites-le fonctionner pendant 1 ou 2 secondes.

GARANTIE

Cet outil est garanti par le fabricant pour une période de trois (3) ans à partir de la date d'achat, selon les modalités décrites aux présentes.

Cet outil est garanti contre les défauts de matériaux et de fabrication. Si vous croyez qu'il est défectueux, retournez-le, accompagné d'une preuve d'achat acceptable, au point de vente d'origine. Si l'outil est jugé défectueux et qu'il est couvert par la présente garantie, le distributeur l'échangera ou vous remboursera le prix d'achat.

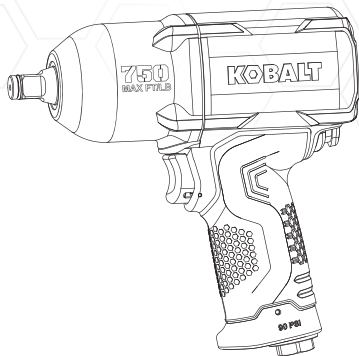
Cette garantie sera annulée si : les défauts de matériaux ou de fabrication ou les dommages résultent de réparations ou de modifications non autorisées, de l'utilisation de pièces non conformes, de l'usure normale, d'un usage abusif (notamment une surcharge de l'outil), d'un entretien inadéquat, d'une négligence, d'un accident, d'une utilisation après une défaillance partielle ou de l'utilisation d'accessoires inappropriés.

Cette garantie vous confère des droits précis. Il est possible que vous disposiez également d'autres droits, qui varient d'un État ou d'une province à l'autre.

Pour toute question concernant la garantie, communiquez avec le service à la clientèle au 1 888 3KOBALT, entre 8 h et 20 h (HNE), du lundi au vendredi.

Imprimé en Chine

KOBALT®



ARTÍCULO #0858980
**LLAVE DE PERCUSIÓN DE
1/2 PULG. Y 103,69 KGF-M**
MODELO #SGY-AIR228

Kobalt® es una marca registrada
de LF, LLC. Todos los derechos reservados.

ADJUNTE SU RECIBO AQUÍ

Número de serie _____ Fecha de compra _____



¿Preguntas, problemas, piezas faltantes? Antes de volver a la tienda, llame a nuestro Departamento de Servicio al Cliente al 1-888-3KOBALT, de lunes a viernes de 8:00 a.m. a 8:00 p.m., hora estándar del Este.

ÍNDICE

Requerimientos del compresor.....	32
Especificaciones del producto.....	33
Información de seguridad.....	33
Contenido del paquete.....	39
Preparación.....	40
Instrucciones de ensamblaje.....	40
Instrucciones de funcionamiento.....	42
Cuidado y mantenimiento.....	43
Solución de problemas.....	44
Garantía.....	45

REQUERIMIENTOS DEL COMPRESOR



IMPORTANTE: para funcionar correctamente, esta herramienta necesita un flujo de aire de al menos 5 pies cúbicos estándar por minuto (SCFM, por sus siglas en inglés) a 90 libras por pulgada cuadrada (PSI por sus siglas en inglés) en la herramienta. El largo de la manguera de aire podría afectar la cantidad de presión de aire que recibe realmente la herramienta. Es posible que deba ajustar la presión de aire más alta en el regulador de aire para lograr la presión de trabajo de 90 PSI.

ESPECIFICACIONES DEL PRODUCTO

COMPONENTE	ESPECIFICACIONES
EMPALME	1/2 PULG.
VELOCIDAD SIN CARGA	7000 RPM
TORQUE MÁXIMO	103,69 KGF-M.
CONSUMO DE AIRE PROMEDIO	5 SCFM
ENTRADA DE AIRE	NPT DE 1/4 PULG.
MANGUERA DE AIRE COMPRIMIDO	3/8 PULG.
PRESIÓN DE TRABAJO	90 PSI

INFORMACIÓN DE SEGURIDAD

Lea y comprenda completamente este manual antes de intentar ensamblar, operar o darle mantenimiento a este producto. Si tiene alguna pregunta, llame al Departamento de Servicio al Cliente al 1-888-3KOBALT, de lunes a viernes de 8:00 a.m. a 8:00 p.m., hora estándar del Este.

ADVERTENCIA

El uso o el mantenimiento inadecuado de esta herramienta pueden ocasionar lesiones graves y daños a la propiedad. Lea y comprenda todas las advertencias y las instrucciones de funcionamiento antes de usar esta herramienta. Cuando utilice cualquier herramienta, siga siempre las medidas de precaución básicas para reducir el riesgo de lesiones personales. Use cada una de las herramientas solo para el fin para el cual fue concebida. No use este producto en condiciones de trabajo inseguras. Se recomienda tener siempre un extintor de incendios y un kit de primeros auxilios cerca del área de trabajo.

NO CUMPLIR NI SEGUIR LAS INSTRUCCIONES DE SEGURIDAD PODRÍA PROVOCAR LESIONES O LA MUERTE.

ADVERTENCIA

Para reducir su exposición a sustancias químicas, trabaje en un área bien ventilada y con un equipo de seguridad aprobado, como un filtro respiratorio o mascarillas antipolvo que estén especialmente diseñadas para filtrar partículas microscópicas.

⚠ INFORMACIÓN DE SEGURIDAD

⚠ ADVERTENCIA RIESGO DE LESIONES EN LOS OJOS O LA CABEZA

LO QUE PODRÍA OCURRIR	CÓMO EVITARLO
<ul style="list-style-type: none">• Esta herramienta neumática puede lanzar materiales como sujetadores, astillas de metal y otros residuos a alta velocidad, lo que puede provocar lesiones.	<ul style="list-style-type: none">• Siempre utilice gafas de seguridad aprobadas por la norma ANSI Z87.1.• Nunca deje la herramienta en funcionamiento sin supervisión.• Desconecte la herramienta del suministro de aire cuando no esté en uso o mientras cambia los accesorios con el fin de prevenir cualquier operación accidental.
<ul style="list-style-type: none">• El aire comprimido puede ser peligroso ya que puede lanzar objetos y partículas que pueden causar lesiones a zonas de tejido blando como los ojos y orejas.	<ul style="list-style-type: none">• Para una protección adicional, use una máscara protectora aprobada, además de las gafas de seguridad.
<ul style="list-style-type: none">• Los accesorios de las herramientas pueden soltarse o romperse y desprenderse transformándose en proyectiles, o pueden lanzar otros objetos al usuario y los que estén en la zona de trabajo.	<ul style="list-style-type: none">• Asegúrese de que todos los accesorios estén ajustados adecuadamente y bien fijados antes del uso.• Siempre use la herramienta a una distancia segura de las demás personas que se encuentran en el lugar de trabajo.• Manténgase constantemente alerta con relación a la seguridad del área de trabajo.

⚠ ADVERTENCIA RIESGO DE PÉRDIDA DE LA AUDICIÓN

LO QUE PODRÍA OCURRIR	CÓMO EVITARLO
<ul style="list-style-type: none">• La exposición al ruido producido por las herramientas neumáticas puede producir la pérdida permanente de la audición.	<ul style="list-style-type: none">• Use siempre protección para los oídos aprobada por la norma ANSI S3.19.

⚠ INFORMACIÓN DE SEGURIDAD

⚠ ADVERTENCIA RIESGO DE INCENDIO O EXPLOSIÓN

LO QUE PODRÍA OCURRIR

- Esta herramienta puede producir chispas, las cuales podrían causar la ignición de materiales inflamables.

CÓMO EVITARLO

- Nunca use herramientas cerca de sustancias inflamables, como gasolina, nafta, solventes de limpieza, etc.
- Trabaje en un área limpia y bien ventilada libre de materiales combustibles.
- Nunca utilice oxígeno, dióxido de carbono u otros gases embotellados como fuente de alimentación para las herramientas neumáticas.

⚠ ADVERTENCIA RIESGO DE ENREDOS

LO QUE PODRÍA OCURRIR

- El cabello, la ropa o las joyas sueltas, u otros objetos sueltos pueden enredarse en los elementos móviles de esta herramienta y provocar una lesión grave.

CÓMO EVITARLO

- No use vestimenta suelta, joyas o elementos que puedan atascarse o enredarse cuando utilice la herramienta.
- Sáquese las joyas que puedan atascarse en la herramienta.
- Mantenga siempre sus manos y partes del cuerpo alejadas de las piezas en movimiento.
- Siempre use ropa y otro equipo de seguridad de calces adecuados cuando use esta herramienta.

⚠ ADVERTENCIA RIESGO DE CORTES O QUEMADURAS

LO QUE PODRÍA OCURRIR

- Esta herramienta es capaz de causar lesiones graves si se opera de forma inadecuada o si se utiliza para un fin para el que no está diseñada.
- Los accesorios pueden alcanzar altas temperaturas durante la fricción en la que hacen contacto con las piezas de trabajo.

CÓMO EVITARLO

- Mantenga la pieza de trabajo de la herramienta alejada de las manos y el cuerpo.

! INFORMACIÓN DE SEGURIDAD

! ADVERTENCIA RIESGO DE DESCARGA ELÉCTRICA

LO QUE PODRÍA OCURRIR	CÓMO EVITARLO
<ul style="list-style-type: none">• Esta herramienta no se proporciona con una superficie de agarre aislada. El contacto con un cable energizado también hará que las piezas de meta de la herramienta estén energizadas y pueden ocasionar electrocución, electrocución o la muerte.	<ul style="list-style-type: none">• Nunca utilice herramientas neumáticas en lugares donde puedan entrar en contacto con algún cableado eléctrico energizado.
<ul style="list-style-type: none">• Los accesorios de la herramienta neumática como los tubos de impacto que entran en contacto con un cableado eléctrico oculto podrían causar electrocución o la muerte.	<ul style="list-style-type: none">• Inspeccione completamente las piezas y las áreas de trabajo en búsqueda de posibles cables ocultos antes de realizar trabajos.

! ADVERTENCIA RIESGO DE LESIONES PERSONALES

LO QUE PODRÍA OCURRIR	CÓMO EVITARLO
<ul style="list-style-type: none">• Si se deja una herramienta sin supervisión o con la manguera de aire comprimido conectada, personas no autorizadas pueden activarla y sufrir o provocar lesiones.	<ul style="list-style-type: none">• Cuando la herramienta no esté en uso, retire la manguera de aire comprimido y almacene la herramienta en una ubicación segura y alejada del alcance de niños y usuarios no capacitados.
<ul style="list-style-type: none">• Las herramientas neumáticas pueden lanzar sujetadores u otros materiales en el área del trabajo.	<ul style="list-style-type: none">• Utilice solo las piezas, los sujetadores y los accesorios recomendados por el fabricante.• Mantenga el área de trabajo limpia y ordenada.• No permita que los niños operen la herramienta y manténgalos alejados del área de trabajo.• Mantenga el área de trabajo bien iluminada.
<ul style="list-style-type: none">• Las herramientas neumáticas se pueden activar accidentalmente durante la realización de mantenimiento o el cambio de herramientas.	<ul style="list-style-type: none">• Desconecte la herramienta del suministro de aire mientras cambia los accesorios, hace cambios en la herramienta, durante el mantenimiento o la reparación.• Nunca transporte la herramienta sujetándola de la manguera de aire comprimido.• Para evitar un funcionamiento accidental, nunca transporte la herramienta con el gatillo apretado o enganchado.• Solo un representante de servicio autorizado debe realizar reparaciones en la herramienta.

! INFORMACIÓN DE SEGURIDAD

! ADVERTENCIA RIESGO DE LESIONES PERSONALES

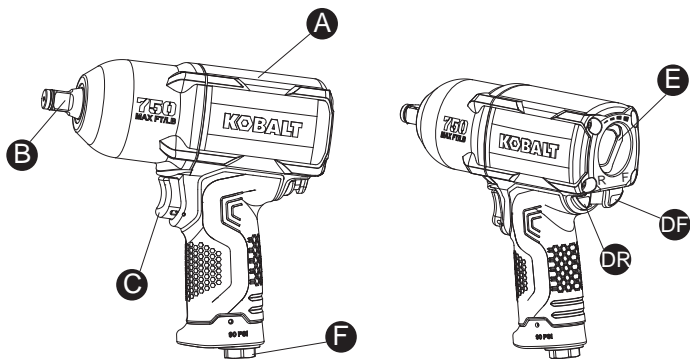
LO QUE PODRÍA OCURRIR	CÓMO EVITARLO
<ul style="list-style-type: none">• Las herramientas neumáticas pueden provocar que la pieza de trabajo se mueva al tener contacto y causar lesiones.• La pérdida del control de la herramienta puede provocar lesiones al operador o a otras personas en el área de trabajo.	<ul style="list-style-type: none">• Asegúrese siempre de que la pieza de trabajo esté firme. Utilice abrazaderas u otros dispositivos para evitar que se mueva.• Cierre el paso del suministro de aire y libere/drene la presión de aire de la manguera antes de cambiar los accesorios, realizar reparaciones o cuando la herramienta no esté en uso.• Desconecte la herramienta del suministro de aire y almacénela en una ubicación segura.• Nunca use la herramienta si está bajo la influencia del alcohol o drogas.• Mantenga una posición adecuada en todo momento al manipular las herramientas. Los deslizamientos, los tropezones y las caídas son las causas principales de lesiones graves o la muerte.• Mantenga las manijas de la herramienta seca, limpia y sin aceite ni grasa.• Manténgase alerta. Use el sentido común. No utilice las herramientas si está cansado.
<ul style="list-style-type: none">• Si la herramienta se daña, existe el riesgo de que reviente.	<ul style="list-style-type: none">• Siga las instrucciones de lubricación para un funcionamiento óptimo y seguro.• Siga las instrucciones sobre cómo cambiar correctamente los accesorios.

! INFORMACIÓN DE SEGURIDAD

! ADVERTENCIA RIESGO DE LESIONES PERSONALES

LO QUE PODRÍA OCURRIR	CÓMO EVITARLO
<ul style="list-style-type: none">• Los accesorios de mala calidad, inadecuados o dañados pueden desprenderse durante el uso y lanzar proyectiles por el área de trabajo causando lesiones graves.	<ul style="list-style-type: none">• Utilice siempre accesorios clasificados para la velocidad de la herramienta eléctrica.• Nunca use herramientas que se hayan caído, golpeado o dañado.• No aplique fuerza excesiva a la herramienta; deje que esta realice el trabajo.• Nunca use una herramienta que tenga fugas de aire, que le falten piezas o tenga piezas dañadas o que requiera reparaciones.• Siga siempre las instrucciones de ensamblaje, funcionamiento y mantenimiento.
<ul style="list-style-type: none">• Las herramientas y los accesorios con mantenimiento inadecuado pueden causar lesiones graves.	<ul style="list-style-type: none">• Realice un mantenimiento adecuado de la herramienta y los accesorios.• Mantenga las herramientas limpias y bien lubricadas para obtener un rendimiento óptimo y seguro.
<ul style="list-style-type: none">• El uso de accesorios que no estén diseñados para utilizarse con la herramienta específica aumenta el riesgo de lesiones al operador y a las personas que estén en el área de trabajo.	<ul style="list-style-type: none">• Utilice siempre accesorios diseñados para la herramienta y el trabajo a realizar.• No modifique ni improvise con las herramientas o los accesorios.
<ul style="list-style-type: none">• Los movimientos repetidos, las posiciones incómodas y la exposición a la vibración pueden ser perjudiciales para las manos y los brazos.	<ul style="list-style-type: none">• Deje de utilizar la herramienta si se siente incómodo, experimenta entumecimiento o tiene dolor.• Si se presentan algunos de estos síntomas, consulte al médico antes de reanudar el trabajo.

CONTENIDO DEL PAQUETE



PIEZA	DESCRIPCIÓN	CANTIDAD
A	Llave de percusión de 1/2 pulg.	1
B	Yunque	1
C	Gatillo	1
DR	Botón de reversa	1
DF	Botón hacia delante	1
E	Interruptor para la configuración de la torsión	1
F	Entrada de aire	1

PREPARACIÓN

Antes de comenzar a ensamblar esta herramienta, asegúrese de tener todas las piezas. Compare las piezas con la lista del contenido del paquete. No intente ensamblar la herramienta si falta alguna pieza o si estas están dañadas.

Tiempo estimado de ensamblaje: 1 a 3 minutos

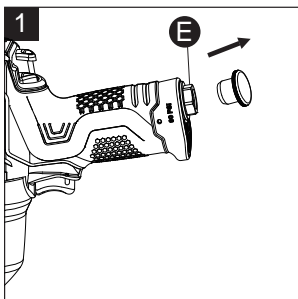
Herramientas y materiales necesarios para el ensamblaje (no se incluyen):

- Llave inglesa de 3/4 pulg. (19 mm)
- Llave ajustable de 9/16 pulg. (14 mm)
- Cinta selladora para roscas
- Aceite para herramientas
- Conector macho

INSTRUCCIONES DE ENSAMBLAJE

1. En la entrada de aire (E), retire la tapa protectora plástica de la entrada de aire (consulte la figura 1).

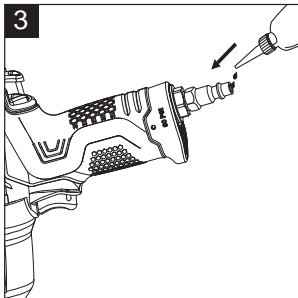
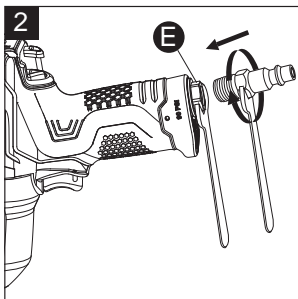
NOTA: El aire al ingresar (E) girará libremente de manera que se requieren las dos llaves para inmovilizar el enchufe macho.



2. Coloque el enchufe macho en la entrada de aire (E). Con una llave inglesa de 3/4" (19 mm) (no se incluye) sostenga la tuerca de entrada de aire (E) y apriete el enchufe macho girándolo en dirección de las manecillas del reloj con una llave de 9/16" (14 mm) (no se incluye) para contar con una conexión de aire hermética (Consulte la figura 2).
NO APRIETE DEMASIADO.

NOTA Use cinta selladora para roscas (no se incluye) en las roscas del enchufe macho.

3. Coloque de 2 a 3 gotas de aceite para herramientas neumáticas (no se incluye) en la apertura del enchufe macho antes de cada uso (consulte la figura 3).



INSTRUCCIONES DE ENSAMBLAJE

4. Seleccione el dado de percusión correcto (no se incluye) y móntelo en el yunque (B) hasta que encaje en su lugar (consulte la Figura 4).

⚠ ADVERTENCIA

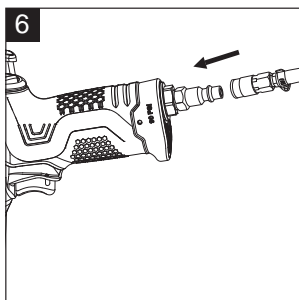
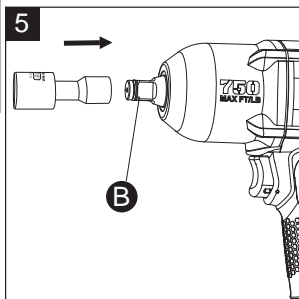
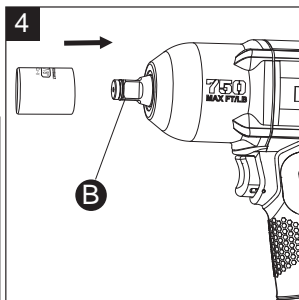
Solo use adaptadores y dados que tengan una clasificación de torque igual o superior a la de la herramienta. Siempre asegúrese de que los adaptadores y dados estén correctamente instalados y asegurados antes de utilizar esta herramienta. Los accesorios de las herramientas pueden romperse y desprenderse, lo que puede causar lesiones graves al operador o las demás personas que estén en la zona de trabajo. Siempre siga las especificaciones del fabricante para lograr una correcta fijación y utilización.

5. Para obtener un mayor alcance, monte el dado en el extremo de una barra de extensión (no se proporciona) y luego monte la barra de extensión en el yunque (consulte la Figura 5).

NOTA Asegúrese de que el dado y la barra de extensión estén debidamente asegurados antes de operar la herramienta.

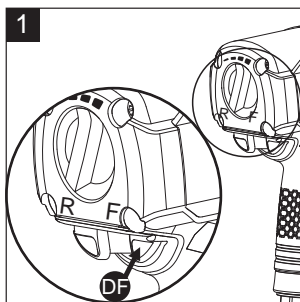
6. Conecte la manguera de suministro de aire al conector de aire macho (consulte la Figura 6) y asegúrese de que está encajada y segura. Establezca la presión de trabajo en 90 PSI para obtener el mejor rendimiento de la herramienta.

NOTA La presión de trabajo es la cantidad de presión de aire de que la herramienta detecta al funcionar.



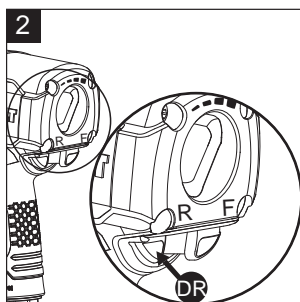
INSTRUCCIONES DE FUNCIONAMIENTO

1. Para operar la herramienta en dirección hacia delante, presione el botón hacia delante (DF) (consulte la Figura 1).



2. Para operar la herramienta en dirección reversa, presione el botón de reversa (DR) (consulte la Figura 2).

Esta herramienta cuenta con 4 ajustes de torsión hacia delante y 1 de reversa, siendo esta última dirección la que posee la torsión máxima.

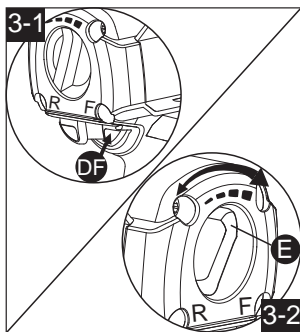


3. Para seleccionar un ajuste de torsión en la dirección hacia delante, asegúrese de que el botón hacia delante (DF) esté presionado completamente (consulte la Figura 3-1).

El indicador de torsión va de baja a alta (consulte la Figura 3-2).

Mientras más pequeño sea el rectángulo, más baja es la torsión; mientras más grande sea el rectángulo, mayor será la torsión.

Para escoger el ajuste de torsión adecuado necesario para un trabajo específico, gire el interruptor de ajuste de torsión (E) ya sea en dirección de las manecillas del reloj o en dirección contraria a las manecillas del reloj (consulte la Figura 3-2).



CUIDADO Y MANTENIMIENTO

SIEMPRE RETIRE LA HERRAMIENTA DEL SUMINISTRO DE AIRE ANTES DE REALIZAR CUALQUIER TAREA DE MANTENIMIENTO EN ELLA.

Siempre asegúrese de que la herramienta esté lubricada correctamente mientras dura su ejecución. La lubricación adecuada se muestra en este manual de instrucciones.

Se recomienda usar un lubricador en línea (no incluido) para aumentar la vida útil de la herramienta y mantenerla correctamente lubricada. Se debe verificar regularmente el lubricador en línea y llenarlo con aceite para herramientas neumáticas según sea necesario. El ajuste adecuado del lubricador en línea puede realizarse colocando una hoja de papel junto a los orificios de escape de la herramienta y manteniendo el regulador completamente abierto por 30 segundos. Cuando aparece una leve mancha de aceite en el papel, el lubricador en línea está ajustado de manera adecuada. Se deben evitar las cantidades excesivas de aceite.

Limpie completamente la herramienta con un trapo de algodón y lubríquela después de cada uso. Si la herramienta estuvo guardada por un período largo, hágala funcionar por aproximadamente 30 segundos para garantizar que el aceite se haya distribuido en forma pareja en toda la herramienta. Siempre almacene las herramientas en un lugar limpio, seco y alejado del alcance de los niños.

Use aceite para herramientas neumáticas o cualquier otro aceite de alta calidad para turbinas que contenga absorbente de humedad, antioxidante, agentes de humidificación de metales y un aditivo para presión extrema (EP, por sus siglas en inglés). Consulte a su distribuidor local para obtener más ayuda para seleccionar el aceite para herramienta neumática que mejor se adapte para una lubricación apropiada.

ALMACENAJE:

- La herramienta debe estar bien limpia y ligeramente lubricada antes de almacenarla.
- Almacene la herramienta neumática en un lugar seco y seguro, fuera del alcance de los niños.

SOLUCIÓN DE PROBLEMAS

Si la herramienta funciona lentamente o no funciona, verifique estos posibles problemas y realice la acción correctiva correspondiente:

CAUSA POSIBLE	SOLUCIÓN
<ul style="list-style-type: none">• Hay polvo o goma en la herramienta.	<ul style="list-style-type: none">• Enjuague la herramienta con aceite para herramientas neumáticas o solvente para goma.
<ul style="list-style-type: none">• No hay aceite en la herramienta.	<ul style="list-style-type: none">• Lubrique la herramienta.
<ul style="list-style-type: none">• La presión de aire es baja.	<ul style="list-style-type: none">• Ajuste el regulador en la herramienta en la configuración máxima.• Ajuste el regulador del compresor al máximo de la herramienta en 90 PSI.• NOTA: las mangueras de aire comprimido pueden causar una pérdida de hasta 15 PSI en la presión, de manera que puede necesitar configurar la potencia más alta del compresor para mantener la presión requerida en la herramienta.
<ul style="list-style-type: none">• Hay fugas en la manguera de aire comprimido.	<ul style="list-style-type: none">• Apriete y selle los conectores de la manguera si se encuentran fugas. Use cinta de sellado.
<ul style="list-style-type: none">• La presión de aire es baja.	<ul style="list-style-type: none">• Asegúrese de que la manguera sea del tamaño adecuado. Las mangueras largas o las herramientas que usen grandes volúmenes de aire pueden requerir un diámetro interno de 1/2 pulg. o más, según el largo total de la manguera.• No utilice varias mangueras conectadas entre sí con conectores de conexión rápida. Esto causa pérdidas de presión adicionales y reduce la potencia de la herramienta. Utilice mangueras simples del largo apropiado.
<ul style="list-style-type: none">• Las aspas del rotor están desgastadas.	<ul style="list-style-type: none">• Reemplace el aspa del rotor.
<ul style="list-style-type: none">• Sale humedad del escape de la herramienta.	<ul style="list-style-type: none">• Vierta agua en el tanque del compresor; drene el tanque. (Consulte el manual del compresor de aire).• Lubrique la herramienta y hágala funcionar hasta que no haya evidencia de agua. Vuelva a lubricar la herramienta y hágala funcionar durante 1 a 2 segundos.

GARANTÍA

Esta herramienta está garantizada por el fabricante para el comprador original desde la fecha de compra original por tres (3) años y está sujeta a la cobertura de garantía que se describe en el presente.

Esta herramienta tiene una garantía para el usuario original contra defectos en los materiales y la mano de obra. Si cree que una herramienta presenta defectos, devuelva la herramienta con una adecuada prueba de compra al lugar de la compra. Si se determina que la herramienta presenta defectos y estos están cubiertos por esta garantía, el distribuidor reemplazará la herramienta o reembolsará el precio de compra.

Esta garantía es nula si: Los defectos en los materiales o la mano de obra o los daños han sido causados por reparaciones o modificaciones hechas o que se hayan intentado hacer por parte de terceros o el uso no autorizado de piezas que incompatibles; el daño es debido al desgaste normal; el daño es debido al abuso (lo que incluye la sobrecarga de la herramienta por encima de su capacidad), mantenimiento inadecuado, negligencia o accidente; o el daño es debido al uso de la herramienta después de una falla parcial, el uso con accesorios inadecuados o reparaciones o alteraciones no autorizadas.

Esta garantía le otorga derechos legales específicos, pero podría tener también otros derechos que varían según el estado.

Si tiene preguntas acerca de la garantía, llame a nuestro Departamento de Servicio al Cliente al 1-888-3KOBALT, de lunes a viernes de 8:00 a.m. a 8:00 p.m., hora estándar del Este.

Impreso en China