



Owner's Manual • Fireplace Glass Firescreen

WARNING!

Never close the Glass Firescreen doors while a fire is burning in the fireplace!

This Glass Firescreen is intended for installation on a *masonry fireplace only*.

Do not use this glass firescreen on a pre-fabricated fireplace.

To determine the type of fireplace:

A. Masonry Fireplace constructed of brick and mortar with a brick chimney.

B. Pre-fabricated (Zero Clearance) Fireplace with a metal firebox and a sheet metal duct chimney.

A Pre-fabricated Fireplace, also called a Zero Clearance Fireplace, will require a different type of glass screen. Keep in mind that while glass firescreens appear interchangeable, *they are not!* If your fireplace is a factory built pre-fab, *Do Not* use this firescreen. Check the make and model number of your pre-fab fireplace and consult your dealer for the appropriate firescreen.

Place firewood grate at least 7" back from the wire screen. Discoloration may occur as a result of a large fire or placing the grate too close to the glass door frame.

NEVER attempt to use your fireplace until you first read and understand the following Safety Rules that will help prevent possible bodily injury or property damage.

SAFETY RULES

1. Always position the firewood grate close to the back wall of the firebox and at least 7" back from the wire mesh curtain or screen. Never build too large a fire, to assure safe use of the fireplace. Always keep all combustible materials at least 3' from the front of the fireplace when in use.
2. Always confirm that the chimney damper is open before starting a fire and during use so that smoke will not exhaust into the room. Always use the damper control knob(s) located at the bottom of the firescreen to adjust the draft and fire intensity.
3. Never put any volatile substance in the fireplace. Always confirm that no volatile liquids such as gasoline, charcoal starter, lighter fluid, lantern fuel, or kerosene are located near the front of the fireplace. Only use kindling or prepackaged fire starter materials to start a fire.
4. **NEVER CLOSE THE GLASS FIREPLACE DOORS WHILE A FIRE IS BURNING IN THE FIREPLACE.** Excessive fireplace temperatures may result which could cause the glass doors to shatter and cause personal injuries or property damage. Tempered glass does not imply unbreakable glass. In the unlikely event of glass failure, it will shatter into small pieces to reduce the risk of personal injury or property damage.
5. Always keep the wire mesh curtain or screen completely closed when the fireplace is in use, except when adding wood. A closed curtain or screen acts as a safety barrier for sparks.
6. Always provide adult supervision for children and pets when the fireplace is in use, and keep them at a safe distance to prevent accidental burns. **To prevent burns, always wear an insulated mitt before touching the damper control knobs, door handles, wire mesh curtain or screen, glass doors, or door frames whenever the fireplace is in use.**
7. Never use the fireplace for incinerating trash, newspapers, or waste materials which may release toxic/noxious fumes.
8. **NEVER LEAVE YOUR FIREPLACE UNATTENDED WHILE IT IS IN USE.**
9. Never allow cold water or other cold substances to come in contact with the fireplace doors before they have cooled completely, as the glass could shatter.
10. Never attempt to dispose of ashes until they have cooled completely, as hot ashes are a potential source of ignition. Always use the fireplace clean-out door (if available) for removing the ashes and always use a metal container for safe disposal.

Warning: Carefully read this entire manual before you begin installing your glass firescreen. Also, please check the chart below to make certain you have purchased the correct glass firescreen for your fireplace opening.

Note: This glass firescreen is designed to surface mount, with an overlap, on the outside of the fireplace opening. This unit will cover a range of sizes. **(See the Chart below.)**

| Size | Overall Dimension Width x Height | Fits Opening | |
|--------|-------------------------------------|--------------|----------------|
| | | Width | Height |
| Small | 37.5" x 30"* | 30" - 37" | 22.5" - 29.5"* |
| Medium | 37.5" x 33"* | 30" - 37" | 25.5" - 32.5"* |
| Large | 43.5" x 33"* | 36" - 43" | 25.5" - 32.5"* |

*Height includes a 2" riser bar (not assembled). See proceeding assembly instructions for details.

Save this manual for future reference.

MODEL NUMBER: SIZE: MODEL NAME: FINISH:

(This information will be found on your sales ticket and/or carton label.)

NEUTRALIZE THE HEARTH:

Newly-built fireplaces often contain a residue of acid used during construction. If allowed to remain in the pores of the brick, this acid will release a gas that rusts iron and crates pitmarks or red spots. If your builder has not neutralized the fireplace, follow these instructions prior to installing your firescreen.

1. Brush a mild solution of household ammonia on all brick, stone, or cement surfaces in your fireplace.
2. Remove all neutralizing solution by rinsing thoroughly with warm water, followed by several cool rinses.

MAINTAINING YOUR FIRESCREEN:

Cleaning the Glass:

Do not clean glass panels when they are hot! Cleaning the glass while it is hot may cause the glass to break. Clean the glass with a mild solution of household ammonia and water. Do not use scouring pads, glass wax, oil based cleaners, or scrapers. If you wish to remove the doors for cleaning, allow panels to cool and follow the instructions for "Removing the Glass Doors".

Cleaning the Metal Frame and Trim:

Do not use solvent, paint thinner, or abrasive cleaners. The metal frame and trim are powder coated to resist tarnishing from the heat. Discoloration may occur as a result of large fires or by having the wood grate to close to the doors. Fingerprints or light marks on the frame are easily removed using rubbing alcohol and a dry, smooth cloth.

ONE YEAR LIMITED WARRANTY

If within one year from the date of original purchase, this item fails due to a defect in material or workmanship, we will replace or repair at our option, free of charge. To order parts or to obtain warranty service, call 1-877-447-4768, Monday - Friday, 8:30 a.m.- 4:30 p.m.CST. This warranty does not cover defects resulting from improper or abnormal use, misuse, accident, or alteration. Failure to follow all instructions in the owner's manual will also void this warranty. GHP Group, Inc. will not be liable for incidental or consequential damages. Some states do not allow the exclusion or limitation of incidental or consequential damages, so the above limitation or exclusion of incidental or consequential damages may not apply to you. This warranty gives you specific legal rights and you may also have other rights which vary from state to state.

GHP Group, Inc. • 7500 St. Louis Avenue • Skokie, Illinois 60076-4034

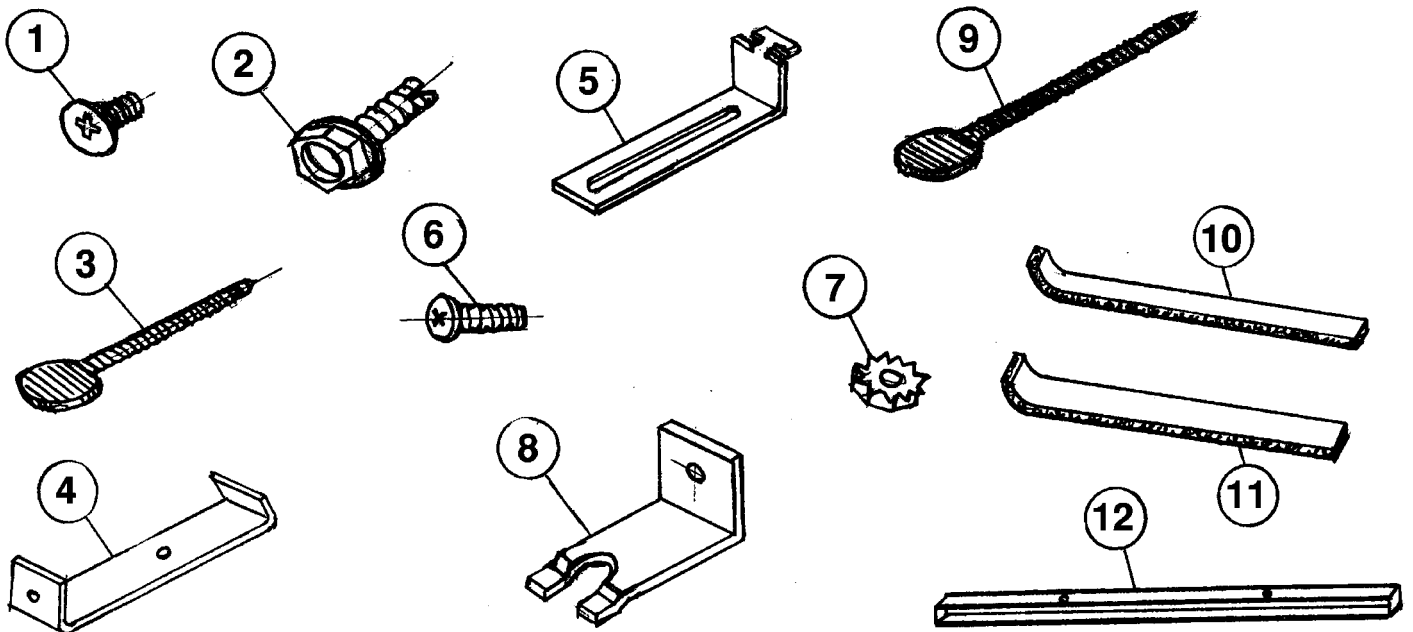
CAUTION:

Remove all contents from the carton and place glass firescreen on a flat, padded surface to avoid damaging the finish. Always lift the firescreen by the sides, not the top frame. Check hardware against the parts list. If any part is missing, contact us at the phone number listed in our warranty. Before installing the firescreen, make sure the fireplace is cool.

TOOLS REQUIRED:

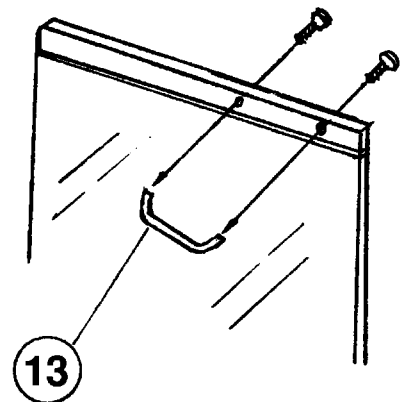
Phillips and flathead screwdrivers, scissors, and measuring tape.

| | PART NO. | DESCRIPTION | QTY. |
|-----------|-----------|--|-------|
| 1. | 10-09-115 | 1/4-20 X 1/4" Machine Screw | 2 |
| 2. | 10-09-116 | 1/4-20 X 1/2" Thread Cutting Screw | 2 |
| 3. | 10-09-117 | 1/4-20 X 2" Thumbscrew (for lintel clamp) | 2 |
| 4. | 10-04-111 | Lintel Clamp | 2 |
| 5. | 10-04-112 | Key Bracket | 2 |
| 6. | 10-09-118 | 8-32 x 5/8" Machine Screw (only for Riser Bar assembly) | 2 |
| 7. | 10-09-119 | 8-32 Hex Nut (only for Riser Bar assembly) | 2 |
| 8. | 10-04-113 | Pressure Bracket | 2 |
| 9. | 10-09-120 | 1/4-20 X 3 1/2" Thumbscrew (for pressure bracket) (2 Pcs.) | 2 |
| 10. & 11. | 10-06-100 | Fiberglass Insulation (3" & 2" wide) | 1 bag |
| 12. | | Riser Bar | 1 |
| 13. | | Handles with Screws | 2 |



1. MOUNT DOOR HANDLES:

Mount door handles to glass doors (left and right hand door assemblies) using the screws provided with the handles.



2. RISER BAR INSTALLATION:

NOTE: The actual frame height (shown on Page 2) includes a 2" riser bar. If your fireplace opening height matches the dimensions noted below, **DO NOT ATTACH THE RISER BAR:**

| SIZE | OPENING HEIGHT |
|--------|-----------------|
| Small | 27 3/4" or less |
| Medium | 30 3/4" or less |
| Large | 30 3/4" or less |

When the riser bar is required, lay the firescreen face down on a flat, padded surface. Attach the riser bar with two (2) 8-32 x 5/8" Machine Screws (#6) and two (2) Hex Nuts (#7) as shown in Figure 1. **Use caution to protect your hands from possible sharp metal edges.** NOTE: The back edges of the riser bar and the back edges of the bottom frame should be flush. In some cases, the riser bar will extend in front of the assembly frame which is correct.

NOTE: If your frame does not require a riser bar, the screws (#6) and nuts (#7) may be discarded.

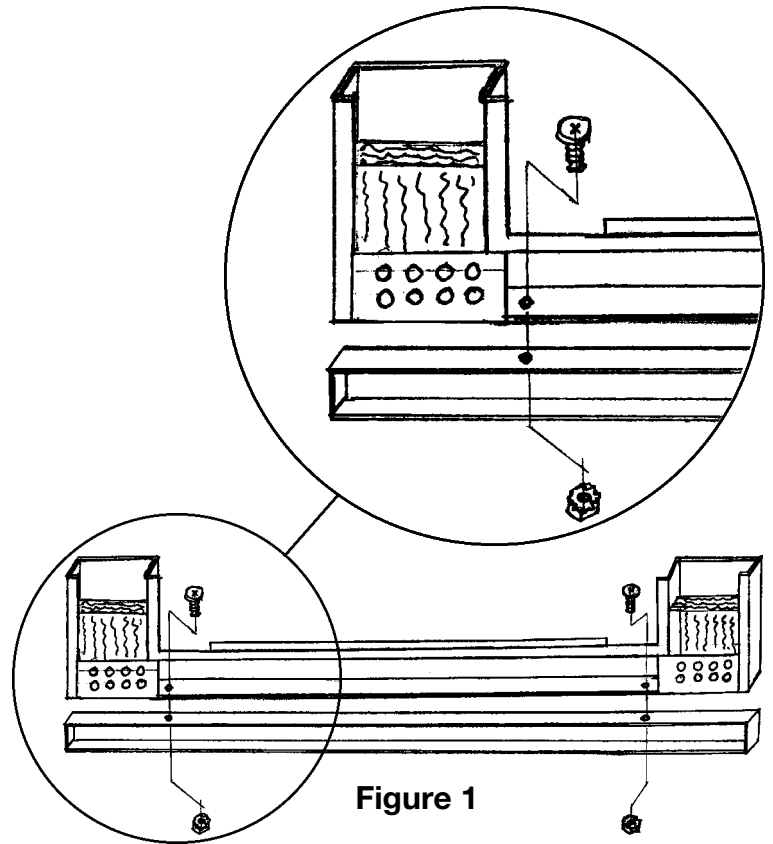


Figure 1

3. FIBERGLASS INSULATION:

NOTE: Fiberglass insulation may irritate your skin. Always wear gloves when handling.

The fiberglass insulation provided is heat resistant. Your particular model may leave some of the insulation exposed to the inside of the fireplace. This is normal and should not be of concern. This fiberglass is designed to protect the metal finish of your frame. Both the 3" and 2" Fiberglass Pieces (#10 & #11) will separate into three strips each by peeling them from one end as shown in Figure 2. Measure all dimensions of your firescreen. Cut insulation to length with scissors and place in back top and back side channels - Figure 3. Use caution to protect your hands from possible sharp metal edges.

NOTE: The insulation does not need to fill the channels to their full depth. Should you prefer additional insulation, you may purchase Owens-Corning UL Listed RA-28 Fiberglass Insulation from your local home improvement center.

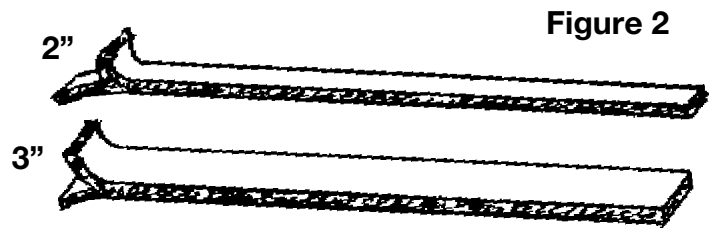


Figure 2

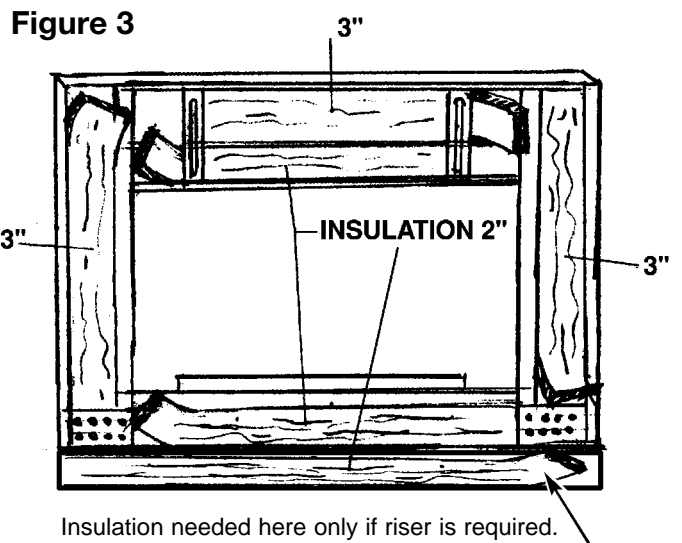


Figure 3

4. INSTALLING THE FIRESCREEN TO THE FIREPLACE OPENING:

The lintel bar is the “L” shaped angle iron that supports the bricks along the top of the fireplace opening. This bar is built into your masonry fireplace when originally constructed. Measure the lintel bar. If the lintel bar is less than 3” or more than 4” wide, refer to the Alternative Mounting Method Instructions (Page 6) and skip steps 1-4 in this section.

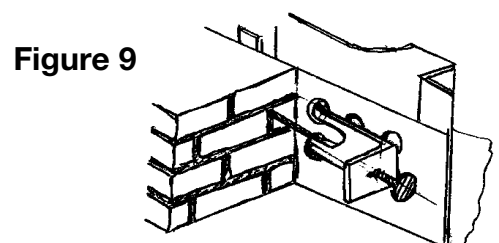
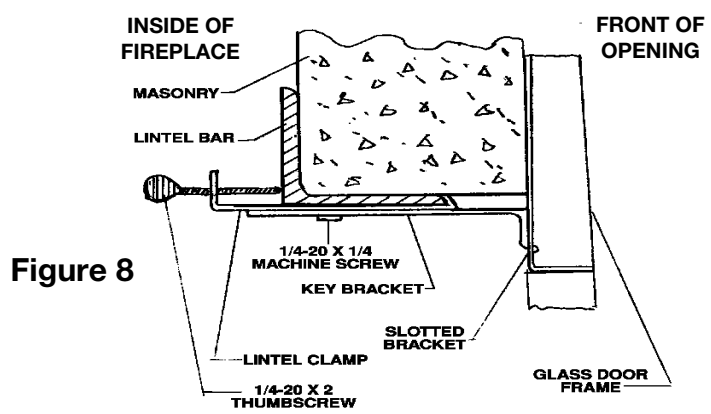
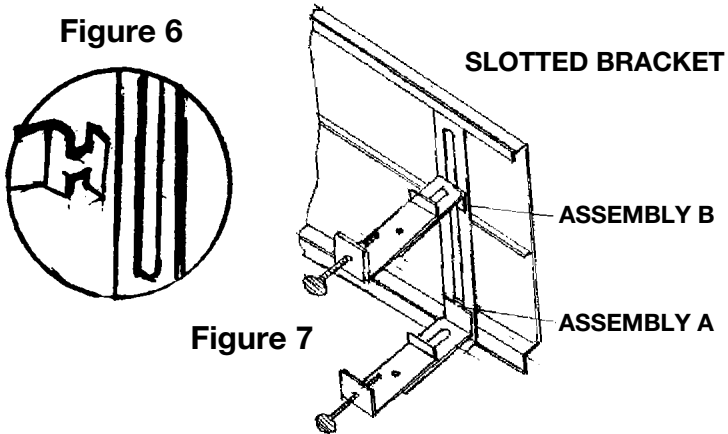
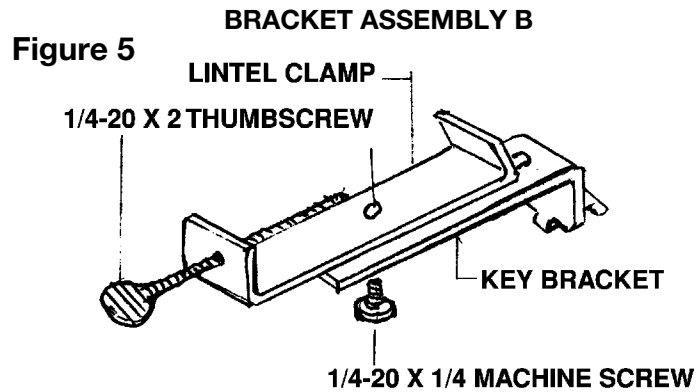
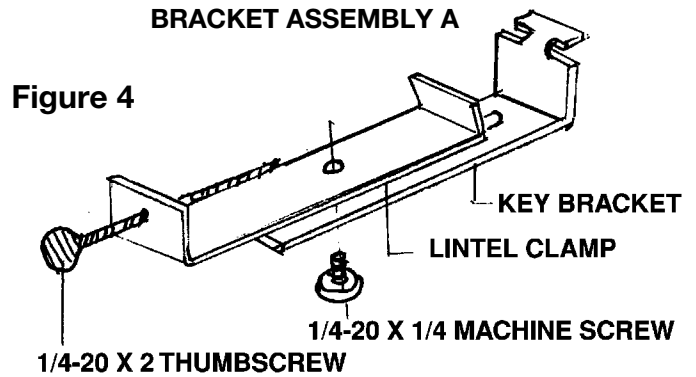
Step 1. While keeping the door panels fully open, place the firescreen against the fireplace. Determine the position of the lintel bar relative to the slotted brackets on the back of the door frame. If the bottom surface of the lintel bar is at the same height as the slotted brackets, follow Bracket Assembly A (Figure 4). If the bottom surface of the lintel bar is above the the center of the slotted brackets, follow Bracket Assembly B (Figure 5).

Step 2. Assemble the Key Bracket (#5) to the lintel clamp (#4) with the 1/4-20 x 1/4” Machine Screw (#1). Do not tighten. Thread 1/4-20 x 2” Thumbscrew (#3) into lintel clamp. Do not tighten.

Step 3. Place the “T” head of the Key Bracket into the slotted bracket on the back of the firescreen as in Figure 6 and turn bracket assembly to horizontal position as shown in Figure 7. Repeat on opposite end.

Step 4. Center firescreen against the fireplace opening. (A second person may be necessary to hold firescreen tightly against the fireplace opening.) Reach inside and slide the Lintel Clamp back or forward until the lip of the Lintel Clamp is firmly against the lintel bar. Tighten the Machine Screw. Making sure the firescreen is against the fireplace, tighten the Thumbscrew until the firescreen is secure on top as shown in Figure 8. Repeat on opposite end.

Step 5. Insert 1/4-20 x 3 1/2” Thumbscrew (#9) into Pressure Bracket (#8). Insert Pressure Bracket into a pair of holes closest to the side of the fireplace opening with the Thumbscrew pointing towards the side wall of the fireplace as in Figure 9. Tighten the Thumbscrew into the wall. Repeat on opposite end.



ALTERNATIVE MOUNTING METHOD (for top of glass door)

TOOLS REQUIRED

Electric drill, 7/32" high speed steel bit, screwdriver, pencil, and safety glasses (not provided.)

Step 1. There are two slotted brackets attached to the back of the glass door frame (at the top). Attach a Key Bracket (#5) to each of the slotted brackets as in Figure 10.

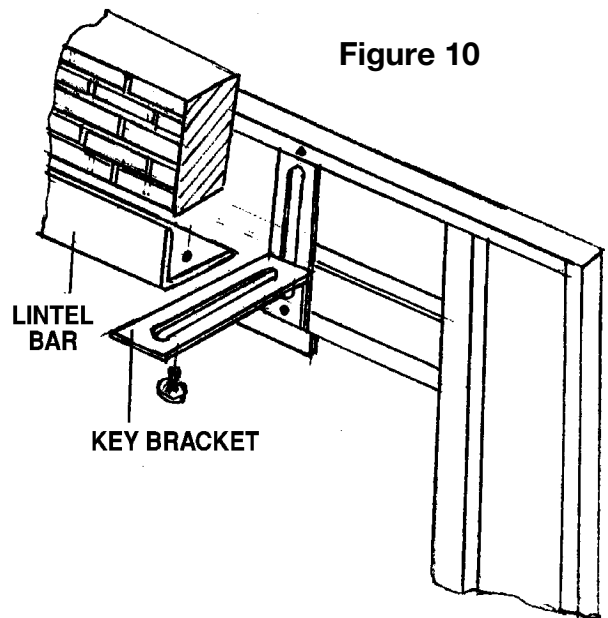
Step 2. Place the glass door against the fireplace opening, center it, and mark the lintel bar through the slots in the Key Brackets (2 places). (A second person may be necessary to hold firescreen tightly against the fireplace opening.)

Step 3. Remove the glass door and drill a 7/32" hole at each location marked. (Wear your safety glasses while drilling.)

Step 4. Place the glass door against the fireplace opening and align the holes with the slot in each Key Bracket.

Step 5. Use 1/4-20 x 1/2" Thread Cutting Screws (#2) to attach both Key Brackets to the lintel bar.

Step 6. To secure the bottom of the glass door, see **Installing the Firescreen to Fireplace Opening, Step 5**, on previous page.



ADJUSTING THE DOOR PANELS:

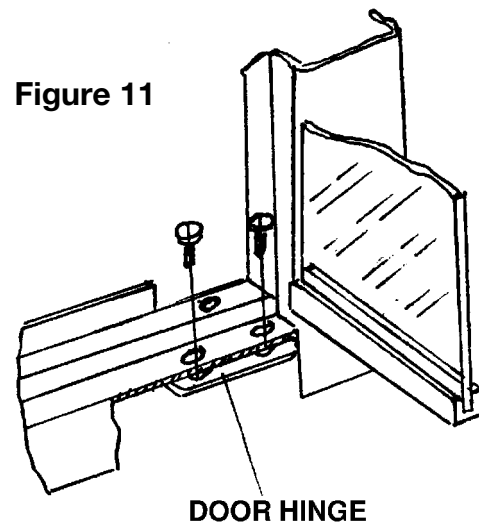
There are four door panel hinges (two in the top track and two in the bottom track). The door panel hinges are designed to be adjusted. If the door panels are not evenly aligned or if there is too much space between the center of the door panels (when they are in a closed position), you may adjust them as follows:

Step 1. Open the door panels.

Step 2. Reach inside and loosen the panel hinge screws. **Do not remove the screws.**

Step 3. Slide the door panel hinges left or right until the space between the center of the door panels is even as in Figure 11.

Step 4. Return door panels to their original position. Carefully maintain the door panel hinge position and tighten screws.



REMOVING THE GLASS DOORS:

Step 1. Open the door panels.

Step 2. Remove the door panel hinge screws from the top and bottom hinges as in Figure 11.

Step 3. Remove the door panel(s).

NOTE: In some models, riser bar is provided with two sets of holes (top and bottom). For proper flush fit, use top or bottom set of holes, whichever are suitable to your frame. Remember that proper flush means the back edges of riser bar and back edges of bottom frame assembly are even. In some cases, riser bar will extend in front of frame assembly which is correct.