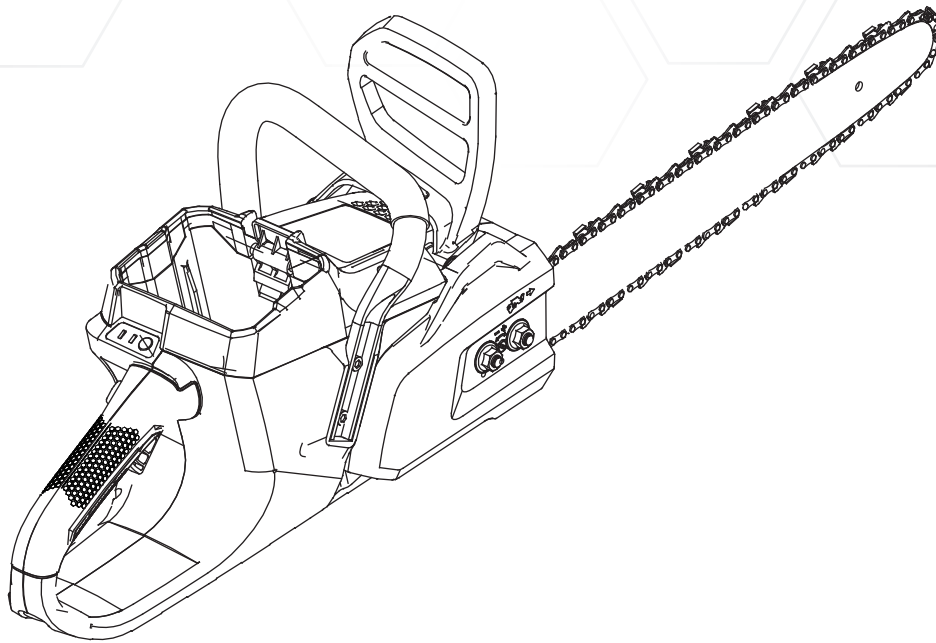




# NEXT GENERATION OF TOUGH TOOLS™



ITEM #0670251

## 80 V LITHIUM-ION CORDLESS 18 IN. CHAIN SAW

MODEL #KCS 180B

Français p. 34

Español p. 69

---

**ATTACH YOUR RECEIPT HERE**

Serial Number \_\_\_\_\_ Purchase Date \_\_\_\_\_



**Questions, problems, missing parts?** Before returning to your retailer, call our customer service department at **1-888-3KOBALT** (1-888-356-2258) 8 a.m. - 8 p.m., EST, Monday - Friday.

## TABLE OF CONTENTS

---

Product Specifications.....	2
Package Contents.....	3
Symbols.....	4
Safety Information.....	5
Preparation.....	9
Operating Instructions.....	12
Care and Maintenance.....	23
Troubleshooting.....	32
Warranty.....	33
Replacement Parts List.....	33

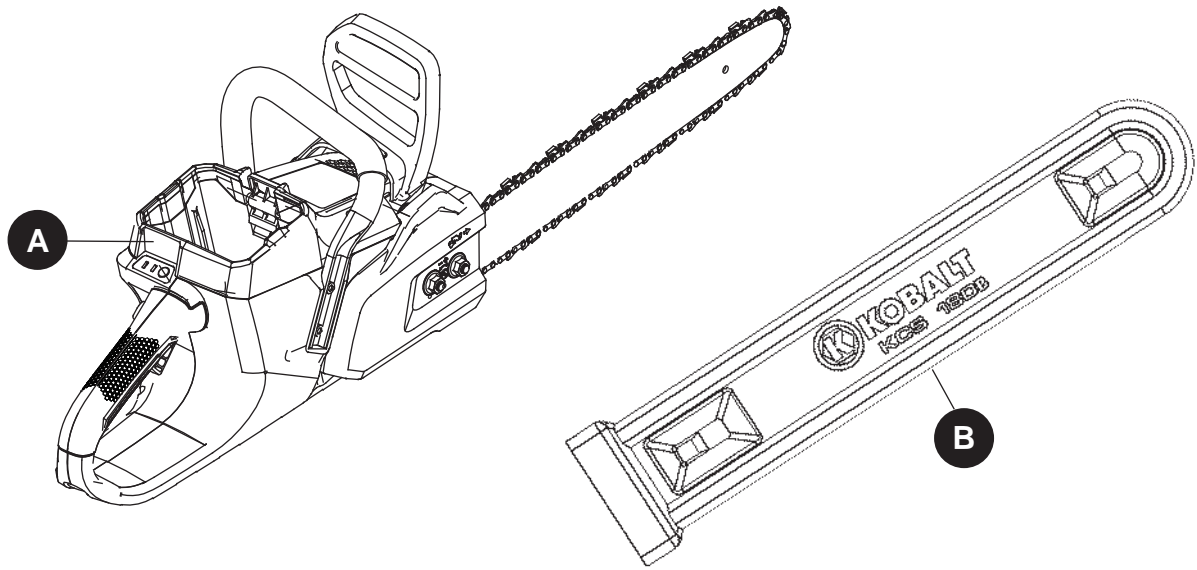
## PRODUCT SPECIFICATIONS

---

SPECIFICATIONS	
Motor	80V DC
Bar length	18 in. (458mm)
Chain pitch	3/8 in. (9,50 mm)
Chain gauge	0.05 in. (1,27 mm)
Chain type	Replacement Part Model: 91P062X, Oregon® Accessory Model: S62
Guide bar type	Model: 180SCEA041, Oregon®
Chain oil tank capacity	6 oz. (177,44 ml)
Unit weight (without battery)	11 lbs. (4,98 kg)

# PACKAGE CONTENTS














---



PART	DESCRIPTION	QUANTITY
A	Chainsaw	1
B	Scabbard	1

## SYMBOLS

Some of the following symbols may be used on this product. Please study them and learn their meaning. Proper interpretation of these symbols will allow you to operate the product better and safer.


SYMBOLS	DESIGNATION	EXPLANATION
V	Volts	Voltage
A	Amperes	Current
Hz	Hertz	Frequency (cycles per second)
W	Watts	Power
hrs	Hours	Time
Wh	Watt Hours	Energy Storage Capacity
Ah	Amp Hours	Current Capacity
$n_0$	No Load Speed	Rational speed, at no load
	Class II Construction	Double-insulated construction
/ min	Per Minute	Revolutions, strokes, surface speed, orbits etc., per minute.
	Lithium-Ion Battery Recycling	Designates that this tool is in compliance with Lithium-Ion battery recycling program requirements.
	Safety Alert Symbol	Precautions that involve your safety.
	Read the Operator's Manual	To reduce the risk of injury, user must read and understand operator's manual before using this product.
	Eye and Hearing Protection	Wear eye protection that is marked to comply with ANSI Z87.1 as well as hearing protection when operating this product
	Gloves	Wear non-slip, heavy-duty protective gloves when handling the chain saw and the blade.
	Safety Footwear	Wear non-slip safety footwear when using this equipment.
	Kickback	Tip contact can cause the guide bar to move suddenly upward and backward, which can cause serious injury.
	Operate With Two Hands	Hold and operate the saw properly with both hands.
	One Handed	Do not operate the saw using only one hand.
	Bar Nose Contact	Contact of the guide bar tip with any object should be avoided.
	Keep Bystanders Away	Keep all bystanders at least 50 ft. (15 m) away.
	Wet conditions Alert	Do not expose to rain.

## SYMBOLS


---

### Save these Instructions

The following signal words and meanings are intended to explain the levels of risk associated with this product.

SYMBOL	SIGNAL	MEANING
	DANGER	Indicates an imminently hazardous situation, which, if not avoided, will result in death or serious injury.
	WARNING	Indicates a potentially hazardous situation, which, if not avoided, could result in death or serious injury.
	CAUTION	Indicates a potentially hazardous situation, which, if not avoided, may result in minor or moderate injury.
	CAUTION	(Without Safety Alert Symbol) Indicates a situation that may result in property damage.

### WARNING

- To avoid serious personal injury, do not attempt to use this product until you have read this Owner's Manual thoroughly and understand it completely. If you do not understand the warnings and instructions in this Owner's Manual, do not use this product. Call 1-888-356-2258 for assistance.
-  The operation of any power tool can result in foreign objects being thrown into your eyes, which can result in severe eye damage. Before beginning power tool operation, always wear safety goggles or safety glasses with side shields and, when needed, a full face shield. We recommend a wide vision safety mask for use over eyeglasses or standard safety glasses with side shields. Always use eye protection which is marked to comply with ANSI Z87.1.

## SAFETY INFORMATION

---

### IMPORTANT

Read and understand all instructions. Failure to follow all instructions listed below may result in electric shock, fire, and/or serious personal injury.

### WARNING

When using a cordless chain saw, basic safety precaution should be always followed to reduce the risk of fire, electric shock, and injury to persons, including the following:

- Do not start cutting until you have a clear work area, secure footing, and a planned retreat path from a falling tree. Cluttered areas invite accidents.
- Keep all children, bystanders, and animals out of the work area while starting or cutting with the chain saw.
- Do not operate chain saw in explosive atmospheres, such as in the presence of flammable liquids, gases, or dust. Power tools create sparks which may ignite the dust or fumes.
- Wear snug fitting clothing. Always wear heavy, long pants, overalls, jeans or chaps made of cut resistant material or ones that contain cut resistant inserts. Wear non-slip safety footwear. Wear non-slip heavy duty gloves to improve your grip and to protect your hands. Do not wear jewelry, short pants, sandals, or go barefoot. Do not wear loose fitting clothing, which could be drawn into the motor or catch the chain or underbrush. Secure hair so it is above shoulder level.

## SAFETY INFORMATION

---

- During weather that is hot and humid, heavy work should be scheduled for early morning or late afternoon hours when temperatures are cooler.
- Wear eye protection which is marked to comply with ANSI Z87.1 as well as hearing and head protection when operating this equipment.
- Always be aware of what you are doing when using the chain saw. Use common sense. Do not operate the chain saw when you are tired, ill, or under the influence of alcohol, drugs, or medication.
- Do not expose the chain saw to rain.
- Do not use the chain saw in damp or wet locations.
- Keep all parts of your body away from the saw chain when the unit is running.
- Always carry the chain saw by the front handle with the battery removed and the guide bar and saw chain positioned to the rear.
- Never let anyone use your chain saw who has not received adequate instructions in its proper use.
- Before you start the unit, make sure the saw chain is not contacting any object.
- Stop the chain saw before setting it down.
- To avoid accidental starting, never carry the unit with your finger on the trigger switch.
- Maintain the unit with care. Keep the cutting edge sharp and clean for best performance and to reduce the risk of injury. Follow instructions for lubricating and changing accessories.
- Keep handles dry, clean, and free of oil and grease.
- Use only 80 V Kobalt batteries and chargers.
- Do not dispose of batteries in a fire as the cell may explode. Check with local codes for possible special disposal instruction.
- Do not open or damage the batteries; released electrolyte is corrosive and may cause damage to the eyes or skin, and may be toxic if swallowed.
- Exercise care in handling battery in order not to short the battery with conducting material such as rings, bracelets and keys. The battery or conductor may overheat and cause burns.
- Do not operate a chain saw with one hand. Use a firm grip with thumbs and fingers encircling the chain saw handles. Serious injury to the operator, helpers, bystanders, or any combination of these persons may result from one-handed operation. A chain saw is intended for two handed use.
- Avoid body contact with grounded surfaces such as metal pipes and wire fences. There is an increased risk of electric shock if your body is grounded.
- Do not operate a chain saw that is damaged, improperly adjusted, or not completely and securely assembled. The chain should slow to a stop when the trigger switch is released. If the chain continues to turn after the trigger switch has been released, have the unit serviced by an authorized service center.
- Check for damaged parts. Check for alignment of moving parts, binding of moving parts, breakage of parts, mounting, and any other conditions that may affect its operation. A guard or other part that is damaged should be properly repaired or replaced by an authorized service dealer unless otherwise indicated elsewhere in this manual.
- Always maintain a proper stance.
- Do not use chain saw if switch does not turn it on and off. If switch is defective, have it replaced by an authorized service center.

## SAFETY INFORMATION

---

- Remove the battery when not in use, before servicing, and when making adjustments and changing attachments, such as saw chain and bar.
- Do not cut vines and/or small underbrush.
- Do not operate a chain saw in a tree, on a ladder, or scaffold; this is extremely dangerous.

**Note:** The size of the work area depends on the job being performed as well as the size tree or work piece involved. For example, felling a tree requires a larger work area than making bucking cuts.

- Use extreme caution when cutting small size brush and saplings because the small material may catch the saw chain and be whipped toward you or pull you off balance.
- When cutting a limb that is under tension, be alert for spring back so that you will not be struck when the tension in the wood fibers is released.
- Do not force the chain saw. The job can be performed better and safer at the rate for which it was intended.
- Always use the right product for your application. The chain saw should be used for cutting wood only. Never use the chain saw to cut plastic, masonry or non-wood building materials.
- Store chain saw when not in use. Chain saw should be stored in a dry and high or locked area out of the reach of children.
- Save these instructions. Refer to them frequently and use them to instruct others who may use this tool. If you loan someone this tool, loan them these instructions also.

### **WARNING Proposition 65**

Some dust created by power sanding, sawing, grinding, drilling, and other construction activities contain chemicals known to cause cancer, birth defects or other reproductive harm. Some examples of these chemicals are:

- Lead from lead-based paints,
  - Crystalline silica from bricks and cement and other masonry products, and
  - Arsenic and chromium from chemically-treated lumber.
- Your risk from these exposures varies, depending on how often you do this type of work. To reduce your exposure to these chemicals, work in a well-ventilated area, and work with approved safety equipment, such as those dust masks that are specially designed to filter out microscopic particles.

### **Kickback**

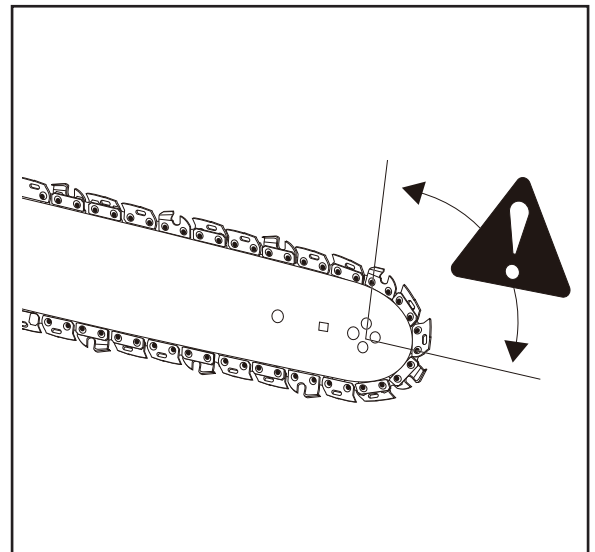
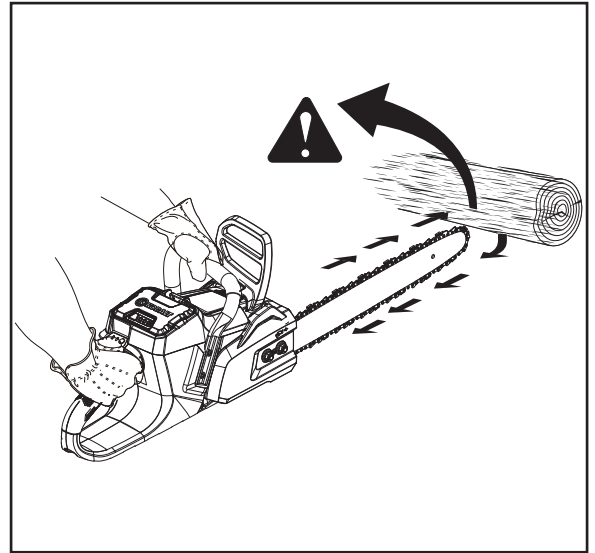
#### **WARNING**

Kickback may occur when the moving chain contacts an object at the upper portion of the tip of the guide bar or when the wood closes in and pinches the saw chain in the cut. Contact at the upper portion of the tip of the guide bar can cause the chain to dig into the object and stop the chain for an instant. The result is a lightning fast reverse reaction which kicks the guide bar up and back toward the operator. If the saw chain is pinched along the top of the guide bar, the guide bar can be driven rapidly back toward the operator. Either of these reactions can cause loss of saw control which can result in serious injury. Do not rely exclusively upon the safety devices built into the saw. As a chain saw user, you should take several steps to keep your cutting jobs free from accident or injury.

## SAFETY INFORMATION

The following precautions should be followed to minimize kickback:

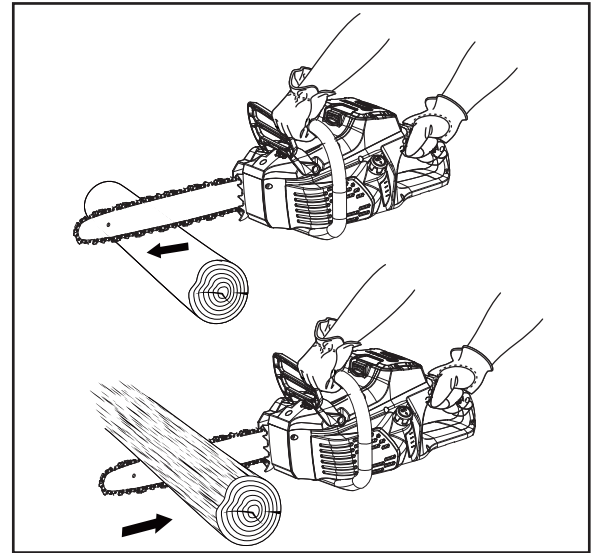
- Always grip the saw firmly with both hands. Place your right hand on the rear handle and your left hand on the front handle with your thumbs and fingers encircling the chain saw handles. A firm grip together with a stiff left arm will help you maintain control of the saw if kickback occurs.
- Make sure that the area in which you are cutting is free from obstructions. Do not let the nose of the guide bar contact a log, branch, fence, or any other obstruction that could be hit while you are operating the saw.
- Always cut with the unit running. Fully squeeze the trigger switch and maintain cutting speed.
- Use only the replacement guide bars and low kickback chains specified by the manufacturer for the saw.
- With a basic understanding of kickback, you can reduce or eliminate the element of surprise. Sudden surprise contributes to accidents.
- Keep proper footing and balance at all times.
- Do not cut above shoulder height or overreach when cutting.
- Follow the sharpening and maintenance instructions for the saw chain.





## SAFETY INFORMATION

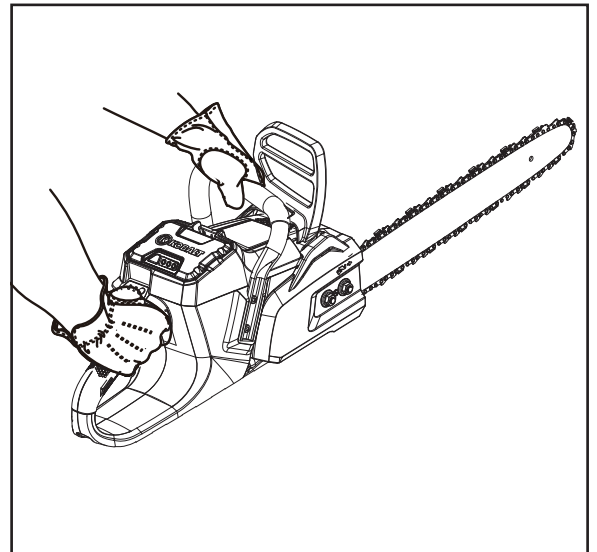
- Push and Pull - This reaction force is always opposite to the direction the chain is moving where wood contact is made. Thus, the operator must be ready to control the PULL when cutting on the bottom edge of the bar, and PUSH when cutting along the top edge.



### Understanding your chain saw safety devices

#### Low kickback saw chain

The rakers (depth gauges) ahead of each cutter can minimize the force of a kickback reaction by preventing the cutters from digging in too deeply at the kickback zone. Only use replacement chain that is equivalent to original chain or has been certified as low kickback chain per ANSI B175.1. Low kickback chain is a chain that has met the kickback performance requirements of ANSI B175.1 - 1991. (American National Standard for Power Tools - Gasoline-Powered Chain Saws-Safety Requirements) when tested on the representative sample of chain saws below 3.8 c.i.d. specified in ANSI B175.1 - 1991. As saw chains are sharpened during their useful life, they lose some of the low kickback qualities and extra caution should be used.



### PREPARATION

Before beginning to operate this product, make sure all parts are present. Compare parts with package contents list. If any part is missing or damaged, do not attempt to operate the product.

## SAFETY INFORMATION

---

### UNPACKING

This product has been shipped completely assembled.

- Carefully remove the product and any accessories from the box. Make sure that all items listed in the package contents section are included.
- Inspect the product carefully to make sure no breakage or damage occurred during shipping.
- Do not discard the packing material until you have carefully inspected and satisfactorily operated the product.
- If any parts are damaged or missing, please call 1-888-3KOBALT (1-888-356-2258) for assistance.

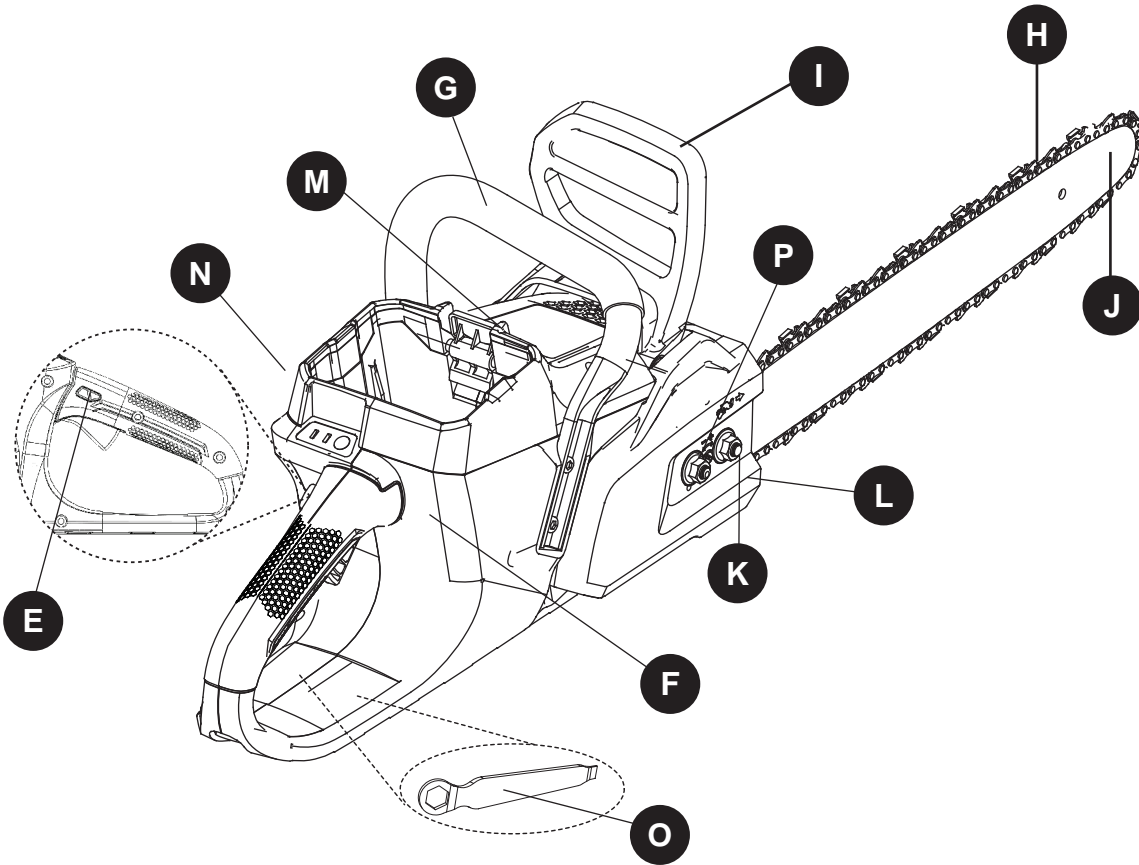
### WARNING

---

- If any parts are damaged or missing, do not operate this product until the parts are replaced. Failure to heed this warning could result in serious personal injury.
- Do not attempt to modify this product or create accessories not recommended for use with this product. Any such alteration or modification is misuse and could result in a hazardous condition leading to possible serious personal injury.

## KNOW YOUR CHAIN SAW

Read this operator's manual and safety rules before operating your chain saw. Compare the illustration below to your chain saw in order to familiarize yourself with the location of various controls and adjustments. Save this manual for future reference.



PART	DESCRIPTION
E	Safety lock
F	Trigger switch
G	Front handle
H	Low kickback chain
I	Guard/Chain brake
J	Guide bar
K	Chain cover lock nuts
L	Chain cover
M	Battery release button
N	Oil cap
O	Wrench (13 mm)
P	Adjustment screw

## OPERATING INSTRUCTIONS

### **!** WARNING

- Do not allow familiarity with this product to make you careless. Remember that a careless fraction of a second is sufficient to inflict serious injury.
- Always wear safety goggles or safety glasses with side shields when operating power tools. Failure to do so could result in objects being thrown into your eyes, resulting in possible serious injury.

### **Adding bar and chain lubricant**

Use a bar and chain lubricant (not included) with this product. It is designed for chains and chain oilers, and is formulated to perform over a wide temperature range with no dilution required.

**Note:** Chain saw comes from the factory with no bar and chain oil added.

The level should also be checked after every 20 minutes of use and refilled as needed.

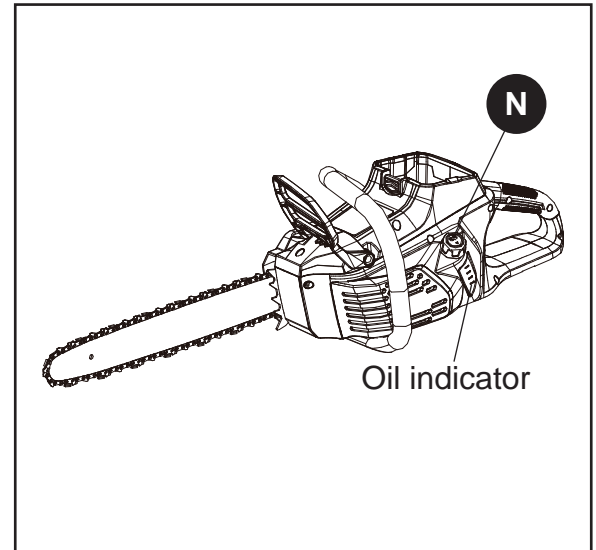
- Remove oil cap (N).
- Carefully pour the bar and chain oil into the tank.
- Wipe off excess oil and replace cap.
- Check and fill the oil tank when quick view oil indicator is below the MIN. line.
- Repeat as needed.

### **Note:**

- Do not use dirty, used or otherwise contaminated oils. Damage may occur to the bar or chain.
- It is normal for oil to seep from the saw when not in use. To prevent seepage, empty the oil tank after each use then run for one minute. When storing the unit for a long period of time (three months or longer) be sure the chain is lightly lubricated; this will prevent rust on the chain and bar sprocket.

### **!** IMPORTANT

To preserve natural resources, please recycle or dispose of oil properly. Consult your local waste authority for information regarding available recycling and/disposal options.



## OPERATING INSTRUCTIONS

### Battery

#### **IMPORTANT**

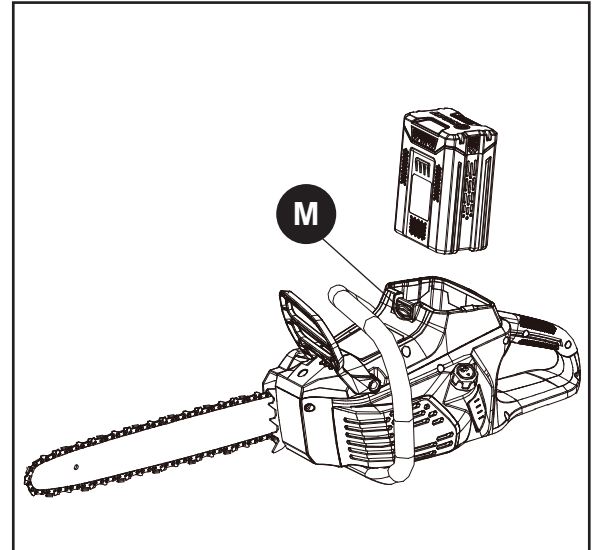
The battery will only be half charged when it is purchased. Before using the chain saw for the first time, place the battery in the charger and fully charge the battery. Be sure to read all safety precautions and follow the instructions in the battery and charger manuals. When storing the chain saw for a prolonged period of time, remove the battery. When the chain saw is going to be used again, fully charge the battery prior to use. The battery has no memory effect.

#### **To install the battery:**

1. Align the battery (not included) with the battery opening.
2. Insert the battery into the battery opening until the battery release button (M) locks into place.
3. Push down on the battery until it locks into place. You should hear a “click” once it is installed.

#### **To remove the battery:**

1. Press the battery release button (M) on the chain saw. This will cause the battery to raise out of the tool slightly.
2. Grasp the chain saw firmly and pull the battery out of the battery opening.



#### **WARNING**

Follow these instructions in order to avoid injury and to reduce the risk of electric shock or fire:

- Replace the battery or the charger immediately if the battery case or charger cord is damaged.
- Verify that the battery is removed before inspecting, adjusting, or performing maintenance on any part of the chain saw.
- Read, understand, and follow the instructions contained in the charger manual.

#### **IMPORTANT**

This Lithium-ion battery is equipped with an internal protection, which will automatically shut off the power to the tool and then reset itself once cooled. Follow these steps if an overload occurs while under heavy use:

1. Release the power switch and restart tool by depressing switch.
2. The battery may need to be removed for approximately 1 minute, allowed to cool and then reinstalled for use.

## OPERATING INSTRUCTIONS

### Starting and stopping the chain saw

#### **! WARNING**

Keep body to the left of the chain line. Never straddle the saw or chain, or lean over past the chain line.

#### **A. To start the chain saw:**

- Ensure the battery is not installed in the tool.
- Make sure chain tension is at desired setting. Refer to adjusting the chain tension in the Care and Maintenance section of this manual.
- Make sure the chain cover lock nuts (K) are tight to the chain cover.
- Make sure no objects or obstructions are in the immediate vicinity which could come in contact with the bar and chain.
- Insert the battery into the chain saw.
- Press the power button to the left of the rear handle. You will hear two audible beeps signaling the chain saw is active.
- Press in the safety lock (E). This makes the trigger switch (F) operational.
- Make sure that the chain brake (I) is not engaged. If it is, pull back on the chain brake (I) to disengage the brake.
- Press and hold the trigger switch (F) and keep it pressed for continued operation.
- Release the safety lock (E) during operation.

#### **B. To stop the chain saw:**

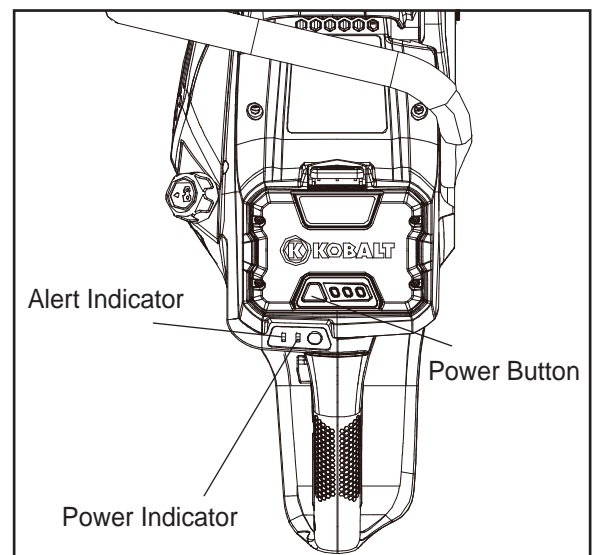
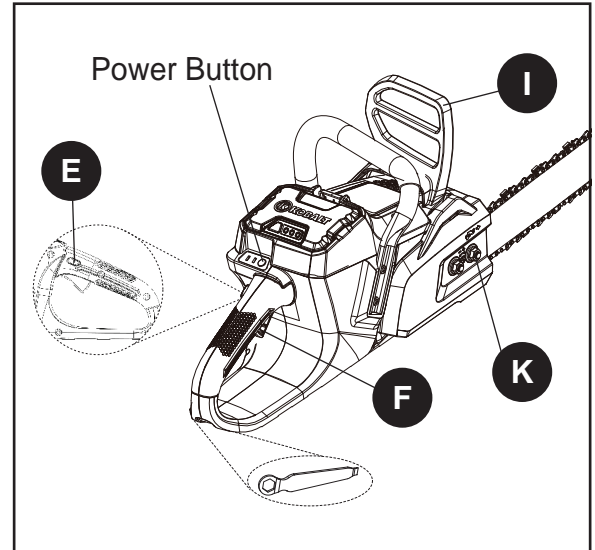
- Release the trigger switch (F).

Upon release of the trigger switch, the safety lock will be automatically reset to the lock position.

**Note:** It is normal for the chain to coast to a stop once the trigger switch is released.

#### **LED Indicator Lights**

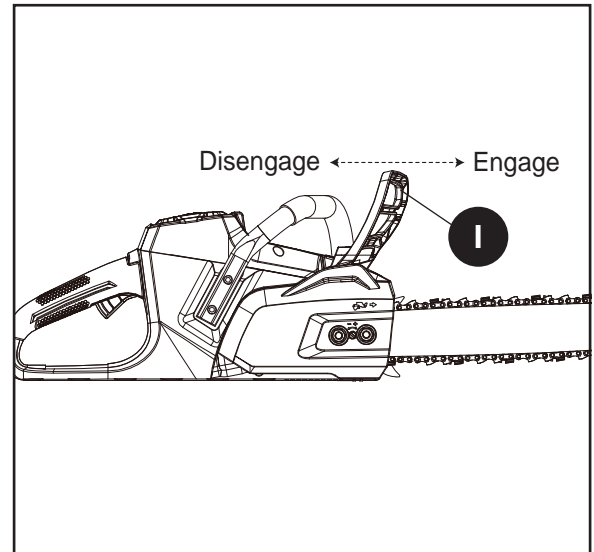
- Power Indicator – LED will illuminate GREEN indicating that the chain saw is active.
- Alert Indicator – LED will illuminate RED indicating an abnormal condition. Refer to the Troubleshooting section on page 32.



## OPERATING INSTRUCTIONS

### Electronic Chain Brake

- This saw is equipped with an electronic chain brake (I).
- The chain brake (I) is activated if kick back occurs during use.
- To disengage the chain brake (I), pull back on the guard.

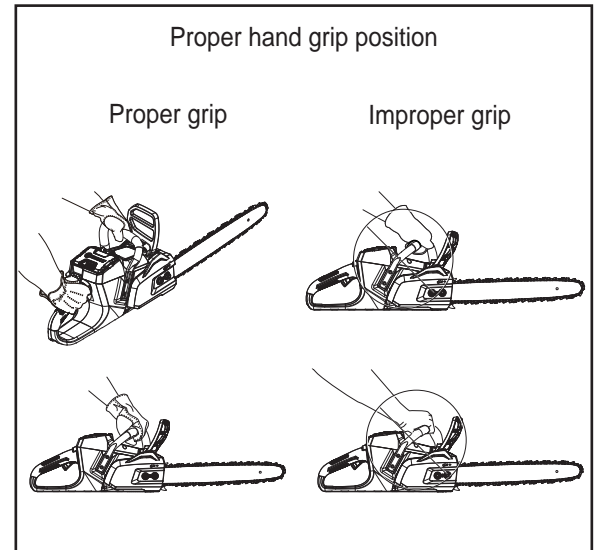


### Preparing for cutting

#### A. Proper grip on handles

See General Safety Rules for appropriate safety equipment.

- Wear non-slip gloves for maximum grip and protection.
- Hold the saw firmly with both hands. Always keep your left hand on the front handle and your right hand on the rear handle so that your body is to the left of the chain line.
- Maintain a proper grip on the saw whenever the motor is running. The fingers should encircle the handle and the thumb is wrapped under the handlebar. This grip is least likely to be broken by a kickback or other sudden reaction of the saw. Any grip in which the thumb and fingers are on the same side of the handle is dangerous because a slight kick of the saw can cause loss of control.



## OPERATING INSTRUCTIONS

### **!** WARNING

- DO NOT operate the trigger switch with your left hand and hold the front handle with your right hand.
- Never allow any part of your body to be in the chain line while operating a saw.
- Never use a left-handed (cross-handed) grip or any stance that would place your body or arm across the chain line.

### Proper cutting stance

- Balance your weight with both feet on solid ground.
- Keep left arm with elbow locked in a “straight arm” position to withstand any kickback force.
- Keep your body to the left of the chain line.
- Keep your thumb on underside of front handle.

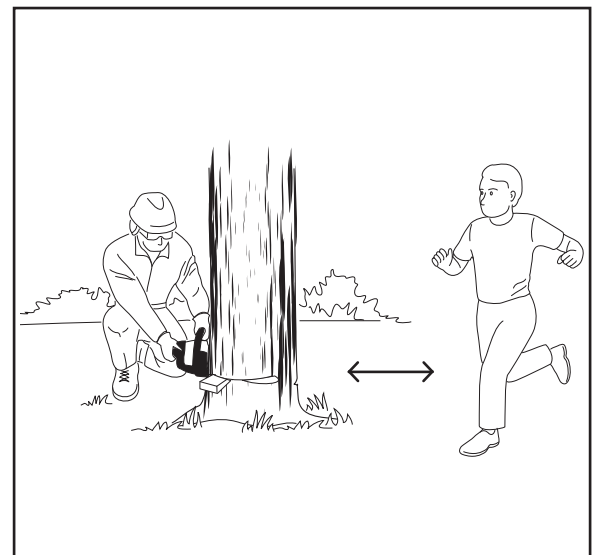
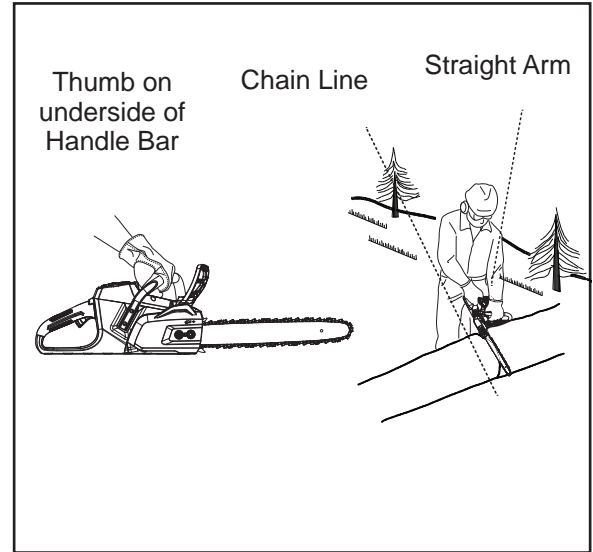
### Basic operating/cutting procedures

Practice cutting a few small logs using the following technique to get the “feel” of using the saw before you begin a major sawing operation.

- Take the proper stance in front of the wood.
- Press the safety lock and squeeze the trigger switch and let the chain accelerate to full speed before entering the cut.
- Release the safety lock during operation.
- Begin cutting with the saw against the log.
- Keep the unit running the entire time you are cutting, maintain a steady speed.
- Allow the chain to cut for you; exert only light downward pressure. Forcing the cut could result in damage to the bar, chain, or motor.
- Release the trigger switch as soon as the cut is completed, allowing the chain to stop. If you run the saw without a cutting load, unnecessary wear can occur to the chain, bar, and unit.
- Do not put pressure on the saw at the end of the cut.

### Work area precautions

- Cut only wood or materials made from wood; no sheet metal, no plastics, no masonry, no nonwood building materials.
- Never allow children to operate the saw. Allow no person to use this chain saw who has not read this operator’s manual or received adequate instructions for the safe and proper use of this chain saw.
- Keep everyone – helpers, bystanders, children, and animals – a SAFE DISTANCE from the cutting area. During felling operations, the safe distance should be at least twice the height of the largest trees in the felling area. During bucking operations, keep a minimum distance of 15 ft. (4.57 m) between workers.
- Always cut with both feet on solid ground to prevent being pulled off balance.
- Do not cut above chest height as a saw held higher is difficult to control against kickback forces.
- Do not fell trees near electrical wires or buildings. Leave this operation for professionals.
- Cut only when visibility and light are adequate for you to see clearly.





## OPERATING INSTRUCTIONS

### Felling trees

#### Hazardous conditions

#### WARNING

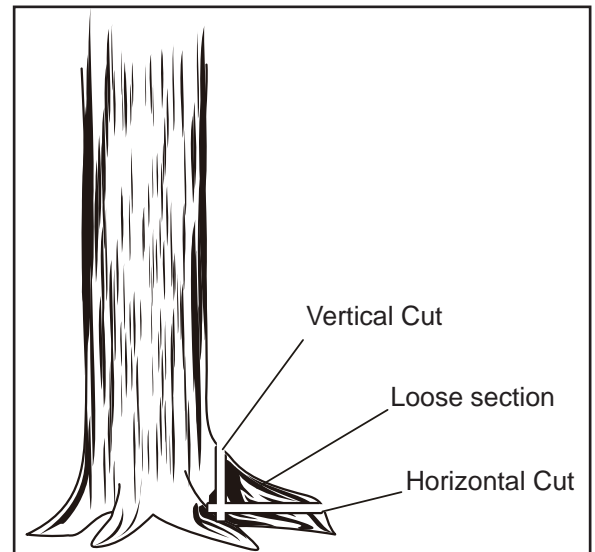
Do not fell trees during periods of high wind or heavy precipitation. Wait until the hazardous weather has ended.

When felling a tree, it is important that you heed the following warnings to prevent possible serious injury.

- Do not cut down trees having an extreme lean or large trees with rotten limbs, loose bark, or hollow trunks. Have these trees pushed or dragged down with heavy equipment, then cut them up.
- Do not cut trees near electrical wires or buildings.
- Check the tree for damaged or dead branches that could fall and hit you during felling.
- Periodically glance at the top of the tree during the backcut to assure the tree is going to fall in the desired direction.
- If the tree starts to fall in the wrong direction, or if the saw gets caught or hung up during the fall, leave the saw and save yourself.

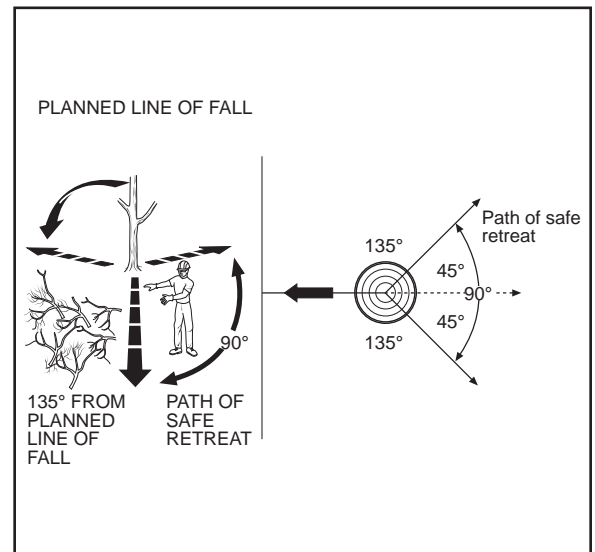
#### Removing buttress roots

A buttress root is a large root extending from the trunk of the tree above the ground. Remove large buttress roots prior to felling. Make the horizontal cut into the buttress first, followed by the vertical cut. Remove the resulting loose section from the work area. Follow the correct tree felling procedure as stated in Proper Procedure For Tree Felling after you have removed the large buttress roots.



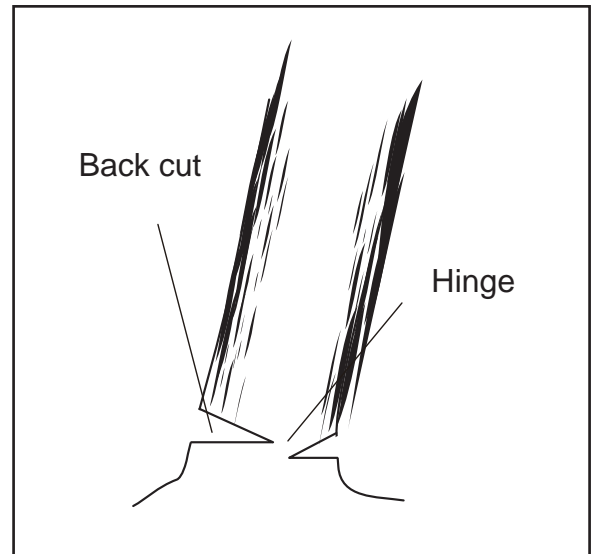
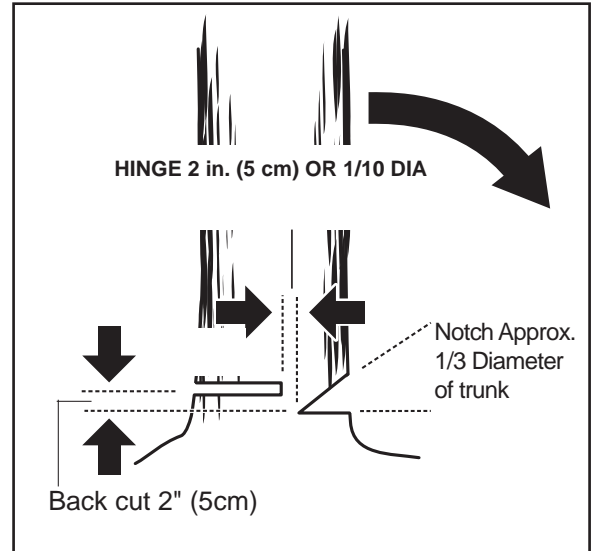
#### Proper procedure for tree felling

- Felling a tree — When bucking and felling operations are being performed by two or more persons at the same time, the felling operation should be separated from the bucking operation by a distance of at least twice the height of the tree being felled. Trees should not be felled in a manner that would endanger any person, strike any utility line or cause any property damage. If the tree does make contact with any utility line, the utility company should be notified immediately.
- Operator should keep on the uphill side of terrain as the tree is likely to roll or slide after it is felled.
- Pick your escape route (or routes in case the intended route is blocked). Clear the immediate area around the tree and make sure there are no obstructions in your planned path of retreat. Clear the path of safe retreat approximately 135° from the planned line of fall.



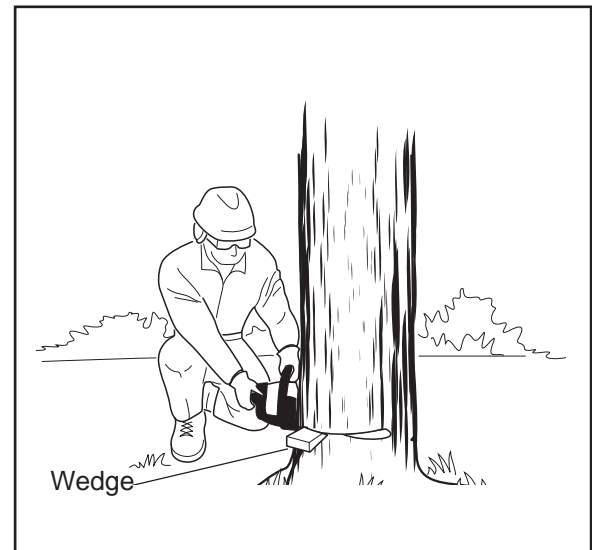
## OPERATING INSTRUCTIONS

- Consider the force and direction of the wind, the lean and balance of the tree, and the location of large limbs. These things influence the direction in which the tree will fall. Do not try to fell a tree along a line different from its natural line of fall.
- Remove dirt, stones, loose bark, nails, staples, and wire from the tree where felling cuts are to be made.
- Notched Undercut. Cut a notch about 1/3 the diameter of the trunk on the side of the tree. Make the notch cuts so they intersect at a right angle to the line of fall. This notch should be cleaned out to leave a straight line. To keep the weight of the wood off the saw, always make the lower cut of the notch before the upper cut.
- Felling Backcut. As the felling cut gets close to the hinge, the tree should begin to fall. If there is any chance the tree may not fall in the desired direction or it may rock back and bind the saw chain, stop cutting before the felling cut is complete and use wedges of wood, plastic or aluminum to open the cut and drop the tree along its desired line of fall. Make the backcut level and horizontal, and at a minimum of 2 in. (5 cm) above the horizontal cut of the notch.



**Note:** Never cut through to the notch. Always leave a band of wood between the notch and back cut (approximately 2 in. (5 cm) or 1/10 the diameter of the tree). This is called "hinge" or "hingewood." It controls the fall of the tree and prevents slipping or twisting or shoot back of the tree off the stump.

- On large diameter trees, stop the back cut before it is deep enough for the tree to either fall or settle back on the stump by inserting soft wooden or plastic wedges into the cut.
- As tree starts to fall, stop the chain saw and put it down immediately. Retreat along the cleared path, but watch the action in case something falls your way.



## OPERATING INSTRUCTIONS

### Bucking

Bucking is the term used for cutting a fallen tree to the desired log length.

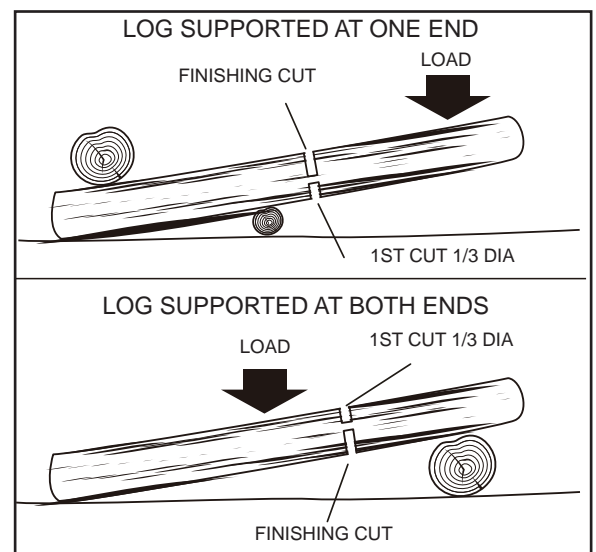
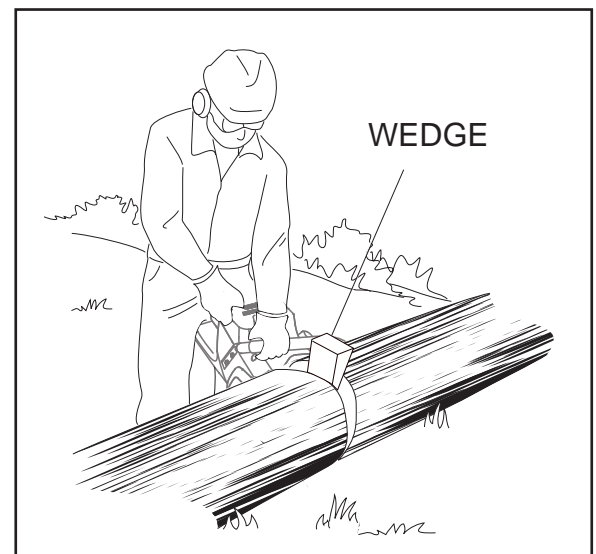
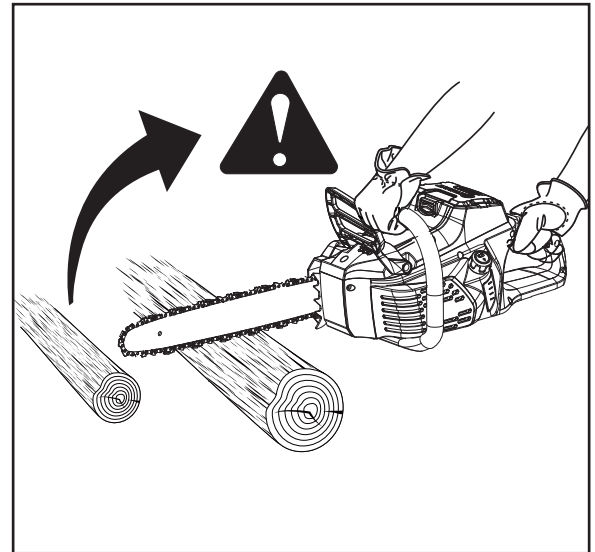
- Always make sure your footing is secure and your weight is distributed evenly on both feet.
- Cut only one log at a time.
- Support small logs on a saw horse or another log while bucking.
- Keep a clear cutting area. Make sure that no objects can contact the guide bar nose and chain during cutting as this can cause kickback. Refer to Kickback earlier in this manual.
- When bucking on a slope, always stand on the uphill side of the log. To maintain complete control of the chain saw when cutting through the log, release the cutting pressure near the end of the cut without relaxing your grip on the chain saw handles. Do not let the chain contact the ground. After completing the cut, wait for the saw chain to stop before you move the chain saw. Always stop the motor before moving from tree to tree.

### Bucking with a wedge

If the wood diameter is large enough for you to insert a soft bucking wedge without touching the chain, you should use the wedge to hold the cut open to prevent pinching.

### Bucking logs under stress

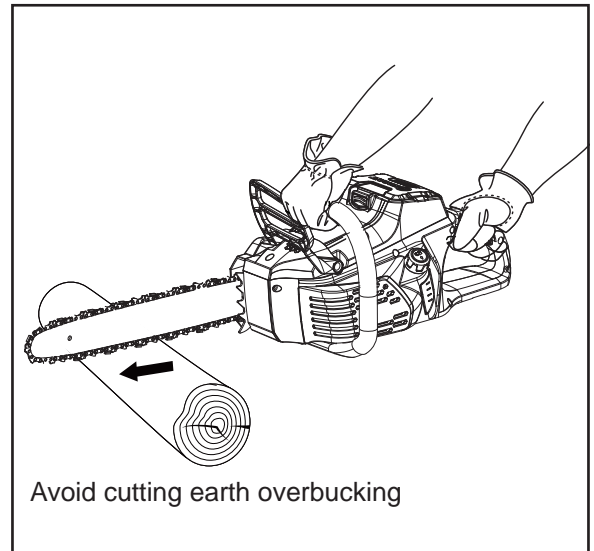
When the log is supported on one end, cut 1/3 the diameter from the underside. Then make the finished cut by overbucking to meet the first cut. When the log is supported on both ends, cut 1/3 of the diameter from the top overback. Then make the finished cut by underbucking the lower 2/3 to meet the first cut.



## OPERATING INSTRUCTIONS

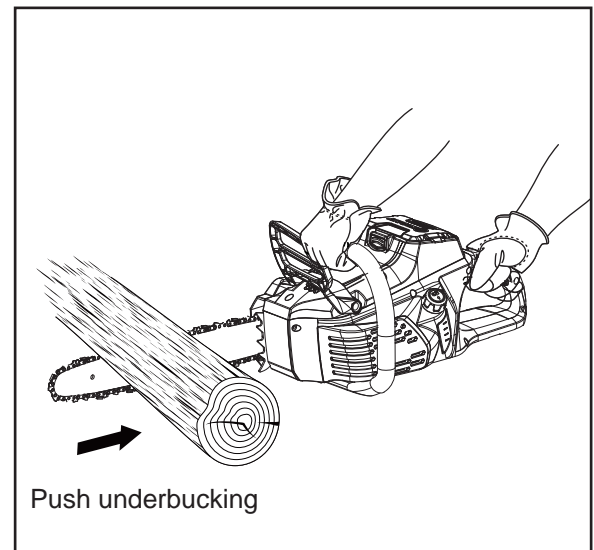
### Overbucking

Begin on the top side of the log with the bottom of the saw against the log; exert light pressure downward. Note that the saw will tend to pull away from you.



### Underbucking

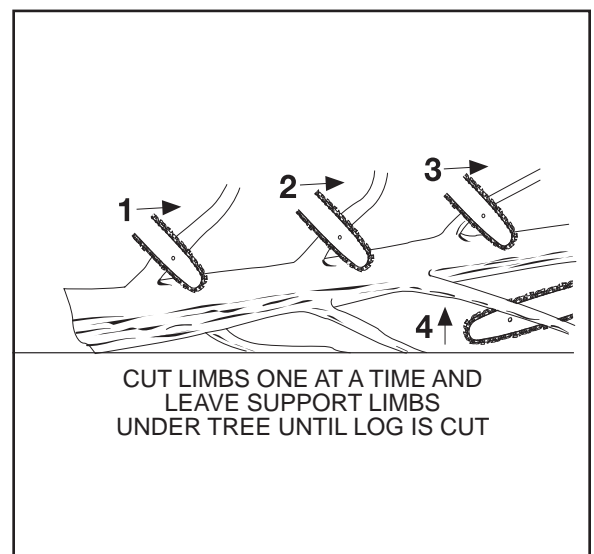
Begin on the under side of the log with the top of the saw against the log; exert light pressure upward. During underbucking, the saw will tend to push back at you. Be prepared for this reaction and hold the saw firmly to maintain control.



### Limbing

Limbing is removing branches from a fallen tree.

- Work slowly, keeping both hands on the chain saw with a firm grip. Always make sure your footing is secure and your weight is distributed evenly on both feet.
- Leave the larger support limbs under the tree to keep the tree off the ground while cutting.
- Limbs should be cut one at a time. Remove the cut limbs from the work area often to help keep the work area clean and safe.
- Branches under tension should be cut from the bottom up to avoid binding the chain saw.
- Keep the tree between you and the chain saw while limbing. Cut from the side of the tree opposite the branch you are cutting.



## OPERATING INSTRUCTIONS

### Pruning

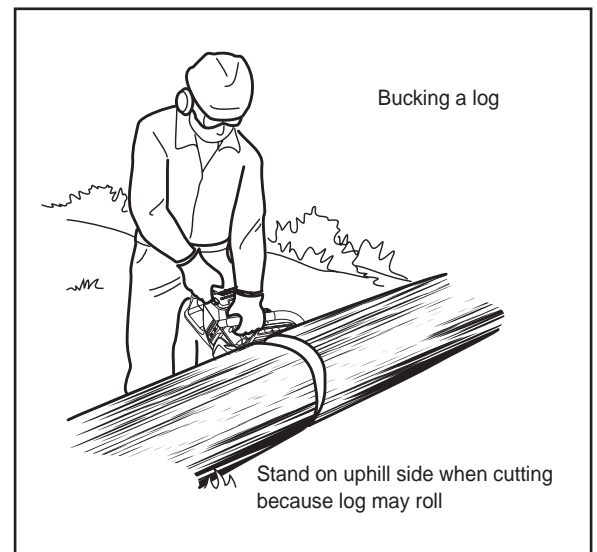
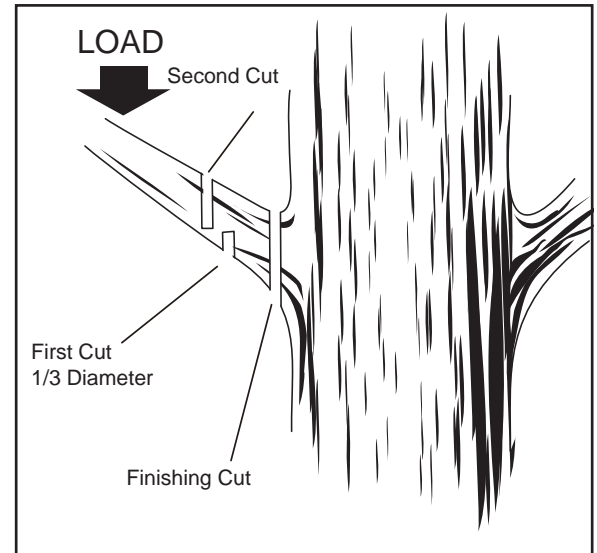
Pruning is trimming limbs from a live tree.

- Work slowly, keeping both hands on the chain saw with a firm grip. Always make sure your footing is secure and your weight is distributed evenly on both feet.
- Do not cut from a ladder. This is extremely dangerous. Leave this operation for professionals.
- Do not cut above chest height as a saw held higher is difficult to control against kickback.
- When pruning trees it is important not to make the finishing cut next to the main limb or trunk until you have cut off the limb further out to reduce the weight. This prevents stripping the bark from the main member.
- Underbuck the branch 1/3 through for your first cut.
- Your second cut should overbuck to drop the branch off.
- Now make your finishing cut smoothly and neatly against the main member so the bark will grow back to seal the wound.

### WARNING

If the limbs to be pruned are above chest height, hire a professional to perform the pruning.

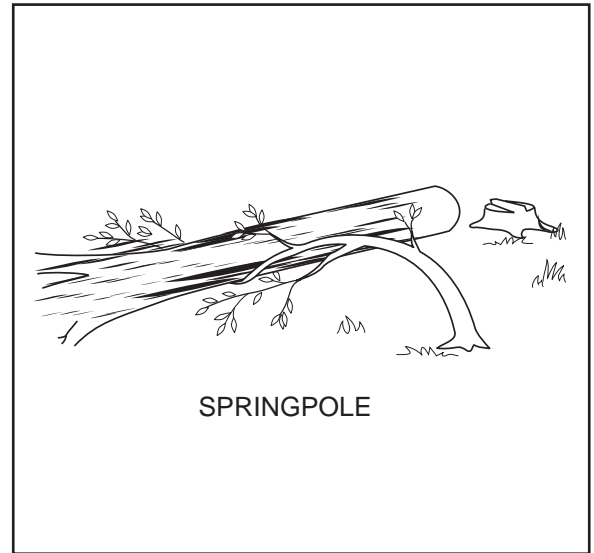
When bucking on a slope always stand on the uphill side of the log. When cutting through to maintain complete control, release the cutting pressure near the end of the cut without relaxing your grip on the chain saw handle. Don't let the chain contact the ground. After completing the cut, wait for the saw chain to stop before you move the chain saw. Always stop the motor before moving from tree to tree.



## OPERATING INSTRUCTIONS

### Cutting springpoles

A springpole is any log, branch, rooted stump, or sapling which is bent under tension by other wood so that it springs back if the wood holding it is cut or removed. On a fallen tree, a rooted stump has a high potential of springing back to the upright position during the bucking cut that separates the log from the stump. Watch out for springpoles — they are dangerous.



### WARNING

Springpoles are dangerous and could strike the operator, causing the operator to lose control of the chain saw. This could result in severe or fatal injury to the operator.

## CARE AND MAINTENANCE

---

### WARNING

- When servicing, use only identical replacement parts. Use of any other parts may create a hazard or cause product damage.
- Always wear safety goggles or safety glasses with side shields during power tool operation or when blowing dust. If the operation is dusty, also wear a dust mask.

### General maintenance

Avoid using solvents when cleaning plastic parts. Most plastics are susceptible to damage from various types of commercial solvents and may be damaged by their use. Use clean cloths to remove dirt, dust, lubricant, grease, etc.

- Do not at any time let brake fluids, gasoline, petroleum-based products, penetrating oils, etc., come in contact with plastic parts. Chemicals can damage, weaken, or destroy plastic, which may result in serious personal injury.

### Lubrication

All of the bearings in this product are lubricated with a sufficient amount of high grade oil for the life of the unit under normal operating conditions. Therefore, no further lubrication is required for the bearings.

### Replacing the guide bar and chain

#### DANGER

Never start the motor before installing the guide bar, chain, chain cover, and chain cover lock knob. Without all these parts in place, the clutch can fly off or explode, exposing the user to possible serious injury.

#### WARNING

- To avoid serious personal injury, read and understand all the safety instructions in this section.
- Before performing any maintenance, make sure the battery is removed. Failure to heed this warning could result in serious personal injury.

#### CAUTION

Always wear gloves when handling the bar and chain; these components are sharp and may contain burrs.

#### WARNING

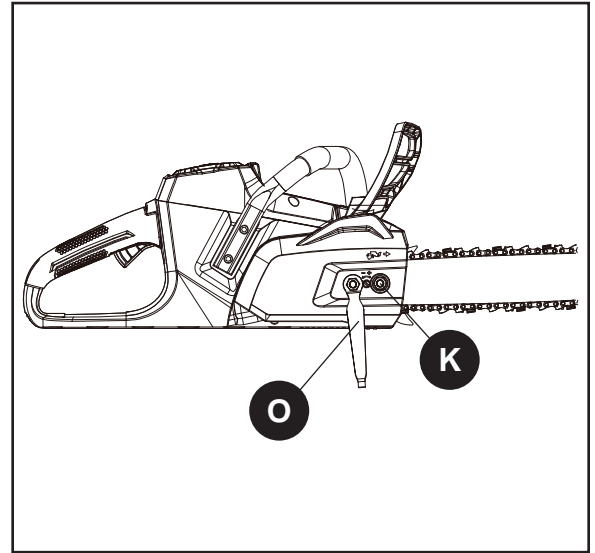
Never touch or adjust the chain while the motor is running. The saw chain is very sharp; always wear protective gloves when performing maintenance to the chain to avoid possible serious lacerations.

**Note:** When replacing the guide bar and chain, always use the specified bar and chain listed in the bar and chain combinations section later in this manual.

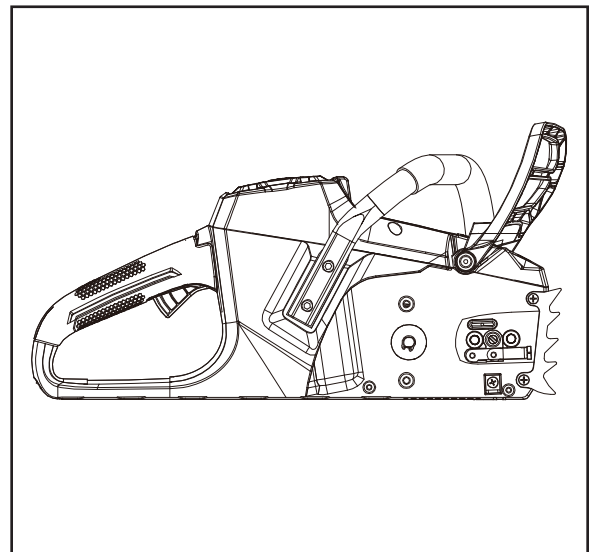
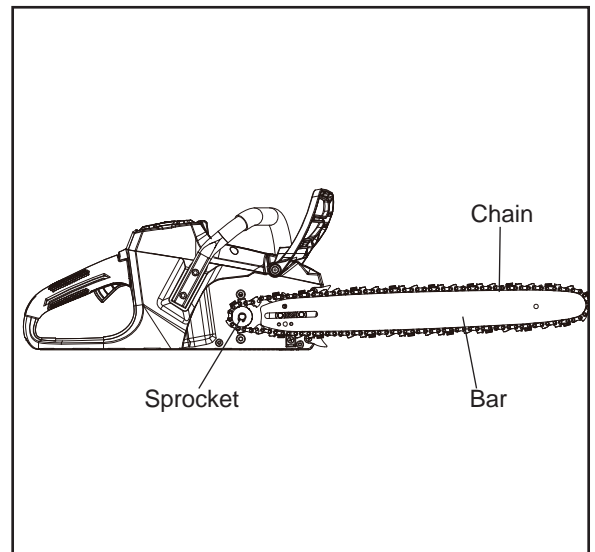
## CARE AND MAINTENANCE

### Replacing the guide bar and chain (contd.)

- Remove the battery from the chain saw.
- Remove the supplied wrench (O) from the rear handle.
- Remove the two chain cover lock nuts (K) from the chain cover by rotating them counterclockwise with the wrench (O).



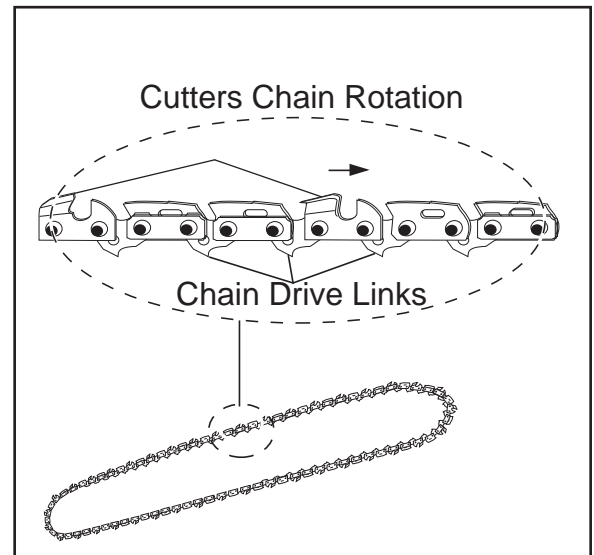
- Remove the chain cover from the mounting surface.
- The bar and chain can now be removed by lifting it away from the main body of the saw and releasing the chain from the sprocket.
- Remove the old chain from the bar.





## CARE AND MAINTENANCE

- Lay out the new saw chain in a loop and straighten any kinks. The cutters should face in the direction of chain rotation. If they face backwards, turn the loop over.
- Place the chain drive links into the bar groove.

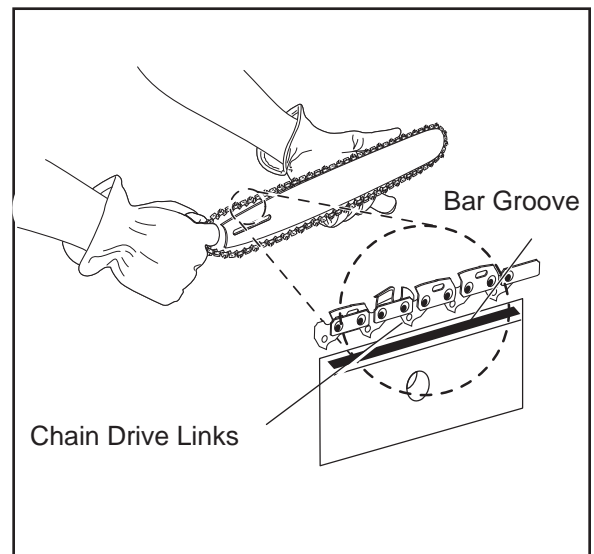


**Note:** Make certain of direction of the chain.

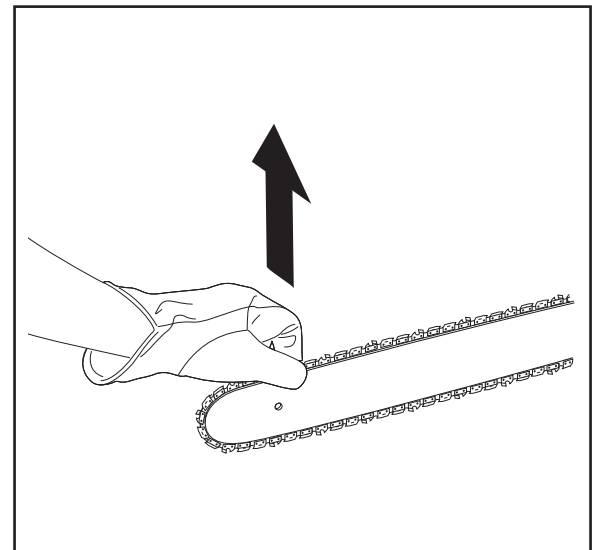
- Position the chain so there is a loop at the back of the bar.
- Hold the chain in position on the bar and place the loop around the sprocket.
- Fit the bar flush against the mounting surface so that the bar studs are in the long slot of the bar. Ensure that the chain is over the sprocket.

**Note:** When placing the bar on the bar studs, ensure that the adjusting pin is in the chain tension pin hole.

- Replace the chain cover.
- Remove all slack from the chain by turning the chain adjustment screw (P) clockwise until the chain seats snugly against the bar with the drive links in the bar groove.

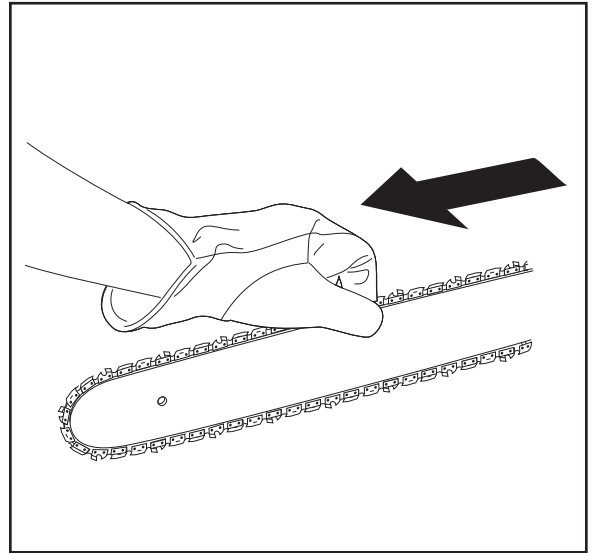


- Lift the tip of the guide bar up to check for sag.
- Release the tip of the guide bar and turn the chain adjustment screw 1/2 turn clockwise. Repeat this process until sag does not exist.
- Hold the tip of the guide bar up and tighten the chain cover lock nuts (K) by turning them with the wrench (O). The chain is correctly tensioned when there is no sag on the underside of the guide bar, the chain is snug, but it can be turned by hand without binding.



## CARE AND MAINTENANCE

**Note:** If the chain is too tight, it will not rotate. Loosen the chain cover lock nuts (K) slightly and turn the chain adjustment screw 1/4 turn counterclockwise. Lift the tip of the guide bar up and retighten the chain cover lock nuts (K). Ensure that the chain will rotate without binding.

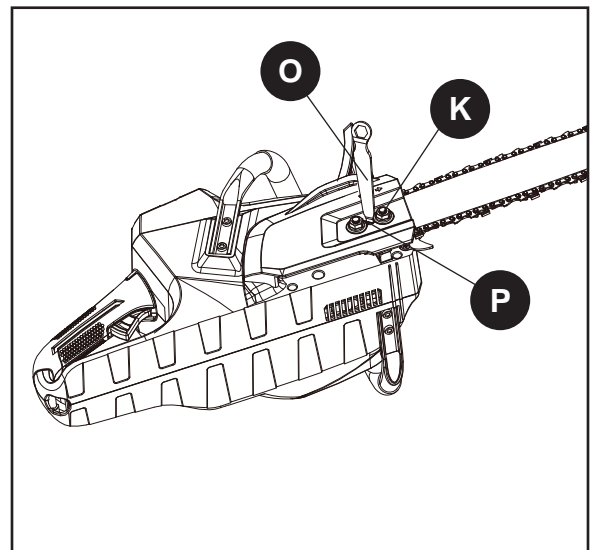
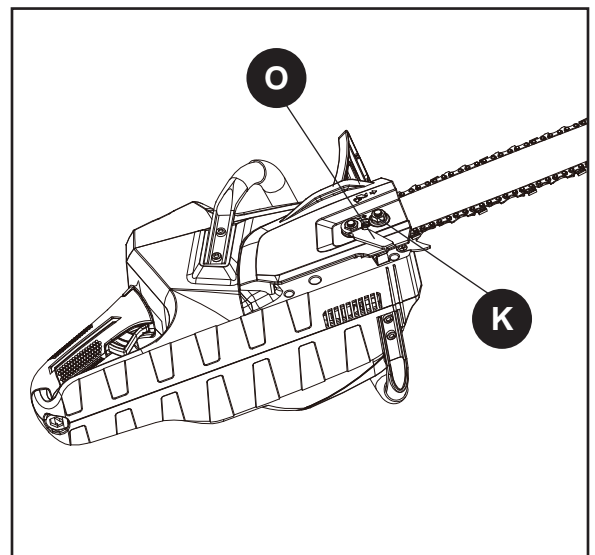


### Adjusting the chain tension

#### WARNING

Never touch or adjust the chain while the motor is running. The saw chain is very sharp. Always wear protective gloves when performing maintenance on the chain.

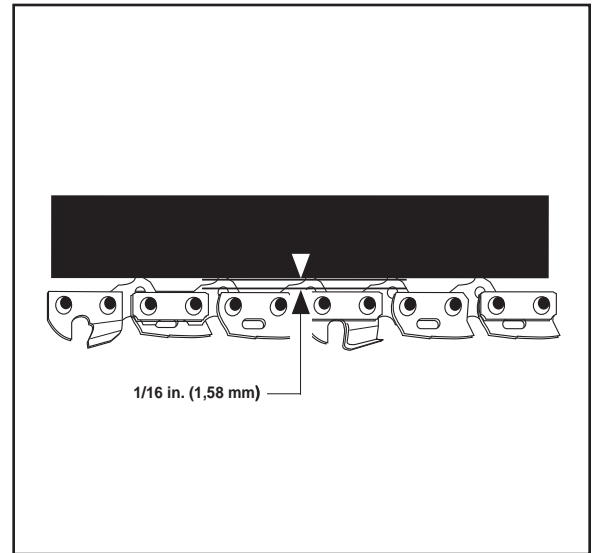
- Loosen the chain cover lock nuts (K) with the supplied wrench (O). The chain cover lock nuts (K) do not have to be completely removed in order to adjust the chain tension.
- Rotate the chain adjustment screw (P) clockwise to increase the chain tension and rotate counterclockwise to decrease the chain tension.
- Once the chain is at the desired tension, tighten the chain cover lock nuts (K).



## CARE AND MAINTENANCE

**Note:** During normal saw operation, the temperature of the chain increases. The drive links of a correctly tensioned warm chain will hang approximately 1/16 in. (1,58 mm) out of the bar groove.

**Note:** New chains tend to stretch; check the chain tension frequently and tension as required.



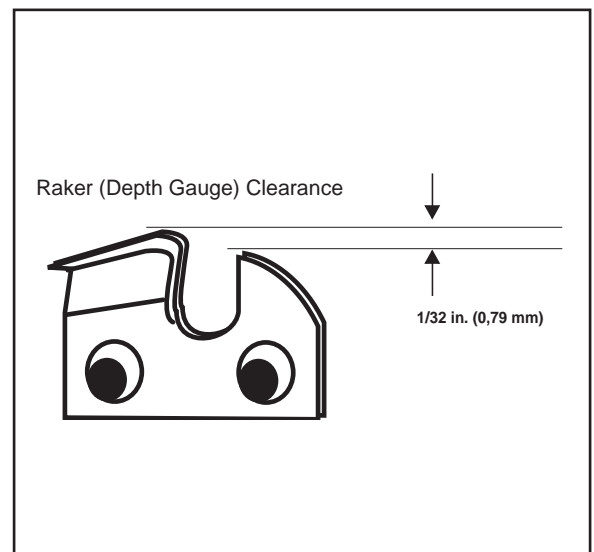
### CAUTION

A chain tensioned while warm may be too tight upon cooling. Check the “cold tension” before next use. Never tension a warm chain before storing as chains shrink when cool. This can damage the chain, bar and saw.

### Chain maintenance

Use only a low-kickback chain on this saw. This fast-cutting chain provides kickback reduction when properly maintained. For smooth and fast cutting, maintain the chain properly. The chain requires sharpening when the wood chips are small and powdery, the chain must be forced through the wood during cutting, or the chain cuts to one side. During maintenance of the chain, consider the following:

- Improper filing angle of the side plate can increase the risk of severe kickback.
- Raker (depth gauge) clearance:
  - Too low— increases the potential for kickback.
  - Not low enough— decreases cutting ability.
- If the cutter teeth hit hard objects such as nails or stones, or are abraded by mud or sand on the wood, have an authorized service center sharpen the chain.



## CARE AND MAINTENANCE

### Note:

- Inspect the drive sprocket for wear or damage when replacing the chain. Have the drive sprocket replaced by an authorized service center if there are any signs of wear or damage.
- If you do not fully understand the correct procedure for sharpening the chain after reading the instructions that follow, have the saw chain sharpened by an authorized service center or replace with a recommended low-kickback chain.

### Sharpening the cutters

Be careful to file all cutters to the specified angles and to the same length, as fast cutting can be obtained only when all cutters are uniform.

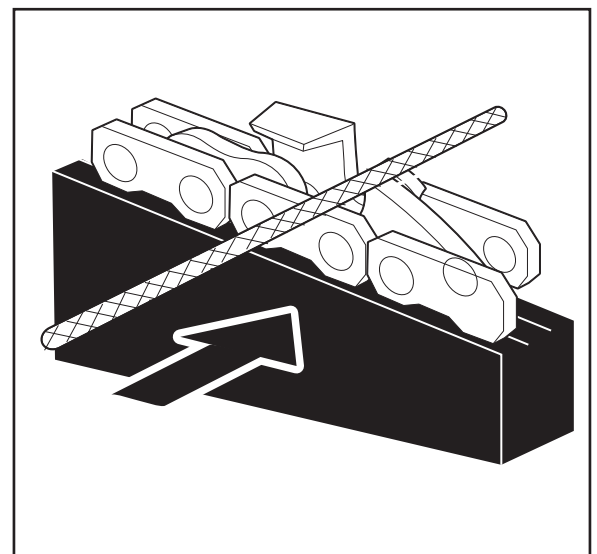
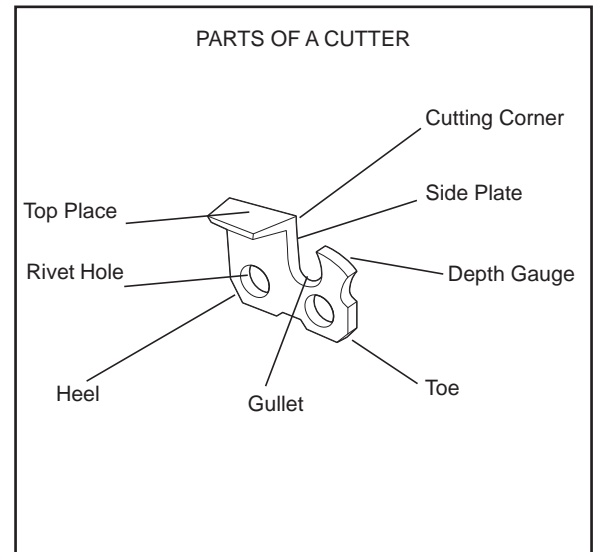
#### CAUTION

Make sure the battery is removed from the chain saw before you work on the saw.

#### WARNING

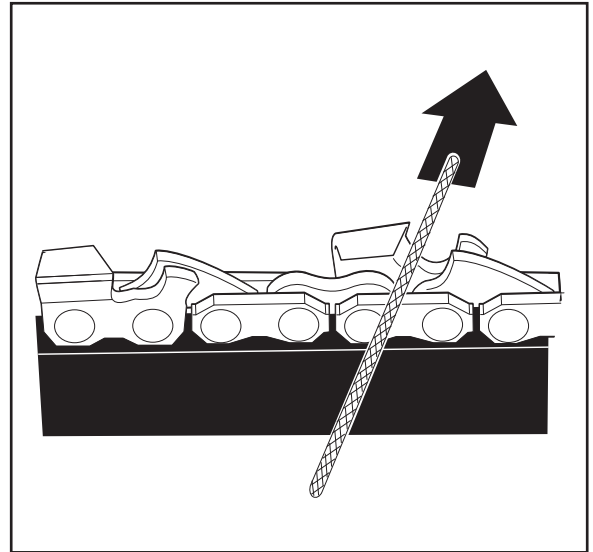
The saw chain is very sharp. Always wear protective gloves when performing maintenance to the chain to prevent serious personal injury.

- Tension the chain prior to sharpening. Refer to the Adjusting the chain tension section on page 26.
- Use a 5/32 in. (4 mm) diameter round file and holder. Do all of your filing at the midpoint of the bar.
- Keep the file level with a top plate of the tooth. Do not let the file dip or rock.
- Using light but firm pressure, stroke towards the front corner of the tooth.



## CARE AND MAINTENANCE

- Lift the file away from the steel on each return stroke.
- Put a few firm strokes on every tooth. File all left hand cutters in one direction. Then move to the other side and file the right hand cutters in the opposite direction.
- Remove filings from the file with a wire brush.

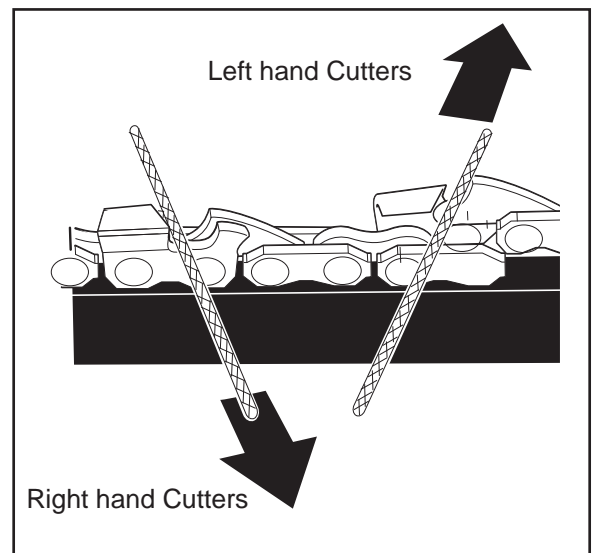


### CAUTION

A dull or improperly sharpened chain can cause excessive motor speed during cutting, which may result in severe motor damage.

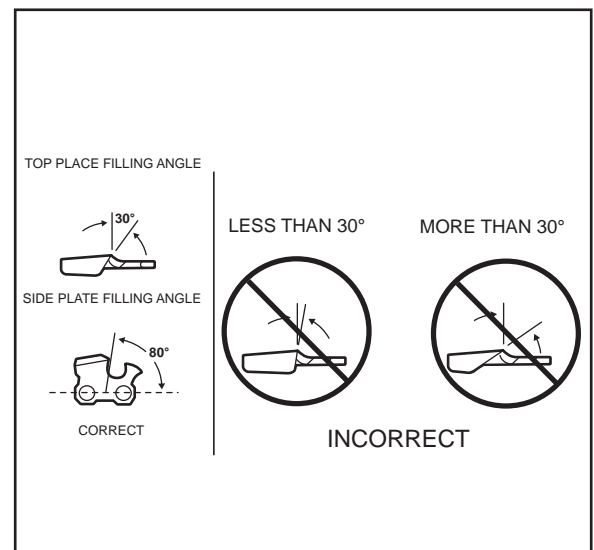
### WARNING

- Improper chain sharpening increases the potential of kickback.
- Failure to replace or repair a damaged chain can cause serious injury.



### Top plate filing angle

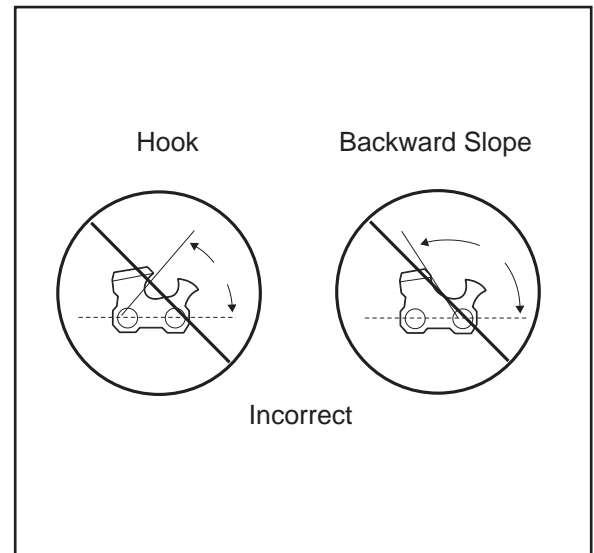
- CORRECT 30° – file holders are marked with guide marks to align file properly to produce correct top plate angle.



## CARE AND MAINTENANCE

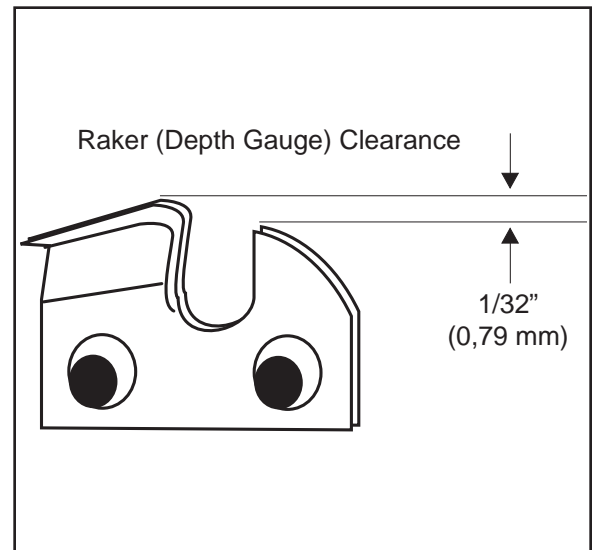
### Side plate angle

- Correct 80° – Produced automatically if you use the correct diameter file in the file holder.
- Hook – “Grabs” and dulls quickly; increases the potential of kickback. Results from using a file with a diameter too small or a file held too low.
- Backward Slope – Needs too much feed pressure; causes excessive wear to the bar and chain. Results from using a file with a diameter too large or file held too high.

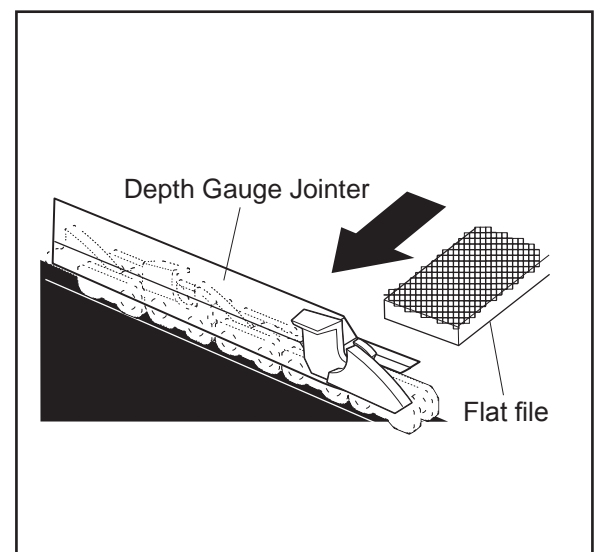


### Side plate angle

- Maintain the depth gauge at a clearance of 1/32 in. (0,79 mm). Use a depth gauge tool for checking the depth gauge clearances.
- Every time the chain is filed, check the depth gauge clearance.

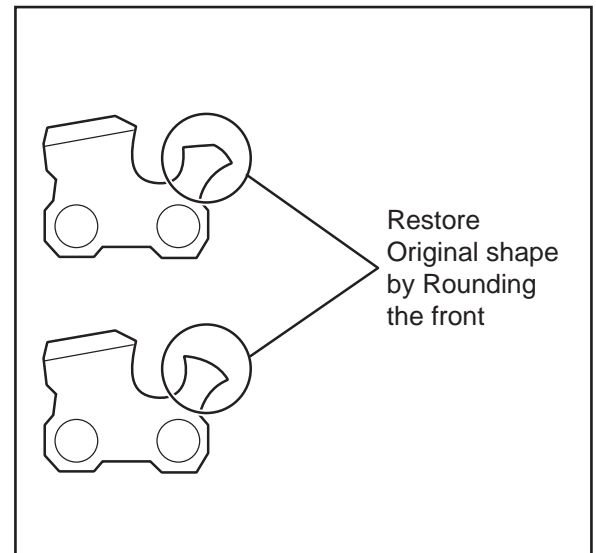


- Use a flat file and a depth gauge jointer to lower all gauges uniformly. Use a 1/32 in. (0,79 mm) depth gauge jointer.



## CARE AND MAINTENANCE

- After lowering each depth gauge, restore original shape by rounding the front. Be careful not to damage adjoining drive links with the edge of the file.
- Depth gauges must be adjusted with the flat file in the same direction the adjoining cutter was filed with the round file.
- Use care not to contact cutter face with flat file when adjusting depth gauges.

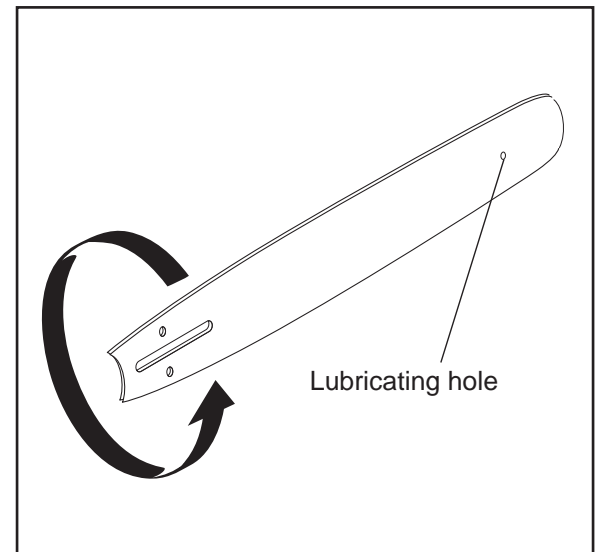


### Maintaining the guide bar

Every week of use, reverse the guide bar on the saw to distribute the wear for maximum bar life. The bar should be cleaned every day of use and checked for wear and damage. Feathering or burring of the bar rails is a normal process of bar wear. Such faults should be smoothed with a file as soon as they occur. A bar with any of the following faults should be replaced:

- Wear inside the bar rails that permits the chain to lay over sideways
- Bent guide bar
- Cracked or broken rails
- Spread rails

Lubricate guide bars after each use with a sprocket at their tip. Using a grease syringe, lubricate weekly in the lubricating hole. Turn the guide bar and check that the lubrication holes and chain groove are free from impurities.



### Transport

When storing or transporting the chainsaw, always place the protective cover over the chain saw blade.

### Storage

- Ensure the battery is removed from the chainsaw.
- Wipe any debris off of the chainsaw, including built up wood chips under the chain cover.
- Store in a dry cool place out of the reach of children.
- Store with the scabbard on to prevent damage to the chain and potential damage to other.

## TROUBLESHOOTING

If you still have questions or an unresolved issue after going through this troubleshooting guide, or just want to speak to a Kobalt product expert, please call our customer service department at 1-888-3KOBALT (1-888-356-2258), 8 a.m. - 8 p.m., EST, Monday – Friday.

PROBLEM	POSSIBLE CAUSE	CORRECTIVE ACTION
Bar and chain running hot and smoking.	<ol style="list-style-type: none"> <li>1. Check chain tension for overtightened condition.</li> <li>2. Chain oil tank empty.</li> </ol>	<ol style="list-style-type: none"> <li>1. Tension chain. Refer to the Adjusting the chain tension section on page 26.</li> <li>2. Check oil tank.</li> </ol>
Motor runs, but chain is not rotating.	<ol style="list-style-type: none"> <li>1. Chain tension too tight.</li> <li>2. Check guide bar and chain assembly.</li> <li>3. Check guide bar and chain for damage.</li> </ol>	<ol style="list-style-type: none"> <li>1. Re-tension chain. Refer to the Adjusting the chain tension section on page 26.</li> <li>2. Refer to the Replacing the guide bar and chain section on page 23.</li> <li>3. If damaged, refer to the Replacing the guide bar and chain section on page 23.</li> </ol>
Motor runs, chain rotates but does not cut.	<ol style="list-style-type: none"> <li>1. Dull chain.</li> <li>2. Chain on backwards.</li> </ol>	<ol style="list-style-type: none"> <li>1. Sharpen chain.</li> <li>2. Reverse direction of chain.</li> </ol>
Chain saw does not run.	<ol style="list-style-type: none"> <li>1. Battery is not charged.</li> <li>2. Battery is not correctly installed in the chain saw.</li> <li>3. Chain brake is engaged.</li> </ol>	<ol style="list-style-type: none"> <li>1. Check the battery charge. If there is no charge, remove the battery and follow the charging procedures in the charger manual.</li> <li>2. Make sure the battery is completely installed in the chain saw. Refer to page 13.</li> <li>3. Pull back on the chain brake to disengage.</li> </ol>
Alert Indicator LED is on.	<ol style="list-style-type: none"> <li>1. Battery requires charging.</li> <li>2. Chain saw is overloaded.</li> </ol>	<ol style="list-style-type: none"> <li>1. Check the battery charge. If there is no charge, remove the battery and follow the charging procedures in the charger manual.</li> <li>2. Overload protection is active. Release trigger to reset the internal circuit breaker in order to continue.</li> </ol>



## WARRANTY

### 5-YEAR HASSLE-FREE WARRANTY

This 80 V Lithium-Ion Cordless 18 in. Chain saw is warranted to the original purchaser from the original purchase date for five (5) years subject to the warranty coverage described herein.

This 80 V Lithium-Ion Cordless 18 in. Chain saw is warranted for the original user to be free from defects in material and workmanship.

If you believe that the 80 V Lithium-Ion Cordless 18 in. Chain saw is defective at any time during the specified warranty period, simply return the 80 V Lithium-Ion Chain saw along with proof of purchase to the place of purchase for a free replacement or refund, or call 1-888-3KOBALT (1-888-356-2258) for warranty service.

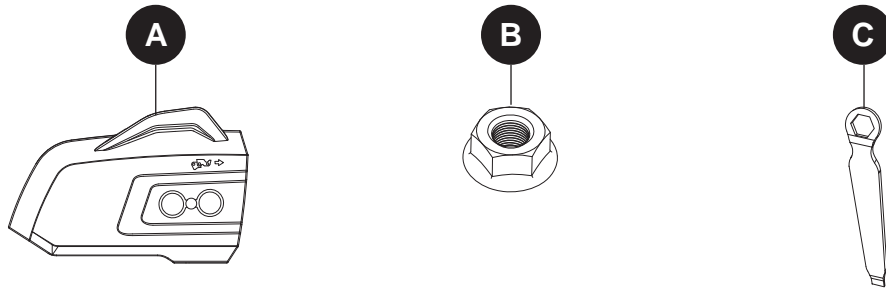
This warranty is void if: defects in materials or workmanship or damages result from repairs or alterations which have been made or attempted by others or the unauthorized use of nonconforming parts; the damage is due to normal wear, damage is due to abuse (including overloading of the tool beyond capacity), improper maintenance, neglect or accident; or the damage is due to the use of the tool after partial failure or use with improper accessories or unauthorized repair or alteration.

This warranty excludes bar and chain.

This warranty gives you specific legal rights, and you may also have other rights that vary from state to state.

## REPLACEMENT PARTS LIST

For replacement parts, call our customer service department at **1-888-3KOBALT** (1-888-356-2258), 8 a.m. - 8 p.m., EST, Monday - Friday.



PART	DESCRIPTION	PART #
A	Side cover	341071075
B	Bar nut	322091063
C	Wrench	333031063

Printed in China  
Kobalt® is a registered trademark of LF, LLC. All Rights Reserved.

kobalttools.com  **KOBALT**