

## LED Solar Sensor Light EM-SL700B

### Introduction.

We congratulate you on the purchase of your LED Solar Sensor Light. You have chosen a high quality product. The instructions for use are part of the product. They contain important information concerning safety, use. Before using the product, please familiarize yourself with all of the safety information and instructions for use. Only use the product as described and for the specified applications. If you pass the product on to anyone else, please ensure that you also pass on all the documentation with it.

The product is intended to illuminate outdoor areas for private use and is not suitable for commercial use or for use in other applications.

### Technical Data

Material: Aluminum + PC+ABS

LED Type: 10\*3030

Battery: 7.4V, 1800mA (included)

Solar Panel 12V 300mA 3.5W, size 150\*200mm

Motion sensor angle: 140°

Detection range: approx. 8-12m

Time setting: approx. 3seconds to 7min (+/-10%)

Lumen: 900LM (+/-10%)

Protection type: IP44 (splash-proof)

### General safety instructions.

1. Children should not be allowed to play with the product. Cleaning and user maintenance should not be performed by children without supervision.
2. Never leave children unsupervised with the packaging material. The packaging material represents a danger of suffocation.
3. Do not use this product if you notice any damage
4. The illuminants are not replaceable. If the illuminants fail at the end of their lives, the entire product must be replaced

### Function

During twilight or darkness, once motion detector detects infrared radiation that is given off by people passing by, the LED light is switched on.


User can turn the rotary control TIME to adjust the duration of the illumination from approx. 3 seconds to 7 minutes (+/-10%).


User can turn the rotary control LUX to adjust the daylight level at which to activate the motion detector.

**Note:** Once the light is activated by the motion detector, any subsequent detection will restart the timed period again from the beginning.

**Note:** The motion detector responds to heat radiation. When outdoor temperatures are low, it is more sensitive to body heat than when outdoor temperatures are warm.

**Note:** If the light is not activating in nighttime, probably it is affected by the street light, house light or

other ambient light, turn the rotary control LUX towards position  to increase the daylight level. If the

light is activating in daytime which is unnecessary, turn the rotary control LUX towards position  to decrease the daylight level.

**Note:** Regularly clean the motion detector to ensure proper functionality (refer to “Cleaning and Care”).

## Installation

When selecting the mounting location, pay attention to the following:

**Note:** The included mounting material is suitable for ordinary solid concrete or masonry construction.



Other wall substrates may require other fastening materials. Seek specialist advice if necessary.

**Note:** You will need an electric drill.

**CAUTION! RISK OF INJURY!** Please read the operating instructions for your drill.

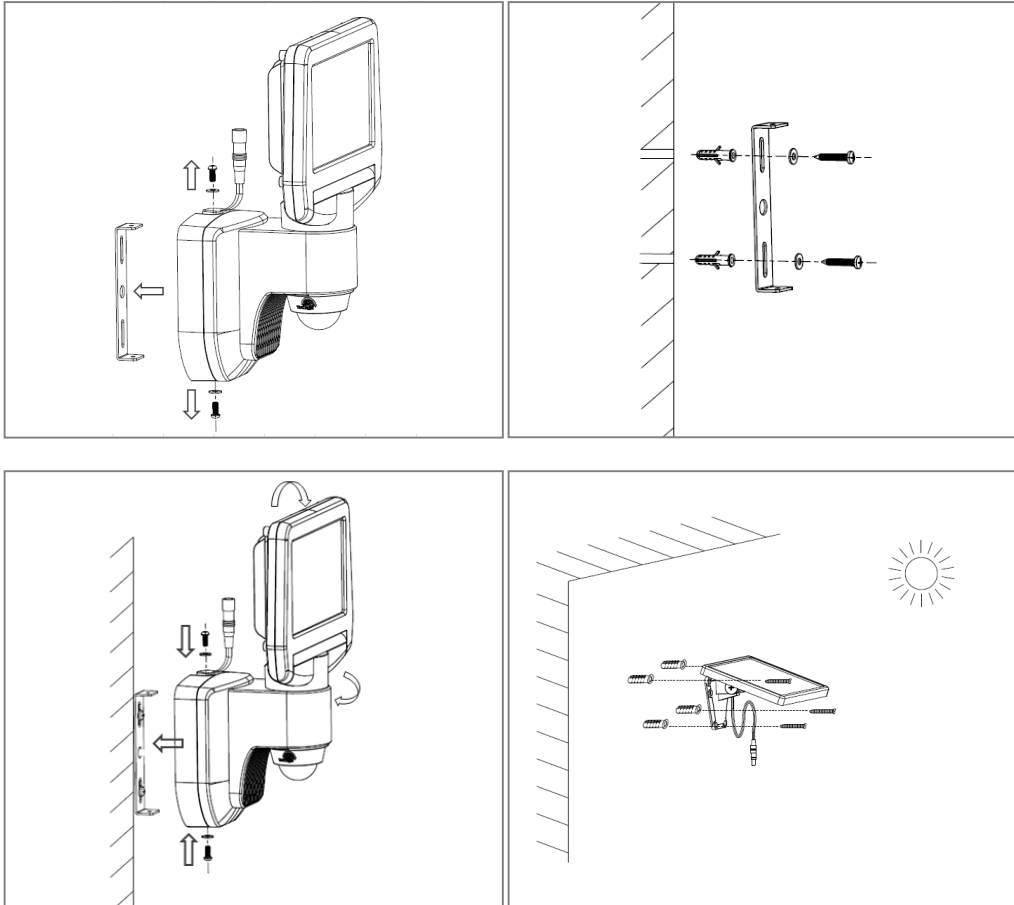
**CAUTION!** Ensure that you do not damage any electricity cables in the wall or ceiling.

### LED light installation

1. To choose the mounting location, make sure the LED light illuminates the desired area, and the product will not be exposed to rain.
2. Depending on the mounting height (roughly at 2 m) the motion detector has a detection range of max. 12m with a detection angle of 140°.
3. Be sure the motion detector is not illuminated by street lighting at night. This can influence the effect.
4. Loosen the two screws on the back of main unit to release the mounting plate.
5. Use the holes on the mounting plate intended for the screws to mark the positions for drilling.
6. Drill two holes on the mounting location, insert wall plugs and fix the mounting plate by screws.
7. Fit the main unit onto the plate by screws.
8. Rotate and adjust the LED light to illuminate the desired area.
9. Turn the rotary control TIME to adjust the duration of the illumination. The lighting duration can be adjusted from approx. 3 seconds to 7 minutes (+/-10%).
10. Turn the rotary control LUX to adjust the daylight level: At the position , the motion detector only reacts at night. In the position , the motion detector also responds at daylight levels.

### Solar panel installation

1. To choose the mounting location, make sure the solar panel has direct and opulent sunshine and the product will not be exposed to rain.
2. Use the holes on the mounting plate of solar panel intended for the screws to mark the positions for drilling.
3. Drill four holes on the mounting location, insert wall plugs and fix the solar panel by screws.
4. Rotate and adjust the solar panel to a position for direct sunlight.
5. Connect the solar panel and LED light by plugs on their cables.
10. After initial installation, the product needs about 2 days for charging under direct and opulent sunlight, then it can normally operate.



### Cleaning and Care

Use a slightly dampened, lint-free cloth and mild cleaning agent to clean.

Regularly check the motion detector for dirt.

Regularly clean the motion detector to ensure proper functionality

### Troubleshooting

Problem	Cause	Solution
The light does not switch on during nighttime	Motion detector is dirty	Clean motion detector
	LUX control is not properly set	Turn LUX control to increase LUX level.
	Batteries are drained	Charge under direct sunlight
The light switches on during daytime	LUX control is not properly set	Turn LUX control to decrease LUX level
The light is dim	Batteries are almost drained	Charge under direct sunlight
The light flickers	Batteries are almost drained	Charge under direct sunlight

### Disposal

The packaging is made entirely of recyclable materials, which you may dispose of at local recycling facilities.

To help protect the environment, please dispose of the product properly when it has reached the end of its useful life and not in the household waste. Information on collection points and their opening hours can be obtained from your local authority.

Batteries may not be disposed of with the usual domestic waste. They may contain toxic heavy metals and are subject to hazardous waste treatment rules and regulations. The chemical symbols for heavy metals are as follows: Cd = cadmium, Hg = mercury, Pb = lead. That is why you should dispose of used batteries at a local collection point.