



INSTALLATION & OPERATION MANUAL

SINGLE INLET EVAPORATIVE COOLERS

Circle the model of your cooler and record the serial number.
Encierre con un círculo el modelo de su enfriador y escribe el número de serie.

ADA51	ADA5112	ADA71	ADA7112
ASA51	ASA5112	ASA71	ASA7112
AUA51	AUA5112	AUA71	AUA7112

Date of Purchase:
 Fecha de compra: _____

Serial Number:
 Número de serie: _____

READ CAREFULLY ALL OF THIS MANUAL BEFORE INSTALLING THE UNIT

TABLE OF CONTENTS

Safety Instructions	1
How Evaporative Coolers Work.....	1
Installation	2
Operation.....	5
Air Balancing Methods	5
Maintenance	6
Specification Tables.....	7
Troubleshooting	7
Limited Warranty	8
Tabla de Contenido En Español	9
Illustrated Parts List / Ilustrado	
Lista de Piezas de Repuesto	
(English / Español)	17
Garantía Limitada.....	24

READ AND SAVE THESE INSTRUCTIONS

SAFETY RULES

1. Read all instructions carefully.
2. Electrical connections should be done by a qualified electrician, so that all electrical wiring will conform to your local codes.
3. Always turn OFF POWER and UNPLUG motor and pump inside the cooler before installing or performing any maintenance.
4. Your cooler will run on either 120V or 240V A.C., single phase, 60 Hz (cycle) current.
5. Motor and pump have a grounded, molded plug and an automatic thermal overload switch which will shut motor off when it overheats. The motor will restart automatically when it cools down.

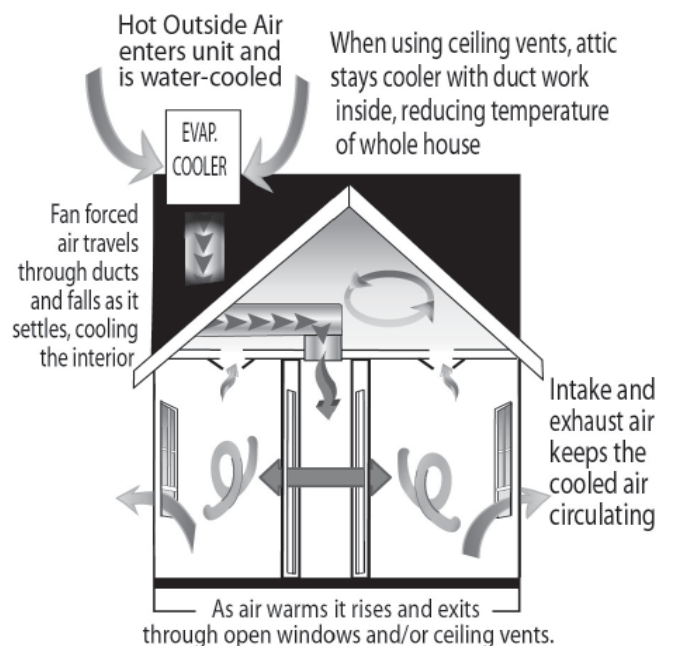
⚠WARNING: To reduce the risk of fire or electric shock, do not use this fan with any "solid-state fan speed control device."

HOW EVAPORATIVE COOLERS WORK

Evaporative cooling is nature's way of cooling. When air is moved over a wet surface, water is evaporated and heat is absorbed. When stepping out of swimming pool with the wind blowing, evaporative cooling makes you feel cool, even though the air may be warm.

This unit works on the same principle. Air is drawn across wet filter pads where the air is cooled by evaporation and then circulated throughout the building. It is this combination of cooled air and the movement of air over the skin which makes it feel cool.

Unlike refrigeration systems which recirculate the air, an evaporative cooler continually brings in fresh air while exhausting old air. You are completely replacing the air every 2 to 4 minutes by opening windows or doors, by using Up-Dux® ceiling vents, or a combination of both. The air is always fresh, not stale, laden with smoke and odors as happens with refrigerated air conditioning.



INSTALLATION

⚠️ CAUTIONS:

Before installing the cooler, note the following items:

- Before installation, ensure your existing electrical system is rated for the additional amperage draw from unit.
- Installation inside attic areas is NOT recommended.
- If installing unit on ground, ensure surface area is level, well packed and will not erode or become unstable with water erosion.
- If installing on brace, or existing construction, ensure structure will hold the operating weight of the cooler. (See specification table for operating weight.)
- Ensure entire unit is sufficiently supported. If supporting the unit with legs at each corner, the middle of the unit where the two sections join must be supported as well.
- We strongly recommend consulting a professional contractor if installation will require cutting through existing structure such as walls or roof.
- Do not screw or drill within 5 inches of the bottom of the wet section as you could puncture the reservoir.
- Ensure all electrical work is accomplished to local standards. An electrician may be needed for correct and safe wiring.

⚠️ WARNING: Disconnect all electrical service that will be used for this unit before beginning the installation and DO NOT reconnect until installation is complete.

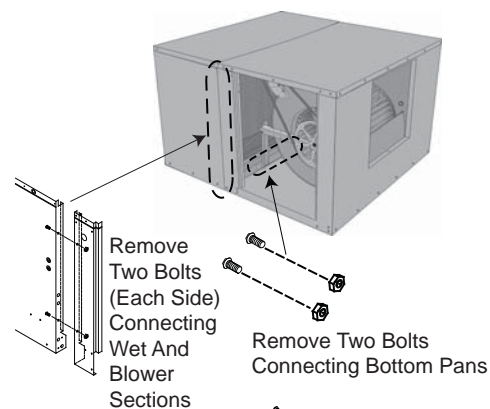
PARTS AND TOOLS NEEDED:

- Motor with Motor Pulley (purchased separately)
- 5/32 Allen Wrench (for pulley installation)
- 7/16 Wrench or Crescent Wrench
- Phillips Screwdriver
- Sill cock or water valve and tubing
- Multimeter (for amp reading)

SEPARATING SECTIONS

Follow the steps below to separate the sections of the unit, if desired for ease of installation.

1. Remove four bolts (two on each side) from the inside center post of the unit connecting the wet section to the blower section.
2. On a few models, two bolts on the interior of the unit attaching the bottom pans of the two sections will need to be removed as well.



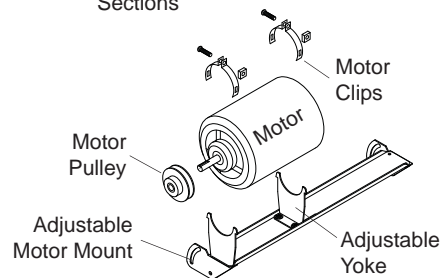
MOTOR INSTALLATION

Note: Motor must be purchased separately. See Motor Specification Table for motors that can be used.

1. For typical 120V installation, install motor cord (provided) to motor (purchased separately). Follow motor electrical diagram using the following color code:

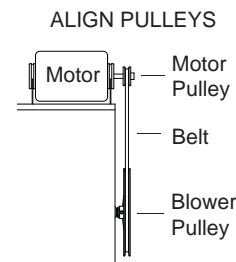
BLACK - HIGH; RED - LOW; WHITE - COMMON; GREEN - GROUND

2. When installing a 1 hp motor, reverse the adjustable yolk to accommodate the larger motor. Adjust the cradle spacing as needed for size of motor. Mount the blower motor onto the yokes of the motor mount. Fasten with provided motor clips.
3. Leave motor cord unplugged until electrical portion of installation is complete.

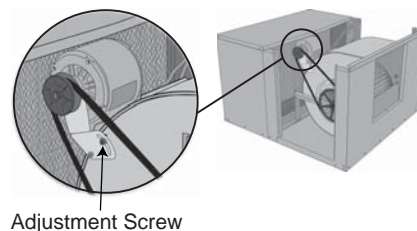


PULLEY INSTALLATION

1. Open adjustable pulley about 5 full turns to the least diameter.
2. Install the motor pulley onto the motor shaft so that it aligns with the blower drive pulley and tighten with Allen wrench.
3. Loosen adjustment screw on motor mount.
4. Install belt onto pulleys.
5. Rotate motor mount until belt is tight, then tighten adjustment screw to secure belt. Check belt tension per instructions on page 5.



Note: Further adjustment to belt and pulley may be required after installation is complete.



ELECTRICAL CONNECTION

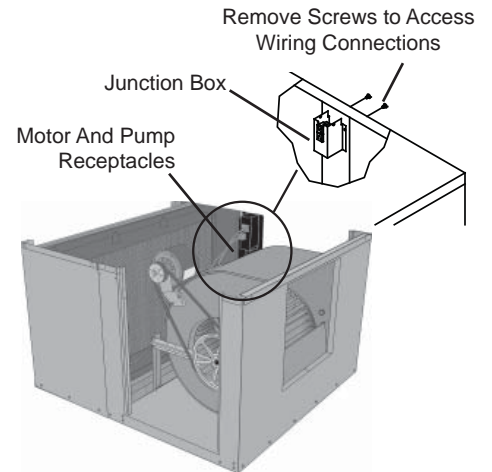
⚠️WARNING: Electrical connections should be accomplished by a qualified electrician to ensure all electrical wiring conforms to local standards.

⚠️WARNING: Follow all safety precautions when working with electrical power.

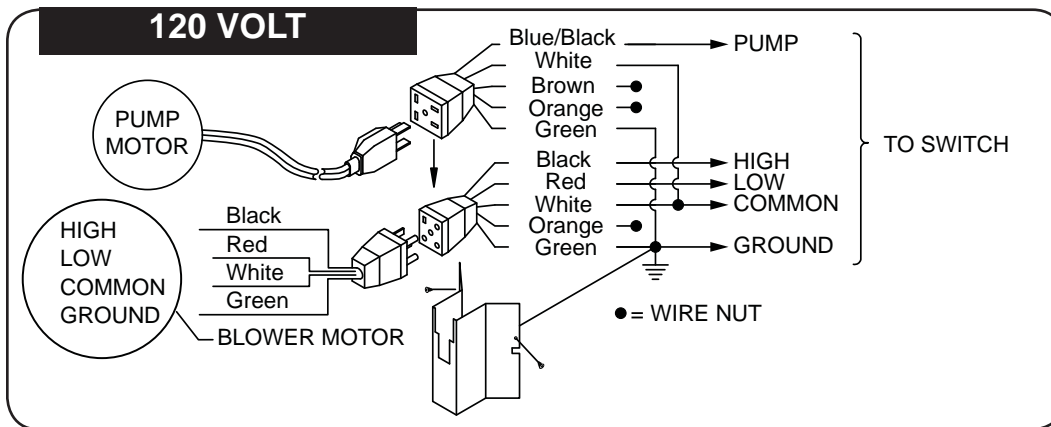
⚠️WARNING: Before proceeding with installation, ensure electrical power is disconnected until installation is complete.

Note: This unit can be controlled with a manual 6 position switch found at a local hardware store, or with a thermostat such as Champion's Masterstat® Wall Control Thermostat model #110423-2. For thermostat installation refer to its operating manual. Follow the steps below for manual switch installation:

1. Determine location on internal wall for 6 position switch.
 2. Supply 120V or 240V power to switch, depending on motor and pump voltages.
 3. Remove screws securing junction box to cooler cabinet.
 4. Bring four conductors plus a ground from switch to cooler junction box (such as two 2-wire Romex® wire)
- ⚠️CAUTION:** Make sure to use correctly sized wire and follow all local electrical codes.
5. Connect the four conductor wires to the leads of the motor and pump receptacles located in the junction box. Follow the connection diagrams below for 120V or 240V installations.
 6. Reinstall junction box to cooler cabinet.
 7. Plug motor and pump plugs into receptacles.
 8. Follow switch electrical instructions for connecting the four conductors and power leads to switch.

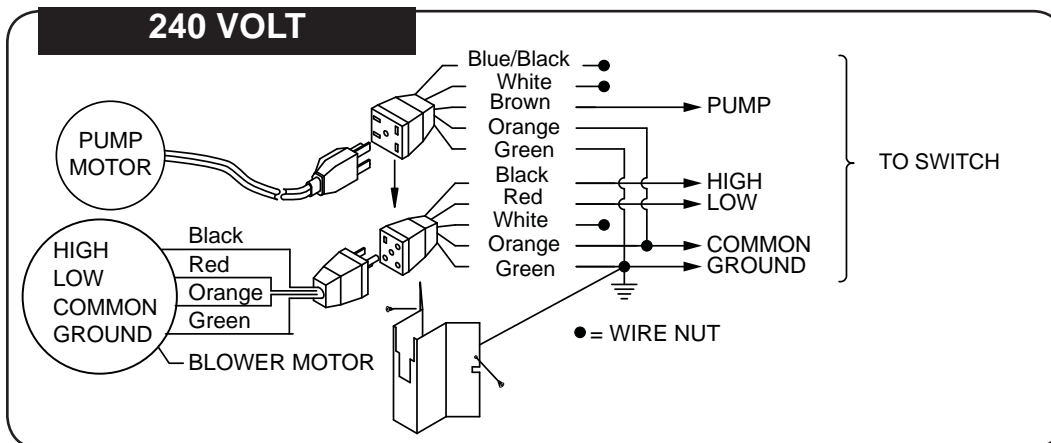


⚠️Warning: Pump cord must be secured in retaining clip to prevent contact with water.



NOTE: If single speed motor is used, do not use the RED electrical leads from the motor or receptacle. Tape off both RED leads.

⚠️CAUTION: Receptacles in junction box are only for Motor and pump. Do not plug anything else into receptacle.



⚠️WARNING: Ensure cooler cabinet is properly grounded to a suitable ground connection for maximum safety and protection of equipment.

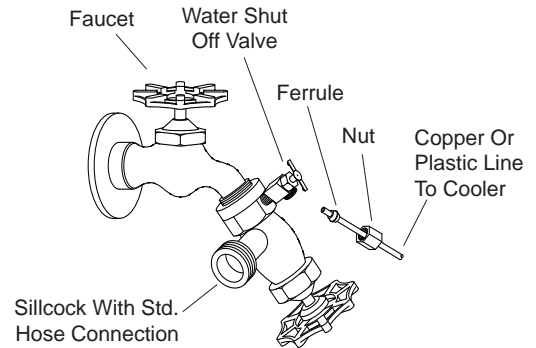
WATER CONNECTION

Note: Do not connect the water supply to any soft water applications.

SILLCOCK INSTALLATION

A steady water supply is required for the operation of this cooler. If water source comes from an external water faucet, a sillcock and shutoff valve will need to be purchased and installed.

1. Install sillcock and water valve on faucet.
2. Run ¼" plastic or copper tubing from the faucet to the unit.
3. Install one end of tubing to water valve by placing nut and ferrule on tubing and tightening the nut until water tight.

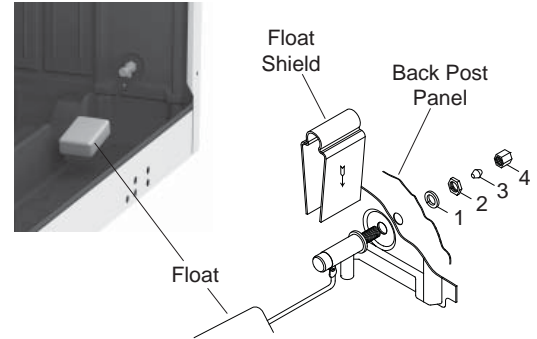


FLOAT VALVE INSTALLATION (Refer to illustration)

1. Remove items 1, 2, 3, and 4 from float.
2. Insert float body through hole in media shield and back post panel as shown.
3. Install washer (1) and nut (2). Tighten to keep float from turning. Place nut (4) and ferrule (3) on water supply line. Connect to float fitting and tighten until water tight.
4. Slide float shield over float body until it snaps into place.

Note: After installation is complete and water is turned on, the float level will need to be adjusted.

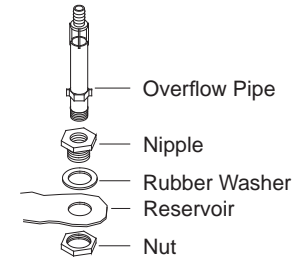
5. Bend rod to adjust float. Water level should be about 1 inch below the top opening of the overflow pipe.



OVERFLOW INSTALLATION

1. Remove nut and place nipple through the hole in the pan with the rubber washer between the pan and the head of the drain nipple.
2. Screw nut onto nipple and draw up tight against bottom pan.
3. Screw overflow pipe into nipple. This overflow pipe may be removed to drain pan when necessary.

Note: A garden hose may be screwed onto the drain nipple to drain water away from the unit.



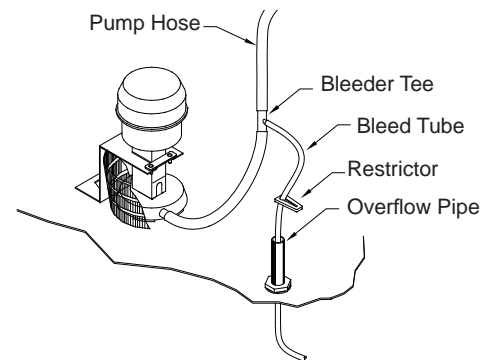
SCALE BUILDUP PREVENTION

As water evaporates, minerals that were in the water will remain. Over time this accumulation of minerals will cause scaling on the pads and in the reservoir. We recommend the installation of either a bleed-off kit (included in unit) or a purge pump (purchased separately) to help prevent scale build up and increase the life of the unit. A purge pump will drain the pan every few hours of pump operation, to keep fresh water in the unit. A bleed-off kit will continually bleed off a small portion of water while the pump is running allowing fresh water to continually replace the old stagnate water. Follow the instructions below for installing the bleed-off kit.

1. Cut the pump hose and insert the barbed ends of the bleeder tee into each cut end.
2. Insert one end of the bleeder tubing onto the bleeder tee and run the other end out of the cooler through the overflow pipe.

Note: A restrictor clamp is provided which, if desired, may be installed onto the bleeder tubing to restrict the amount of water being bleed off. The amount of water to bleed off depends on the quality of the water in your area. Start with 1-2 gal/hr and increase if needed.

BLEED-OFF KIT



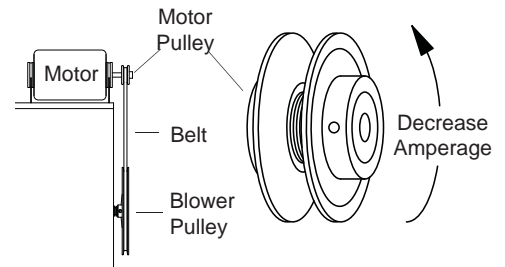
AMPERAGE DRAW AND BELT TENSION

⚠CAUTION: No attempt should be made to completely install this unit without the aid of an electrician or someone familiar with testing amperage draw. Failure to comply with these instructions may void your warranty.

This unit is equipped with an adjustable motor drive pulley for adjusting the blower wheel speed to the proper loading for different duct systems. It is important that the motor drive pulley is adjusted to correct size to ensure maximum air delivery without damage to the motor. Be sure to follow these instructions carefully.

AMPERAGE DRAW AND BELT TENSION (CONT)

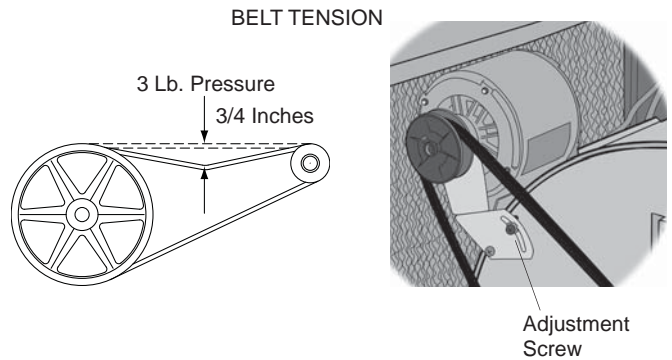
1. Ensure electrical connection of unit is complete and in accordance with all safety standards and local requirements.
2. Reinstall inspection panels. Apply power, turn water and pump on and allow cooler to run for a few minutes to wet pads.
3. Check amperage and verify it conforms to amperage listed on the specification label on motor.
 - If amperage draw is less than motor rating, turn off electrical power and remove inspection panels. Unplug motor inside cooler, this will protect you from someone turning on unit while you are working inside. This should be done for your safety. Adjust pulley to a larger diameter and readjust belt tension. Plug motor in, install inspection panels, and retest amperage draw. Repeat this process until correct amperage draw is attained.



Note: Increasing motor pulley diameter increases amperage draw. Decreasing motor pulley diameter decreases amperage draw.

⚠CAUTION: DO NOT operate cooler with larger amperage draw than specified on motor plate. Motor damage will occur.

4. Check belt tension after adjusting pulley. A 3 lb. force should deflect the belt 3/4 inches. Readjust belt if needed by loosening adjustment screw, rotate motor until you have the correct belt tension, then re-tighten screw.



OPERATION

NOTES: These coolers may be used without water for ventilation purposes. When outside air is cool (for example, at night) or when humidity is high the water pump can be turned off.

To eliminate the delivery of hot air when starting the cooler, start the pump only for the first few minutes, then turn on the blower motor.

For an evaporative cooler to be effective, there needs to be adequate exhaust. If there is not adequate exhaust, pressure and humidity will build up in the building. You exhaust by opening doors or windows to allow the old stale air in the building to escape. Attic exhaust dampers may also be installed to exhaust the air into the attic. The combination of attic exhaust dampers and a thermostat can provide a completely automatic operation.

An often misunderstood concept of evaporative cooling is the amount of air that should be exhausted. How much should you open your windows? The following two methods will help you determine the amount to open your windows.

WINDOW AREA/CFM METHOD

For proper air flow, allow an opening of at least 2 square feet (288 square inches) for each 1000 CFM rating of your unit.

Example: At 3320 CFM, model ADA 51 (1/2 hp) requires 6.6 square feet (950 square inches) of opening ($3320/1000 * 2 = 6.6$).

Multiply the number of windows by window width in inches and divide this into the number of square inches required for your size unit. This will give you the height to open windows. In this example, four 36 inch wide windows should be opened 6.6 inches each.

TISSUE SUCTION METHOD

1. Take a piece of tissue paper and cut it lengthwise into 3 equal strips.
2. Turn your cooler on high cool.
3. Open one window at least six inches wide in each room that you want to cool.
4. Take the piece of tissue paper and put it up against the screen of the open window furthest from the cooler discharge opening. Let go of it. It will do one of three things.

IF:	It falls down.	THEN:	CLOSE all of the windows one inch and try step 4 again.
IF:	It plasters itself to the screen.	THEN:	OPEN all of the windows one inch and try step 4 again.
IF:	It stays on the screen lightly.	THEN:	PERFECT. You are done. Enjoy your cooler.

Notes:

- When switching to low cool, you must re-balance your home. Repeat step 4.
- Once you balance your home you can cool some areas more than others by opening those windows more and closing the others by the same amount. Repeat step 4 to make sure your home is still air balanced.

MAINTENANCE

Regular maintenance on your cooler will increase performance and extend the life of your cooler.

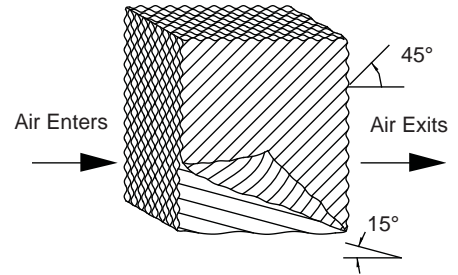
⚠️WARNING: Before accomplishing any maintenance ensure power is turned off and the motor and pump are unplugged.

START OF SEASON MAINTENANCE

Accomplish these basic steps before the temperatures require cooling in case you have to acquire replacement parts.

CLEAN MEDIA

1. With power OFF, remove inspection panels, top panels and inlet grille to access interior of unit. Place panels in a flat, secure place to protect them from being bent or damaged.
2. Disconnect water tube and lift off water distribution tray, accessing the media. Remove filter pad on top.
3. Remove and inspect media pads. Using a garden hose sprayer, wash the media pad ensuring openings are clear of obstruction and dirt. Some light scrubbing may be required to remove mineral deposits. Do not use harsh detergents or pressure washers in cleaning. Make every effort to keep the media intact.
4. The original media has a standard life of 5 years, but in areas with very high mineral content the media may have to be replaced sooner.
5. When reinstalling existing or installing new replacement pads, ensure pads are installed in the correct configuration:
 - Place the media into the unit with the steeper flute angle sloping down towards the air inlet side. This provides the most effective water flow to the pads, allowing higher cooling efficiencies.
 - We recommend using original equipment, MasterCool® media replacement pads for highest cooling capabilities.



NOTE: If competitor pads with equal angles are installed, disregard directional placement of media.

OIL BEARINGS

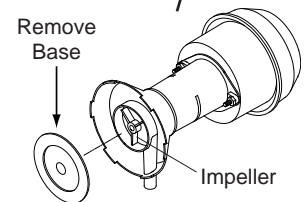
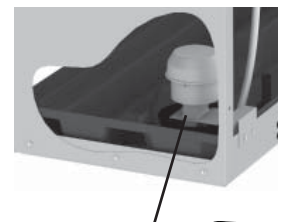
1. The blower bearings should be oiled each year with non-detergent 20/30 weight oil.
2. Locate and open the oil cup on each of the blower bearings and add a few drops of oil.
3. Add oil to motor bearings if motor has oil lines. Note: Many motors are sealed and do not require addition of oil.

⚠️CAUTION: Do not over oil the motor, as this can cause the motor to burn out due to excessive oil on windings.



CLEAN PUMP

1. Pump should be cleaned at least once a year or more often if debris accumulates.
2. Unplug motor and pump from junction box, and disconnect water tube, if not already accomplished.
3. Using a screw driver, pry plastic retaining fasteners straight up out of the pump-mounting bracket.
4. Slide the pump off the mounting bracket.
5. Extract pump from straining basket or netting and remove base of pump.
6. Clean pump, turn impeller to ensure free movement.
7. Remove pump spout and check for blockage.
8. Reinstall pump base and verify it is secure.
9. Before reinstalling pump, check water hose, bleeder line and water distributor tube to ensure there is no blockage in any lines.
10. Reinstall the pump by sliding pump onto mounting bracket and reinserting the plastic retainers to ensure pump stays in upright position.
11. Reinstall water tube to the pump outlet spout.



CHECK BELT

1. Before unit is turned on, check that belt condition is good. If belt must be replaced, install same sized belt.
2. Verify belt tension is correct: 3/4" deflection with 3 lbs of force.

END OF SEASON SHUTDOWN

The cooler should be prepared before any extended period of non use, and especially before winter shutdown.

1. Drain all water from unit, supply line and pump to ensure no damage occurs from freezing. Keep water line disconnected from both unit and supply line.
2. Unplug motor and pump from junction box.
3. Clean unit.
4. Cover unit to protect finish for long periods of non use.

GENERAL SPECIFICATIONS							
MODELS	WEIGHT (lbs)		CABINET DIMENSIONS (in.)			DUCT OPENING (in.)	
	DRY	OPERATING	HEIGHT	WEIGHT	DEPTH	WIDTH	HEIGHT
51 Series	177	227	28	42	45	17-3/4	17-3/4
5112 Series	190	257	28	42	49	17-3/4	17-3/4
71 Series	213	263	34-5/8	42	48	19-3/8	19-3/4
7112 Series	233	300	34-5/8	42	52	19-3/4	19-3/4

*Includes motor weight

MOTOR SPECIFICATIONS									
MODELS	H.P	MOTOR PN	SPEED	VOLTS	*AMPS	WEIGHT (LBS)	MOTOR PULLEY P/N	MODEL	DRIVE BELT P/N
51 & 5112 Series	1/3	110445	2	115	7.2	17	110279-002	ADA51 & ADA5112	110208 (4L-520)
	1/2	110447	2	115	9.8	18	110279-004		110229 (4L-530) -3/4 HP
	1/2	110475	2	230	4.9	15	110279-004	ASA51 & ASA5112	110212 (4L-570)
	3/4	110449	2	115	13.8	22	110279-004		110222 (4L-510)
	3/4	110480	2	230	16.9	21	110279-004	AUA51 & AUA5112	110222 (4L-510)
71 & 7112 Series	1/2	110447	2	115	9.8	18	110279-002	ADA71 & ADA7112	110230 (4L-640)
	1/2	110475	2	230	4.9	15	110279-002		
	3/4	110449	2	115	13.8	22	110279-004	ASA71 & ASA7112	110213 (4L-670)
	3/4	110480	2	230	6.9	21	110279-004		
	1	110471	2	115	16	29	110279-003	AUA71 & AUA7112	110213 (4L-670)
	1	110458	2	230	8	29	110279-003		

* Amperage shown is from National Electrical Code for high speed.

TROUBLESHOOTING GUIDE		
PROBLEM	POSSIBLE CAUSE	REMEDY
Failure to start or no air delivery	1. No electrical power to unit <ul style="list-style-type: none"> Blown Fuse or Tripped Circuit Breaker Electrical cord damage 	1. Check Power <ul style="list-style-type: none"> Replace fuse or reset breaker Replace Cord
	2. Belt too loose or too tight	2. Adjust belt tension
	3. Motor overheated <ul style="list-style-type: none"> Belt too tight Blower bearings dry Motor pulley diameter too large 	3. Determine cause of overheating <ul style="list-style-type: none"> Adjust pulley tension Oil blower bearings Adjust pulley to correct diameter
	4. Motor locked	4. Replace motor
Inadequate air delivery with cooler running	1. Insufficient air exhaust	1. Open doors or windows to increase air flow
	2. Belt too loose	2. Adjust belt tension or replace if needed
	3. Pads plugged/dirty	3. Clean pads
	4. Motor underloaded	4. Adjust pulley
Water draining onto roof	1. Float arm not adjusted properly	1. Adjust float
	2. Overflow assembly leaking	2. Tighten nut and overflow pipe
Musty or unpleasant odor	1. Stale or stagnate water in cooler	1. Drain pan and clean pads
Motor cycles on and off	1. Low voltage	1. Check voltage
	2. Excessive belt tension	2. Adjust belt tension
	3. Blower shaft and tight or locked	3. Unplug unit and oil or replace bearings
	4. Bearings dry	4. Oil bearings
	5. Motor pulley diameter too large , causing motor overload	5. Adjust pulley so full load ampere rating of motor is not exceeded.
Noisy	1. Bearings dry	1. Oil bearings
	2. Wheel rubbing blower housing	2. Unplug unit, inspect and realign
	3. Loose parts	3. Tighten loose parts
Inadequate cooling	1. Inadequate exhaust in house	1. Open windows or doors to increase air flow
	2. Pads not wet <ul style="list-style-type: none"> Pads clogged Distribution tube holes clogged Pump not working properly 	2. Check water distribution system <ul style="list-style-type: none"> Clean pads Clean tube holes Unplug and replace or clean pump
	1. Insufficient air exhaust	1. Open doors or windows

MASTERCool SINGLE INLET LIMITED WARRANTY POLICY

SALES RECEIPT REQUIRED AS PROOF OF PURCHASE FOR ALL WARRANTY CLAIMS.

This warranty is extended only to the original purchaser of this evaporative cooler when the unit is installed and used under normal conditions against defects in workmanship and materials as follows:

- One (1) year from date of sale on the cabinet components
- Five (5) years on the evaporative media, which is considered a disposable component and should be replaced periodically.
- Two (2) years on the motor, if furnished by Champion Cooler

The manufacturer will replace the defective part/product, at its discretion. It is agreed that such replacement is the exclusive remedy available from the manufacturer and that **TO THE MAXIMUM EXTENT PERMITTED BY LAW, THE MANUFACTURER IS NOT RESPONSIBLE FOR DAMAGES OF ANY KIND, INCLUDING INCIDENTAL AND CONSEQUENTIAL DAMAGE OR LOSS OF PROFITS OR REVENUES.**

Some states do not allow limitations on how long an implied warranty lasts, so the above limitations may not apply to you.

Exclusions from this warranty

We are not responsible for any incidental or consequential damage from any malfunction, accident, misuse, alterations, unauthorized repairs, abuse, including failure to perform reasonable maintenance, normal wear and tear.

Alterations include the substitution of name brand components including, but not limited to media pads.

We are not responsible for any damage from the use of water softeners or treatments, chemicals or descaling materials.

We are not responsible for the cost of service calls to diagnose the cause of trouble, or labor charge to repair and/or replace parts.

No employee, agent, dealer or other person is authorized to give any warranties or conditions on behalf of the manufacturer. The customer shall be responsible for all labor costs incurred.

Some states do not allow the exclusion or limitation of incidental or consequential damages, so the above limitations or exclusions may not apply to you.

How to obtain service under this warranty

Within the limitations of this warranty, purchaser with inoperative units should contact the dealer where you purchased the cooler. If for any reason you are not satisfied with the response from the dealer, contact Customer Service at 800-643-8341 for instructions on how to obtain service within warranty as listed above.

This warranty gives the customer specific legal rights, and you may also have other rights which vary from province to province, or state to state.

Register your product at www.championcooler.com.



MANUAL DE INSTALACIÓN Y OPERACIÓN ENFRIADOR EVAPORATIVO DE ADMISIÓN SIMPLE

Encierre con un círculo el modelo de su enfriador y escribe el número de serie abajo.

Fecha de Compra

Número De Serie

ADA51	ADA5112	ADA71	ADA7112
ASA51	ASA5112	ASA71	ASA7112
AUA51	AUA5112	AUA71	AUA7112

LEA CON CUIDADO TODO ESTE MANUAL ANTES DE INSTALAR LA UNIDAD.

TABLA DE CONTENIDO

Reglas De Seguridad	9
Cómo Funciona Los Enfriadores Evaporativos	9
Instalación	10
Operación	13
Método de Equilibrar el Aire	13
Mantenimiento	14
Tablas De Especificaciones.....	15
Lista De Piezas De Repuesto.....	17
Localización de Averías	
Garantía Limitada.....	24

LEA Y CONSERVE ESTAS INSTRUCCIONES

NORMAS DE SEGURIDAD

1. Lea todas las instrucciones con detenimiento.
2. Las conexiones eléctricas deben ser realizadas por un electricista calificado, de manera que todo el cableado eléctrico cumpla con sus normas locales.
3. Siempre CORTE LA CORRIENTE y DESCONECTE el motor y la bomba dentro del enfriador antes de realizar la instalación o mantenimiento.
4. Su enfriador funciona con corriente alterna de 120V o 240V, monofásica, 60 Hz. (ciclos).
5. El motor y la bomba tienen un enchufe moldeado con descarga a tierra y un interruptor térmico automático que apagará el motor en caso de sobrecalentamiento. Los motores reiniciarán de forma automática al enfriarse.

⚠️ ADVERTENCIA: Para reducir el riesgo de incendio o descarga eléctrica, no utilice este ventilador con ningún "dispositivo de estado sólido de control de velocidad de ventilador."

CÓMO FUNCIONAN LOS ENFRIADORES EVAPORATIVOS

El enfriamiento por evaporación es la forma natural de enfriar. Cuando el aire se mueve sobre una superficie húmeda, el agua se evapora y se absorbe el calor. Al salir de una piscina mientras sopla el viento, el enfriamiento por evaporación hace que se sienta fresco, aún cuando el aire sea cálido.

Esta unidad funciona con el mismo principio. Se hace circular aire a través de almohadillas filtrantes húmedas donde el aire se enfría por evaporación y luego se propaga por todo el edificio. Es la combinación de aire enfriado y movimiento de aire sobre su piel lo que le hace sentir fresco.

A diferencia de otros sistemas de enfriamiento que redistribuyen el aire, el enfriador por evaporación ingresa aire fresco de forma continua mientras expulsa el aire viciado. Usted renueva el aire por completo cada 2 a 4 minutos al abrir ventanas o puertas, al utilizar la ventilación de techo Up-Dux®, o una combinación de ambas. El aire siempre está fresco, no rancio, cargado de humo y olores como suele ocurrir con el aire acondicionado por refrigeración.



INSTALACIÓN

⚠️PRECAUCIONES:

Tome las siguientes precauciones antes de instalar su enfriador:

- Antes de la instalación, asegúrese de que su sistema eléctrico esté preparado para el consumo adicional de voltaje de la unidad
- NO se recomienda su instalación en el ático.
- De instalar la unidad sobre el suelo, asegúrese de que la zona esté nivelada, bien apisonada y que no sufrirá erosión o se tornará inestable al ser expuesta a líquidos.
- **De instalar sobre un soporte, o una construcción existente, asegúrese de que dicha estructura soportará el peso operativo del enfriador. (Vea la tabla de especificaciones para conocer el peso operativo.)**
- Asegúrese de que toda la unidad tenga soporte suficiente. Si apoyará la unidad sobre pies en cada esquina, debe agregar un apoyo en el medio de la unidad, donde las dos secciones se unen.
- Le recomendamos que consulte a un contratista profesional si la instalación requiere cortar estructuras existentes tales como paredes o techos.
- No atornille o perfora a 5 pulgadas del fondo de la sección húmeda, ya que podría atravesar el depósito.
- Asegúrese de que el trabajo eléctrico cumpla con las normas locales. Puede requerir un electricista para un cableado correcto y seguro.

⚠️ADVERTENCIA: DESCONECTE TODOS LOS SERVICIOS ELÉCTRICOS QUE SE UTILIZARÁN PARA ESTA UNIDAD ANTES DE COMENZAR LA INSTALACIÓN Y NO LOS RE-CONECTE HASTA QUE FINALICE LA INSTALACIÓN.

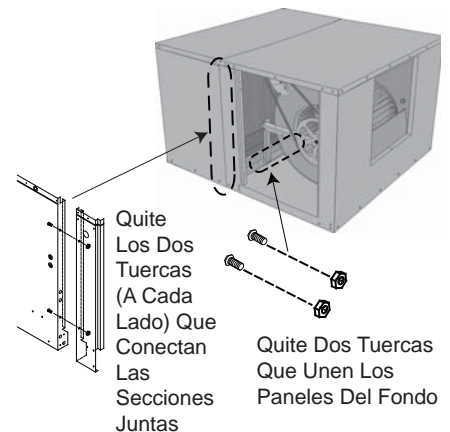
PIEZAS Y HERRAMIENTAS NECESARIAS:

- Motor con polea para motor (se adquiere por separado)
- Llave Allen 5/32 (para instalación de polea)
- Llave 7/16 o Llave ajustable
- Destornillador Phillips
- Llave de paso o válvula de agua y tubos
- Multímetro (para lectura de amperios)

SEPARACIÓN DE SECCIONES

Siga los pasos a continuación para separar las secciones de la unidad, si lo prefiere para facilitar la instalación:

1. Quite las cuatro tuercas (dos a cada lado) del poste central interno de la unidad, conectando la sección húmeda con la sección de la sopladora.
2. En algunos modelos, también será necesario quitar dos tuercas del interior de la unidad, que unen los paneles del fondo de ambas secciones.



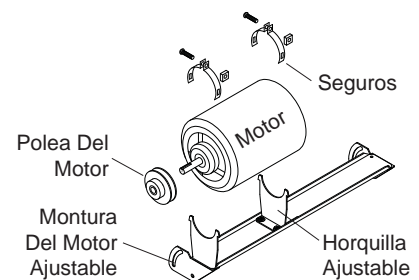
INSTALACIÓN DEL MOTOR

Nota: El motor se adquiere por separado. Vea la Tabla de Especificaciones de Motor para conocer los motores que pueden utilizarse.

1. Para una instalación típica de 120V, conecte el cable del motor (incluido) al motor (adquirido por separado). Siga el diagrama eléctrico del motor utilizando el siguiente código de colores:

NEGRO - ALTO; ROJO - BAJO; BLANCO - COMÚN; VERDE - TIERRA

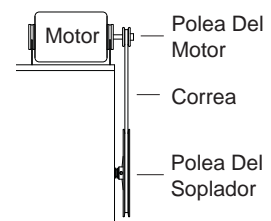
2. Para instalar un motor de 1 CV, mueva la horquilla ajustable para hacer lugar al motor más grande. Ajuste el tamaño del soporte según sea necesario para el tamaño del motor. Monte el motor de la sopladora a las horquillas de la montura del motor. Asegure el mismo con los seguros incluidos para el motor.
3. Deje el enchufe del motor desconectado hasta que la parte eléctrica de la instalación esté completa.



INSTALACIÓN DE POLEA

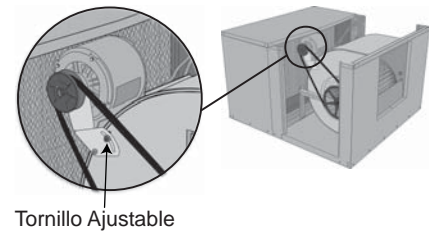
1. Abra la polea ajustable unas cinco vueltas completas hasta su diámetro menor.
2. Instale la polea del motor en el eje del motor de manera que esté alineada con la polea de transmisión de la sopladora y ajuste con la llave Allen.
3. Desajuste el tornillo del montura del motor.
4. Instale la correa en las poleas.

ALINEAR LAS POLEAS



- Gire la montura del motor hasta que la correa esté ajustada, y aplique el tornillo de ajuste para asegurar la correa. Verifique la tensión de la correa según las instrucciones de la página 13.

Nota: Puede ser necesario hacer nuevos ajustes a la correa y las poleas luego de finalizada la instalación.



Tornillo Ajustable

CONEXIÓN ELÉCTRICA

⚠️ADVERTENCIA: Las conexiones eléctricas deben ser realizadas por un electricista calificado para garantizar que el cableado cumpla con sus normas locales.

⚠️ADVERTENCIA: Tome todas las precauciones de seguridad al trabajar con energía eléctrica.

⚠️ADVERTENCIA: Antes de proseguir con la instalación, asegúrese de que la energía eléctrica esté desconectada hasta que finalice la instalación.

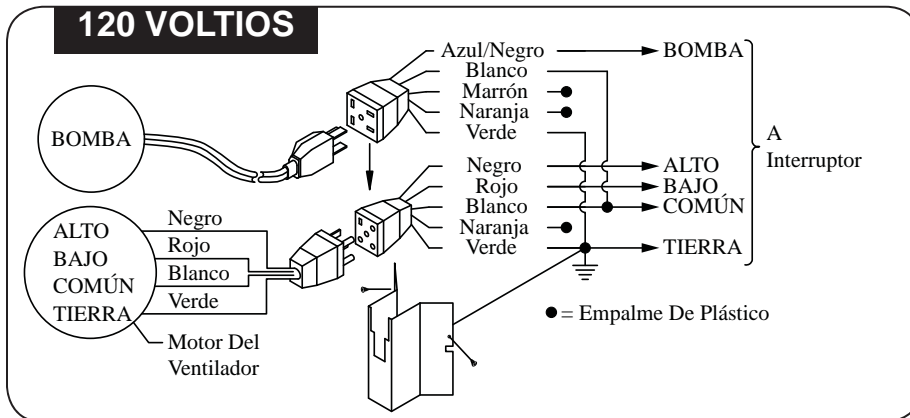
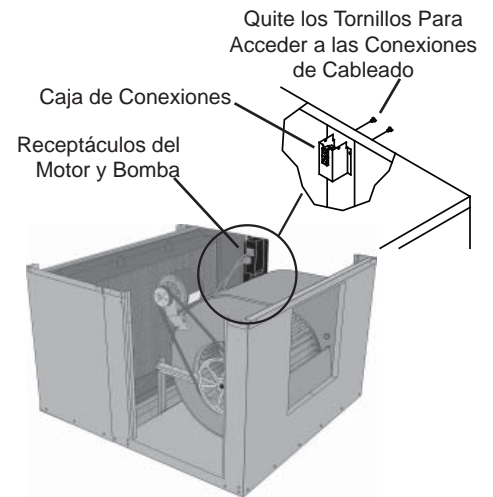
Nota: Se puede controlar esta unidad con un interruptor manual de 6 posiciones que se encuentra en una ferretería local, o con un termostato tal como el Termostato de Pared de Champion, Masterstat® modelo n° 110423-2. Para la instalación del termostato consulte el manual operativo del mismo. Siga los pasos a continuación para la instalación del interruptor manual:

- Determine la ubicación para el interruptor de 6 posiciones en la pared interna.
- Alimente el interruptor con energía de 120V o 240V, según los voltajes del motor y la bomba.
- Quite los tornillos que fijan la caja de conexiones a la cabina de enfriamiento.
- Traiga cuatro conductores más una toma de tierra desde el interruptor hasta la caja de conexiones del enfriador (similar al cable Romex® de dos alambres).

⚠️PRECAUCIÓN: Asegúrese de utilizar cables de tamaño adecuado y respete las normas locales de electricidad.

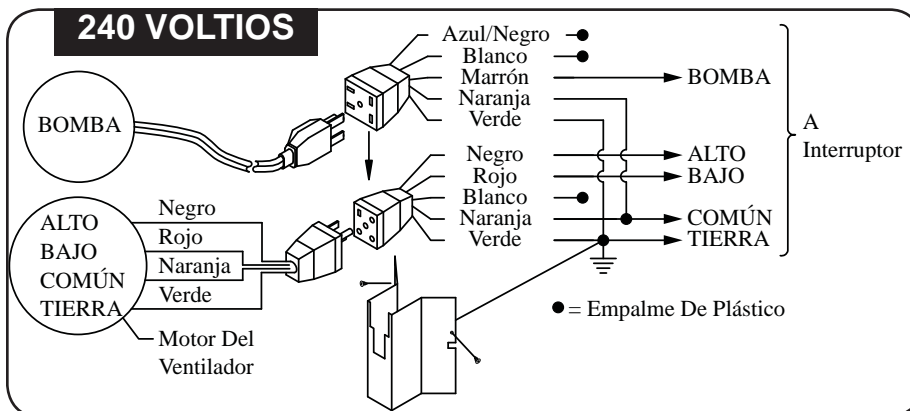
- Conecte los cuatro cables conductores con las terminales del motor y los receptáculos de la bomba ubicados en la caja de conexiones. Siga los diagramas de conexión a continuación para las instalaciones de 120V y 240V.
- Instale nuevamente la caja de conexiones en la cabina de enfriamiento.
- Conecte el motor y los enchufes de la bomba en los receptáculos.
- Siga las instrucciones del interruptor eléctrico para conectar los cuatro conductores y el cable de energía al interruptor.

⚠️Advertencia: El cable de la bomba debe estar sujeto con la horquilla de retención para evitar contacto con el agua.



NOTA: De utilizar un motor de velocidad única, no utilice los cables eléctricos ROJOS del motor o receptáculo. Cubra con cinta ambas terminales ROJAS.

⚠️PRECAUCIÓN: Los receptáculos de la caja de conexiones son únicamente para el motor y la bomba. No conecte nada más al receptáculo.



⚠️ADVERTENCIA: Asegúrese de que el gabinete del enfriador tenga una conexión adecuada a tierra para una mayor seguridad y protección del equipo.

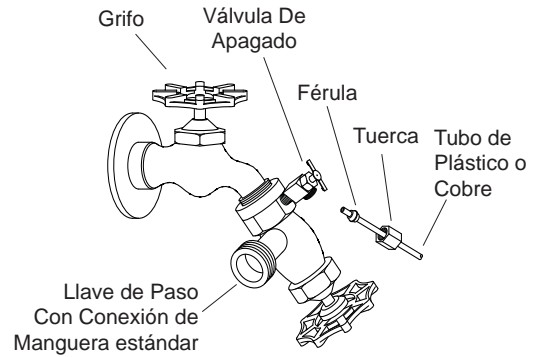
CONEXIÓN DE AGUA

Nota: No conecte la alimentación de agua a equipos de agua blanda.

INSTALACIÓN DE VÁLVULA DE AGUA ACOPLADA

Se requiere un suministro de agua constante para el funcionamiento del enfriador. Si la fuente de agua viene de un grifo externo, se deberá comprar e instalar una llave y una válvula de paso.

1. Instale la llave de paso y la válvula de agua en el grifo.
2. Conecte la unidad al grifo con tubos de plástico o cobre de ¼ de pulgada.
3. Instale un extremo de la tubería en la válvula de agua, colocando la tuerca y el férula sobre el tubo y ajustando la tuerca hasta que sea a prueba de agua.

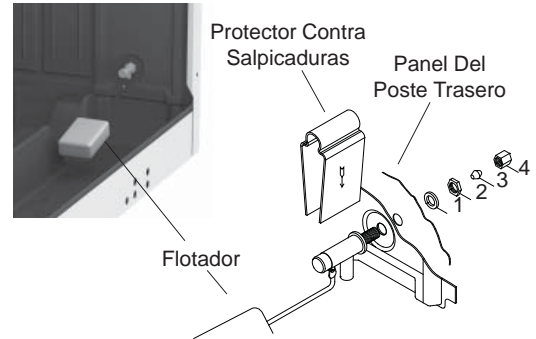


INSTALACIÓN DE VÁLVULA DE FLOTADOR (Véase la ilustración)

1. Quite los elementos 1, 2, 3 y 4 del flotador.
2. Inserte el cuerpo del flotador por el orificio en el escudo medio y el panel del poste trasero según muestra la figura.
3. Aplique la arandela (1) y la tuerca (2). Ajuste para evitar que gire el flotador. Coloque la tuerca (4) y el férula (3) en la línea de suministro de agua. Conecte al conexión roscada del flotador y ajuste hasta quedar a prueba de agua.
4. Deslice el protector contra salpicaduras del flotador sobre el cuerpo del flotador hasta que encaje en su lugar.

Nota: Una vez que termina la instalación y se enciende el agua, será necesario ajustar el nivel del flotador.

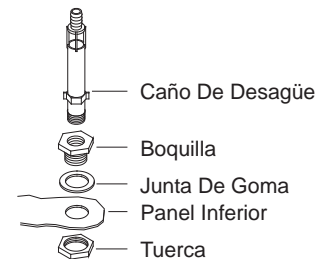
5. Doble la vara para ajustar el flotador. El nivel de agua debería estar a una pulgada por debajo de la abertura del caño de desagüe.



INSTALACIÓN DE MONTAJE DE DESAGÜE

1. Quite la tuerca y coloque la boquilla por el orificio del panel con la junta de goma entre el panel y la cabeza de la boquilla.
2. Atornille la tuerca a la boquilla y ajuste al panel inferior.
3. Atornille el caño de desagüe a la boquilla. Dicho caño de desagüe puede quitarse para drenar la fuente cuando sea necesario.

Nota: Puede atornillarse una manguera de jardín a la boquilla para drenar el agua de la unidad.



PREVENCIÓN DE ACUMULACIÓN DE ÓXIDO

A medida que se evapora el agua, los minerales del agua permanecen. Con el tiempo, esta acumulación de minerales puede resultar en óxido en los filtros y el depósito. Recomendamos la instalación de un paquete de purga (incluido con la unidad) o una bomba de purga (adquirida por separado) para prevenir la acumulación de óxido y aumentar la vida útil de la unidad. Una bomba de purga drenará la fuente de forma regular para mantener agua fresca en la unidad. Un paquete de purga hace una purga continua de una pequeña fracción de agua mientras la bomba funciona, lo que permite que agua fresca reemplace el agua estancada de forma continua. Siga las instrucciones a continuación para instalar el paquete de purga.

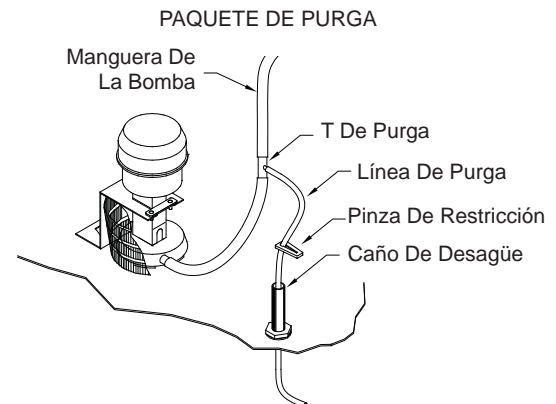
1. Corte la manguera de la bomba e inserte los extremos dentados del T de purga en cada punta cortada.
2. Inserte un extremo de la línea de purga a la T de purga y lleve el otro extremo fuera del enfriador a través del caño de desagüe.

Nota: Se incluye una pinza de restricción que puede instalarse en la línea de purga para restringir la cantidad de agua que se purga. La cantidad de agua a purgar depende de la calidad del agua en su zona. Comience con 1-2 gal/hr. y aumente de ser necesario.

AMPERIO Y TENSIÓN DE LA CORREA

⚠PRECAUCIÓN: No intente instalar la unidad por completo sin la ayuda de un electricista o alguien familiarizado con las pruebas de consumo de corriente. El incumplimiento de las presentes instrucciones puede anular su garantía.

Esta unidad está equipada con una polea ajustable de transmisión del motor para ajustar la velocidad de la rueda de la sopladora según la carga requerida para los distintos sistemas de conductos. Es importante que la polea de transmisión del motor sea ajustada al tamaño correcto para asegurar un máximo suministro de aire sin dañar el motor. Asegúrese de seguir estas instrucciones.



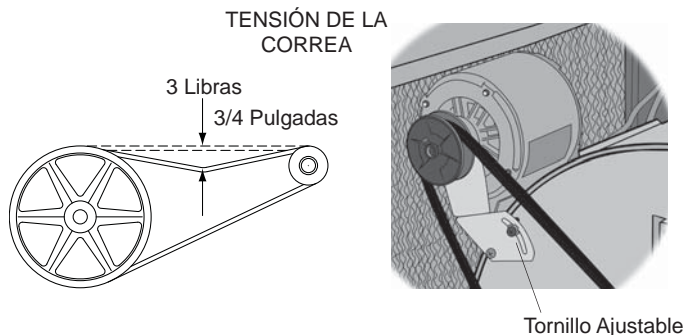
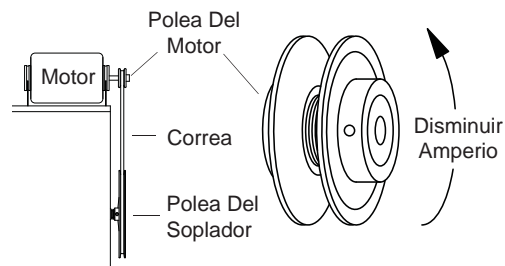
1. Asegúrese de que la conexión eléctrica de la unidad esté completa y de conformidad con las normas de seguridad y los requisitos locales.
2. Instale nuevamente los paneles de inspección. Active la energía, encienda el agua y la bomba y permita que el enfriador funcione unos minutos para humedecer los filtros.
3. Verifique el amperio y confirme que esté de acuerdo con el amperio detallado en la etiqueta de especificaciones del motor.

- Si el consumo de corriente es menor que el indicado por el motor, corte la corriente eléctrica y quite los paneles de inspección. Desenchufe el motor dentro del enfriador, eso lo protegerá si alguien enciende la unidad mientras usted trabaja dentro de la misma. Esto debe realizarse por su propia seguridad. Ajuste la polea a un diámetro mayor y reajuste la tensión de la correa. Enchufe el motor, instale los paneles de inspección y pruebe el consumo de corriente nuevamente. Repita el proceso hasta lograr el consumo correcto de corriente.

Nota: El incremento del diámetro de la polea del motor aumenta el consumo de corriente. La reducción del diámetro de la polea del motor disminuye el consumo de corriente.

⚠PRECAUCIÓN: NO opere el enfriador con un amperio superior al indicado en la placa del motor. Esto dañará el motor.

4. Verifique la tensión de la correa luego de ajustar la polea. Una fuerza de 3 libras debería desviar la correa unas 3/4 pulgadas. Reajuste la correa de ser necesario aflojando el tornillo de ajuste, gire el motor hasta que tenga la tensión correcta de la correa y vuelva a apretar el tornillo.



OPERACIÓN

NOTAS: Estos enfriadores pueden utilizarse sin agua a los fines de ventilación. Cuando el aire exterior está fresco (por ejemplo, por la noche) o cuando la humedad es alta, puede apagarse la bomba de agua.

Para detener el suministro de aire caliente al prender el enfriador, encienda solo la bomba durante los primeros minutos, luego encienda el motor de la sopladora.

Para que el enfriador evaporativo sea efectivo, debe haber una ventilación adecuada. Si no hay un escape, la presión y humedad se acumularán dentro del edificio. Usted facilita el escape al abrir puertas o ventanas para permitir que el aire viciado del edificio salga al exterior. Puede instalar también rejillas regulables de ventilación en el ático para descargar el aire en el ático. La combinación de rejillas regulables de ventilación en el ático y un termostato puede brindarle una operación completamente automática.

Un concepto frecuentemente errado sobre el enfriamiento por evaporación es la cantidad de aire que debe liberarse. ¿Cuánto debe abrir sus ventanas? Los dos métodos siguientes le ayudarán a determinar cuánto debe abrir sus ventanas.

MÉTODO DE CFM/SUPERFICIE DE VENTANAS

Para un flujo adecuado de aire, se necesita una abertura de al menos dos pies cuadrados (288 pulgadas cuadradas) por cada 1000 CFM de su unidad.

Ejemplo: Con 3320 CFM, el modelo ADA 51 (1/2 CV) requiere 6,6 pies cuadrados (950 pulgadas cuadradas) de abertura ($3320/1000 * 2 = 6,6$).

Multiplique el número de ventanas por el ancho de las ventanas en pulgadas y divida ese número por el número de pulgadas cuadradas necesarias según la unidad de tamaño. Esto le indicará a qué altura debe levantar las ventanas. En este ejemplo, cuatro ventanas de 36 pulgadas de ancho deberían levantarse 6,6 pulgadas cada una.

MÉTODO DE SUCCIÓN DE PAÑUELO DE PAPEL

1. Tome un trozo de pañuelo de papel y córtelo a lo largo en 3 tiras iguales.
2. Encienda su enfriador en "High Cool" (enfriar alto).
3. Abra una ventana por lo menos seis pulgadas de ancho en cada habitación que desea enfriar.
4. Tome el trozo de papel y colóquelo contra la superficie de la ventana abierta que está más lejos de la abertura de desagüe del enfriador. Suelte el papel. Pueden ocurrir tres cosas.

SI: Cae al suelo.

ENTONCES: CIERRE todas las ventanas por lo menos una pulgada y pruebe nuevamente el paso 4.

SI: Se pega a la superficie.

ENTONCES: ABRA todas las ventanas una pulgada y pruebe nuevamente el paso 4.

SI: Permanece ligeramente sobre la superficie.

ENTONCES: PERFECTO. Ya está todo listo. Disfrute su enfriador.

Notas:

- Cuando cambie a "Low Cool" (enfriar bajo), debe volver a equilibrar su hogar. Repita el paso 4.
- Una vez que equilibra su hogar puede enfriar algunas áreas más que otras abriendo más esas ventanas y cerrando las otras en la misma proporción. Repita el paso 4 para asegurarse de que el aire de su hogar permanezca equilibrado.

MANTENIMIENTO

Un mantenimiento periódico de su enfriador mejorará su rendimiento y ampliará su vida útil.

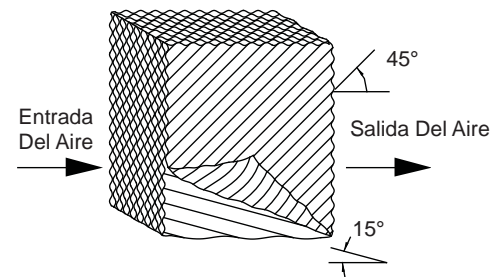
⚠️ADVERTENCIA: Antes de realizar cualquier mantenimiento, asegúrese de que la energía esté cortada y que el motor y la bomba estén desenchufados.

INICIO DE MANTENIMIENTO ESTACIONAL

Realice los siguientes pasos básicos antes de que las temperaturas hagan necesario el enfriamiento por si necesita adquirir piezas de repuesto.

LIMPIEZA DE MEDIO DE FILTRADO

1. Con la energía CORTADA, quite los paneles de inspección, los paneles superiores y la parrilla de entrada para tener acceso al interior de la unidad. Coloque los paneles sobre una superficie plana y segura, para protegerlos contra daño o dobleces.
2. Desconecte el tubo de agua y levante la fuente de distribución de agua, para acceder al medio de filtrado. Quite la almohadilla filtrante superior.
3. Quite e inspeccione las almohadillas del medio de filtrado. Con un pulverizador de jardín, limpie la almohadilla del medio de filtrado asegurándose de que las aperturas estén libres de obstrucciones y suciedad. Puede ser necesario frotar ligeramente para quitar los depósitos minerales. No utilice detergentes fuertes o limpiadores a presión para limpiar. Intente que el medio de filtrado quede intacto.
4. El medio de filtrado original tiene una vida estándar de 5 años, pero en áreas de contenido mineral muy elevado puede ser necesario cambiar el medio de filtrado con anterioridad.
5. Al reinstalar almohadillas existentes o al instalar almohadillas de repuesto nuevos, asegúrese de instalar las mismas de la manera correcta:
 - Coloque el medio de filtrado en la unidad con el ángulo de onda más escarpado, inclinándose al lado de la entrada de aire. Esto facilita un flujo más efectivo de agua hacia las almohadillas, lo que permite mayor eficiencia de enfriamiento.
 - Recomendamos el uso de equipo original, las almohadillas de repuesto de medio de filtrado MasterCool® para una mayor capacidad de enfriamiento.



NOTA: De instalar almohadillas de la competencia con ángulos iguales, desestime la colocación indicada del medio de filtrado.

ACEITADO DE COJINETES

1. Los cojinetes de la sopladora deben aceitarse cada año con aceite no detergente de grado 20/30.
2. Ubique y abra el puerto de aceite en cada uno de los cojinetes de la sopladora y agregue unas gotas de aceite.
3. Añada aceite a los cojinetes del motor si el motor tiene entradas de aceite. Nota: Muchos motores están sellados y no requieren la adición de aceite.

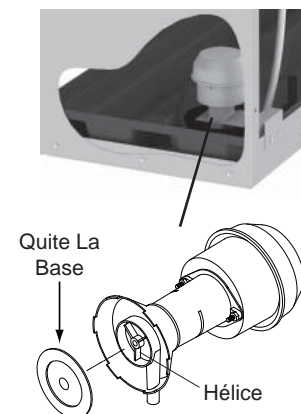
⚠️PRECAUCIÓN: No coloque aceite de más en el motor, ya que puede ocasionar que el motor se funda por exceso de aceite en los engranajes.

Puerto de Aceite



LIMPIEZA DE BOMBA

1. Se debe limpiar la bomba al menos una vez al año o más en caso de acumulación de residuos.
2. Desenchufe el motor y la bomba de la caja de conexiones, y desconecte el tubo de agua, si aún permanece conectado.
3. Con un destornillador abra las abrazaderas plásticas de retención hacia arriba, fuera de los encajes de la montura de la bomba.
4. Deslice la bomba hacia afuera de la montura.
5. Quite la bomba de la red o canasta de filtro y quite la base de la bomba.
6. Limpie la bomba, gire el rotor para asegurar que tenga movimiento libre.
7. Quite el pico de la bomba y verifique que no tenga obstrucciones.
8. Reinstale la base de la bomba y confirme que esté firme.
9. Antes de reinstalar la bomba, revise la manguera de agua, la línea de purga y el tubo de distribución de agua para asegurarse de que no haya ninguna obstrucción en las líneas.



10. Reinstale la bomba deslizando la misma a la guía de montura y reinsertando las abrazaderas plásticas para asegurarse de que la bomba permanezca en posición vertical.
11. Vuelva a conectar el tubo de agua al pico de salida de la bomba.

REVISIÓN DE CORREA

1. Antes de encender la unidad, verifique que la correa esté en buenas condiciones. En caso de que deba reemplazarla, instale una correa del mismo tamaño.
2. Verifique que la tensión sea correcta: Desvío de 3/4" con 3 libras de fuerza.

APAGADO POR FINAL DE TEMPORADA

Es necesario preparar el enfriador antes de todo período prolongado fuera de uso, y en especial antes de ser apagado por el invierno.

1. Quite toda el agua de la unidad, la línea de suministro y la bomba para asegurarse que no haya daños por congelamiento. Mantenga la línea de agua desconectada de la unidad y del suministro de agua.
2. Desconecte el motor y la bomba de la caja de conexiones.
3. Limpie la unidad.
4. Cubra la unidad para proteger el acabado durante períodos largos sin uso.

ESPECIFICACIONES GENERALES							
MODELOS	PESO (libras)		DIMENSIONES DE GABINETE (PULGADAS)			ABERTURA DE DUCTO	
	*SECO	*LLENO	ALTURA	ANCHURA	PROFUNDIDAD	ANCHURA	ALTURA
51 Serie	177	272	28	42	45	17-3/4	17-3/4
5112 Serie	190	257	28	42	49	17-3/4	17-3/4
71 Serie	213	263	34-5/8	42	48	19-3/8	19-3/4
7112 Serie	233	300	34-5/8	42	52	19-3/4	19-3/4

* Incluye el peso del motor.

ESPECIFICACIONES DEL MOTOR									
MODELOS	C.V.	MOTOR N°	VELOCIDAD	VOLTIOS	*AMPERAJE	PESO (LIBRAS)	POLEA DEL MOTOR N°	MODELO	CORREA N°
51 & 5112 Serie	1/3	110445	2	115	7.2	17	110279-002	ADA51 & ADA5112	110208 (4L-520) 110229 (4L-530) -3/4 C.V.
	1/2	110447	2	115	9.8	18	110279-004		
	1/2	110475	2	230	4.9	15	110279-004	ASA51 & ASA5112	110212 (4L-570)
	3/4	110449	2	115	13.8	22	110279-004		
	3/4	110480	2	230	16.9	21	110279-004	AUA51 & AUA5112	110222 (4L-510)
71 & 7112 Serie	1/2	110447	2	115	9.8	18	110279-002	ADA71 & ADA7112	110230 (4L-640)
	1/2	110475	2	230	4.9	15	110279-002		
	3/4	110449	2	115	13.8	22	110279-004	ASA71 & ASA7112	110213 (4L-670)
	3/4	110480	2	230	6.9	21	110279-004		
	1	110471	2	115	16	29	110279-003	AUA71 & AUA7112	110213 (4L-670)
	1	110458	2	230	8	29	110279-003		

* Amperaje listado es del código eléctrico nacional para la velocidad alta.

LA LOCALIZACION DE AVERIAS		
PROBLEMA	CAUSA POSIBLE	REMEDIO
No arranca o no sale aire	1. No llega corriente	1. Revise la corriente
	<ul style="list-style-type: none"> • Fusible fundido o Cortacircuito desactivado • Cable eléctrico dañado 	<ul style="list-style-type: none"> • Cambie el fusible o restablecer el cortacircuito • Reemplace el cable
	2. Correa muy floja o apretada	2. Ajuste la tensión de la correa
	3. Motor recalentado <ul style="list-style-type: none"> • Correa muy apretada • Cojinetes de la rueda están secos • Diámetro de la polea del motor demasiado grande 	3. Determine la causa <ul style="list-style-type: none"> • Ajuste la tensión de la correa • Lubrique los cojinetes • Ajústela al diámetro correcto
	4. Motor parado	4. Cambie el motor
Sale poco aire cuando la unidad está funcionando	1. Insuficiente abertura para que salga el aire	1. Abra ventanas o puertas para aumentar flujo de aire
	2. Poca tensión en la correa	2. Ajuste la tensión o cambie la correa
	3. Filtros obstruidos	3. Limpie los filtros
	4. Motor no se carga	4. Ajuste la polea
Agua está drenando en el tejado	1. El flotador no se ajusta correctamente	1. Ajuste el flotador
	2. Montaje de desagüe está goteando	2. Apriete la tuerca y el tubo de desagüe
Olor a encerrado, olor desagradable	1. Agua estancado en la unidad	1. Desagüe y limpie el medio evaporativo
Motor se apaga y se enciende	1. Voltaje deficiente	1. Compruebe el voltaje
	2. Demasiada tensión en la correa	2. Ajuste la tensión de la correa
	3. Eje del ventilador atorado	3. Lubrique o cambie los cojinetes (Desconecte la unidad)
	4. Cojinetes secos	4. Lubrique los cojinetes
	5. Diámetro demasiado grande de la polea del motor dando por resultado sobrecarga del motor	5. Ajústela para no exceder el grado a carga plena del amperio del motor
Hace Ruido	1. Cojinetes secos	1. Lubrique los cojinetes
	2. Rueda roza contra caja de la rueda	2. Inspeccione y alinee (Desconecte la unidad)
	3. Partes sueltas	3. Apriételas
Enfriamiento inadecuado	1. Insuficiente abertura para que salga aire	1. Abra más las ventanas o puertas
	2. El medio evaporativo no está mojado <ul style="list-style-type: none"> • Filtros obstruidos • Agujeros del tubo obstruidos • Bomba no funciona 	2. Revise la distribución de agua <ul style="list-style-type: none"> • Limpie los filtros • Límpielos • Cámbiela o límpiela (Desconecte la unidad)
Demasiada humedad en la casa	1. Insuficiente salida de aire	1. Abra puertas o ventanas

ILLUSTRATED PARTS REPLACEMENT LIST / LISTA ILLUSTRADA DE PIEZAS DE REPUESTO

SINGLE INLET EVAPORATIVE COOLER/ ENFRIADOR DE ENTRADA SIMPLE

<u>Type</u>	<u>Models / Modelos</u>	<u>Pages/Paginas</u>
Down Discharge / Descarga Descendente	ADA51, ADA5112, ADA71, ADA7112	18-19
Side Discharge / Descarga Lateral.....	ASA51, ASA5112, ASA71, ASA7112	20-21
Up Discharge / Descarga Superior.....	AUA51, AUA5112, AUA71, AUA7112.....	22-23

When ordering parts, please be sure to furnish the following information on all orders. Failure to do so may delay your order. /
Al pedir piezas, incluya toda la información siguiente con su pedido. El no proporcionar toda esta información resultará en una demora.

1. Cooler model number / El modelo de su enfriador
2. Cooler serial number / Número de serie de la unidad
3. Motor HP / C.V. del motor
4. Description and part number / Descripción y número de pieza
5. Date of purchase / Fecha de compra

PARTS LIST: DOWN DISCHARGE CONFIGURATION / LISTA DE PIEZAS: CONFIGURACIÓN DE DESCARGA DESCENDENTE

No.					
N°	Description / Descripción	ADA51	ADA5112	ADA71	ADA7112
1.	Top, Cabinet / Tapa De La Caja	222130-070	222130-070	222140-053	222140-053
2.	Top Access Panel / Panel Superior De Acceso.....	222130-074	222130-075	222130-074	222130-075
3.	Bottom, Blower Section / Base De La Sección De La Rueda.....	322130-068	322130-068	322140-051	322140-051
4.	Bottom, Wet Module / Base De La Sección De Agua.....	222130-072	222130-073	222130-072	222130-073
5.	Front Panel / Panel Del Frente.....	222130-076	222130-076	222140-055	222140-055
6.	Inspection Panel (2 req.) / Panel De Inspección (2 req.).....	224130-002	224130-002	224140-002	224140-002
7.	Center Post, Right / Poste Central, Derecho.....	222130-062	222130-062	222140-045	222140-045
8.	Center Post, Left / Poste Central, Izquierdo.....	222130-063	222130-063	222140-046	222140-046
9.	Back Post, Right / Poste Trasero, Derecho.....	222130-064	222130-066	222140-047	222140-049
10.	Back Post, Left / Poste Trasero, Izquierdo.....	222130-065	222130-067	222140-048	222140-050
11.	Blower Housing / Caja De La Rueda	324130-202	324130-202	324140-202	324140-202
12.	Cut-Off Plate / Placa Externa.....	224003-015	224003-015	224004-003	224004-003
13.	Blower Housing Supports (2 req.) / Soporte Para La Caja De La Rueda (2 req.).....	218001-034	218001-034	218001-037	218001-037
14.	Grill / Parrilla.....	222130-078	222130-078	222140-057	222140-057
15.	Electrical Junction Box / Caja De Empalme.....	322009-001	322009-001	322009-001	322009-001
16.	Motor Mount / Montura Del Motor.....	314003-011	314003-011	314003-012	314003-012
17.	Motor Mount Clip Set / Conjunto De Seguros Para Montar Motor.....	314005-001	314005-001	314005-001	314005-001
18.	Motor / Motor.....	*	*	*	*
19.	Pulley, Motor / Polea Del Motor.....	*	*	*	*
20.	Electrical Cord, Motor (115V) / Cable Eléctrico Del Motor (115V).....	110372	110372	110372	110372
20.	Electrical Cord, Motor (230V) / Cable Eléctrico Del Motor (230V).....	§110372-2	§110372-2	§110372-2	§110372-2
21.	Shaft, Blower Wheel / Eje De La Rueda	110183	110183	110183	110183
22.	Blower Wheel / Rueda.....	16BW	16BW	20BW	20BW
23.	Pulley, Blower Wheel / Polea De La Rueda.....	110275	110275	110276	110276
24.	Drive Belt / Correa.....	*	*	*	*
25.	Bearings, Blower Wheel Shaft / Cojinetes Del Eje De La Rueda.....	110351	110351	110351	110351
26.	Receptacle, Motor / Toma De Corriente Del Motor.....	110393	110393	110393	110393
27.	Receptacle, Pump / Toma De Corriente De La Bomba.....	110361	110361	110361	110361
28.	Media Shield Right / Protector Para El Medio Evaporativo, Derecho.....	281043-002	281045-002	281044-002	281046-002
29.	Media Shield Left / Protector Para El Medio Evaporativo, Izquierdo.....	281043-001	281045-001	281044-001	281046-001
30.	Water Distributor Housing / Caja Del Distribuidor De Agua.....	281038-001	281033-001	281038-001	281033-001
31.	Water Distributor Tube / Tubo Del Distribuidor De Agua.....	3D-23	3D-23	3D-23	3D-23
32.	Evaporative Media Set / Conjunto De Medio Evaporativo.....	310117-001	310118-001	310117-002	310118-002
33.	Distributor Filter Pad / Filtro Del Distribuidor.....	110120	110120	110120	110120
34.	Water Reservoir / Bandeja Acumuladora De Agua.....	281041-001	281042-001	281041-001	281042-001
35.	Tube, Water Delivery / Tubo De Agua.....	310716	310716	310716	310716
36.	Over Flow Assembly / Montaje De Desagüe.....	110610	110610	110610	110610
37.	Float Valve / Flotador.....	FL-C	FL-C	FL-C	FL-C
38.	Float Shield / Salpicadero Del Flotador.....	281006	281006	281006	281006
39.	Pump / Bomba.....	110429	110429	110429	110429
41.	Pump Mount / Montura De La Bomba.....	218002-012	218002-012	218002-012	218002-012
42.	Pump Retainer / Sujetador De La Bomba.....	110714	110714	110714	110714
43.	Anti-Flattening Coil / Espiral Protectora.....	110847	110847	110847	110847
44.	Bleed-Off Kit / Equipo De Purga.....	310586	310586	310586	310586

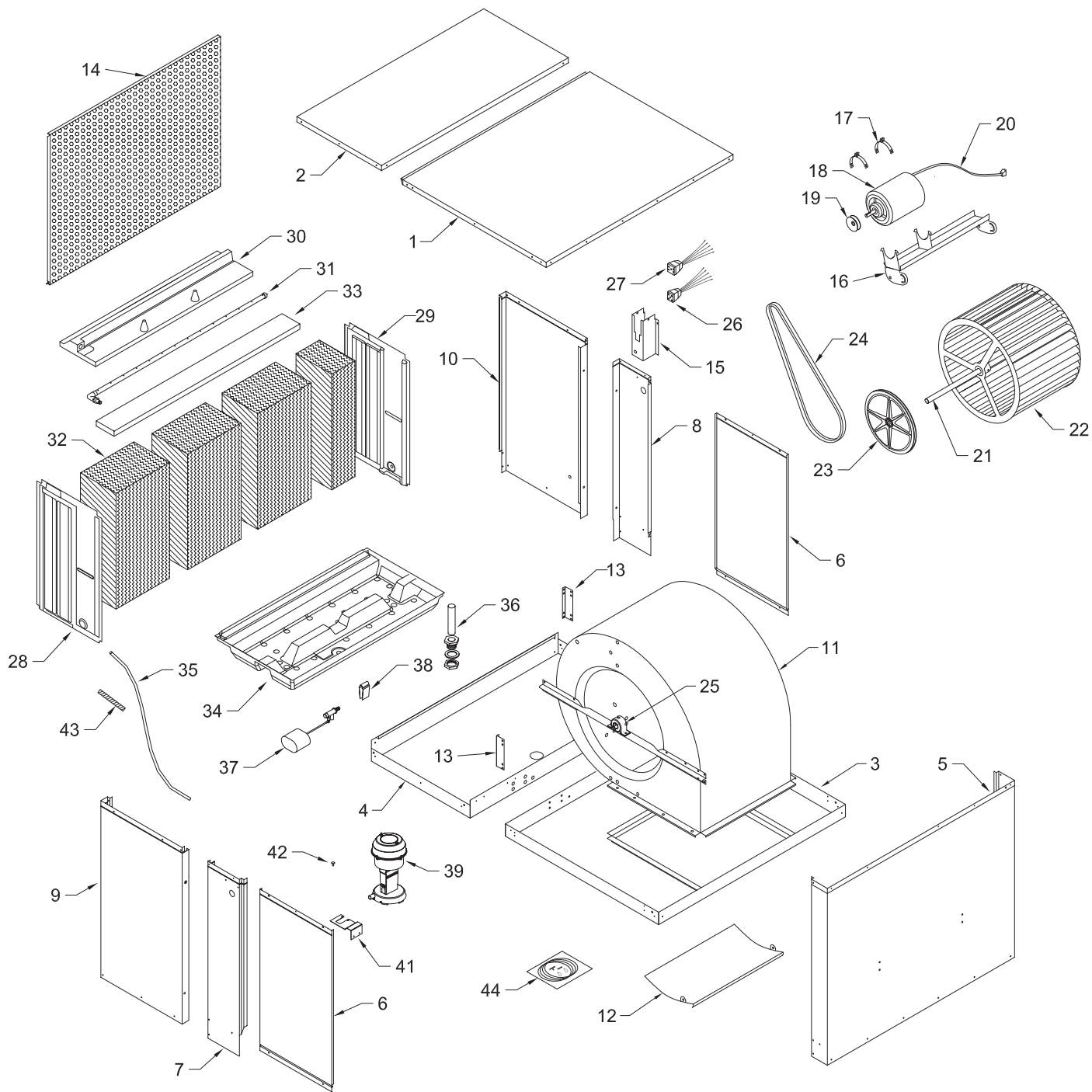
* See the motor specification table. Motor sold separately. / Vea la tabla de especificaciones del motor. Motores se vende por separado.

§ 230V motor cord is optional and not supplied with cooler. / Cable eléctrico del motor de 230V es opcional y no se envía con el enfriador.

NOTE: Standard hardware items may be purchased from your local hardware store.

NOTA: Artículos de uso corriente pueden comprarse en la ferretería de su localidad.

EXPLODED ILLUSTRATION: DOWN DISCHARGE CONFIGURATION / ILUSTRACIÓN DE PIEZAS: CONFIGURACIÓN DE DESCARGA DESCENDENTE



PARTS LIST: SIDE DISCHARGE CONFIGURATION / LISTA DE PIEZAS: CONFIGURACIÓN DE DESCARGA LATERAL

No.	Description / Descripción	ASA51	ASA5112	ASA71	ASA7112
1.	Top, Cabinet / Tapa De La Caja	222130-070	222130-070	222140-053	222140-053
2.	Top Access Panel / Panel Superior De Acceso	222130-074	222130-075	222130-074	222130-075
3.	Bottom, Blower Section / Base De La Sección De La Rueda	322130-069	322130-069	322140-052	322140-052
4.	Bottom, Wet Module / Base De La Sección De Agua	222130-072	222130-073	222130-072	222130-073
5.	Front Panel / Panel Del Frente.....	322130-077	322130-077	322140-056	322140-056
6.	Inspection Panel (2 req.) / Panel De Inspección (2 req.)	224130-002	224130-002	224140-002	224140-002
7.	Center Post, Right / Poste Central, Derecho	222130-062	222130-062	222140-045	222140-045
8.	Center Post, Left / Poste Central, Izquierdo.....	222130-063	222130-063	222140-046	222140-046
9.	Back Post, Right / Poste Trasero, Derecho.....	222130-064	222130-066	222140-047	222140-049
10.	Back Post, Left / Poste Trasero, Izquierdo.....	222130-065	222130-067	222140-048	222140-050
11.	Blower Housing / Caja De La Rueda	324130-203	324130-203	324140-203	324140-203
12.	Cut-Off Plate / Placa Externa	224003-015	224003-015	224004-003	224004-003
13a.	Blower Housing Support, Right / Soporte Para La Caja De La Rueda, Derecho.....	218001-035	218001-035	218001-038	218001-038
13b.	Blower Housing Support, Left / Soporte Para La Caja De La Rueda, Izquierdo.....	218001-036	218001-036	218001-038	218001-038
14.	Grill / Parrilla.....	222130-078	222130-078	222140-057	222140-057
15.	Electrical Junction Box / Caja De Empalme.....	322009-001	322009-001	322009-001	322009-001
16.	Motor Mount / Montura Del Motor	314003-011	314003-011	314003-012	314003-012
17.	Motor Mount Clip Set / Conjunto De Seguros Para Montar Motor.....	314005-001	314005-001	314005-001	314005-001
18.	Motor / Motor.....	*	*	*	*
19.	Pulley, Motor / Polea Del Motor.....	*	*	*	*
20.	Electrical Cord, Motor (115V) / Cable Eléctrico Del Motor (115V).....	110372	110372	110372	110372
20.	Electrical Cord, Motor (230V) / Cable Eléctrico Del Motor (230V).....	§110372-2	§110372-2	§110372-2	§110372-2
21.	Shaft, Blower Wheel / Eje De La Rueda	110183	110183	110183	110183
22.	Blower Wheel / Rueda	16BW	16BW	20BW	20BW
23.	Pulley, Blower Wheel / Polea De La Rueda	110275	110275	110276	110276
24.	Drive Belt / Correa.....	*	*	*	*
25.	Bearings, Blower Wheel Shaft / Cojinetes Del Eje De La Rueda.....	110351	110351	110351	110351
26.	Receptacle, Motor / Toma De Corriente Del Motor	110393	110393	110393	110393
27.	Receptacle, Pump / Toma De Corriente De La Bomba.....	110361	110361	110361	110361
28.	Media Shield, Right / Protector Para El Medio Evaporativo, Derecho	281043-002	281045-002	281044-002	281046-002
29.	Media Shield, Left / Protector Para El Medio Evaporativo, Izquierdo	281043-001	281045-001	281044-001	281046-001
30.	Water Distributor Housing / Caja Del Distribuidor De Agua	281038-001	281033-001	281038-001	281033-001
31.	Water Distributor Tube / Tubo Del Distribuidor De Agua.....	3D-23	3D-23	3D-23	3D-23
32.	Evaporative Media Set / Conjunto De Medio Evaporativo	310117-001	310118-001	310117-002	310118-002
33.	Distributor Filter Pad / Filtro Del Distribuidor.....	110120	110120	110120	110120
34.	Water Reservoir / Bandeja Acumuladora De Agua	281041-001	281042-001	281041-001	281042-001
35.	Tube, Water Delivery / Tubo De Agua.....	310716	310716	310716	310716
36.	Over Flow Assembly / Montaje De Desagüe.....	110610	110610	110610	110610
37.	Float Valve / Flotador	FL-C	FL-C	FL-C	FL-C
38.	Float Shield / Salpicadero Del Flotador.....	281006	281006	281006	281006
39.	Pump / Bomba	110429	110429	110429	110429
41.	Pump Mount / Montura De La Bomba.....	218002-012	218002-012	218002-012	218002-012
42.	Pump Retainer / Sujetador De La Bomba.....	110714	110714	110714	110714
43.	Anti-Flattening Coil / Espiral Protectora	110847	110847	110847	110847
44.	Bleed-Off Kit / Equipo De Purga.....	310586	310586	310586	310586

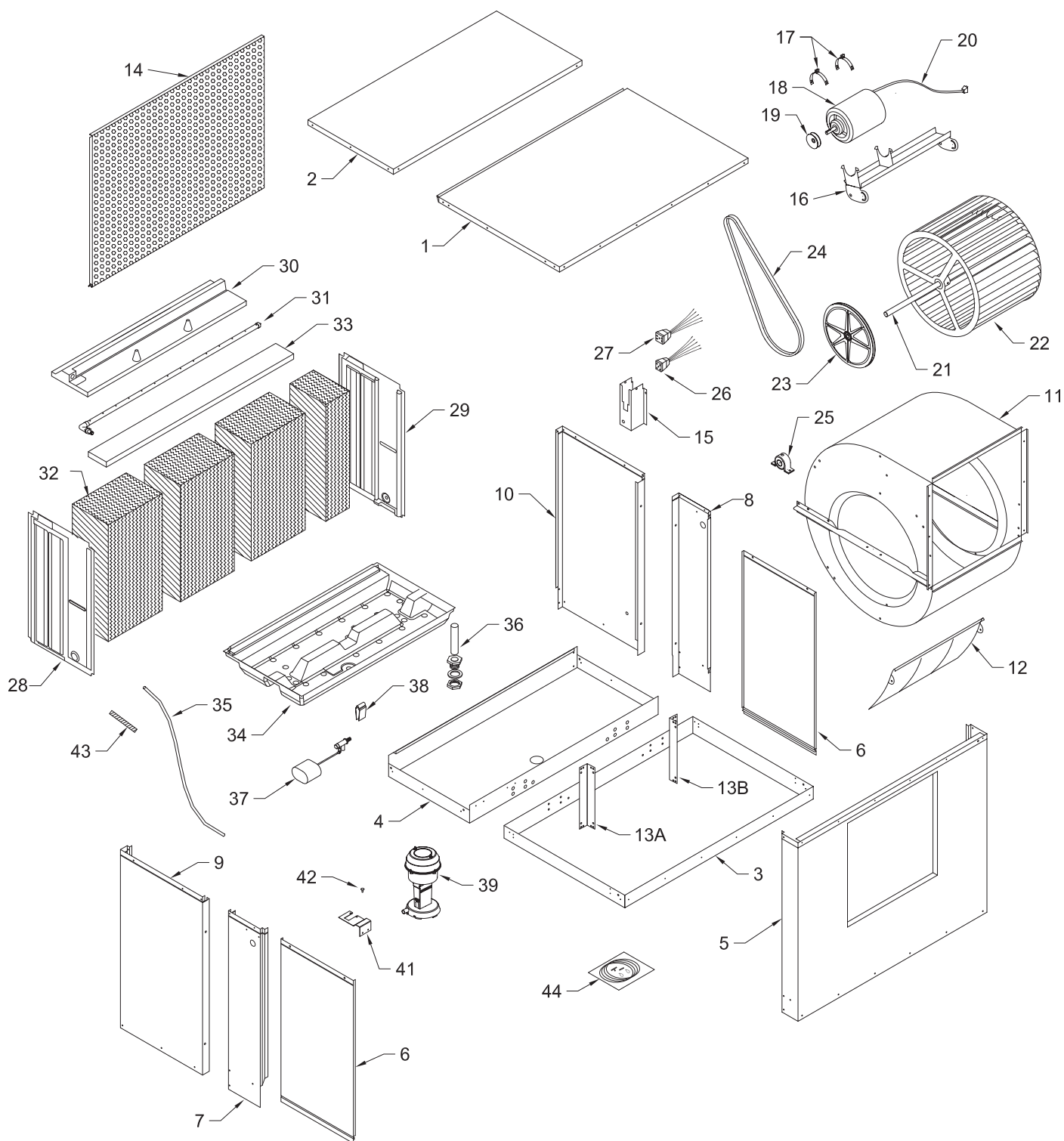
* See the motor specification table. Motor sold separately. / *Vea la tabla de especificaciones del motor. Motores se vende por separado.*

§ 230V motor cord is optional and not supplied with cooler. / *Cable eléctrico del motor de 230V es opcional y no se envía con el enfriador.*

NOTE: Standard hardware items may be purchased from your local hardware store.

NOTA: Artículos de uso corriente pueden comprarse en la ferretería de su localidad.

**EXPLODED ILLUSTRATION: SIDE DISCHARGE CONFIGURATION /
ILUSTRACIÓN DE PIEZAS: CONFIGURACIÓN DE DESCARGA LATERAL**



PARTS LIST: UP DISCHARGE CONFIGURATION / LISTA DE PIEZAS: CONFIGURACIÓN DE DESCARGA SUPERIOR

No.

N°	Description / Descripción	AUA51	AUA5112	AUA71	AUA7112
1.	Top, Cabinet / Tapa De La Caja	322130-071	322130-071	322140-054	322140-054
2.	Top Access Panel / Panel Superior De Acceso.....	222130-074	222130-075	222130-074	222130-075
3.	Bottom, Blower Section / Base De La Sección De La Rueda.....	322130-069	322130-069	322140-052	322140-052
4.	Bottom, Wet Module / Base De La Sección De Agua.....	222130-072	222130-073	222130-072	222130-073
5.	Front Panel / Panel Del Frente.....	222130-079	222130-079	222140-058	222140-058
6.	Inspection Panel (2 req.) / Panel De Inspección (2 req.).....	224130-002	224130-002	224140-002	224140-002
7.	Center Post, Right / Poste Central, Derecho.....	222130-062	222130-062	222140-045	222140-045
8.	Center Post, Left / Poste Central, Izquierdo.....	222130-063	222130-063	222140-046	222140-046
9.	Back Post, Right / Poste Trasero, Derecho.....	222130-064	222130-066	222140-047	222140-049
10.	Back Post, Left / Poste Trasero, Izquierdo.....	222130-065	222130-067	222140-048	222140-050
11.	Blower Housing / Caja De La Rueda	324130-204	324130-204	324140-204	324140-204
12.	Cut-Off Plate / Placa Externa.....	224003-015	224003-015	224004-003	224004-003
13.	Blower Support Bracket (2 req.) / Soporte Para La Caja De La Rueda (2 req.).....	218123-001	218123-001	218001-038	218001-038
14.	Grill / Parrilla.....	222130-078	222130-078	222140-057	222140-057
15.	Electrical Junction Box / Caja De Empalme.....	322009-001	322009-001	322009-001	322009-001
16.	Motor Mount / Montura Del Motor	314003-011	314003-011	314003-012	314003-012
17.	Motor Mount Clip Set / Conjunto De Seguros Para Montar Motor.....	314005-001	314005-001	314005-001	314005-001
18.	Motor / Motor.....	*	*	*	*
19.	Pulley, Motor / Polea Del Motor.....	*	*	*	*
20.	Electrical Cord, Motor (115V) / Cable Eléctrico Del Motor (115V).....	110372	110372	110372-1	110372-1
20.	Electrical Cord, Motor (230V) / Cable Eléctrico Del Motor (230V).....	§110372-2	§110372-2	§110372-2	§110372-2
21.	Shaft, Blower Wheel / Eje De La Rueda	110183	110183	110183	110183
22.	Blower Wheel / Rueda	16BW	16BW	20BW	20BW
23.	Pulley, Blower Wheel / Polea De La Rueda	110275	110275	110276	110276
24.	Drive Belt / Correa.....	*	*	*	*
25.	Bearings, Blower Wheel Shaft / Cojinetes Del Eje De La Rueda.....	110351	110351	110351	110351
26.	Receptacle, Motor / Toma De Corriente Del Motor	110393	110393	110393	110393
27.	Receptacle, Pump / Toma De Corriente De La Bomba.....	110361	110361	110361	110361
28.	Media Shield, Right / Protector Para El Medio Evaporativo, Derecho.....	281043-002	281045-002	281044-002	281046-002
29.	Media Shield, Left / Protector Para El Medio Evaporativo, Izquierdo.....	281043-001	281045-001	281044-001	281046-001
30.	Water Distributor Housing / Caja Del Distribuidor De Agua.....	281038-001	281033-001	281038-001	281033-001
31.	Water Distributor Tube / Tubo Del Distribuidor De Agua.....	3D-23	3D-23	3D-23	3D-23
32.	Evaporative Media Set / Conjunto De Medio Evaporativo.....	310117-001	310118-001	310117-002	310118-002
33.	Distributor Filter Pad / Filtro Del Distribuidor.....	110120	110120	110120	110120
34.	Water Reservoir / Bandeja Acumuladora De Agua.....	281041-001	281042-001	281041-001	281042-001
35.	Tube, Water Delivery / Tubo De Agua.....	310716	310716	310716	310716
36.	Over Flow Assembly / Montaje De Desagüe.....	110610	110610	110610	110610
37.	Float Valve / Flotador	FL-C	FL-C	FL-C	FL-C
38.	Float Shield / Salpicadero Del Flotador.....	281006	281006	281006	281006
39.	Pump / Bomba	110429	110429	110429	110429
41.	Pump Mount / Montura De La Bomba.....	218002-012	218002-012	218002-012	218002-012
42.	Pump Retainer / Sujetador De La Bomba.....	110714	110714	110714	110714
43.	Anti-Flattening Coil / Espiral Protectora	110847	110847	110847	110847
44.	Bleed-Off Kit / Equipo De Purga.....	310586	310586	310586	310586

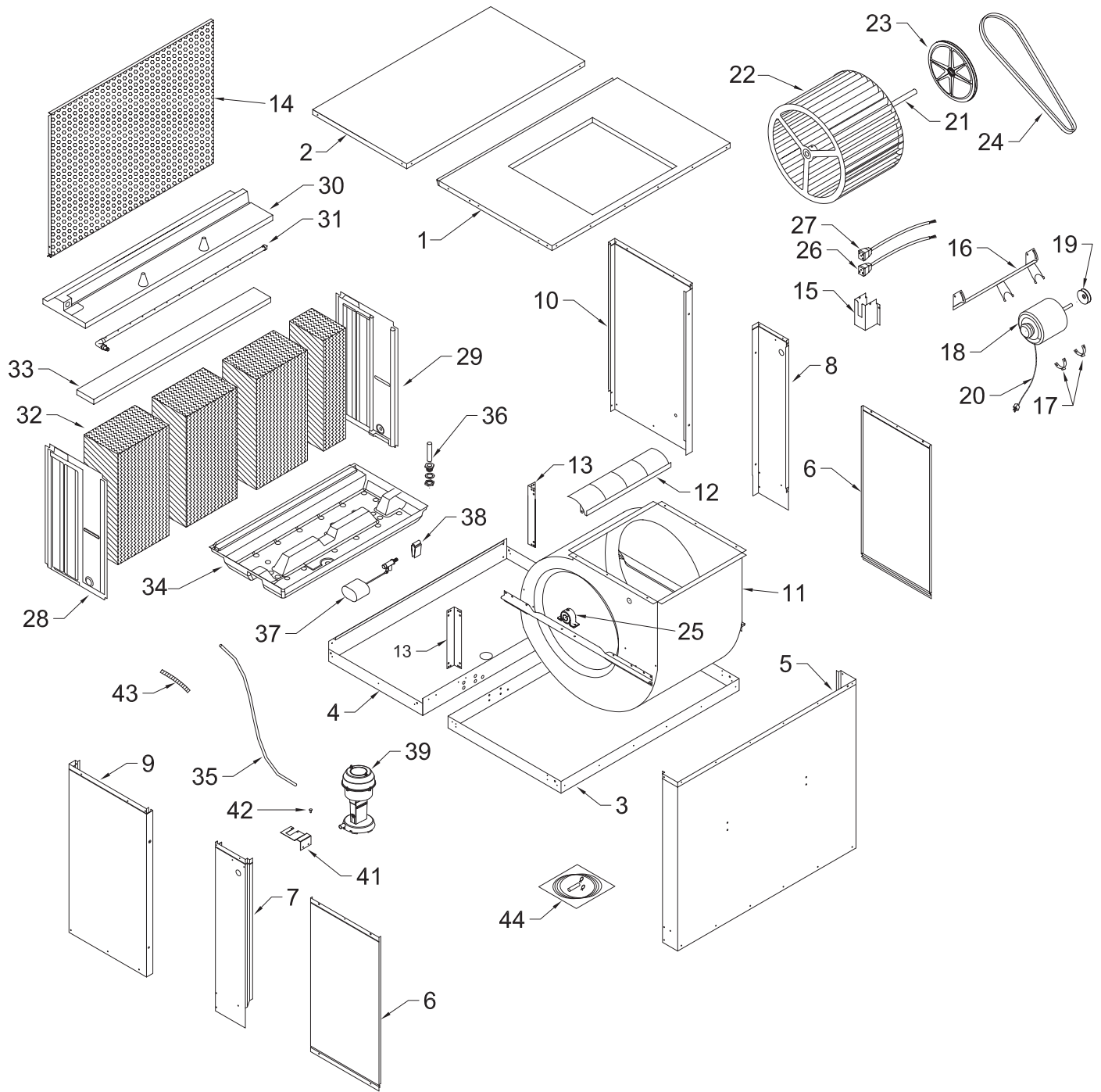
* See the motor specification table. Motor sold separately. / *Vea la tabla de especificaciones del motor. Motores se vende por separado.*

§ 230V motor cord is optional and not supplied with cooler. / *Cable eléctrico del motor de 230V es opcional y no se envía con el enfriador.*

NOTE: Standard hardware items may be purchased from your local hardware store.

NOTA: Artículos de uso corriente pueden comprarse en la ferretería de su localidad.

**EXPLODED ILLUSTRATION: UP DISCHARGE CONFIGURATION /
ILUSTRACIÓN DE PIEZAS: CONFIGURACIÓN DE DESCARGA SUPERIOR**



POLÍTICA DE GARANTÍA LIMITADA

PARA CUALQUIER RECLAMO RELACIONADO CON LA GARANTÍA ES NECESARIO PRESENTAR EL RECIBO COMO PRUEBA DE COMPRA.

Esta garantía se extiende solo al comprador original de este enfriador evaporativo, siempre y cuando la unidad sea instalada y utilizada en condiciones normales, contra defectos de fabricación y materiales como se detalla a continuación:

- Un (1) año a partir de la fecha de la venta de los componentes del gabinete.
- Cinco (5) años para el medio evaporativo, que se considera componente desechable y debe reemplazarse periódicamente.
- Dos (2) años para el motor original si es proporcionado por Champion Cooler.

El fabricante reemplazará la parte o producto defectuoso, según lo crea conveniente. Se acuerda que el reemplazo es la única solución que el fabricante tiene disponible. ASIMISMO, HASTA EL GRADO MÁXIMO PERMITIDO POR LA LEY, EL FABRICANTE NO SE HACE RESPONSABLE POR LOS DAÑOS DE CUALQUIER TIPO, INCLUIDOS DAÑOS INCIDENTALES Y EMERGENTES, O LA PÉRDIDA DE GANANCIAS O INGRESOS.

Algunos estados no permiten limitaciones con respecto a cuánto tiempo dura una garantía implícita, por lo tanto es posible que las limitaciones detalladas anteriormente no se apliquen a usted.

Exclusiones De Esta Garantía

No nos responsabilizamos por cualquier tipo de daños accidentales o resultantes, producto de cualquier tipo de mal funcionamiento, accidente, mal uso, alteraciones, reparaciones no autorizadas, abuso, incluidos la falta de mantenimiento razonable, uso o desgaste normal.

Las alteraciones que puede sufrir el producto incluyen la sustitución de componentes de marca, incluido, pero no limitado al medio evaporativo.

No nos responsabilizamos por cualquier daño provocado por el uso de suavizantes o tratamientos de agua, químicos o materiales de descalcificación.

No nos responsabilizamos por el costo de las llamadas al servicio para diagnosticar la causa del problema o el cargo de la mano de obra para reparar o reemplazar piezas.

Los empleados, agentes, distribuidores u otras personas no se encuentran autorizados a brindar garantías o condiciones en nombre del fabricante. El cliente será responsable por todos los costos de mano de obra incurridos.

Algunos estados no permiten la exclusión o la limitación de daños incidentales o resultantes, por lo tanto es posible que las limitaciones o exclusiones detalladas anteriormente no se apliquen a usted.

Cómo Obtener Servicio Bajo Esta Garantía

Dentro de las limitaciones de la presente garantía, el comprador que tenga unidades fuera de funcionamiento debe comunicarse con el concesionario donde compró el enfriador. Si por alguna razón no queda satisfecho con la respuesta por parte del concesionario, debe comunicarse con el servicio de atención al cliente al 800-643-8341 para obtener instrucciones sobre cómo obtener servicio dentro de la garantía, como se indica anteriormente.

Esta garantía le confiere al cliente derechos específicos. Además, el cliente puede gozar de otros derechos que varían según la provincia o el estado.

Registre su producto en www.championcooler.com.



Champion Cooler
5800 Murray St. • Little Rock, AR 72209
www.championcooler.com