

# Owner's Operation and Instruction Manual

---



**MODEL: 3000 (L), (LN)**

CERTIFIED FOR USA and CANADA  
SAFETY TESTED TO UL 1482-2010 and ULC-S627-2000  
WASHINGTON STATE APPROVED

**U.S. Environmental Protection Agency**  
Certified to comply with 2015 particulate emissions standards.

## CAUTION!

Please read this entire manual before you install or use your new room heater. Failure to follow instructions may result in property damage, bodily injury, or even death.

Improper Installation Could Void  
Your Warranty!

## SAFETY NOTICE:

If this heater is not properly installed, a house fire may result. For your safety, follow the installation instructions. Never use make-shift compromises during the installation of this heater. Contact local building or fire officials about permits, restrictions and installation requirements in your area.

## SAVE THESE INSTRUCTIONS

THIS MANUAL WILL HELP YOU TO OBTAIN EFFICIENT, DEPENDABLE SERVICE FROM THE HEATER, AND ENABLE YOU TO ORDER REPAIR PARTS CORRECTLY. KEEP IN A SAFE PLACE FOR FUTURE REFERENCE.

French version is available for download from the United States Stove Company website: <http://www.usstove.com/>  
La version française est disponible pour téléchargement à partir du site United States Stove Company: <http://www.usstove.com/>

## United States Stove Company

227 Industrial Park Road  
P.O. Box 151  
South Pittsburg, TN 37380



**Intertek**

851879F-1701G

# CONGRATULATIONS!

You've purchased a heater from North America's oldest manufacturer of wood burning products.

By heating with wood you're helping to CONSERVE ENERGY!

Wood is our only Renewable Energy Resource. Please do your part to preserve our wood supply. Plant at least one tree each year. Future generations will thank you.

The instructions pertaining to the installation of your wood stove comply with UL-1482 and ULC-S627 standards.

This manual describes the installation and operation of the Country Hearth, 3000 wood heater. This heater meets the 2015 U.S. Environmental Protection Agency's crib wood emission limits for wood heaters sold after May 15, 2015. Under specific test conditions this heater has been shown to deliver heat at rates ranging from 11,624 to 38,140 Btu/hr.

Note: The BTU ratings mentioned above are based on the EPA test protocol burning dimensional Douglas Fir lumber. Our advertised BTU's are based on the first hour of operation at high burn rate burning cordwood.

Combustible :	Wood
Colors :	Metallic Black
Flue Pipe Diameter :	6" (152.5mm)
Flue Pipe Type: (Standard Single Wall):	Black or Blued Steel 2100°F (650°C)
Minimum Chimney Height :	12' (3.7m)
Maximum Log Length :	21" (533.5mm)
Dimensions	
Overall : Depth x Width x Height :	29 1/2" x 27" x 28 5/8" (749mm x 686mm x 727mm)
Combustion Chamber : Width x Depth :	22 3/4" x 21" (578mm x 533mm)
Volume : Cubic Feet:	3.11 ft <sup>3</sup> (.0881m <sup>3</sup> )
Door Opening : Width x Height:	16" x 8" (406.5mm x 203mm)
Pyroceramic Glass Door : (Viewing) Width x Height:	13 13/16" x 8 3/8" (351mm x 213mm)
Weight (lbs):	375 lbs (170kg)

## CAUTIONS:

- HOT WHILE IN OPERATION. KEEP CHILDREN, CLOTHING AND FURNITURE AWAY. CONTACT MAY CAUSE SKIN BURNS.
- DO NOT USE CHEMICALS OR FLUIDS TO IGNITE THE FIRE.
- DO NOT LEAVE THE STOVE UNATTENDED WHEN THE DOOR IS SLIGHTLY OPENED.
- DO NOT CONNECT TO ANY AIR DISTRIBUTION DUCT OR SYSTEM.
- ALWAYS CLOSE THE DOOR AFTER THE IGNITION.

NOTE: REGISTER YOUR PRODUCT ON LINE AT [WWW.USSTOVE.COM](http://WWW.USSTOVE.COM). SEE "LIMITED WARRANTY" SECTION FOR SPECIFIC WARRANTY INFORMATION FOR YOUR NEW PURCHASE. SAVE YOUR RECEIPT WITH YOUR RECORDS FOR ANY CLAIMS.

## TOOLS AND MATERIALS NEEDED FOR INSTALLATION

You will need a drill with a 1/8" bit to install sheet metal screws into connector pipe. A 5/16" socket/wrench or screw driver to install pedestal trim, room air deflector, and blower assembly described below. A 1/2" socket/wrench to install flue collar. A non-combustible floor protector as specified in this manual. All chimney and chimney connector components required for your particular chimney installation.

The stove is attached to the shipping pallet by two bolts located under the pedestal trim piece. See the pedestal trim assembly section for more details.

## ASSEMBLY

### Flue Collar Assembly:

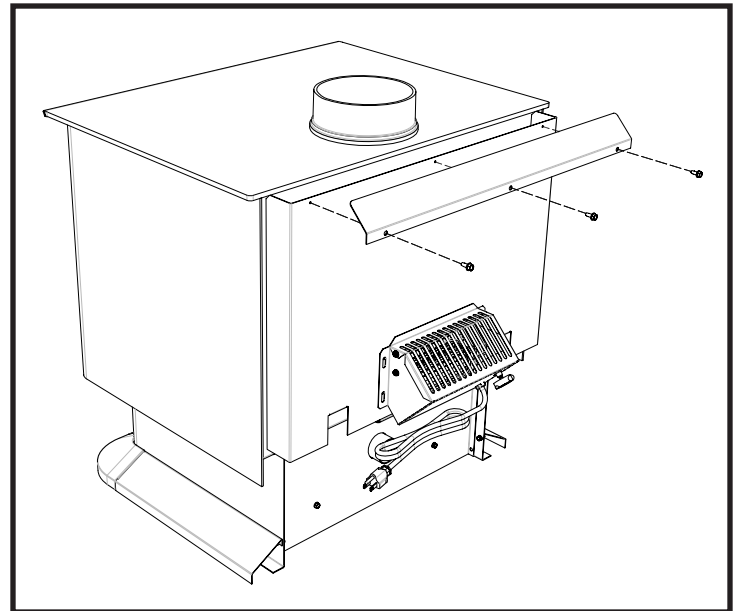
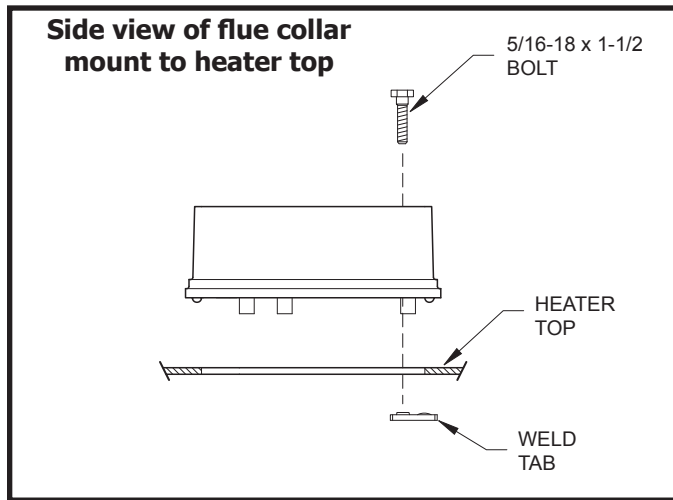
1. Mount the flue collar to the top of the unit as shown using the (3) 5/16-18 x 1-1/2 bolts, (3) washers, and (3) weld tabs provided in the parts box.

### Room Air Deflector Assembly:

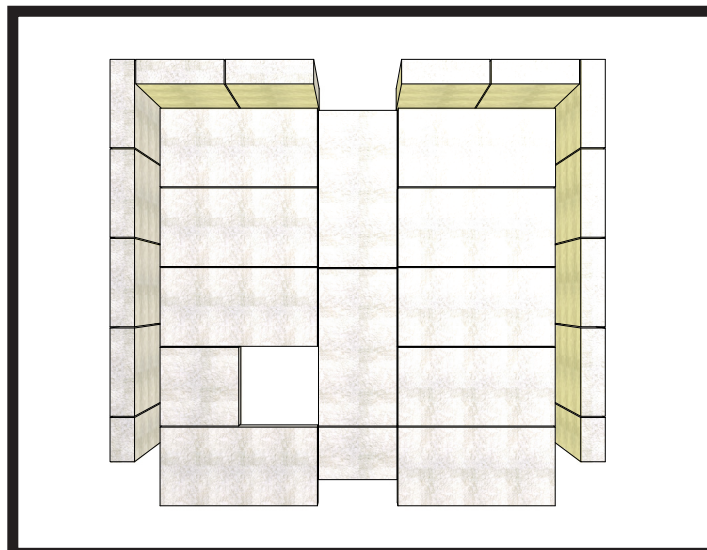
1. Locate the Room Air Deflector. Using the three (3) 1/2 Tek Screws provided, mount the deflector to the unit as shown in the diagram.

### Firebrick Configuration:

1. Replace the Firebrick as shown in the illustration below.



Brick Configuration



## ASSEMBLY INSTRUCTIONS

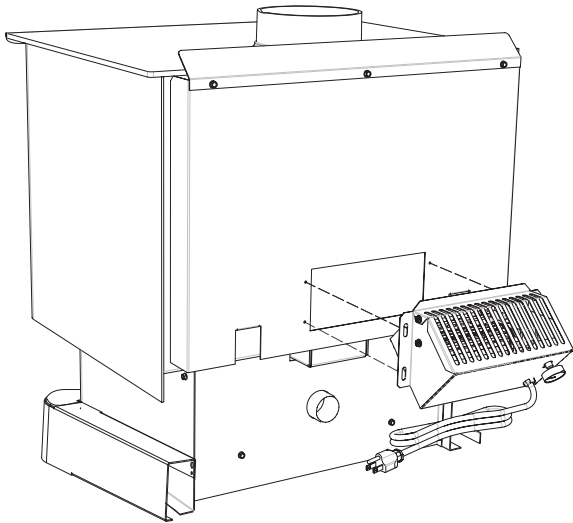
### Blower Assembly

THE BLOWER ASSEMBLY MUST BE DISCONNECTED FROM THE SOURCE OF ELECTRICAL SUPPLY BEFORE ATTEMPTING THE INSTALLATION.

THE BLOWER ASSEMBLY IS INTENDED FOR USE ONLY WITH A STOVE THAT IS MARKED TO INDICATE SUCH USE.

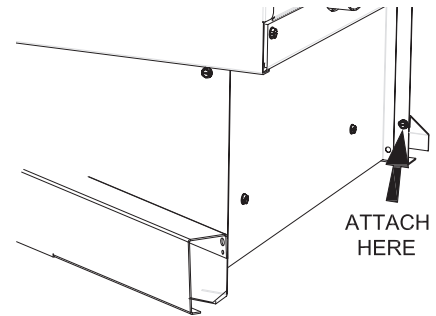
DO NOT ROUTE THE SUPPLY CORD NEAR OR ACROSS HOT SURFACES!

Fix the assembly to the back of the stove with the four screws provided.



### Pedestal Trim Assembly

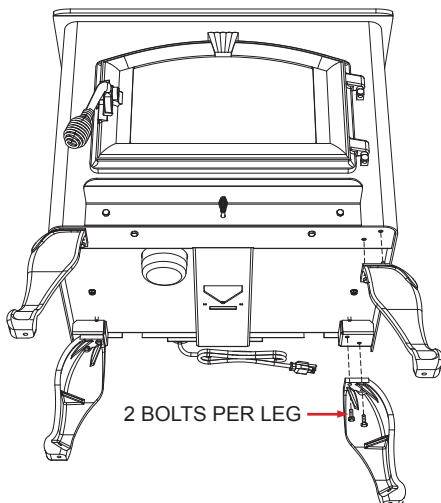
Attach to the pedestal base at the location shown using the screws provided.



### LEG ASSEMBLY

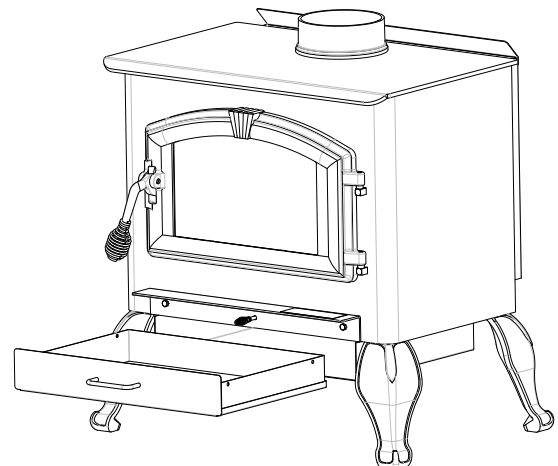
If not already installed or for purpose of repair, follow these directions. Because of this heater's weight, we suggest getting assistance maneuvering it into position.

Begin by removing all the firebrick. Carefully roll the heater onto its side, placing a couple wooden blocks to hold the heater off the legs. A piece of carpet would also help reduce the chances of scratching the unit. Once you've attached the legs with the supplied hardware, stand the heater back on its legs.



### ASH PAN ASSEMBLY

If not already installed, slide the ash pan inside the ash pan housing.



## **INSTALLATION**

### **SAFETY NOTICE**

- IF THIS STOVE IS NOT PROPERLY INSTALLED, A HOUSE FIRE MAY RESULT. TO REDUCE THE RISK OF FIRE, FOLLOW THE INSTALLATION INSTRUCTIONS.
- THIS STOVE IS NOT APPROVED FOR INSTALLATION IN A MANUFACTURED OR MOBILE HOME.
- CONSULT YOUR MUNICIPAL BUILDING DEPARTMENT OR FIRE OFFICIALS ABOUT PERMITS, RESTRICTIONS AND INSTALLATIONS REQUIREMENTS IN YOUR AREA.
- USE SMOKE DETECTORS IN THE ROOM WHERE YOUR STOVE IS INSTALLED.
- KEEP FURNITURE AND DRAPES WELL AWAY FROM THE STOVE.
- NEVER USE GASOLINE, GASOLINE-TYPE LANTERN FUEL, KEROSENE, CHARCOAL LIGHTER FLUID, OR SIMILAR LIQUIDS TO START OR “FRESHEN UP” A FIRE IN THIS HEATER. KEEP ALL SUCH LIQUIDS WELL AWAY FROM THE HEATER WHILE IT IS IN USE.
- IN THE EVENT OF A CHIMNEY FIRE, PUSH THE AIR CONTROL FULL CLOSED TO DEPRIVE THE FIRE OF OXYGEN. CALL THE FIRE DEPARTMENT.
- DO NOT CONNECT TO ANY AIR DISTRIBUTION DUCT OR SYSTEM.
- A SOURCE OF FRESH AIR INTO THE ROOM OR SPACE HEATED SHALL BE PROVIDED WHEN REQUIRED.

### **POSITIONING THE STOVE**

It is very important to position the wood stove as close as possible to the chimney, and in an area that will favor the most efficient heat distribution possible throughout the house. The stove must therefore be installed in the room where the most time is spent, and in the most spacious room possible. Recall that wood stoves produce radiating heat, the heat we feel when we are close to a wood stove. A wood stove also functions by convection, that is through the displacement of hot air accelerated upwards and its replacement with cooler air. If necessary, the hot air distribution from the stove may be facilitated by the installation of a blower.

The wood stove must not be hooked up to a hot air distribution system since an excessive accumulation of heat may occur. A wood stove must never be installed in a hallway or near a staircase, since it may block the way in case of fire or fail to respect required clearances.

# FLOOR PROTECTOR

Your wood stove should be placed on a 1 inch, non-combustible surface with a k factor of 0.84. For multiple layers, add R-values of each layer to determine the overall R-value. The R value for the required board is 1.2. If there is a horizontal section of chimney connector, the floor protector should go under it and 2 inches beyond each side of the chimney connector.

Convert specification to R-value:

k-factor is given with a required thickness (T) in inches:  $R=1/k \times T$

C-factor is given:  $R=1/C$

Example:

If the floor protector is 4” brick with a C-factor of 1.25 over 1/8” mineral board with a “k” factor of 0.29 the total R-value of the system is:

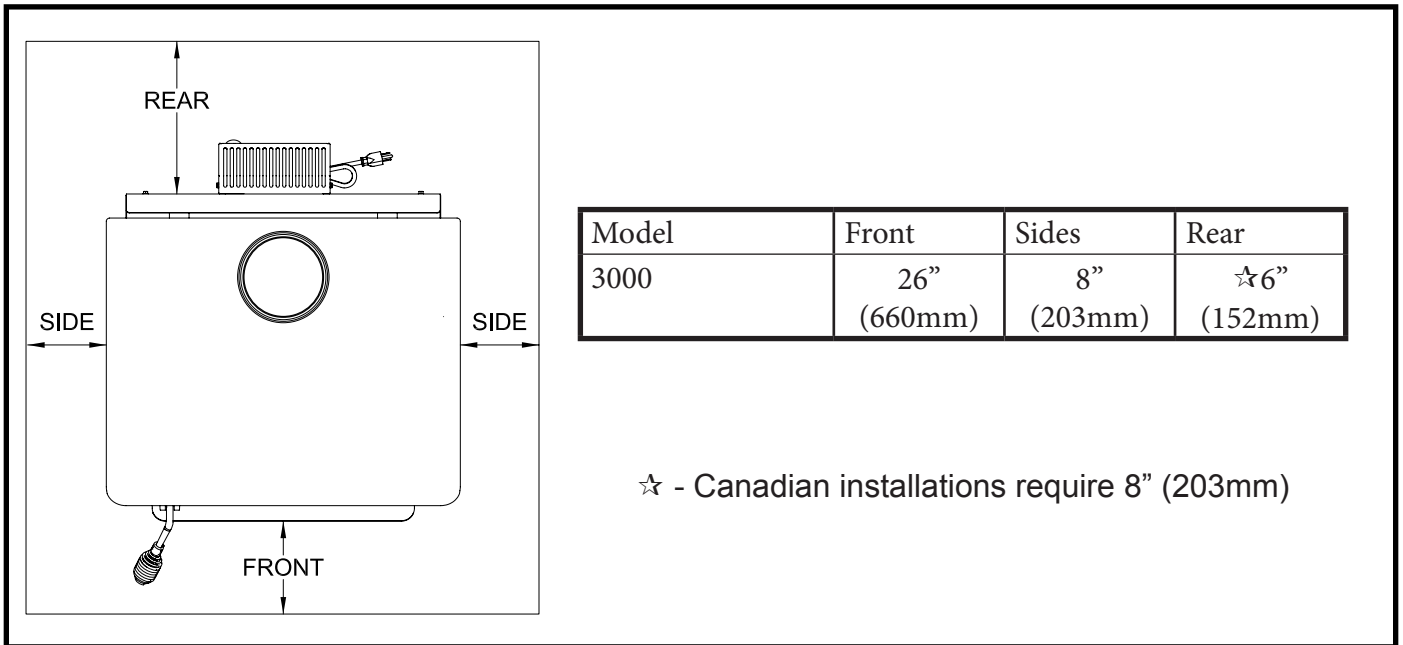
4” brick  $C=1.25$ ,  $R=1/1.25=0.8$

1/8” mineral board  $K=0.29$ ,  $R=1/0.29 \times 0.125=0.431$

Total  $R = R_{brick} + R_{mineral} = 0.8 + 0.431 = 1.231$

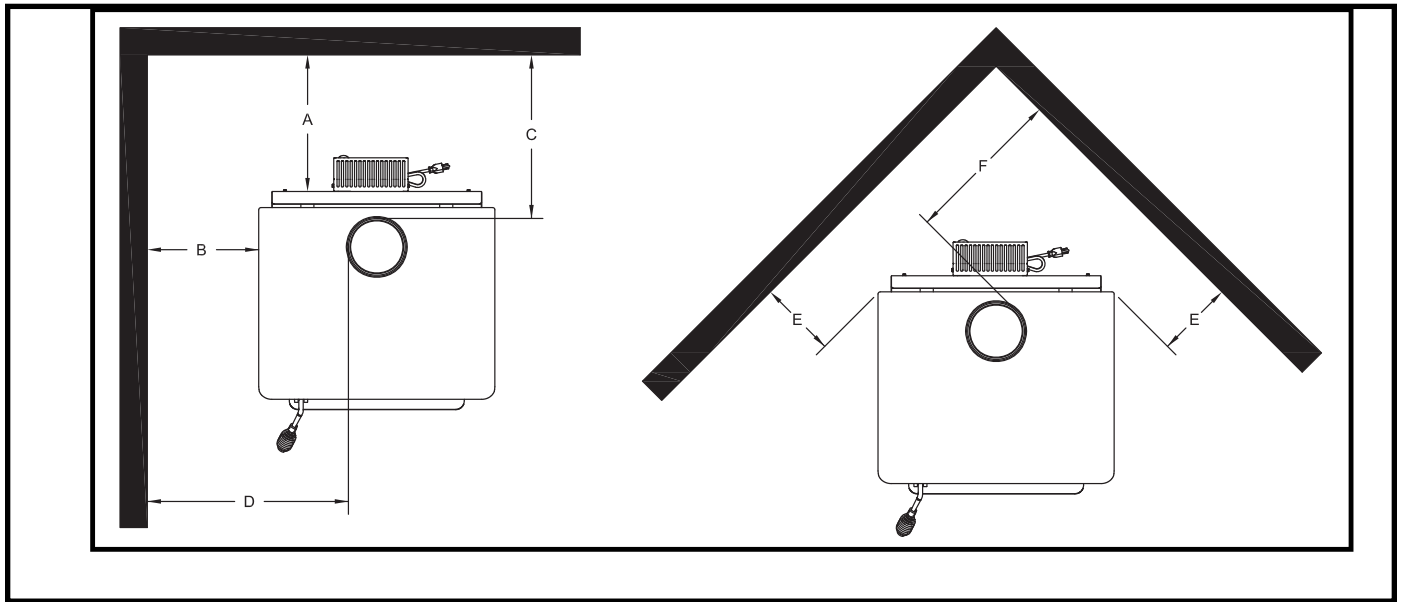
Total R is greater than 1.2, the system is acceptable.

The floor protector should exceed the stove as follows:



## CLEARANCES TO COMBUSTIBLES

It is of utmost importance that the clearances to combustible materials be strictly adhered to during installation of the stove. Refer to the tables below :



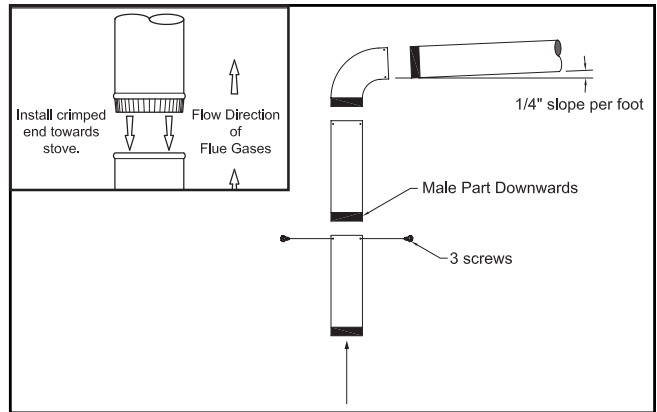
### Single Wall Pipe

Model	A	B	C	D	E	F
3000	14 (358mm)	20 (508mm)	17.5 (445mm)	30.5 (775mm)	11 (279mm)	24 (610mm)

- Floor to ceiling height must be at least 7' (2.13m) in all cases.
- Do not place any combustible material within 4' (1.2m) of the front of the unit.
- The clearance between the flue pipe and a wall are valid only for vertical walls and for vertical flue pipe.
- The chimney connector must not pass through an attic or roof space, closet or similar concealed space, a floor, or a ceiling.
- For Canadian installations, where passage through a wall, or partition of combustible construction is desired, the installation must conform to CAN/CSA-B365.
- A flue pipe crossing a combustible wall must have a minimum clearance of 18" (457.2mm).
- To reduce clearances from combustible materials, contact your local safety department.

## CHIMNEY CONNECTOR (STOVE PIPE)

Your chimney connector and chimney must have the same diameter as the stove outlet (6"). If this is not the case, we recommend you contact your dealer in order to insure there will be no problem with the draft. The stove pipe must be made of aluminized or cold roll steel with a minimum thickness of 0.021" or 0.53 mm. It is strictly forbidden to use galvanized steel. Your smoke pipe should be assembled in such a way that the male section (crimped end) of the pipe faces down. Attach each of the sections to one another with three equidistant metal screws. The pipe must be short and straight. All sections installed horizontally must slope at least 1/4 inch per foot, with the upper end of the section toward the chimney. Any installation with a horizontal run of chimney pipe must conform to NFPA 211. You may contact NFPA (National Fire Protection Association) and request the latest edition of the NFPA Standard 211. To insure a good draft, the total length



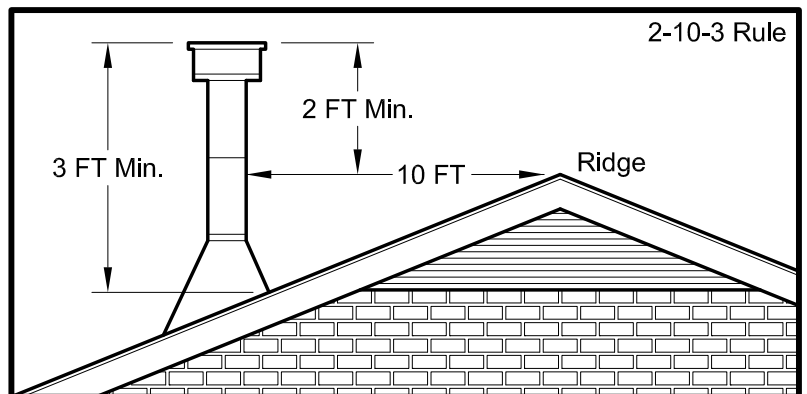
of the coupling pipe should never exceed 8' to 10' (2.4m to 3.04 m). (Except for cases of vertical installation, cathedral-roof style where the smoke exhaust system can be much longer and connected without problem to the chimney at the ceiling of the room). There should never be more than two 90 degrees elbows in the smoke exhaust system. Installation of a "barometric draft stabilizer" (fireplace register) on a smoke exhaust system is prohibited. Furthermore, installation of a draft damper is not recommended. Indeed, with a controlled combustion wood stove, the draft is regulated upon intake of the combustion air in the stove and not at the exhaust.

## IMPORTANCE OF PROPER DRAFT

Draft is the force which moves air from the appliance up through the chimney. The amount of draft in your chimney depends on the length of the chimney, local geography, nearby obstructions and other factors. Too much draft may cause excessive temperatures in the appliance. Inadequate draft may cause backpuffing into the room and 'plugging' of the chimney. Inadequate draft will cause the appliance to leak smoke into the room through appliance and chimney connector joints. An uncontrollable burn or excessive temperature indicates excessive draft.

## CHIMNEY

Your wood stove may be hooked up with a 6" factory built or masonry chimney. If you are using a factory built chimney, it must comply with UL 103 or CSA-B365 standard; therefore it must be a Type HT (2100°F). It is extremely important that it be installed according to the manufacturer's specifications. Take into account the chimney's location to insure it is not too close to neighbors or in a valley which may cause unhealthy or nuisance conditions. If you are using a masonry chimney, it is important that it be built in compliance with the specifications of the National Building Code. It must be lined with fire clay bricks, metal or clay tiles sealed together with fire cement. (Round flues are the most efficient). The interior diameter of the chimney flue must be identical to the stove smoke exhaust. A flue which is too small may cause draft problems, while a large flue favours rapid cooling of the gas, and hence the build-up of creosote and the risk of chimney fires. Note that it is the chimney and not the stove which creates the draft effect; your stove's performance is directly dependent on an adequate draft from your chimney.



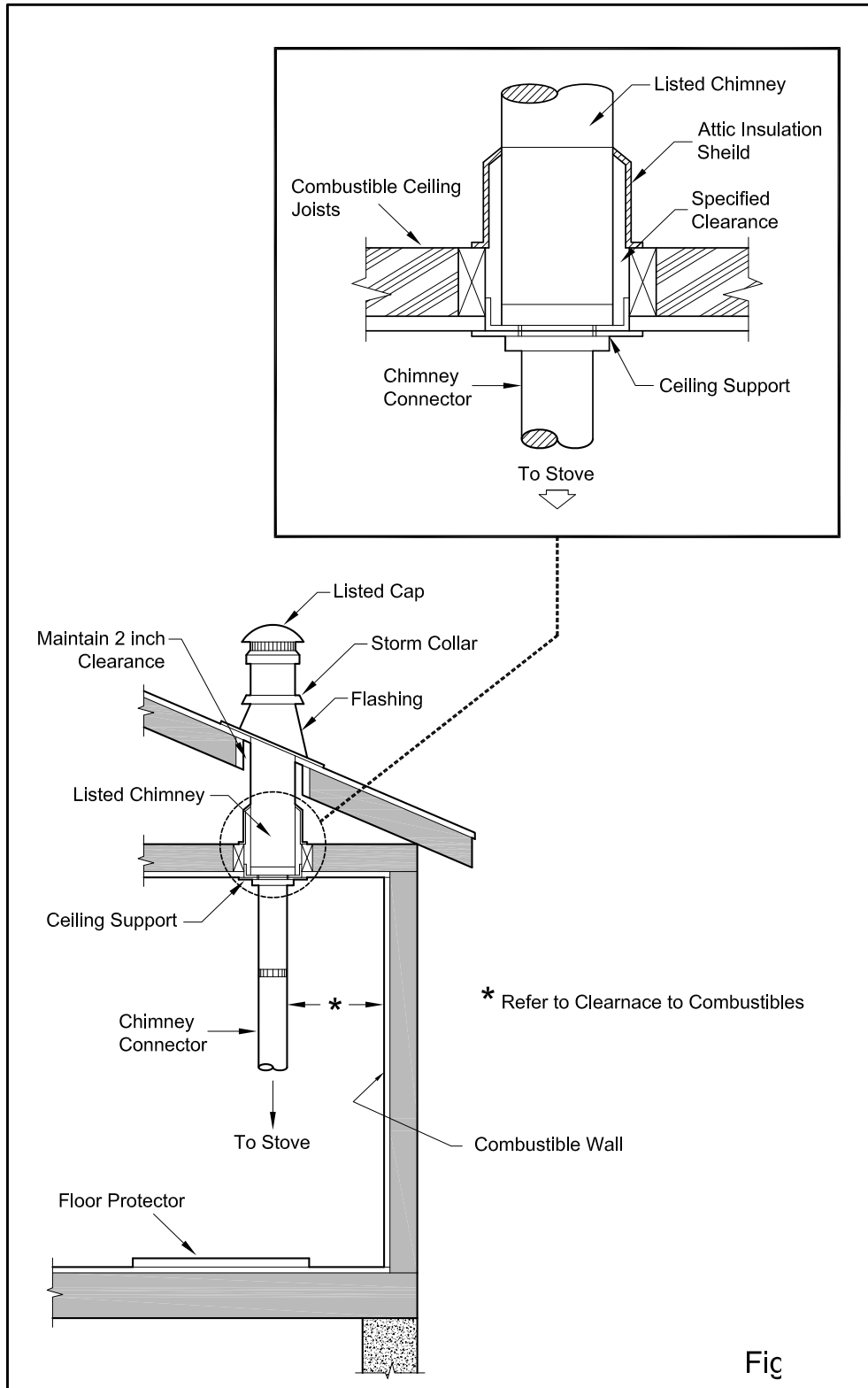
The following recommendations may be useful for the installation of your chimney:

1. DO NOT CONNECT THIS UNIT TO A CHIMNEY FLUE SERVING ANOTHER APPLIANCE.
2. It must rise above the roof at least 3' (0.9m) from the uppermost point of contact.
3. The chimney must exceed any part of the building or other obstruction within a 10' (3.04m) distance by a height of 2' (0.6m).
4. Installation of an interior chimney is always preferable to an exterior chimney. Indeed, the interior chimney will, by definition, be hotter than an exterior chimney, being heated up by the ambient air in the house. Therefore the gas which circulates will cool more slowly, thus reducing the build-up of creosote and the risk of chimney fires.
5. The draft caused by the tendency for hot air to rise will be increased with an interior chimney.
6. Using a fire screen at the extremity of the chimney requires regular inspection in order to insure that it is not obstructed thus blocking the draft, and it should be cleaned when used regularly.



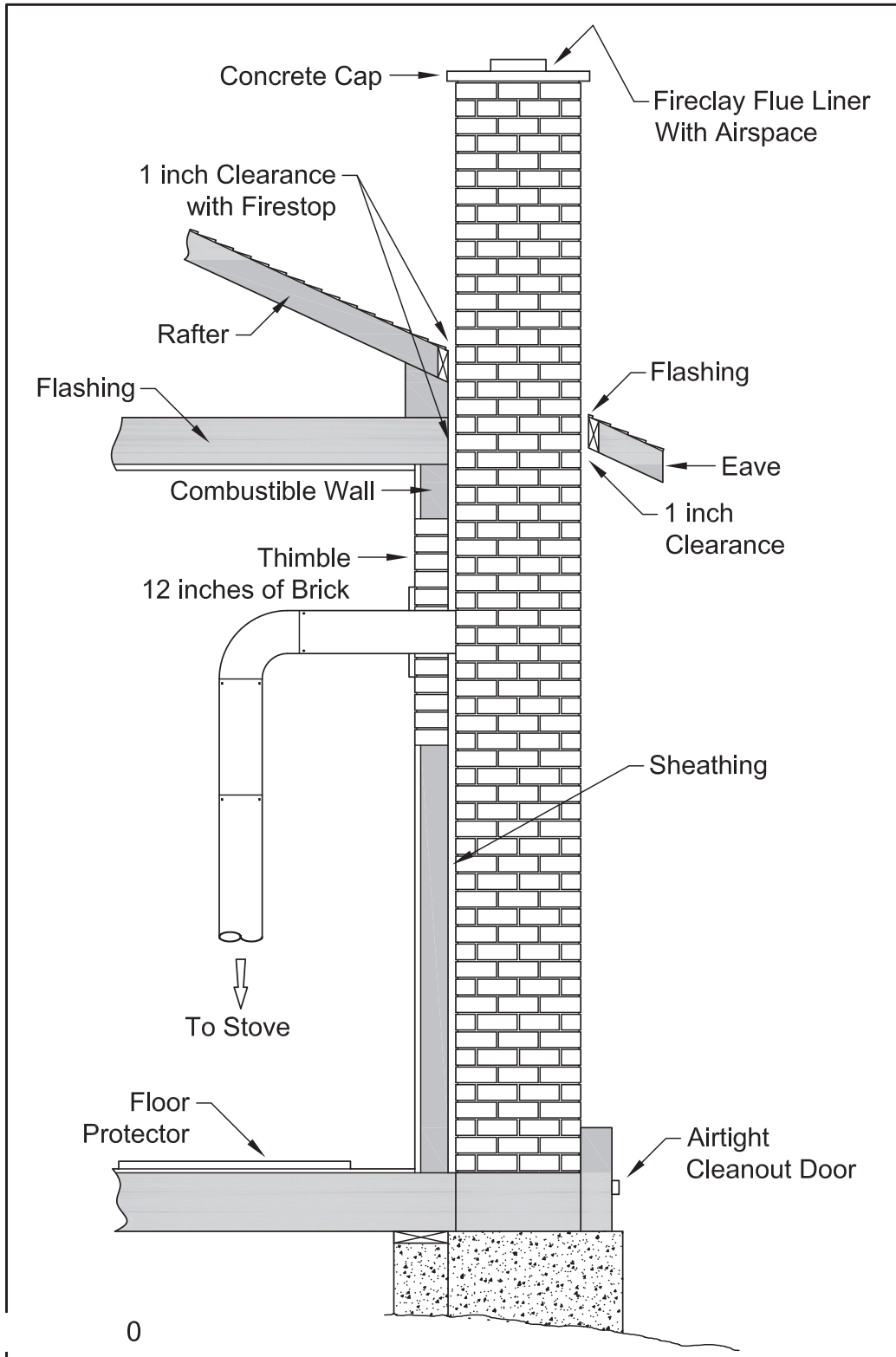
# FACTORY BUILT CHIMNEY

When a metal prefabricated chimney is used, the manufacturer's installation instructions must be followed. You must also purchase (from the same manufacturer) and install the ceiling support package or wall pass-through and "T" section package, firestops (where needed), insulation shield, roof flashing, chimney cap, etc. Maintain proper clearance to the structure as recommended by the manufacturer. The chimney must be the required height above the roof or other obstructions for safety and proper draft operation.

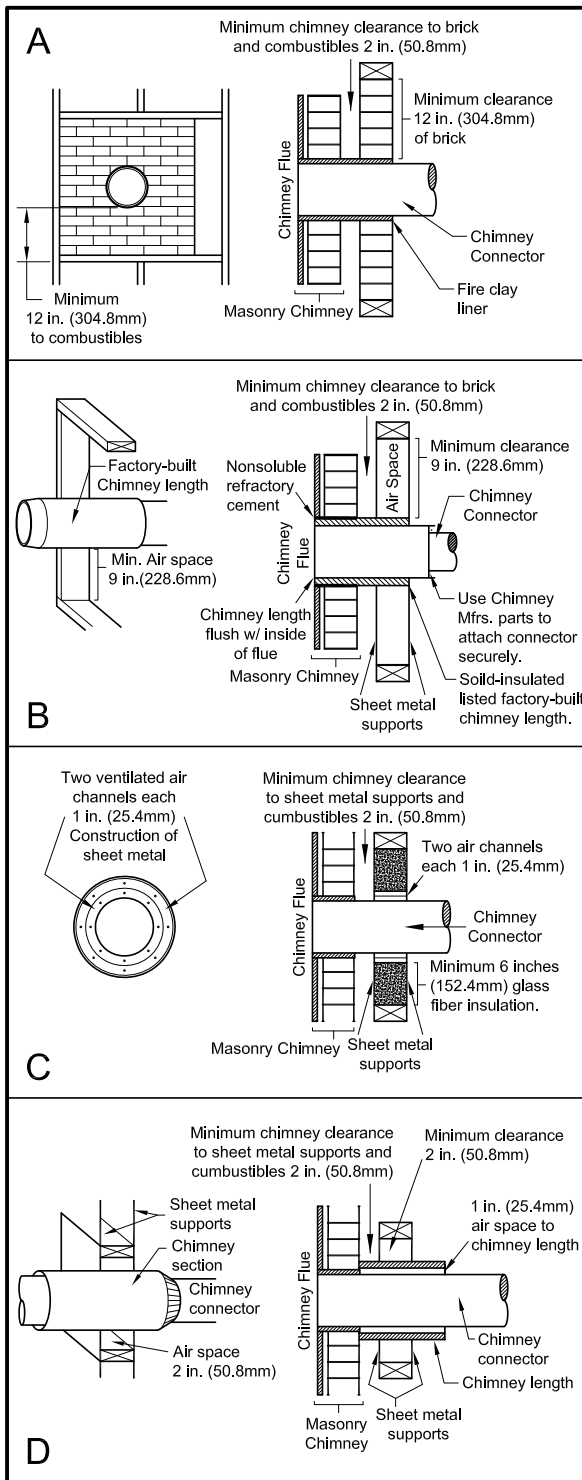


# MASONRY CHIMNEY

Ensure that a masonry chimney meets the minimum standards of the National Fire Protection Association (NFPA) by having it inspected by a professional. Make sure there are no cracks, loose mortar or other signs of deterioration and blockage. Have the chimney cleaned before the stove is installed and operated. When connecting the stove through a combustible wall to a masonry chimney, special methods are needed.



# COMBUSTIBLE WALL CHIMNEY CONNECTOR PASS-THROUGHS



Method A. 12" (304.8 mm) Clearance to Combustible Wall Member: Using a minimum thickness 3.5" (89 mm) brick and a 5/8" (15.9 mm) minimum wall thickness clay liner, construct a wall pass-through. The clay liner must conform to ASTM C315 (Standard Specification for Clay Fire Linings) or its equivalent. Keep a minimum of 12" (304.8 mm) of brick masonry between the clay liner and wall combustibles. The clay liner shall run from the brick masonry outer surface to the inner surface of the chimney flue liner but not past the inner surface. Firmly grout or cement the clay liner in place to the chimney flue liner.

Method B. 9" (228.6 mm) Clearance to Combustible Wall Member: Using a 6" (152.4 mm) inside diameter, listed, factory-built Solid-Pak chimney section with insulation of 1" (25.4 mm) or more, build a wall pass-through with a minimum 9" (228.6 mm) air space between the outer wall of the chimney length and wall combustibles. Use sheet metal supports fastened securely to wall surfaces on all sides, to maintain the 9" (228.6 mm) air space. When fastening supports to chimney length, do not penetrate the chimney liner (the inside wall of the Solid-Pak chimney). The inner end of the Solid-Pak chimney section shall be flush with the inside of the masonry chimney flue, and sealed with a non-water soluble refractory cement. Use this cement to also seal to the brick masonry penetration.

Method C. 6" (152.4 mm) Clearance to Combustible Wall Member: Starting with a minimum 24 gage (.024" [.61 mm]) 6" (152.4 mm) metal chimney connector, and a minimum 24 gage ventilated wall thimble which has two air channels of 1" (25.4 mm) each, construct a wall pass-through. There shall be a minimum 6" (152.4 mm) separation area containing fiberglass insulation, from the outer surface of the wall thimble to wall combustibles. Support the wall thimble, and cover its opening with a 24-gage minimum sheet metal support. Maintain the 6" (152.4 mm) space. There should also be a support sized to fit and hold the metal chimney connector. See that the supports are fastened securely to wall surfaces on all sides. Make sure fasteners used to secure the metal chimney connector do not penetrate chimney flue liner.

Method D. 2" (50.8 mm) Clearance to Combustible Wall Member: Start with a solid-pak listed factory built chimney section at least 12" (304 mm) long, with insulation of 1" (25.4 mm) or more, and an inside diameter of 8" (2 inches [51 mm] larger than the 6" [152.4 mm] chimney connector). Use this as a pass-through for a minimum 24-gauge single wall steel chimney connector. Keep solid-pak section concentric with and spaced 1" (25.4 mm) off the chimney connector by way of sheet metal support plates at both ends of chimney section. Cover opening with and support chimney section on both sides with 24 gage minimum sheet metal supports. See that the supports are fastened securely to wall surfaces on all sides. Make sure fasteners used to secure chimney flue line.

## NOTES:

1. Connectors to a masonry chimney, excepting method B, shall extend in one continuous section through the wall pass-through system and the chimney wall, to but not past the inner flue liner face.
2. A chimney connector shall not pass through an attic or roof space, closet or similar concealed space, or a floor, or ceiling.

## **OUTSIDE COMBUSTION AIR**

Your wood stove is approved to be installed with an outside air intake which is necessary for a tightly constructed home and houses with a negative pressure problem. You can purchase this option through your heater dealer or your local hardware store. Using a Semi-Rigid 4" dryer vent system is optimal. The outside hood must not be the type with louvers, rodent grill only.

Outside combustion air may be required if :

1. Your stove does not draw steadily, smoke rollout occurs, wood burns poorly, or back-drafts occur whether or not there is combustion present.
2. Existing fuel-fired equipment in the house, such as fireplaces or other heating appliances, smell, do not operate properly, suffer smoke roll-out when opened, or back-drafts occur whether or not there is combustion present.
3. Opening a window slightly on a calm (windless) day alleviates any of the above symptoms.
4. The house is equipped with a well-sealed vapor barrier and tight fitting windows and/or has any powered devices that exhaust house air.
5. There is excessive condensation on windows in the winter.
6. A ventilation system is installed in the house.

## WOODSTOVE UTILIZATION

This heater is designed to burn natural wood only. Higher efficiencies and lower emissions generally result when burning air dried seasoned hardwoods, as compared to softwoods or to green or freshly cut hardwoods.

### DO NOT BURN:

1. Garbage;
2. Lawn clippings or yard waste;
3. Materials containing rubber, including tires;
4. Materials containing plastic;
5. Waste petroleum products, paints or paint thinners, or asphalt products;
6. Materials containing asbestos;
7. Construction or demolition debris;
8. Railroad ties or pressure-treated wood;
9. Manure or animal remains;
10. Salt water driftwood or other previously salt water saturated materials;
11. Unseasoned wood; or
12. Paper products, cardboard, plywood, or particleboard. The prohibition against burning these materials does not prohibit the use of fire starters made from paper, cardboard, saw dust, wax and similar substances for the purpose of starting a fire in an affected wood heater.

Burning these materials may result in release of toxic fumes or render the heater ineffective and cause smoke.

Dead wood lying on the forest floor should be considered wet, and requires full seasoning time. Standing dead wood can usually be considered to be about 2/3 seasoned. Splitting and stacking wood before it is stored accelerates drying time. Storing wood on an elevated surface from the ground and under a cover or covered area from rain or snow also accelerates drying time. A good indicator if wood is ready to burn is to check the piece ends. If there are cracks radiating in all directions from the center then the wood should be dry enough to burn. If your wood sizzles in the fire, even though the surface is dry, it may not be fully cured, and should be seasoned longer.

Waste and other flammable materials should not be burned in your stove. Any type of wood may be used in your stove, but specific varieties have better energy yields than others. Please consult the following table in order to make the best possible choice.

TYPE	WEIGHT (LBS. CU. FT., DRY)	PER CORD	EFFICIENCY RANKING	SPLITS	MILLIONS BTU's/CORD
Hickory	63	4500	1.0	Well	31.5
White Oak	48	4100	.9	Fair	28.6
Red Oak	46	3900	.8	Fair	27.4
Beech	45	3800	.7	Hard	26.8
Sugar Maple	44	3700	.6	Fair	26.2
Black Oak	43	3700	.6	Fair	25.6
Ash	42	3600	.5	Well	25.0
Yellow Birch	40	3400	.4	Hard	23.8
Red Maple	38	3200	.3	Fair	22.6
Paper Birch	37	3100	.3	Easy	22.1
Elm/Sycamore	34	2900	.2	Very Difficult	20.1
Red Spruce	29	1800	.1	Easy	16.1

It is EXTREMELY IMPORTANT that you use DRY WOOD only in your wood stove. The wood should have dried for 9 to 15 months, such that the humidity content (in weight) is reduced below 20% of the weight of the log. It is very important to keep in mind that even if the wood has been cut for one, two or even more years, it is not necessarily dry, if it has been stored in poor conditions. Under extreme conditions it may rot instead of drying. This point cannot be over stressed; the vast majority of the problems related to the operation of a wood stove is caused by the fact that the wood used was too damp or had dried in poor conditions. These problems can be:

- ignition problems
- low energy yield
- incomplete log combustion
- creosote build-up causing chimney fires
- blackened windows

Smaller pieces of wood will dry faster. All logs exceeding 6" in diameter should be split. The wood should not be stored directly on the ground. Air should circulate through the cord. A 24" to 48" air space should be left between each row of logs, which should be placed in the sunniest location possible. The upper layer of wood should be protected from the elements but not the sides.

## TESTING YOUR WOOD

When the stove is thoroughly warmed, place one piece of split wood (about five inches in diameter) parallel to the door on the bed of red embers. Keep the air control full open by pulling on it and close the door. If ignition of the piece is accomplished within 90 seconds from the time it was placed in the stove, your wood is correctly dried. If ignition takes longer, your wood is damp.

If your wood hisses and water or vapor escapes at the ends of the piece, your wood is soaked or freshly cut. Do not use this wood in your stove. Large amounts of creosote could be deposited in your chimney, creating potential conditions for a chimney fire.

## TAMPER WARNING

This wood heater has a manufacturer-set minimum low burn rate that must not be altered. It is against federal regulations to alter this setting or otherwise operate this wood heater in a manner inconsistent with operating instructions in this manual.

## THE FIRST FIRES

The fresh paint on your stove needs to be cured to preserve its quality. Once the fuel charge is properly ignited, only burn small fires in your stove for the first four hours of operation. Never open the air control more than necessary to achieve a medium burn rate.

Make sure that there's enough air circulation while curing the stove. The odors could be smelled during the 3 or 4 first fires. Never start your stove outside. You will not be able to see if you are over heating.

Do not build fires too close to the glass. Try building behind the lip just inside the door opening.

## IGNITION

After making sure that the stove air intake controls are fully open (completely pull-out towards you), The top down method of fire building is recommended for this appliance. After making sure that the stove air intake controls are fully open (completely pull-out towards you), Place the largest pieces of wood on the bottom, laid in parallel and close together. Smaller pieces are placed in a second layer, crossways to the first. A third layer of still smaller pieces is laid crossways to the second, this time with some spaces between. Then a fourth layer of loose, small kindling and twisted newspaper sheets tops off the pile. No chemical product should be used to light the fire.

Before igniting the paper and kindling wood, it is recommended that you warm up the chimney. This is done in order to avoid back draft problems often due to negative pressure in the house. If such is the case, open a window slightly near the stove and twist together a few sheets of newspaper into a torch. Light up this paper torch and hold it as close as possible to the mouth of the pipe inside the combustion chamber to warm up the chimney. Once the updraft movement is initiated, you are ready to ignite the stove by lighting the paper and kindling wood inside the combustion chamber.

When you have achieved a good bed of hot embers, we recommend the following burn procedures:

Primary Air Settings (Slide Damper is located in center of stove under hearth plate) (Damper Adjustment: Pulling out on damper increases air)		Electric Blower Speed Setting (Variable) (Blower is on High when turned "ON", Rotate clockwise until stop for "LOW")	
Burn Rate	Adjust Damper from fully closed	Burn Time	Blower Speed
Low	1/8" (3.2mm)	@ 30 minutes	Low
Medium - Low	1/4" (6.3mm)	@ 30 minutes	Low
Medium - High	1-1/8" (12.7mm)	@ 30 minutes	Low
High	approx. 3" (76mm)	all minutes	High

**CAUTION:** Never alter the damper slide or the adjustment range to increase firing for any reason. Doing so could result in heater damage and will void your warranty.

## HEATING

Controlled combustion is the most efficient technique for wood heating because it enables you to select the type of combustion you want for each given situation. The wood will burn slowly if the wood stove air intake control is adjusted to reduce the oxygen supply in the combustion chamber to a minimum. On the other hand, wood will burn quickly if the air control is adjusted to admit a larger quantity of oxygen in the combustion chamber. The air intake control on your stove is very simple. If you pull on it out completely towards you, it is fully open. If you push on it until it stops the combustion air is reduced to a minimum. Real operating conditions may give very different results than those obtained during testing according to the species of wood used, its moisture content, the size and density of the pieces, the length of the chimney, altitude and outside temperature.

## **WARNINGS**

- NEVER OVERFIRE YOUR STOVE. IF ANY PART OF THE STOVE STARTS TO GLOW RED, OVER FIRING IS HAPPENING. READJUST THE AIR INTAKE CONTROL AT A LOWER SETTING.
- THE INSTALLATION OF A LOG CRADLE or GRATES IS NOT RECOMMENDED IN YOUR WOOD STOVE. BUILD FIRE DIRECTLY ON FIREBRICK.
- NEVER PUT WOOD ABOVE THE FIREBRICK LINING OF THE FIREBOX.
- ATTEMPTS TO ACHIEVE HEAT OUTPUT RATES THAT EXCEED HEATER DESIGN SPECIFICATIONS CAN RESULT IN PERMANENT DAMAGE TO THE HEATER

## **EFFICIENCY**

Efficiencies can be based on either the lower heating value (LHV) or the higher heating value (HHV) of the fuel. The lower heating value is when water leaves the combustion process as a vapor, in the case of woodstoves the moisture in the wood being burned leaves the stove as a vapor. The higher heating value is when water leaves the combustion process completely condensed. In the case of woodstoves this would assume the exhaust gases are room temperature when leaving the system, and therefore calculations using this heating value consider the heat going up the chimney as lost energy. Therefore, efficiency calculated using the lower heating value of wood will be higher than efficiency calculated using the higher heating value. In the United States all woodstove efficiencies should be calculated using the higher heating value. The best way to achieve optimum efficiencies is to learn the burn characteristic of you appliance and burn well-seasoned wood. Higher burn rates are not always the best heating burn rates; after a good fire is established a lower burn rate may be a better option for efficient heating. A lower burn rate slows the flow of usable heat out of the home through the chimney, and it also consumes less wood.

## **VISIBLE SMOKE**

The amount of visible smoke being produced can be an effective method of determining how efficiently the combustion process is taking place at the given settings. Visible smoke consist of unburned fuel and moisture leaving your stove. Learn to adjust the air settings of your specific unit to produce the smallest amount of visible smoke. Wood that has not been seasoned properly and has a high wood moisture content will produce excess visible smoke and burn poorly.

## **RELOADING**

Once you have obtained a good bed of embers, you should reload the unit. In order to do so, open the air controls to maximum a few seconds prior to opening the stove's door. Then proceed by opening the door very slowly; open it one or two inches for 5 to 10 seconds, before opening it completely to increase the draft and thus eliminate the smoke which is stagnant in a state of slow combustion in the stove. Then bring the red embers to the front of the stove and reload the unit. For optimal operation of your wood stove, we recommend you to operate it with a wood load approximately equivalent to the height of fire bricks. It is important to note that wood combustion consumes ambient oxygen in the room .In the case of negative pressure, it is a good idea to allow fresh air in the room, either by opening a window slightly or by installing a fresh air intake system on an outside wall.

Creosote - Formation and Need for Removal - When wood is burned slowly, it produces tar and other organic vapors, which combine with expelled moisture to form creosote. The creosote vapors condense in the relatively cool chimney flue of a slow-burning fire. As a result, creosote residue accumulates on the flue lining. When ignited this creosote makes an extremely hot fire. The chimney connector and chimney should be inspected at least once every two months during the heating season to determine if a creosote build-up has occurred. If creosote has accumulated (3mm or more), it should be removed to reduce the risk of a chimney fire. We strongly recommend that you install a magnetic thermometer on your smoke exhaust pipe, approximately 18" above the stove. This thermometer will indicate the temperature of your gas exhaust fumes within the smoke exhaust system. The ideal temperature for these gases is somewhere between 275°F and 500°F. Below these temperatures, the build-up of creosote is promoted. Above 500 degrees, heat is wasted since a too large quantity is lost into the atmosphere.

## **TO PREVENT CREOSOTE BUILD UP**

- Always burn dry wood. This allows clean burns and higher chimney temperatures, therefore less creosote deposit.
- Leave the air control full open for about 5 min. every time you reload the stove to bring it back to proper operating temperatures. The secondary combustion can only take place if the firebox is hot enough.
- Always check for creosote deposit once every two months and have your chimney cleaned at least once a year.

If a chimney or creosote fire occurs, close all dampers immediately. Wait for the fire to go out and the heater to cool, then inspect the chimney for damage. If no damage results, perform a chimney cleaning to ensure there is no more creosote deposits remaining in the chimney.

## **OPERATIONAL TIPS**

Operational Tips for Good, Efficient, and Clean Combustion

- Get the appliance hot and establish a good coal bed before adjusting to a low burn rate (this may take 30 minutes or more depending on your wood)
- Use smaller pieces of wood during start-up and a high burn rate to increase the stove temperature
- Be considerate of the environment and only burn dry wood
- Burn small, intense fires instead of large, slow burning fires when possible
- Learn your appliance's operating characteristics to obtain optimum performance
- Burning unseasoned wet wood only hurts your stoves efficiency and leads to accelerated creosote buildup in your chimney

## **ASH DISPOSAL**

Whenever ashes get 3 to 4 inches deep in your firebox or ash pan, and when the fire has burned down and cooled, remove excess ashes. Leave an ash bed approximately 1 inch deep on the firebox bottom to help maintain a hot charcoal bed.

Ashes should be placed in a metal container with a tight-fitting lid. The closed container of ashes should be placed on a noncombustible floor or on the ground, away from all combustible materials, pending final disposal. The ashes should be retained in the closed container until all cinders have thoroughly cooled.

## **SMOKE AND CO MONITORS**

Burning wood naturally produces smoke and carbon monoxide(CO) emissions. CO is a poisonous gas when exposed to elevated concentrations for extended periods of time. While the modern combustion systems in heaters drastically reduce the amount of CO emitted out the chimney, exposure to the gases in closed or confined areas can be dangerous. Make sure you stove gaskets and chimney joints are in good working order and sealing properly to ensure unintended exposure. It is recommended that you use both smoke and CO monitors in areas having the potential to generate CO.

### **CAUTIONS:**

- **ASHES COULD CONTAIN HOT EMBERS EVEN AFTER TWO DAYS WITHOUT OPERATING THE STOVE.**
- **THE ASH PAN CAN BECOME VERY HOT. WEAR GLOVES TO PREVENT INJURY.**
- **NEVER BURN THE STOVE WITH THE ASH TRAP OPEN. THIS WOULD RESULT IN OVER FIRING THE STOVE. DAMAGE TO THE STOVE AND EVEN HOUSE FIRE MAY RESULT.**



## **MAINTENANCE**

Your wood stove is a high efficiency stove and therefore requires little maintenance. It is important to perform a visual inspection of the stove every time it is emptied, in order to insure that no parts have been damaged, in which case repairs must be performed immediately. Inspect and clean the chimney and connector pipe periodically for creosote buildup or obstructions.

### **GLASS**

- Inspect and clean the glass regularly in order to detect any cracks. If you spot one, allow the fire to go out and the stove to cool before repairing. Never wash the glass with a product that may scratch the glass. Use a specialized product, available in the stores where wood stoves are sold. The glass should be washed only when the heater is cold.
- Do not abuse the glass door by striking or slamming shut. Do not use the stove if the glass is broken. If the glass on your stove breaks, replace only with the glass supplied from your heater dealer. Never substitute other materials for the glass.
- To replace the glass, remove the screws retaining the glass mouldings inside the door. Remove the mouldings and replace the damaged piece with a new one. Perform the procedure backwards after replacing. When replacing the glass, you should change the glass gasket to make sure you keep it sealed.

### **GASKETING**

It is recommended that you change the door gasket (which makes your stove door air tight) once a year, in order to insure good control over the combustion, maximum efficiency and security. To change the door gasket, simply remove the damaged one. Carefully clean the available gasket groove, apply a high temperature silicone sold for this purpose, and install the new gasket. You may light up your stove again approximately 24 hours after having completed this operation. This unit's door uses a 5/8" diameter rope gasket.

### **WARNING:**

- NEVER OPERATE THE STOVE WITHOUT A GASKET OR WITH A BROKEN ONE. DAMAGE TO THE STOVE OR EVEN HOUSE FIRE MAY RESULT.

### **PAINT**

Only clean your stove with a dry soft cloth that will not harm the paint finish. If the paint becomes scratched or damaged, it is possible to give your wood stove a brand new look, by repainting it with a 1200° F heat resistant paint. For this purpose, simply scrub the surface to be repainted with fine sand paper, clean it properly, and apply thin coats (2) of paint successively.

### **BLOWER**

The blower needs to be removed and air blown clean. Make sure the blades do not have build up.

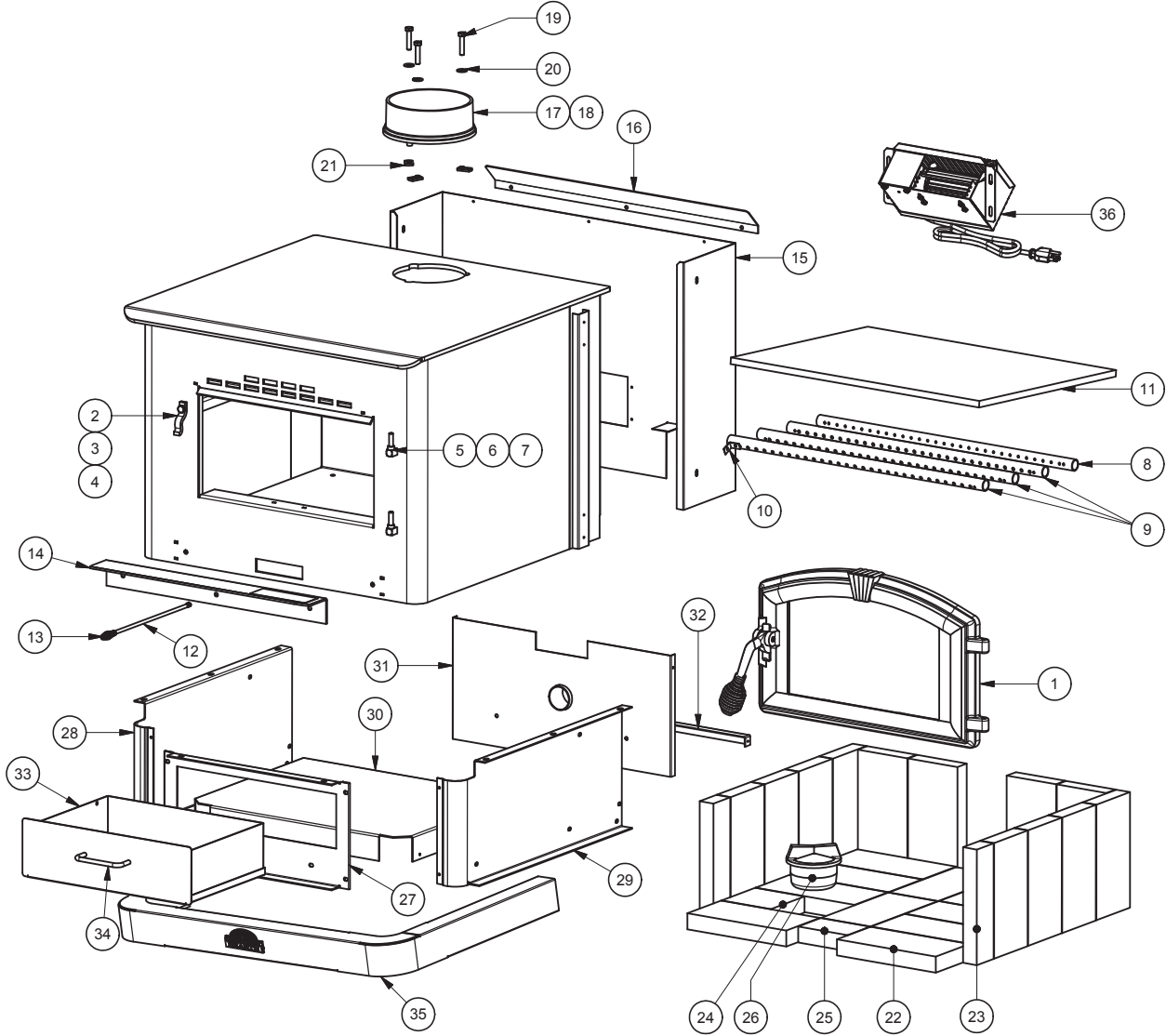
### **AIR TUBES**

The air tubes assembled in this unit are designed to provide an accurate mix of secondary air to insure the highest efficiency. Any damage or deterioration of these tubes may reduce the efficiency of combustion. The air tubes are held in position by either screws or snap pins. Locate these to either side of the tube and remove to allow the tube to be removed and replaced.

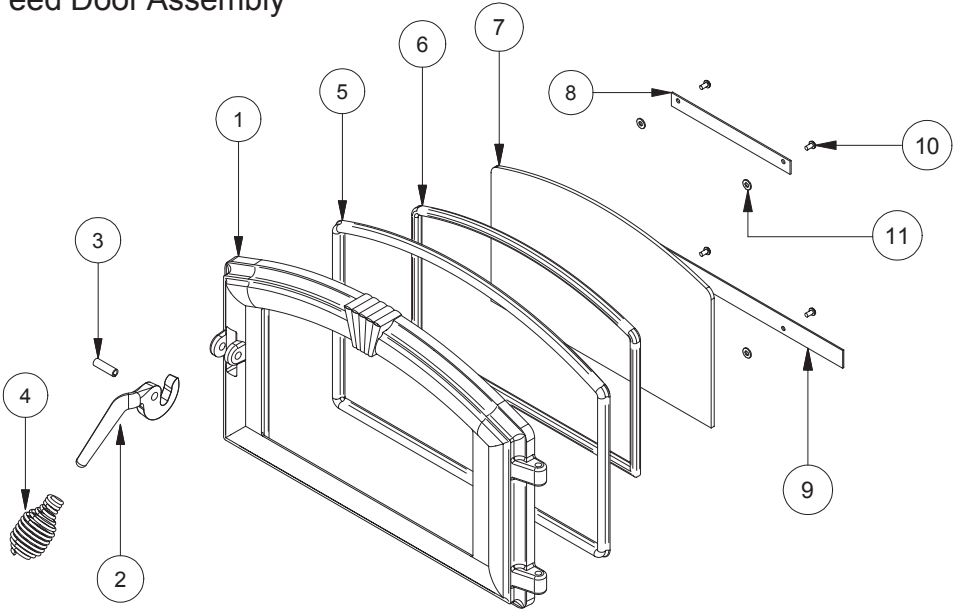
### **ATTENTION:**

**This wood heater needs periodic inspection and repair for proper operation. It is against federal regulations to operate this wood heater in a manner inconsistent with operating instructions in this manual.**

# REPAIR PARTS



## Feed Door Assembly



## REPAIR PARTS

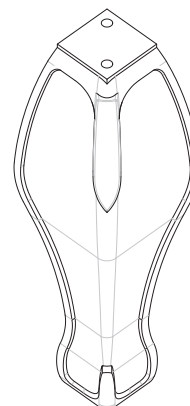
Key	Part No.	Description	Qty.
1	69516	Feed Door Assy.	1
2	25080B	Feed Door Latch	1
3	83508	5/16-18 x 3/4 Hex Head Bolt	1
4	83338	5/16-18 Lock Nut	1
5	891373	Door Hinge Pad	2
6	83045A	Washer, 3/8" ID x 7/8" OD	2
7	83274	3/8-16 Lock Nut	2
8	86643	Tube, Secondary Air (Ø0.16 holes)	1
9	86645	Tube, Secondary Air (Ø0.22 holes)	2
10	25843	Retainer, Tube (1 per Secondary Tube)	3 - 5
11	88145	Refractory Insulation	1
12	891929	Damper Rod	1
13	891331	Spring Handle - Small	1
14	25826	Hearth Plate	1
15	25844	Shield, Rear	1
16	25845	Air Deflector	1
17	40292A	Flue Collar	1
18	88042	Flue Collar Gasket	1.7 Ft
19	83432	5/16-18 x 1-1/2 Hex Head Bolt	3
20	83045	Washer, 5/16" ID x 3/4" OD	3
21	83431	Weld Tab	3
22	89066	Firebrick (4.5 x 9 x 1.25)	23

Key	Part No.	Description	Qty.
23	891414	Firebrick (2-1/4 x 9)	2
24	24103	Firebrick (4-1/2 x 4-1/2)	1
25	891783	Firebrick (3 x 4-1/2 )	1
26	40561	Ash Plug	1
27	25855	Pedestal Front	1
28	25857	Pedestal, Left Side	1
29	25856	Pedestal, Right Side	1
30	25854	Pedestal Bottom	1
31	25846	Pedestal Back	1
32	25853	Pedestal Brace	1
33	69773	Ash Pan	1
34	891137	Handle	1
35	69778	Trim, One Piece	1
36	891492	B36 Blower Assembly	1
N/S = Not Shown			

Key	Part No.	Description	Qty.
1	25491	Feed Door, Painted (40484)	1
2	25692	Handle, Painted (40515)	1
3	83506	3/8 x 1-1/4 Roll Pin	1
4	891135	Spring Handle - LG	1
5	88066	Rope Gasket - 5/8"	4.6 Ft
6	88087	Gasket	4FT
7	891131	Ceramic Glass	1
8	25464	Top Glass Retainer	1
9	25465	Bottom Glass Retainer	1
10	83202	10-24 x 3/8 Pan Head Phillips Screw	4
11	83278	Washer - 7/32 ID x 1/2 OD	4

**IN ORDER TO MAINTAIN WARRANTY, COMPONENTS MUST BE REPLACED USING ORIGINAL MANUFACTURERS PARTS PURCHASED THROUGH YOUR DEALER OR DIRECTLY FROM THE APPLIANCE MANUFACTURER. USE OF THIRD PARTY COMPONENTS WILL VOID THE WARRANTY.**

For Models with Legs			
Key	Part No.	Description	Qty.
↔	26061	Leg, Cast Iron	4
N/S	83339	Bolt, 1/4-20 x 3/4	8



# SERVICE RECORD

It is recommended that your heating system is serviced regularly and that the appropriate Service Interval Record is completed.

## Service Provider:

Before completing the appropriate Service Record below, please ensure you have carried out the service as described in the manufacturer's instructions. Always use the manufacturer's specified spare part when replacement is necessary.

<b>Service 01</b>	Date: _____
Engineer Name: _____	
License No.: _____	
Company: _____	
Telephone No.: _____	
Stove Inspected: <input type="checkbox"/> Chimney Swept: <input type="checkbox"/>	
Items Replaced: _____	

<b>Service 02</b>	Date: _____
Engineer Name: _____	
License No.: _____	
Company: _____	
Telephone No.: _____	
Stove Inspected: <input type="checkbox"/> Chimney Swept: <input type="checkbox"/>	
Items Replaced: _____	

<b>Service 03</b>	Date: _____
Engineer Name: _____	
License No.: _____	
Company: _____	
Telephone No.: _____	
Stove Inspected: <input type="checkbox"/> Chimney Swept: <input type="checkbox"/>	
Items Replaced: _____	

<b>Service 04</b>	Date: _____
Engineer Name: _____	
License No.: _____	
Company: _____	
Telephone No.: _____	
Stove Inspected: <input type="checkbox"/> Chimney Swept: <input type="checkbox"/>	
Items Replaced: _____	

<b>Service 05</b>	Date: _____
Engineer Name: _____	
License No.: _____	
Company: _____	
Telephone No.: _____	
Stove Inspected: <input type="checkbox"/> Chimney Swept: <input type="checkbox"/>	
Items Replaced: _____	

<b>Service 06</b>	Date: _____
Engineer Name: _____	
License No.: _____	
Company: _____	
Telephone No.: _____	
Stove Inspected: <input type="checkbox"/> Chimney Swept: <input type="checkbox"/>	
Items Replaced: _____	

<b>Service 07</b>	Date: _____
Engineer Name: _____	
License No.: _____	
Company: _____	
Telephone No.: _____	
Stove Inspected: <input type="checkbox"/> Chimney Swept: <input type="checkbox"/>	
Items Replaced: _____	

<b>Service 08</b>	Date: _____
Engineer Name: _____	
License No.: _____	
Company: _____	
Telephone No.: _____	
Stove Inspected: <input type="checkbox"/> Chimney Swept: <input type="checkbox"/>	
Items Replaced: _____	

# *Limited Warranty*

**Plate Steel Heaters  
(Inserts, Freestanding, and Pedestal)**

The operation of this heater in a manner inconsistent with the owner's manual will void the warranty and is also against federal regulations.

United States Stove Company warrants to the original purchaser its products against premature failure of any component due to workmanship, quality, or materials as follows:

#### TIME PERIOD:

Firebox .....	Three Years
Flue Collar - if equipped .....	Three Years
All Doors .....	Three Years
Firebox Baffle .....	One Year
Door Gaskets .....	One Year
All Electrical Components (Including Blower) - if equipped .....	One Year
Cabinet and Trim .....	One Year

#### CLAIM PROCEDURE

Any defects should be reported to United States Stove Company or its dealer and/or distributor giving descriptions and pertinent data, including proof or purchase which will be returned upon request.

Providing the heater has been installed and used in accordance with the Owners Manual supplied with the heater, United States Stove Company will either:

- 1) Replace the defective part free of charge
- 2) Replace the heater free of charge
- 3) Where the defect is of a cosmetic (non-functional) nature, United States Stove Company will bear reasonable expense to refurbish the heater, including such items as welding, painting, and incidental labor. A "Reasonable" is defined by terms of this warranty as \$30.00/hour with full refund for any purchase of parts.

#### NOT COVERED

Specifically not covered under terms of this limited warranty or any other warranty are problems relating to smoking or creosote. Smoking is attributable to inadequate draft due to the design or installation of the flue system or installation of the heater itself. Creosote formation is largely attributable to improper operation of the unit and/or draft as mentioned above. Also, not covered are:

- 1) Removal and re-installation cost.
- 2) Service calls to diagnose trouble (unless authorized in writing by the manufacturer, distributor, or dealer).
- 3) Painted surfaces, brass or brass-colored surfaces.
- 4) Damage or defect caused by improper installation, accidents, misuse, abuse (including overfiring) or alteration.
- 5) Transportation or shipping costs.

#### LIMITATIONS AND EXCLUSIONS

- 1) United States Stove Company shall not be liable for incidental, consequential, special, or contingent damages anyone might suffer as a result of their breach of this written warranty or any implied warranty.
- 2) Should the heater be replaced by United States Stove Company "free of charge", all further warranty obligations are thereby met.
- 3) Parts and/or service replacements made under the terms of this warranty are warranted only for the remaining period of the original heater warranty.
- 4) Without specific written exclusionary waivers, no one has authority to add to or vary this limited warranty, or to create for United States Stove Company any further obligation of liability in connection with this heater or any other applicable accessory. Any further warranty implication applicable to this heater or any applicable accessory is limited in duration to the same time period as the original statement in the above schedule.

#### YOUR DUTIES

- 1) This heater, including all applicable accessories, must be installed and operated in accordance with local authorities having jurisdiction and the instructions furnished with the Owners Manual.
- 2) You should keep as permanent record your proof of purchase (or canceled check or invoice).

#### PROBLEM/RESOLUTION

- 1) As purchaser, you must first contact the dealer and/or distributor from whom you purchased your heater.
- 2) If within a reasonable period of time you do not receive satisfactory service from the distributor and/or dealer, write or call United States Stove Company, Customer Service Department, including complete details of the problem and/or problems you are experiencing, details of your installation, your proof of purchase, and the heater serial number or test agency code number.

#### WARRANTOR

The warrantor of record is United States Stove Company, PO Box 151, 227 Industrial Park Road, South Pittsburg, Tennessee 37380.  
Phone number 800-750-2723 • Web site [www.usstove.com](http://www.usstove.com)

#### NOTE

This warranty gives you specific legal rights; and, you may also have other rights which vary from state to state. Register your product on line at [www.usstove.com](http://www.usstove.com). Save your receipt with your records for any claims.

#### IMPORTANT

We congratulate you on your selection of United States Stove Company and its products. As the oldest solid fuel manufacturer in the United States (since 1869), the United States Stove Company is very proud of its products, service, employees, and satisfied customers. We would like to hear from you if you are not satisfied with the manner in which you have been handled by our distributor, dealer, representative, customer service department, parts department, or sales department. Please reach out to us by using any of the contact information listed above.

## **HOW TO ORDER REPAIR PARTS / COMMENT COMMANDER DES PIÈCES DE RECHANGE**

This manual will help you obtain efficient, dependable service from your heater, and enable you to order repair parts correctly.

Keep this manual in a safe place for future reference.

When writing, always give the full model number which is on the nameplate attached to the heater.

When ordering repair parts, always give the following information as shown in this list: /

Ce manuel vous aidera à obtenir un service efficace et fiable de votre réchauffeur et vous permet de commander correctement les pièces de réparation.

Conservez ce manuel dans un endroit sûr pour une référence ultérieure.

Lors de l'écriture, donnez toujours le numéro de modèle complet qui se trouve sur la plaque signalétique attachée au radiateur.

Lorsque vous commandez des pièces de rechange, donnez toujours les informations suivantes comme indiqué dans cette liste:

1. The part number / Le numéro de pièce \_\_\_\_\_
2. The part description / La description de la pièce \_\_\_\_\_
3. The model number / Le numéro de modèle \_\_\_\_\_
4. The serial number / Le numéro de série \_\_\_\_\_

### **UNITED STATES STOVE COMPANY**

227 INDUSTRIAL PARK ROAD  
P.O. BOX 151  
SOUTH PITTSBURG, TN 37380  
800-750-2723  
WWW.USSTOVE.COM

**Garantie limitée**  
**Plaque acier Radiateurs**  
**(Inserts, autoportant et Pedestal)**

Le fonctionnement de cet appareil de chauffage d'une manière incompatible avec le manuel du propriétaire annulera la garantie et est également contre les règlements fédéraux.

United States Stove Company offre à l'acheteur d'origine une garantie de ses produits contre la défaillance prématurée d'un composant en raison de la fabrication, de la qualité ou des matériaux comme suit:

**PÉRIODE DE GARANTIE:**

Foyer .....	Trois Ans
Busé, Si Équipé .....	Trois Ans
Toutes Les Portes .....	Trois Ans
Firebox Chicane .....	Un An
Joints De Porte .....	Un An
Tous Les Composants Electriques (Y Compris Blower) - Le Cas Echéant.....	Un An
Cabinet Et Garnitures .....	Un An

**PROCÉDURE DE RÉCLAMATION**

Les défauts doivent être signalés à United States Stove Company ou à son détaillant ou distributeur en donnant une description et les données pertinentes, y compris une preuve d'achat qui sera retournée sur demande.

À condition que l'appareil de chauffage ait été installé et utilisé conformément au manuel d'utilisation fourni avec celui-ci, United States Stove Company fera l'une ou l'autre des choses suivantes:

1) Remplacer la pièce défectueuse sans frais

2) Remplacer l'appareil de chauffage sans frais

3) Si le défaut est de nature cosmétique (non fonctionnel), United States Stove Company prendra en charge les frais raisonnables pour la remise à neuf de l'appareil de chauffage, y compris des éléments tels que la soudure, la peinture et la main d'œuvre qui s'y rapporte. Les frais « raisonnables » sont définis par les conditions de cette garantie comme étant de 30 \$/heure avec remboursement intégral pour tout achat de pièces de U.S. Stove Company.

**NON COUVERTS**

Les problèmes relatifs à la fumée ou à la créosote ne sont pas spécifiquement couverts aux termes de cette garantie limitée ou de toute autre garantie. La fumée est imputable à un tirage adéquat de la cheminée en raison de la conception ou de l'installation du conduit de fumée ou de l'installation de l'appareil de chauffage lui-même. La formation de créosote est en grande partie attribuable à un mauvais fonctionnement de l'appareil et/ou au tirage tel que mentionné ci-dessus. En outre, les éléments suivants ne pas couverts:

1) Le coût d'enlèvement et de réinstallation.

2) Les visites d'un réparateur pour diagnostiquer les problèmes (sauf si autorisé par écrit par le fabricant, le distributeur ou le détaillant).

3) Les surfaces peintes ou plaquées.

4) Les dommages ou défauts causés par une mauvaise installation, un accident, une mauvaise utilisation, l'abus (y compris le surchauffement) ou l'allègement.

5) Les frais de transport et d'expédition.

**RESTRICTIONS ET EXCLUSIONS**

United States Stove Company ne sera pas responsable des dommages accidentels, indirects, spéciaux ou dommages éventuels que quiconque pourrait subir à la suite d'une violation de cette garantie écrite ou de toute garantie implicite.

2) Si l'appareil de chauffage est remplacé « gratuitement » par United States Stove Company, toutes les autres obligations de garantie sont ainsi satisfaites.

3) Le remplacement des pièces et/ou le service effectués en vertu des modalités de cette garantie sont garantis uniquement pour la période restante de la garantie originale de l'appareil de chauffage.

4) Sans une dispense spécifique écrite, personne n'a l'autorité d'augmenter ou de modifier cette garantie limitée, ou pour créer au nom de United States Stove Company toute autre obligation de responsabilité à l'égard de cet appareil de chauffage ou de tout autre accessoire applicable. Toute garantie implicite applicable à cet appareil de chauffage ou à tout accessoire applicable est limitée à la durée de la même période que celle de la déclaration originale dans le calendrier ci-dessus.

**VOS OBLIGATIONS**

1) Cet appareil de chauffage, y compris tous les accessoires applicables, doit être installé et utilisé conformément aux règlements des autorités locales ayant compétence et aux instructions fournies avec le manuel du propriétaire.

2) Vous devez conserver dans vos dossiers votre preuve d'achat (ou votre chèque annulé ou votre facture).

1) En tant qu'acheteur, vous devez d'abord contacter le détaillant ou le distributeur auprès duquel vous avez acheté votre appareil de chauffage.

2) Si dans un délai raisonnable, vous ne recevez pas un service satisfaisant du distributeur ou du détaillant, écrivez ou téléphonez au Service à la clientèle de United States Stove Company, en incluant tous les détails du ou des problèmes que vous rencontrez, les détails de votre installation, votre preuve d'achat et le numéro de série de l'appareil de chauffage ou le numéro de code de l'agence d'essai.

**GARANT**

Le garant de l'enregistrement est United States Stove Company, P.O. Box 151, 227 Industrial Park Road, South Pittsburg, Tennessee 37380.

**REMARQUE**

Cette garantie vous accorde des droits légaux précis, et vous pourrez aussi avoir d'autres droits qui varient d'un Etat à l'autre. Enregistrez votre produit en ligne sur [www.usstove.com](http://www.usstove.com). Enregistrez votre reçu avec vos dossiers pour toute réclamation.

**IMPORTANT**

Nous vous félicitons pour votre sélection de United States Stove Company et de ses produits. En tant que plus ancien fabricant de combustibles solides aux États-Unis (depuis 1869), la United States Stove Company est très fière de ses produits, services, employés et clients satisfaits. Nous aimerions connaître votre opinion si vous n'êtes pas satisfait de la manière dont vous avez été manipulé par notre distributeur, revendeur, représentant, service à la clientèle, service des pièces ou département des ventes. N'hésitez pas à nous contacter en utilisant les coordonnées indiquées ci-dessus.

# ENREGISTREMENT DE SERVICE

Il est recommandé que votre système de chauffage est desservi régulièrement et que le Service Intervall enregistré approprié est terminée.

## Fournisseur de services:

Avant de terminer l'enregistrement de service approprié ci-dessous, s'il vous plaît vous assurer que vous avez effectué le service tel que décrit dans les instructions du fabricant. Toujours utiliser pièce de rechange indiquée par le fabricant lors de remplacement est nécessaire.

Service de 01	Date	_____
Ingénieur Nom:	_____	_____
Refustratuib No.:	_____	_____
Company	_____	_____
N ° de téléphone.	_____	_____
Poêle Inspecté: <input type="checkbox"/> Cheminée Swept: <input type="checkbox"/>	_____	_____
Articles Remplacé:	_____	_____

Service de 03	Date	_____
Ingénieur Nom:	_____	_____
Refustratuib No.:	_____	_____
Company	_____	_____
N ° de téléphone.	_____	_____
Poêle Inspecté: <input type="checkbox"/> Cheminée Swept: <input type="checkbox"/>	_____	_____
Articles Remplacé:	_____	_____

Service de 05	Date	_____
Ingénieur Nom:	_____	_____
Refustratuib No.:	_____	_____
Company	_____	_____
N ° de téléphone.	_____	_____
Poêle Inspecté: <input type="checkbox"/> Cheminée Swept: <input type="checkbox"/>	_____	_____
Articles Remplacé:	_____	_____

Service de 07	Date	_____
Ingénieur Nom:	_____	_____
Refustratuib No.:	_____	_____
Company	_____	_____
N ° de téléphone.	_____	_____
Poêle Inspecté: <input type="checkbox"/> Cheminée Swept: <input type="checkbox"/>	_____	_____
Articles Remplacé:	_____	_____

Service de 02	Date	_____
Ingénieur Nom:	_____	_____
Refustratuib No.:	_____	_____
Company	_____	_____
N ° de téléphone.	_____	_____
Poêle Inspecté: <input type="checkbox"/> Cheminée Swept: <input type="checkbox"/>	_____	_____
Articles Remplacé:	_____	_____

Service de 04	Date	_____
Ingénieur Nom:	_____	_____
Refustratuib No.:	_____	_____
Company	_____	_____
N ° de téléphone.	_____	_____
Poêle Inspecté: <input type="checkbox"/> Cheminée Swept: <input type="checkbox"/>	_____	_____
Articles Remplacé:	_____	_____

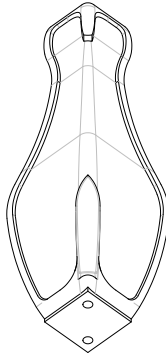
Service de 06	Date	_____
Ingénieur Nom:	_____	_____
Refustratuib No.:	_____	_____
Company	_____	_____
N ° de téléphone.	_____	_____
Poêle Inspecté: <input type="checkbox"/> Cheminée Swept: <input type="checkbox"/>	_____	_____
Articles Remplacé:	_____	_____

Service de 08	Date	_____
Ingénieur Nom:	_____	_____
Refustratuib No.:	_____	_____
Company	_____	_____
N ° de téléphone.	_____	_____
Poêle Inspecté: <input type="checkbox"/> Cheminée Swept: <input type="checkbox"/>	_____	_____
Articles Remplacé:	_____	_____



# REPAIR PARTS

Ciè	Réf.	La description	Qté.
1	25491	Flux de porte, peint (40484)	1
2	25692	Poignée, peint (40515)	1
3	83506	3/8 x 1-1 / 4 Rouleau Pin	1
4	891135	Poignée de printemps - LG	1
5	88066	Corde joint - 5/8"	3,7 ft
6	88087	Joint d'étanchéité	4 ft
7	891131	Céramique verre	1
8	25464	Top Glass Rétenu	1
9	25465	Rétenu à fond de verre	1
10	83202	10-24 x 3/8 Pan Head Phillips	4
11	83278	Laveuse - 7/32 ID x 1/2 OD	4



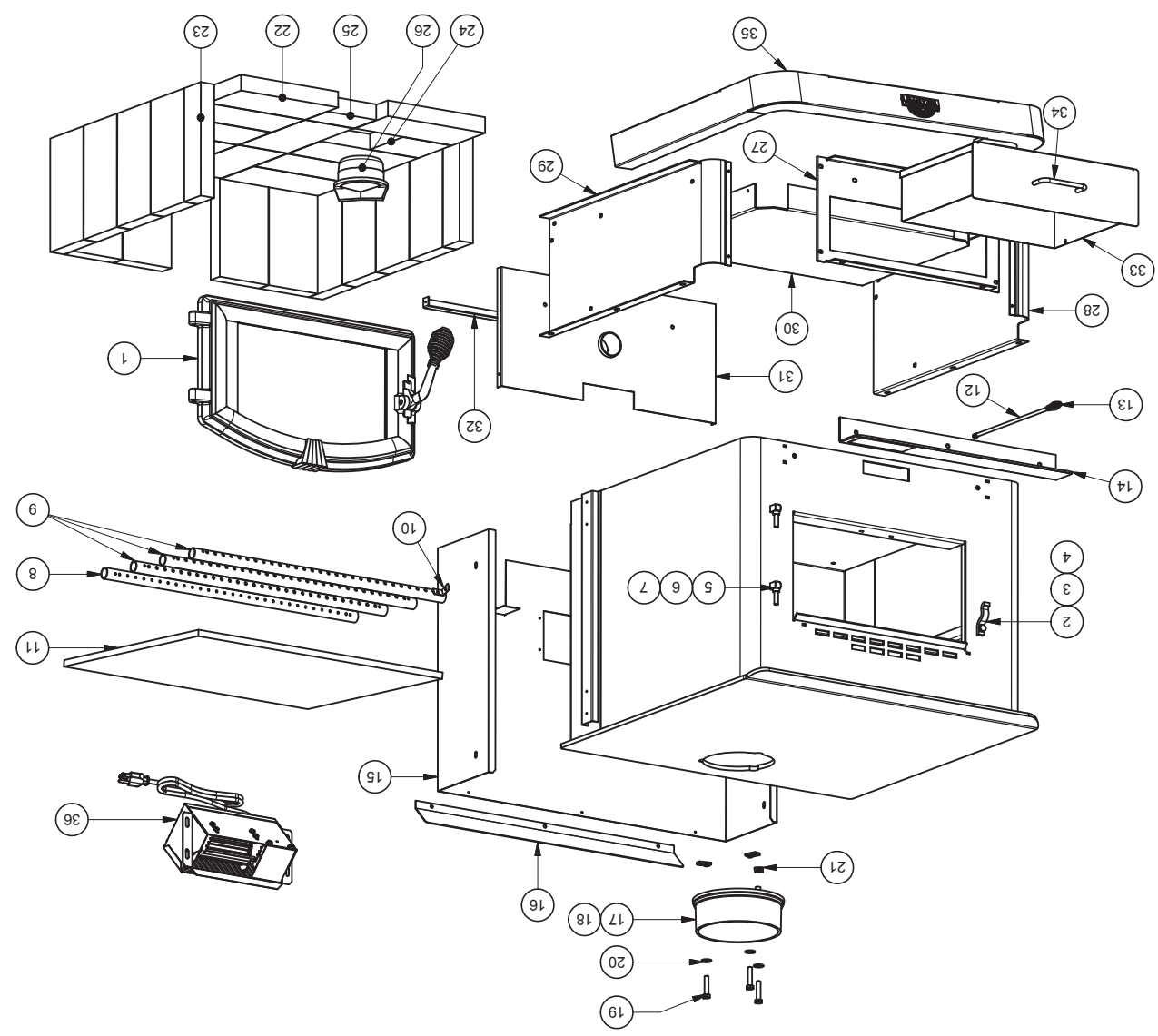
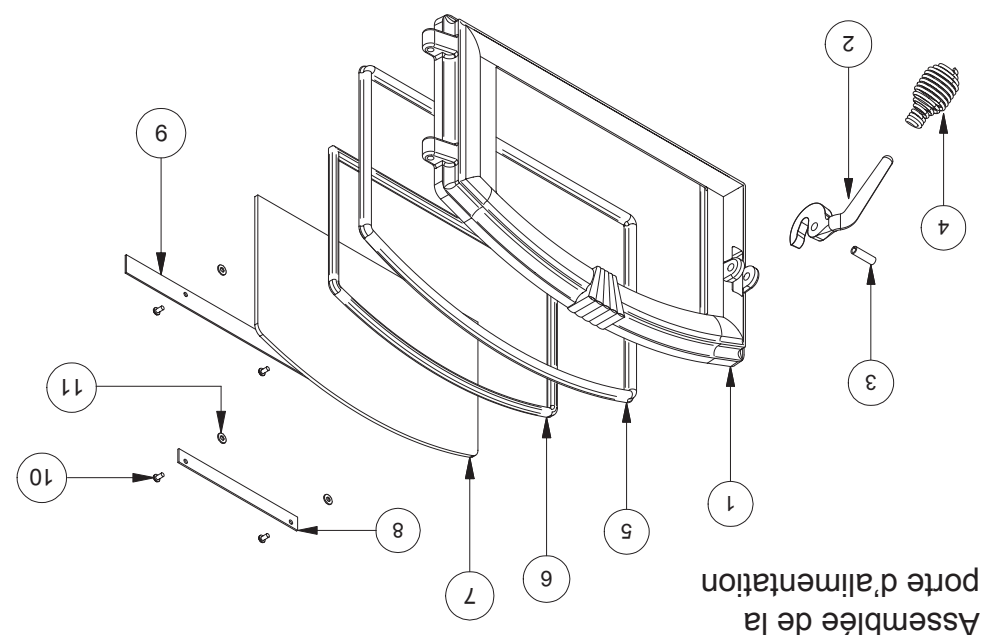
Pour les modèles avec les jambes			
Ciè	Réf.	La description	Qté.
↔	26061	Leg, en fonte	4
N/S	83339	Boit, 1 / 4-20 x 3/4	8

Ciè	Réf.	La description	Qté.
1	69516	Nourrissez Door Assy.	1
2	25080B	Nourrissez Loquet de porte	1
3	83508	5 / 16-18 x 3/4 boulon à tête hexagonale	1
4	83338	5 / 16-18 écrou	1
5	891373	Charnière de porte Pad	2
6	83045A	Laveuse, 3/8" ID x 7/8" OD	2
7	83274	3 / 8-16 Écrou	2
8	86643	Tube, Air secondaire (Ø0.16 trous)	1
9	86645	Tube, Air secondaire (Ø0.22 trous)	2
10	25843	Rétenu, Tube (1 par tube secondaire)	3 - 5
11	88145	Isolation réfractaire	1
12	891929	Damper Rod	1
13	891331	Poignée de printemps - Petit	1
14	25826	Plate Hearth	1
15	25844	Bouclier, arrière	1
16	25845	Air Deflector	1
17	40292A	Collier Flue	1
18	88042	Flue Collier Joint	1,7 ft
19	83432	5 / 16-18 x 1-1 / 2 boulon à tête hexagonale	3
20	83045	Laveuse, 5/16" ID x 3/4" OD	3
21	83431	Weld Tab	3
22	89066	Firebrick (4,5 x 9 x 1,25)	23
23	891414	Firebrick (2-1 / 4 x 9)	2
24	24103	Firebrick (4-1 / 2 x 4-1 / 2)	1
25	891783	Firebrick (3 x 4-1 / 2)	1
26	40561	Ash plug	1
27	25855	Socle avant	1
28	25857	Piédestal, Left Side	1
29	25856	Piédestal, côté droit	1
30	25854	Piédestal Bottom	1
31	25846	Piédestal Retour	1
32	25853	Piédestal Brace	1
33	69773	Ash Pan	1
34	891137	Manipuler	1
35	69778	Coupez, One Piece	1
36	891492	B36 Assemblée Blower	1

N / S = Non Montre

In order to maintain warranty, components must be replaced using original manufacturers parts purchased through your dealer or directly from the appliance manufacturer. Use of third party components will void the warranty.

Assemblée de la porte d'alimentation



PIÈCES DE RECHANGE

## **ENTRETIEN**

Votre poêle à bois est un poêle de haute efficacité et il ne nécessite par conséquent que peu d'entretien. Il est important de réaliser une inspection visuelle du poêle à chaque fois qu'il est vidé, afin de s'assurer qu'aucune pièce n'ait été endommagée, si c'est le cas, des réparations devront être effectuées immédiatement. Inspectez et nettoyez périodiquement la cheminée et le tuyau de raccord de l'accumulation de créosote ou d'obstructions.

### VITRE

- Inspectez régulièrement la vitre afin de détecter toute fissure. Si vous en repérez une, éteignez immédiatement le poêle. Ne maltraitez pas la porte vitrée en la fermant violemment ou en la claquant.

- N'utilisez pas le poêle si la vitre est cassée.
- Si la vitre de votre poêle se brise, remplacez-la uniquement par une vitre fournie par votre vendeur d'appareils de chauffage. Ne substituez jamais la vitre avec d'autres matières.
- Pour remplacer la vitre, retirez les vis qui retiennent les moules de la vitre à l'intérieur de la porte. Retirez les moules et remplacez la pièce endommagée par une neuve. Effectuez la procédure en sens inverse après remplacement. Lors du remplacement de la vitre, vous devrez changer le joint de la vitre pour vous assurer qu'elle soit bien étanche.
- Ne lavez jamais la vitre avec un produit qui pourrait la rayer. Utilisez un produit spécialisé, disponible dans les magasins qui vendent les poêles à bois. La vitre doit être nettoyée uniquement lorsqu'elle est froide.

## **JOINTS**

Il est recommandé de changer le joint de la porte (qui rend la porte de votre poêle étanche) une fois par an, afin de vous assurer du bon contrôle de la combustion, de l'efficacité maximale et de la sécurité. Pour changer le joint de la porte, retirez simplement celui qui est endommagé. Nettoyez avec précaution la rainure du joint disponible, appliquez de la silicone haute température vendue à cet effet, et installez le nouveau joint. Vous pouvez allumer de nouveau votre poêle environ 24 heures après avoir terminé entièrement cette opération. La porte de ce poêle utilise un joint de corde de 5/8po de diamètre.

### AVERTISSEMENT:

- NE FAITES JAMAIS FONCTIONNER LE POÊLE SANS JOINT OU AVEC UN JOINT ROMPU. DES DOMMAGES AU NIVEAU DU POÊLE VOIRE UN INCENDIE DU DOMICILE POURRAIENT AVOIR LIEU.

- PEINTURE

Nettoyez uniquement votre poêle avec un chiffon doux sec qui n'endommagera pas la finition peinte. Si la peinture se rate ou est endommagée, il est possible de redonner à votre poêle son apparence neuve, en le peignant avec une peinture résistante à des températures de 1200 °F. Pour ce faire, décapez simplement la surface à repeindre avec un papier abrasif fin, nettoyez-le correctement et appliquez (2) fines couches de peinture successives.

## **CONDUITS D'AIR**

Les conduits d'air assemblés dans cette unité sont conçus pour offrir un mélange précis d'air secondaire et assurer une plus grande efficacité. Tout dommage ou détérioration de ces conduits peut réduire l'efficacité de la combustion. Les conduits d'air sont maintenus en position par des vis ou par des goupilles de blocage. Localisez et enlevez-les des deux côtés du conduit pour le retirer et le remettre en place.

## **POUR PRÉVENIR LA FORMATION DE CRÉOSOTE**

- Brûlez toujours du bois sec. Cela permet des combustions propres et des températures de cheminée supérieures, et par conséquent moins de dépôt de créosote.
  - Laissez la commande d'air complètement ouverte pendant environ 5 minutes à chaque fois que vous rechargez le poêle pour le ramener aux bonnes températures de fonctionnement. La combustion secondaire peut seulement avoir lieu si le foyer est suffisamment chaud.
  - Vérifiez toujours le dépôt de créosote une fois tous les deux mois et faites nettoyer votre cheminée au moins une fois par an.
- Si un feu de cheminée ou de créosote se produit, fermez immédiatement tous les registres. Attendez que le feu s'éteigne et que l'appareil de chauffage refroidisse, puis inspectez les dommages de la cheminée. S'il n'y a aucun dommage, effectuez le nettoyage de la cheminée pour garantir qu'il n'y ait pas de dépôts de créosote qui soient restés dans la cheminée.

## **CONSEILS DE FONCTIONNEMENT POUR UNE COMBUSTION DE QUALITÉ, EFFICACE ET PROPRE**

- Attendez que l'appareil soit chaud et qu'il y ait un bon lit de braises avant de régler à un taux de combustion plus bas (ce qui pourrait prendre 30 minutes ou plus selon le bois utilisé)
- Utilisez de plus petits morceaux de bois pendant l'allumage et un taux de combustion élevé pour augmenter la température du poêle
- Pensez à l'environnement et ne brûlez que du bois séché
- Allumez de feux petits et intenses, au lieu de grands feux lents, lorsque possible.
- Apprenez les caractéristiques de fonctionnement de votre appareil pour obtenir une performance optimale
- Brûler du bois humide a un impact négatif sur l'efficacité de votre poêle et mène à une accélération de l'accumulation de créosote dans la cheminée

## **ENLEVEMENT ET DISPOSITION DES CENDRES**

Lorsque les cendres atteignent 8 à 10 cm (3 à 4 po) d'épaisseur dans votre boîte à feu ou bac à cendres, et que le feu est éteint et froid, retirez les cendres en excès. Laissez un lit de cendres d'environ 3 cm (1 po) d'épaisseur sur le fond de la boîte à feu pour aider à conserver une couche chaude de charbon.

Les cendres doivent être placées dans un récipient en métal recouvert d'un couvercle bien ajusté. Le récipient de cendres fermé doit être placé sur un plancher incombustible ou sur le sol, loin des matériaux combustibles, en attendant sa mise au rebut finale. Les cendres doivent être conservées dans le récipient fermé jusqu'à ce qu'elles aient pu complètement refroidir.

## **DÉTECTEURS DE FUMÉE ET DE CO**

Le brûlage du bois produit naturellement des émissions de fumée et du monoxyde de carbone (CO). Le CO est un gaz poison lorsque l'exposition se fait à des concentrations élevées pour une période de temps prolongée. Bien que les systèmes de combustion modernes des chauffages réduisent de façon importante la quantité de CO émis par la cheminée, l'exposition aux gaz dans des endroits fermés ou clos peut être dangereuse. Assurez-vous que les joints d'étanchéité de votre poêle et les joints de la cheminée soient en bon état et qu'ils scellent correctement, évitant les expositions indésirables. Il est recommandé que vous utilisiez des détecteurs de fumée et de CO dans les zones où se trouve un potentiel de génération de CO.

### **AVERTISSEMENTS:**

- LES CENDRES PEUVENT CONTENIR DES BRAISES MÊME APRÈS DEUX JOURS SANS FONCTIONNEMENT DU POÊLE.
- LE PLATEAU DE CENDRE PEUT DEVENIR TRÈS CHAUD. PORTEZ DES GANTS POUR ÉVITER TOUTE BLESSURE.
- NE FAITES JAMAIS FONCTIONNER LE POÊLE AVEC LA TRAPPE DES CENDRES OUVERTE. CELA PEUT ENTRÂÎNER UNE SURCHAUFFE DU POÊLE. DES DOMMAGES AU NIVEAU DU POÊLE VOIRE UN INCENDIE DU DOMICILE POURRAIENT AVOIR LIEU.

Une fois que vous avez obtenu un bon lit de braises, vous devrez recharger l'unité. Pour ce faire, ouvrez les commandes d'air au maximum pendant quelques secondes avant d'ouvrir la porte du poêle. Puis continuez en ouvrant la porte très lentement ; ouvrez d'un ou deux pouces pendant 5 à 10 secondes, avant de l'ouvrir complètement pour augmenter le tirage et éliminer ainsi les fumées qui sont stagnantes dans un état de combustion lente à l'intérieur du poêle. Amenez ensuite les braises vers l'avant du poêle et rechargez l'unité. Pour un fonctionnement optimal de votre poêle à bois, nous vous recommandons de le faire fonctionner avec une charge de bois approximativement égale à la hauteur des briques réfractaires.

Il est important de remarquer que la combustion du bois consomme l'oxygène présent dans la pièce. En cas de pression négative, il est bon de laisser de l'air frais entrer dans la pièce, soit en ouvrant légèrement une fenêtre soit en installant un système d'aspiration d'air frais sur un mur extérieur.

Créosote - Formation et besoin de retrait - Quand du bois brûle lentement, cela produit du goudron et d'autres vapeurs organiques, qui se combinent avec l'humidité expulsée pour former de la créosote. Les vapeurs de créosote se condensent dans le conduit de fumée relativement froid d'un feu qui se consomme lentement. Il en résulte que des résidus de créosote s'accumulent dans l'intérieur de la conduite. Une fois allumée, cette créosote crée un feu extrêmement chaud. Lorsque vous brûlez du bois, le raccord de cheminée et la cheminée devront être inspectés au moins une fois tous les deux mois durant la saison de chauffage afin de déterminer si une accumulation de créosote s'est produite. Si de la créosote s'est accumulée, elle devra être retirée afin de réduire le risque d'incendie dans la cheminée.

Nous recommandons fortement que vous installiez un thermomètre magnétique sur le tuyau d'aspiration des fumées, à environ 18" au-dessus du poêle. Ce thermomètre indiquera la température des fumées d'évacuation de vos gaz dans le système d'aspiration des fumées. La température idéale de ces gaz est comprise approximativement entre 275 °F et 500 °F. En deçà de ces températures, l'accumulation de créosote est favorisée. Au-dessus de 500 degrés, la chaleur est gaspillée car une quantité trop importante est perdue dans l'atmosphère.

## RECHARGEMENT

La quantité visible de fumée produite peut être une méthode efficace pour déterminer comment le processus de combustion s'établit efficacement aux réglages donnés. La fumée visible est composée de combustibles non brûlés et de l'humidité s'échappant de votre poêle. Apprenez comment ajuster les réglages d'air de votre unité afin de produire la plus petite quantité de fumée visible. Le bois incorrektement séché a une teneur élevée en humidité et produira un excès de fumée visible et un mauvais brûlage.

## FUMÉE VISIBLE

L'efficacité peut être basée sur le pouvoir calorifique inférieur (PCI) ou le pouvoir calorifique supérieur (PCS) du combustible. Le pouvoir calorifique inférieur, c'est lorsque l'eau quitte le processus de combustion sous forme de vapeur, dans le cas des poêles à bois, l'humidité dans le bois brûlé quitte le poêle sous forme de vapeur. Le pouvoir calorifique supérieur, c'est lorsque l'eau quitte le processus de combustion sous forme entièrement condensée. Dans le cas des poêles à bois, ceci voudrait dire que les gaz d'évacuation sont à la température de la pièce en quittant le système, et donc, les calculs utilisant cette valeur de chaleur tiennent compte de l'évaporation de la chaleur dans la cheminée comme une perte d'énergie. Ainsi, l'efficacité calculée en utilisant le pouvoir calorifique inférieur du bois sera plus élevée que celle calculée en utilisant le pouvoir calorifique supérieur. Aux États-Unis, toutes les efficacités des poêles à bois devraient être calculées par le pouvoir calorifique supérieur. La meilleure façon d'atteindre des efficacités optimales est d'apprendre les caractéristiques de brûlage de votre appareil et du bois bien séché. Des taux de combustion plus élevés ne sont pas toujours les meilleurs taux de combustion; après qu'un bon feu est établi, un taux de combustion plus bas peut être la meilleure option pour un chauffage efficace. Un taux de combustion plus bas ralentit la sortie du flux de chaleur utilisable hors de la maison par la cheminée, et il consomme également moins de bois.

## EFFICACITÉ

- Ne surchauffez pas votre poêle. Si une partie du poêle commence à rougir, une surchauffe se produit.
- Réajustez la commande d'admission d'air au niveau de réglage le plus bas.
- L'installation d'un porte-bûche ou de grilles dans votre poêle à bois n'est pas recommandée. Créez le foyer directement sur les briques réfractaires.
- Ne mettez jamais de bois au-dessus du revêtement en briques réfractaires du foyer.
- Tenter d'atteindre un taux de puissance calorifique dépassant les spécifications de conception du chauffage peut lui causer des dommages permanents, ainsi qu'au catalyseur de postcombustion s'il est présent.

## AVERTISSEMENTS

La méthode descendante de préparation d'un feu est recommandée pour cet appareil. Après vous être assuré que les contrôles de prise d'air du poêle sont entièrement ouverts (complètement tirés vers vous), placez les plus grosses pièces de bois au bas en parallèle, et assez près l'une de l'autre. Les secondes pièces sont placées en travers de la couche, en travers aux premières. Une troisième couche de plus petites pièces est déposée en travers de la seconde, cette fois avec un certain espace entre elles. Ensuite, déposez une quatrième couche de bois d'allumage et de papier journal chiffonné sur le dessus de la pile.

Avant d'allumer le papier et le bois d'allumage, il vous est recommandé de chauffer la cheminée. Cela est réalisé afin d'éviter les problèmes de contre-explosion souvent dus à une pression négative dans la maison. Si tel est le cas, ouvrez légèrement une fenêtre près du poêle et tordez ensemble quelques feuilles de papier journal en forme de torche. Allumez cette torche en papier et maintenez-la aussi près que possible de la bouche du tuyau à l'intérieur de la chambre de combustion pour chauffer la cheminée. Une fois que le courant ascendant est initié, vous êtes prêt pour allumer le poêle en allumant le papier et le bois d'allumage à l'intérieur de la chambre de combustion.

Lorsque vous avez obtenu un bon lit de braises chaudes, nous recommandons les procédures de chauffage suivantes:

Régler le registre à coulisser au centre du poêle		Régler le registre à partir de la position complètement fermée	
Le registre à coulisser est situé au centre du poêle sous le plateau du foyer		1/8" (3.2mm)	
(Régler le registre : Tirer sur le registre augmentant l'air)		1/4" (6.3mm)	
Régler les principaux d'air		1-1/8" (12.7mm)	
Élevée		Élevée	
Moyenne -		Moyenne -	
Faible		Faible	
Vitesse de combustion		Vitesse de la soufflante	
Tous les minutes		Tous les minutes	
Élevée		Élevée	

**ATTENTION :** Ne modifiez jamais le registre à coulisser ou la plage de réglage afin d'augmenter la combustion pour quelque raison que ce soit. Le faire peut entraîner des dommages de l'appareil de chauffage et annulera votre garantie.

**CHAUFFAGE**

Une combustion maîtrisée est la technique la plus efficace de chauffage au bois car elle vous permet de sélectionner le type de combustion que vous souhaitez pour chaque situation donnée. Le bois brûlera lentement si la commande d'admission d'air du poêle à bois est réglée pour réduire l'approvisionnement en oxygène dans la chambre de combustion au minimum. D'autre part, le bois brûlera rapidement si la commande d'air est réglée pour laisser une plus grande quantité d'oxygène dans la chambre de combustion. La commande d'admission d'air de votre poêle est très simple. Si vous la tirez complètement vers vous, elle est complètement ouverte. Si vous la poussez jusqu'à ce qu'elle s'arrête, l'air de combustion est réduit au minimum. Les conditions de fonctionnement réelles peuvent donner des résultats très différents de ceux obtenus lors des tests selon les espèces de bois utilisées, leur humidité, la taille et la densité des pièces, la longueur de la cheminée, l'altitude et la température extérieure.

Il est EXTREMEMENT IMPORTANT que vous utilisiez uniquement du BOIS SEC dans votre poêle à bois. Le bois devra avoir séché durant 9 à 15 mois, de telle sorte que l'humidité (par rapport au poids) soit réduite en deçà de 20% du poids de la bûche. Il est très important de garder à l'esprit que même si le bois a été coupé une, deux ou même plusieurs années auparavant, il n'est pas nécessairement sec, s'il a été entreposé dans de mauvaises conditions. Dans des conditions extrêmes, il peut pourrir au lieu de sécher. Ce point ne peut pas être exagéré ; la grande majorité des problèmes liés au fonctionnement d'un poêle à bois est due au fait que le bois utilisé soit trop tendre ou ait séché dans de mauvaises conditions. Ces problèmes peuvent être :

- problèmes d'allumage
- accumulation de crésote provoquant des feux de cheminée
- rendement énergétique faible
- fentes noircies
- combustion incomplète des bûches

Les pièces de bois plus petites sécheront plus rapidement. Toutes les bûches qui dépassent 6" de diamètre devront être fendues. Le bois ne devra pas être entreposé directement sur le sol. L'air devra circuler à travers le cordon. Une couche d'air de 24" à 48" devra être maintenue entre chaque rangée de bûches, qui devront être placées dans un lieu le plus ensoleillé possible. La couche supérieure de bois devra être protégée contre les éléments mais pas les côtés.

## **TESTER VOTRE BOIS**

Quand le poêle est totalement chauffé, placez une pièce de bois fendue (environ cinq pouces de diamètre) parallèlement à la porte sur le lit de braises rouges. Maintenez la commande d'air complètement ouverte en tirant dessus et fermez la porte. Si l'allumage de la pièce se fait en moins de 90 secondes, à partir du moment où elle a été placée dans le poêle, votre bois a séché correctement. Si l'allumage est plus long, votre bois est humide. Si votre bois siffle et que de l'eau ou de la vapeur s'échappent des extrémités de la pièce, votre bois est trempé ou a été fraîchement coupé. N'utilisez pas ce bois dans votre poêle. De grandes quantités de crésote peuvent se déposer dans votre cheminée, créant de possibles conditions de feu de cheminée.

## **LES PREMIERS FEUX**

La peinture fraîche de votre poêle a besoin d'être cuite pour préserver sa qualité. Une fois que le combustible est correctement allumé, faites uniquement brûler de petits feux dans votre poêle lors des quatre premières heures de fonctionnement. N'ouvrez jamais la commande d'air plus que nécessaire afin d'obtenir une vitesse de combustion moyenne. Assurez-vous que la circulation d'air soit suffisante lors du traitement du poêle. Les odeurs pourront s'échapper lors des 3 ou 4 premiers feux. Ne démarrez jamais votre poêle à l'extérieur. Vous ne serez pas en mesure de constater si vous surchauffez. entièrement sec et devrait être laissé à sécher plus longtemps.

## **TAMPER AVERTISSEMENT**

Ce chauffage au bois a un taux de combustion minimum réglé à la fabrication, et qui ne peut être modifié. La modification de ce réglage ou une utilisation autre de ce chauffage au bois qui ne respecterait pas les directives du présent manuel contrevient aux réglementations fédérales.

## AIR DE COMBUSTION EXTÉRIEUR

Votre poêle en bois est certifié pour une installation comprenant une arrivée d'air extérieur, ce qui est nécessaire pour les maisons bien isolées ou ayant un problème de pression négative. Vous pouvez vous procurer cette option chez votre vendeur de chauffage ou votre quincaillerie. Le meilleur choix sera d'utiliser une bouche d'aération de séchoir semi-rigide de 10 centimètres (4 pouces). La hotte extérieure ne doit pas avoir un aérateur à lames, seulement une grille de protection contre les rongeurs.

1. Votre poêle n'aspire pas de façon continue, une dispersion des fumées a lieu, le bois brûle mal, ou des contre-explosions se produisent qu'il y ait ou non des matières combustibles.
2. Les appareils à foyer existants au sein du domicile, tels que des cheminées ou d'autres appareils de chauffage, émettent des odeurs, ne fonctionnent pas correctement, émettent des fumées lorsqu'ils sont ouverts ou des contre-explosions se produisent qu'il y ait ou non des matières combustibles.
3. Ouvrir légèrement une fenêtre lors d'un jour calme (sans vent) réduit les symptômes ci-dessus.
4. La maison est équipée d'un pare-vapeur parfaitement étanche et de fenêtres bien ajustées et/ou dispose d'appareils électriques qui expulsent l'air de la maison.
5. Il y a une condensation excessive sur les vitres en hiver.
6. Un système de ventilation est installé dans la maison.

## UTILISATION DU POÊLE À BOIS

### NE PAS BRÛLER:

1. Des ordures;
  2. Des déchets de fonte ou résidus de jardin;
  3. Des matériaux contenant du caoutchouc,
  4. Matériaux contenant du plastique;
  5. Des déchets de produits du pétrole, des peintures ou diluants à peinture, ou des produits d'asphalte;
  6. Matériaux contenant de l'amiant;
  7. Débris de construction ou de démolition;
  8. Traverses de voie ferrée ou bois traité sous pression;
  9. Fumier ou restes d'animaux;
- Le brûlage de ces matériaux peut causer des émanations de fumées toxiques ou rendre le chauffage inefficace en raison de la fumée.

Le bois mort tombé des arbres doit être considéré comme étant mouillé et doit donc être séché. Le bois mort peut normalement être considéré comme sec à 66%. Fendre et empiler le bois avant de l'entreposer accélère son séchage. Entrez le bois sur une surface surélevée du sol et sous un espace abrité de la pluie ou de la neige, accélérera le temps de séchage. Un bon indicateur pour savoir si le bois est prêt à brûler est de vérifier les extrémités du morceau. Si elles sont fendues de toutes parts à partir du centre, le bois devrait donc être suffisamment sec. Si votre bois grésille quand il brûle, même si la surface est sèche, il pourrait ne pas être entièrement sec et devrait être laissé à sécher plus longtemps.

TYPE	POIDS (LBS, CU. FT., À VIDE)	PAR CORDON	CLASSEMENT D'EFFICACITÉ	SE FEND	MILLIONS BTU/ CORDON
Hickory	63	4500	1,0	Bien	31,5
Chêne blanc	48	4100	0,9	Correct	28,6
Chêne rouge	46	3900	0,8	Correct	27,4
Hêtre	45	3800	0,7	Dur	26,8
Erable à sucre	44	3700	0,6	Correct	26,2
Chêne noir	43	3700	0,6	Correct	25,6
Frêne	42	3600	0,5	Bien	25,0
Bouleau jaune	40	3400	0,4	Dur	23,8
Erable rouge	38	3200	0,3	Correct	22,6
Bouleau à papier	37	3100	0,3	Facile	22,1
Orme/Platane	34	2900	0,2	Très difficile	20,1
Épinette rouge	29	1800	0,1	Facile	16,1



# PASSAGES DE RACCORDEMENT DE CHEMINÉE À TRAVERS UNE PAROI COMBUSTIBLE

**Méthode A.** Dégagement de 12" (304,8 mm) avec un membre de paroi combustible : En utilisant des briques d'une épaisseur minimale de 3,5" (89 mm) et un revêtement en argile d'une épaisseur minimale de 5/8" (15,9 mm), construisez un passage à travers la paroi. Le revêtement en argile doit être conforme à l'ASTM C315 (spécification standard des revêtements réfractaires en argile) ou son équivalent. Maintenez un minimum de 12" (304,8 mm) de maçonnerie en briques entre le revêtement en argile et les matériaux combustibles de la paroi. Le revêtement en argile devra s'étendre de la surface extérieure du carneau de la cheminée mais pas au-delà de la surface intérieure. Coulez ou cimenter fermement le revêtement en argile en place dans le revêtement du carneau de la cheminée.

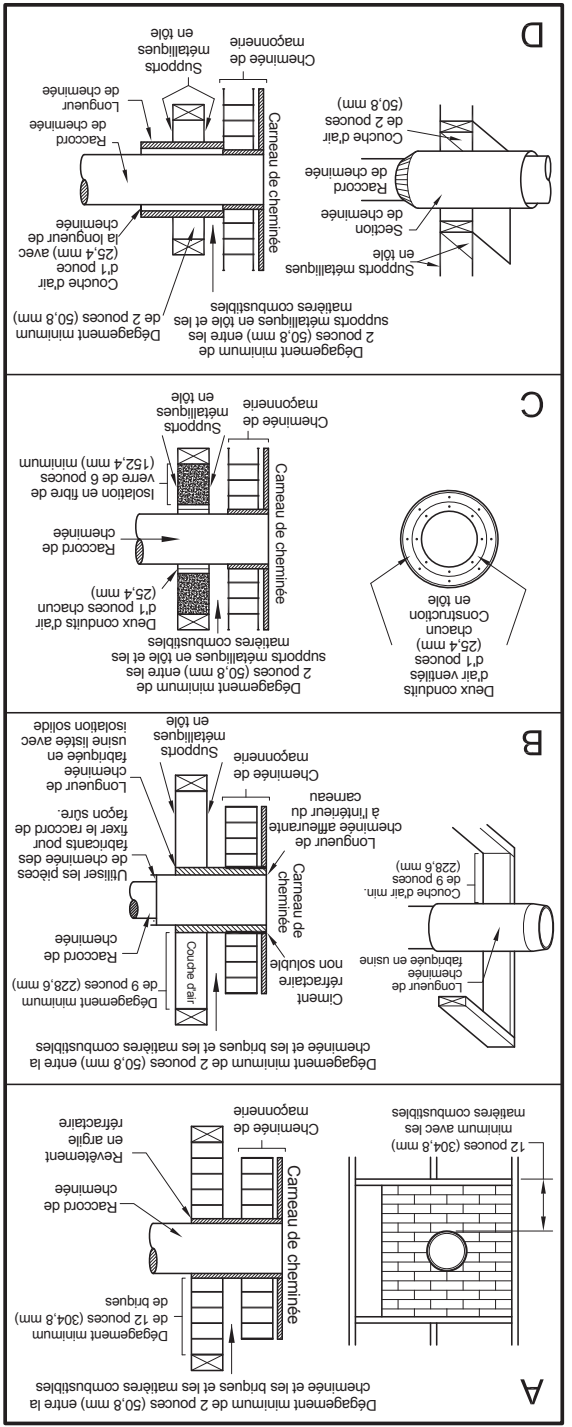
**Méthode B.** Dégagement de 9" (228,6 mm) avec un membre de paroi combustible : En utilisant une partie de cheminée Solid-Pak fabriquée en usine, agréeée, de 6" (152,4 mm) de diamètre intérieur avec une isolation de 1" (25,4 mm) ou plus, construisez un passage à travers la paroi avec une couche d'air de 9" (228,6 mm) minimum entre la paroi extérieure de la longueur de la cheminée et les matériaux combustibles de la paroi. Utilisez des supports en tôle fixés de façon sûre aux surfaces de la paroi sur tous les côtés afin de maintenir une couche d'air de 9" (228,6 mm). Lors de la fixation des supports sur la longueur de la cheminée, ne pénétrez pas dans le revêtement de la cheminée de la cheminée, fabriquée en tôle usinée avec isolation solide.

**Méthode C.** Dégagement de 6" (152,4 mm) avec un membre de paroi combustible : En commençant avec un raccord de cheminée métallique de 6" (152,4 mm) de diamètre, et un manchon mural ventilé de calibre 24 minimum ayant deux conduits d'air de 1" (25,4 mm) chacun, construisez un passage à travers la paroi. Il devra y avoir une zone de séparation de 6" (152,4 mm) minimum contenant une isolation en fibre de verre, à partir de la surface extérieure du manchon mural jusqu'aux matériaux combustibles de la paroi. Soutenez le manchon mural et couvrez son ouverture avec un support métallique en tôle de calibre 24 minimum. Maintenez un espace de 6" (152,4 mm). Il devra également y avoir un support dimensionné pour adapter et maintenir le raccord de cheminée métallique. Vérifiez que les supports soient fixés de façon sûre aux surfaces de la paroi sur tous les côtés. Assurez-vous que les éléments de fixation utilisés pour maintenir le raccord de cheminée métallique ne pénétrant pas dans le revêtement du carneau de la cheminée.

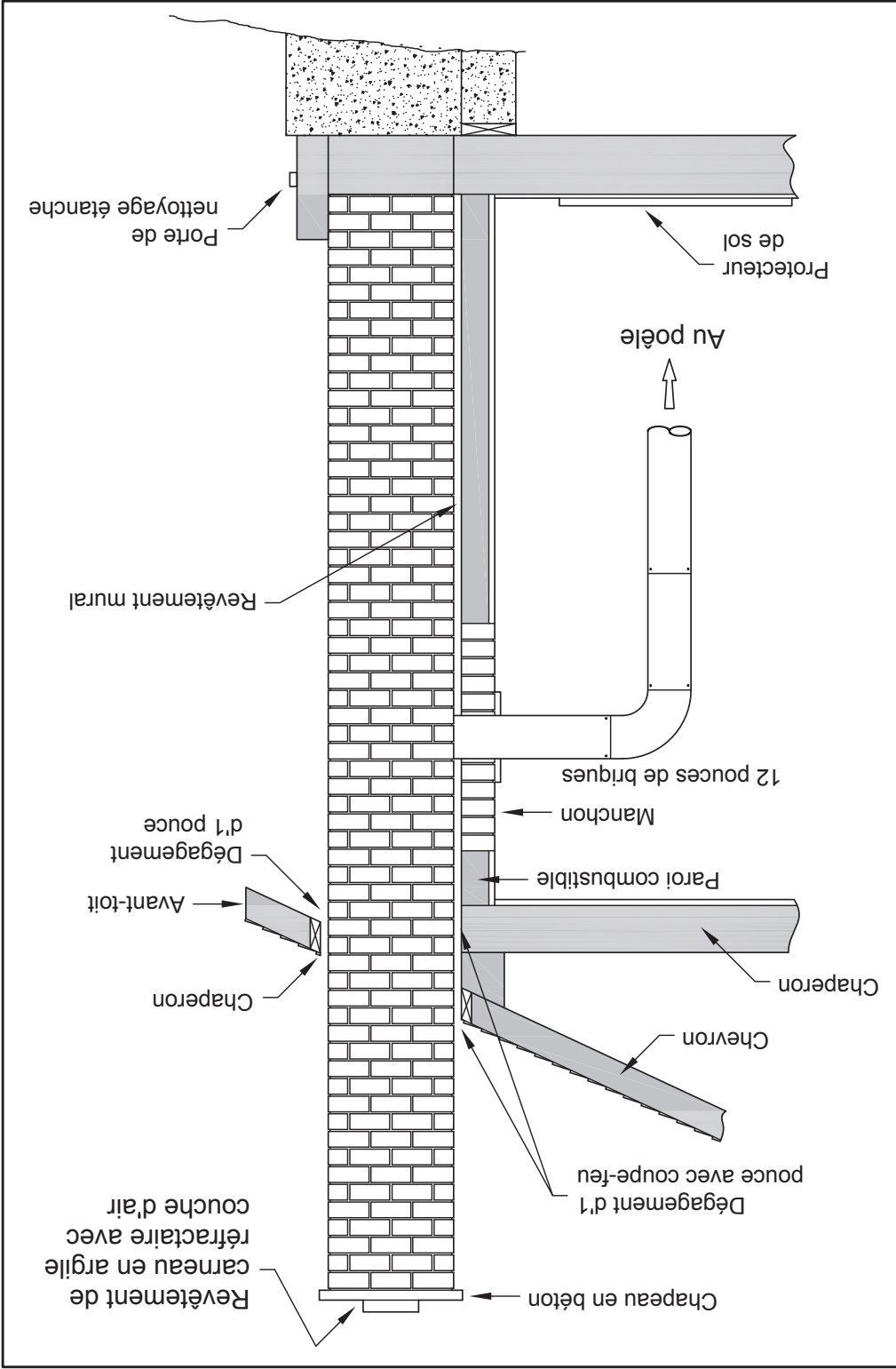
**Méthode D.** Dégagement de 2" (50,8 mm) avec un membre de paroi combustible : Commencez avec une partie de cheminée Solid-Pak fabriquée en usine, agréeée, d'au moins 12" (304 mm) de diamètre intérieur avec une isolation de 1" (25,4 mm) ou plus, et un raccord de cheminée de 8" de diamètre plus grand que celui de 6" [152,4 mm]. Utilisez celle-ci comme passage pour un raccord de cheminée métallique pour paroi unique de calibre 24 minimum. Maintenez la section concentrique solid-pak avec le raccord de la cheminée et à une distance de 1" (25,4 mm) de ce dernier grâce aux platines-supports en tôle situées aux deux extrémités de la section de la cheminée. Couvrez l'ouverture et soutenez la section de la cheminée. Utilisez des supports métalliques en tôle de calibre 24 minimum. Vérifiez que les supports soient fixés de façon sûre aux surfaces de la paroi sur tous les côtés. Assurez-vous des éléments de fixation utilisés pour maintenir le conduit de carneau de la cheminée.

## REMARQUES:

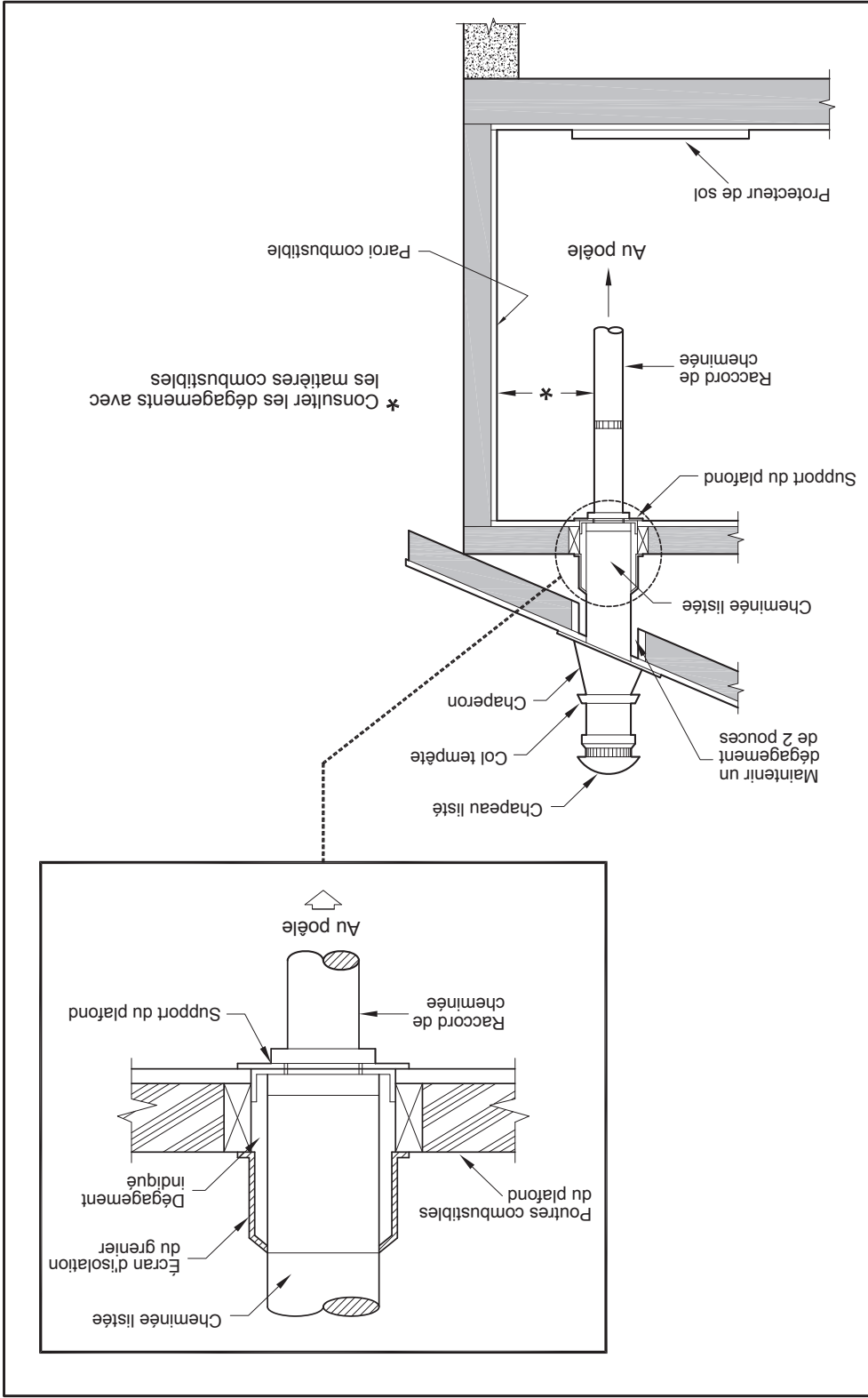
1. Les raccords d'une cheminée de maçonnerie, sauf ceux de la méthode B, devront s'étendre sur une section continue à travers le système de passage mural et la paroi de la cheminée, jusqu'à la surface du revêtement intérieur du carneau mais sans le dépasser.
2. Un raccord de cheminée ne devra pas passer à travers un grenier ou un espace du toit, des toillettes ou des espaces confinés similaires, un plancher ou un plafond.



Assurez-vous qu'une cheminée en maçonnerie répondre aux standards minimum de l'Association nationale de protection contre les incendies (NFA) en la faisant inspecter par un professionnel. Assurez-vous qu'il n'y ait pas de fissures, de mortiers perdus ou d'autres signes de détérioration et de blocage. Faites nettoyer la cheminée avant d'installer et de faire fonctionner le poêle. Lors du raccordement du poêle à travers une paroi combustible vers une cheminée en maçonnerie, des méthodes spéciales sont requises.



Lorsqu'une cheminée métallique préfabriquée est utilisée, les instructions d'installation du fabricant doivent être respectées. Vous devez également acheter (après du même fabricant) et installer l'ensemble de support du toit ou le passage du toit et l'ensemble de la partie en "T", des coupe-feux (si nécessaires), un écran d'isolation, un chaperon de toiture, un chapeau de toiture, un dégagement approprié avec la structure tel que recommandé par le fabricant. La cheminée doit avoir la hauteur requise au-dessus du toit ou d'autres obstructions pour des raisons de sécurité et un bon tirage.



1. NE CONNECTEZ PAS CETTE UNITÉ À UN CARNEAU DE CHEMINÉE UTILISÉ PAR UN AUTRE APPAREIL.

2. Elle doit s'élever au-dessus du toit d'au moins 3' (0,9 m) à partir du point le plus haut de contact.

3. La cheminée doit dépasser toute partie de la construction ou autre obstruction à moins de 10' (3,04 m) d'une hauteur de 2' (0,6 m).

4. L'installation d'une cheminée intérieure est toujours préférable à une cheminée extérieure. En effet, la cheminée intérieure, sera, par définition, plus chaude qu'une cheminée extérieure, étant donné qu'elle est chauffée par l'air ambiant de la maison. Par conséquent, le gaz qui circule se refroidira plus lentement, réduisant ainsi l'accumulation de crésote et le risque de feux de cheminée.

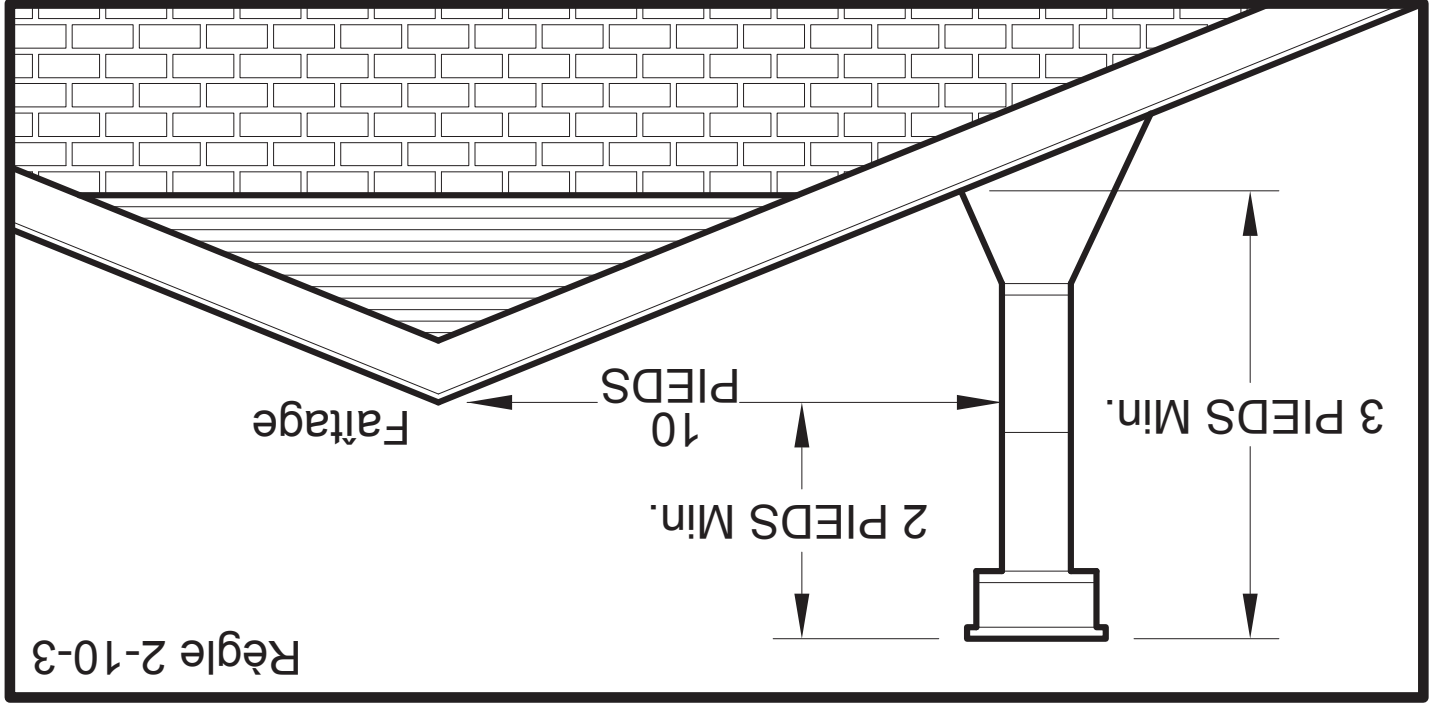
5. Le tirage entraîné par la tendance de l'air chaud à s'élever sera augmenté avec une cheminée intérieure. L'utilisation d'un pare-feu à l'extrémité de la cheminée requiert une inspection régulière afin de garantir qu'il n'est pas obstrué, bloquant donc le tirage et devra être nettoyé lorsqu'il est utilisé régulièrement.

Les recommandations suivantes peuvent être utiles pour l'installation de votre cheminée :

Le diamètre intérieur du carneau de cheminée doit être identique à l'aspiration des fumées du poêle. Un carneau trop petit peut entraîner des problèmes de tirage, tandis qu'un grand carneau favorise un refroidissement rapide des gaz, et donc l'accumulation de crésote et le risque de feux de cheminée. Remarquez que c'est la cheminée et non le poêle qui crée l'effet de tirage ; les performances de votre poêle dépendent directement du bon tirage de votre cheminée.

Si vous utilisez une cheminée en maçonnerie, il est important qu'elle soit construite conformément aux spécifications du Code national de construction. Elle doit être revêtue de briques en argile réfractaires, de tuiles métalliques ou en argile scellées ensemble avec un ciment réfractaire. (Les carneaux cylindriques sont les plus efficaces).

Le diamètre intérieur de cheminée doit être identique à l'aspiration des fumées du poêle. Un carneau trop petit peut entraîner des problèmes de tirage, tandis qu'un grand carneau favorise un refroidissement rapide des gaz, et donc l'accumulation de crésote et le risque de feux de cheminée. Remarquez que c'est la cheminée et non le poêle qui crée l'effet de tirage ; les performances de votre poêle dépendent directement du bon tirage de votre cheminée.



## RACCORD DE CHEMINÉE (TUYAU PUSSE)

Votre raccord de cheminée et votre cheminée doivent avoir le même diamètre que la sortie du poêle (6"). Si ce n'est pas le cas, nous vous recommandons de contacter votre vendeur afin de vous assurer qu'il n'y aura aucun problème de tirage.

Le tuyau de poêle doit être fabriqué dans un acier laminé à froid d'une épaisseur minimale de 0,021" ou 0,53 mm. Il est strictement interdit d'utiliser un acier galvanisé.

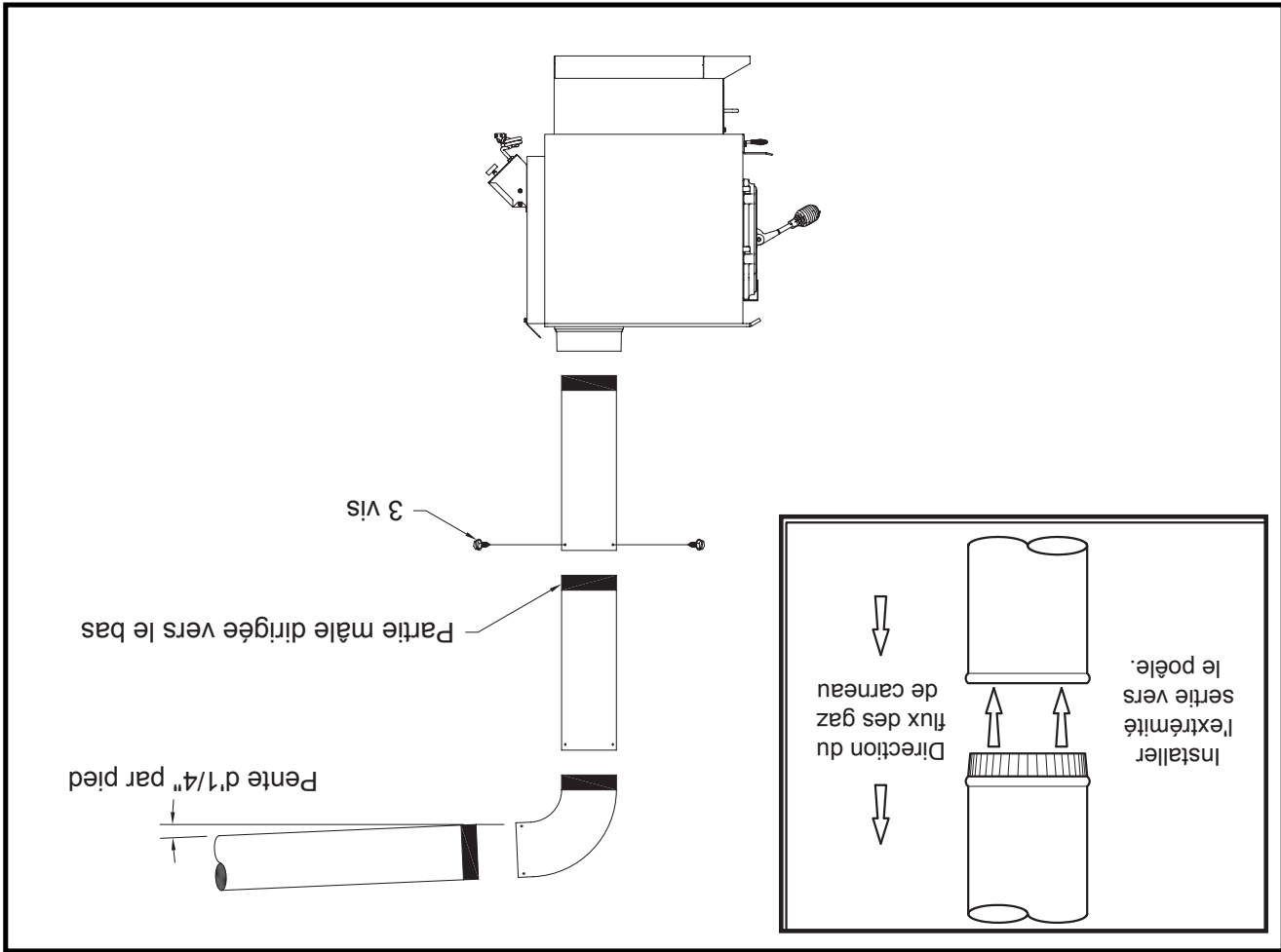
Votre tuyau de fumée devra être assemblé de telle sorte que la partie mâle (extrémité sertie) du tuyau pointe vers le bas. Fixez chacune des parties à une autre avec trois vis à tôle équidistantes.

Le tuyau doit être court et droit. Toutes les parties installées horizontalement doivent avoir une pente d'au moins 1/4 de pouces par pied, avec l'extrémité supérieure de la partie dirigée vers la cheminée. Une installation avec une section horizontale de tuyau de cheminée doit être conforme à NFPA 211. Vous pouvez contacter la NFPA (Association nationale de protection contre les incendies) et demander la dernière édition du standard 211 de la NFPA.

Pour assurer un bon tirage, la longueur totale du tuyau de raccordement ne devra jamais dépasser 8' à 10' (2,4 m à 3,04 m). (Excepté dans le cas d'installations verticales, de type plafond cathédrale où le système d'aspiration des fumées peut être beaucoup plus long et raccordé sans problème au plafond de la pièce).

Il ne devra jamais y avoir plus de deux coudes à 90 degrés dans le système d'aspiration des fumées. L'installation d'un « stabilisateur de tirage barométrique » (registre de cheminée) sur un système d'aspiration des fumées est interdite.

De plus, l'installation d'un registre de tirage n'est pas recommandée. En effet, avec un poêle à bois de combustion contrôlée, le tirage est réglé dès l'admission de l'air de combustion dans le poêle et non à l'évacuation.

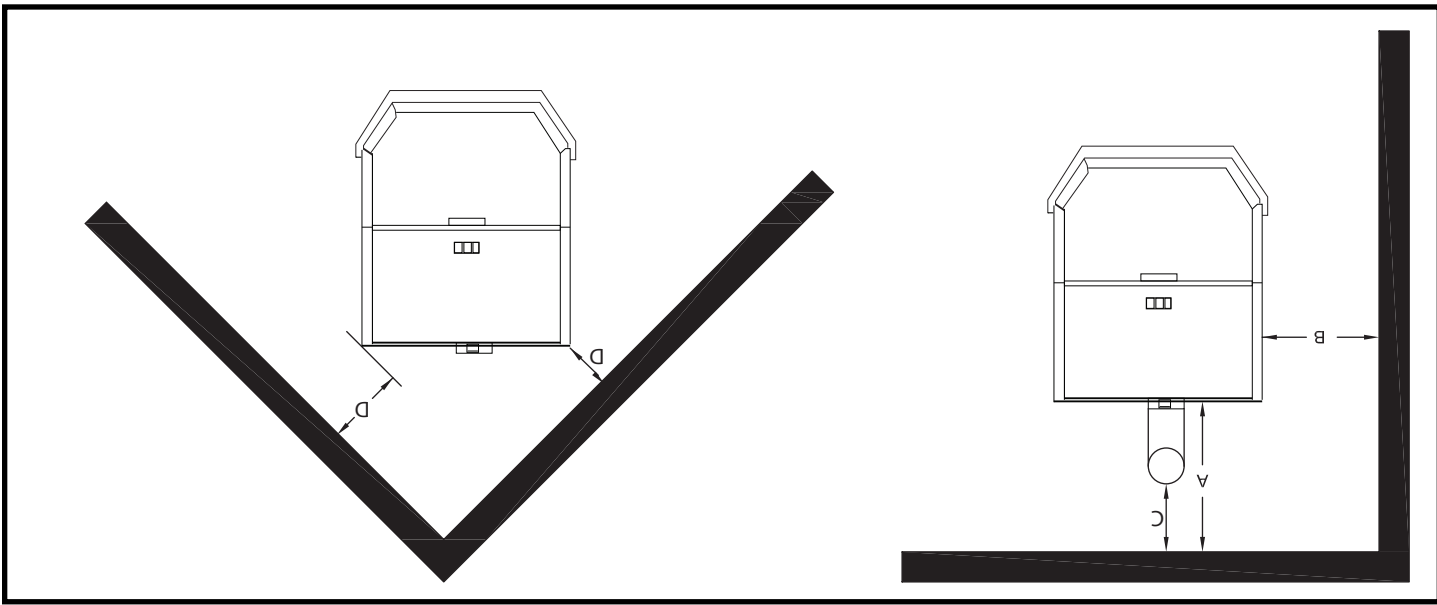


## IMPORTANT D'UN TIRAGE ADEQUAT

Le tirage est une force déplaçant l'air de l'appareil vers la cheminée. La quantité de tirage dans votre cheminée dépend de la longueur de la cheminée, son emplacement géographiquement local, les obstructions à proximité et d'autres facteurs. Trop de tirage peut causer des températures excessives dans l'appareil et pourrait endommager. Un tirage inadéquat peut causer des retours de fumée dans la pièce et causer l'obturation de la cheminée. Un tirage inadéquat causera des fuites de fumée par l'appareil dans la pièce, s'infiltrant par l'appareil, et les joints du conduit de raccordement. Un brûlage incontrôlable ou une température excessive indique un tirage excessif.

## DÉGAGEMENTS AVEC LES MATIÈRES COMBUSTIBLES

Il est extrêmement important que les dégagements avec les matières combustibles soient strictement respectés lors de l'installation du poêle. Consultez les tableaux ci-dessous:



Tuyau pour paroi unique:

Modèle	A	B	C	D	E	F
3000	14 (358mm)	20 (508mm)	17.5 (445mm)	30.5 (775mm)	11 (279mm)	24 (610mm)

- La hauteur entre le sol et le plafond doit être d'au moins 7' (2,13 m) dans tous les cas.
- Ne placez aucune matière combustible à moins de 4' (1,2 m) de l'avant de l'unité.
- Le dégagement entre le tuyau de carneau et un mur est valable uniquement pour les murs verticaux et pour un tuyau de carneau vertical.
- Le raccord de cheminée ne doit pas passer à travers un grenier ou un espace du toit, des toilettes ou des espaces confinés similaires, un plancher ou un plafond.
- Dans une installation canadienne dans laquelle un passage à travers un mur, ou une partie de construction combustible est souhaitée, l'installation doit être conforme à CAN/CSA-B365.
- Un tuyau de carneau traversant une paroi combustible doit avoir un dégagement minimum de 18" (457,2 mm).
- Pour réduire les dégagements de carneau avec les matériaux combustibles, contactez votre service local de sécurité.

## PROTECTEUR DE SOL

Votre poêle à bois devra être placé sur une surface non combustible d'1 pouce avec un facteur k de 0,84. Pour les protecteurs à couches multiples, ajoutez les valeurs R de chaque couche afin de déterminer la valeur R totale. La valeur R pour le panneau requis est de 1,2. Le protecteur de sol devra se trouver sous le poêle, vingt-six pouces au-delà de la partie avant et six pouces au-delà de chaque côté du chargement du combustible et de l'ouverture pour le retrait des cendres. S'il y a une section horizontale du raccord de cheminée, le protecteur de sol devra passer sous celui-ci et dépasser de deux pouces de chaque côté.

Caractéristique de la conversion à la valeur R :

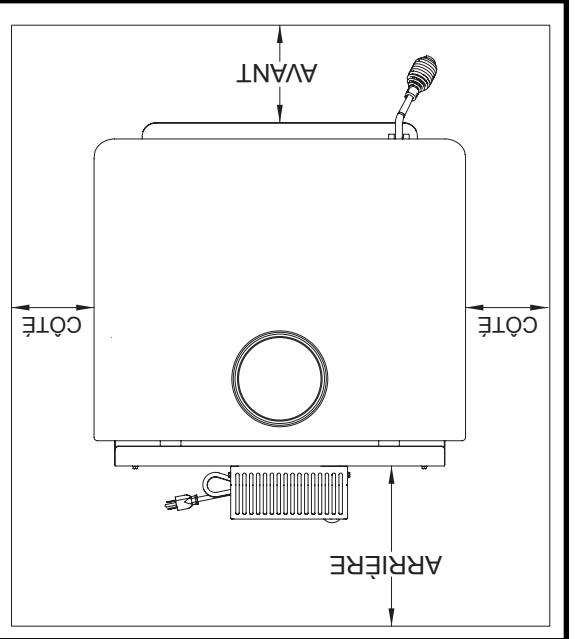
le facteur k est donné avec une épaisseur (T) requise en pouces :  $R = 1/k \times T$   
 le facteur est donné par :  $R = 1/C$

Exemple :

Si le protecteur de sol est fait de briques de 4" avec un facteur C de 1,25 au-dessus d'un panneau minéral de 1/8" avec un facteur "k" de 0,29 la valeur R du système est :

4" de briques C = 1,25, R = 1/1,25 = 0,8  
 Panneau minéral 1/8" K = 0,29, R = 1/0,29 x 0,125 = 0,431  
 R total = Rbriques + Rminéral = 0,8 + 0,431 = 1,231  
 R total est supérieur à 1,2, le système est acceptable.

Le protecteur de sol devra dépasser le poêle comme suit :



Modèle	Avant	26" (660 mm)	3000
Côtés	8" (203 mm)	6" (152 mm)	
Arrière			

Il est très important de positionner le poêle à bois aussi près que possible de la cheminée, et dans une zone qui favorisera la distribution de chaleur la plus efficace possible au sein du domicile. Le poêle doit par conséquent être installé dans la pièce où vous passez le plus de temps, et dans la pièce la plus spacieuse possible. Rappelez-vous que les poêles à bois produisent une chaleur rayonnante, la chaleur que nous sentons lorsque nous sommes à proximité d'un poêle à bois. Un poêle à bois fonctionne aussi par convection, grâce au déplacement de l'air chaud accéléré vers le haut et son remplacement par de l'air plus frais. Si nécessaire, la distribution d'air chaud à partir du poêle peut être facilitée par l'installation d'une soufflante.

Le poêle à bois ne doit pas être raccordé à un système de distribution d'air chaud car une accumulation excessive de chaleur pourrait avoir lieu.

Un poêle à bois ne doit jamais être installé dans un couloir ou près d'un escalier, car cela pourrait bloquer le passage en cas d'incendie ou ne pas respecter les dégagements requis.

## **POSITIONNER LE POÊLE**

- AVIS DE SÉCURITÉ**
- L'INSTALLATION INCORRECTE DE CE POÊLE POURRAIT ENTRAÎNER L'INCENDIE DU DOMICILE. AFIN DE RÉDUIRE LE RISQUE D'INCENDIE, RESPECTEZ LES INSTRUCTIONS D'INSTALLATION. NE PAS RESPECTER LES INSTRUCTIONS PEUT ENTRAÎNER DES DOMMAGES MATÉRIELS, DES BLESSURES PERSONNELLES VOIRE LA MORT !
  - CONSULTEZ LES FONCTIONNAIRES MUNICIPAUX DE CONSTRUCTION OU DE LUTTE CONTRE LES INCENDIES AFIN DE CONNAÎTRE LES LIMITATIONS ET LES EXIGENCES D'INSTALLATION DE VOTRE RÉGION.
  - UTILISEZ DES DÉTECTEURS DE FUMÉE DANS LA PIÈCE DANS LAQUELLE LE POÊLE EST INSTALLÉ.
  - MAINTENEZ LE MOBILIER ET LES RIDEAUX ÉLOIGNÉS DU POÊLE.
  - N'UTILISEZ PAS D'ESSENCE, DE COMBUSTIBLE POUR LANTERNE À ESSENCE, DE KÉROËNE, DE LIQUIDE D'ALLUMAGE DE CHARBON OU DE LIQUIDES SIMILAIRES POUR DÉMARQUER OU « RAVIVER » UN FEU DANS CE POÊLE. MAINTENEZ TOUS CES LIQUIDES ÉLOIGNÉS DU POÊLE.
  - EN CAS D'INCENDIE DE CHEMINÉE, FERMEZ COMPLÈTEMENT LA COMMANDE D'AIR AFIN DE PRIVER LE FEU D'OXYGÈNE. APPELEZ LES POMPIERS.
  - NE CONNECTEZ PAS LE POÊLE À UN CONDUIT OU CIRCUIT DE DISTRIBUTION D'AIR.
  - UNE SOURCE D'AIR FRAIS DANS LA PIÈCE OU L'ESPACE CHAUFFÉ DEVRA ÊTRE FOURNIE SI NÉCESSAIRE.

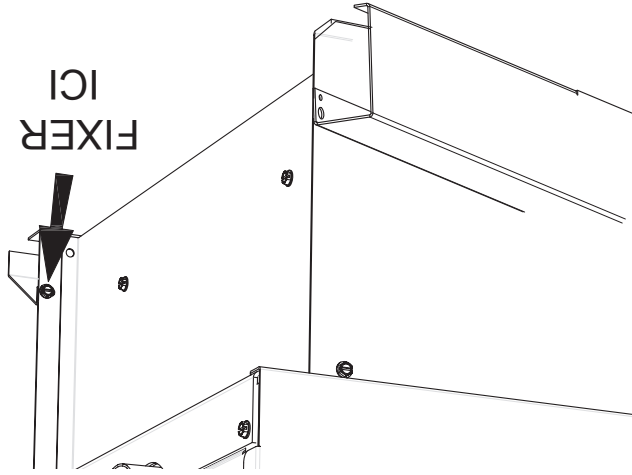
# **INSTALLATION**



# INSTRUCTIONS D'ASSEMBLÉE

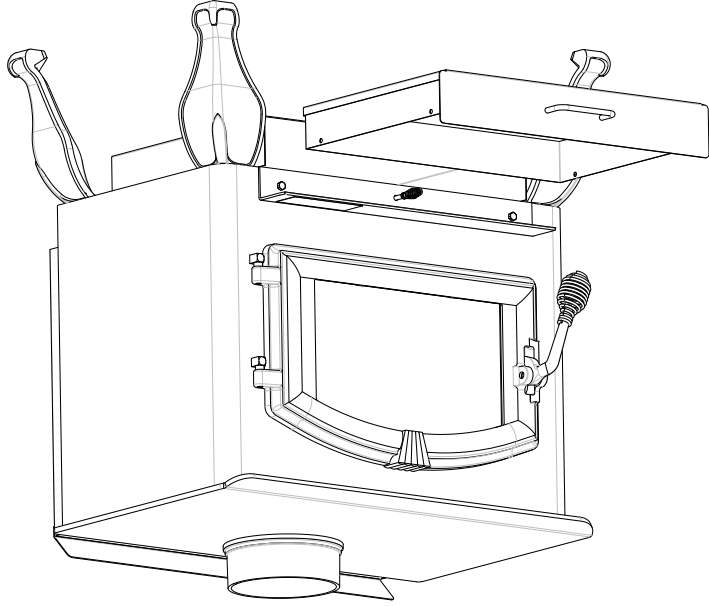
## ASSEMBLAGE DE L'HABILAGE DU SOCLE

Fixez-le à la base du socle à l'endroit indiqué en utilisant les vis fournies.



## ASSEMBLÉE DE CASSEROLE DE CENDRE

Enlevez la casserole de cendre du foyer. Sous le foyer, il y a deux parenthèses. Glissez la casserole de cendre dans ces parenthèses.



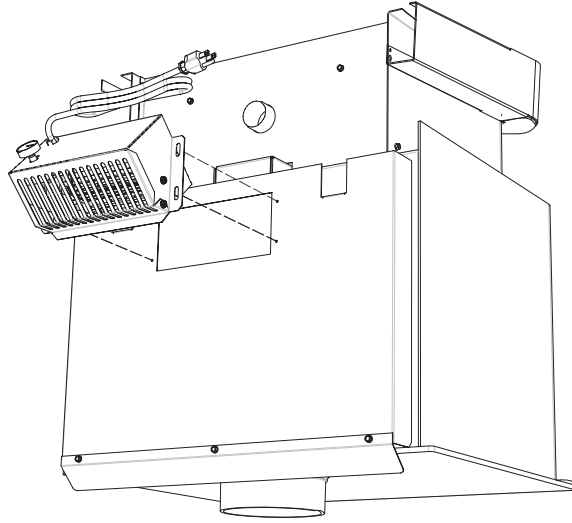
## VENTILATEUR INSTRUCTIONS

L'ENSEMBLE DE LA SOUFFLANTE DOIT ÊTRE DÉCONNECTÉ DE LA SOURCE D'ALIMENTATION ÉLECTRIQUE AVANT LE DÉMARRAGE DE L'INSTALLATION.

N'ACHEMINÉZ PAS LE CORDON D'ALIMENTATION À PROXIMITÉ OU SUR DES SURFACES CHAUDES !

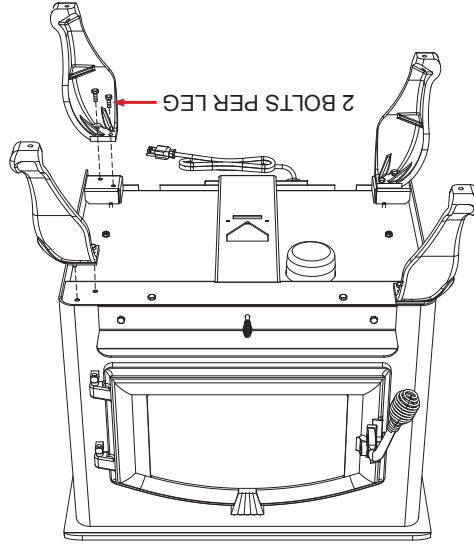
L'ENSEMBLE DE LA SOUFFLANTE EST PRÉVU POUR ÊTRE UTILISÉ UNIQUEMENT AVEC UN POÊLE MARQUÉ TEL QU'INDIQUÉ POUR CET USAGE.

Fixez l'ensemble au dos du poêle à l'aide des quatre vis fournies.



## ASSEMBLAGE DES PIEDS

Pour installer ou réparer, suivez ces instructions. À cause de son poids nous vous conseillons de vous faire aider pour mettre en position le poêle. Commencez par retirer toutes les briques rétractaires. Mettez délicatement le poêle sur le côté, en ayant pris le soin de placer des cales en bois en dessous du poêle pour que les pieds ne touchent pas le sol. Un bout de moquette peut aider à éviter de rayer le poêle. Une fois que vous avez attaché les pieds, remettez le poêle debout.



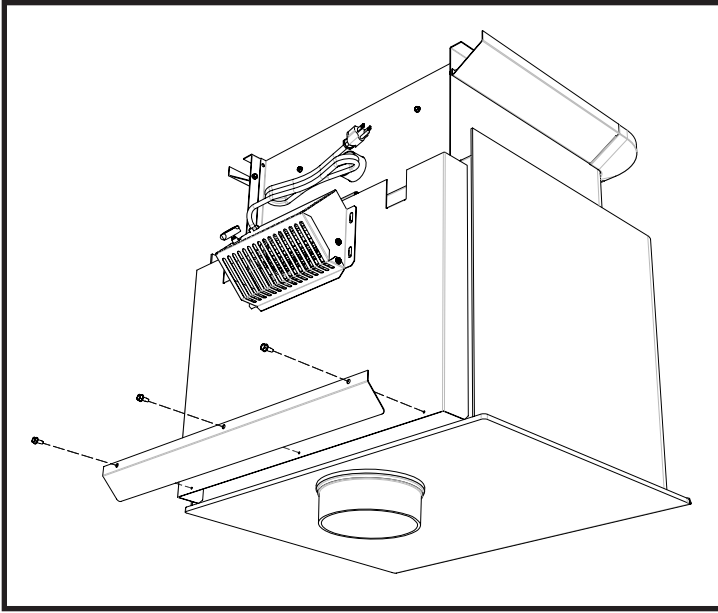
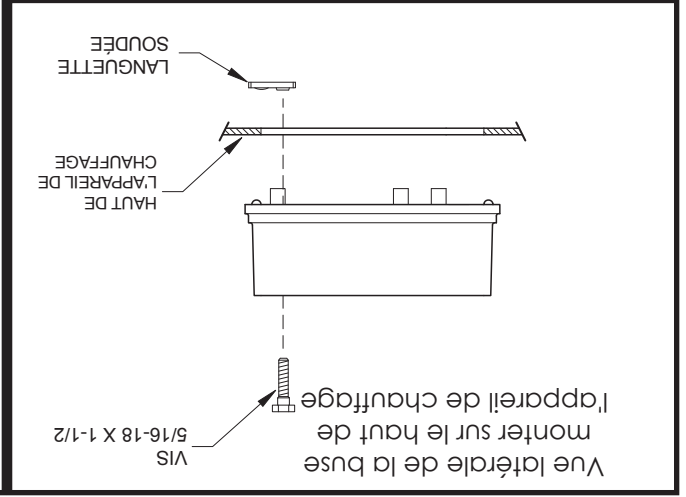
## OUTILS ET ÉQUIPEMENTS NÉCESSAIRES POUR L'INSTALLATION

Vous aurez besoin d'une perceuse équipée d'un foret de 1/8" afin d'installer les vis à tôle dans le raccord de conduite. Une clé/douille ou tournevis de 5/16" afin d'installer l'habillage du socle, le collecteur de la pièce et l'ensemble de la soufflante décrits ci-dessous. Une clé/douille de 2" pour installer la buse. Un protecteur de sol incombustible tel que spécifié dans ce manuel. Tous les composants de la cheminée et du raccord de cheminée nécessaires pour votre installation particulière de cheminée. Pour les maisons mobiles.

## ASSEMBLAGE

Assemblage de la buse:

1. Montez la buse sur le haut de l'unité tel qu'illustré en utilisant les (3) vis 5/16-18 x 1-1/2, (3) rondelles, et (3) languettes soudées fournies dans la boîte des pièces. Assemblage du collecteur de la pièce :
1. Positionnez le collecteur de la pièce. En utilisant les trois (3) vis autoperceuses fournies, montez le collecteur sur l'unité tel qu'illustré sur le schéma.
1. Configuration des briques rétractables :
1. Remettez les briques rétractables tel qu'indiqué sur l'illustration ci-dessous.



Configuration des briques



# FÉLICITATIONS

Vous avez acheté un poêle à bois ancien fabriquant de produits de combustion du bois d'Amérique du nord. En vous chauffant au bois, vous aidez à ÉCONOMISER DE L'ÉNERGIE !

Le bois est notre seule source d'énergie renouvelable. Veuillez contribuer à la préservation de nos ressources en bois. Plantez au moins un arbre chaque année. Les générations futures vous remercieront.

Les instructions relatives à l'installation de votre poêle à bois répondent aux normes UL-1482 et UL-C-5627. Ce manuel décrit l'installation et le fonctionnement du chauffage au bois, Country Hearth, 3000. Ce chauffage respecte les limites d'émission 2015 de bois en caisson de la U.S. Environmental Protection Agency pour les chauffages au bois solide après le 15 mai 2015. Sous les conditions spécifiques du test, ce chauffage a démontré un taux de chauffage de 11,624 à 38140 Btu/h.

Remarque : Les classifications BTU mentionnées ci-haut sont basées sur les protocoles de test EPA brûlant du bois de construction de dimensions courantes de sapin Douglas. Nos BTU publicisés sont basés sur la première heure de fonctionnement à un taux élevé de combustion brûlant du bois de corde.

Bois	Combustible :
Noir métallique	Couleurs :
6" (152.5mm)	Diamètre du tuyau de carneau :
Acier noir ou bronze 2100 °F (650 °C)	Type du tuyau de carneau : (Paroi unique standard) :
12" (3.7m)	Hauteur minimale de la cheminée :
21" (533.5mm)	Longueur maximale des bûches :
Dimensions	
29 1/2" x 27" x 28 5/8" (749mm x 686mm x 727mm)	Général : Profondeur x Largeur x Hauteur :
22 3/4" x 21" (578mm x 533mm)	Chambre de combustion : Largeur x Profondeur :
3.11 ft³ (.0881m³)	Volume : Pieds cubes :
16" x 8" (406.5mm x 203mm)	Ouverture de la porte : Largeur x Hauteur :
13 13/16" x 8 3/8" (351mm x 213mm)	Porte en verre pyrocéramique : (Visualisation) Largeur x Hauteur :
375 lbs (170kg)	Poids (lb) :

## AVERTISSEMENTS:

- CHAUD DURANT LE FONCTIONNEMENT. MAINTENEZ LES ENFANTS, LES VÊTEMENTS ET LE MOBILIER ÉLOIGNÉS.
- TOUT CONTACT PEUT ENTRAÎNER DES BRÛLURES.
- N'UTILISEZ PAS DE PRODUITS CHIMIQUES NI DE FLUIDES POUR DÉMARRER LE FEU.
- NE LAISSEZ PAS LE POÊLE SANS SURVEILLANCE LORSQUE LA PORTE EST LÉGÈREMENT OUVERTE.
- NE BRÛLEZ PAS DE DÉCHETS NI DE FLUIDES INFLAMMABLES TELS QUE L'ESSENCE, LE NAPHTHA OU L'HUILE POUR MOTEUR.
- NE CONNECTEZ PAS LE POÊLE À UN CONDUIT OU CIRCUIT DE DISTRIBUTION D'AIR.
- FERMEZ TOUJOURS LA PORTE APRÈS L'ALLUMAGE.

# Manuel d'utilisation destiné au propriétaire



**MODELES : 3000 (L)/(LN)**

CERTIFIED FOR USA and CANADA  
SAFETY TESTED TO UL 1482-2010 and ULC-S627-2000  
WASHINGTON STATE APPROVED

US Environmental Protection Agency  
Certifié conforme aux normes d'émissions de 2015 à particules.

**ATTENTION!**  
Lisez attentivement toutes les instructions avant de commencer l'installation ou de faire fonctionner ce poêle.  
Une installation incorrecte peut annuler votre garantie !

**AVIS DE SÉCURITÉ:**  
L'installation incorrecte de ce poêle pourrait entraîner l'incendie du domicile. Pour votre sécurité, respectez les instructions d'installation. N'employez jamais les compromis expédiés pendant l'installation de ce réchauffeur. Contactez les fonctionnaires locaux de construction ou de lutte contre les incendies afin de connaître les limitations et les exigences d'installation de votre région.

CONSERVEZ CES INSTRUCTIONS  
CE MANUEL VOUS AIDERA À OBTENIR UN FONCTIONNEMENT DU POÊLE EFFICACE ET FIABLE ET VOUS PERMETTRA DE COMMANDER CORRECTEMENT TOUTE PIÈCE DÉTACHÉE. GARDEZ-LE DANS UN LIEU SÛR POUR TOUTE CONSULTATION ULTÉRIEURE.

**United States Stove Company**  
227 Industrial Park Road  
P.O. Box 151  
South Pittsburg, TN 37380

