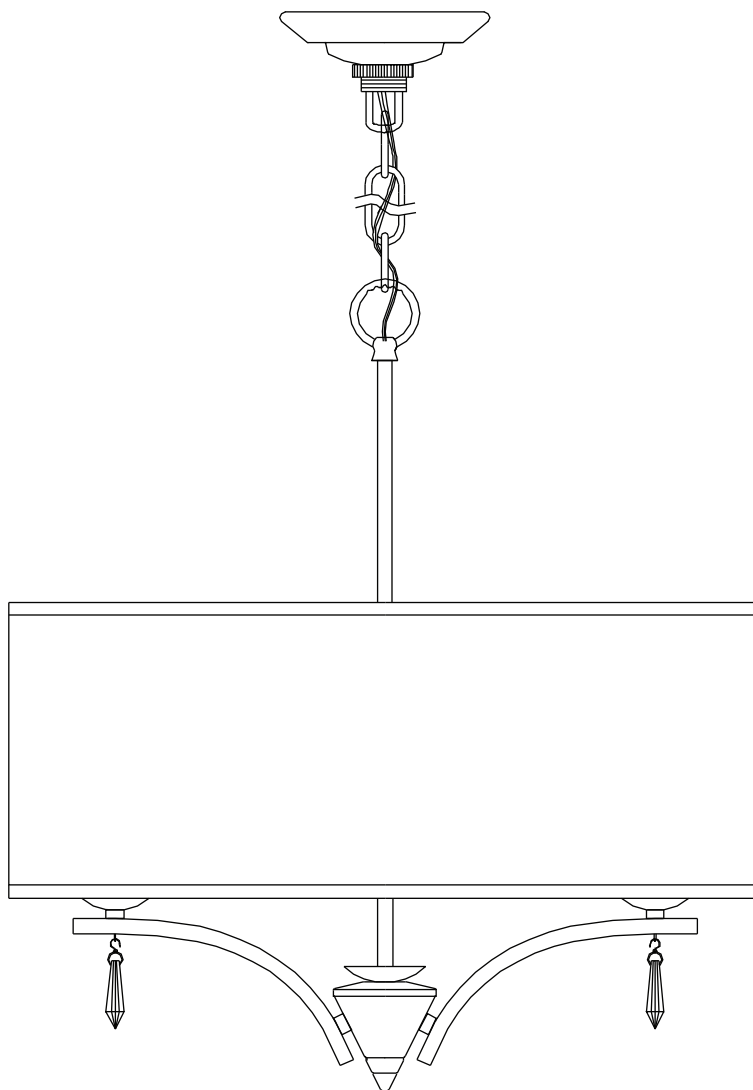


CHANDELIER

MODEL #18252-000

Français p. 8

Español p. 15



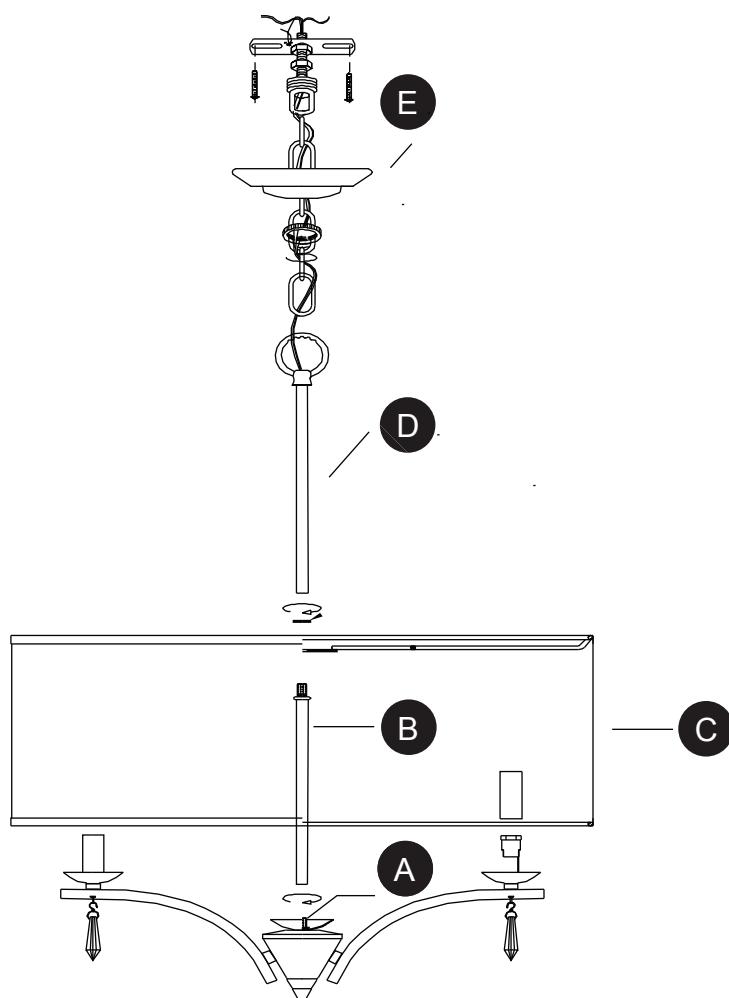
ATTACH YOUR RECEIPT HERE

Serial Number _____ Purchase Date _____



Questions, problems, missing parts? Before returning to your retailer, call our customer service department at 1-877-888-8225, 8 a.m. - 6 p.m., EST, Monday - Thursday, 8 a.m. - 5 p.m., EST, Friday.

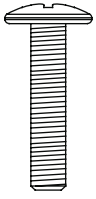
PACKAGE CONTENTS



Part	Description	Quantity
A	Center Body	1
B	Shade Stem	1
C	Shade	1
D	Center Tube	1
E	Canopy	1

HARDWARE CONTENTS (Shown Actual Size)

AA



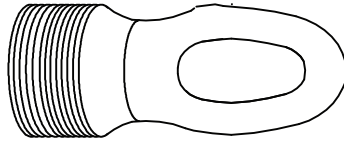
Junction Box
Screws
Qty. 2

BB



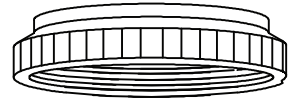
Wire
Connector
Qty. 3

CC



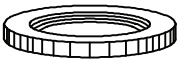
Screw Collar
(not shown to size)
Qty. 1

DD



Canopy Ring
(not shown to size)
Qty. 1

EE



Metal Washer
Qty. 1

FF



Hex Nut
Qty. 1

GG



Crystal Beads
(not shown to size)
Qty. 5

HH



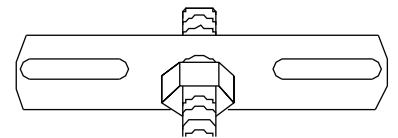
Chain
(not shown to size)
Qty. 1

II



Candle Sleeve
(not shown to size)
Qty. 5

JJ



Mounting Bracket
(not shown to size)
Qty. 1

SAFETY INFORMATION

Please read and understand this entire manual before attempting to assemble, operate or install the product.

WARNING

- If you feel you have insufficient electrical experience, have the fixture installed by a qualified licensed electrician.
- Before starting the installation, disconnect the power by turning off the circuit breaker or by removing the fuse at the fuse box. Turning the power off at the light switch is **not** sufficient to prevent electrical shock.
- This unit is suitable for indoor use only.
- To avoid risk of electric shock or fire, do not modify this lamp; if any modification is made, it may render the product unsafe.
- Do not attempt to change the light bulbs while the unit is turned on.

CAUTION

- To ensure the success of the installation, be sure to read these instructions and review the diagrams thoroughly before beginning.
- All electrical connections must be in accordance with local codes, ordinance or the National Electrical Code.
- These fixtures are intended to be mounted to an outlet junction box. The box must be directly supported by the building structure.
- Refer to the relamping label located near the lamp holder for the recommended maximum wattage. **DO NOT EXCEED RECOMMENDED WATTAGE.**

ELECTRICAL CONNECTIONS

Required Supply Circuit: 120V, 60Hz. Cut excess fixture cord, leaving six inches for electrical connections. Split the cord into two separate wire leads, ensuring there is no damage to the cord insulation. Connect the cord with the ribbed surface to the white wire of the supply circuit. Connect the half with the markings and smooth surface to the black wire of the supply circuit. Connect the bare copper grounding wire from the fixture, to the green screw on the mounting bracket and the grounding conductor of the supply circuit. Use U.L./CSA Listed wire connectors suitable for the size, type and number of conductors. No loose strands or loose connections should be present. Secure wire connectors with U.L./CSA Listed electrical tape.

PREPARATION

Before beginning assembly of product, make sure all parts are present. Compare parts with package contents list and diagram above. If any part is missing or damaged, do not attempt to assemble the product. Contact customer service.

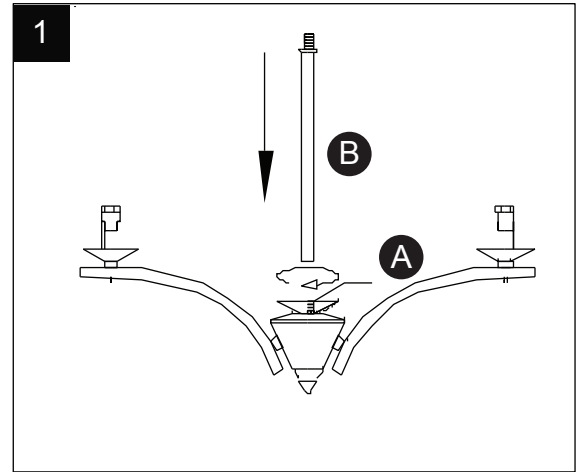
Estimated Assembly Time: 30~60 minutes

Tools Required for Assembly (not included): Ladder, Phillips Screwdriver, Flathead Screwdriver, Wire Cutter, Pliers, Electrical Tape

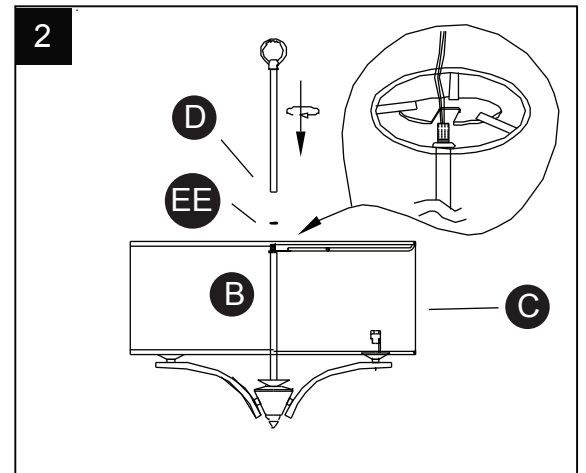
Helpful Tools (not included): Wire Stripper

ASSEMBLY INSTRUCTIONS

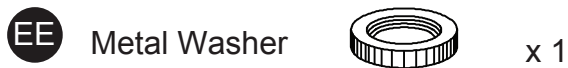
1. Screw shade stem (B) into center body (A). Pull any excess cord through the shade stem (B).



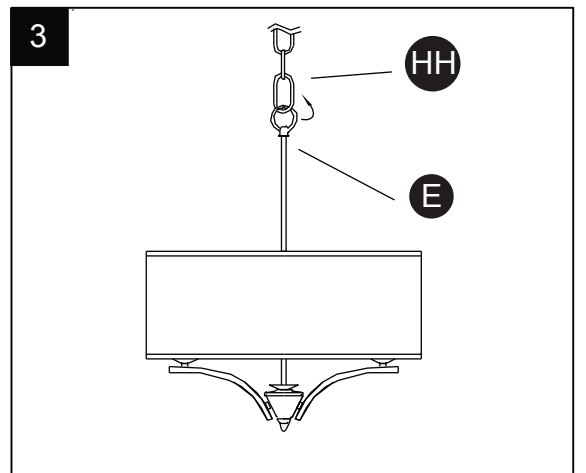
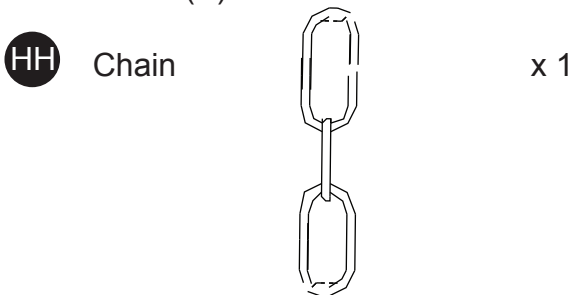
2. Install the shade (C) onto the top of the shade stem (B), aligning the slot in the shade washer over the shade stem (B). Place metal washer (EE) onto threads of stem (B). Attach the center tube (D) by turning it clockwise onto shade stem (B).



Hardware Used

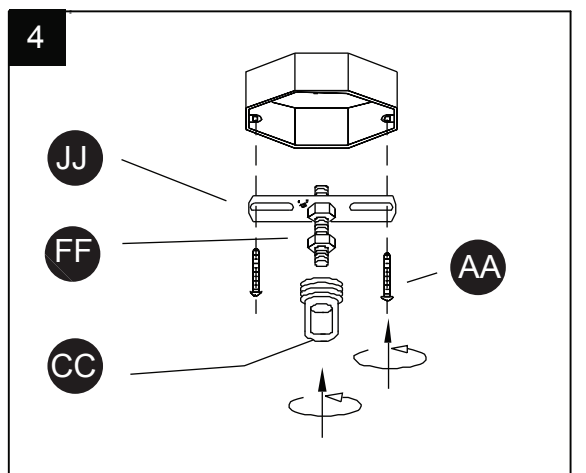
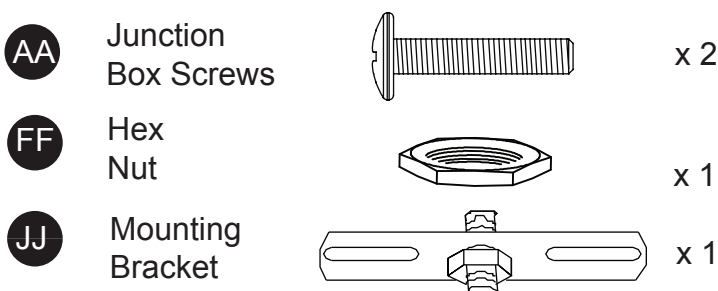


3. Use pliers (not included) to twist open the first closed link of chain (HH). Attach chain (HH) to the large loop on center tube (E).



4. Install the mounting bracket (JJ) to the junction box (not included) using junction box screws (AA). Thread screw collar (CC) onto the preassembled tube on the mounting bracket (JJ). Secure using hex nut (FF).

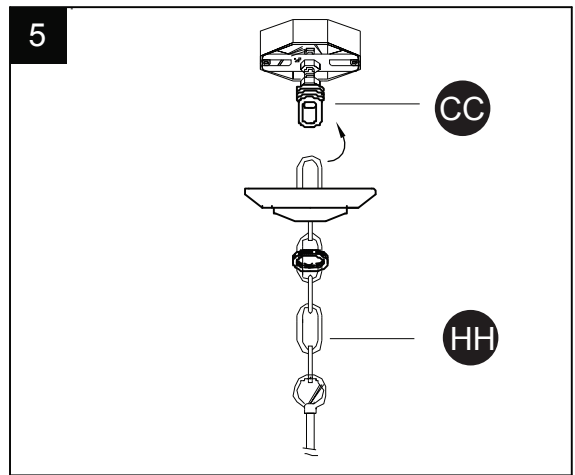
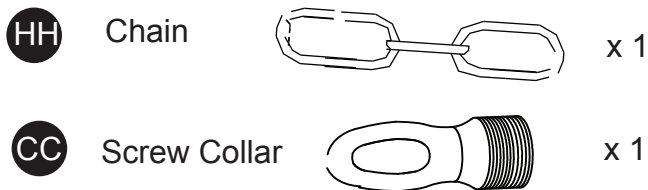
Hardware Used



ASSEMBLY INSTRUCTIONS

5. Use pliers to twist open the first closed link of chain (HH). Remove excess links to obtain desired length. Attach chain (HH) to screw collar (CC).

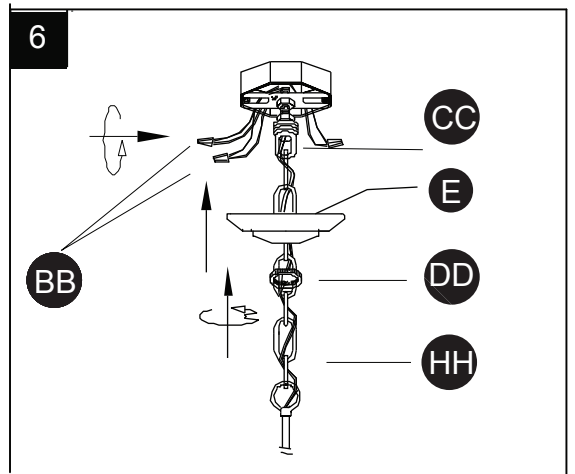
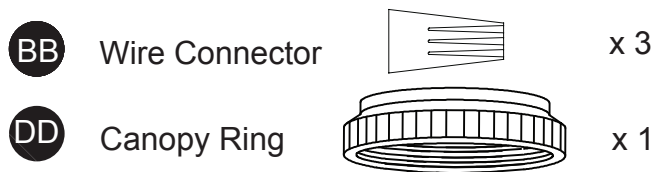
Hardware Used



6. Pull the excess fixture wires through the chain (HH), the canopy ring (DD), the canopy (E) and the screw collar (CC) into the outlet box. Make electrical connections using wire connectors (BB).

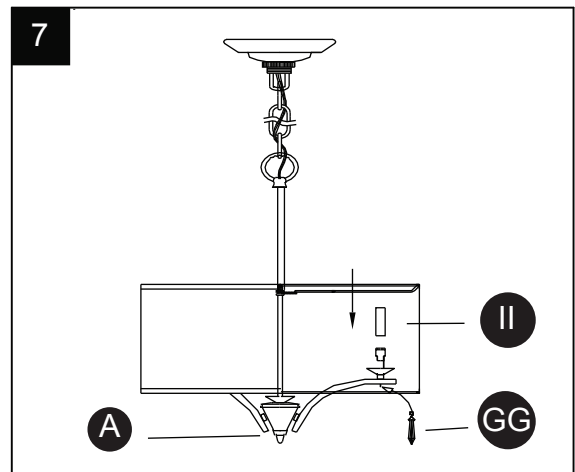
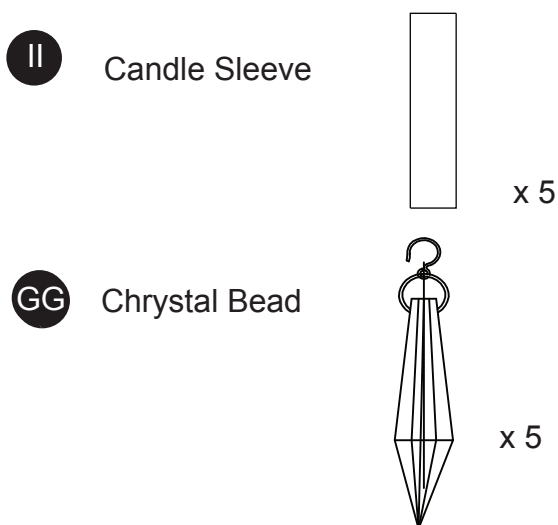
Refer to ELECTRICAL CONNECTIONS on page 3 for wiring directions. Secure canopy (E) to ceiling using canopy ring (DD). Align canopy (E) into place.

Hardware Used



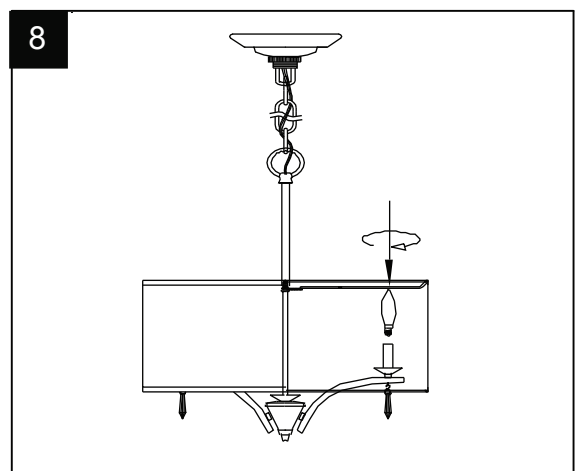
7. Insert candle sleeves (II) into each socket on center body (A). Attach ends of crystal beads (GG) to all five pendant arm loops of center body (A).

Hardware Used



8. Install light bulbs (not included) in accordance with the fixture specifications. Use five 60-watt max. type B base bulbs.

DO NOT EXCEED THE MAXIMUM WATTAGE.



CARE AND MAINTENANCE

- Clean this unit periodically. Clean using a damp cloth and a mild soap. Dry with a clean, soft cloth. Never use a rough cloth or chemical cleaners containing acids, abrasives or solvents.

TROUBLESHOOTING

PROBLEM	POSSIBLE CAUSE	CORRECTIVE ACTION
Light will not turn on.	Bulb is burned out.	Replace bulb.
	Bad main supply wiring.	Consult a certified professional electrician.
	Defective switch.	Consult a certified professional electrician.
Fuse blows or circuit trips when fixture is turned on.	Wrong wiring or power wire is grounding out.	Consult a certified professional electrician.

LIMITED WARRANTY

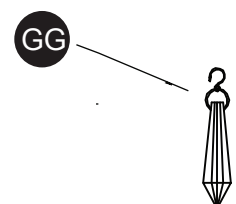
Manufacturer warrants all of its lighting fixtures against defects in materials and workmanship for one (1) year from the date of original purchase.

This warranty does not cover parts becoming defective due to misuse, accidental damage, improper handling and/or installation and specifically excludes liability for indirect, incidental or consequential damages. Product found to be defective may or may not be replaced with same or like type product, contingent on the nature of the defect, and or replacement availability and or compensated for at a pro rated value. Some states do not allow limitations on how long an implied warranty lasts, and/or the exclusion or limitation of incidental or consequential damages, so the above limitations or exclusions may not apply to you. This warranty gives you specific rights and you may also have other rights, which vary from state to state. Proof of purchase is required to exercise the warranty.

REPLACEMENT PARTS LIST

For replacement parts, call our customer service department at 1-877-888-8225, 8 a.m. - 6 p.m., EST, Monday - Thursday, 8 a.m. - 5 p.m., EST, Friday.

PART	DESCRIPTION	PART #
GG	Crystal Beads	CRY18252-000



Printed in China