



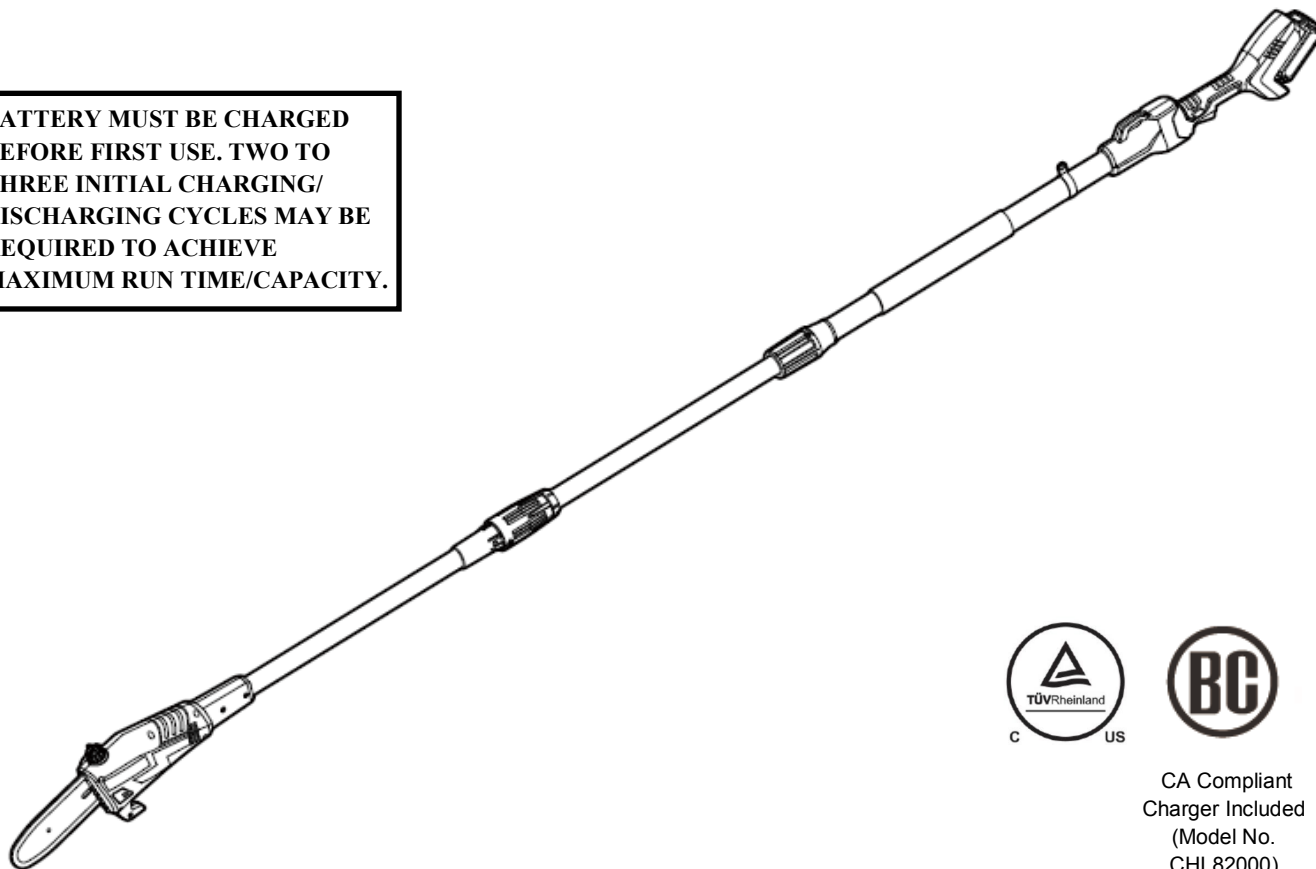
OWNER'S MANUAL

CORDLESS 20 VOLT POLE SAW/LITHIUM-ION BATTERY PACK

Copyrights. All Rights Reserved.

Model LPS40820S

BATTERY MUST BE CHARGED BEFORE FIRST USE. TWO TO THREE INITIAL CHARGING/DISCHARGING CYCLES MAY BE REQUIRED TO ACHIEVE MAXIMUM RUN TIME/CAPACITY.



CA Compliant
Charger Included
(Model No.
CHL82000)

Your pole saw has been engineered and manufactured to our high standard for dependability, ease of operation, and operator safety. Properly cared for, it will give you years of rugged, trouble-free performance.



WARNING: To reduce the risk of injury, the user must read and understand the owner's manual before using this product.

ADD OIL TO OIL RESERVOIR BEFORE FIRST USE

Thank you for your purchase.

DO NOT RETURN THIS PRODUCT TO THE STORE. OPERATING, ASSEMBLY, PART, SERVICE QUESTIONS? GO TO SCOTTS.AMERICANLAWNMOWER.COM OR CALL 1-800-618-7474 BETWEEN 8:00AM-5:00PM EST FOR ASSISTANCE.

SAVE THIS MANUAL FOR FUTURE REFERENCE



IMPORTANT SAFETY WARNINGS



TO REDUCE RISK OF INJURY:

Before any use, be sure everyone using this tool reads and understands all safety instructions and other information contained in this manual.

- ⚠ CAUTION:** Wear appropriate personal hearing protection during use. Under some conditions and duration of use, noise from this product may contribute to hearing loss.

Save these instructions and review frequently prior to use and in instructing others.

- ⚠ WARNING:** When using electric gardening appliances, basic safety precautions should always be followed to reduce risk of fire, electric shock, and personal injury, including the following:

READ ALL INSTRUCTIONS

GENERAL POWER TOOL SAFETY WARNINGS

- ⚠ WARNING: Read all safety warnings and instructions.** Failure to follow the warnings and instructions may result in electric shock, fire and/or serious injury.

Save all warnings and instructions for future reference.

The term “power tool” in the warnings refers to your mains-operated (corded) power tool or battery-operated (cordless) power tool.

Work area safety

- **Keep work area clean and well lit.** Cluttered or dark areas invite accidents.
- **Do not operate power tools in explosive atmospheres, such as in the presence of flammable liquids, gases or dust.** Power tools create sparks which may ignite the dust or fumes.
- **Keep children and bystanders away while operating a power tool.** Distractions can cause you to lose control.

Electrical safety

- **Power tool plugs must match the outlet. Never modify the plug in any way. Do not use any adapter plugs with earthed (grounded) power tools.** Unmodified plugs and matching outlets will reduce risk of electric shock.
- **Avoid body contact with earthed or grounded surfaces such as pipes, radiators, ranges and refrigerators.** There is an increased risk of electric shock if your body is earthed or grounded.
- **Do not expose power tools to rain or wet conditions.** Water entering a power tool will increase the risk of electric shock.
- **Do not abuse the cord. Never use the cord for carrying, pulling or unplugging the power tool. Keep cord away from heat, oil, sharp edges or moving parts.** Damaged or entangled cords increase the risk of electric shock.
- **When operating a power tool outdoors, use an extension cord suitable for outdoor use.** Use of a cord suitable for outdoor use reduces the risk of electric shock.
- **If operating a power tool in a damp location is unavoidable, use a ground fault circuit interrupter (GFCI) protected supply.** Use of a GFCI reduces the risk of electric shock.

Personal safety

- **Stay alert, watch what you are doing and use common sense when operating a power tool. Do not use a power tool while you are tired or under the influence of drugs, alcohol or medication.** A moment of inattention while operating power tools may result in serious personal injury.
- **Use personal protective equipment. Always wear eye protection.** Protective equipment such as dust mask, non-skid safety shoes, hard hat, or hearing protection used for appropriate conditions will reduce personal injuries.
- **Prevent unintentional starting. Ensure the switch is in the off-position before connecting to power source and/or battery pack, picking up or carrying the tool.** Carrying power tools with your finger on the switch or energising power tools that have the switch on invites accidents.
- **Remove any adjusting key or wrench before turning the power tool on.** A wrench or a key left attached to a rotating part of the power tool may result in personal injury.
- **Do not overreach. Keep proper footing and balance at all times.** This enables better control of the power tool in unexpected situations.
- **Dress properly. Do not wear loose clothing or jewelry. Keep your hair, clothing and gloves away from moving parts.** Loose clothes, jewelry or long hair can be caught in moving parts.
- **If devices are provided for the connection of dust extraction and collection facilities, ensure these are connected and properly used.** Use of dust collection can reduce dust-related hazards.

Power tool use and care

- **Do not force the power tool. Use the correct power tool for your application.** The correct power tool will do the job better and safer at the rate for which it was designed.
- **Do not use the power tool if the switch does not turn it on and off.** Any power tool that cannot be controlled with the switch is dangerous and must be repaired.



GENERAL POWER TOOL SAFETY WARNINGS



- **Disconnect the plug from the power source and/or the battery pack from the power tool before making any adjustments, changing accessories, or storing power tools.** Such preventive safety measures reduce the risk of starting the power tool accidentally.
- **Store idle power tools out of the reach of children and do not allow persons unfamiliar with the power tool or these instructions to operate the power tool.** Power tools are dangerous in the hands of untrained users.
- **Maintain power tools. Check for misalignment or binding of moving parts, breakage of parts and any other condition that may affect the power tool's operation. If damaged, have the power tool repaired before use.** Many accidents are caused by poorly maintained power tools.
- **Keep cutting tools sharp and clean.** Properly maintained cutting tools with sharp cutting edges are less likely to bind and are easier to control.
- **Use the power tool, accessories and tool bits etc. in accordance with these instructions, taking into account the working conditions and the work to be performed.** Use of the power tool for operations different from those intended could result in a hazardous situation.

Battery tool use and care

- **Recharge only with the charger specified by the manufacturer.** A charger that is suitable for one type of

battery pack may create a risk of fire when used with another battery pack.

- **Use power tools only with specifically designated battery packs.** Use of any other battery packs may create a risk of injury and fire.
- **When battery pack is not in use, keep it away from other metal objects, like paper clips, coins, keys, nails, screws or other small metal objects, that can make a connection from one terminal to another.** Shorting the battery terminals together may cause burns or a fire.
- **Under abusive conditions, liquid may be ejected from the battery; avoid contact. If contact accidentally occurs, flush with water. If liquid contacts eyes, seek medical help.** Liquid ejected from the battery may cause irritation or burns

Service

- **Have your power tool serviced by a qualified repair person using only identical replacement parts.** This will ensure that the safety of the power tool is maintained.
- **When servicing a power tool, use only identical replacement parts. Follow instructions in the Maintenance section of this manual.** Use of unauthorized parts or failure to follow Maintenance instructions may create a risk of shock or injury.

GENERAL SAFETY

AVOID DANGEROUS ENVIRONMENTS – Don't use pole saw in rain, damp or wet locations. Do not operate pole saw in gaseous or explosive atmospheres. Motors in these tools normally spark, and the sparks might ignite fumes.

DRESS PROPERLY – Don't wear loose clothing or jewelry. Wear protective hair covering to contain long hair. They can be caught in moving parts. Use of rubber gloves and substantial footwear is recommended when working outdoors.

USE SAFETY GLASSES –Wear safety glasses with side shields or goggles that are marked to comply with ANSI Z87.1 standard when operating this product. Use face or dust mask if environment is dusty.

DANGER: Risk of cut. Keep hands away from chain. Keep both hands on pole and handle when power is on.

USE RIGHT APPLIANCE – Do not use appliance for any job except that for which it is intended.

USE HEAD AND FACE PROTECTION: Wear a safety hard hat with a full face shield that meets the ANSI Standards ANSI Z89.1, or CE Standards while operating the pole saw.

CAUTION: Never stand under the limb being trimmed. Position yourself out of the way of falling debris.

REMOVE BATTERY FROM POLE SAW when not in use or when servicing or cleaning. Do not leave unattended.

AVOID UNINTENTIONAL STARTING— Don't carry the pole saw with finger on switch, Be sure the switch is off when installing battery pack.

CAUTION: Never carry pole saw with one hand, Doing so could cause saw to become unbalanced and damage may occur. Failure to heed this warning can result in serious personal injury.

KEEP CHILDREN AWAY: All visitors, children and pets should stay at a safe distance from the work area.

STORE IDLE POLE SAW INDOORS: When not in use, the pole saw should be stored indoors in a dry and high or locked-up place, out of reach of children.

DO NOT ATTEMPT to remove cut material or hold material to be cut when pole saw is on and the chain is moving. Make sure switch is off when clearing jammed material from the chain, Do not grasp the exposed cutting edges when picking up or holding the saw. Keep all parts of the body away from the saw chain.

CAUTION: Chain coasts after pole saw is turned off.

WARNING: To protect yourself from electrocution maintain a min of 50ft (15m) from overhead electrical lines.

DO NOT FORCE POLE SAW—It will do the job better and with less likelihood of a risk of injury at the rate for which it was designed.



GENERAL SAFETY



STAY ALERT: Watch what you are doing. Use common sense. Do not operate pole saw when you are tired or under the influence of medications, drugs or alcohol.

DANGER: If chain jams on any electrical cord or line. **DO NOT TOUCH THE BAR AND CHAIN! THEY CAN BECOME ELECTRICALLY LIVE AND VERY DANGEROUS.** Release the unit in the safest manner possible. Disconnect the damaged electrical cord or line from the power source. If possible, do so safely. If in doubt, call an electrician or the electrical contractor for assistance. Failure to heed this danger will result in serious personal injury and possible death.

LIGHTING: Only operate saw in daylight or good artificial light.

DON'T OVERREACH: Keep proper footing and balance at all times.

Make sure power source is removed when clearing jammed material from chain.

CHECK DAMAGED PARTS: Before further use of the pole saw, any part that is damaged should be carefully checked to determine that it will operate properly and perform its intended function. Check for alignment of moving parts, binding of moving parts, breakage of parts, mounting and any other condition that may affect its operation. Any part that is damaged should be properly repaired or replaced. Call our customer service help line at 1-800-618-7474 for assistance.

Always wear ear plugs or mufflers to protect your hearing. Regular users should have hearing checked regularly as chain saw noise can damage hearing.

MAINTAIN SAW WITH CARE: Keep cutters sharp and clean for best performance and to reduce the risk of injury. Keep pole and handle dry, clean from oil and grease.

WARNING: California Proposition 65 - This product contains chemicals known to the State of California to cause cancer, birth defects or other reproductive harm.

WARNING: Some dust and debris created by the use of this tool could contain chemicals known to the State of California to cause cancer and birth defects or other reproductive harm. Some examples of these chemicals are:

- * Chemicals in fertilizers
- * Compounds in insecticides, herbicides and pesticides
- * Arsenic and chromium from chemically treated lumber

Your risk from exposure to these chemicals varies, depending on how often you do this type of work. To reduce your exposure, work in a well-ventilated area and with approved safety equipment, such as dust masks that are specially designed to filter out microscopic particles.

WARNING: Cancer and Reproductive Harm - www.P65Warnings.ca.gov.

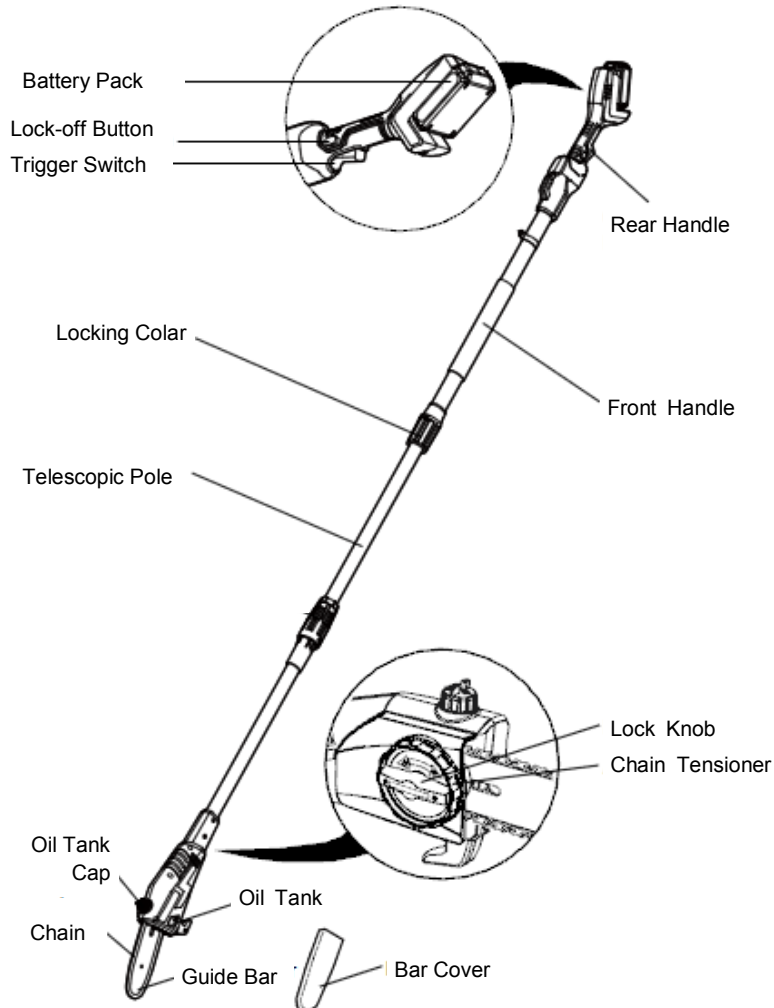
CAUTION: Use only the following type and size battery(ies): BL82120.

FEATURES

PRODUCT SPECIFICATIONS

LPS40820S

Input	20 V/2.0Ah, DC only
Bar Length	8" Bar (M1430833-1041TL)
Weight	8.6 lbs.
Total Extended Length	9 ft. 4 in.
Oil capacity.....	75 ml



ASSEMBLY

UNPACKING

This product requires assembly.

Carefully remove the product and any accessories from the box. Make sure that all items listed in the packing list are included.

Inspect the product carefully to make sure no breakage or damage occurred during shipping.

Do not discard the packing material until you have carefully inspected and satisfactorily operated the product.

PACKING LIST

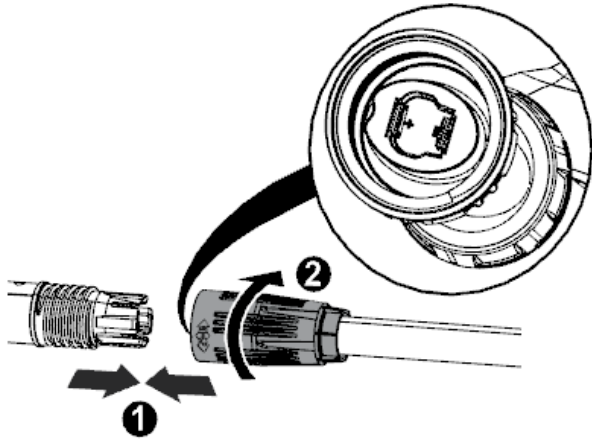
- Pole Saw Head
- Telescopic Pole
- Battery Pack and Charger
- Chain and Bar
- Blade Cover
- Shoulder Strap
- Owner's Manual

ASSEMBLY

Pole Assembly:

Plug the upper section into the lower section.

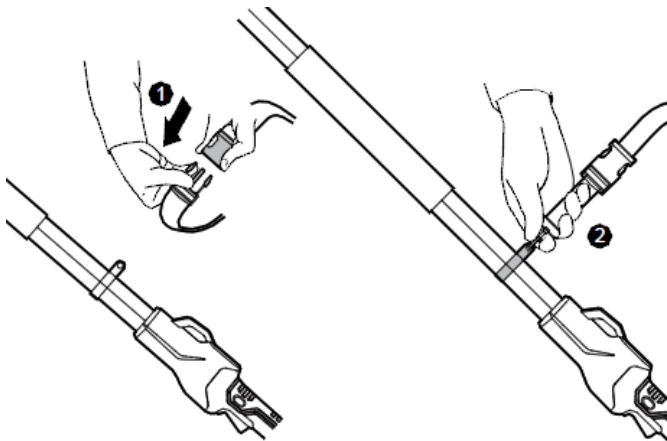
Pull the locking collar down over the connection and turn clockwise to secure the two pieces together.



NOTE: Note the polarity markings of the contacts.

ATTACHING THE SHOULDER STRAP

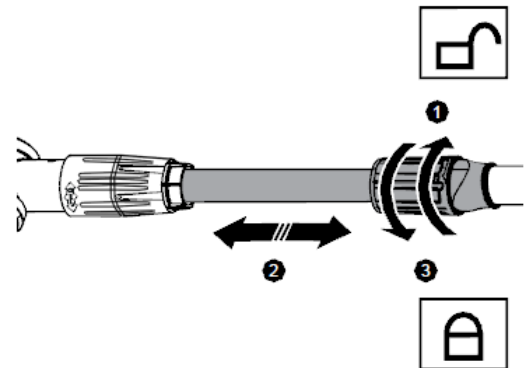
Engage the strap closure ①. Suspend the shoulder strap in the attachment ②.



ADJUSTING LENGTH OF TELESCOPIC POLE

Remove the battery pack from the pole saw.

- Release the locking collar of the telescopic pole.
- Pull the telescopic pole apart until the required working height is obtained.
- Fully retighten the locking collar.



Note: Extend the pole only to the length required to reach the limb to be cut. Do not extend the handle above waist height.

NOTE: Adjust hand placement on the shaft of the pole saw to keep proper balance.

Do not attempt to use pole saw at a length which does not allow you to maintain proper footing and balance at all times.

WARNING: If any parts are damaged or missing do not operate this product until the parts are replaced. Failure to heed this warning could result in serious personal injury. Call 1-800-618-7474 for assistance.

WARNING: Failure to lock telescopic pole clamp as directed could result in personal injury.

INSTALLING/REPLACING THE GUIDE BAR AND CHAIN

DANGER: Never start the motor before installing the guide bar, chain, chain cover and chain cover lock knob. Without all these parts in place, the clutch can fly off or explode, exposing the user to possible serious injury.

WARNING: To avoid serious personal injury, read and understand all the safety instructions provided.

WARNING: Before performing any maintenance, make sure the battery pack has been removed, failure to heed this warning could result in serious personal injury.

CAUTION: Always wear gloves when handling the bar and chain; these components are sharp and may contain burrs.

WARNING: Never touch or adjust the chain while the motor is running. The saw chain is very sharp; always wear protective gloves when performing maintenance to the chain to avoid possible serious lacerations.

NOTE: When replacing the guide bar and chain, use only identical replacement parts.

INSTALLING/REPLACING THE GUIDE BAR AND CHAIN

- Remove the battery pack from the pole saw
- Loosen the lock knob (Fig.1 ①) by turning counter-clockwise.
- Remove the chain cover (Fig.1 ②).
- Position the bar with the longitudinal hole on the threaded bolt (Fig.1 ③).

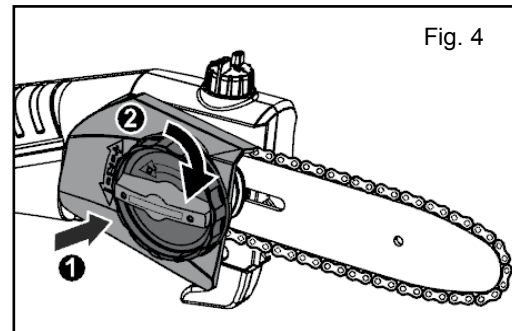
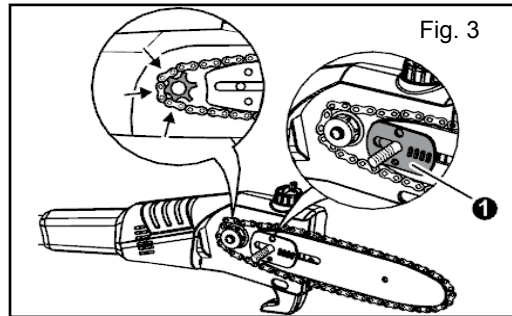
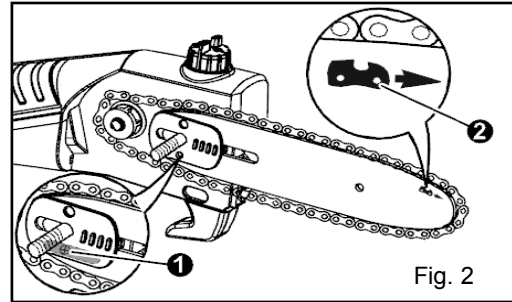
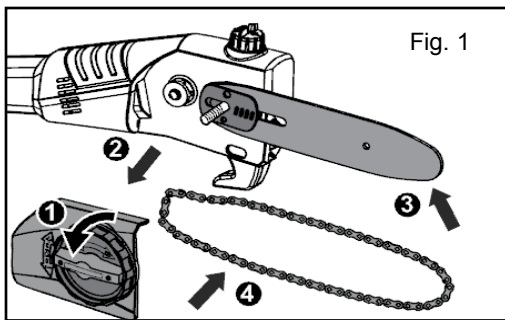
NOTE: Ensure that the chain tensioning plate points forward (Fig. 3 ①).

NOTE: Check for correct seating of the guide screw on the rear side of the bar in the guiding groove (Fig. 2 ①).

- Push the bar as close as possible to the sprocket.
- Place the chain around the bar and the drive sprocket (Fig. 1 ④).

NOTE: Ensure that the chain moves in the correct direction (Fig. 2 ②).

- Check the position of the bar and chain on the tool (Fig. 3).
- Position the cover (Fig. 4 ①) and tighten it with the locking knob (Fig. 4 ②).



TENSION THE CHAIN

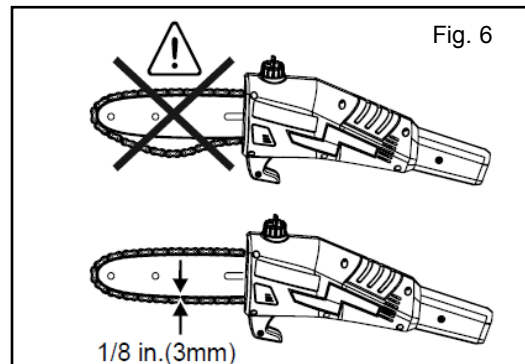
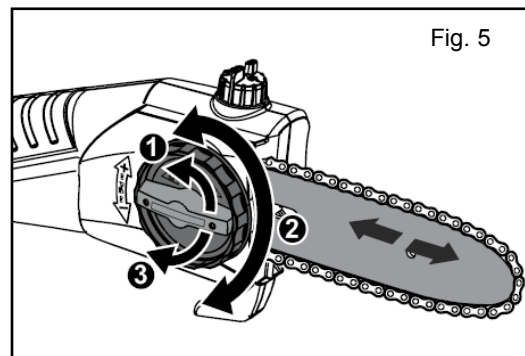
⚠ WARNING: Always remove the battery pack from the product when you are assembling parts, making adjustments, cleaning, or when the product is not in use. Wear safety gloves before any work on the chain.

NOTE: The cutting chain must not sag, however, it should be possible to pull it about 1/8 in. (3mm) away from the bar (Fig. 6).

- Screw the lock knob (Fig. 5 ①) out far enough to allow rotation of the chain tensioner (Fig. 5 ②).
- Turn the chain tensioner clockwise to tension the chain or counterclockwise to slacken it.
- Manually rotate the chain to check for fault-free running.
- Tighten the lock knob again (Fig. 5 ③).

NOTE: During running in of a new chain, it should be re-tensioned after no more than five cuts.

NOTE: Do not over-tension the chain as this will lead to excessive wear and will reduce the life of the bar and chain. Overtensioning also reduces the amount of cuts you will get per battery charge.



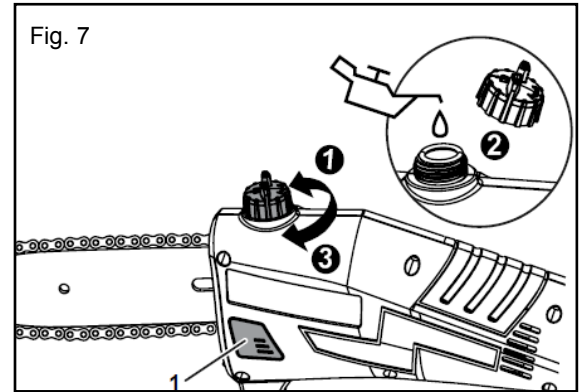
FILLING WITH CUTTING CHAIN OIL

- ⚠ **WARNING:** Always remove the battery pack from the product when you are assembling parts, making adjustments, cleaning, or when the product is not in use.
- ⚠ **WARNING:** Use of old oil can result in damage to the oil pump, bar and chain! Never use old oil to lubricate the chain.
- ⚠ **WARNING:** Do not smoke or bring any fire or flame near the oil or the pole saw. Oil may spill and cause a fire.
- ⚠ **CAUTION:** Chain oil is released into the environment during operation, therefore, special biodegradable vegetable oil should be used as a chain oil.
- ⚠ **CAUTION:** Only operate the tool with sufficient chain oil. Check the oil volume via the oil level indicator.
- ⚠ **CAUTION:** Take care not to spill any oil and immediately wipe up any spilled oil to avoid risk of slipping.

- Slowly unscrew the tank cap, remove it and save it (Fig 7 ①).
- Fill carefully with chain lubricating oil to about 0.4" (10mm) below the bottom edge of the filler (Fig 7 ②).

- Replace the tank cap and screw it tight (Fig 7 ③).

- ⚠ **NOTE:** Check and refill the oil tank each 15-minute running time. The oil level can be seen in the oil level indicator. Ensure that no dirt gets into the oil tank.



OPERATING

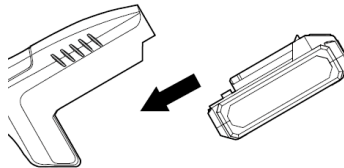
TO INSTALL/REMOVE BATTERY PACK

FULLY CHARGE BEFORE FIRST USE.

- ⚠ **WARNING:** Always remove the battery pack from the product when you are assembling parts, making adjustments, cleaning, or when not in use. Removing the battery pack will prevent accidental starting that could cause serious personal injury.

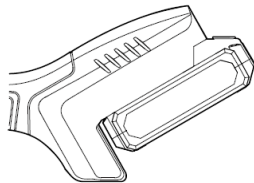
TO INSTALL (Fig. 8)

Align the ribs of the battery pack with the mounting slots in the pole saw's battery port. Insert the battery pack until it snaps into position.



TO REMOVE (Fig. 9)

Press the battery-release button; the battery pack will disengage from the latch. Remove the battery pack from the pole saw.



Before you start the unit, make sure the pole saw is not contacting any object.

TO TURN THE TOOL ON

Push the lock button in with your thumb and then squeeze the trigger switch with your fingers. (Once the tool is running, you can release the lock button). To turn the tool OFF, release the trigger switch.

- ⚠ **WARNING:** To guard against injury, observe the following:
 - Read instruction manual before using, save instruction manual.
 - Keep hands away from chain.
 - Keep hands on handles. Don't overreach.

A good, firm grip on the pole saw with both hands will help you maintain control. Grip the rear handle with your right hand whether you are right or left handed. Wrap the fingers of your left hand over and around the pole shaft. A firm grip together with positioning handle against your body will help you maintain control of the saw. Don't let go.

Do not operate pole saw in a tree, on a ladder, or on a scaffold; this is extremely dangerous.

Use extreme caution when cutting small size brush, saplings or limbs under tension, because slender and tense material may catch the saw and be whipped toward you, pull you off balance or spring back.

Do not operate pole saw cut vines and/or small underbrush.

- ⚠ **WARNING:** Do not allow familiarity with this type of tool to make you careless. Remember that a careless fraction of a second is sufficient to inflict serious injury.

- ⚠ **WARNING:** Do not cut trees near electrical wires or buildings.

Proper Cutting Stance

Weight should be balanced with both feet on solid ground.

Keep left arm with elbow locked in a "straight arm" position to withstand any kickback force. Your right hand should be gripping the handle and positioned firmly against your body for added support.

Your body should always be to the left of the chain line.

- ⚠ **CAUTION:** Failure to lubricate the chain will cause damage to the bar and chain. Use only a good quality bar and chain oil or, if not available, unused SAE 30 weight motor oil may be substituted. One minute of use will consume approx. 0.15 fl. oz. (5ml) of oil.

NOTE: It is normal for oil to seep from the pole saw when not in use. To prevent seepage, empty the oil tank after each use. When storing the unit for a long period of time (3 months or longer) be sure the chain is lightly lubricated; this will prevent rust on the chain and bar sprocket.

- ⚠ **WARNING:** Do Not use the pole saw with any type of accessory or attachment. Such usage might be hazardous.

- ⚠ **WARNING:** Hold the extended-reach pruner by insulated gripping surfaces only, because the saw chain may contact hidden wiring or its own cord. A saw chain contacting a "live" wire may make exposed metal parts of the extended-reach pruner "live" and could give the operator an electric shock.

To reduce the risk of electrocution, never use near any electrical power lines. Contact with or use near power lines may cause serious injury or electric shock resulting in death.

OPERATING

⚠ WARNING: Kickback may occur when the moving chain contacts an object at the upper portion of the tip of the guide bar or when the wood closes in and pinches the chain saw in the cut. Contact at the upper portion of the tip of the guide bar can cause the chain to dig into the object and stop the chain for an instant. The result is a lightning fast, reverse reaction which kicks the guide bar up and back toward the operator. If the chain saw is pinched along the top of the guide bar, the guide bar can be driven rapidly back toward the operator. Either of these reactions can cause loss of saw control which can result in serious injury. Do not rely exclusively upon the safety devices built into the saw. As a chain saw user, you should take several steps to keep your cutting jobs free from accident or injury.

The following precautions should be followed to minimize

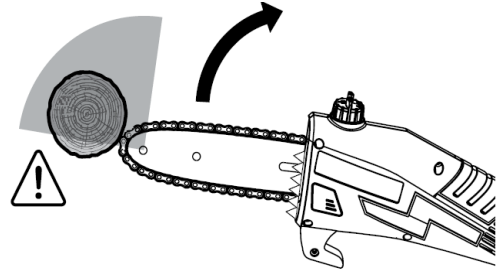
kickback:

1. Always grip the pole and handle firmly with both hands. Hold the saw firmly with both hands when the unit is running. Place your right hand on the rear handle and your left hand on the pole shaft with your thumbs and fingers encircling the pole saw handle and shaft. A firm grip together with a stiff left arm will help you maintain control of the saw if kickback occurs.
2. Make sure that the area in which you are cutting is free from obstructions. Do not let the nose of the guide bar contact a log, branch, fence or any other obstruction that could be hit while you are operating the saw.

3. Always cut with the unit running at full speed. Fully squeeze the throttle trigger and maintain a steady cutting speed.
4. Wear non-slip gloves for maximum grip protection.
Cut lower branches first to allow the top branches more room to fall.
Work slowly, keeping both hands on the saw with a firm grip.
Maintain secure footing and balance.

⚠ WARNING: To protect yourself from electrocution, maintain a min of 50ft (15m) from over head electrical lines.

Keep bystanders at least 50ft. away.



OPERATING AND INSTRUCTIONS

BASIC CUTTING PROCEDURE

See figure 8-9

Keep the tree between you and the chain while limbing.

Cut from side of tree opposite branch you are cutting.

Do not cut from a ladder; this is extremely dangerous. Leave this operation for professionals.

Do not use the pole saw for felling or bucking,

To prevent electrocution, do not operate within 50 ft. of overhead electrical lines,.

Follow the steps below to prevent damage to tree or shrub bark. Do not use a back-and-forth sawing motion,

Do not make the flush cut next to the main limb or trunk until you have cut of the limb further out to reduce the weight.

Following proper cutting procedures will prevent stripping bark from the main member.

Make a shallow first cut (1/4 of limb diameter) on the underside of the limb close to the main limb or trunk,

Make a second cut from the top side of the limb outboard from the first cut. Continue the cut through the limb until the limb separates from the tree. Be prepared to balance the weight of the tool when the limb falls.

Make a final cut close to the trunk.

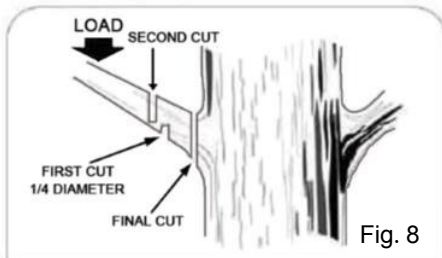


Fig. 8

For second and final cuts, (from top of limb or branch), hold front cutting guide against the limb being cut. This will help steady the limb and make it easier to cut. Allow the chain to cut for you; exert only light downward pressure. If you force the cut, damage to the bar, chain, or motor can result.

Release the trigger as soon as the cut is completed. Failure to follow proper cutting procedures will result in the bar and chain binding and becoming pinched or trapped in the limb.

If this should happen:

Stop the motor and remove the battery pack.

If the limb can be reached from the ground, lift the limb while holding the saw. This should release the "PINCH" and free the saw.

If the saw is still trapped, call a professional for assistance.

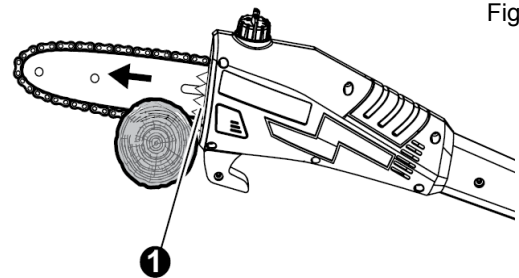


Fig. 9

LIMBING AND PRUNING

See figure 10

This unit is designed for trimming small branches and limbs up to 6 inches (15cm) in diameter.

For best results, observe the following precautions. Plan the cut carefully. Be aware of the direction in which the branch will fall. Branches may fall in unexpected directions. Do not stand directly under the branch being cut.

The most typical cutting application is to position the unit at an angle of 60° or less, depending on the specific situation, as shown. As the angle of the pole saw shaft to ground increases, the difficulty of making the first cut (from the underside of the limb) increases.

Remove long branched in several stages.

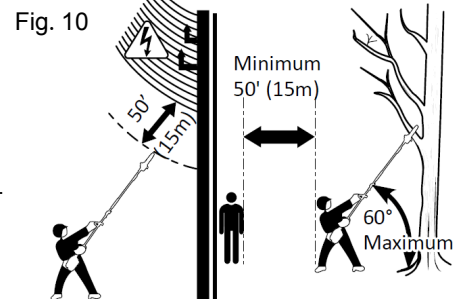


Fig. 10

CHAIN MAINTENANCE

CHAIN MAINTENANCE

CAUTION: Remove the battery pack and make sure the chain is stopped before you do any work on the saw.

For smooth and fast cutting, chain needs to be maintained properly. The chain requires sharpening when the wood chips are small and powdery, the chain must be forced through the wood during cutting, or the chain cuts to one side. During maintenance of your chain remember:

- Improper filing angle of the side plate can increase the risk of severe kickback.
- Raker (depth gauge) clearance.
 - Too low increases the potential for kickback.
 - Not low enough decreases cutting ability.
- If cutter teeth have hit hard objects such as nails and stones, or have been abraded by mud or sand on the wood, have service dealer sharpen chain.

NOTE: Inspect the drive sprocket for wear or damage when replacing the chain. If signs of wear or damage are present in the areas indicated, have the drive sprocket replaced by a qualified individual.

HOW TO SHARPEN THE CUTTERS

Be careful to file all cutters to the specified angles and to the same length, as fast cutting can be obtained only when all cutters are uniform.

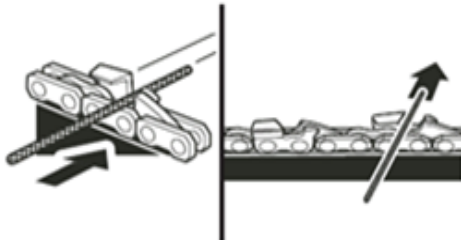
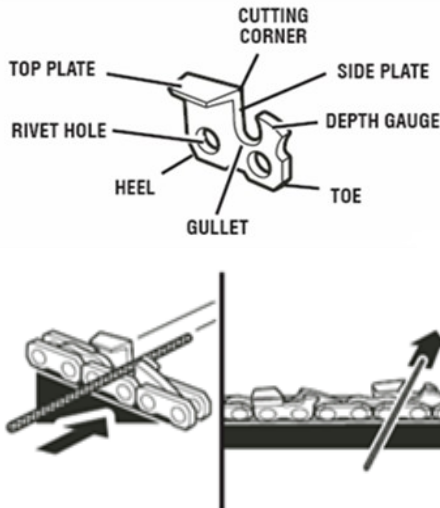
Wear gloves for protection. Properly tension the chain prior to sharpening. Refer to "Chain Tension Section" earlier in this manual. Do all of your filing at the midpoint of the bar.

Use a 5/32 in. diameter round file and holder.

Keep the file level with the top plate of the tooth. Do not let the file dip or rock. Using light but firm pressure, stroke towards the front corner of the tooth.

Lift file away from the steel on each return stroke.

Put a few firm strokes on every tooth. File all left hand cutters in one direction. Then move to the other side and file the right hand cutters in the opposite direction. Occasionally remove filing from the file with a wire brush.

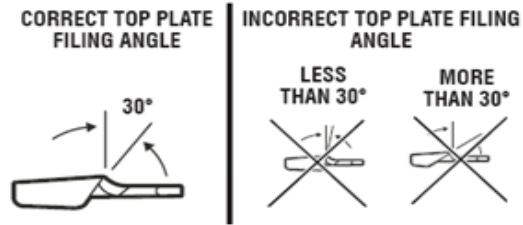


TOP PLATE FILING ANGLE

Correct 30 degrees – File holders are marked with guide marks to align file properly to produce top plate angle.

Less than 30 degrees – for cross cutting.

More than 30 degrees – feathered edge dulls quickly.

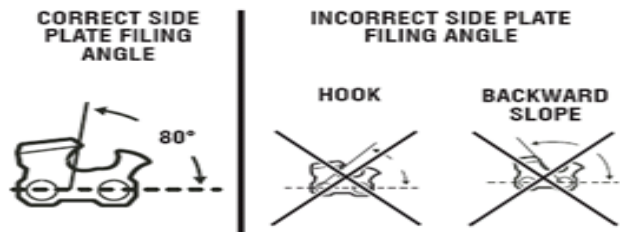


SIDE PLATE ANGLE

Correct – 80 degrees produced automatically if correct diameter file is used in file holder.

Hook – "Grabs" and dulls quickly. Increases potential of kickback. Results from using a file with a diameter too small, or file held too low.

Backward Slope – Needs too much feed pressure, causes excessive wear to bar and chain. Results from using a file with a diameter too large, or file held too high.



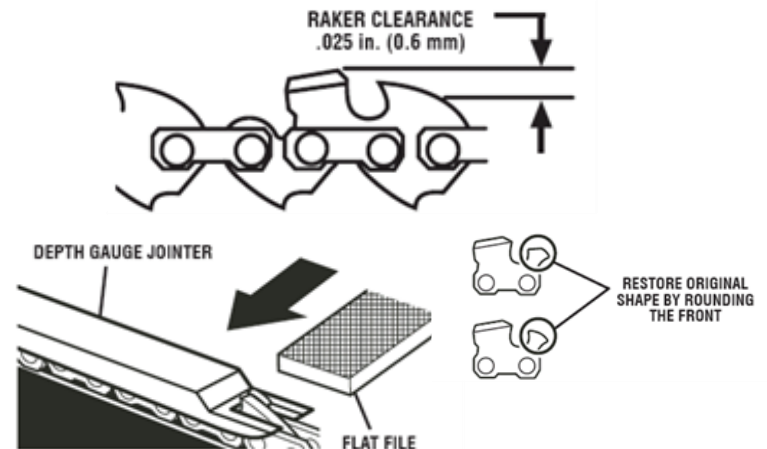
DEPTH GAUGE CLEARANCE

The depth gauge should be maintained at a clearance of .025 in. (0.6 mm). Use a depth gauge tool for checking the depth gauge clearances.

Every time the chain is filed, check the depth gauge clearance

Use a flat file and a depth gauge jointer to lower all gauges uniformly. Depth gauge jointers are available in .020 in. to .035 in. (0.5 mm to 0.9 mm). Use a .025 in. (0.6 mm) depth gauge jointer. After lowering each depth gauge, restore original shape by rounding the front. Be careful not to damage adjoining drive links with the edge of the file.

Depth gauges must be adjusted with the flat file in the same direction the adjoining cutter was filed with the round file. Use care not to contact cutter face with flat file when adjusting depth gauges.



- WARNING:** Improper chain sharpening increases the potential of kickback.
- WARNING:** Failure to replace or repair damaged chain can cause serious injury.
- WARNING:** The saw chain is very sharp, always wear protective gloves when performing maintenance to the chain.

CHARGING THE BATTERY PACK

Charge the battery pack only with the charger provided.

Allow at least 60 minutes of charge time before initial use of the pole saw.

Make sure the power supply is normal household voltage, 120volts, 60Hz, AC only.

The battery charger should be operated in temperatures between 39 and 104 degrees F.

The battery should be charged in a cool, dry place.

Two to Three initial charging/discharging cycles may be required to achieve maximum run time/capacity.

Do not attempt to open the charger or the unit. There are no customer serviceable parts inside. Call the customer service help line at 1-800-618-7474 for assistance.

DO NOT incinerate battery packs even if they are severely damaged or completely worn out. They can explode in a fire causing injury.

Use the battery charger indoors only.

Disconnect charger from the power supply when not in use to prevent damage to the charger during a power surge.

When fully charged, the battery can be safely stored in temperatures down to -4° degrees F for a period of up to four weeks, before requiring charging. Fully charge battery pack every 90 days.

If over a period of time the battery pack quickly runs down after a full 60 minutes charging period, a replacement battery pack is needed.

To prevent permanent damage to the battery, never store in a discharged condition.

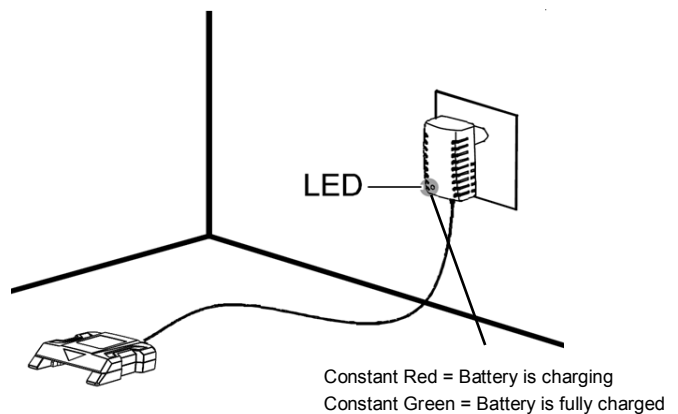
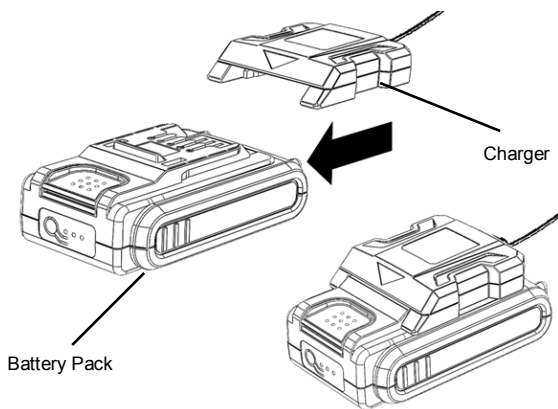
WINTER STORAGE—Fully recharge before storage and then again every 90 days.

Since the battery will not develop a memory, it does not have to be fully discharged before recharging.

A small leakage of liquid from the battery cells may occur under extreme usage, charging or temperature conditions. This does not indicate a failure. However, if the outer seal is broken and this leakage gets on your skin.

- Wash quickly with soap and water.
- Neutralize with a mild acid such as lemon juice or vinegar.
- If the battery liquid gets in your eyes, flush them with clean water for a minimum of 10 minutes and seek immediate medical attention.

TO CHARGE—SEE CHARGER MANUAL FOR COMPLETE INSTRUCTIONS



BATTERY DISPOSAL

Remove the battery pack from the pole saw. Cover the terminals with heavy duty adhesive tape. Do not attempt to destroy or disassemble battery pack or remove any components. This product contains lithium-ion batteries which must be recycled or disposed of properly. Local, state or federal laws may prohibit disposal of these batteries in ordinary trash.



The RBRC seal on the li-ion battery pack indicates that the costs to recycle the battery pack at the end of its useful life has already been paid by The Great States Corporation American Lawn Mower Company. It is illegal to place spent li-ion batteries in the local municipal solid waste or in the trash. RBRC in cooperation with The Great States Corporation American Lawn Mower Company has provided an environmentally friendly and easy way to recycle spent li-ion batteries. Just contact your local recycling center or call 1-800-8BATTERY for information on where to drop off the spent battery.

MAINTENANCE

⚠ BEFORE USING: Fill oil well with new quality bar and chain oil. Unused SAE30 weight motor oil may be substituted.

If you drop the pole saw, carefully inspect it for damage. If the blade is bent, housing cracked, or handles broken or if you see any other condition that may affect the saw's operation, call our customer service help line at 1-800-618-7474 for assistance.

Remove the battery pack from the pole saw, then use only mild soap and a damp cloth to clean the tool. Never let any liquid get inside the tool; never immerse any part of the tool into a liquid.

⚠ IMPORTANT: To assure product SAFETY and RELIABILITY, repairs, maintenance and adjustment should be performed by a qualified individual always using identical replacement parts.

⚠ CAUTION: Do not at any time let brake fluids, gasoline, petroleum based products, penetrating oils, etc., come in contact with plastic parts. They contain chemicals that can damage, weaken or destroy plastic.

Ensure that the plastic bar cover is in place when storing.

Fertilizers and other garden chemicals contain agents which greatly accelerate the corrosion of metals. Do not store the tool on or adjacent to fertilizers or chemicals.

For smooth and fast cutting, chain needs to be maintained properly. The chain requires sharpening when the wood chips are small and powdery, the chain must be forced through the wood during cutting, or the chain cuts to one side. Refer to instructions earlier in this manual for instructions on properly sharpening the chain.

LUBRICATION SYSTEM

The chain is automatically lubricated.

Use only new bar and chain oil or unused SAE 30 weight motor oil may be substituted. Never use wasted oil, low quality oil, or insufficient oil. This could damage the pump; the bar and the chain which may result in serious personal injury.

Check oil level before each work session, refill if less than ¼ full.

If the lubrication system does not work properly, check if all oil-ways are clean and free from obstructions. If it is still not working, call our customer service help line at 1-800-618-7474 for assistance.

GUIDE BAR MAINTENANCE

When the guide bar shows signs of wear, reverse it on the saw to distribute the wear for maximum bar life. The bar should be cleaned every day of use and checked for wear and damage.

Feathering or burring of the bar rails is a normal process of bar wear. Such faults should be smoothed with a file as soon as they occur.

A bar with any of the following faults should be replaced.

- Wear inside the bar rails which permits the chain to lay over sideways.
- Bent guide bar
- Cracked or broken rails
- Spread rails

In addition, guide bars with a sprocket at their tip must be lubricated frequently with a grease syringe to extend the guide bar life. Using a grease syringe, lubricate weekly in the lubricating hole.

Turn the guide bar and check that the lubrication holes and chain groove are free from obstructions.

TROUBLESHOOTING

Problem	Possible Cause	Possible Solutions
-Unit does not run.	<ul style="list-style-type: none"> -Battery not making contact. -Lock off not fully operated. -Battery not installed properly -Battery not charged. 	<ul style="list-style-type: none"> -Check the battery is fully inserted -Check that lock off is fully forward prior to moving trigger -Check battery installation -Check battery charging requirements
- Bar and chain running hot and smoking	<ul style="list-style-type: none"> - Check tension for over-tight condition - Chain oil tank empty - Chain installed in wrong direction 	<ul style="list-style-type: none"> - Adjust chain tension - Fill tank with chain oil - Reverse chain so that cutters face the right direction
- Motor runs but chain is not rotating	<ul style="list-style-type: none"> - Chain tension too tight - Check guide bar and chain for damage 	<ul style="list-style-type: none"> - Adjust chain tension - Replace damaged bar and chain with identical replacement parts.

CALL US FIRST !!

Call us first with questions about operating or maintaining your pole saw at 1.800.618.7474 between 8:00 a.m. – 5:00 p.m. Eastern Standard Time, or get assistance on SCOTTS.AMERICANLAWNMOWER.COM.

PARTS AND SERVICE

For parts or service, please call 1-800-618-7474 or visit us online at SCOTT.S.AMERICANLAWNMOWER.COM. Be sure to provide all relevant information when you call or visit.

REPAIR PARTS (KITS/ ITEMS)

The model/serial number of this tool is found on a plate or label attached to the housing. Please record the serial number in the space provided below.

MODEL NUMBER **LPS40820S**

SERIAL NUMBER _____

Always mention the model number when ordering kits/items for this tool.

No.	Kit/Item Number	Description	QTY
1	LCS20-SCA-1	Sprocket cover assembly kit	1
2	LCS20-BCK-1	Bar tensioner kit	1
3	LPS20-OTC-1	Oil cap assembly kit	1
4	BL82120	20V Battery	1
5	CHL82000	20V Charger	1

CALL US FIRST !!

Call us first with questions about operating or maintaining your pole saw at 1.800.618.7474 between 8:00 a.m. – 5:00 p.m. Eastern Standard Time, or get assistance on SCOTT.S.AMERICANLAWNMOWER.COM.



OWNER'S MANUAL

CORDLESS 20 VOLT POLE SAW LITHIUM-ION BATTERY PACK

Copyrights. All Rights Reserved.

SCOTTS WARRANTY POLICY

- **3 Year limited warranty** on all Scotts 20V lithium ion power tools from date of purchase when used for personal, household, or family use.
- **1 Year limited warranty** on all Scotts 20V lithium ion batteries and chargers from date of purchase when used for personal, household, or family use.

The Great States Corp. (GSC) warrants to the original owner that this Scotts product and service part is free from defects in materials and workmanship and agrees to repair or replace any defective product or part for the warranty period as stated above.

- Warranty voided if used for commercial or industrial purposes or any other improper use as determined by GSC.
- Warranty does not include repairs necessary due to operator's abuse or negligence (including overloading the product beyond capacity or immersion in water), or the failure to assemble, operate, maintain or store the product according to the instructions in the owner's manual.
- This warranty does not cover
 - ◇ Wear items, including but not limited to - drive belts & gears, tines, cutting blades, mower blades, saw chains, mulching blades, blower fans, spool covers, trimmer line, blower and vacuum tubes, guide bars, high pressure hoses, wheels, handles, augers, worn bags, power cables, and other items subject to wear over time.
 - ◇ Wear on batteries, including but not limited to - drops, wear and breakage on charger, exposure to extreme temperature swings (hot or cold), battery left on charger too long, battery left uncharged for too long, and misuse or abuse of the battery.
- This warranty does not cover damage caused by cold, heat, rain, excessive humidity or other environmental extremes.
- This warranty does not cover normal deterioration of the exterior finish or normal wear and tear on the products including, but not limited to scratches, cracks, dents, or damage caused by outside chemicals.
- This warranty is not transferable and only applies to new products sold directly from an authorized retailer. This warranty does not apply to any product, new or used, purchased through unauthorized third-party channels. For information on authorized dealers, contact our customer support hotline at 1-800-618-7474 (Mon-Fri 8am-5pm Est)
- Any incidental, indirect or consequential loss, damage, or expense that may result from any defect or malfunction of the products is not covered by the warranty.
- The warranty does not include installation, assembly or normal adjustments explained in the owner's manual. The expense of delivering the product to the vendor and the expense of returning the product or replacement parts to the owner is not covered by the warranty.

Additional Warranty Limitations

Some states do not allow the exclusion or limitation on how long an implied warranty lasts, so the above limitation may not apply to you. Products sold damaged or incomplete, sold — as is, or sold as reconditioned are not covered under the warranty.

Damage or liability caused by shipping, improper handling, improper assembly, incorrect voltage, improper wiring, improper maintenance, improper modification or the use of accessories and/or attachments not specifically recommended is not covered by this warranty.

Proof of purchase, original dated sales receipt, must accompany all warranty claims.

For claims go to scotts.americanlawnmower.com or call our customer support hotline from 8am-5pm EST, Mon-Fri at 1-800-618-7474



American Lawn Mower Company
The Great States Corporation
7444 Shadeland Station Way
Indianapolis, IN 46256 USA
Phone 1-800-618-7474
scotts.americanlawnmower.com



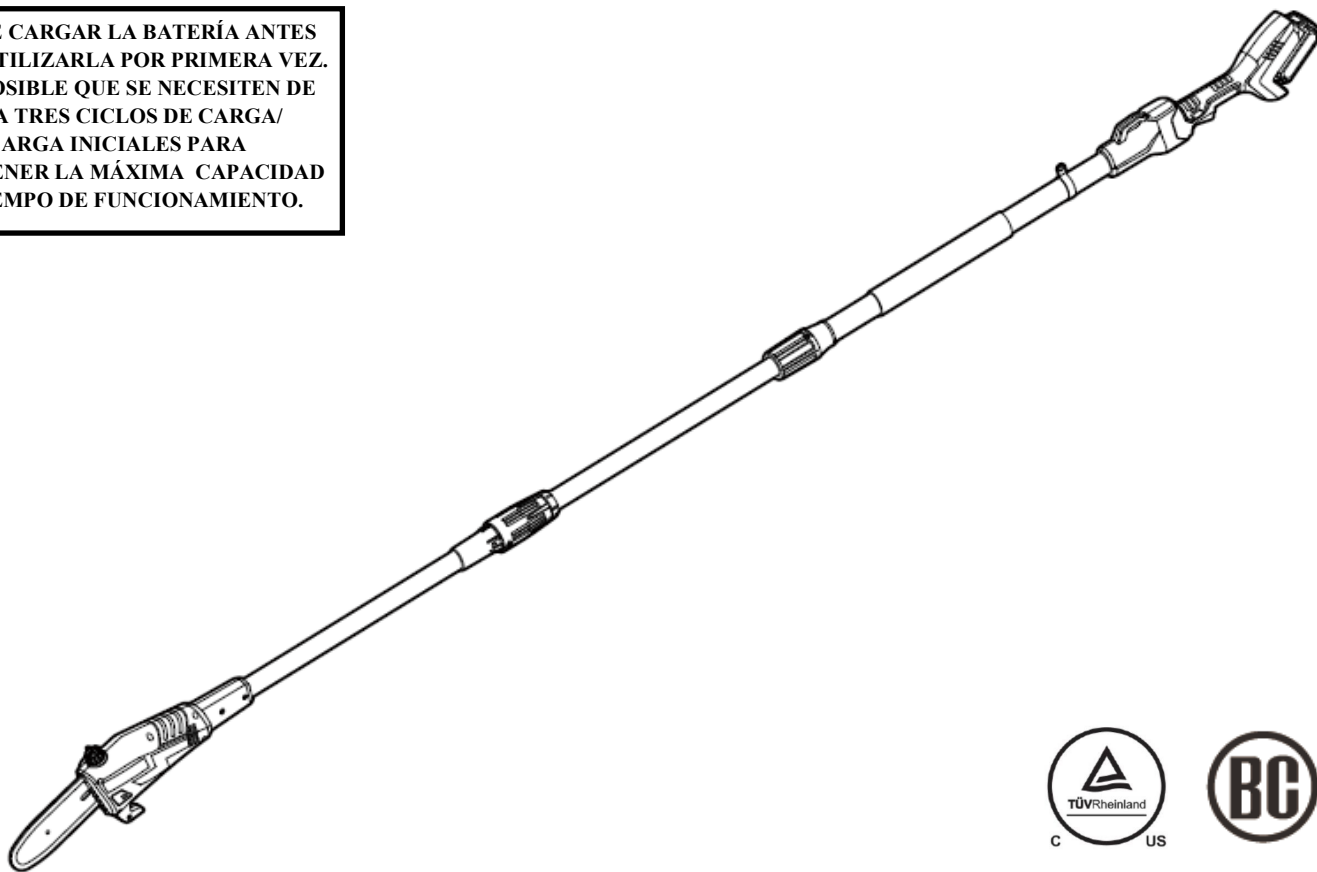
MANUAL DEL OPERARIO

MOTOSIERRA A BATERÍA DE 20 VOLTIOS DE LITIO-ION

Copyright. Todos los derechos reservados.

Modelo LPS40820S

DEBE CARGAR LA BATERÍA ANTES DE UTILIZARLA POR PRIMERA VEZ. ES POSIBLE QUE SE NECESITEN DE DOS A TRES CICLOS DE CARGA/DESCARGA INICIALES PARA OBTENER LA MÁXIMA CAPACIDAD O TIEMPO DE FUNCIONAMIENTO.



Cargador Cumple con CA está incluido (Modelo No. CHL82000)

Este producto ha sido diseñado y fabricado de acuerdo con nuestros altos estándares de confiabilidad, facilidad de operación y seguridad para el operario. Si se trata con cuidado, esta herramienta le otorgará años de óptimo rendimiento y resistencia.



ADVERTENCIA: Para reducir el riesgo de sufrir alguna lesión, el usuario debe leer y comprender el manual del operario antes de usar este producto.

AGREGAR ACEITE AL RESERVORIO DE ACEITE ANTES DEL PRIMER USO

Muchas gracias por su compra.

NO DEVUELVA ESTE PRODUCTO A LA TIENDA. ¿TIENE PREGUNTAS SOBRE FUNCIONAMIENTO, MONTAJE, PIEZAS O SERVICIO TÉCNICO? IR A SCOTTS.AMERICANLAWNMOWER.COM O LLAME AL 1-800-618-7474 ENTRE LAS 8:00 AM Y LAS 5:00 PM, HORA DEL ESTE DE LOS ESTADOS UNIDOS.

GUARDE ESTE MANUAL PARA CONSULTAS FUTURAS



ADVERTENCIAS DE SEGURIDAD IMPORTANTES



PARA REDUCIR EL RIESGO DE LESIONES:

Antes de poner en uso la herramienta, asegúrese de que todos los usuarios lean y comprendan las instrucciones de seguridad y la demás información incluida en este manual.



PRECAUCIÓN: Use protección auditiva apropiada mientras trabaja. En ciertas condiciones y con cierta duración de uso, el ruido generado por este producto puede contribuir a la pérdida de la audición.

Guarde estas instrucciones y revíselas con frecuencia antes de usar la herramienta y para impartirlas a otros.



ADVERTENCIA: Al utilizar aparatos eléctricos para el jardín, se recomienda respetar las precauciones de seguridad básicas que se detallan a continuación, a fin de reducir riesgos de incendios, descargas eléctricas y lesiones personales.

LEA TODAS LAS INSTRUCCIONES

ADVERTENCIAS DE SEGURIDAD GENERALES PARA LA HERRAMIENTAS ELÉCTRICAS



ADVERTENCIA: Lea todas las advertencias de seguridad y las instrucciones. La inobservancia de las advertencias e instrucciones puede causar descargas eléctricas, incendios o lesiones graves. **Guarde todas las advertencias e instrucciones para consultarlas en el future** El término "herramienta eléctrica" en las advertencias se refiere a las herramientas eléctricas que funcionan con corriente (con cordón) o las que funcionan con batería (inalámbricas).

Área de trabajo

- **Mantenga limpia y bien iluminada el área de trabajo.** Un área de trabajo mal despejada o mal iluminada propicia accidentes.
- **No utilice herramientas motorizadas en atmósferas explosivas, como las existentes alrededor de líquidos, gases y polvos inflamables.** Las herramientas eléctricas generan chispas que pueden encender el polvo y los vapores inflamables.
- **Mantenga alejados a los niños y circunstancias al maniobrar una herramienta eléctrica.** Toda distracción puede causar la pérdida del control de la herramienta.

Seguridad eléctrica

- **Las clavijas de las herramientas eléctricas deben corresponder a las tomas de corriente donde se conectan. Nunca modifique la clavija de ninguna forma. No utilice ninguna clavija adaptadora con herramientas eléctricas dotadas de contacto a tierra.** Conectando las clavijas originales en las tomas de corriente donde corresponden se disminuye el riesgo de una descarga eléctrica.
- **Evite el contacto del cuerpo con las superficies de objetos conectados a tierra, como las tuberías, radiadores, estufas y refrigeradores.** Existe un mayor riesgo de descargas eléctricas si el cuerpo está haciendo tierra.
- **No exponga las herramientas eléctricas a la lluvia ni a condiciones de humedad.** La introducción de agua en una herramienta eléctrica aumenta el riesgo de descargas eléctricas.
- **No maltrate el cordón eléctrico. Nunca utilice el cordón para trasladar, desconectar o tirar de la herramienta eléctrica. Mantenga el cordón lejos del calor, aceite, bordes afilados y piezas móviles.** Los cordones eléctricos dañados o enredados aumentan el riesgo de descargas eléctricas.
- **Al utilizar una herramienta eléctrica a la intemperie, use un cordón de extensión apropiado para el exterior.** Usando un cordón adecuado para el exterior se disminuye el riesgo de descargas eléctricas.
- **Si debe operar una herramienta en lugares húmedos, use un suministro protegido por un interruptor de circuito con pérdida a tierra (GFCI).** El uso de un GFCI reduce el riesgo de descargas eléctricas.

Seguridad personal

- **Permanezca alerta, preste atención a lo que esté haciendo y aplique el sentido común al utilizar herramientas eléctricas. No utilice la herramienta eléctrica si está cansado o se encuentra bajo los efectos de alguna droga, alcohol o medicamento.** Un momento de inatención al utilizar una herramienta eléctrica puede causar lesiones corporales serias.
- **Utilice protección el equipo otros. Siempre póngase protección ocular.** El uso de equipo protector como mascarilla para el polvo, calzado de seguridad, casco y protección para los oídos en las circunstancias donde corresponda disminuye el riesgo de lesiones.
- **Evite que la herramienta se active accidentalmente. Asegúrese de que el interruptor esté en la posición de apagado antes de conectar la herramienta a un suministro de corriente o de colocar un paquete de baterías.** Transportar herramientas eléctricas con el dedo en el interruptor o enchufar herramientas eléctricas que tienen el interruptor encendido puede ocasionar accidentes.

- **Retire toda llave o herramienta de ajuste antes de encender la herramienta eléctrica.** Toda llave o herramienta de ajuste dejada en una pieza giratoria de la herramienta eléctrica puede causar lesiones.
- **No estire el cuerpo para alcanzar mayor distancia. Mantenga una postura firme y buen equilibrio en todo momento.** De esta manera se logra un mejor control de la herramienta eléctrica en situaciones inesperadas.
- **Vístase adecuadamente. No vista ropas holgadas ni joyas. Mantenga el cabello, la ropa y los guantes alejados de las piezas móviles.** Las ropas holgadas y las joyas, así como el cabello largo, pueden engancharse en las piezas móviles.
- **Si se suministran dispositivos para conectar mangueras de extracción y captación de polvo, asegúrese de que éstas estén bien conectadas y se usen correctamente.** El uso de la captación de polvo puede reducir los peligros relacionados con éste.

Empleo y cuidado de la herramienta eléctrica

- **No fuerce la herramienta eléctrica. Utilice la herramienta eléctrica adecuada para cada trabajo.** La herramienta eléctrica adecuada efectúa mejor y de manera más segura el trabajo, si además se maneja a la velocidad para la que está diseñada.
- **No utilice la herramienta si el interruptor no enciende o no apaga.** Cualquier herramienta eléctrica que no pueda controlarse con el interruptor es peligrosa y debe repararse.
- **Desconecte la clavija del suministro de corriente o retire el paquete de baterías de la herramienta eléctrica, según sea el caso, antes de efectuarle cualquier ajuste, cambiarle accesorios o guardarla.** Tales medidas preventivas de seguridad reducen el riesgo de poner en marcha accidentalmente la herramienta.
- **Guarde las herramientas eléctricas desocupadas fuera del alcance de los niños y no permita que las utilicen personas no familiarizadas con las mismas o con estas instrucciones.** Las herramientas eléctricas son peligrosas en manos de personas no capacitadas en el uso de las mismas.
- **Preste servicio a las herramientas eléctricas. Revise para ver si hay desalineación o atoramiento de piezas móviles, ruptura de piezas o cualquier otra condición que pueda afectar el funcionamiento de la herramienta. Si está dañada la herramienta eléctrica, permita que la reparen antes de usarla.** Numerosos accidentes son causados por herramientas eléctricas mal cuidadas.
- **Mantenga las herramientas de corte afiladas y limpias.** Las herramientas de corte bien cuidadas y con bordes bien afilados, tienen menos probabilidad de atascarse en la pieza de trabajo y son más fáciles de controlar.
- **Utilice la herramienta eléctrica, los accesorios y brocas, hojas y cuchillas de corte, ruedas de esmeril, etc. de conformidad con estas instrucciones, tomando en cuenta las condiciones de trabajo y la tarea por realizar.** Si se utiliza la herramienta eléctrica para operaciones diferentes de las indicadas podría originar una situación peligrosa.

Empleo y cuidado de la herramienta de baterías

- **Sólo cargue el paquete de baterías con el cargador especificado por el fabricante.** Un cargador adecuado para un tipo paquete de baterías puede significar un riesgo de incendio si se emplea con un paquete de baterías diferente.
- **Utilice las herramientas eléctricas sólo con los paquetes de baterías específicamente indicados.** El empleo de paquetes de baterías diferentes puede presentar un riesgo de incendio.

- Cuando no esté utilizándose el paquete de baterías, manténgalo lejos de otros objetos metálicos, como clips, monedas, llaves, clavos, tornillos o otros objetos metálicos, pequeños que puedan establecer conexión entre ambas terminales. Establecer una conexión directa entre las dos terminales de las baterías puede causar quemaduras o incendios.
- Si se maltratan las baterías, puede derramarse líquido de las mismas; evite todo contacto con éste. En caso de contacto, lávese con agua. Si el líquido llega a tocar los ojos, además busque atención médica. El líquido de las baterías puede causar irritación y quemaduras.

Servicio

- Permita que un técnico de reparación calificado preste servicio a la herramienta eléctrica, y sólo con piezas de repuesto idénticas. De esta manera se mantiene la seguridad de la herramienta eléctrica.
- Al dar servicio a una herramienta eléctrica, sólo utilice piezas de repuesto idénticas. Siga las instrucciones señaladas en la sección Mantenimiento de este manual. El empleo de piezas no autorizadas o el incumplimiento de las instrucciones de mantenimiento puede significar un riesgo de descarga eléctrica o de lesiones.

NORMAS GENERALES DE SEGURIDAD

EVITE AMBIENTES PELIGROSOS. No utilice esta herramienta en la lluvia ni en lugares húmedos o mojados. Tampoco trabaje en entornos donde existan gases o sustancias explosivas. Por lo general, los motores de estas herramientas producen chispas que podrían inflamar los gases.

USE ROPA ADECUADA. No use prendas sueltas ni artículos de joyería. Use protección para cubrir y contener el cabello largo, ya que puede quedar atrapado en las piezas móviles. Se recomienda usar guantes de goma y calzado resistente cuando se trabaja al aire libre.

USE GAFAS DE SEGURIDAD. Al trabajar con este producto, use gafas de seguridad con protectores laterales que cumplan con la norma ANSI Z87.1. Protéjase la cara con una mascarilla antipolvo si el ambiente genera polvo.

⚠ PELIGRO: Riesgo de corte. Mantenga las manos alejadas de la cadena. Mantenga ambas manos en forma segura en los mangos mientras la herramienta está encendida.

USE LA HERRAMIENTA EN FORMA CORRECTA. No utilice esta herramienta en trabajos para los que no esté indicada.

USE PROTECCIÓN PARA LA CABEZA Y LA CARA. Mientras utiliza esta herramienta, use un casco de seguridad con un protector completo para la cara que cumpla con los estándares ANSI (ANSI Z89.1) o estándares CE.

⚠ PRECAUCIÓN: Nunca se pare bajo la rama que está cortando. Ubíquese fuera del alcance de desechos que puedan caer.

DESCONECTE LA MOTOSIERRA de la batería cuando no esté en uso o durante el servicio de mantenimiento o la limpieza. Manténgala bajo vigilancia constante.

EVITE EL ENCENDIDO ACCIDENTAL. No transporte la motosierra con el dedo en el interruptor. Asegúrese de que el interruptor esté en la posición de apagado antes de instalar la batería.

⚠ PRECAUCIÓN: Nunca transporte la motosierra con una mano, la motosierra puede perder el equilibrio y causar daños o lesiones personales de gravedad.

MANTENGA ALEJADOS A LOS NIÑOS. Todos los visitantes, niños y mascotas deben mantenerse a una distancia segura de la zona de trabajo. Nunca permitir que los niños operen la motosierra.

GUARDE LA MOTOSIERRA BAJO TECHO. Cuando no esté en uso, la deberá guardar en un lugar cerrado, seco y elevado o fuera del alcance de los niños.

NO TRATE de sacar o conservar el material cortado mientras la motosierra está en funcionamiento y la cadena está en movimiento. Asegúrese de que la herramienta esté apagada cuando quite material atascado de la cadena. No tome la motosierra por los bordes filosos al tratar de levantarla o sostenerla. Mantenga todas las partes del cuerpo alejadas de la cadena de la sierra.

⚠ PRECAUCIÓN: La cadena se mueve por inercia después de apagar el motor.

⚠ ADVERTENCIA: Para protegerse de una posible electrocución, no trabaje a menos de 50 pies de distancia de líneas eléctricas aéreas.

NO FUERCE LA MOTOSIERRA. Realizará mejor el trabajo con menor probabilidad de lesiones si maneja la motosierra a la velocidad para la que fue diseñada.



NORMAS GENERALES DE SEGURIDAD



PONGA ATENCIÓN. Observe lo que está haciendo. Use el sentido común. No opere la motosierra si está cansado o bajo la influencia de medicamentos, drogas o alcohol.

PELIGRO: Si la cadena se atasca en algún cable o línea eléctrica, **NO TOQUE LA BARRA NI LA CADENA. PUEDEN ESTAR ELECTRIFICADAS Y SER PELIGROSAS.** Suelte la unidad de la forma más segura posible. Desconecte el cable o línea eléctrica dañada del suministro eléctrico. Si es posible, hágalo de una manera segura. Si tiene dudas, llame a un electricista o al contratista eléctrico para obtener ayuda. El no prestar atención a este aviso de peligro podría causar lesiones personales de gravedad y, posiblemente, la muerte.

ILUMINACIÓN. Trabaje sólo con luz natural o buena luz artificial.

NO ADOPTÉ UNA POSTURA INCÓMODA. Mantenga una base de apoyo firme y buen equilibrio en todo momento.

Asegúrese de extraer la batería al quitar el material atascado en las cuchillas.

VERIFIQUE LAS PIEZAS DAÑADAS. Antes de seguir usando la motosierra, se deberán revisar las piezas dañadas en forma exhaustiva para determinar si la herramienta funcionará correctamente y realizará el trabajo previsto. Compruebe la alineación y las uniones de las piezas móviles, el montaje, averías de componentes y otros factores que puedan afectar el funcionamiento. Se debe reparar o reemplazar cualquier pieza dañada en forma adecuada. Comuníquese con nuestra línea de ayuda de atención al cliente al 1-800-618-7474 para recibir asistencia.

Siempre use tapones o silenciadores para proteger los oídos. Los usuarios frecuentes deben someterse a exámenes auditivos periódicos debido a que el ruido generado por las motosierras puede dañar la audición.

TENGA CUIDADO AL REALIZAR EL MANTENIMIENTO. Las cuchillas siempre deben estar afiladas y limpias para lograr un óptimo funcionamiento y reducir el riesgo de lesiones. Mantenga los mangos secos, limpios y libres de grasa y aceite.

ADVERTENCIA: Proposición 65 de California: Este producto contiene sustancias químicas al estado de California como causantes de cáncer, defectos de nacimiento u otros problemas reproductivos.

ADVERTENCIA: Parte del polvo y los desechos generados por el uso de esta herramienta contienen químicos reconocidos por el Estado de California como causantes de cáncer, defectos de nacimiento u otros efectos nocivos para el aparato reproductor. Algunos ejemplos de estos productos químicos son:

- químicos presentes en fertilizantes;
- compuestos presentes en insecticidas, herbicidas y pesticidas; y
- arsénico y cromo de maderas tratadas químicamente.

El riesgo que usted corre al exponerse a estos químicos varía según la frecuencia con la que realiza este tipo de trabajo. Para reducir la exposición, trabaje en una zona bien ventilada y utilice equipo de protección aprobado, como mascarillas antipolvo especialmente diseñadas para filtrar partículas microscópicas.

ADVERTENCIA: Cáncer y Daño Reproductivo - www.P65Warnings.ca.gov.

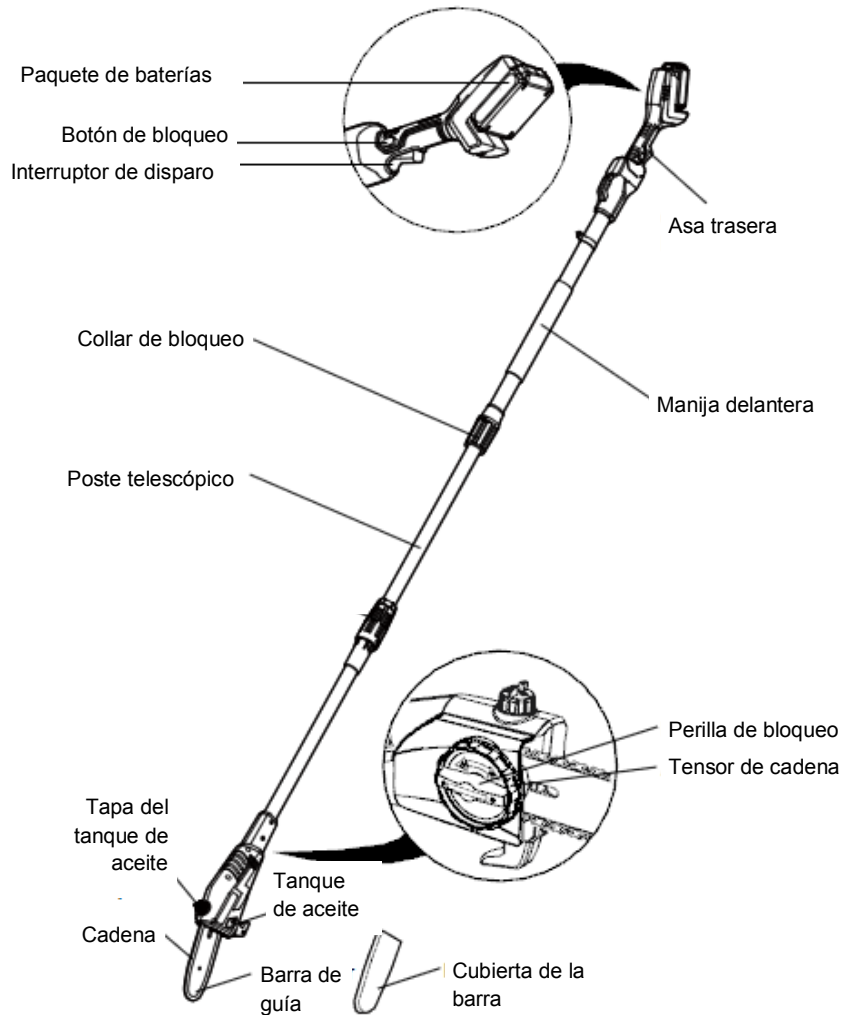
PRECAUCIÓN: Use solo las siguientes baterías de tipo y tamaño: BL82120.

CARACTERÍSTICAS

ESPECIFICACIONES DEL PRODUCTO

LPS40820S

Entrada 20 V / 2.0Ah, solo CC
Longitud de la barra Barra Oregon. . .8 pulg. (M1430833-1041TL)
Peso 8.6 libras
Largo total en extensión 9 pies 4 pulg.
Capacidad de aceite.75 ml



MONTAJE

DESEMBALAJE

Este producto requiere algunas operaciones de montaje.

Extraiga la herramienta y los accesorios de la caja con cuidado. Asegúrese de que estén incluidos todos los elementos detallados en la lista de embalaje.

Inspeccione el producto detenidamente para corroborar que no existan roturas ni averías ocurridas durante el envío.

No deseche el material de embalaje hasta haber inspeccionado exhaustivamente el producto y comprobar que funciona en forma satisfactoria.

LISTA DE EMBALAJE

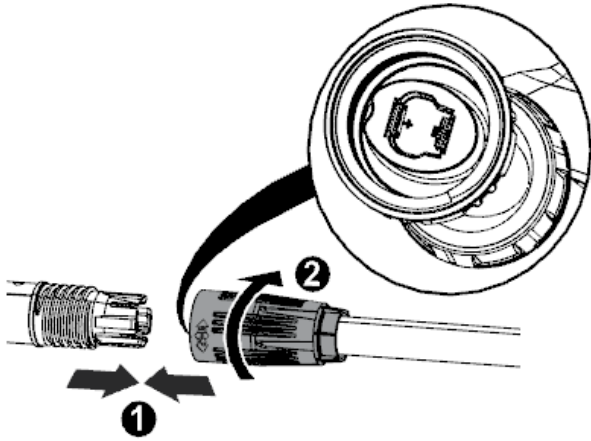
- Cabeza de sierra de poste
- Poste telescópico
- Paquete de batería y cargador
- Cadena y barra
- Cubierta de cuchilla
- Bandolera
- El manual del propietario

MONTAJE

Montaje de poste:

Conecte la sección superior en la parte inferior.

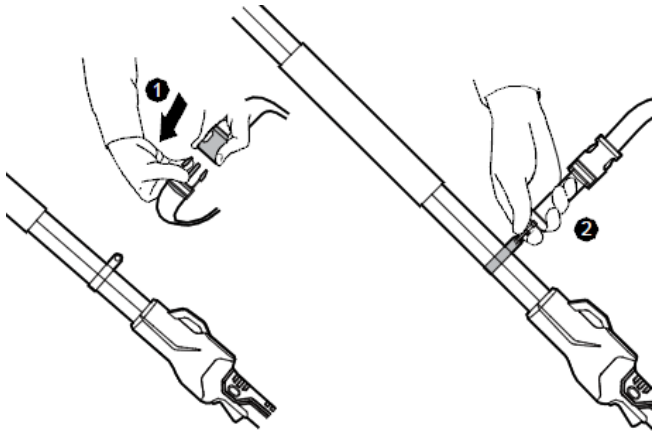
Bajate el collar de bloqueo sobre la conexión y gire hacia la derecha para asegurar las dos piezas juntas.



NOTA: Tenga en cuenta las marcas de polaridad de los contactos.

FIJACIÓN DE LA CORREA DE HOMBRO

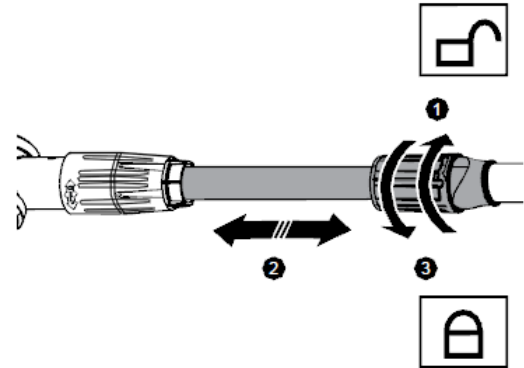
Enganche el cierre de la correa ①. Suspended la correa para el hombro en el accesorio ②.



AJUSTAR LA LONGITUD DEL TUBO TELESCÓPICO

Retire la batería de la motosierra telescópica.

- Suelte el collar de bloqueo del poste telescópico.
- Separe el poste telescópico hasta obtener la altura de trabajo requerida.
- Apriete completamente el bloqueo collar.



NOTA: Extienda el polo sólo a la longitud requerida para alcanzar la rama a cortar. No extienda el mango por encima de la altura de la cintura.

NOTA: Ajuste la colocación de mano sobre el eje de la motosierra telescópica para mantener el equilibrio apropiado.

No intente utilizar la motosierra telescópica en una longitud que no permite mantener el equilibrio adecuado y en todo momento.

⚠ ADVERTENCIA: Si falta alguna pieza o está dañada, no utilice este producto hasta reponer la pieza en cuestión. De lo contrario, podría sufrir lesiones personales de gravedad. Llame al 1-800-618.7474 para obtener asistencia

⚠ ADVERTENCIA: Si no para bloquear la abrazadera tubo telescópico según las instrucciones podrían sufrirse lesiones personales.

INSTALACIÓN / REEMPLAZO DE LA BARRA GUÍA Y LA CADENA

⚠ PELIGRO: Nunca encienda el motor antes de instalar la barra guía, la cadena y la tapa de la cadena. Si estas piezas no están en su lugar, el embrague puede salir disparado o explotar, lo que expondrá al usuario a una posible lesión grave.

⚠ ADVERTENCIA: Para evitar lesiones personales graves, lea y comprenda las instrucciones de seguridad provistas.

⚠ ADVERTENCIA: Antes de realizar alguna tarea de mantenimiento, asegúrese de retirar el paquete de baterías. De lo contrario, podría sufrir lesiones personales de gravedad.

⚠ PRECAUCIÓN: Use siempre guantes al manipular la barra y la cadena. Estos componentes son filosos y pueden contener rebabas.

⚠ ADVERTENCIA: Nunca toque o ajuste la cadena mientras el motor está en funcionamiento. La cadena de la motosierra es muy filosa; por lo tanto, siempre utilice guantes de protección al realizar el mantenimiento de la cadena para evitar posibles laceraciones graves

⚠ NOTA: Use únicamente piezas de reemplazo idénticas al reemplazar la barra guía y la cadena.

INSTALACIÓN / REEMPLAZO DE LA BARRA GUÍA Y LA CADENA

- Retire la batería de la sierra de pértiga
- Afloje la perilla de bloqueo (Fig. 1 ①) girándola en sentido antihorario.
- Retire la cubierta de la cadena (Fig.1 ②).
- Coloque la barra con el orificio longitudinal en el perno roscado (Fig.1 ③).

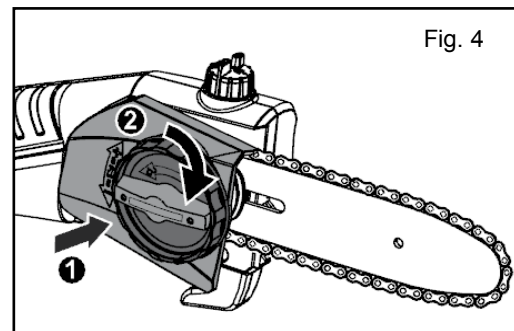
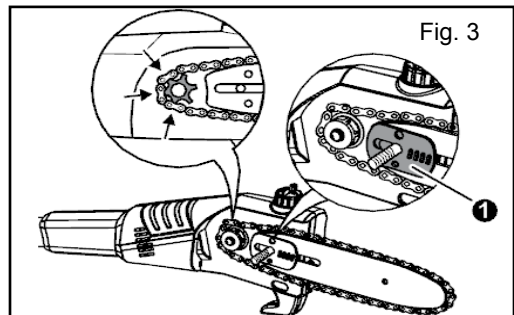
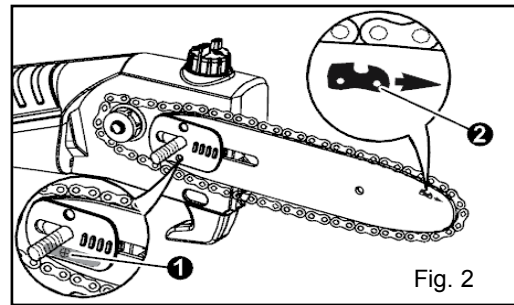
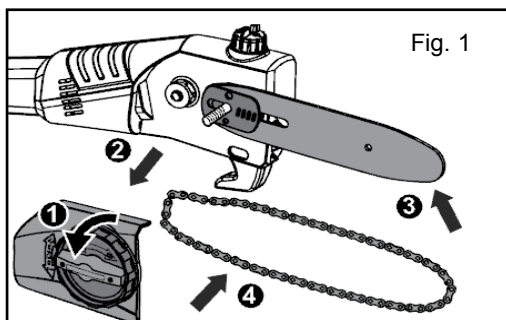
NOTA: Asegúrese de que la placa tensora de la cadena apunte hacia adelante (Fig. 3 ①).

NOTA: Verifique el correcto asentamiento del tornillo guía en el lado trasero de la barra en la ranura guía (Fig. 2 ①).

- Empuje la barra lo más cerca posible de la rueda dentada.
- Coloque la cadena alrededor de la barra y la rueda dentada de transmisión (Fig. 1 ④).

NOTA: Asegúrese de que la cadena se mueva en la dirección correcta (Fig. 2 ②).

- Verifique la posición de la barra y la cadena en la herramienta (Fig. 3).
- Coloque la tapa (Fig. 4 ①) y apriétela con la perilla de bloqueo (Fig. 4 ②).



TENSIÓN LA CADENA

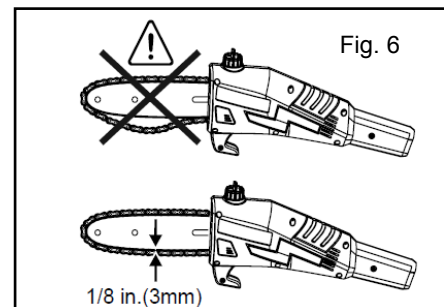
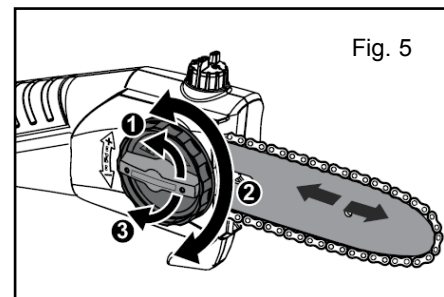
⚠ ADVERTENCIA: Siempre retire la batería del producto cuando esté ensamblando piezas, haciendo ajustes, limpiando o cuando el producto no esté en uso. Use guantes de seguridad antes de cualquier trabajo en la cadena.

NOTA: La cadena de corte no debe hundirse, sin embargo, debe ser posible tirar de ella aproximadamente a 1/8 pulg. (3 mm) de la barra (Fig. 6).

- Atornille la perilla de bloqueo (Fig. 5 ①) lo suficiente como para permitir la rotación del tensor de la cadena (Fig. 5 ②).
- Gire el tensor de la cadena hacia la derecha para tensar la cadena o hacia la izquierda para aflojarla.
- Gire manualmente la cadena para verificar el funcionamiento sin fallas.
- Apriete la perilla de bloqueo nuevamente (Fig.5 ③).

NOTA: Durante el funcionamiento de una nueva cadena, se debe volver a tensar después de no más que cortes.

NOTA: No tense demasiado la cadena, ya que esto provocará un desgaste excesivo y reducirá la vida útil de la barra y la cadena. El sobretensión también reduce la cantidad de cortes que recibirá por carga de batería.

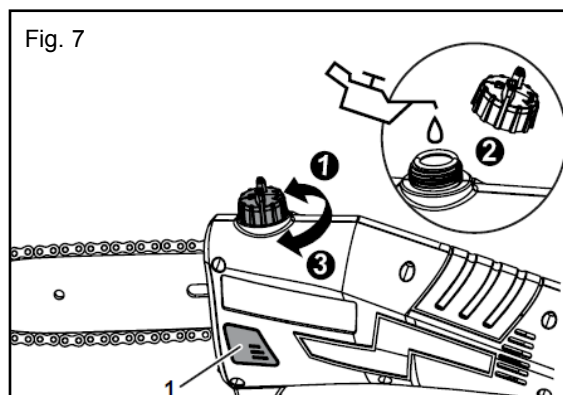


LLENADO DE ACEITE DE CADENA DE CORTE

- ⚠ **ADVERTENCIA:** Siempre retire la batería del producto cuando esté ensamblando piezas, haciendo ajustes, limpiando o cuando el producto no esté en uso.
- ⚠ **ADVERTENCIA:** ¡El uso de aceite viejo puede dañar la bomba de aceite, la barra y la cadena! Nunca use aceite viejo para lubricar la cadena.
- ⚠ **ADVERTENCIA:** No fume ni acerque fuego ni llamas cerca del aceite o la sierra de pértiga. El petróleo puede derramarse y provocar un incendio.
- ⚠ **PRECAUCIÓN:** el aceite de cadena se libera al medio ambiente durante la operación, por lo tanto, se debe usar aceite vegetal biodegradable especial como aceite de cadena.
- ⚠ **PRECAUCIÓN:** Opere la herramienta solo con suficiente aceite para la cadena. Verifique el volumen de aceite a través del indicador de nivel de aceite.
- ⚠ **PRECAUCIÓN:** Tenga cuidado de no derramar aceite y limpie inmediatamente cualquier aceite derramado para evitar el riesgo de resbalones.
- ⚠ • Desenrosque lentamente la tapa del tanque, retírela y guárdela (Fig. 7 ①).
- Llenar cuidadosamente con aceite lubricante para cadenas hasta aproximadamente 0.4 " (10 mm) debajo del borde inferior del relleno (Fig. 7 ②).

- Vuelva a colocar la tapa del tanque y atorníllela (Fig. 7 ③).

- ⚠ **NOTA:** Verifique y rellene el tanque de aceite cada 15 minutos de tiempo de funcionamiento. El nivel de aceite se puede ver en el indicador de nivel de aceite. Asegúrese de que no entre suciedad en el tanque de aceite.



OPERACIÓN

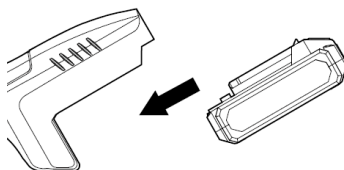
PARA INSTALAR / QUITAR EL PAQUETE DE BATERÍAS

CARGUE TOTALMENTE ANTES DEL PRIMER USO.

- ⚠ **ADVERTENCIA:** Siempre retire la batería del producto cuando esté ensamblando piezas, haciendo ajustes, limpiando o cuando no esté en uso. Quitar la batería evitará un arranque accidental que podría causar lesiones personales graves.

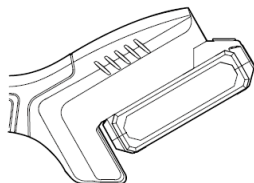
PARA INSTALAR (Fig. 8)

Alinee las costillas de la batería con las ranuras de montaje en el puerto de la batería de la sierra del poste. Inserte la batería hasta que encaje en su posición.



PARA QUITAR (Fig. 9)

Presione el botón de liberación de la batería; la batería se soltará del pestillo. Retire la batería de la sierra de pértiga.



Antes de encender la unidad, asegúrese de que no esté en contacto con ningún objeto.

ENCENDIDO DE LA HERRAMIENTA.

Presione el botón de bloqueo con el pulgar y luego apriete el gatillo con los dedos. (Una vez que la herramienta está en marcha, puede soltar el botón de bloqueo). Para apagar la máquina, suelte el gatillo.

- ⚠ **ADVERTENCIA:** Para prevenir daños personales, tenga en cuenta las siguientes recomendaciones:

Lea el manual de instrucciones antes de usar el producto y guárdelo para consultas futuras. Mantenga las manos alejadas de la cadena. Sostenga la herramienta con ambas manos en los mangos. No adopte una postura forzada.

Sujete el mango de manera adecuada y firme con ambas manos para mantener el control. Cuando utilice la herramienta como una motosierra telescópica, coloque una mano en el

empuñadura moldeada con los pulgares y demás dedos rodeando el mango y la empuñadura. Si sujeta la motosierra con firmeza y ubica el mango contra su cuerpo, podrá mantenerla bajo control. No la suelte.

- ⚠ **ADVERTENCIA:** No opere la motosierra en un árbol, en una escalera ni en un andamio; esto es sumamente peligroso.

PRECAUCIÓN: La cadena se mueve por inercia después de apagar el motor.

No trabaje en condiciones de humedad.

Tenga suma precaución al cortar broza de pequeño tamaño, vástagos o ramas con cierta tensión, debido a que los materiales delgados y tensos, al entrar en contacto con la motosierra, pueden salir proyectados hacia usted, hacerle perder el equilibrio o saltar hacia atrás.

No utilice la motosierra para cortar enredaderas ni malezas.

- ⚠ **ADVERTENCIA:** No permita que la familiaridad con este tipo de herramientas termine en negligencia. Recuerde que un segundo de descuido es suficiente para provocar una lesión grave.

- ⚠ **ADVERTENCIA:** No corte árboles cerca de cables eléctricos ni de edificaciones.

Posición de corte correcta

El peso debe estar equilibrado, con ambos pies apoyados en suelo firme. Coloque el brazo izquierdo con el codo trabado en la posición de "brazo extendido" para soportar la fuerza de retroceso. La mano derecha debe sostener la empuñadura con firmeza contra su cuerpo para obtener un mayor apoyo.

Su cuerpo siempre debe estar a la izquierda de la línea de la cadena.

- ⚠ **PRECAUCIÓN:** La falta de lubricación de la cadena provocará daños a la barra y la cadena. Use únicamente un aceite de buena calidad para la barra y la cadena, si no hubiera, lo puede reemplazar por aceite de motor de viscosidad SAE 30. El consumo aproximado de aceite durante un minuto de uso es de 0,15 onzas líquidas (5 ml).

- ⚠ **NOTA:** Es normal que la motosierra pierda parte del aceite cuando no está en uso. Para evitarlo, vacíe el tanque de aceite después de cada uso. Cuando almacene la unidad durante un período prolongado (tres meses o más) asegúrese de que la cadena esté ligeramente lubricada; esto evitará que se oxide la rueda dentada de la barra y la cadena.

- ⚠ **ADVERTENCIA:** No coloque ningún tipo de accesorio o dispositivo de sujeción en la motosierra. Dicha práctica podría resultar peligrosa.

- ⚠ **ADVERTENCIA:** Sostenga la podadora de alcance extendido solo por las superficies de agarre aisladas, ya que la cadena de la sierra puede entrar en contacto con cables ocultos o con su propio cable. Una cadena de sierra que entra en contacto con un cable "en vivo" puede hacer que las partes metálicas expuestas de la podadora de alcance extendido "en funcionamiento" puedan dar una descarga eléctrica al operador. Para reducir el riesgo de electrocución, nunca lo use cerca de cables eléctricos. El contacto o uso cerca de líneas eléctricas puede causar lesiones graves o descargas eléctricas que pueden provocar la muerte.

OPERACIÓN

⚠ ADVERTENCIA: Es posible que se produzca una fuerza de retroceso cuando la cadena en movimiento toca un objeto con la parte superior de la punta de la barra guía o cuando la madera atrapa y aprieta la motosierra en el corte. El contacto con la parte superior de la barra guía puede provocar que la cadena se incruste en el objeto y se detenga por un instante. El resultado es una rapidísima reacción inversa que impulsa la barra guía hacia arriba y hacia atrás en dirección al operario. Si se aprieta la motosierra a lo largo de la parte superior de la barra guía, ésta puede salir proyectada rápidamente hacia atrás en dirección al operario. Cualquiera de estas reacciones puede producir la pérdida de control de la motosierra, lo que puede hacer que el operario pierda el equilibrio y sufra lesiones graves. No dependa exclusivamente de los dispositivos de seguridad integrados a la motosierra. Como usuario, deberá tomar varias medidas para evitar accidentes y lesiones en sus trabajos de corte.

Se deben tener en cuenta las siguientes precauciones para evitar que se produzca una fuerza de retroceso:

1. Sostenga el mango y la empuñadura con firmeza con ambas manos cuando la unidad esté en funcionamiento. Coloque la mano derecha en la empuñadura trasera y la izquierda en el mango de la motosierra con los pulgares y dedos rodeándolos. Si sujeta la motosierra con firmeza y ubica la empuñadura contra su cuerpo, podrá mantenerla bajo control.
2. Asegúrese de que no haya obstrucciones en el área donde está trabajando. No permita que la punta de la barra guía toque ningún tronco, rama, cerca ni otra obstrucción con la que la motosierra pudiera entrar en contacto mientras trabaja.

3. Siempre corte con la unidad funcionando a toda velocidad. Apriete el gatillo del acelerador hasta el fondo y mantenga una velocidad de corte constante.
4. Use guantes antideslizantes para lograr un máximo agarre y protección.

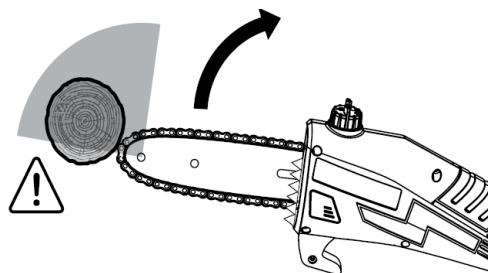
Primero, corte las ramas inferiores. De este modo, habrá más lugar para que caigan las ramas superiores.

Trabaje con lentitud y sostenga la motosierra firmemente con ambas manos.

Mantenga una base de apoyo firme y un buen equilibrio.

⚠ ADVERTENCIA: Para protegerse de una posible electrocución, mantenga una distancia mínima de 15 metros (50 pies) de las líneas eléctricas aéreas.

Las personas que se encuentren en el lugar deberán permanecer a una distancia de por lo menos 15 metros (50 pies).



INSTRUCCIONES DE OPERACIÓN

PROCEDIMIENTO BÁSICO DE CORTE

Observe las figuras 8 y 9

El árbol debe estar entre usted y la cadena durante el corte de las ramas.

Corte desde el lado del árbol opuesto a la rama que está cortando.

No se suba a una escalera para cortar; esto es sumamente peligroso. Permita que un profesional se encargue de esta tarea.

No utilice la motosierra para talar ni serrar.

Para evitar una posible electrocución, no trabaje a menos de 15 m (50 pies) de distancia de líneas eléctricas aéreas. Siga los pasos que se indican a continuación para evitar que se dañe la corteza del árbol o arbusto.

No realice un movimiento de corte de atrás hacia delante. No realice un corte al ras junto al tronco principal hasta que haya cortado la rama lo suficiente para reducir el peso.

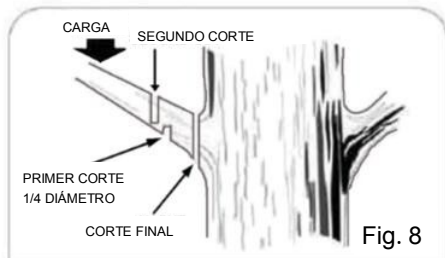
Seguir los procedimientos de corte adecuados evitará quitar la corteza del miembro principal.

Haga un primer corte superficial (1/4 de diámetro de la extremidad) en la parte inferior de la extremidad cerca de la extremidad principal o el tronco,

Haga un segundo corte desde el lado superior de la rama fuera del primer corte. Continúa cortando la rama hasta que la rama se separe del árbol. Está preparado para equilibrar el peso de la herramienta cuando se caiga la extremidad.

Haga un corte final cerca del tronco.

Para el segundo y último corte (desde la parte superior de la rama o rama), sostenga la guía de corte frontal contra la rama que se está cortando. Esto ayudará a estabilizar la extremidad y facilitará el corte. Permita que la cadena se corte por usted; ejerza solo una ligera presión hacia abajo. Si fuerza el corte, puede dañar la barra, la cadena o el motor.



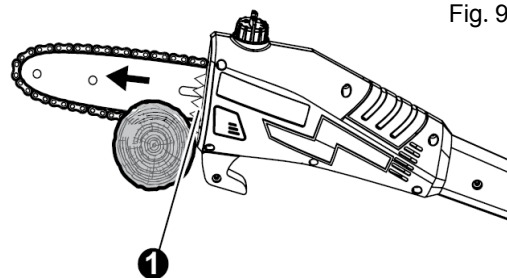
Suelte el gatillo tan pronto como se complete el corte. Si no se siguen los procedimientos de corte adecuados, la barra y la cadena se atascarán y quedarán atrapadas o atrapadas en la extremidad.

Si esto sucediera:

Pare el motor y retire la batería.

Si se puede alcanzar la extremidad desde el suelo, levántela mientras sostiene la sierra. Esto debería liberar el "PINCH" y liberar la sierra.

Si la sierra todavía está atrapada, llame a un profesional para obtener ayuda.



LIMPIEZA Y PODA

Ver figura 10

Esta unidad está diseñada para cortar ramas y ramas pequeñas de hasta 15 cm (6 pulgadas) de diámetro.

Para mejores resultados, observe las siguientes precauciones.

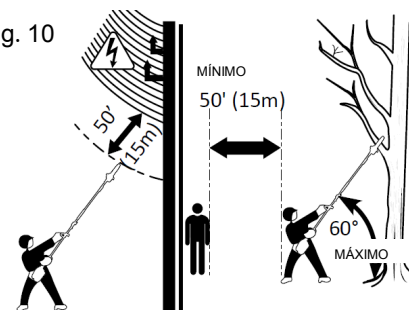
Planifica el corte con cuidado. Tenga en cuenta la dirección en que caerá la rama.

Las ramas pueden caer en direcciones inesperadas. No se pare directamente debajo de la rama que se está cortando.

La aplicación de corte más típica es colocar la unidad en un ángulo de 60° o menos, según la situación específica, como se muestra. A medida que aumenta el ángulo del eje de la sierra de pértiga al suelo, aumenta la dificultad de realizar el primer corte (desde la parte inferior de la extremidad).

Eliminar ramificado largo en varias etapas.

Fig. 10



TENSIÓN DE LA CADENA Y MANTENIMIENTO

MANTENIMIENTO DE LA CADENA

PRECAUCIÓN: Extraiga el paquete de baterías y asegúrese de que la cadena se haya detenido antes de realizar cualquier trabajo de mantenimiento en la motosierra.

Para lograr un corte uniforme y rápido, la cadena debe tener un mantenimiento adecuado. Es necesario afilar la cadena cuando la madera tiene astillas pequeñas y produce mucho polvo. Se debe aplicar fuerza para que la cadena penetre en la madera durante el corte; de lo contrario, la cadena cortará hacia un costado. Durante el mantenimiento de la cadena, recuerde:

- Un ángulo de limado incorrecto de la placa lateral puede aumentar el riesgo de retroceso intenso.
- La separación del puntal inclinado (calibre de profundidad).
- Si el calibre es demasiado bajo, aumenta el riesgo de fuerza de retroceso.
- Si no es lo suficientemente bajo, la capacidad de corte disminuye.
- Si los dientes de las cuchillas han golpeado objetos duros como clavos y piedras o se erosionaron por la acción del barro o la arena presentes en la madera, el proveedor del servicio técnico deberá afilar la cadena.

NOTA: Al reemplazar la cadena, inspeccione la rueda dentada para verificar si está gastada o dañada. Si existen signos de desgaste o daños en las áreas indicadas, reemplace la rueda dentada en el servicio técnico autorizado.

AFILADO DE LAS CUCHILLAS

Asegúrese de limar todas las cuchillas según los ángulos específicos y a la misma longitud; la rapidez en el corte se logra sólo cuando todas las cuchillas están uniformes.

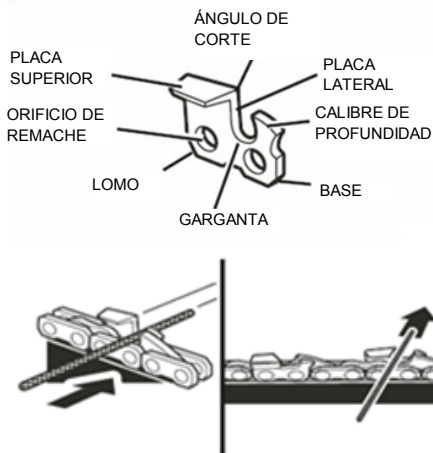
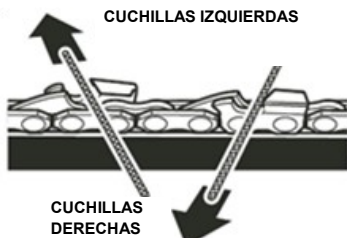
Use guantes para protegerse las manos. Tense la cadena en la forma correcta antes del afilado. Consulte la sección "Tensión de la cadena" que aparece anteriormente en este manual. Realice el trabajo de limado en la mitad de la barra.

Utilice una lima redonda de 5/32 pulg. de diámetro y un soporte.

Mantenga el nivel de la lima con la placa superior del diente. No permita que la lima se hunda ni se balancee. Aplique una presión leve pero firme; dirija la lima hacia el ángulo frontal del diente.

Levante la lima del acero en cada pasada de vuelta.

Realice algunas pasadas firmes en cada diente. Lime todas las cuchillas izquierdas en una misma dirección. Luego siga con el otro lado y lime las cuchillas derechas en la dirección opuesta. De vez en cuando, retire las limaduras con un cepillo de alambre.

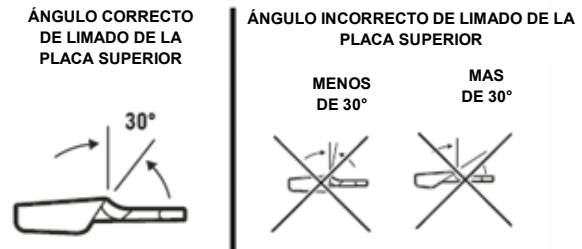


ÁNGULO DE LIMADO DE LA PLACA SUPERIOR

Ángulo correcto de 30 grados: los soportes de la lima están señalizados con marcas guía para alinear la lima correctamente y lograr el ángulo adecuado de la placa superior.

Menos de 30 grados: se obtiene un corte cruzado.

Más de 30 grados: se obtiene un borde en bisel que pierde filo rápidamente.

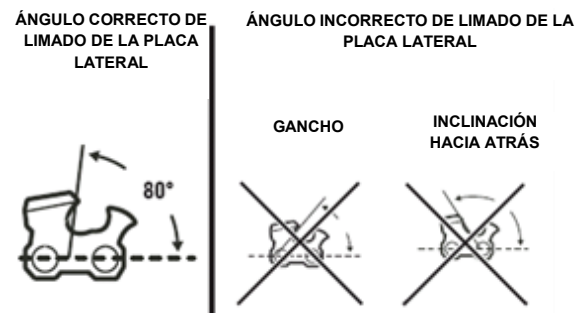


ÁNGULO DE LA PLACA LATERAL

Correcto: 80 grados se producen automáticamente si se utiliza la lima del diámetro correcto en el soporte de la lima.

Gancho: se "traba" y pierde filo rápidamente. Aumenta el riesgo de retroceso. Esto se produce al usar una lima de un diámetro demasiado pequeño o que se sostiene en una posición baja.

Inclinación hacia atrás: necesita demasiada presión de alimentación, causa un desgaste excesivo a la barra y cadena. Esto se produce al usar una lima de un diámetro demasiado grande o que se sostiene en una posición muy alta.



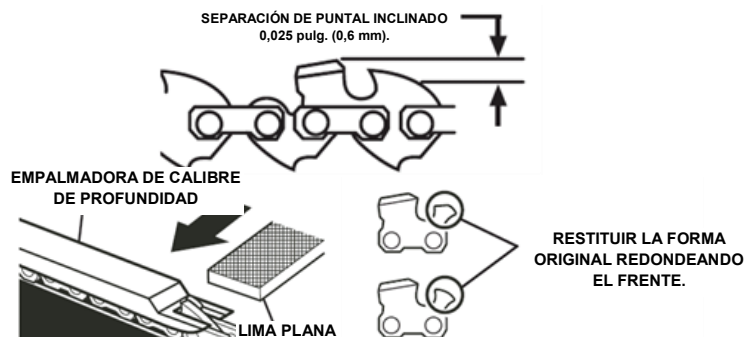
SEPARACIÓN DEL CALIBRE DE PROFUNDIDAD

El calibre de profundidad se debe mantener a una distancia de 0,025 pulg. (0,6 mm). Utilice una herramienta para verificar las separaciones del calibre de profundidad.

Después de limar la cadena, compruebe la separación del calibre de profundidad.

Utilice una lima plana y una empalmadora para bajar todos los calibres de manera uniforme. Existen en el mercado empalmadoras de calibre de profundidad de 0,020 a 0,035 pulg. (0,5 mm a 0,9 mm). Utilice una empalmadora de 0,025 pulg. (0,6 mm). Después de bajar cada calibre de profundidad, restituya la forma original redondeando el frente. Tenga cuidado de no dañar los eslabones impulsores contiguos con el borde de la lima.

Los calibres de profundidad se deben ajustar con la lima plana en la misma dirección en que se afiló la cuchilla con la lima redonda. Tenga la precaución de no tocar la cara de la cuchilla con la lima plana al ajustar los calibres de profundidad.



ADVERTENCIA: El afilado incorrecto de la cadena aumenta el riesgo de fuerza de retroceso.

ADVERTENCIA: La falta de reparación o reemplazo de una cadena dañada puede provocar lesiones de gravedad.

ADVERTENCIA: La cadena de la motosierra es muy filosa; por lo tanto, siempre utilice guantes de protección al realizar el mantenimiento de la cadena.

CARGA DEL PAQUETE DE BATERÍAS

Cargue el paquete de baterías únicamente con el cargador provisto.

Deje por lo menos 60 minutos de tiempo de carga antes del primer uso de la motosierra.

Asegúrese de que el voltaje del suministro eléctrico sea el doméstico normal: 120 voltios, 60 Hz, CA únicamente.

El cargador de baterías debe funcionar en temperaturas que oscilen entre los 4 y 40 °C (39 y 104 °F).

La batería debe cargarse en un lugar fresco y seco.

Es posible que se necesiten de dos a tres ciclos de carga/descarga iniciales para obtener la máxima capacidad o tiempo de funcionamiento.

No intente abrir el cargador ni la unidad, ya que en su interior no existen piezas que el usuario pueda reparar. Comuníquese con nuestra línea de ayuda de atención al 1-800-618-7474 para recibir asistencia.

NO incinere los paquetes de baterías, aunque estén muy dañados o totalmente agotados, porque pueden estallar y provocar lesiones.

Utilice el cargador de baterías sólo bajo techo.

Desconecte el cargador del suministro eléctrico cuando no esté en uso para evitar daños en caso de que se produzca un pico de tensión.

Cuando la batería está cargada por completo, se puede almacenar de forma segura en temperaturas de hasta -20 °C (-4 °F) durante un período de cuatro semanas antes de que requiera una nueva carga. Cargue el paquete de baterías completamente cada 90 días.

Si transcurrido un tiempo determinado, el paquete de baterías se agota rápidamente después de un período de carga de 60 minutos, es necesario un cambio de batería.

Para prevenir un daño permanente a la batería, nunca la almacene descargada.

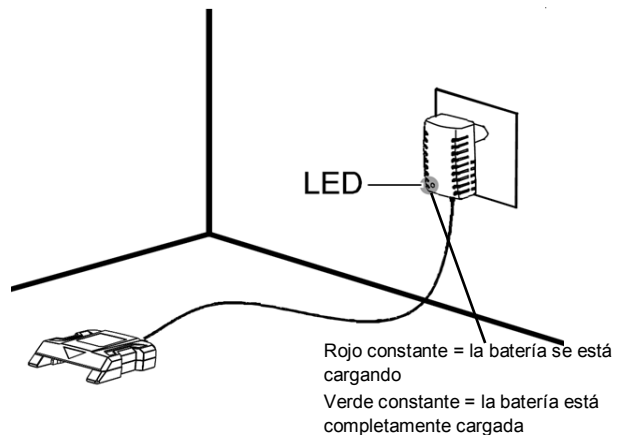
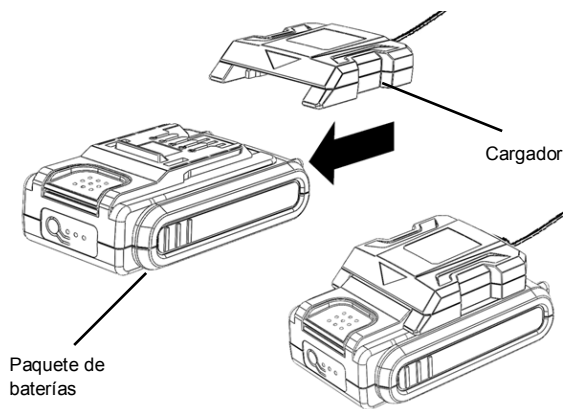
ALMACENAMIENTO EN INVIERNO. Recargue la batería completamente durante 60 minutos antes de guardarla y repita la operación cada 90 días.

Debido a que la batería no tiene ningún efecto memoria, no es necesario que esté totalmente descargada para volver a cargarla.

Es posible que ocurra una pequeña pérdida de líquido de las pilas en condiciones de uso, carga o temperaturas extremas. Esto no indica una falla. No obstante, si el sello externo está roto y el líquido entra en contacto con la piel:

- Lávese con agua y jabón de inmediato.
- Neutralice el efecto con un ácido débil como jugo de limón o vinagre.
- Si el líquido de la batería penetra en los ojos, enjuáguese con agua limpia durante un mínimo de 10 minutos y obtenga asistencia médica inmediata.

PARA CARGAR: VEA EL MANUAL DEL CARGADOR PARA INSTRU COMPLETO



ELIMINACIÓN DE LA BATERÍA

Extraiga el paquete de baterías de la herramienta. Cubra los terminales con una cinta adhesiva resistente. No trate de destruir ni desarmar el paquete de baterías ni de extraer ninguno de sus componentes. Este producto contiene baterías de litio-ion, que se deben reciclar o desechar adecuadamente. Es posible que las leyes locales, estatales o federales prohíban eliminar estas baterías con los desechos comunes.



El sello RBRC que aparece en el paquete de baterías de litio-ion indica que los costos para reciclarlo al término de su vida útil ya han sido pagados por The Great States Corporation/American Lawn Mower Company. Es ilegal arrojar las baterías de litio-ion gastadas en un depósito municipal de residuos sólidos o en la basura. RBRC, en colaboración con The Great States Corporation/American Lawn Mower Company, ofrece una forma fácil y ecológica de reciclar las baterías de litio-ion gastadas. Simplemente comuníquese con un centro de reciclaje local o llame al 1.800.8.BATTERY para obtener información sobre dónde dejar las baterías gastadas.

MANTENIMIENTO

⚠ ANTES DE USAR: Llene el depósito con aceite nuevo de buena calidad para barra formulado y recomendado para motosierras telescópicas.

Si la motosierra se cae, inspeccione cuidadosamente para ver si está dañada. Si la cuchilla está doblada, la caja tiene grietas o los mangos están rotos,

o si detecta cualquier otra condición que pueda afectar el funcionamiento de la motosierra, comuníquese con su centro de servicio autorizado local al 1-800-618-7474 para que se realicen las reparaciones adecuadas antes de volver a usarla.

Extraiga el paquete de baterías de la motosierra y luego utilice únicamente un jabón suave y un paño húmedo para limpiar la herramienta. No permita que entre líquido en el interior de la herramienta ni sumerja ninguna pieza en líquido.

Después de limpiar, aplique una ligera capa de aceite a la cadena y a la barra guía a fin de evitar la corrosión.

⚠ IMPORTANTE: A fin de garantizar la SEGURIDAD y la CONFIABILIDAD, las reparaciones, el mantenimiento y los ajustes deben llevarse a cabo en un centro de servicio técnico autorizado u otra organización calificada, y siempre utilizando repuestos idénticos.

⚠ PRECAUCIÓN: Evite en todo momento que líquidos de frenos, gasolina, productos a base de petróleo, aceites penetrantes, etc. entren en contacto con piezas plásticas. Contienen químicos que pueden dañar, debilitar o destruir el plástico.

Asegúrese de que la funda plástica de las cuchillas esté colocada al guardar la herramienta.

Los fertilizantes y otros productos químicos para el jardín contienen agentes que aceleran la corrosión de los metales en forma considerable. No guarde la herramienta junto a fertilizantes ni productos químicos.

Para lograr un corte uniforme y rápido, la cadena debe tener un mantenimiento adecuado. Es necesario afilar la cadena cuando la madera tiene astillas pequeñas y produce mucho polvo. Se debe aplicar fuerza para que la cadena penetre en la madera durante el corte; de lo contrario, la cadena cortará hacia un costado. Consulte las instrucciones que se detallan anteriormente en este manual para obtener información acerca del afilado correcto de la cadena.

SISTEMA DE LUBRICACIÓN

La cadena se lubrica automáticamente.

Use sólo aceite de cadena nuevo y específicamente formulado para motosierras telescópicas. Nunca aplique aceite usado, de baja calidad o en cantidad insuficiente. Esto podría dañar la bomba, la barra y la cadena y, como consecuencia, provocar lesiones personales de gravedad.

Revise el nivel de aceite antes de cada sesión de trabajo, recargue si hay sólo un cuarto de la capacidad total.

En caso de que el sistema de lubricación no funcione correctamente, compruebe si el filtro y las tuberías de aceite están libres de suciedad y obstrucciones. Si aún así no funciona, comuníquese con el centro de servicio autorizado al 1-800-618-7474.

MANTENIMIENTO DE LA BARRA GUÍA

Cuando la barra guía exhibe signos de desgaste, invírtala en la herramienta para distribuir el desgaste y obtener el máximo de vida útil de la barra. La barra se debe limpiar cada vez que se utilice e inspeccionar para comprobar si se produjo algún daño o desgaste.

El biselado o la aparición de rebabas en los rieles de la barra es parte del proceso normal de desgaste. Estos defectos se deben pulir con una lima apenas aparezcan.

Es recomendable cambiar una barra que presente cualquiera de los siguientes defectos:

- Desgaste en el interior de los rieles, motivo por el cual la cadena se desvía para los costados.
- Barra guía doblada.
- Rieles rotos o agrietados.
- Rieles extendidos.

Además, las barras guía que tienen una rueda dentada en la punta se deben lubricar semanalmente con una jeringa de grasa para prolongar la vida útil de la barra guía. Lubrique una vez por semana con una jeringa de grasa en el orificio de lubricación.

Gire la barra guía y verifique que los orificios de lubricación y la ranura de la cadena estén libres de impurezas.

SOLUCIÓN DE PROBLEMAS

Problema	Posible causa	Posible solución
- La unidad no funciona.	<ul style="list-style-type: none"> - La batería no está instalada correctamente. - La batería no está cargada. - El botón de bloqueo no está accionado completamente. - La batería no hace contacto 	<ul style="list-style-type: none"> - Verifique la instalación de la batería. - Verifique los requisitos de carga de la batería. - Asegúrese de oprimir bien el botón de bloqueo antes de accionar el gatillo. - Verifique que la batería esté bien colocada.
- La barra y la cadena se recalientan y humean	<ul style="list-style-type: none"> - Revise la tensión para comprobar si el ajuste es excesivo. - El tanque de aceite de la cadena está vacío. - La cadena está colocada hacia atrás. 	<ul style="list-style-type: none"> - Regule la tensión de la cadena. - Recargue el tanque con aceite de cadena - Dé vuelta la cadena para que las cuchillas miren en la dirección correcta.
- El motor funciona pero la cadena no gira	<ul style="list-style-type: none"> - La tensión de la cadena está demasiado ajustada. - Verifique que no haya daños en la barra guía y la cadena. 	<ul style="list-style-type: none"> - Regule la tensión de la cadena. - Reemplace la barra y la cadena dañadas con repuestos idénticos.

¡LLÁMENOS PRIMERO!

Si tiene preguntas sobre el funcionamiento o el mantenimiento de su motosierra telescópica al 1.800.618.7474, de 8:00 a 17:00, hora estándar del este, o obtener asistencia en SCOTT.S.AMERICANLAWNMOWER.COM

PIEZAS Y SERVICIO

Para obtener piezas o servicio, llame al 1-800-618-7474 o visítenos en línea e SCOTT.S.AMERICANLAWNMOWER.COM. Asegúrese de proporcionar toda la información relevante cuando llame o visite.

PIEZAS DE REPARACIÓN (KITS / ARTÍCULOS)

El número de modelo / serie de esta herramienta se encuentra en una placa o etiqueta pegada a la carcasa. Registre el número de serie en el espacio que se proporciona a continuación.

NÚMERO DE MODELO **LPS40820S**

NÚMERO DE SERIE _____

Siempre mencione el número de modelo cuando ordene kits / artículos para esta herramienta.

Número	Kit / Número de artículo	Descripción	Cantidad
1	LCS20-SCA-1	Kit de montaje de tapa de rueda dentada	1
2	LCS20-BCK-1	Kit tensor de barra	1
3	LPS20-OTC-1	Kit de montaje de tapón de aceite	1
4	BL82120	Batería de 20 V	1
5	CHL82000	Cargador 20 V	1

¡LLÁMENOS PRIMERO!

Si tiene preguntas sobre el funcionamiento o el mantenimiento de su motosierra telescópica al 1.800.618.7474, de 8:00 a 17:00, hora estándar del este, o obtener asistencia en SCOTT.S.AMERICANLAWNMOWER.COM



MANUAL DEL OPERARIO

MOTOSIERRA A BATERÍA DE 20 VOLTIOS DE LITIO-ION

Copyright. Todos los derechos reservados.

POLÍTICA DE GARANTÍA DE SCOTTS

- **Garantía limitada de 3 años** para todas las herramientas eléctricas de iones de litio de 20V Scotts a partir de la fecha de compra cuando se utilizan para uso personal, doméstico o familiar.
- **Garantía limitada de 1 año** para todas las baterías y cargadores de iones de litio de 20V Scotts a partir de la fecha de compra cuando se utilizan para uso personal, doméstico o familiar.

The Great States Corp. (GSC) garantiza al propietario original que este producto y pieza de servicio Scotts están libres de defectos de materiales y mano de obra y acepta reparar o reemplazar cualquier producto o pieza defectuosa durante el periodo de garantía indicado anteriormente.

- La garantía queda anulada si se utiliza con fines comerciales o industriales o cualquier otro uso inadecuado según lo determine GSC.
- La garantía no incluye las reparaciones necesarias debido al abuso o negligencia del operador (incluyendo la sobrecarga del producto más allá de su capacidad o la inmersión en agua), o la falta de montaje, operación, mantenimiento o almacenamiento del producto de acuerdo con las instrucciones del manual del propietario.
- Esta garantía no cubre
 - ◇ Elementos de desgaste, incluyendo pero no limitado a: correas y engranajes de transmisión, púas, cuchillas de cortadoras, hojas de segadora, cadenas de motosierra, hojas de trituración, ventiladores, cubiertas de carretes, hilo de desbrozadora, tubos de soplador y de vacío, barras guía, mangueras de alta presión, ruedas, manijas, barrenas, bolsas desgastadas, cables de alimentación y otros elementos que se someten a desgaste a lo largo del tiempo.
 - ◇ Desgaste de las baterías, incluyendo pero no limitado a: caídas, desgaste y rotura del cargador, exposición a oscilaciones extremas de temperatura (caliente o fría), batería dejada en el cargador demasiado tiempo, batería dejada sin cargar por demasiado tiempo, y mal uso o abuso de la batería.
- Esta garantía no cubre los daños causados por el frío, el calor, la lluvia, el exceso de humedad u otras condiciones ambientales extremas.
- Esta garantía no cubre el deterioro normal del acabado exterior ni el desgaste normal de los productos, incluidos, entre otros, los arañazos, grietas, abolladuras o daños causados por productos químicos externos.
- Esta garantía no es transferible y sólo se aplica a productos nuevos vendidos directamente por un distribuidor autorizado. Esta garantía no se aplica a ningún producto, nuevo o usado, comprado a través de canales de terceros no autorizados. Para obtener información sobre distribuidores autorizados, comuníquese con nuestra línea de ayuda de asistencia al cliente llamando al 1-800-618-7474 (de lunes a viernes, de 8 a. m. a 5 p. m., hora del este).
- Cualquier pérdida, daño o gasto incidental, indirecto o consecuente que pueda derivarse de cualquier defecto o mal funcionamiento de los productos no está cubierto por la garantía.
- La garantía no incluye la instalación, el montaje o los ajustes normales que se explican en el manual del operador. Los gastos de entrega del producto al vendedor y los gastos de devolución del producto o de las piezas de recambio al propietario no están cubiertos por la garantía.

Limitaciones adicionales de la garantía

Algunos estados no permiten la exclusión o limitación respecto de la duración de una garantía implícita; por lo tanto, es posible que las limitaciones enunciadas anteriormente no le correspondan. Los productos vendidos con averías o incompletos, vendidos en las condiciones que se encuentren, o vendidos como reacondicionados no están cubiertos por la garantía.

Daños ni inconvenientes causados por envío, manipulación inadecuada, instalación incorrecta, voltaje incorrecto, cableado incorrecto, mantenimiento deficiente, modificaciones inadecuadas o el uso de accesorios o dispositivos de sujeción no recomendados específicamente no están cubiertos por la garantía.

Todos los reclamos de garantía deben estar acompañados de un comprobante de compra, recibo de compra original con fecha. Para reclamos vaya a scotts.americanlawnmower.com o llame a nuestra línea de ayuda de asistencia al cliente al 1-800-618-7474 de lunes a viernes, de 8 a. m. a 5 p. m., hora del este.



American Lawn Mower Company
The Great States Corporation
7444 Shadeland Station Way
Indianapolis, IN 46256
Estados Unidos
Teléfono 1-800-618-7474
scotts.americanlawnmower.com



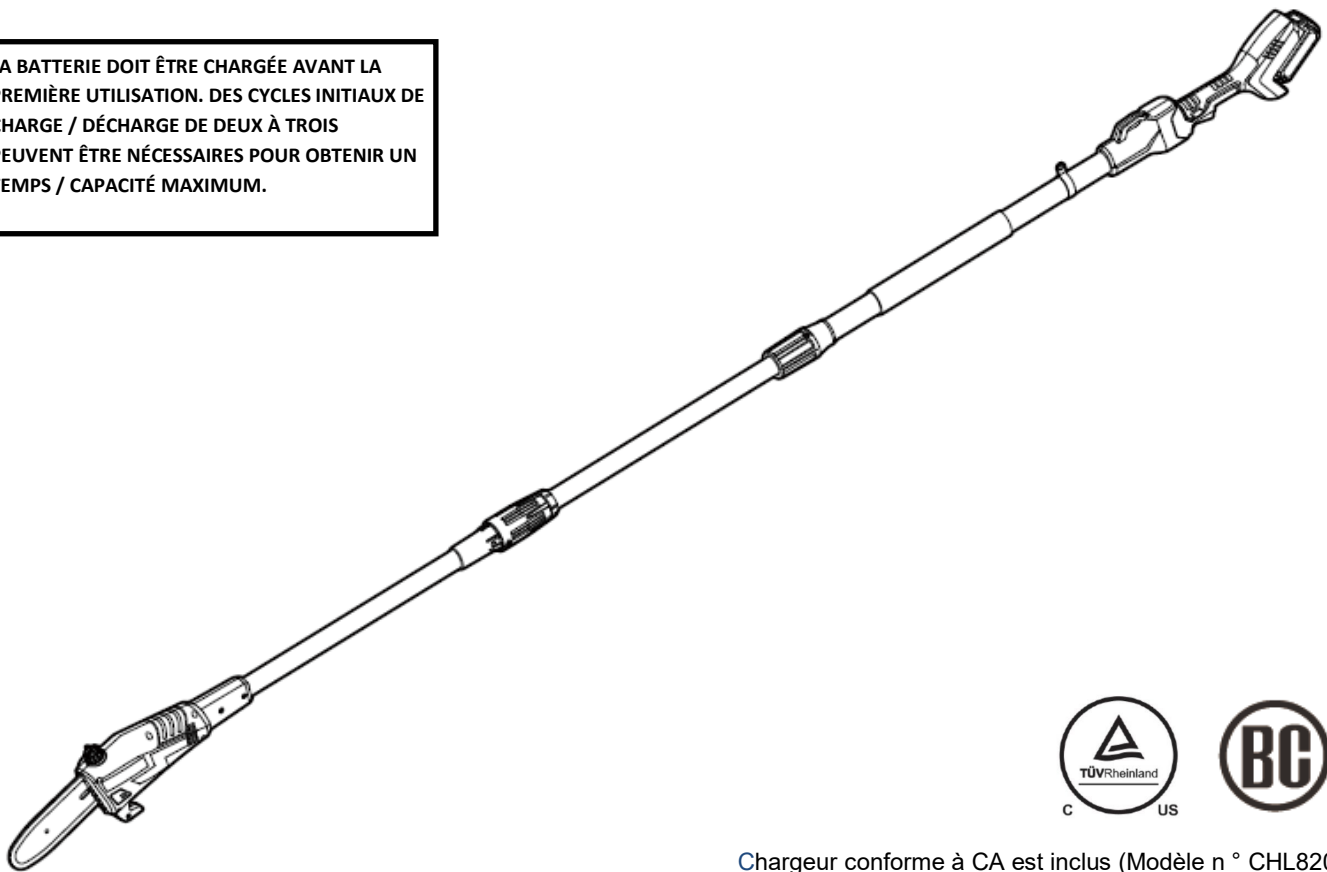
MANUEL DE L'UTILISATEUR

SCIE À LONG MANCHE 20 V SANS FIL

Copyright. Tous droits réservés.

Modèle LPS40820S

LA BATTERIE DOIT ÊTRE CHARGÉE AVANT LA PREMIÈRE UTILISATION. DES CYCLES INITIAUX DE CHARGE / DÉCHARGE DE DEUX À TROIS PEUVENT ÊTRE NÉCESSAIRES POUR OBTENIR UN TEMPS / CAPACITÉ MAXIMUM.



Chargeur conforme à CA est inclus (Modèle n ° CHL82000)

Ce produit a été conçu et fabriqué selon nos normes élevées de fiabilité, de facilité d'utilisation et de sécurité de l'utilisateur. Correctement entretenu, il vous procurera des années de service intensif et sans souci.

AVERTISSEMENT : afin d'éviter de se blesser, l'utilisateur doit lire et comprendre le manuel de l'utilisateur avant d'utiliser ce produit.

AJOUTER LE RÉSERVOIR D'HUILE À L'HUILE AVANT LA PREMIÈRE UTILISATION

Merci pour votre achat.

NE RENVOYEZ PAS CE PRODUIT AU MAGASIN. AVEZ-VOUS DES QUESTIONS CONCERNANT LE FONCTIONNEMENT, L'ASSEMBLAGE, LES PIÈCES OU LA RÉPARATION DU PRODUIT? ALLEZ SUR SCOTTS.AMERICANLAWNMOWER.COM OU COMPOSEZ LE 1-800-618-7474 DE 8 h 00 à 17 h 00, HNE, POUR TOUTE ASSISTANCE.

CONSERVEZ CE MANUEL POUR POUVOIR LE CONSULTER ULTÉRIEUREMENT



AVERTISSEMENTS DE SÉCURITÉ IMPORTANTS



POUR RÉDUIRE LE RISQUE DE BLESSURE :

avant toute utilisation, assurez-vous que toute personne utilisant cet outil a lu et compris toutes les consignes de sécurité et les autres renseignements contenus dans ce manuel.

- ATTENTION** : portez des protections auditives appropriées pendant l'utilisation. Dans certaines conditions, ou en cas d'utilisation prolongée, le bruit émis par ce produit peut contribuer à une perte auditive.

Conservez ces instructions et relisez-les souvent avant d'utiliser le produit et lorsque vous apprenez son emploi à d'autres personnes.

- AVERTISSEMENT** : lors de l'utilisation d'outils électriques de jardinage, les consignes de sécurité de base doivent toujours être suivies afin d'éviter les incendies, décharges électriques et blessures.

LIRE TOUTES LES INSTRUCTIONS

AVERTISSEMENTS GÉNÉRAUX DE SÉCURITÉ POUR LES OUTILS ÉLECTRIQUES

- AVERTISSEMENT**: Lisez tous les avertissements et instructions de sécurité. Le non-respect des avertissements et des instructions peut entraîner un choc électrique, un incendie et / ou des blessures graves. **Conservez tous les avertissements et instructions pour référence future.** Le terme «outil électrique» dans les avertissements fait référence à votre outil électrique fonctionnant sur secteur (filaire) ou sur batterie (sans fil).

Sécurité de la zone de travail

- **Gardez la zone de travail propre et bien éclairée.** Les zones encombrées ou sombres invitent aux accidents.
- **N'utilisez pas d'outils électriques dans des atmosphères explosives, par exemple en présence de liquides, gaz ou poussières inflammables.** Les outils électriques créent des étincelles qui peuvent enflammer la poussière ou les fumées.
- **Éloignez les enfants et les personnes présentes lorsque vous utilisez un outil électrique.** Les distractions peuvent vous faire perdre le contrôle.

Sécurité électrique

- **Les fiches des outils électriques doivent correspondre à la prise. Ne modifiez jamais la fiche d'aucune façon.** N'utilisez aucune fiche d'adaptateur avec des outils électriques mis à la terre (mis à la terre). Les fiches non modifiées et les prises correspondantes réduiront le risque de choc électrique.
- **Évitez tout contact corporel avec des surfaces mises à la terre ou mises à la terre telles que des tuyaux, des radiateurs, des cuisinières et des réfrigérateurs.** Il y a un risque accru de choc électrique si votre corps est mis à la terre ou mis à la terre.
- **N'exposez pas les outils électriques à la pluie ou à des conditions humides.** L'eau entrant dans un outil électrique augmentera le risque de choc électrique.
- **N'abusez pas le cordon. N'utilisez jamais le cordon pour transporter, tirer ou débrancher l'outil électrique.** Tenez le cordon à l'écart de la chaleur, de l'huile, des arêtes vives ou des pièces mobiles. Des cordons endommagés ou emmêlés augmentent le risque de choc électrique.
- **Lorsque vous utilisez un outil électrique à l'extérieur, utilisez une rallonge adaptée à une utilisation en extérieur.** L'utilisation d'un cordon adapté à une utilisation en extérieur réduit le risque de choc électrique.
- **Si l'utilisation d'un outil électrique dans un endroit humide est inévitable, utilisez une alimentation protégée par un disjoncteur de fuite à la terre (GFCI).** L'utilisation d'un GFCI réduit le risque de choc électrique.

Sécurité personnelle

- **Restez vigilant, regardez ce que vous faites et faites preuve de bon sens lorsque vous utilisez un outil électrique.** N'utilisez pas d'outil électrique lorsque vous êtes fatigué ou sous l'influence de drogues, d'alcool ou de médicaments. Un moment d'inattention lors de l'utilisation d'outils électriques peut entraîner des blessures graves.
- **Utilisez un équipement de protection individuelle. Portez toujours des lunettes de protection.** L'équipement de protection tel qu'un masque anti-poussière, des chaussures de sécurité antidérapantes, un casque ou une protection auditive utilisé dans des conditions appropriées réduira les blessures.
- **Empêchez tout démarrage involontaire. Assurez-vous que l'interrupteur est en position d'arrêt avant de le connecter à la source d'alimentation et / ou à la batterie, de ramasser ou de transporter l'outil.** Le transport d'outils électriques avec le doigt sur l'interrupteur ou la mise sous tension d'outils électriques dont l'interrupteur est allumé peut provoquer des accidents.
- **Retirez toute clé ou clé de réglage avant d'allumer l'outil électrique.** Une clé ou une clé laissée attachée à une partie rotative de l'outil électrique peut entraîner des blessures.
- **N'exagérez pas. Gardez une bonne assise et un bon équilibre à tout moment.** Cela permet un meilleur contrôle de l'outil électrique dans des situations inattendues.
- **Habillez-vous correctement. Ne portez pas de vêtements amples ni de bijoux.** Gardez vos cheveux, vos vêtements et vos gants à l'écart des pièces mobiles. Des vêtements amples, des bijoux ou des cheveux longs peuvent être pris dans les pièces mobiles.
- Si des dispositifs sont fournis pour le raccordement des installations d'extraction et de collecte des poussières,

Utilisation et entretien des outils électriques

- **Ne forcez pas l'outil électrique. Utilisez l'outil électrique approprié à votre application.** L'outil électrique correct fera le travail mieux et plus sûr à la vitesse pour laquelle il a été conçu.
- **N'utilisez pas l'outil électrique si l'interrupteur ne le met pas sous et hors tension.** Tout outil électrique qui ne peut pas être contrôlé avec l'interrupteur est dangereux et doit être réparé.



AVERTISSEMENTS GÉNÉRAUX DE SÉCURITÉ POUR LES OUTILS ÉLECTRIQUES



- **Débranchez la fiche de la source d'alimentation et / ou la batterie de l'outil électrique avant d'effectuer des réglages, de changer d'accessoires ou de ranger des outils électriques.** Ces mesures de sécurité préventives réduisent le risque de démarrage accidentel de l'outil électrique.
 - **Rangez les outils électriques inutilisés hors de la portée des enfants et ne laissez pas des personnes non familiarisées avec l'outil électrique ou ces instructions utiliser l'outil électrique.** Les outils électriques sont dangereux entre les mains d'utilisateurs inexpérimentés.
 - **Entretenez les outils électriques.** Vérifiez le désalignement ou le coincement des pièces mobiles, la rupture des pièces et toute autre condition pouvant affecter le fonctionnement de l'outil électrique. S'il est endommagé, faites réparer l'outil électrique avant de l'utiliser. De nombreux accidents sont causés par des outils électriques mal entretenus.
 - **Gardez les outils de coupe affûtés et propres.** Les outils de coupe correctement entretenus avec des arêtes coupantes tranchantes sont moins susceptibles de se lier et sont plus faciles à contrôler.
 - **Utilisez l'outil électrique, les accessoires et les outils, etc.** conformément à ces instructions, en tenant compte des conditions de travail et du travail à effectuer. L'utilisation de l'outil électrique pour des opérations différentes de celles prévues pourrait entraîner une situation dangereuse.
- Utilisation et entretien des outils à batterie**
- Rechargez uniquement avec le chargeur spécifié par le fabricant. Un chargeur adapté à un type de batterie peut créer un risque d'incendie lorsqu'il est utilisé avec une autre batterie.
 - **Utilisez des outils électriques uniquement avec des blocs-piles spécifiquement désignés.** L'utilisation de tout autre bloc-batterie peut créer un risque de blessure et d'incendie.
 - **Lorsque la batterie n'est pas utilisée, éloignez-la des autres objets métalliques, tels que des trombones, des pièces de monnaie, des clés, des clous, des vis ou d'autres petits objets métalliques, qui peuvent établir une connexion d'une borne à une autre.** Un court-circuit entre les bornes de la batterie peut provoquer des brûlures ou un incendie.
 - **Dans des conditions abusives, du liquide peut être éjecté de la batterie;** éviter tout contact. En cas de contact accidentel, rincer à l'eau. Si du liquide entre en contact avec les yeux, consultez un médecin. Le liquide éjecté de la batterie peut provoquer des irritations ou des brûlures.

Un service

- **Faites réparer votre outil électrique par un réparateur qualifié utilisant uniquement des pièces de rechange identiques.** Cela garantira le maintien de la sécurité de l'outil électrique.
- **Lors de l'entretien d'un outil électrique, utilisez uniquement des pièces de rechange identiques.** Suivez les instructions de la section Maintenance de ce manuel. L'utilisation de pièces non autorisées ou le non-respect des instructions d'entretien peut créer un risque de choc ou de blessure.

SECURITE GENERALE

ÉVITEZ LES ENVIRONNEMENTS DANGEREUX -

N'utilisez pas la scie à perche dans des endroits pluvieux, humides ou mouillés. N'utilisez pas la scie à perche dans des atmosphères gazeuses ou explosives. Les moteurs de ces outils produisent normalement des étincelles et les étincelles peuvent enflammer les fumées.

S'HABILLER CORRECTEMENT - Ne portez pas de vêtements amples ni de bijoux. Porter un couvre-cheveux protecteur pour contenir les cheveux longs. Ils peuvent être pris dans les pièces mobiles. L'utilisation de gants en caoutchouc et de chaussures solides est recommandée lorsque vous travaillez à l'extérieur.

UTILISEZ DES LUNETTES DE SÉCURITÉ - Portez des lunettes de sécurité avec des protections latérales ou des lunettes qui sont marquées pour être conformes à la norme ANSI Z87.1 lorsque vous utilisez ce produit. Utilisez un masque facial ou anti-poussière si l'environnement est poussiéreux.

⚠ DANGER: Risque de coupure. Gardez les mains loin de la chaîne. Gardez les deux mains sur le poteau et la poignée lorsque l'appareil est sous tension.

UTILISEZ L'APPAREIL APPROPRIÉ - N'utilisez pas l'appareil pour un travail autre que celui auquel il est destiné.

UTILISEZ UNE PROTECTION DE LA TÊTE ET DU VISAGE: Portez un casque de sécurité avec un écran facial complet qui répond aux normes ANSI Z89.1 ou aux normes CE lorsque vous utilisez la scie à perche.

⚠ ATTENTION: ne vous tenez jamais sous le membre à couper. Positionnez-vous à l'écart des débris qui tombent.

RETIRER LA BATTERIE DE LA SCIE À POTEAU lorsqu'elle n'est pas utilisée ou lors de l'entretien ou du nettoyage. Ne laissez pas sans surveillance.

ÉVITEZ LES DÉMARRAGES INUTILES - Ne transportez pas la scie à perche avec le doigt sur l'interrupteur, assurez-vous que l'interrupteur est éteint lors de l'installation de la batterie.

⚠ ATTENTION: Ne transportez jamais la scie à perche d'une seule main, cela pourrait déséquilibrer la scie et provoquer des dommages. Le non-respect de cet avertissement peut entraîner des blessures graves.

GARDER LES ENFANTS À L'ÉCART: Tous les visiteurs, enfants et animaux domestiques doivent rester à une distance de sécurité de la zone de travail.

ENTREPOSER LA SCIE À PÔLE AU RALENTI À

L'INTÉRIEUR: Lorsqu'elle n'est pas utilisée, la scie à perche doit être entreposée à l'intérieur dans un endroit sec et haut ou fermé à clé, hors de portée des enfants.

NE TENTEZ PAS d'enlever le matériau coupé ou de maintenir le matériau à couper lorsque la scie à perche est allumée et que la chaîne se déplace. Assurez-vous que l'interrupteur est éteint lorsque vous retirez le matériau coincé de la chaîne. Ne saisissez pas les bords coupants exposés lorsque vous soulevez ou tenez la scie. Gardez toutes les parties du corps éloignées de la chaîne de scie.

MISE EN GARDE: la chaîne côtoie après l'arrêt de la scie à perche.

⚠ AVERTISSEMENT: pour vous protéger de l'électrocution, maintenez une distance minimale de 15 m (50 pi) par rapport aux câbles électriques aériens.

NE FORCEZ PAS LA SCIE À POTEAU — Elle fera le travail mieux et avec moins de risque de blessure au rythme pour lequel elle a été conçue.



GENERAL SAFETY



RESTEZ ALERTE: regardez ce que vous faites. Utilisez le bon sens. N'utilisez pas la scie à perche lorsque vous êtes fatigué ou sous l'influence de médicaments, de drogues ou d'alcool.

⚠ DANGER: Si la chaîne se bloque sur un cordon ou une ligne électrique. **NE TOUCHEZ PAS LE BAR ET LA CHAÎNE! ILS PEUVENT DEVENIR ÉLECTRIQUEMENT VIVANTS ET TRÈS DANGEREUX.** Libérez l'unité de la manière la plus sûre possible. Débranchez le cordon ou la ligne électrique endommagé de la source d'alimentation. Si possible, faites-le en toute sécurité. En cas de doute, appelez un électricien ou un électricien pour obtenir de l'aide. Le non-respect de ce danger entraînera des blessures graves et même la mort.

ÉCLAIRAGE: N'utilisez la scie qu'à la lumière du jour ou sous une bonne lumière artificielle.

NE PAS ATTEINDRE: Gardez une bonne assise et un bon équilibre en tout temps.

Assurez-vous que la source d'alimentation est retirée lorsque vous retirez le matériau coincé de la chaîne.

VÉRIFIEZ LES PIÈCES ENDOMMAGÉES: Avant de continuer à utiliser la scie à perche, toute pièce endommagée doit être soigneusement vérifiée afin de déterminer si elle fonctionnera correctement et remplira sa fonction prévue. Vérifiez l'alignement des pièces mobiles, le blocage des pièces mobiles, la rupture des pièces, le montage et toute autre condition pouvant affecter son fonctionnement. Toute pièce endommagée doit être correctement réparée ou remplacée. Appelez notre service d'assistance à la clientèle au 1-800-618-7474 pour obtenir de l'aide.

Portez toujours des bouchons d'oreille ou des silencieux pour protéger votre audition. Les utilisateurs réguliers doivent faire contrôler régulièrement leur audition car le bruit de la scie à chaîne peut endommager l'audition.

ENTREtenir LA SCIE AVEC SOIN: Gardez les couteaux affûtés et propres pour de meilleures performances et pour réduire le risque de blessure. Gardez le poteau et la poignée au sec, à l'abri de l'huile et de la graisse.

⚠ AVERTISSEMENT: Proposition 65 de la Californie - Ce produit contient des produits chimiques reconnus par l'État de Californie comme pouvant causer le cancer, des malformations congénitales ou d'autres troubles de la reproduction.

⚠ AVERTISSEMENT: certaines poussières et débris créés par l'utilisation de cet outil peuvent contenir des produits chimiques reconnus par l'État de Californie comme pouvant causer le cancer et des malformations congénitales ou d'autres troubles de la reproduction. Voici quelques exemples de ces produits chimiques:

- * Produits chimiques dans les engrais
- * Composés dans les insecticides, herbicides et pesticides
- * Arsenic et chrome provenant de bois traité chimiquement

Votre risque d'exposition à ces produits chimiques varie en fonction de la fréquence à laquelle vous effectuez ce type de travail. Pour réduire votre exposition, travaillez dans un endroit bien ventilé et avec un équipement de sécurité approuvé, comme des masques à poussière spécialement conçus pour filtrer les particules microscopiques.

⚠ AVERTISSEMENT: Cancer et troubles de la reproduction - www.P65Warnings.ca.gov.

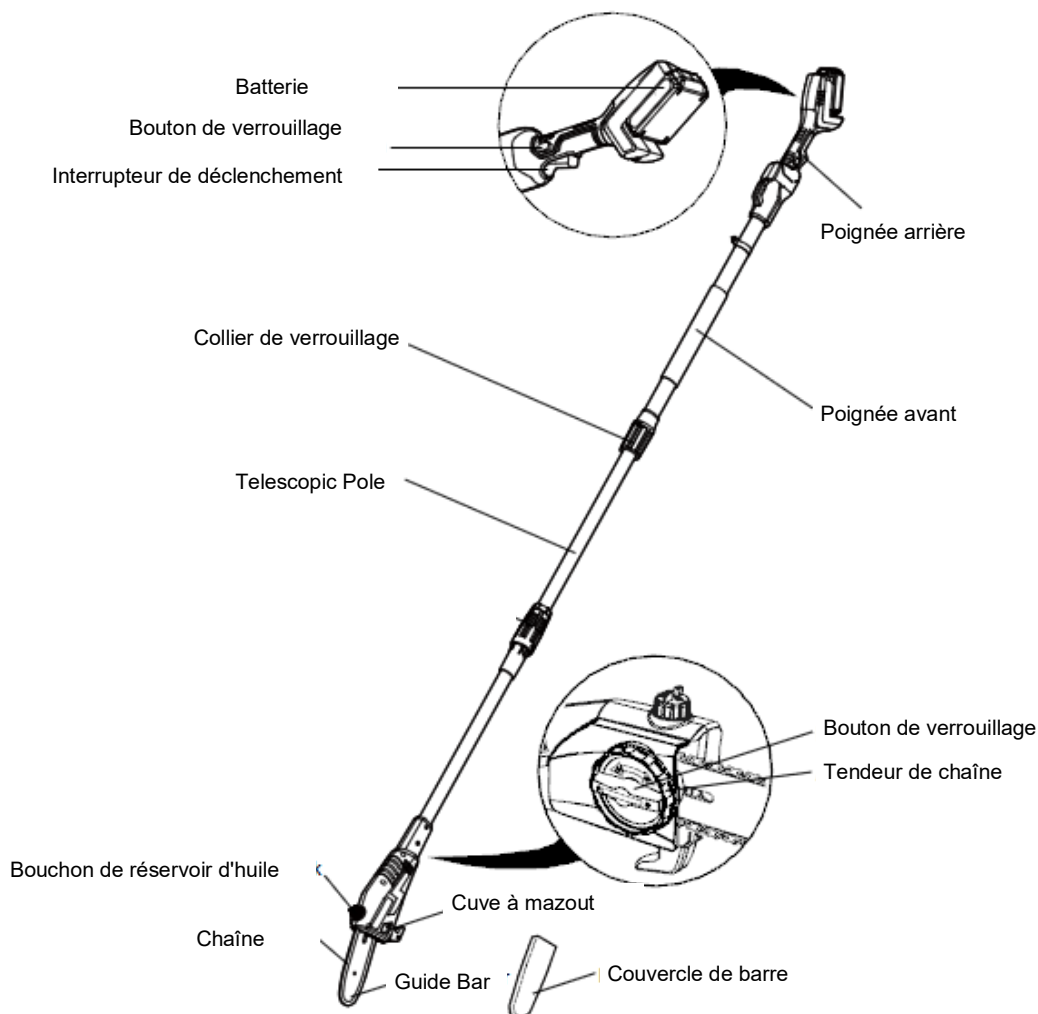
⚠ PRÉCAUTION: utilisez uniquement les piles de type et de taille suivantes: BL82120.

POSTE DE TRAVAIL

CARACTÉRISTIQUES TECHNIQUES DU PRODUIT

LPS40820S

Entrée.....	20V / 2.0Ah, CC uniquement
Longueur de barre.....	Barre de 20.3cm (8 po) (M1430833-1041TL)
Poids.....	3,9kg (8,6 lb)
Longueur totale déployée	2,83m (9 pi 4 po)
Capacité d'huile	75 ml



ASSEMBLAGE

DÉBALLAGE

Ce produit requiert un assemblage.

Enlevez avec précaution le produit et les accessoires du carton.

Assurez-vous que tous les éléments figurant dans la liste du contenu sont inclus.

Inspectez soigneusement le produit pour vous assurer que rien n'a été cassé ou endommagé pendant le transport.

Ne jetez pas le matériau d'emballage tant que vous n'avez pas soigneusement inspecté et utilisé le produit de façon satisfaisante.

LISTE DU CONTENU

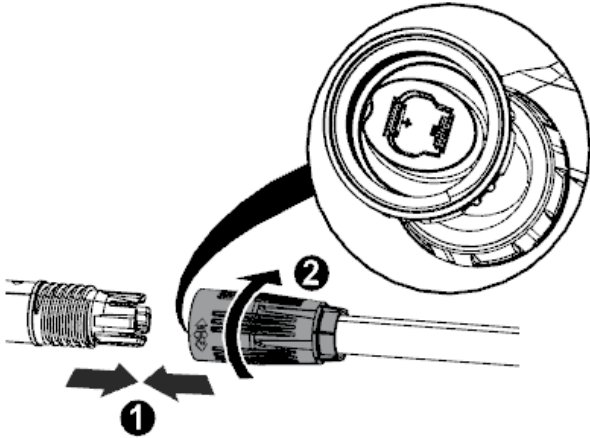
- Tête de scie à perche
- Perche télescopique
- batterie et chargeur
- guide-chaîne et chaîne
- étui de protection de la chaîne
- courroie d'épaule
- manuel d'instructions

ASSEMBLÉ

Assemblage de poteau:

Branchez la section supérieure dans la section inférieure.

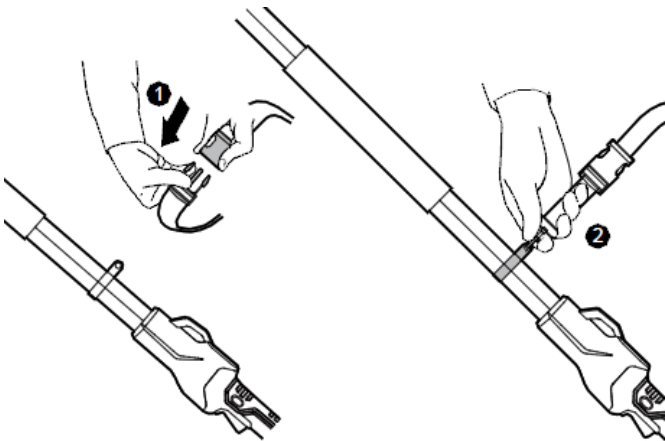
Tirez le collier de verrouillage vers le bas sur la connexion et tournez dans le sens des aiguilles d'une montre pour fixer les deux pièces ensemble.



REMARQUE: notez les marquages de polarité des contacts.

FIXATION DE LA SANGLE D'ÉPAULE

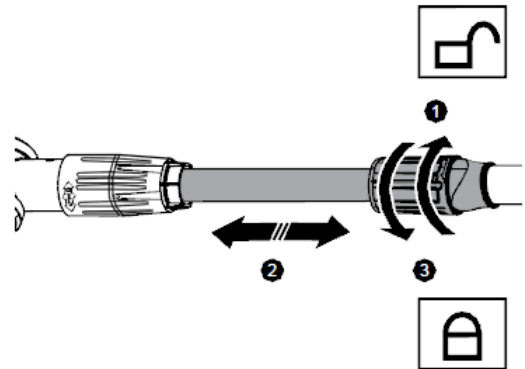
Engagez la fermeture de la sangle (1). Suspendez la bandoulière dans l'accessoire (2).



ADJUSTING LENGTH OF TELESCOPIC POLE

Retirez la batterie de la scie à perche.

- Relâchez le collier de verrouillage du mât télescopique.
- Séparez le mât télescopique jusqu'à ce que la hauteur de travail requise soit atteinte.
- Serrez complètement le collier de verrouillage.



Remarque: N'étendez le poteau qu'à la longueur requise pour atteindre le membre à couper. N'étendez pas la poignée au-dessus de la taille.

REMARQUE: Ajustez le placement de la main sur l'arbre de la scie à perche pour maintenir un bon équilibre.

N'essayez pas d'utiliser la scie à perche à une longueur qui ne vous permet pas de maintenir une bonne assise et un bon équilibre en tout temps.

- ⚠ **AVERTISSEMENT:** si des pièces sont endommagées ou manquantes, n'utilisez pas ce produit tant que les pièces n'ont pas été remplacées. Le non-respect de cet avertissement peut entraîner des blessures graves. Composez le 1-800-618-7474 pour obtenir de l'aide.
- ⚠ **AVERTISSEMENT:** Ne pas verrouiller la pince de poteau télescopique comme indiqué peut entraîner des blessures.

INSTALLATION / REMPLACEMENT DE LA BARRE DE GUIDAGE ET DE LA CHAÎNE

- ⚠ **DANGER:** Ne démarrez jamais le moteur avant d'installer le guide-chaîne, la chaîne, le couvercle de chaîne et le bouton de verrouillage du couvercle de chaîne. Sans toutes ces pièces en place, l'embrayage peut s'envoler ou exploser, exposant l'utilisateur à de possibles blessures graves.
- ⚠ **AVERTISSEMENT:** Pour éviter des blessures graves, lisez et comprenez toutes les instructions de sécurité fournies.
- ⚠ **AVERTISSEMENT:** Avant d'effectuer tout entretien, assurez-vous que la batterie a été retirée, le non-respect de cet avertissement pourrait entraîner des blessures graves.

- ⚠ **MISE EN GARDE:** Portez toujours des gants lorsque vous manipulez la barre et la chaîne; ces composants sont tranchants et peuvent contenir des bavures.
- ⚠ **AVERTISSEMENT:** Ne touchez ou ne réglez jamais la chaîne lorsque le moteur tourne. La chaîne de scie est très coupante; Portez toujours des gants de protection lors de l'entretien de la chaîne pour éviter d'éventuelles lacérations graves.
- ⚠ **REMARQUE:** Lors du remplacement du guide-chaîne et de la chaîne, utilisez uniquement des pièces de rechange identiques.

INSTALLATION / REMPLACEMENT DE LA BARRE DE GUIDAGE ET DE LA CHAÎNE

- Retirez la batterie de la scie à perche.
- Desserrez le bouton de verrouillage (Fig.1 ①) en tournant dans le sens antihoraire.
- Retirez le couvercle de chaîne (Fig.1 ②).
- Positionnez la barre avec le trou longitudinal sur le boulon fileté (Fig.1 ③).

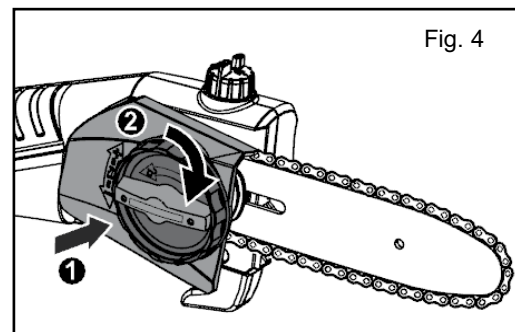
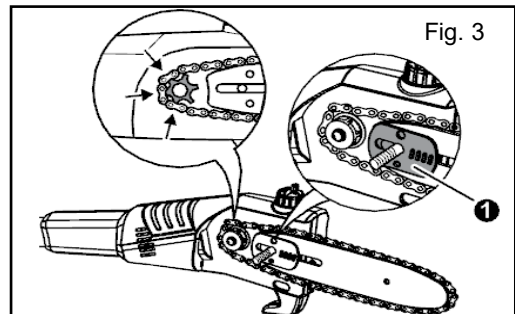
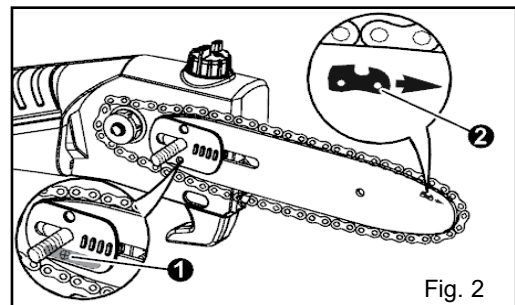
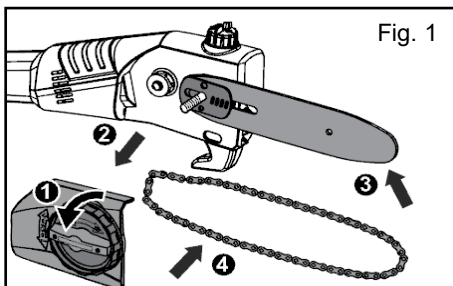
REMARQUE: Assurez-vous que la plaque de tension de chaîne pointe vers l'avant (Fig. 3 ①).

REMARQUE: Vérifiez le bon positionnement de la vis de guidage à l'arrière de la barre dans la rainure de guidage (Fig. 2 ①).

- Poussez la barre aussi près que possible du pignon.
- Placez la chaîne autour de la barre et du pignon d'entraînement (Fig. 1).

REMARQUE: Assurez-vous que la chaîne se déplace dans le bon sens (Fig. 2 ②).

- Vérifiez la position de la barre et de la chaîne sur l'outil (Fig. 3).
- Positionnez le couvercle (Fig. 4①) et serrez-le avec le bouton de verrouillage (Fig. 4②).



TENDRE LA CHAÎNE

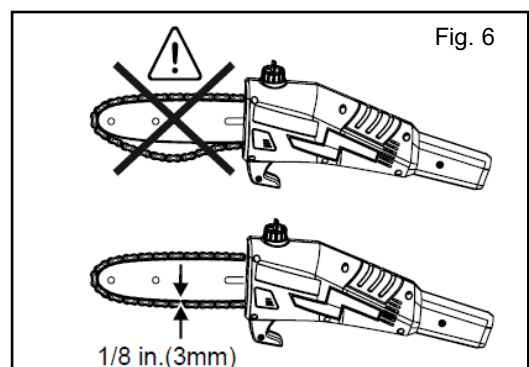
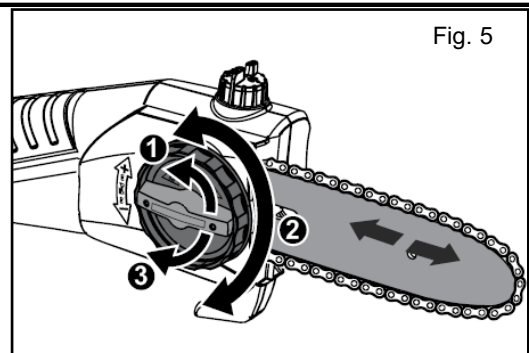
⚠ AVERTISSEMENT: retirez toujours la batterie du produit lorsque vous assemblez des pièces, effectuez des réglages, nettoyez ou lorsque le produit n'est pas utilisé. Portez des gants de sécurité avant tout travail sur la chaîne.

REMARQUE: La chaîne de coupe ne doit pas s'affaisser, cependant, il devrait être possible de la tirer à environ 1/8 po (3 mm) de la barre (Fig. 6).

- Dévisser suffisamment le bouton de verrouillage (Fig. 5 ①) pour permettre la rotation du tendeur de chaîne (Fig. 5 ②).
- Tournez le tendeur de chaîne dans le sens horaire pour tendre la chaîne ou dans le sens antihoraire pour la détendre.
- Tournez manuellement la chaîne pour vérifier le bon fonctionnement.
- Resserrez le bouton de verrouillage (Fig.5 ③).

REMARQUE: Pendant le rodage d'une nouvelle chaîne, elle doit être retendue après pas plus de coupes.

REMARQUE: Ne tendez pas trop la chaîne car cela entraînerait une usure excessive et réduirait la durée de vie de la barre et de la chaîne. La surtension réduit également la quantité de coupes que vous obtiendrez par charge de batterie.

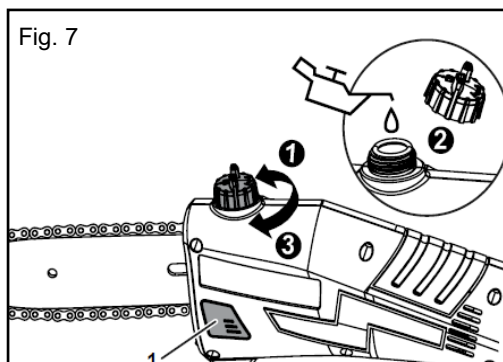


REPLISSAGE D'HUILE DE CHAÎNE DE COUPE

- ⚠ **AVERTISSEMENT:** retirez toujours la batterie du produit lorsque vous assemblez des pièces, effectuez des réglages, nettoyez ou lorsque le produit n'est pas utilisé.
- ⚠ **AVERTISSEMENT:** l'utilisation d'huile usagée peut endommager la pompe à huile, la barre et la chaîne! N'utilisez jamais d'huile ancienne pour lubrifier la chaîne.
- ⚠ **AVERTISSEMENT:** ne fumez pas et n'amenez pas de feu ou de flamme près de l'huile ou de la scie à perche. L'huile peut se renverser et provoquer un incendie.
- ⚠ **ATTENTION:** L'huile de chaîne est libérée dans l'environnement pendant le fonctionnement, par conséquent, une huile végétale biodégradable spéciale doit être utilisée comme huile de chaîne.
- ⚠ **ATTENTION:** utilisez l'outil uniquement avec suffisamment d'huile pour chaîne. Vérifiez le volume d'huile via l'indicateur de niveau d'huile.
- ⚠ **ATTENTION:** Veillez à ne pas renverser d'huile et essuyez immédiatement toute huile renversée pour éviter tout risque de glissement.
 - Dévissez lentement le bouchon du réservoir, retirez-le et conservez-le (Fig 7 ①).
 - Remplissez soigneusement d'huile de lubrification de chaîne jusqu'à environ 0,4 " (10 mm) sous le bord inférieur du remplisseur (Fig 7 ②).

- Remettez le bouchon du réservoir en place et vissez-le à fond (Fig 7 ③).

- ⚠ **REMARQUE:** Vérifiez et remplissez le réservoir d'huile toutes les 15 minutes de fonctionnement. Le niveau d'huile est visible sur l'indicateur de niveau d'huile. Assurez-vous qu'aucune saleté ne pénètre dans le réservoir d'huile.



EN FONCTIONNEMENT

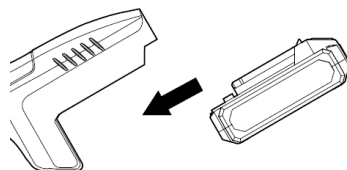
POUR INSTALLER / RETIRER LA BATTERIE

CHARGEZ ENTIÈREMENT AVANT LA PREMIÈRE UTILISATION.

- ⚠ **AVERTISSEMENT:** retirez toujours la batterie du produit lorsque vous assemblez des pièces, effectuez des réglages, nettoyez ou lorsque vous ne les utilisez pas. Le retrait de la batterie empêchera un démarrage accidentel pouvant entraîner des blessures graves.

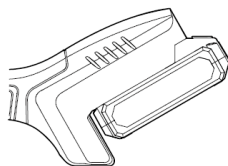
POUR INSTALLER (Fig.8)

Alignez les nervures de la batterie avec les fentes de montage dans le port de batterie de la scie à poteau. Insérez la batterie jusqu'à ce qu'elle s'enclenche.



POUR ENLEVER (Fig.9)

Appuyez sur le bouton de libération de la batterie; la batterie se dégagera du loquet. Retirez la batterie de la scie à perche.



Avant de démarrer l'unité, assurez-vous que la scie à perche ne touche aucun objet.

POUR ALLUMER L'OUTIL

Appuyez sur le bouton de verrouillage avec votre pouce, puis appuyez sur la gâchette avec vos doigts. (Une fois l'outil en marche, vous pouvez relâcher le bouton de verrouillage). Pour éteindre l'outil, relâchez la gâchette.

- ⚠ **AVERTISSEMENT:** pour éviter les blessures, respectez les consignes suivantes: Lisez le manuel d'instructions avant utilisation, conservez le manuel d'instructions. Gardez les mains loin de la chaîne. Gardez les mains sur les poignées. N'exagérez pas.

Une bonne prise ferme sur la scie à perche à deux mains vous aidera à garder le contrôle. Saisissez la poignée arrière avec votre main droite, que vous soyez droitier ou gaucher. Enroulez les doigts de votre main gauche sur et autour de la tige du poteau. Une prise ferme ainsi qu'une poignée de positionnement contre votre corps vous aideront à garder le contrôle de la scie. Ne lâchez pas. N'utilisez pas la scie à perche dans un arbre, sur une échelle ou sur un échafaudage; c'est extrêmement dangereux.

Soyez extrêmement prudent lorsque vous coupez une brosse de petite taille, des gaules ou des membres sous tension, car un matériau mince et tendu peut attraper la scie et être fouetté vers vous, vous déséquilibrer ou rebondir.

Ne pas utiliser de vignes coupées à la perche et / ou de petits sous-bois.

- ⚠ **AVERTISSEMENT:** ne laissez pas la familiarité avec ce type d'outil vous rendre imprudent. N'oubliez pas qu'une fraction de seconde imprudente suffit pour infliger des blessures graves.
- ⚠ **AVERTISSEMENT:** ne coupez pas d'arbres près des fils électriques ou des bâtiments.

Position de coupe appropriée

Le poids doit être équilibré avec les deux pieds sur un sol solide. Gardez le bras gauche avec le coude verrouillé en position « bras droit » pour résister à toute force de rebond. Votre main droite doit saisir la poignée et positionnée fermement contre votre corps pour un soutien supplémentaire.

Votre corps doit toujours être à gauche de la chaîne.

- ⚠ **ATTENTION:** Le fait de ne pas lubrifier la chaîne endommagera la barre et la chaîne. Utilisez uniquement une huile de barre et de chaîne de bonne qualité ou, si elle n'est pas disponible, de l'huile moteur SAE 30 non utilisée peut être remplacée. Une minute d'utilisation consommera environ 0,15 fl. oz. (5 ml) d'huile.

REMARQUE: Il est normal que l'huile suinte de la scie à perche lorsqu'elle n'est pas utilisée. Pour éviter les infiltrations, videz le réservoir d'huile après chaque utilisation. Lors du stockage de l'unité pendant une longue période (3 mois ou plus), assurez-vous que la chaîne est légèrement lubrifiée; cela empêchera la rouille sur la chaîne et le pignon de barre.

- ⚠ **AVERTISSEMENT:** n'utilisez pas la scie à perche avec tout type d'accessoire ou de fixation. Une telle utilisation peut être dangereuse.
 - ⚠ **AVERTISSEMENT:** Tenez l'élagueuse à portée étendue uniquement par des surfaces de préhension isolées, car la chaîne de la scie peut entrer en contact avec des fils cachés ou son propre cordon. Une chaîne de scie entrant en contact avec un fil "sous tension" peut rendre "sous tension" les parties métalliques exposées du sécateur à longue portée et pourrait provoquer un choc électrique pour l'opérateur.
- Pour réduire le risque d'électrocution, ne jamais utiliser à proximité de lignes électriques. Le contact ou l'utilisation à proximité de lignes électriques peut provoquer des blessures graves ou un choc électrique pouvant entraîner la mort.

EN FONCTIONNEMENT

AVERTISSEMENT: un recul peut se produire lorsque la chaîne en mouvement entre en contact avec un objet à la partie supérieure de la pointe de la barre de guidage ou lorsque le bois se referme et pince la scie à chaîne dans la coupe. Un contact à la partie supérieure de la pointe de la barre de guidage peut entraîner la chaîne à pénétrer dans l'objet et à arrêter la chaîne pendant un instant. Le résultat est une réaction inversée rapide et éclaircissante qui pousse la barre de guidage vers le haut et vers l'arrière vers l'opérateur. Si la tronçonneuse est pincée le long du haut de la barre de guidage, la barre de guidage peut être rapidement repoussée vers l'opérateur. L'une ou l'autre de ces réactions peut entraîner une perte de contrôle de la scie, ce qui peut entraîner des blessures graves. Ne vous fiez pas exclusivement aux dispositifs de sécurité intégrés à la scie. En tant qu'utilisateur de scie à chaîne, vous devez prendre plusieurs mesures pour garder vos travaux de coupe à l'abri d'accidents ou de blessures. **Les précautions suivantes doivent être suivies pour minimiser le rebond:**

1. Saisissez toujours le poteau et manipulez fermement avec les deux mains. Tenez fermement la scie des deux mains lorsque l'unité est en marche. Placez votre main droite sur la poignée arrière et votre main gauche sur l'arbre de poteau avec vos pouces et vos doigts encerclant la poignée et l'arbre de la scie à poteau. Une prise ferme avec un bras gauche rigide vous aidera à garder le contrôle de la scie en cas de rebond.
2. Assurez-vous que la zone dans laquelle vous coupez est exempte d'obstacles. Ne laissez pas le nez de la barre de guidage entrer en contact avec une bûche, une branche, une clôture ou tout autre obstacle qui pourrait être heurté pendant que vous utilisez la scie.

3. Coupez toujours avec l'unité en marche à pleine vitesse. Appuyez à fond sur la gâchette d'accélérateur et maintenez une vitesse de coupe régulière.

4. Portez des gants antidérapants pour une protection maximale de la poignée.

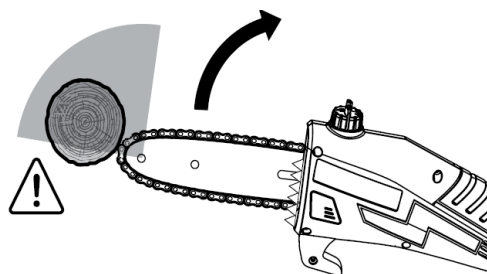
Coupez d'abord les branches inférieures pour laisser plus de place aux branches supérieures.

Travaillez lentement en gardant les deux mains sur la scie avec une prise ferme.

Maintenez une assise et un équilibre sûrs.

WARNING: To protect yourself **AVERTISSEMENT:** pour vous protéger de l'électrocution, maintenez un minimum de 50 pieds (15 m) des lignes électriques aériennes.

Gardez les passants au moins à 50 pieds. une façon.



FONCTIONNEMENT ET INSTRUCTIONS

PROCÉDURE DE COUPE DE BASE

Voir figure 8-9

Gardez l'arbre entre vous et la chaîne pendant que vous l'écartez.

Coupez du côté de la branche d'arbre opposée que vous coupez.

Ne coupez pas d'une échelle; c'est extrêmement dangereux. Laissez cette opération aux professionnels.

N'utilisez pas la scie à perche pour abattre ou tronçonner,

Pour éviter l'électrocution, n'utilisez pas l'appareil à moins de 50 pieds des lignes électriques aériennes.

Suivez les étapes ci-dessous pour éviter d'endommager l'écorce des arbres ou des arbustes. N'utilisez pas de mouvement de sciage dans les deux sens,

Ne coupez pas à ras à côté du membre principal ou du tronc avant d'avoir coupé le membre plus loin pour réduire le poids.

Le respect des procédures de coupe appropriées empêchera l'écorce de se détacher de l'élément principal.

Faire une première coupe peu profonde (1/4 du diamètre du membre) sur la face inférieure du membre près du membre principal ou du tronc.

Faites une deuxième coupe à partir du côté supérieur du membre extérieur de la première coupe. Continuez la coupe à travers le membre jusqu'à ce que le membre se sépare de l'arbre. Soyez prêt à équilibrer le poids de l'outil lorsque le membre tombe.

Faites une coupe finale près du tronc.

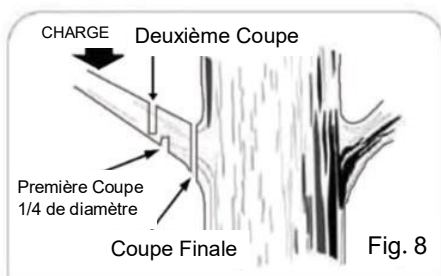


Fig. 8

Pour les deuxième et dernière coupes (du haut du membre ou de la branche), maintenez le guide de coupe avant contre le membre coupé. Cela aidera à stabiliser le membre et à le couper plus facilement. Laissez la chaîne couper pour vous; n'exercez qu'une légère pression vers le bas. Si vous forcez la coupe, vous risquez d'endommager la barre, la chaîne ou le moteur.

Relâchez la gâchette dès que la coupe est terminée. Le non-respect des procédures de coupe appropriées entraînera le serrage de la barre et de la chaîne et deviendra pincé ou coincé dans le membre.

Si cela devait arriver:

Arrêtez le moteur et retirez la batterie.

Si le membre peut être atteint à partir du sol, soulevez le membre tout en tenant la scie. Cela devrait libérer le «PINCH» et libérer la scie.

Si la scie est toujours coincée, appelez un professionnel pour obtenir de l'aide.

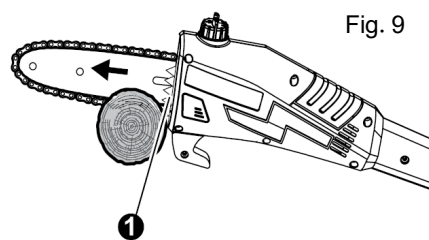


Fig. 9

MEMBRES ET ELAGAGE

Voir figure 10

Cette unité est conçue pour couper les petites branches et les membres jusqu'à 6 pouces (15 cm) de diamètre.

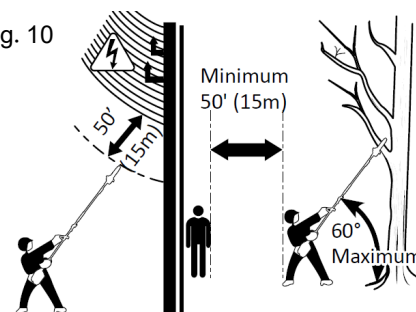
Pour de meilleurs résultats, respectez les précautions suivantes.

Planifiez soigneusement la coupe. Soyez conscient de la direction dans laquelle la branche tombera.

Les branches peuvent tomber dans des directions inattendues. Ne vous tenez pas directement sous la branche à couper.

L'application de coupe la plus courante consiste à positionner l'unité à un angle de 60° ou moins, selon la situation spécifique, comme illustré. À mesure que l'angle de l'arbre de la scie à perche par rapport au sol augmente, la difficulté de faire la première coupe (à partir du dessous du membre) augmente. Retirer longtemps ramifié en plusieurs étapes.

Fig. 10



TENSION ET MAINTENANCE DE LA CHAÎNE

AFFÛTAGE DES DENTS

Veillez à affûter les dents aux angles spécifiés et à la même longueur, car il n'est possible d'obtenir une coupe rapide qu'avec des dents uniformes.

Portez des gants de protection. Tendez la chaîne correctement avant l'affûtage. Reportez-vous à la section « Tension de la chaîne » plus haut dans ce manuel. Effectuez tout l'affûtage au milieu du guide-chaîne.

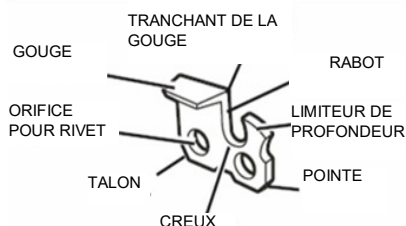
Utilisez une lime ronde de 4 mm (5/32 po) de diamètre et un porte-lime.

Maintenez la lime au niveau de la gouge de la dent. Ne laissez pas la lime plonger ou rouler. En appliquant une légère pression ferme, effectuez un mouvement vers le coin avant de la dent.

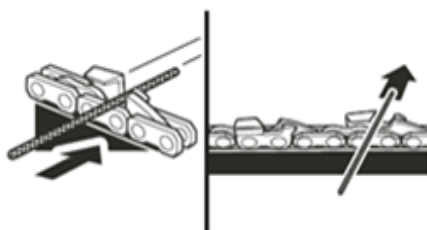
Relevez la lime de l'acier à chaque retour de celle-ci.

Effectuez quelques coups fermes sur chaque dent. Affûtez toutes les gouges de gauche dans un sens. Passez ensuite à l'autre côté et affûtez les gouges de droite dans le sens contraire. De temps en temps, retirez la limaille de la lime à l'aide d'une brosse métallique.

Portez des gants de protection. Tendez correctement la chaîne avant l'affûtage. Reportez-vous à la section « Tension de la chaîne » plus haut dans ce manuel. Faites tout votre classement au milieu de la barre. Utilisez une lime ronde et un support de 5/32 po de diamètre.

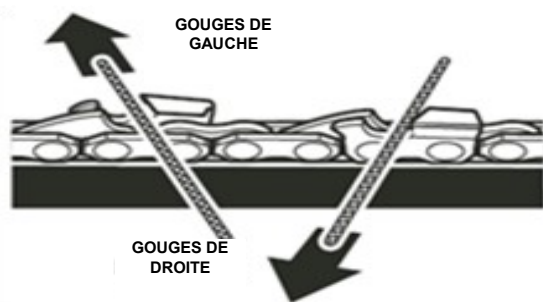


Gardez le niveau de la lime avec la plaque supérieure de la dent. Ne laissez pas le fichier plonger ou basculer. En exerçant une pression légère mais ferme, frottez vers le coin avant de la dent.



Soulevez la lime loin de l'acier à chaque course de retour.

Mettez quelques coups fermes sur chaque dent. Limez tous les outils de coupe à gauche dans une seule direction. Ensuite, déplacez-vous de l'autre côté et limez les couteaux de droite dans la direction opposée. Retirez de temps en temps le classement du fichier avec une brosse métallique.



AVERTISSEMENT : un mauvais affûtage de la chaîne augmente la possibilité d'un effet de recul.

AVERTISSEMENT : l'absence de remplacement ou de réparation d'une chaîne endommagée peut provoquer des blessures graves.

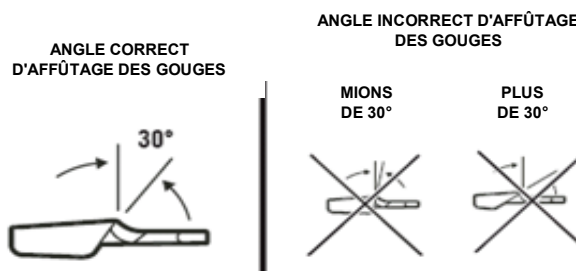
AVERTISSEMENT : la chaîne de la tronçonneuse est tranchante, portez toujours des gants de protection pour effectuer la maintenance de la chaîne

ANGLE D'AFFÛTAGE DES GOUGES

Correct à 30° – les porte-limes sont marqués avec des repères permettant d'aligner correctement la lime pour obtenir l'angle avec la gouge.

Moins de 30° – pour la coupe en travers.

Plus de 30° – bord en biseau qui s'émousse rapidement

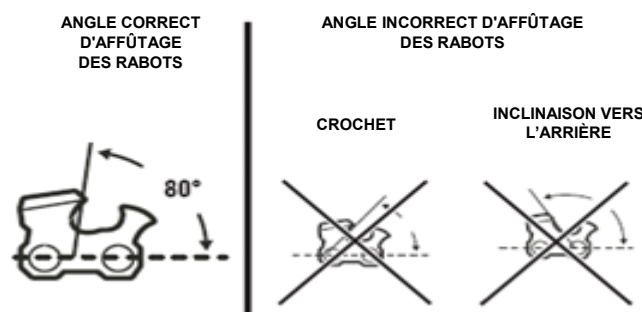


ANGLE DES RABOTS

Correct – 80° automatiquement obtenus si une lime du diamètre correct est utilisée dans le porte-lime.

Crochet – « Accroche » et s'émousse rapidement. Augmente le potentiel d'effet de recul. Résulte de l'utilisation d'une lime d'un diamètre trop petit ou si la lime est tenue trop bas.

Inclinaison vers l'arrière – Nécessite trop de pression d'alimentation, provoque une usure excessive du guide-chaîne et de la chaîne. l'utilisation d'une lime d'un diamètre trop gros ou tenue trop haut.



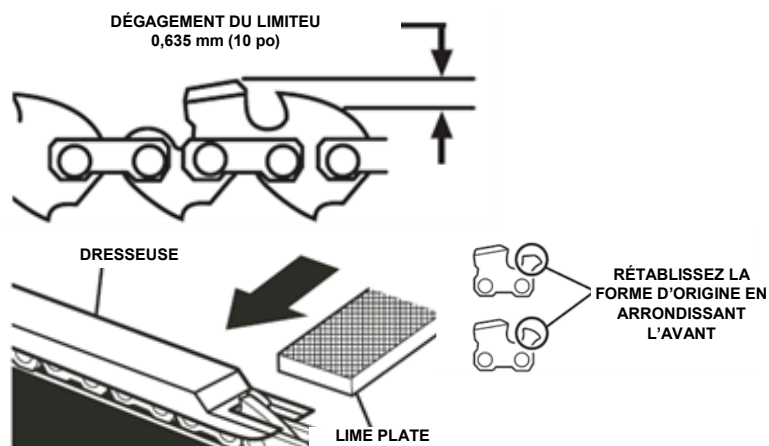
DÉGAGEMENT DU LIMITEUR DE PROFONDEUR

Le limiteur de profondeur doit être maintenu à un dégagement de 0,6 mm (0,025 po.) Utilisez un outil pour limiteur de profondeur afin de vérifier les dégagements des limiteurs de profondeur.

Vérifiez les dégagements des limiteurs de profondeur à chaque affûtage.

Utilisez une lime plate et une dresseuse pour abaisser tous les limiteurs de façon uniforme. Des dresseuses sont disponibles en 0,5 mm à 0,9 mm (0,020 po. à 0,035 po.). Utilisez une dresseuse de 0,6 mm (0,025 po.). Après l'abaissement de chaque limiteur de profondeur, rétablissez la forme d'origine en arrondissant l'avant. Veillez à ne pas endommager les maillons d'entraînement adjacents avec le bord de la lime.

Les limiteurs de profondeurs doivent être réglés avec la lime plate dans le même sens que celui d'affûtage avec la lime ronde de la gouge adjacente. la lime plate ne touche pas la face des gouges lors de l'ajustement des limiteurs de profondeur.



CHARGEMENT DE LA BATTERIE

Chargez la batterie uniquement avec le chargeur fourni.

Prévoyez au moins 60 minutes de charge avant la première utilisation de la scie à perche.

Assurez-vous que l'alimentation est à tension domestique normale, 120 volts, 60 Hz, CA uniquement.

Le chargeur de batterie doit fonctionner à des températures comprises entre 39 et 104 degrés F.

La batterie doit être chargée dans un endroit frais et sec.

Deux à trois cycles de charge / décharge initiaux peuvent être nécessaires pour atteindre une durée de fonctionnement / capacité maximale.

N'essayez pas d'ouvrir le chargeur ou l'appareil. Il ne contient aucune pièce réparable par le client. Appelez la ligne d'aide du service à la clientèle au 1-800-618-7474 pour obtenir de l'aide.

NE PAS incinérer les batteries, même si elles sont gravement endommagées ou complètement usées. Ils peuvent exploser dans un incendie et provoquer des blessures.

Utilisez le chargeur de batterie à l'intérieur uniquement.

Débranchez le chargeur de l'alimentation lorsqu'il n'est pas utilisé pour éviter d'endommager le chargeur lors d'une surtension.

Lorsqu'elle est complètement chargée, la batterie peut être stockée en toute sécurité à des températures allant jusqu'à -4°F pendant une période allant jusqu'à quatre semaines, avant de nécessiter une charge. Chargez complètement la batterie tous les 90 jours.

Si la batterie s'épuise rapidement après une période de charge complète de 60 minutes, une batterie de remplacement est nécessaire.

Pour éviter d'endommager définitivement la batterie, ne jamais la stocker déchargée.

STOCKAGE D'HIVER - Rechargez complètement avant le stockage, puis à nouveau tous les 90 jours.

Étant donné que la batterie ne développera pas de mémoire, il n'est pas nécessaire de la décharger complètement avant de la recharger.

Une petite fuite de liquide des cellules de la batterie peut se produire dans des conditions d'utilisation, de charge ou de température extrêmes. Cela n'indique pas un échec. Cependant, si le joint extérieur est brisé et que cette fuite touche votre peau.

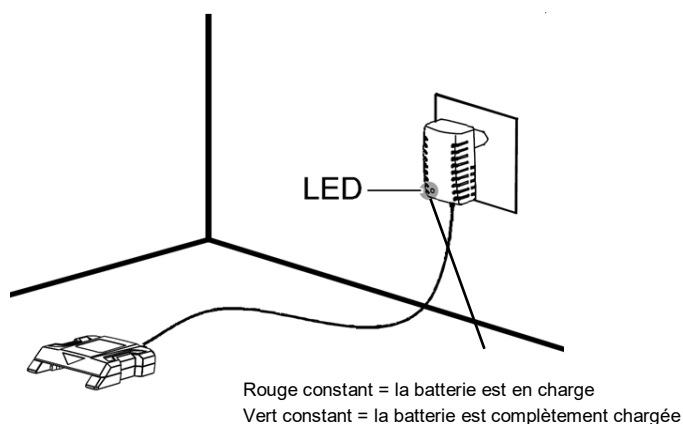
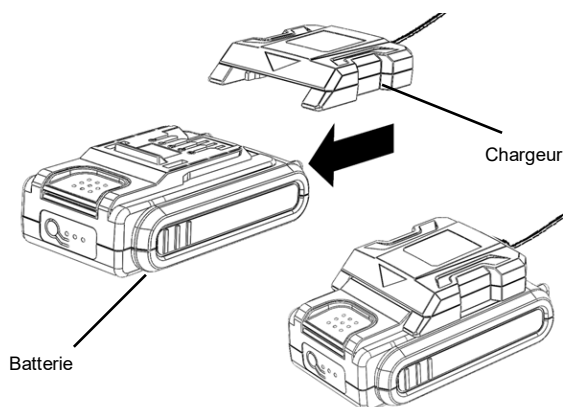
Laver rapidement à l'eau et au savon.

Neutralisez avec un acide doux tel que du jus de citron ou du vinaigre.

Si le liquide de la batterie entre en contact avec vos yeux, rincez-les à l'eau claire pendant au moins 10 minutes et consultez immédiatement un médecin.

- Laver rapidement à l'eau et au savon.
- Neutralisez avec un acide doux tel que du jus de citron ou du vinaigre.
- Si le liquide de la batterie entre en contact avec vos yeux, rincez-les à l'eau claire pendant au moins 10 minutes et consultez immédiatement un médecin.

POUR CHARGER — VOIR LE MANUEL DU CHARGEUR POUR DES INSTRUCTIONS COMPLÈTES



ÉLIMINATION DES PILES

Retirez la batterie de la scie à perche. Couvrez les bornes avec du ruban adhésif résistant. N'essayez pas de détruire ou de démonter la batterie ni de retirer des composants. Ce produit contient des batteries lithium-ion qui doivent être recyclées ou éliminées correctement. Les lois locales, étatiques ou fédérales peuvent interdire l'élimination de ces batteries dans les poubelles ordinaires.



Le sceau RBRC sur la batterie Li-ion indique que les coûts de recyclage de la batterie à la fin de sa vie utile a déjà été payé par The Great States Corporation American Lawn Mower Company. Il est illégal de placer des batteries au lithium-ion usagées dans les déchets solides municipaux locaux ou à la poubelle. RBRC en coopération avec la Great American Corporation American Lawn Mower Company a fourni un moyen écologique et facile de recycler les batteries Li-ion usagées. Contactez simplement votre centre de recyclage local ou appelez au 1-800-8BATTERY pour savoir où déposer la batterie usagée.

MAINTENANCE

AVANT UTILISATION : remplissez le réservoir d'huile avec de l'huile de guide et de chaîne fraîche et de bonne qualité. De l'huile moteur fraîche de densité SAE30 peut servir de remplacement.

Si l'appareil tombe, vérifiez soigneusement les dommages. Si la lame est pliée, si le boîtier ou les poignées sont cassés ou s'il existe un autre problème pouvant affecter le fonctionnement de la tronçonneuse, contactez votre centre de service autorisé local au 1-800-618-7474 pour le faire réparer avant de le réutiliser.

Assurez-vous que la batterie est détachée de l'appareil, n'utilisez ensuite que du savon doux et un chiffon mouillé pour nettoyer l'outil. Ne laissez jamais de liquide entrer dans l'outil; n'immergez jamais une partie de l'outil dans du liquide.

Après le nettoyage, appliquez une légère couche d'huile sur la chaîne et le guide pour empêcher la rouille.

IMPORTANT : pour garantir la SÉCURITÉ et la FIABILITÉ du produit, les réparations, la maintenance et le réglage doivent être effectués par une personne qualifiée qui utilise toujours des pièces de rechange identiques.

ATTENTION : ne laissez jamais de liquide de frein, d'essence, de produits à base de pétrole, d'huiles pénétrantes, etc. entrer en contact avec les pièces en plastique car ils contiennent des produits chimiques pouvant endommager, affaiblir ou détruire le plastique.

Assurez-vous que l'étui de lame en plastique est en place lors du rangement.

Les engrais et autres produits chimiques de jardinage contiennent des agents qui accélèrent fortement la corrosion des métaux. Ne rangez pas l'outil sur ou à côté d'engrais ou de produits chimiques.

Pour une coupe en douceur et rapide, la chaîne doit être correctement entretenue. La chaîne doit être affûtée quand les copeaux sont fins et poudreux, la chaîne doit être forcée dans le bois pendant la coupe ou la chaîne coupe vers un côté. Reportez-vous aux instructions figurant plus haut dans ce manuel d'instructions pour l'affûtage correct de la chaîne.

SYSTÈME DE LUBRIFICATION

La chaîne est automatiquement lubrifiée.

N'utilisez qu'une huile de guide et de chaîne fraîche, de l'huile moteur fraîche de densité SAE 30 peut la remplacer. N'utilisez jamais de l'huile usagée, de faible qualité ou en quantité insuffisante. Ceci pourrait endommager la pompe, le guide-chaîne et la chaîne et provoquer des blessures graves.

Vérifiez le niveau d'huile avant chaque séance de travail, effectuez l'appoint s'il est inférieur à 1/4.

Si le système de lubrification ne fonctionne pas correctement, vérifiez si le filtre à huile et les passages d'huiles sont propres et exempts d'obstructions. Si le problème n'est pas résolu, appelez notre service clientèle au 1-800-618-7474 pour assistance.

MAINTENANCE DU GUIDE-CHAÎNE

Si le guide-chaîne montre des signes d'usure, inversez-le sur la tronçonneuse afin de répartir l'usure pour une durée de vie optimale du guide-chaîne. Le guide-chaîne doit être nettoyé et vérifié quant à l'usure et les détériorations lors de chaque journée de travail.

Un amincissement ou un épaississement des bords des rails du guide-chaîne constituent un processus normal de son usure. Ces défauts doivent être corrigés avec une lime dès qu'ils apparaissent.

Tout guide-chaîne avec un des défauts suivants doit être remplacé.

- Usure à l'intérieur des rails du guide-chaîne qui permet à la chaîne de sortir vers le côté.
- Guide-chaîne tordu
- Rails fendus ou cassés
- Rails écartés

Des plus, les guide-chaînes dont l'extrémité est dotée d'un pignon doivent être lubrifiés toutes les semaines à l'aide d'une seringue à graisse afin d'allonger la durée de vie du guide-chaîne. Graissez une fois par semaine dans l'orifice de lubrification à l'aide d'une seringue à graisse.

Tournez le guide-chaîne et vérifiez que les orifices de lubrification et la gorge de la chaîne ne comportent pas d'impuretés.

DÉPANNAGE

Problème	Cause possible	Solution possible
- L'appareil ne fonctionne pas	<ul style="list-style-type: none"> - La batterie ne fait pas contact - Le déverrouillage n'est pas activé à fond - La batterie n'est pas correctement installée - La batterie n'est pas chargée 	<ul style="list-style-type: none"> - Vérifier que la batterie est insérée à fond - Vérifier que le déverrouillage est à fond vers l'avant avant d'activer le contacteur - Vérifier l'installation de la batterie - Vérifier les impératifs de charge de la batterie
- Le guide-chaîne et la chaîne chauffent et fument	<ul style="list-style-type: none"> - Vérifier si la chaîne est excessivement tendue - Le réservoir d'huile de chaîne est vide - Chaîne installée à l'envers 	<ul style="list-style-type: none"> - Régler la tension de la chaîne - Remplir le réservoir d'huile de chaîne - Inverser la chaîne pour que les gouges soient dans la direction correcte
- Le moteur tourne mais pas la chaîne	<ul style="list-style-type: none"> - Tension excessive de la chaîne - Vérifier si le guide-chaîne et la chaîne sont endommagés 	<ul style="list-style-type: none"> - Régler la tension de la chaîne - Remplacer le guide-chaîne et la chaîne avec des pièces de rechange identiques

APPELEZ-NOUS D'ABORD!!

Appelez-nous d'abord pour toute question concernant le fonctionnement ou la maintenance de votre pôle vu au 1.800.618.7474 entre 8h00 et 17h00, ou obtenir de l'aide sur SCOTT.S.AMERICANLAWNMOWER.COM

PIÈCES ET SERVICE

Pour les pièces ou le service, veuillez appeler le 1-800-618-7474 ou visitez notre site Web à l'adresse SCOTTS.AMERICANLAWNMOWER.COM. Assurez-vous de fournir toutes les informations pertinentes lorsque vous appelez ou visitez.

PIÈCES DE RÉPARATION (KITS / ARTICLES)

Le numéro de modèle/série de cet outil se trouve sur une plaque ou une étiquette attachée au boîtier. Veuillez enregistrer le numéro de série dans l'espace prévu ci-dessous.

NUMÉRO DE MODÈLE **LPS40820S**

NUMÉRO DE SÉRIE _____

Toujours mentionner le numéro de modèle lors de la commande de kits / articles pour cet outil.

Nombre	Kit / article	Nombre	La description	Quantité
1	LCS20-SCA-1		Kit d'assemblage de couvercle de pignon	1
2	LCS20-BCK-1		Kit tendeur de barre	1
3	LPS20-OTC-1		Kit d'assemblage de bouchon d'huile	1
4	BL82120		Batterie 20V	1
5	CHL82000		Chargeur 20V	1

APPELEZ-NOUS D'ABORD!!

Appelez-nous d'abord pour toute question concernant le fonctionnement ou la maintenance de votre pôle vu au 1.800.618.7474 entre 8h00 et 17h00, ou obtenir de l'aide sur SCOTTS.AMERICANLAWNMOWER.COM



MANUEL DE L'UTILISATEUR

SCIE À LONG MANCHE 20 V SANS FIL

Copyright. Tous droits réservés.

POLITIQUE DE GARANTIE SCOTTS

- **Garantie limitée de 3 ans** sur tous les outils électriques au lithium-ion 20 V Scotts à compter de la date d'achat lorsqu'ils sont utilisés à des fins personnelles, domestiques ou familiales.
- **Garantie limitée de 1 an** sur toutes les batteries et chargeurs au lithium-ion 20 V Scotts à compter de la date d'achat lorsqu'ils sont utilisés à des fins personnelles, domestiques ou familiales.

The Great States Corp. (GSC) garantit au propriétaire original que ce produit et cette pièce de rechange Scotts sont exempts de défauts de matériaux et de fabrication et accepte de réparer ou remplacer tout produit ou pièce défectueux pendant la période de garantie comme indiqué ci-dessus.

- La garantie est annulée en cas d'utilisation du produit à des fins commerciales ou industrielles ou à toute fin inappropriée comme déterminé par GSC.
- La garantie ne comprend pas les réparations nécessaires découlant d'un mauvais usage ou d'une négligence de l'utilisateur (y compris surcharger le produit au-delà de sa capacité ou l'immerger dans l'eau), ou le manquement à assembler, opérer, entretenir ou ranger le produit selon les instructions du manuel du propriétaire.
- Cette garantie ne couvre pas
 - ◇ L'usure des articles, notamment les - courroies et engrenages d'entraînements, dents, lames de coupe, lames de tondeuse, chaînes de scie, lames à déchiqueter, ventilateurs de souffleuse, couvercles de dévidoir, ligne de coupe, tubes de souffleuse et d'aspiration, barres-guides, tuyaux à haute pression, roues, poignées, tarières, sacs usées, câbles électriques et autres articles sujets à l'usure au fil du temps.
 - ◇ L'usure des batteries, y compris notamment - les chutes, l'usure et le bris sur le chargeur, l'exposition à des changements extrêmes de températures (chaud ou froid), la batterie laissée trop longtemps sur le chargeur, la batterie laissée trop longtemps non chargée, et une mauvaise utilisation ou un mauvais traitement de la batterie.
- Cette garantie ne couvre pas les dommages causés par le froid, la chaleur, la pluie, l'humidité excessive et les autres conditions environnementales extrêmes.
- Cette garantie ne couvre pas la détérioration normale de la finition extérieure ou l'usure normale sur les produits, y compris notamment les éraflures, fissures, entailles ou dommages causés par des produits chimiques extérieurs.
- Cette garantie n'est pas transférable et s'applique seulement aux nouveaux produits vendus directement par un détaillant autorisé. Cette garantie ne s'applique pas à tout produit, neuf ou d'occasion, acheté par le biais de canaux tiers non autorisés. Pour de l'information sur les détaillants autorisés, communiquez avec notre ligne directe du service à la clientèle au 1-800-618-7474 (lun. au ven., 8 h à 17 h, HNE)
- Tout dommage, perte ou frais consécutif, indirect ou consécutif qui pourrait résulter d'un défaut, d'une défaillance ou d'un dysfonctionnement du produit n'est pas couvert par la garantie.
- La garantie ne comprend pas l'installation, l'assemblage ou les réglages normaux expliqués dans le manuel de l'opérateur. Les frais de livraison du produit au vendeur et les frais de renvoi du produit ou des pièces de rechange au propriétaire ne sont pas couverts par la garantie.

Limites supplémentaires concernant la garantie

Certains États/provinces ne permettent pas l'exclusion ou la limitation de la durée d'une garantie implicite; les restrictions ci-dessus peuvent donc ne pas s'appliquer. Les produits vendus endommagés ou incomplets, vendus tels quels, vendus remis en état ne sont pas couverts par la garantie. Les dommages ou responsabilités provoqués par le transport, une mauvaise manipulation, un mauvais assemblage, une tension ou un câblage incorrect, une mauvaise maintenance, une modification incorrecte ou l'utilisation d'accessoires ou d'outils non spécifiquement recommandés ne sont pas couverts par cette garantie.

Une preuve d'achat (original du reçu de vente daté) doit accompagner toute réclamation de garantie.

Pour les réclamations, allez à scotts.americanlawnmower.com ou communiquez avec notre ligne directe du service à la clientèle de 8 h à 17 h HNE, lun. au ven. au 1-800-618-7474



American Lawn Mower Company
The Great States Corporation
7444 Shadeland Station Way Indianapolis,
IN 46256 États-Unis
Téléphone 1-800-618-7474
scotts.americanlawnmower.com

Dans le cadre d'un engagement permanent d'amélioration de la qualité, le Fabricant se réserve le droit d'apporter des modifications à des composants ou à la conception si nécessaire.

Rev. 03/31/2020