



Buy it for looks. Buy it for life.®

Specifications

DESCRIPTION

- Fixed mount showerhead only
- Available in various finishes identified by suffix
- Metal spray face and shell
- Brass swivel ball assembly

OPERATION

- Self pressurizing design provides strong performance regardless of line pressure
- Two function, rain and rinse: operate lever to select

FLOW

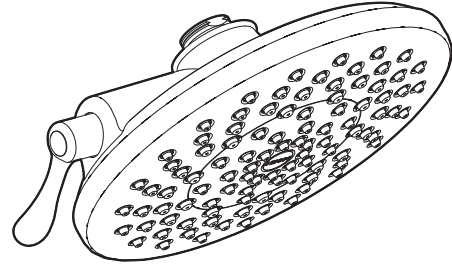
- 2.5 gpm (9.5 L/min) max

STANDARDS

- Third party certified to ASME A112.18.1/CSA B125.1 and all the applicable requirements referenced therein.

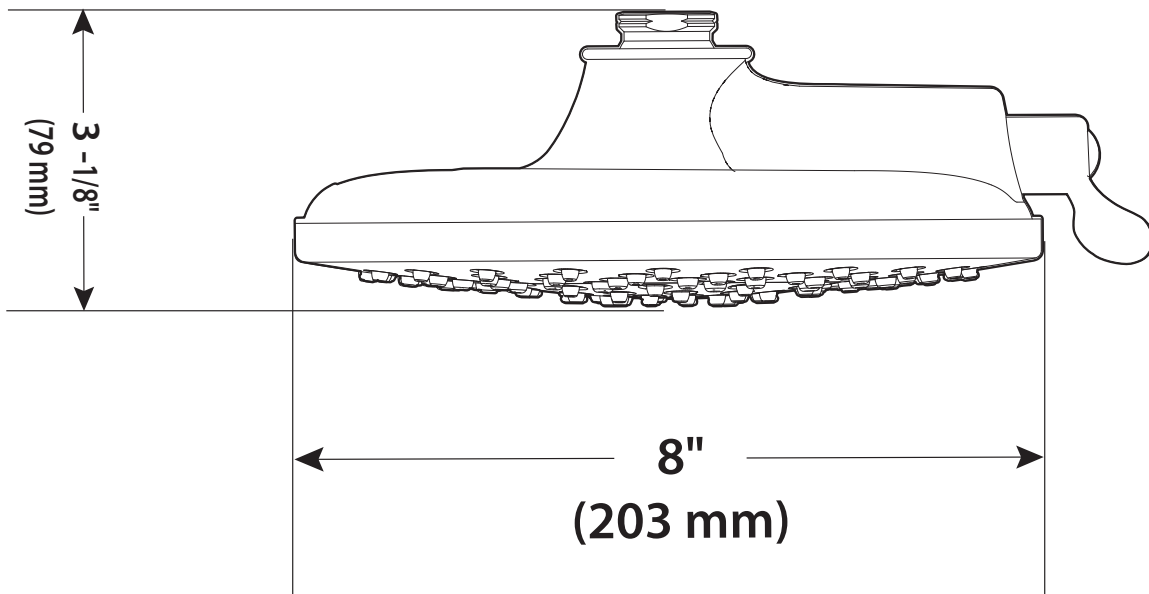
WARRANTY

- Lifetime limited warranty against leaks, drips and finish defects to the original consumer purchaser
- 5 year warranty if used in commercial installations



8" Two Function Rainshower

Models: 6320 series



CRITICAL DIMENSIONS

(DO NOT SCALE)