

DECORATIVE FLUSH HANDLE

Cat. No.
5595



L: 3 1/4"

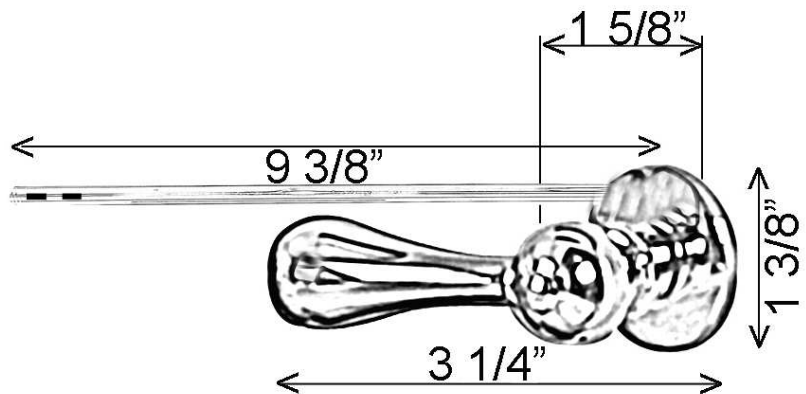
D: 1 5/8"

Features:

- ▶ Made of Metal
- ▶ Traditional Style
- ▶ Available in 4 Finishes

Finishes:

- CP Polished Chrome
- BP Polished Brass
- PN Polished Nickel
- SN Brushed Nickel



Dimensions are nominal and may vary. Dimensions and specifications subject to change without notice.