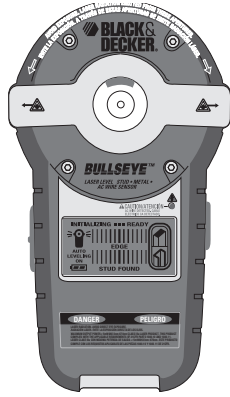




BULLSEYE™ Auto Leveling Laser / Wood & Metal Stud / AC Wire Sensor

INSTRUCTION MANUAL



Catalog No. BDL190S

Thank you for choosing Black & Decker!
Go to www.BlackandDecker.com/NewOwner
to register your new product.

PLEASE READ BEFORE RETURNING THIS PRODUCT FOR ANY REASON:

If you have a question or experience a problem with your Black & Decker purchase, go to [HTTP://WWW.BLACKANDDECKER.COM/INSTANTANSWERS](http://www.BlackandDecker.com/InstantAnswers) for instant answers 24 hours a day.

If you can't find the answer or do not have access to the internet, call 1-800-544-6986 from 8 a.m. to 5 p.m. EST Mon. -- Fri. to speak with an agent.

Please have the catalog number available when you call.

SAVE THIS MANUAL FOR FUTURE REFERENCE.

VEA EL ESPAÑOL EN LA CONTRAPORTADA.

INSTRUCTIVO DE OPERACIÓN, CENTROS DE SERVICIO Y PÓLIZA DE GARANTÍA.
ADVERTENCIA: LEÁSE ESTE INSTRUCTIVO ANTES DE USAR EL PRODUCTO.

Cat No. BDL190S Form # 90565471
March 2011 Copyright © 2011 Black & Decker Printed in China

⚠ WARNING: Read and understand all instructions. Failure to follow all instructions listed below may result in electric shock, fire and/or serious personal injury.

SAVE THESE INSTRUCTIONS

Safety Instructions

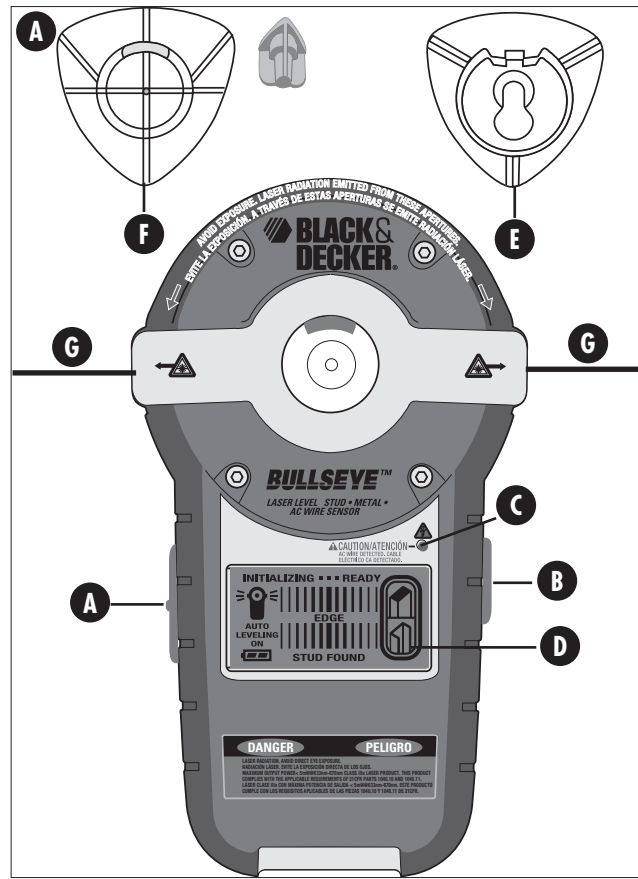
- Do not operate the laser in explosive atmospheres, such as in the presence of flammable liquids, gases, or dust.
- Use the laser only with the specifically designated batteries. Use of any other batteries may create a risk of fire.
- Store idle laser out of reach of children and other untrained persons. Lasers are dangerous in the hands of untrained users.
- Use only accessories that are recommended by the manufacturer for your model. Accessories that may be suitable for one laser, may create a risk of injury when used on another laser.
- Do not use optical tools such as a telescope or transit to view the laser beam. Serious eye injury could result.
- Do not place the laser in a position which may cause anyone to intentionally or unintentionally stare into the laser beam. Serious eye injury could result.
- Turn the laser off when it is not in use. Leaving the laser on increases the risk of staring into the laser beam.
- Repairs and servicing **MUST** be performed by a qualified repair facility. Repairs performed by unqualified personnel could result in serious injury.
- ⚠ WARNING: DO NOT DISASSEMBLE THE LASER.** There are no user serviceable parts inside. Disassembling the Laser will void all warranties on the product. Do not modify the product in any way. Modifying the tool may result in Hazardous Laser Radiation Exposure.
- Do not operate the laser around children or allow children to operate the laser. Serious eye injury may result.
- Do not remove or deface warning labels. Removing labels increases the risk of exposure to radiation.
- Position the laser securely. Damage to the laser or serious injury could result if the laser falls.
- ⚠ CAUTION:** Occasionally, pipes and electrical wiring may not be detected by this product. The sensor will not detect hot wires inside metal pipe or metal conduit, behind metallic wall covering, or behind some plywood or other dense materials.
- ⚠ CAUTION:** Material thickness, type of material, moisture content, and other variables can affect sensing results. The sensor may detect electric wiring or pipes in the same manner that studs are detected depending on their location to the wall surface. Use caution when drilling, nailing or cutting into walls, floors and ceilings which may contain electrical wiring or pipes. These items may be detected by the sensor in the same manner in which studs are detected. Because studs are normally spaced 16 inches (406 mm) or 24 inches (610 mm) apart and are usually 1-1/2 inches (38 mm) wide, beware of anything closer together or of a different width. **Always turn off the power when working near electrical wires.**
- ⚠ CAUTION:** Use of controls or adjustments or performance of procedures other than those specified in this manual may result in hazardous laser radiation exposure.
- This product is intended for use in a temperature range of 50°F(10°C) - 104°F(40°C).

Liquid Crystal Display (First Aid Measures)

- If liquid crystal comes in contact with your skin:
Wash area off completely with plenty of water. Remove contaminated clothing.
- If liquid crystal gets into your eye:
Flush the affected eye with clean water and then seek medical attention.
- If liquid crystal is swallowed:
Flush your mouth thoroughly with water. Drink large quantities of water and induce vomiting. Then seek medical attention.

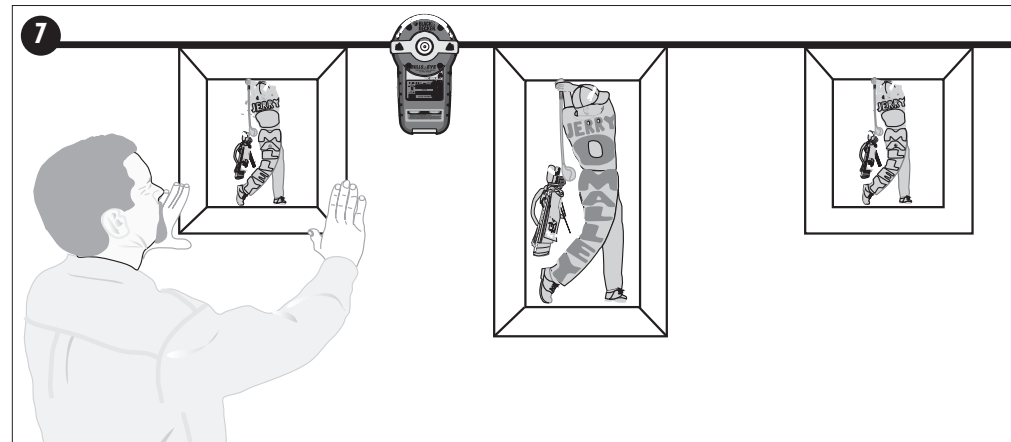
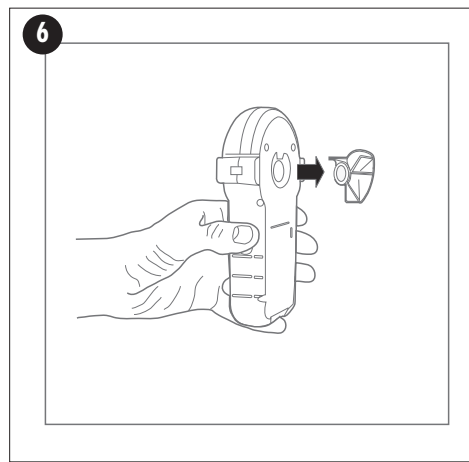
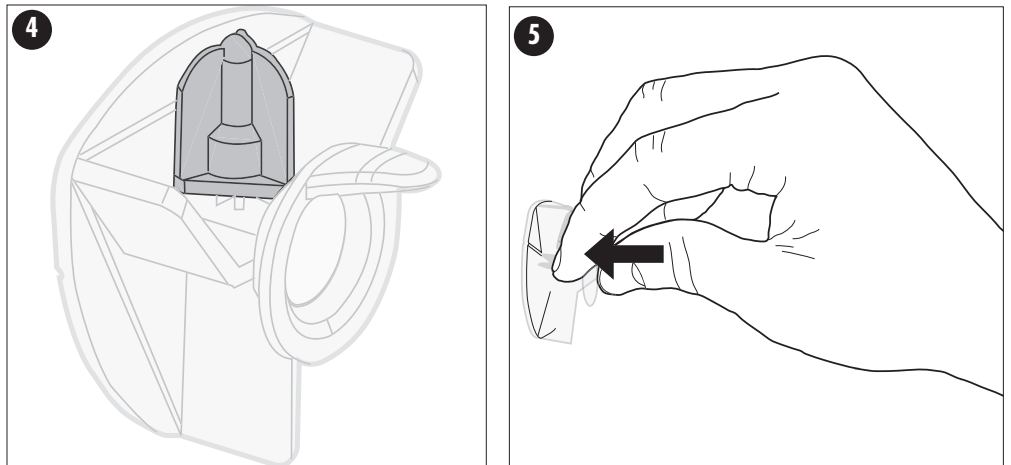
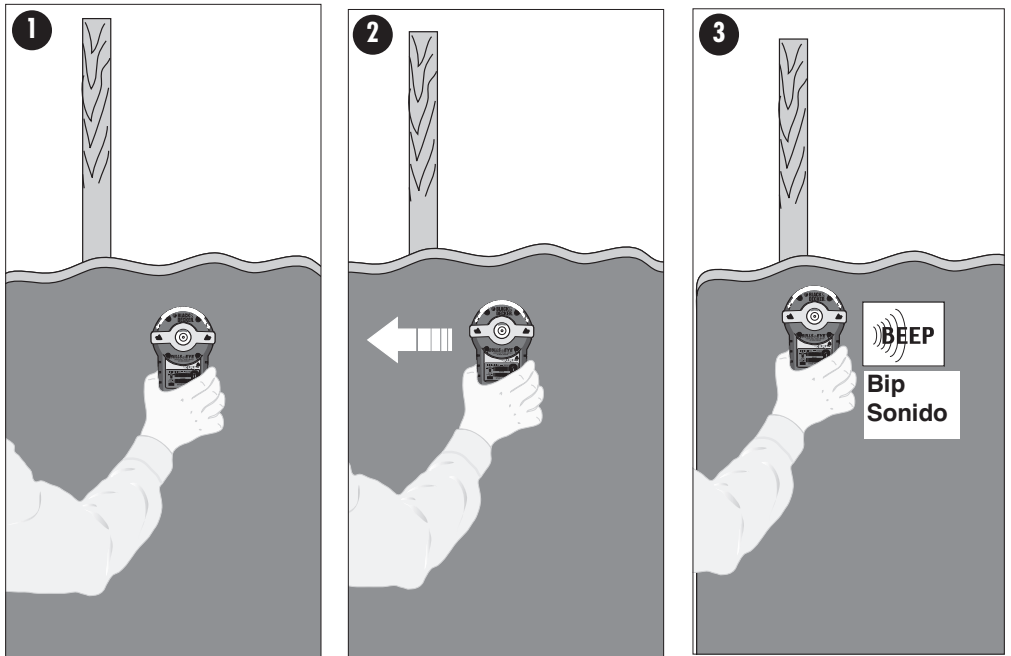
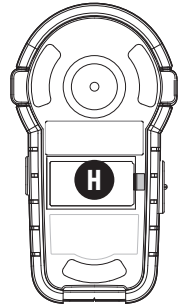
The label on your tool may include the following symbols.

- Vvolts
- nmwavelength in nanometers
- ⚠AC Wire Warning
- mWmilliwatts
- IIIaClass IIIa Laser

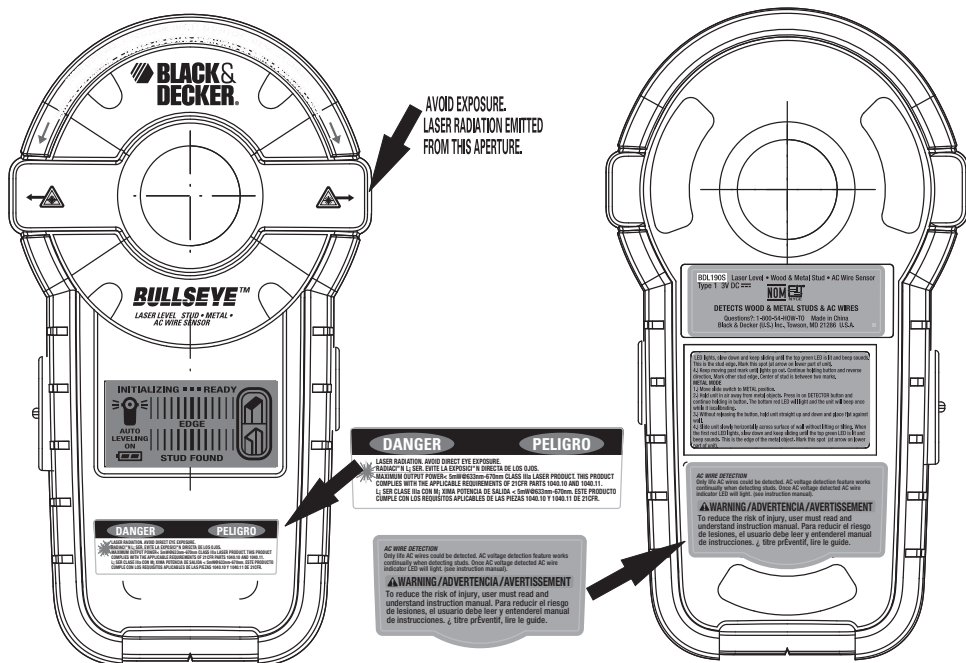


FEATURES

- A.) Laser On/Off Button
- B.) Detector On/Off Button
- C.) AC Wire Indicator LED
- D.) LCD Screen
- E.) Wall Attachment - Hanging Cone (keyhole)
- F.) Wall Attachment - Drywall Pin
- G.) Self-Leveling Laser Lines
- H.) Battery Compartment Cover (back side of unit)



For your convenience and safety, the following labels are on your laser.



Helpful Hints (Con't).

- Because studs are normally spaced 16 inches or 24 inches apart and are 1-1/2 inches wide, beware of anything closer together or of a different width. Doors and windows are constructed with studs and headers which are closer together.
- When using unit over a stucco wall, place a piece of cardboard over the surface to help provide a smooth motion across the wall.
- **Avoid materials which have inconsistent density such as:**
 - Carpeting and padding
 - Ceramic floor tile
 - Wallpaper containing metallic foils or fibers. Generally, surfaces covered with regular wallpaper or fabric will scan with no difference in function.
 - Walls that are freshly painted and are still damp.
 - Excessively thick plaster and lath.

TROUBLESHOOTING

Problem	Possible Cause	Solution
• Unit not detecting any studs in search area.	• Weak battery. • Nothing to detect in that area. • Check mode. May have been calibrated over a stud.	• Replace with fresh battery. • Start again moving farther to either side.
• Unit found too many studs in search area.	• Detects other objects besides studs. • Electrical wiring and metal or plastic pipes may be near or touching back surface of wall.	• Because studs are normally spaced 16 inches or 24 inches apart and are 1-1/2 inches wide, beware of anything closer together or of a different width.
• Laser does not project on wall.	• Weak battery. • The self leveling range of the unit is +/-5 degrees, if the unit is not held within 5 degrees of vertical, the laser lines will not project on wall.	• Replace with fresh battery. • Be sure that the unit is as straight up and down as possible.
• Laser projects on wall but lines are not level.	• Wall on which the unit is mounted or held must be within +/- 5 degrees of vertical for the self leveling mechanism to function correctly. If this is exceeded, the lines will still project but may not be level. • The laser on/off switch must be pushed to the full on position.	• Use the unit against vertical walls only, lines will not be level on sloped walls or other non-vertical surfaces. • Be sure laser on/off switch is in the full on position.
• You suspect electrical wires, but do not detect any.	• Weak battery. • If wires are shielded behind metallic wall coverings, or in metal conduit, the sensor will not be able to detect them. • The wires may not be "live". • Wires may be too deep to sense. • Use caution if area has plywood, thick wood backing behind drywall, or thicker than normal walls.	• Replace with fresh battery. • If a switch controls an outlet, make sure the it is ON for detection.

⚠ WARNING: Always turn off the power when working near electrical wires.

Installing the Battery

Ensure laser on/off switch (A) is in the full off position by moving laser button to "O" position. Remove the battery compartment cover (H). Insert 2 fresh 1.5 volt AA alkaline batteries making sure to match (+) and (-) terminals correctly. Replace battery compartment cover.

⚠ WARNING: Batteries can explode, or leak, and can cause injury or fire. To reduce this risk:

- Carefully follow all instructions and warnings on the battery label and package.
- Always insert batteries correctly with regard to polarity (+ and -), marked on the battery and the equipment.
- Do not short battery terminals.
- Do not charge batteries.
- Do not mix old and new batteries. Replace all of them at the same time with new batteries of the same brand and type.
- Remove dead batteries immediately and dispose of per local codes.
- Do not dispose of batteries in fire.
- Keep batteries out of reach of children.
- Remove batteries if the device will not be used for several months.

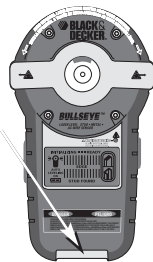
"Transporting batteries can possibly cause fires if the battery terminals inadvertently come in contact with conductive materials such as keys, coins, hand tools and the like. The US Department of Transportation Hazardous Material Regulations (HMR) actually prohibit transporting batteries in commerce or on airplanes (i.e. packed in suitcases and carryon luggage) UNLESS they are properly protected from short circuits. So when transporting individual batteries, make sure that the battery terminals are protected and well insulated from materials that could contact them and cause a short circuit."

LOW BATTERY INDICATOR

A battery energy level indicator is displayed in the lower left hand corner of the display screen.

Operating Instructions

NOTE: Detecting elements for wood and metal studs and AC Wires are located in the lower part of the unit.



STUD DETECTION

For stud detection through up to 3/4 inch (19mm) thick drywall.

- 1). Hold unit straight up and down and place flat against wall as shown in **Figure 1**.
- 2). Press in and hold the detector on/off button (B). LCD screen (D) will light and detector will run initialization process.
- 3). READY message will appear on LCD screen and the unit will beep once to indicate it is calibrated and ready for detection.
- 4). Slide unit slowly, **Figure 2**, horizontally across surface of wall without lifting or tilting. When the STUD FOUND message appears on the LCD screen, slow down and keep sliding until EDGE message appears and beep sounds as shown in **Figure 3**. This is the stud edge. Mark this spot (at arrow on lower part of unit).
- 5). Keep moving past mark until EDGE and STUD FOUND disappear.
- 6). Continue holding detector button and reverse direction.
- 7). Find and mark other stud edge, following step 4).
- 8). Center of the stud is between marks.

AC WIRE SENSING

Test on a known "live" AC wire before each use. For AC Detection up to 1-1/2 inches (38mm) from the surface. The sensor detects AC voltage and will identify only live wires. AC voltage detection feature works continuously when detecting studs. It assists in identifying when the sensor is near live AC wiring and detector button (B) is depressed. Once AC voltage has been detected AC wire indicator LED (C) will light.

If the unit is calibrated close to AC wire, it may decrease AC wiring sensor sensitivity. Static charge may spread detection 12 inches (30.4cm) on both sides of wire.

⚠ WARNING: Occasionally, pipes and electrical wiring may not be detected by this product. Observe caution when cutting or drilling into areas that may contain concealed pipes or wiring. The sensor will not detect live wires inside metal pipe or metal conduit, behind metallic wall covering, or behind some plywood or other dense materials.

Use caution if area has plywood, thick wood backing behind drywall, or thicker than normal walls.

⚠ WARNING: Always turn off the power when working near electrical wires, electric shock may result.

AUTO LEVELING LASER LINES

Operation of Laser: Place unit flat against wall as shown in **Figure 1**. Move laser on/off button (A) to "I" position to actuate the auto leveling horizontal laser lines.

HANGING ON DRYWALL SURFACES ONLY

Hands Free Operation of Laser: To hang the unit on a wall, remove the orange protective cap from the drywall pin (F) and store it on the cone as shown in **Figure 4**. Push pin into drywall (**Figure 5**). When pressing pin into drywall, make sure it is straight and seated firmly. Hang the laser on the cone as shown in **Figure 6** and check to make sure that the unit is secure on the wall. **Figure 7** illustrates a typical application for the laser when it is wall mounted.

⚠ CAUTION: Pin is sharp and should be handled with care. The drywall pin should always be pushed in by hand and never driven by a hammer. Replace protective cap after each use.

NOTE: The pin is only for use on drywall NOT other surfaces including plaster.

HANGING ON OTHER SURFACES

Hands Free Operation of Laser: For surfaces other than drywall, the (key hole) hanging cone (E) can be used with a standard nail or screw in a predrilled hole. To use the keyhole hanging cone, place it over a nail or screw on a vertical surface with the narrow portion of the opening pointing upward. Push the laser onto the hanging cone until it snaps into place. To remove the laser, lift it slightly and pull it straight off. The unit can also be used with the hanging cone attached to the back and then hanging the unit on the nail or screw. Make sure it is straight and seated firmly on the cone and that the unit is secure on the wall.

⚠ DANGER: Laser Radiation, avoid direct eye exposure.

Helpful Hints

- If the laser light becomes dim or is no longer visible when the switch is in the on position check or change the battery.
- The laser lines are only level on the wall against which the unit is held or hung. The short line visible on any adjacent wall is not level.
- The laser unit is a wall use tool only and only generates level lines when held against a vertical surface.
- The laser unit is equipped with a pendulum lock that stops pendulum motion when the laser on/off switch is moved to the off position.
- If the laser on/off switch is pushed part way to the on position, the laser lines may be on while the pendulum lock is still engaged.
- Hold stud sensor straight up and down.

Storage

Always store this product indoors and in its protective case.

Maintenance

Use only mild soap and damp cloth to clean the tool. Never let any liquid get inside the tool; never immerse any part of the tool into a liquid.

IMPORTANT: To assure product SAFETY and RELIABILITY, repairs, maintenance and adjustment (other than those listed in this manual) should be performed by authorized service centers or other qualified service organizations, always using identical replacement parts.

Accessories

Recommended accessories for use with your tool are available from your local dealer or authorized service center. If you need assistance regarding accessories, please call: **1-800-544-6986**.

⚠ WARNING: The use of any accessory not recommended for use with this tool could be hazardous.

SERVICE INFORMATION

All Black & Decker Service Centers are staffed with trained personnel to provide customers with efficient and reliable power tool service. Whether you need technical advice, repair, or genuine factory replacement parts, contact the Black & Decker location nearest you. To find your local service location, refer to the yellow page directory under "Tools—Electric" or call: **1-800-544-6986** or visit www.blackanddecker.com

FULL TWO-YEAR HOME USE WARRANTY

Black & Decker (U.S.) Inc. warrants this product for two years against any defects in material or workmanship. The defective product will be replaced or repaired at no charge in either of two ways.

The first, which will result in exchanges only, is to return the product to the retailer from whom it was purchased (provided that the store is a participating retailer). Returns should be made within the time period of the retailer's policy for exchanges (usually 30 to 90 days after the sale). Proof of purchase may be required. Please check with the retailer for their specific return policy regarding returns that are beyond the time set for exchanges.

The second option is to take or send the product (prepaid) to a Black & Decker owned or authorized Service Center for repair or replacement at our option. Proof of purchase may be required. Black & Decker owned and authorized Service Centers are listed under "Tools-Electric" in the yellow pages of the phone directory.

This warranty does not apply to accessories. This warranty gives you specific legal rights and you may have other rights which vary from state to state or province to province. Should you have any questions, contact the manager of your nearest Black & Decker Service Center. This product is not intended for commercial use.

FREE WARNING LABEL REPLACEMENT: If your warning labels become illegible or are missing, call **1-800-544-6986** for a free replacement.

LATIN AMERICA: This warranty does not apply to products sold in Latin America. For products sold in Latin America, check country specific warranty information contained in the packaging, call the local company or see the website for warranty information.

TECHNICAL SPECIFICATIONS OF LASER LEVEL:

Laser Diode Wavelength:	650 ± 5 nm (red color)
Laser Class:	Class IIIa
Working Range:	Up to 20 feet (depends on light conditions)
Leveling Accuracy:	±1/8 inch (3 mm) @ 10 feet (3 m)
Auto Leveling Range:	±4.5°
Auto Leveling Lines Settling Time:	<5 sec
Batteries:	2 AA Alkaline (included)
Voltage:	3 Volt
Operating Temperature:	50°F (10°C)- 104° F (40°C)

Imported by
Black & Decker (U.S.) Inc.,
701 E. Joppa Rd.
Towson, MD 21286 U.S.A.



See 'Tools-Electric' - Yellow Pages - for Service & Sales



⚠ DANGER : Rayonnement laser, éviter toute exposition directe avec les yeux.

Conseils utiles

- Si la lumière du laser réduit ou n'est plus visible lorsque l'interrupteur est à la position de marche, vérifier la pile ou la remplacer.
- Les raies lasers ne sont au niveau qu'avec le mur contre lequel l'appareil est tenu ou accroché. La courte raie visible sur tout mur adjacent n'est pas au niveau.
- Le laser est un outil à utilisation murale uniquement et ne produit que des raies à niveau s'il est tenu contre une surface verticale.
- Le laser est pourvu d'un dispositif de blocage à mouvement de pendule qui interrompt le mouvement de pendule lorsque l'interrupteur marche/arrêt du laser est réglé à l'arrêt.
- Si l'interrupteur marche/arrêt du laser est réglé à mi-chemin de la position de marche, les raies laser peuvent être activées alors que le dispositif de blocage du mouvement de pendule est encore engagé.
- Tenir le détecteur de montant droit, de haut en bas.
- Comme les montants sont habituellement espacés de 406 mm (16 po) ou de 610 mm (24 po) et présentent une épaisseur de 36 mm (1 1/2 po), être prudent pour tout composant moins espacé ou de largeur différente. Les portes et fenêtres sont construites avec des montants et des linteaux qui sont plus rapprochés.
- Pour utiliser l'outil sur un mur en stuc, placer un morceau de carton sur la surface pour favoriser un déplacement lisse sur le mur.
- **Éviter les matériaux présentant une densité irrégulière, notamment :**
 - Tapis et rembourrage
 - Carreaux de céramique pour planchers
 - Papier peint composé de feuilles ou de fibres métalliques. Habituellement, les surfaces recouvertes d'un papier peint ou d'un tissu lisse seront lues sans que l'outil ne présente un fonctionnement différent.
 - Les murs fraîchement peints et encore humides.
 - Plâtre ou latte très épais.

GUIDE DE DÉPANNAGE

Problème	Cause probable	Solution
• L'outil ne détecte aucun montant dans la section de recherche.	• Pile faible. • Rien à détecter dans cette section. • Mode de vérification. Peut avoir été étalonné sur un montant.	• Remplacer la pile par une neuve. • Recommencer en déplaçant l'outil plus loin d'un côté ou l'autre.
• L'outil détecte trop de montants dans la section de recherche.	• D'autres objets que les montants sont détectés. • Un câblage électrique et des tuyaux métalliques ou en plastique peuvent être à proximité ou en contact avec la surface d'appui du mur.	Les montants étant généralement espacés de 406 mm (16 po) ou de 610 mm (24 po) et présentent une largeur habituelle de 38 mm (1 1/2 po), être prudent pour tout ce qui est moins espacé ou de largeur différente.
• Le laser n'effectue pas de projection sur le mur.	• Pile faible. • La plage de mise à niveau automatique de l'outil correspond à +/- 5 degrés; donc, si l'outil n'est pas tenu à la verticale selon un angle de 5 degrés, les raies laser ne seront pas projetées sur le mur.	• Remplacer la pile par une neuve. • S'assurer que l'outil est aussi droit que possible en haut et en bas.
• Laser effectue une projection sur le mur, mais les raies ne sont pas au niveau.	• Le mur sur lequel l'outil est monté ou tenu doit correspondre à un angle de +/- 5 degrés à la verticale pour que le mécanisme de mise à niveau automatique fonctionne correctement. Si l'angle est plus prononcé, les raies seront tout de même projetées, mais risquent de ne pas être à niveau. • L'interrupteur marche/arrêt du laser doit être complètement réglé à la position de marche.	• Utiliser l'outil contre les murs verticaux seulement, les raies ne seront pas au niveau sur des murs en pente ou sur toute surface non verticale. • S'assurer que l'interrupteur marche/arrêt du laser est complètement réglé à la position d'arrêt.
• Un doute est émis sur la présence possible de fils électrique, mais l'outil n'en détecte aucun.	• Pile faible. • Si les fils sont blindés derrière un revêtement mural métallique où s'ils sont logés dans un conduit métallique, le détecteur ne sera pas en mesure de les détecter. • Il est possible que les fils ne soient pas sous tension. • Les fils peuvent être situés trop loin du mur pour les détecter. • Être prudent pour les sections composées de contreplaqué, d'appui en bois épais derrière la cloison sèche ou les murs plus épais que la normale.	• Remplacer la pile par une neuve. • En présence d'un interrupteur qui commande une prise, s'assurer qu'il est réglé à la position de marche pour la détection.

⚠ AVERTISSEMENT : Toujours effectuer une mise hors tension au moment de travailler près des fils électriques.

Rangement

Toujours ranger le produit à l'intérieur et dans son boîtier de protection.

Entretien

N'utiliser qu'un détergent doux et un chiffon humide pour nettoyer l'outil. Ne jamais laisser de liquide pénétrer dans l'outil et n'immerger aucune partie de l'outil dans un liquide.

IMPORTANT : Pour garantir la SÉCURITÉ et la FIABILITÉ du produit, les réparations, l'entretien et le réglage (autre que ceux énumérés dans ce manuel) doivent être réalisés par un centre de réparation autorisé ou tout autre centre de réparation professionnel, et les des pièces de rechange identiques doivent être utilisées.

Accessoires

Les accessoires recommandés pouvant être utilisés avec l'outil sont disponibles auprès de votre distributeur local ou centre de réparation autorisé. Pour tout renseignement concernant les accessoires, composer le : **1 800 544-6986 (1-800-54-HOW-TO)**.

⚠ AVERTISSEMENT : L'utilisation de tout accessoire non recommandé avec cet outil pourrait s'avérer dangereuse.

INFORMATION SUR LES RÉPARATIONS

Tous les centres de réparation Black & Decker sont dotés de personnel qualifié en matière d'outillage électrique; ils sont donc en mesure d'offrir à leur clientèle un service efficace et fiable. Que ce soit pour un avis technique, une réparation ou des pièces de rechange authentiques installées en usine, communiquer avec l'établissement Black & Decker le plus près de chez vous. Pour trouver l'établissement de réparation de votre région, consulter le répertoire des Pages jaunes à la rubrique « Outils électriques » ou composer le numéro suivant : **1-800-544-6986** ou consulter le site **www.blackanddecker.com**

GARANTIE COMPLÈTE DE DEUX ANS POUR UNE UTILISATION DOMESTIQUE

Black & Decker (É.-U.) Inc. garantit ce produit pour une durée de deux ans contre tout défaut de matériau ou de fabrication. Le produit défectueux sera remplacé ou réparé sans frais de l'une des deux façons suivantes :

La première façon consiste en un simple échange chez le détaillant qui l'a vendu (pourvu qu'il s'agisse d'un détaillant participant). Tout retour doit se faire durant la période correspondant à la politique d'échange du détaillant (habituellement, de 30 à 90 jours après l'achat). Une preuve d'achat peut être requise. Vérifier auprès du détaillant pour connaître sa politique concernant les retours hors de la période définie pour les échanges.

La deuxième option est d'apporter ou d'envoyer le produit (transport payé d'avance) à un centre de réparation autorisé ou à un centre de réparation de Black & Decker pour faire réparer ou échanger le produit, à notre discrétion. Une preuve d'achat peut être requise. Les centres Black & Decker et les centres de service autorisés sont répertoriés dans les pages jaunes, sous la rubrique « Outils électriques ».

Cette garantie ne s'applique pas aux accessoires. Cette garantie vous accorde des droits légaux spécifiques et vous pourriez avoir d'autres droits qui varient d'un État ou d'une province à l'autre. Pour toute question, communiquer avec le directeur du centre de réparation Black & Decker le plus près de chez vous. Ce produit n'est pas destiné à un usage commercial.

REPLACEMENT GRATUIT DES ÉTIQUETTES D'AVERTISSEMENT : si les étiquettes d'avertissement deviennent illisibles ou sont manquantes, composer le **1-800-544-6986** pour en obtenir le remplacement gratuit.

CARACTÉRISTIQUES TECHNIQUES DU NIVEAU LASER :

Longueur d'onde de la diode du laser :	650 ± 5 nm (couleur rouge)
Classe du laser :	Classe IIIa
Plage de fonctionnement : l'éclairage)	Jusqu'à 6,1 m (20 pi) (selon
Précision de la mise à niveau :	± 3 mm (1/8 po) @ 3 m (10 pi)
Plage de mise à niveau automatique :	±4.5°
Réglage de la durée, raies à mise à niveau automatique :	<5 sec
Piles :	2 AA alcalines (incluses)
Tension :	3 V
Température de fonctionnement :	10 °C (50 °F) – 40 °C (104 °F)

Imported by / Importé par
Black & Decker Canada Inc.
100 Central Ave.
Brockville (Ontario) K6V 5W6

Voir la rubrique "Outils électriques" des Pages Jaunes pour le service et les ventes.



NIVEL LÁSER AUTONIVELANTE BULLSEYE^{MC}/DETECTOR DE CLAVOS DE MADERA Y METAL/CABLES ELÉCTRICOS DE CA

MANUAL DE INSTRUCCIONES

No. Catálogo BDL190S

**Gracias por elegir Black & Decker!
Visite www.BlackandDecker.com/NewOwner
para registrar su nuevo producto.**

LEA EL MANUAL ANTES DE DEVOLVER ESTE PRODUCTO POR CUALQUIER MOTIVO:

Si tiene una consulta o algún inconveniente con su producto Black & Decker, visite **HTTP://WWW.BLACKANDDECKER.COM/INSTANTANSWERS**

para obtener respuestas instantáneas las 24 horas del día.

Si no encuentra la respuesta o no tiene acceso a Internet, llame al 1-800-544-6986 de lunes a viernes de 8 a.m. a 5 p.m. hora del Este para hablar con un agente.

Cuando llame, tenga a mano el número de catálogo.

⚠ ADVERTENCIA: Lea y comprenda todas las instrucciones. El incumplimiento de todas y cada una de las instrucciones enumeradas debajo puede provocar descarga eléctrica, incendio o daños personales serios.

CONSERVE ESTAS INSTRUCCIONES

Instrucciones de seguridad

- No opere el láser en atmósferas explosivas, como ambientes donde se encuentran líquidos, gases o polvo inflamables.
- Utilice el láser únicamente con las baterías recomendadas específicamente. El uso de cualquier otra fuente de energía puede producir riesgo de incendio.
- Guarde el láser fuera del alcance de los niños y de personas no entrenadas. El láser es peligroso en las manos de usuarios no entrenados.
- Utilice sólo accesorios recomendados por el fabricante para el modelo que posee. Los accesorios correctos para un láser pueden provocar riesgo de lesiones si se utilizan con otro láser.
- No utilice herramientas ópticas, como por ejemplo un telescopio o un teodolito para ver el rayo láser. Podría provocar lesiones oculares graves.
- No ubique el láser en una posición que pueda provocar que alguien intencional o no intencionalmente fije su vista en el rayo láser. Podría provocar lesiones oculares graves.
- Apague el láser cuando no esté en uso. Dejar encendido el láser aumenta el riesgo de fijar la vista en el rayo láser.
- Las reparaciones y el mantenimiento DEBEN ser realizados por un centro de reparaciones calificado. Las reparaciones realizadas por personal no calificado pueden provocar lesiones graves.
- **⚠ ADVERTENCIA: NO DESARME EL LÁSER.** No contiene elementos a los que el usuario pueda hacerles mantenimiento. Si desarma el láser, se anularán todas las garantías del producto. No modifique el producto de ninguna manera. La modificación de la herramienta podría provocar exposición a radiación láser peligrosa.
- No opere el láser con niños alrededor ni permita que los niños operen el láser. Podría provocar lesiones oculares graves.
- No retire ni borre las etiquetas de advertencia. El retiro de las etiquetas aumenta el riesgo de exposición a radiación.
- Coloque el láser de forma segura. Si el láser se cae, puede dañarse o provocar lesiones graves.
- **⚠ PRECAUCIÓN :** En ocasiones, es posible que este producto no detecte tuberías ni cableado eléctrico. El detector no detectará cables dentro de tuberías o conductores metálicos, detrás de revestimientos de pared metálicos o detrás de madera contrachapada u otros materiales compactos.
- **⚠ PRECAUCIÓN :** El espesor del material, el tipo de material, el contenido de humedad y otras variables pueden afectar los resultados de la detección. El detector puede detectar cableado eléctrico o tuberías de la misma forma que los clavos en función de su ubicación en la superficie de la pared. Tenga precaución al taladrar, clavar o cortar paredes, pisos y techos que puedan contener cableado eléctrico o tuberías. Estos artículos pueden ser detectados por el detector de la misma forma que los clavos. Dado que los clavos se encuentran normalmente a una distancia de 406 mm (16 pulgadas) o 610 mm (24 pulgadas) y, por lo general, tienen un ancho de 38 mm (1 1/2 pulgadas), tenga en cuenta cualquier objeto que esté más cerca o que tenga un ancho diferente. Siempre desconecte la energía al trabajar cerca de cableado eléctrico.
- **⚠ PRECAUCIÓN :** La utilización de controles o ajustes o la realización de procedimientos diferentes a los especificados en este manual podrían provocar el riesgo de exposición a radiación láser.
- Este producto está diseñado para utilizar con temperaturas entre 10°C (50°F) y 40°C (104°F).

Pantalla de cristal líquido (Medidas de primeros auxilios)

- Si el cristal líquido entra en contacto con su piel:
Lave el área por completo con mucha agua. Retire las ropas contaminadas.
- Si el cristal líquido ingresa en sus ojos:
Enjuague el ojo afectado con agua limpia y luego, busque atención médica.
- Si ingiere cristal líquido:
Enjuague su boca completamente con agua. Beba abundante cantidad de agua e induzca el vómito. A continuación, busque asistencia médica de inmediato.

La etiqueta de su herramienta puede incluir los siguientes símbolos:

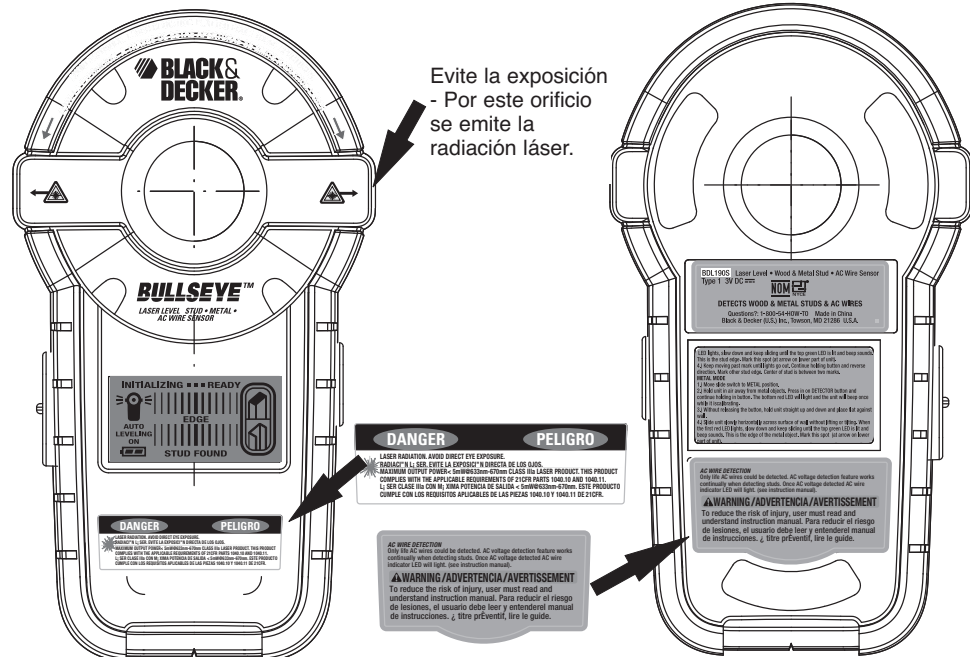
- V voltios
- mW..... milivatios
- nm longitud de onda en nanómetros
- IIIa.....láser Clase IIIa

⚠ advertencia de cable de CA

CARACTERÍSTICAS

- A.) Botón de encendido/apagado del láser
- B.) Botón de encendido/apagado del detector
- C.) LED indicador de cable de CA
- D.) Pantalla LCD
- E.) Accesorio para la pared – Cono para colgar (ojo de la cerradura)
- F.) Accesorio para la pared – Clavija para madera contrachapada
- G.) Líneas de láser autonivelante
- H.) Compartimiento de la batería Cubierta (parte posterior de la unidad)

Para su comodidad y seguridad, el láser incluye las siguientes etiquetas:



Instalación de la batería

Asegúrese de que el interruptor de encendido/apagado del láser (A) esté en la posición de apagado girando el botón del láser a la posición "O". Retire la tapa del compartimiento de las baterías (H). Inserte 2 baterías alcalinas AA de 1,5 voltios nuevas y asegúrese de que los terminales (+) y (-) coincidan correctamente. Vuelva a colocar la tapa del compartimiento de las baterías.

⚠ ADVERTENCIA: Las baterías pueden explotar o perder, y pueden provocar lesiones o incendios. Para disminuir este riesgo:

- Siga cuidadosamente todas las instrucciones y las advertencias de la etiqueta y el envase de la batería. • Inserte siempre las baterías correctamente respetando la polaridad (+ y -) indicada en la batería y en el equipo. • No haga puente con los terminales de la batería. • No cargue las baterías. • No mezcle baterías nuevas y viejas. Reemplácelas todas al mismo tiempo por baterías nuevas de la misma marca y tipo. • Retire todas las baterías agotadas inmediatamente y elimínelas de acuerdo con los códigos locales. • No arroje las baterías al fuego. • Mantenga las baterías fuera del alcance de los niños. • Retire las baterías si el aparato no se va a usar durante varios meses.

“Transportar baterías puede provocar incendios si los terminales de la batería entran en contacto accidentalmente con materiales conductores como llaves, monedas, herramientas de mano u objetos similares. Las Normas para Materiales Peligrosos del Departamento de Transporte de Estados Unidos (HMR) en realidad prohíben transportar baterías comercialmente o en aviones (es decir, empacadas en valijas y equipaje de mano) A MENOS que estén protegidas correctamente de cortocircuitos. Por lo tanto, cuando transporte baterías individuales, asegúrese de que los terminales de la batería están protegidos y bien aislados de materiales que puedan hacer contacto y causar un cortocircuito”.

INDICADOR DE BATERÍA BAJA

El indicador del nivel de energía de la batería se muestra en la esquina inferior izquierda de la pantalla.

Instrucciones de operación

NOTA: La detección de elementos para clavos de madera y metal y cables de CA se ubica en la parte inferior de la unidad.

DETECCIÓN DE CLAVOS

Para la detección de clavos a través de madera contrachapada de 19 mm (3/4 pulgada) de espesor.

- 1). Sujete la unidad hacia arriba y abajo, y colóquela en forma horizontal contra la pared como se muestra en la **Figura 1**.
- 2). Mantenga presionado el botón de encendido/apagado del detector (B). La pantalla LCD (D) se encenderá y el detector comenzará el proceso de inicialización.
- 3). Aparecerá un mensaje de LISTO en la pantalla LCD y la unidad emitirá un sonido una vez para indicar que está calibrada y lista para la detección.
- 4). Deslice la unidad lentamente (**Figura 2**) en forma horizontal por sobre la superficie de la pared sin levantar o inclinar. Cuando aparezca el mensaje CLAVO DETECTADO en la pantalla LCD, disminuya la velocidad y siga deslizando hasta que aparezca el mensaje BORDE y se emita un sonido como se muestra en la **Figura 3**. Éste es el borde del clavo. Marque este punto (con una flecha en la parte inferior de la unidad).
- 5). Mantenga la marca anterior en movimiento hasta que desaparezcan los mensajes BORDE y CLAVO DETECTADO.
- 6). Continúe sujetando el botón detector y la dirección de reversa.
- 7). Encuentre y marque otro borde del clavo, siguiendo el paso 4).
- 8). El centro del clavo está entre las marcas.

DETECCIÓN DE CABLES DE CA

Para la detección de CA de hasta 38 mm (1 1/2 pulgada) de la superficie. El detector detecta voltaje de CA e identificará cables con corriente eléctrica solamente. La función de detección de voltaje de CA trabaja continuamente al detectar clavos. Ayuda en la identificación cuando el detector está cerca de cableado de CA con corriente eléctrica y se oprimió el botón del detector (B). Una vez que el voltaje de CA ha sido detectado, el LED indicador de cable de CA (C) se encenderá.

Si la unidad está calibrada cerca del cable de CA, puede disminuir la sensibilidad del detector de cableado de CA. La carga estática puede esparcir la detección a 30,4 mm (12 pulgadas) en ambos lados del cable.

⚠ ADVERTENCIA: En ocasiones, es posible que este producto no detecte tuberías ni cableado eléctrico. Tenga precaución al cortar o taladrar en áreas donde es posible que haya tuberías o cableado oculto. El detector no reconocerá cables con corriente eléctrica dentro de tuberías o conductos metálicos, detrás de revestimientos de pared metálicos o

detrás de madera contrachapada u otros materiales compactos.

Tenga precaución si el área tiene madera contrachapada, respaldo de madera espesa detrás de madera contrachapada o más espesa que las paredes normales.

⚠ ADVERTENCIA: Siempre desconecte la energía al trabajar cerca de cableado eléctrico. De lo contrario, puede provocar descargas eléctricas.

LÍNEAS DE LÁSER AUTONIVELANTES

Operación del láser: Coloque la unidad en posición horizontal contra la pared como se muestra en la **Figura 1**. Mueva el botón de encendido/apagado del láser (A) a la posición "I" para activar las líneas de láser horizontales autonivelantes.

SUJECIÓN EN SUPERFICIES DE MADERA CONTRACHAPADA SOLAMENTE

Operación sin manos del láser: Para sujetar la unidad en una pared, retire la tapa de protección anaranjada de la clavija de madera contrachapada (F) y guárdela en el cono como se muestra en la **Figura 4**. Presione la clavija dentro de la madera contrachapada (**Figura 5**). Al presionar la clavija en la madera contrachapada, asegúrese de que esté derecha y asentada con firmeza. Sujete el láser en el cono como se muestra en la **Figura 6** y compruebe para asegurarse de que la unidad esté fija en la pared. La **Figura 7** describe una aplicación típica para el láser cuando éste está montado en la pared.

⚠ PRECAUCIÓN: La clavija es filosa y debe sujetarse con precaución. La clavija de madera contrachapada siempre debe presionarse manualmente y nunca con un martillo. Vuelva a colocar la tapa de protección después de utilizarla.

NOTA: La clavija solamente debe utilizarse en madera contrachapada, NO sobre otras superficies como yeso enlucido.

SUJECIÓN EN OTRAS SUPERFICIES

Operación sin manos del láser: Para las superficies distintas de la madera contrachapada, el cono de sujeción (ojo de la cerradura) (E) se puede utilizar con un clavo estándar o un tornillo en un orificio pretaladrado. Para utilizar el cono de sujeción del ojo de la cerradura, colóquelo sobre un clavo o tornillo en una superficie vertical donde la parte estrecha del orificio esté hacia arriba. Presione el láser en el cono de sujeción hasta que se fije en su lugar. Para retirar el láser, levántelo levemente y hale hacia afuera. La unidad también puede utilizarse con el cono de sujeción adjunto a la parte posterior y luego, sujetar la unidad en el clavo o el tornillo. Asegúrese de que esté derecho y asentado con firmeza en el cono y de que la unidad esté fija en la pared.

⚠ PELIGRO: Radiación del láser: evite la exposición directa con los ojos.

Consejos útiles

- Si la luz del láser se atenúa o ya no está visible cuando el interruptor está en la posición de encendido, compruebe o cambie la batería.
- Las líneas de láser sólo se nivelan en la pared contra la que se sujeta o cuelga la unidad. La línea corta visible en cualquier pared adyacente no se nivela.
- La unidad de láser es una herramienta para utilizar en la pared y sólo genera las líneas de láser cuando se sujeta contra una superficie horizontal.
- La unidad de láser viene con un bloqueo de péndulo que detiene su movimiento cuando el interruptor de encendido/apagado del láser se mueve a la posición de apagado.
- Si el interruptor de encendido/apagado del láser se coloca a mitad de la posición de encendido, las líneas de láser pueden estar encendidas mientras el bloqueo del péndulo aún está accionado.
- Sujete el detector de clavos hacia arriba y hacia abajo.
- Dado que los clavos están normalmente a una distancia de 16 ó 24 pulgadas y tienen un ancho de 1 1/2 pulgada, tenga en cuenta cualquier objeto más cercano o de un ancho diferente. Las puertas y las ventanas están construidas con clavos y cabeceras que están más cerca entre sí.
- Al utilizar la unidad sobre una pared de estuco, coloque una pieza de cartón sobre la superficie para ayudar a proporcionar un movimiento uniforme por la pared.
- **Evite los materiales que tienen una densidad inconsistente como:**
 - Alfombras y almohadillas
 - Baldosas de cerámica para pisos
 - Empapelados que contengan papel o fibras metálicas. Generalmente, en superficies cubiertas con empapelados o telas normales, detectará sin diferencias en la función.
 - Paredes con pintura fresca y que aún están húmedas.
 - Yeso enlucido de espesor excesivo y listones.
 - Papel mural que contenga láminas o fibras metálicas. El funcionamiento del dispositivo no se verá generalmente afectado en la exploración de superficies cubiertas con papel mural regular o tela.
 - Paredes recién pintadas aún húmedas.
 - Paredes de listones y yeso excesivamente gruesas.

DETECCIÓN DE PROBLEMAS

Problema	Causa posible	Solución
<ul style="list-style-type: none"> • La unidad no detecta ningún clavo en el área de búsqueda. 	<ul style="list-style-type: none"> • Batería agotada. • No hay objetos para detectar en el área. • Modo de prueba. Puede haber sido calibrado sobre un clavo. 	<ul style="list-style-type: none"> • Reemplace con una batería nueva. • Comience nuevamente moviendo más lejos a ambos lados.
<ul style="list-style-type: none"> • La unidad encontró demasiados clavos en el área de búsqueda. 	<ul style="list-style-type: none"> • Detecta otros objetos además de los clavos. • Posiblemente haya cableado eléctrico o tuberías de metal o plástico cerca o tocando a la superficie posterior de la pared. 	<ul style="list-style-type: none"> • Dado que los clavos están normalmente a una distancia de 16 ó 24 pulgadas y tienen un ancho de 1 1/2 pulgada, tenga en cuenta cualquier objeto que esté más cerca o que tenga un ancho diferente.
<ul style="list-style-type: none"> • El láser no se proyecta sobre la pared. 	<ul style="list-style-type: none"> • Batería agotada. • El rango de autonivelación de la unidad es +/-5°, si la unidad no se sujeta dentro de los 5° verticales, las líneas de láser no se proyectarán en la pared. 	<ul style="list-style-type: none"> • Reemplace con una batería nueva. • Asegúrese de que la unidad esté lo más derecha y hacia abajo que sea posible.
<ul style="list-style-type: none"> • El láser se proyecta en la pared, pero las líneas no se nivelan. 	<ul style="list-style-type: none"> • La pared en la que se monta o sujeta la unidad debe estar dentro de +/-5° verticales para que el mecanismo autonivelante funcione correctamente. Si se excede esto, las líneas se proyectarán, pero posiblemente no se nivelen. • Se debe oprimir el interruptor de encendido/apagado del láser a su posición de encendido máxima. 	<ul style="list-style-type: none"> • Utilice la unidad contra las paredes verticales únicamente, las líneas no se nivelarán en paredes inclinadas u otras superficies no verticales. • Asegúrese de que el interruptor de encendido/apagado del láser esté en la posición de encendido máxima.
<ul style="list-style-type: none"> • Sospecha que existen cables eléctricos, pero no detecta ninguno. 	<ul style="list-style-type: none"> • Batería agotada. • Si los cables están protegidos detrás de revestimientos metálicos de la pared o en conductos metálicos, el detector no podrá detectarlos. • Los cables posiblemente no tengan "corriente eléctrica". • Los cables pueden estar demasiado profundos para poder detectarlos. • Tenga precaución si el área tiene madera contrachapada, respaldo de madera espesa detrás de madera contrachapada o más espesa que las paredes normales. 	<ul style="list-style-type: none"> • Reemplace con una batería nueva. • Si un interruptor controla un tomacorriente, asegúrese de que esté ENCENDIDO para la detección.

⚠️ ADVERTENCIA: Siempre desconecte la energía al trabajar cerca de cableado eléctrico.

Almacenamiento

Siempre guarde este producto adentro y en su caja de protección.

Mantenimiento

Para limpiar la herramienta, sólo utilice jabón suave y un paño húmedo. Nunca permita que penetre líquido dentro de la herramienta y nunca sumerja ninguna de las piezas en un medio líquido.

IMPORTANTE: Para garantizar la SEGURIDAD y CONFIABILIDAD del producto, las reparaciones, el mantenimiento y los ajustes (los que no estén enumerados en este manual) se deben realizar en los centros de mantenimiento autorizados o en otras organizaciones de mantenimiento calificadas, utilizando siempre piezas de repuesto idénticas.

Accesorios

Los accesorios que se recomiendan para la herramienta están disponibles en su distribuidor local o en el centro de mantenimiento autorizado. Si necesita ayuda con respecto a los accesorios, llame al **(55)5326-7100**.

⚠️ ADVERTENCIA: El uso de accesorios no recomendados para utilizar con esta herramienta puede resultar peligroso.

INFORMACIÓN DE MANTENIMIENTO

Todos los Centros de servicio de Black & Decker cuentan con personal altamente capacitado dispuesto a brindar a todos los clientes un servicio eficiente y confiable en la reparación de herramientas eléctricas. Si necesita consejo técnico, reparaciones o piezas de repuesto originales de fábrica, póngase en contacto con el centro de servicio de Black & Decker más cercano a su domicilio. Para ubicar su centro de servicio local, consulte la sección “Herramientas eléctricas” (Tools-Electric) de las páginas amarillas, llame al **1-800-544-6986** o visite nuestro sitio **www.blackanddecker.com**.

GARANTÍA COMPLETA DE DOS AÑOS PARA USO EN EL HOGAR

Black & Decker (Estados Unidos) Inc. ofrece una garantía de dos años por cualquier defecto del material o de fabricación de este producto. El producto defectuoso se reparará o reemplazará sin costo alguno de dos maneras.

La primera opción, el reemplazo, es devolver el producto al comercio donde se adquirió (siempre y cuando se trate de un comercio participante). Las devoluciones deben realizarse conforme a la política de devolución del comercio (generalmente, entre 30 y 90 días posteriores a la venta). Le pueden solicitar comprobante de compra. Consulte en el comercio acerca de la política especial sobre devoluciones una vez excedido el plazo establecido.

La segunda opción es llevar o enviar el producto (con flete pago) a un Centro de servicio propio o autorizado de Black & Decker para su reparación o reemplazo según nuestro criterio. Le pueden solicitar el comprobante de compra. Los Centros de servicio autorizados y de propiedad de Black & Decker se detallan en la sección “Herramientas eléctricas” (Tools-Electric) de las páginas amarillas de la guía telefónica. Esta garantía no se extiende a los accesorios. Esta garantía le concede derechos legales específicos; usted puede tener otros derechos que pueden variar según el estado o la provincia. Si tiene alguna pregunta, comuníquese con el gerente del Centro de servicio de Black & Decker de su zona. Este producto no está diseñado para uso comercial.

AMÉRICA LATINA: esta garantía no se aplica a los productos que se venden en América Latina. Para los productos que se venden en América Latina, debe consultar la información de la garantía específica del país que viene en el empaque, llamar a la compañía local o visitar el sitio Web a fin de obtener esa información.

ESPECIFICACIONES TÉCNICAS DEL NIVEL DE LÁSER:

Longitud de ondas de diodo del láser:	650 ± 5 nm (color rojo)
Clase de láser:	Clase IIIa
Rango de funcionamiento:	Hasta 20 pies (depende de las condiciones de luz)
Precisión de la nivelación:	3 mm (±1/8 pulgada) a 3 m (10 pies)
Escala de autonivelación:	±4.5°
Tiempo de configuración de las líneas de autonivelación:	< 5 segundos
Baterías:	2 baterías alcalinas AA (incluidas)
Voltaje:	3 voltios
Temperatura de funcionamiento:	10°C (50°F) - 40°C (104°F)

· GARANTÍA BLACK & DECKER · BLACK & DECKER WARRANTY · SOLAMENTE PARA PROPOSITOS DE MEXICO

Distributor Name · **Sello firma del distribuidor**

Date of purchase · **Fecha de compra** **Invoice No. · No. de factura**

PRODUCT INFORMATION · IDENTIFICACIÓN DEL PRODUCTO

Cat. No. · **Catalogo ó Modelo** **Serial Number · No. de serie**

Name · **Nombre** **Last Name · Apellido**

Address · **Dirección**

City · **Ciudad** **State · Estado**

Postal Code · **Código Postal** **Country · País**

Telephone · **No. Teléfono**

2 AÑOS DE GARANTIA

Este producto cuenta con dos años de garantía a partir de la fecha de compra contra cualquier defecto de su funcionamiento, así como cualquier falla debido a materiales empleados para su fabricación ó mano de obra defectuosa.

Nuestra garantía incluye la reparación o reposición del producto y/o componentes sin cargo alguno para el cliente incluyendo la mano de obra, esta incluye los gastos de trasportación erogados para lograr cumplimiento de esta garantía en los domicilios diversos señalados.

Para hacer efectiva esta garantía deberá presentar su herramienta y esta póliza sellada por el establecimiento comercial donde se adquirió el producto.

Nos comprometemos a entregar el producto en un lapso no mayor a 30 días hábiles contados a partir de la fecha de recepción del mismo en nuestros talleres de servicio autorizados.

ESTA GARANTIA NO APLICA CUANDO:

El producto se hubiese utilizado en condiciones distintas a las normales.

El producto no hubiese sido operado de acuerdo con el instructivo de uso que se acompaña.

El producto hubiese sido alterado o reparado por personas no autorizadas por nosotros

Importador: Black & Decker S.A. de .C.V
Bosque de Cidros Acceso Radiatas No.42
3ra.Seccion de Bosques de las lomas
C.P.05120, Mexico, D.F. Tel: (01 55) 5326 7100

SOLAMENTE PARA PROPOSITOS DE MEXICO

Grupo Realsa en herramientas, S.A. de C.V.

Súper Manzana 69 MZ.01 Lote 30
(Av. Torcasita)
Col. Puerto Juárez
Cancún, Quintana Roo
Tel. 01 998 884 72 27

Ferre Pat de Puebla, S.A. de C.V.

16 de Septiembre No. 6149
Col. El Cerrito
Puebla, Puebla
Tel. 01 222 264 12 12

Ferre Pat de Puebla, S.A. de C.V.

Ejército Mexicano No. 15
Col. Ejido 1ro. de Mayo
Boca del Rio, Veracruz
Tel. 01 229 167 89 89

Servicio de Fabrica Black & Decker, S.A. de C.V.

Lázaro Cardenas No. 18
Col. Obrera
Distrito Federal
Tel. 55 88 95 02

Representaciones Industriales Robles, S.A. de C.V.

Tezozomoc No. 89
Col. La Preciosa
Distrito Federal
Tel. 55 61 86 82

Gpo. Comercial de Htas. y Refacciones de Occidente, S.A. de C.V.

Av. La Paz No. 1779
Col. Americana, S. Juaréz
Guadalajara, Jalisco
Tel. 01 33 38 25 69 78

PARA OTRAS LOCALIDADES LLAME AL 01 800 847 2309 o 01 800 847 2312.

Vea “Herramientas eléctricas (Tools-Electric)” – Páginas amarillas – para Servicio y ventas



BLACK & DECKER S.A. DE C.V.
BOSQUES DE CIDROS ACCESO RADIATAS NO. 42
COL. BOSQUES DE LAS LOMAS.
05120 MÉXICO, D.F.
TEL. (01 55) 5326 7100
01 800 847 2309/01 800 847 2312

Epecificaciones

BDL190S

Tensión de alimentación 3V