

Hotel / Motel Technical Specification

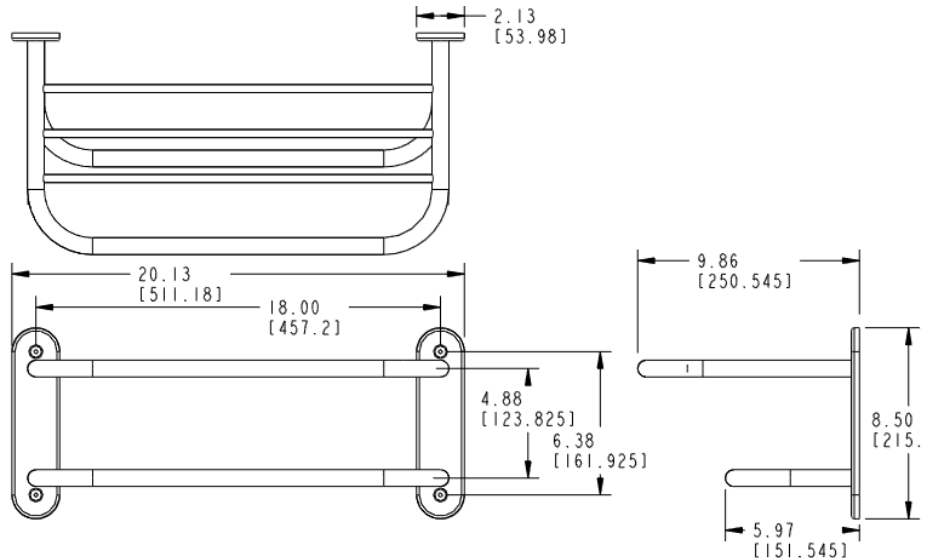
Towel Shelf

5207

Stock Numbers:

- q 5207-181CH – 18” Decorative Shelf with Single Towel Bar Polished Chrome Finish
- q 5207-241CH – 24” Decorative Shelf with Single Towel Bar Polished Chrome Finish

Dimensions:



Materials:

ALL CHROME BATH HARDWARE IS TRIPLE PLATED WITH COPPER, NICKEL AND CHROMIUM FOR LONG LASTING BEAUTY, AND MEET ASTM-B86 STANDARDS.

Towel Shelf mounting flange is constructed of 17 gauge stamped steel. Shelf tubing and towel bar tubing is 3/4" O.D. steel tubing. Escutcheon is stamped steel. Tubing and escutcheon have a triple plated polished chrome finish.

Installation Instructions:

Assemble the towel bar and shelf to the wall flanges using the four allen screws and allen wrench (provided). Then mount the wall flange at desired location using four 1 1/2" flathead nickel plated screws and plastic anchors, or four 3" toggle bolts (both provided).

Note: Wood blocking is preferable behind all wall surfaces. If wood blocking is not available, the following optional fasteners are suggested: Tile/Masonry – Plastic or lead anchors; Plaster/Drywall – Toggle bolts.

Stock Number: _____ **Decorative Towel Shelf w/ Bar**
By CSI Bath Furnishings

