

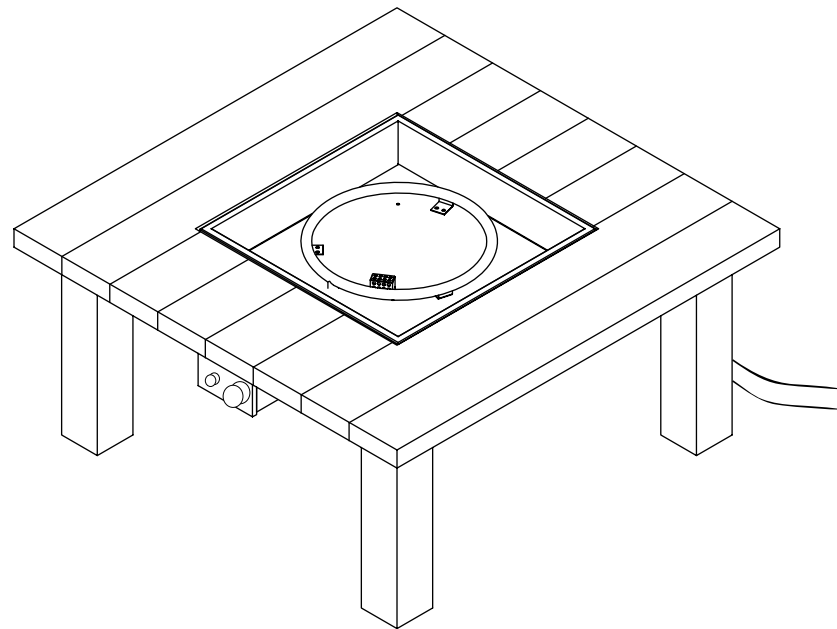


Garden Treasures® is a registered trademark of LF, LLC. All rights reserved.

ITEM #0574297

GAS FIRE TABLE

MODEL #66668



	DANGER If you smell gas: 1. Shut off gas to the appliance. 2. Extinguish any open flame. 3. If odor continues, keep away from the appliance and immediately call your gas supplier or fire department.
	WARNING Do not store or use gasoline or other flammable vapors and liquids in the vicinity of this or any other appliance. An LP-cylinder not connected for use shall not be stored in the vicinity of this or any other appliance.
	WARNING For outdoor use only.



Design certified under ANS Z21.97 - CSA 2.41-(2012) Requirements for Outdoor Gas Fireplaces

	DANGER
	CARBON MONOXIDE HAZARD This appliance can produce carbon monoxide which has no odor. Using it in an enclosed space can kill you. Never use this appliance in an enclosed space such as a camper, tent, car or home.

ATTACH YOUR RECEIPT HERE

Serial Number _____ Purchase Date _____



Questions, problems, missing parts? Before returning to your retailer, call our customer service department at 1-800-643-0067, 8 a.m. - 8 p.m., EST, Monday - Friday.

OPERATING INSTRUCTIONS

Perform leak test in a well-ventilated area outside and where no source of spark can occur. Connect propane gas tank to regulator. Turn the on/off valve at the unit to the 'OFF' position to pressurize the control system. Use a soapy water solution to check all the connections leaks before attempting to light the appliance. If a leak is found or you smell gas, disconnect cylinder and turn valve off and do not use the appliance until repairs can be made.

Before each use, inspect the hose. Replace hose if there are any signs of cutting, wear or abrasion. Please keep gas tank a minimum of 5 feet away from fire table when lit. Observe flame height when lit. Flame height should be a yellow/blue color between 2 to 10 inches high.

To Light

1. Turn the cylinder valve on the gas tank counterclockwise to open the gas supply.
2. Press and hold the electric ignitor (H).
3. Push and turn the control knob (G) counterclockwise to the "low" position.
4. Keep pushing the control knob (G) to light the burner.
5. After ignition, release the electric ignitor (H).
6. Continue to push and hold the control knob for 45 seconds.
7. If ignition does not immediately take place in seconds, push and turn the control knob (G) clockwise to "off". Wait 5 minutes, then repeat the lighting procedure as above.

To Extinguish

1. Push and turn the control knob (G) clockwise to the "OFF" position.
2. Turn the cylinder valve on the gas tank to close the gas supply and disconnect the propane cylinder.

CARE AND MAINTENANCE

- Disconnect propane gas tank from appliance before performing any maintenance.
- Store the fire table in a cool dry place away from direct sunlight.
- The propane cylinder must be disconnected and removed from the fire table before the appliance can be stored indoors.
- Make sure both the gas and the fire table are turned off before changing the battery. Please refer to the process of installing the battery.
- Use manufacturer approved or supplied replacement parts and accessories only. Otherwise may void the warranty of this product and result in a hazardous condition.
- Keep the fire table free and clear of combustible materials.
- Visually inspect burner for obstructions. Keep fireplace free and clear from debris.
- After the burner and lava rocks are completely cooled down, use a soft brush to get rid of the mild stains, loose dirt and soil. Wipe with a soft cloth.
- Cover fire table with PVC cover (G) when not in use.
- Battery Replacement: Use AAA alkaline batteries.