

***One Cover Handles GFCI, Single, Duplex,
or Switch Configurations***

Red•Dot®

Code Keeper®
Universal
While-In-Use
Covers



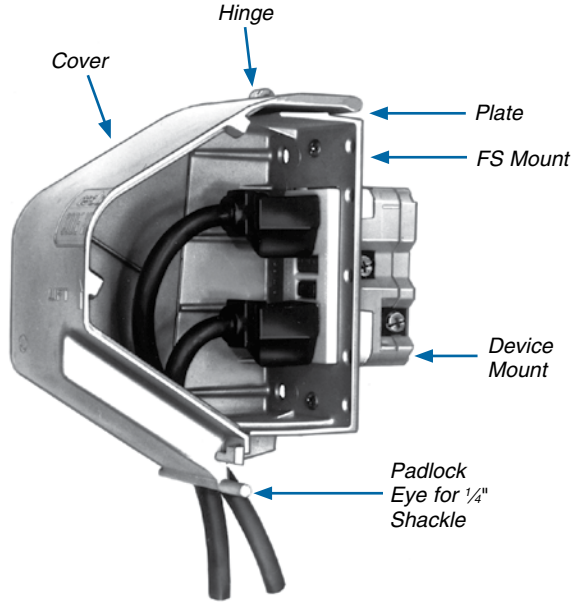


Red•Dot®

Red Dot® Code Keeper® Universal While-In-Use Covers

One Cover Handles GFCI, Single, Duplex, or Switch Configurations

Red Dot® Code Keeper® Universal While-in-Use Covers make it easier than ever to comply with National Electrical Code (NEC) requirements for weatherproof while-in-use covers in wet locations. Preconfigured for GFCI — the industry's most common configuration — each cover ships with adapter plates to accommodate single or duplex receptacles and switches. Now contractors can handle any application they encounter without needing dozens of different covers.



CKSUV
Vertical Cover, 2 1/4" Internal Depth

CKMUV
Vertical Cover, 3/4" Internal Depth

CKLSVU*
Vertical Cover, 4 3/4" Internal Depth



CKMU
Horizontal Cover, 3/4" Internal Depth

2CKU
Two-Gang Vertical Cover 4 1/4" Internal Depth"

* For 1.594" to 2.125" round receptacles only.

- Wide range of cover depths and receptacle configurations accommodates almost every common plug and cord size
- Key-hole mounts on back make installation fast and efficient (not available on CKLSVU)
- Combination box or device-mounting design provides flexibility in installation
- Durable latching covers prevent accidental equipment disconnects, reduce tampering and deter theft
- Lockable covers comply with OSHA lockout/tagout requirements
- Clearly visible UL® and CSA markings speed approval by inspectors
- Complies with the National Electrical Code Article 406.8 (B) for unattended in-use plugs in wet locations
- Two adapter plates included with single-gang covers, and four adapter plates included with two-gang covers



Accommodates Multiple Device Configurations (device not included)



GFCI Duplex Single Receptacle Switch

Red Dot® Code Keeper® Universal While-In-Use Covers

Cat. Number	Description	Std. Pkg. Qty.	UPC Number
Single-Gang			
CKSUV	Vertical Cover, 2 1/4" Internal Depth	8	042269-00510
CKMUV	Vertical Cover, 3/4" Internal Depth	6	042269-00466
CKLSVU	Vertical Cover, 4 3/4" Internal Depth	2	042269-00468
CKMU	Horizontal Cover, 3/4" Internal Depth	3	042269-00465
Two-Gang			
2CKU	Vertical Cover, 4 1/4" Internal Depth	2	042269-00467

www.tnb.com

Thomas & Betts

Please ask your Thomas & Betts sales representative for a complete catalog of quality Thomas & Betts electrical products or visit us at www.tnb.com. For customer service, call 1-800-816-7809. For technical questions, call 1-888-862-3289.

Thomas & Betts Corporation
Electrical Division
8155 T&B Boulevard
Memphis, TN 38125
901-252-5000

Thomas & Betts Ltd.
700 Thomas Avenue
Iberville, Québec J2X 2M9
450-347-5318