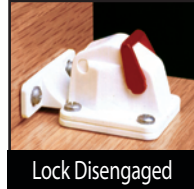


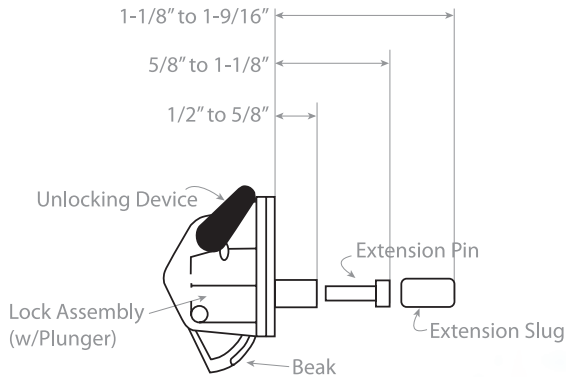
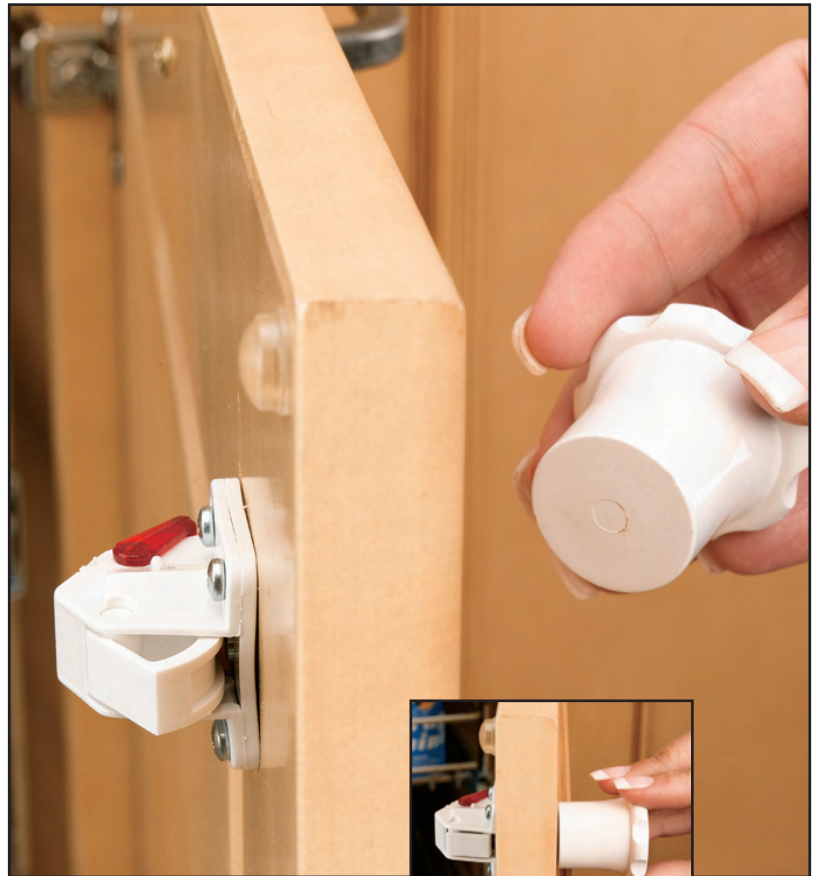
Introducing the revolutionary peace of mind accessory for any parent or grandparent, the Rev-A-Lock. This security device is one-of-a-kind with powerful magnetic locks that can attach to wood, glass, metal, and particleboard cabinets for a guaranteed safeguard from curious little hands. To open the cabinet, simply hold the magnetic key against the cabinet door to disengage the lock. The RL Series also features an unlocking device that allows a disabling of the lock so cabinets can be opened without the key.



Lock Engaged



Lock Disengaged



The lock will install on thickness of 1/2" (13 mm) to 1 1/8" (40 mm) and operate through wood, glass, metal and particle board.



**ADDITIONAL COLORS AVAILABLE VIA SPECIAL ORDER! CONTACT YOUR SALES PERSON FOR MORE INFORMATION!**

PRODUCT #s	DESCRIPTION	FINISH	SET PER CARTON	WEIGHT PER CARTON	SUGGESTED LIST PRICE
<b>Rev-A-Lock Cabinet Security</b>			<b>Components</b>		
RAL-101-1	Starter Set (5 Locks & 2 Keys)	Polymer	1	.6 lbs.	\$57.00
RL-201-1	Lock Assembly	Polymer	25	.06 lbs.	\$8.55
RL-202-1	Magnetic Key	Polymer	25	.08 lbs.	\$12.05

**NOTES:** Components Bulk Packed: All locks include unlocking device & extension slug. Bulk packaging minimum (25) sets per carton. Starter Set is individually packed in UPS carton.

Order online at [www.OVISonline.com/ras](http://www.OVISonline.com/ras)  
 Please Note: Some items shown may not be in stock, but can be special ordered

**OVIS**  
 A Division of WIM Corp. [www.OVISonline.com](http://www.OVISonline.com)  
 ©230 Jack Burlingame Dr.  
 Millwood, WV 25262  
 800-326-6847 Phone  
 800-755-0856 Fax

