



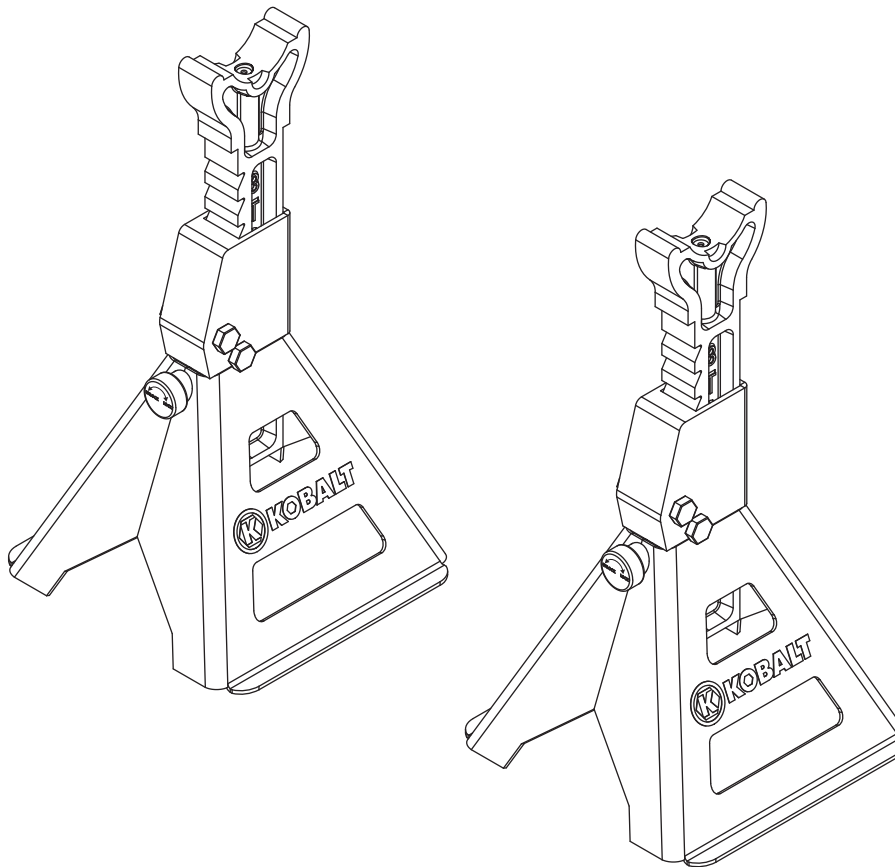
3 TON (6,000 LBS.) JACK STANDS WITH LASER

The K & Design® is a registered trademark of LF, LLC. All Rights Reserved.

MODEL #85009

Français p. 9

Español p. 17



*Meets or Exceeds ANSI/ASME PALD-2005 Parts 4 – Vehicle Support Stands

ATTACH YOUR RECEIPT HERE

Serial Number _____ Purchase Date _____



Questions, problems, missing parts? Before returning to your retailer, call our customer service department at 1-888-3KOBALT, 8 a.m.- 8 p.m., EST, Monday-Friday.

TABLE OF CONTENTS

Safety Information	2
Package Contents	3
Preparation Before Use	4
Assembly Instructions	4
Operation Instructions	5
Care and Maintenance	7
Warranty	8
Replacement Parts	8



SAFETY INFORMATION

Before using this product, read this manual and follow all Safety Rules and Operational Instructions.

Owner and/or Operator Responsibility

The owner and/or operator shall read and comprehend all instructions and warning labels for product and retain them for future reference.

Operation

The owner and/or operator shall have an understanding of the product, its operating characteristics, safety precautions and operating instructions before using the jack stands. Safety information shall be emphasized and understood. If the operator is not fluent in English, the product instructions and safety recommendations shall be read to and discussed with the operator in the operator's native language by the purchaser/owner or his designee, making sure that the operator comprehends their contents.



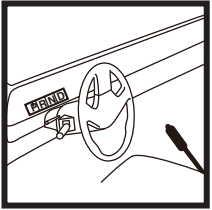
WARNING

Safety Markings

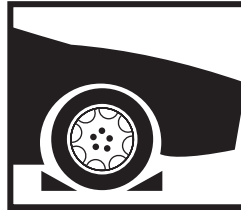
- Study, understand, and follow all instructions, safety precautions and warnings before operating this device
- Do not exceed rated capacity
- Use only on hard, level surfaces
- Center load on saddle
- Use a matched pair of jack stands to support one end of a vehicle only
- Failure to heed instructions, safety precautions or warnings may result in personal injury and/or property damage

Safety Messages

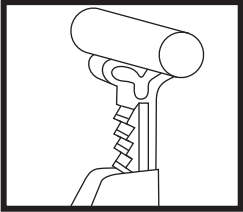
- Jack stands are not to be used to simultaneously support both ends or one side of a vehicle
- No alterations shall be made to this product



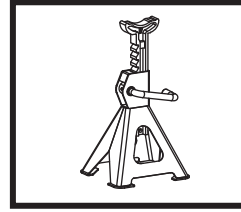
ALWAYS apply parking brake firmly.



ALWAYS place chocks at front and rear of the vehicle's wheel that will NOT be lifted.



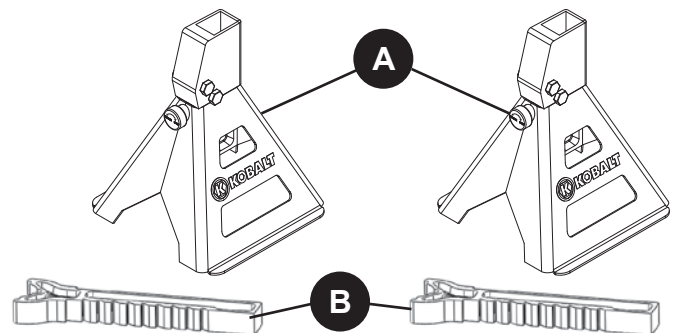
ALWAYS support the weight of the load being lifted with jack stands rated at the proper capacity prior to beginning any vehicle inspection or repairs. NEVER exceed the rated capacity of the jack stand. If rating is exceeded, loss of load may occur. ALWAYS place load at center of jack stand's saddle to ensure stability of load.



ALWAYS use jack stands as supporting devices. Lifting operations must ALWAYS be done using a proper capacity jack.

PACKAGE CONTENTS

PART	DESCRIPTION	QTY
A	Jack Stands	2
B	Saddle & Post	2



WARNING: Do not load jack stands beyond their rated capacity. Never move the jack stands while they are supporting a load.

PREPARATION BEFORE USE

Before using this product, make sure all parts are present. Compare parts with package contents list. If any part is missing or damaged, do not attempt to use the product. Contact customer service.

IMPORTANT: ALWAYS Inspect the jack stands before each use.
Do not use if bent, broken or cracked components are noted.

ASSEMBLY INSTRUCTIONS

Post (A) - Face ratchet edge toward the front of base (C).

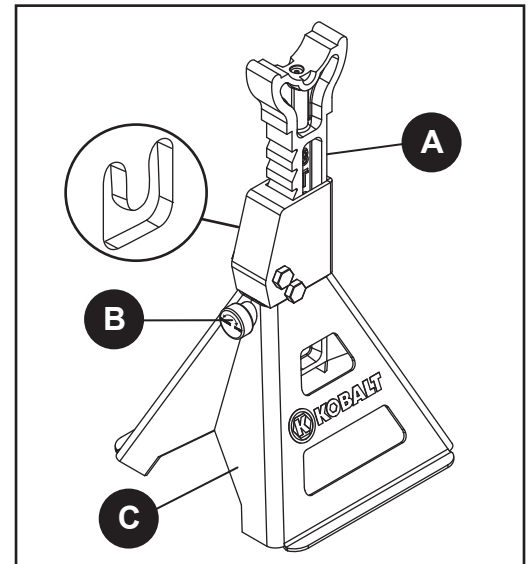
CAUTION: Post is heavy - dropping on hands or feet could result in personal injury.

Rotate the load locking and release knob (B) to the unlock position. Place post into the base, press down on post until post is completely lowered.

CAUTION: Use care when inserting post into base. Keep fingers clear of opening at top of base when inserting post.

On side opposite the lift load locking and release knob, bend the tab in. Make sure tab is completely against base.

Repeat steps above to assemble second jack stand.

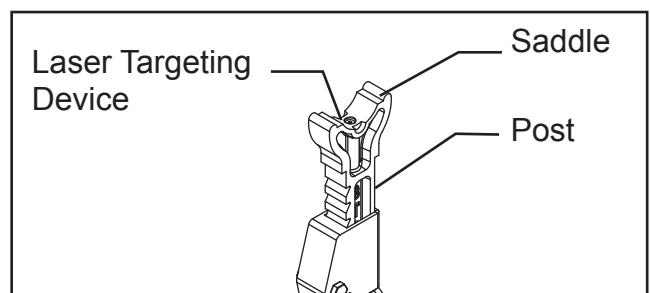
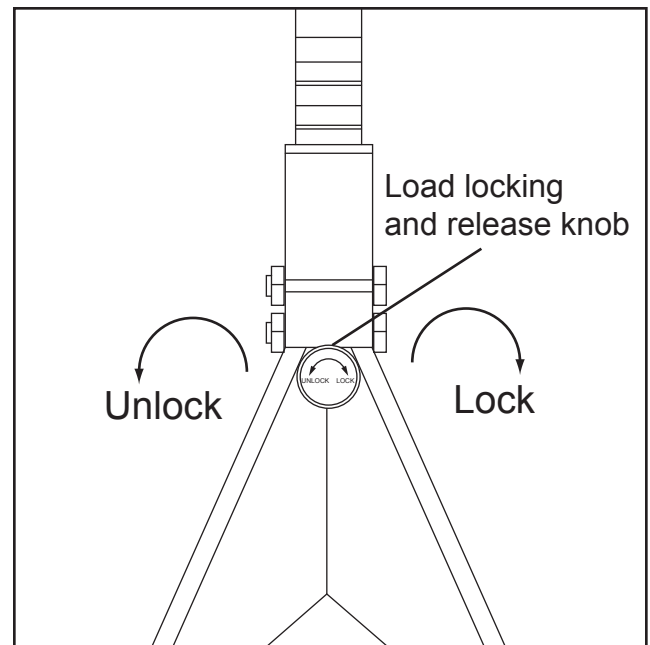


WARNING: Before using the jack stands, check to ensure that the post cannot be pulled out of the base.

OPERATION INSTRUCTIONS

To Position Jack Stands:

1. Place vehicle in PARK (vehicles with automatic transmissions) or in GEAR (vehicles equipped with standard transmissions) and apply emergency brake.
2. Place chocks at front and rear of the vehicle's wheel that will NOT be lifted.
3. Raise vehicle to desired height and ensure it is stable.
4. Rotate load locking and release knob counterclockwise to **UNLOCK** position.
5. Extend post to height of axle or flat reinforced frame surface.
6. Make sure both jack stands are at an equal height and will support the load evenly when the lifting device is removed.
7. **IMPORTANT:** Place jack stands using the laser targeting device to accurately position saddle under the support points specified by the manufacturer. **DO NOT** crawl under the vehicle when placing or removing the stands.
8. Ensure that the base of both jack stands are positioned on a hard even surface.
9. **SLOWLY** lower the load on to the jack stands and check to ensure the load is located on the center portion of the saddle located at the top of the post. If load is not located on the center of the saddle or if load is unstable, re-lift the load and reposition the jack stands to ensure proper positioning before continuing with work or repairs.



WARNING: NEVER place your body under the vehicle after the load has been transferred from the jack stands to your lifting device. Doing so could result in serious bodily injury.

To Remove Jack Stands:

1. Carefully raise vehicle enough to clear the jack stands, making sure the vehicle remains stable.
2. Remove jack stands.
3. Following instructions provided with your lifting device, carefully lower the vehicle to the ground.

To Extend or Retract Post:

1. Extend post by gripping saddle and pulling upward while holding base.
2. To retract post, rotate load locking and release knob counterclockwise to unlock position.
3. Once the load locking and release knob has been rotated to the unlock position, using thumb push on face of knob to release locking mechanism. The post can be adjusted downward while pressing the knob.

OPERATION INSTRUCTIONS (continued)

Laser Targeting Device

This jack stand has been fitted with a laser targeting device. This device is designed to assist the operator to properly position the saddle of the jack stand under the load point on the undercarriage of the vehicle being lifted.

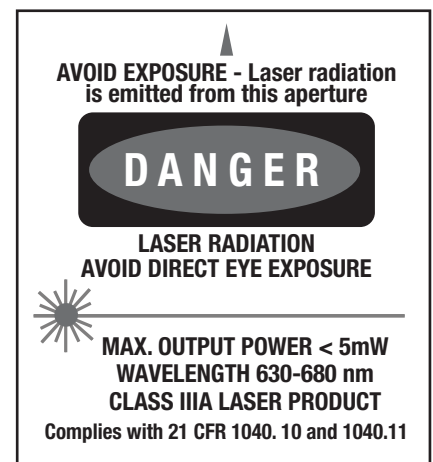


WARNING: Laser targeting devices or pointers are not to be used for entertainment. This device is to be used only as a targeting device to assist the operator when positioning the jack stands under a vehicle. NEVER point laser targeting device at anyone's eyes.

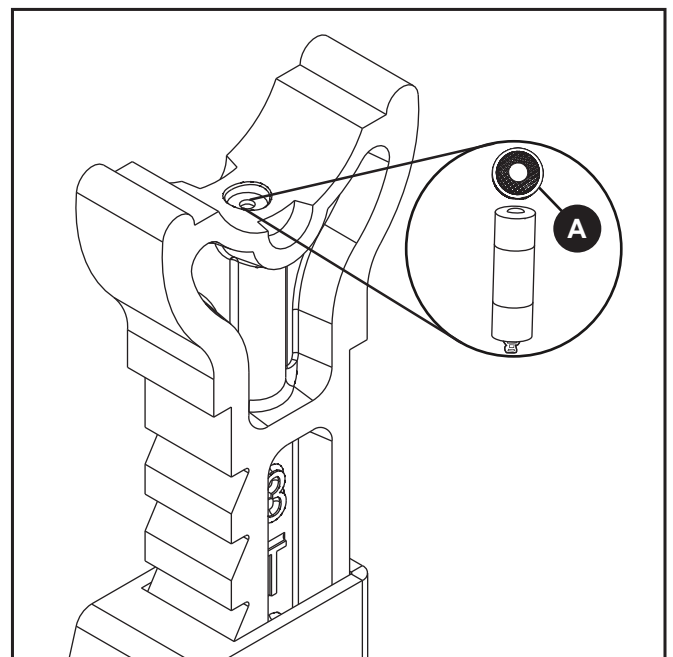
CAUTION: Use of controls or adjustments or performance of procedures other than those specified herein may result in hazardous radiation exposure.

CAUTION: The use of optical instruments with this product will increase eye hazard.

CAUTION: Do not attempt to repair or disassemble the laser. If unqualified persons attempt to repair this laser product, serious injury may result. Any repair required on this laser product should be performed by authorized service center personnel.



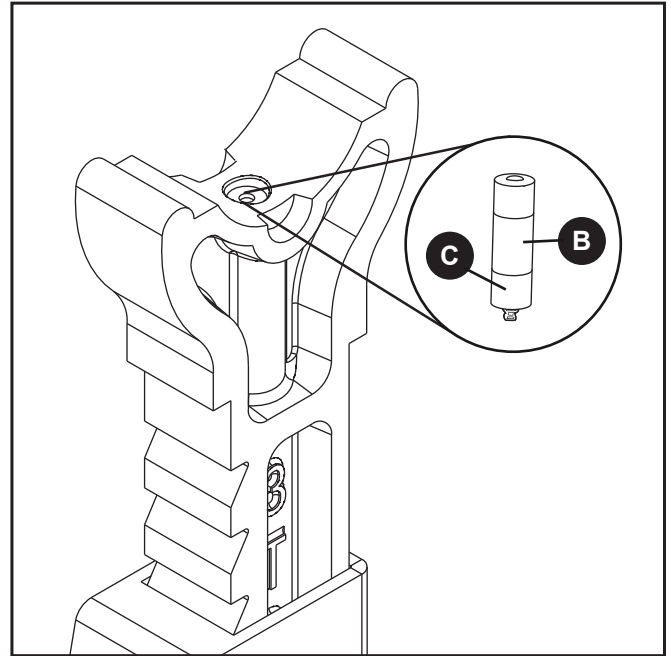
1. To turn laser targeting device "ON", using index finger, push down on rubber retainer cap (A) located in center of the jack stand's saddle.
2. Position jack stand under vehicle to be lifted.
3. A target will be projected onto the undercarriage of vehicle.
4. To turn laser targeting device "OFF", using index finger, push down on rubber retainer cap located in the center of jack stand's saddle.



OPERATION INSTRUCTIONS (continued)

REMOVE/INSTALL BATTERIES IN LASER MODULE (Use LR41 Button Battery, 3ea.)

1. Remove the rubber retainer cap (A) by pulling upward.
2. Remove the laser module (B) from the saddle.
3. While holding body of laser module (B), twist and pull the end cap assembly (C) and remove the old batteries from inside the body.
NOTE: When removing the batteries and installing the new ones, note the orientation of the battery cells and make sure to install the new cells in the same manner.
4. Reinstall the end cap assembly (C) by firmly pushing onto the laser module (B) until fully seated.
5. Replace laser module back into the receptacle in the saddle with switch end down and the laser lens facing up.
6. Replace the rubber retainer cap.



CARE AND MAINTENANCE

Maintenance

The jack stands shall be maintained in accordance with the product's instructions.

1. When jack stand is not in use, post should be in full down position.
2. Always keep jack stand clean. Wipe with cloth and oil regularly.

Inspection

1. Visual inspection shall be made before each use of the jack stands by checking for abnormal conditions, such as cracked welds, and damaged, loose, or missing parts.
2. Other inspections shall be made per product operating instructions.
3. Each jack stand shall be inspected immediately if the device is believed to have been subjected to an abnormal load or shock. It is recommended that this inspection be made by a manufacturer's or supplier's authorized repair facility.

Damaged Equipment

Any jack stand that appears to be damaged in any way, is found to be worn or operates abnormally SHALL BE REMOVED FROM SERVICE.

Attachments and Adaptors

Only attachments supplied by the manufacturer shall be used.

WARRANTY

1-Year Hassle-Free Guarantee. You should never have a problem with your Kobalt tools. However, if you do, return the item to the place of purchase for a free replacement. No questions asked. For more information, call 1-888-3KOBALT, 8 a.m. - 8 p.m., EST, Monday - Friday.

REPLACEMENT PARTS LIST

For replacement parts, please call customer service at 1-888-3KOBALT, 8 a.m.- 8 p.m., EST, Monday-Friday.

PART	DESCRIPTION	QTY
A	Rubber Retainer Cap	1
B	Laser Module	1
	Laser Assembly P/N 87013 (A, B)	
C	Saddle & Post	1
D	Load Locking and Release Knob	1
E	Base	1

