

19 829 Trim, Volume control with cross handle



Description

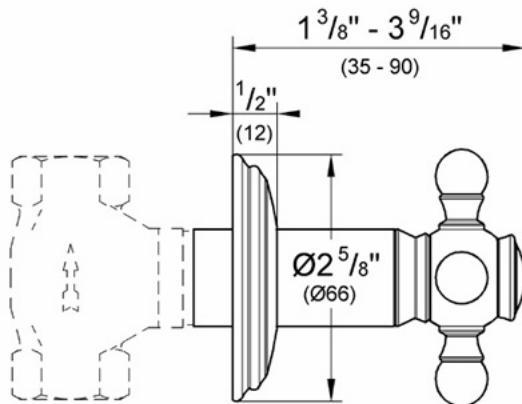
Cross handle
For use with 29 273 (1/2")
or 29 274 (3/4") volume control rough-in valves

Flow Rate

N/A

Code Compliance

ASME/ANSI A112.18.1M



Finish Options

- 19 829 OOO Starlight® Chrome
- 19 829 ROO Infinity Polished Brass
- 19 829 AVO Infinity Satin Nickel
- 19 829 RRO Velour Chrome
- 19 829 BEO Sterling Infinity Finish
- 19 829 ENO Infinity Brushed Nickel
- 19 829 ZBO Oil Rubbed Bronze