



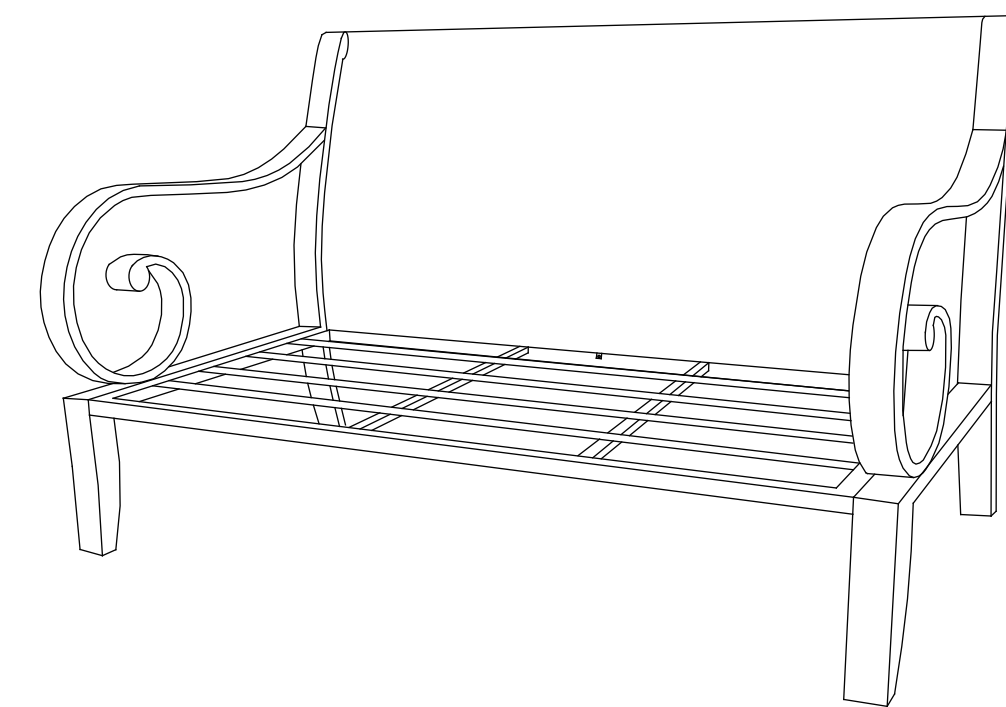
ITEM #0402121

SOFA (FRAME)

MODEL #LG-2156-03-A

Française p. 6

Español p. 11



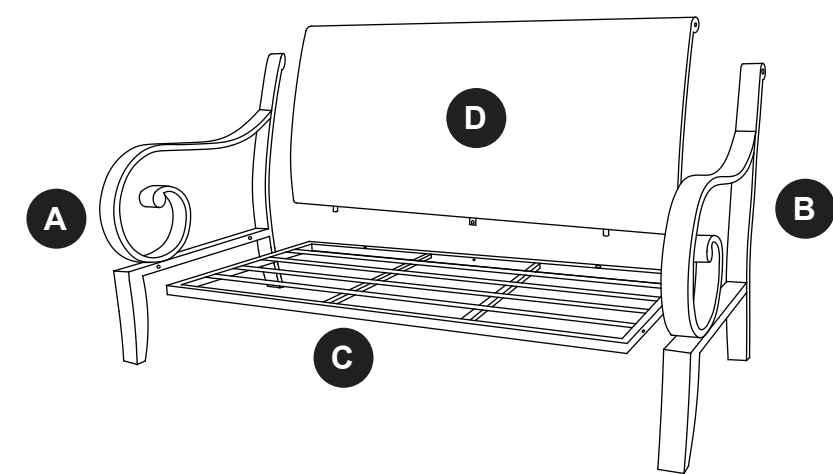
Replacement cushions are available at Lowe's stores or lowes.com.

ATTACH YOUR RECEIPT HERE

Serial Number _____ Purchase Date _____

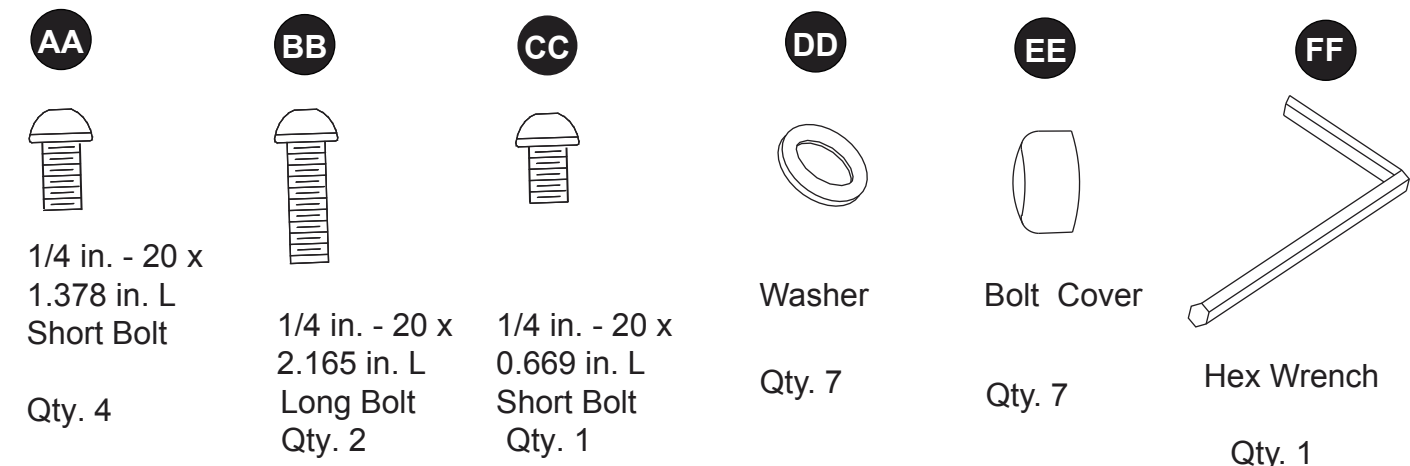
Questions, problems, missing parts? Before returning to your retailer, call our customer service department at 1-866-439-9800, 8:00 a.m. – 8:00 p.m., EST, Monday – Friday.

PACKAGE CONTENTS



PART	DESCRIPTION	QUANTITY
A	Right Arm	1
B	Left Arm	1
C	Seat	1
D	Woven Back Panel	1

HARDWARE CONTENTS (shown actual size)



SAFETY INFORMATION

- Read these instructions carefully before assembly.
- It takes two people to assemble this product.
- Paint on this furniture might peel if it is not handled properly. Handle with care.

PREPARATION

Before beginning assembly of product, make sure all parts are present. Compare parts with package contents list and hardware contents list. If any part is missing or damaged, do not attempt to assemble the product.

Estimated Assembly Time: 30 minutes
Tools Required for Assembly: Hex Wrench (provided)

ASSEMBLY INSTRUCTIONS

1. Put the left arm (B) upside down on a soft surface such as carpet. Assemble the seat (C) to the left arm (B) by inserting short bolt (AA) and washer (DD). Don't tighten the bolts completely.

Hardware Used

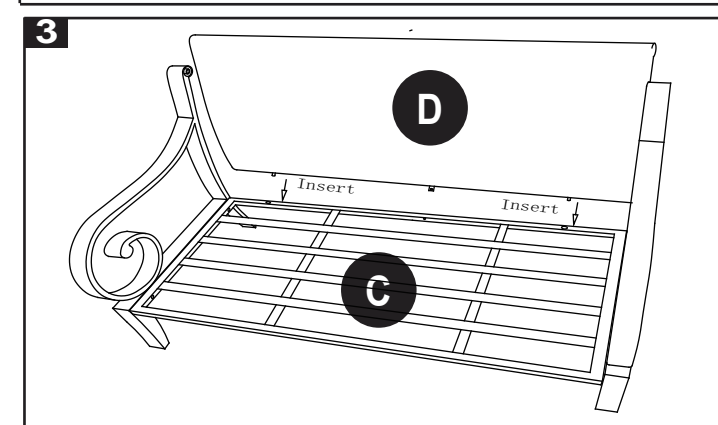
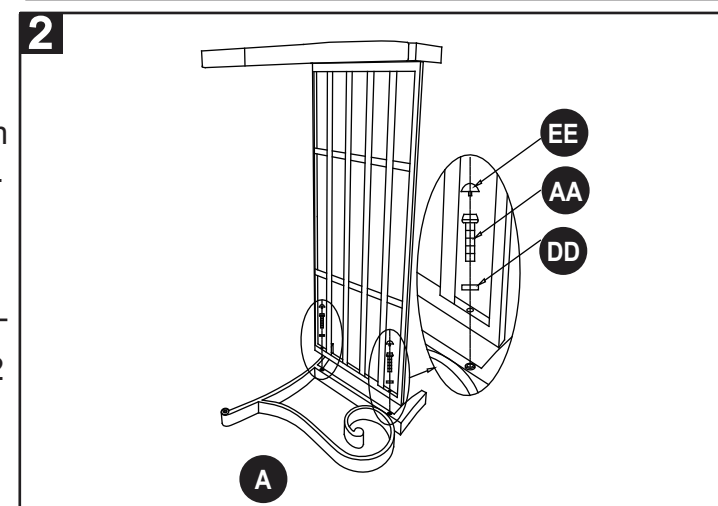
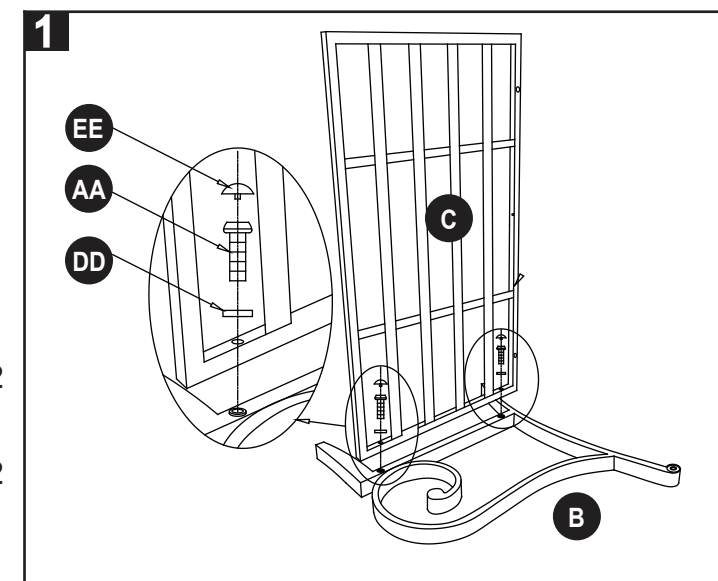
- AA** Short Bolt (1/4 in. - 20 x 1.378 in. L) x 2
- DD** Washer x 2

2. Repeat the above for step for the right arm (A). Again, don't tighten the bolts completely.

Hardware Used

- AA** Short Bolt (1/4 in. - 20 x 1.378 in. L) x 2
- DD** Washer x 2

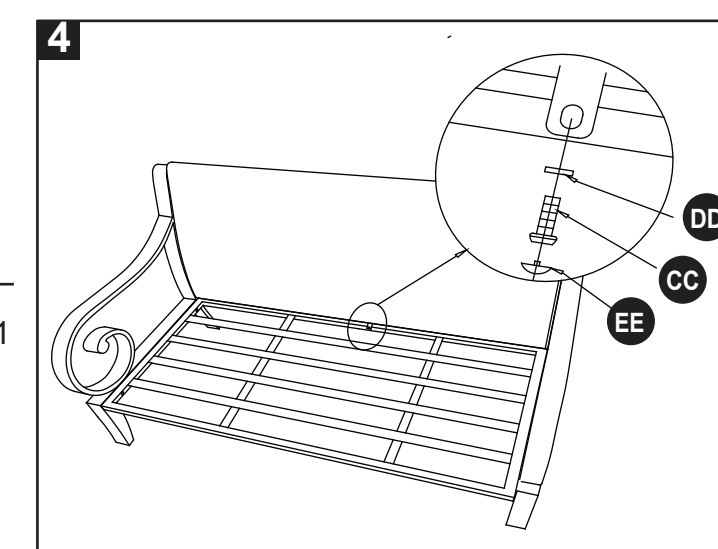
3. Insert the woven back panel (D) into the seat (C).



4. Assemble the woven back panel (D) to the seat (C) by inserting short bolt (CC) and washer (DD). Don't tighten the bolts completely.

Hardware Used

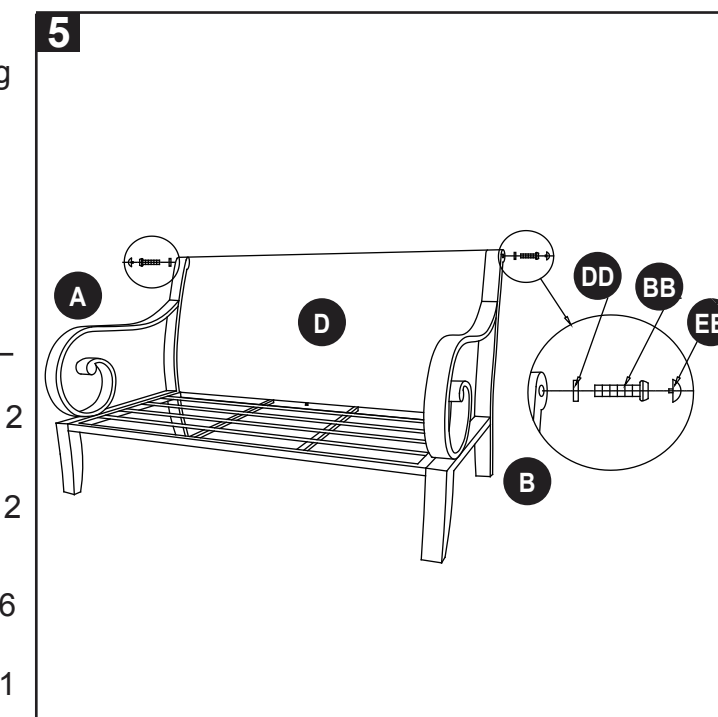
- CC** Short Bolt (1/4 in. - 20 x 0.669 in. L) x 1
- DD** Washer x 1



5. Assemble the woven back panel (D) to the right arm (A) and left arm (B) by inserting long bolt (BB) and washer (DD). Check alignment of all hardware and make corrections if necessary. Fasten all bolts tightly with hex wrench (FF). Cover all bolts with bolt covers (EE).

Hardware Used

- BB** Long Bolt (1/4 in. - 20 x 2.165 in. L) x 2
- DD** Washer x 2
- EE** Bolt Cover x 6
- FF** Hex Wrench x 1



CARE AND MAINTENANCE

- Paint on this furniture might peel if it is not handled properly. Handle with care.
- Clean frame with a solution of warm water and mild soap. Dry completely. Do not use bleach or solvents. Use a fine automotive wax to maintain gloss on non-textured finishes.
- The finish on furniture is formulated and baked on to make it highly resistant to repellents and lotions. However, to avoid discoloration, clean the frame as soon as possible after exposure.
- For best results, clean weave regularly with mild detergent and warm water. Cleaning will help prevent mildew by washing out dirt particles that may become trapped. Shake out excess moisture after rinsing and allow to dry thoroughly before storing.

- Spot wash fabric by sponging briskly with a soapy solution in lukewarm water (do not exceed 100°F). Thoroughly rinse with clean water to remove soap. Allow to air dry completely before storing.

LIMITED WARRANTY

- This limited warranty is extended to the original purchaser and applies to defects in materials and workmanship of your patio furniture, provided your furniture is maintained with care and used only for personal, residential purposes.
- Frames and welds are warranted to be free from defects in material or workmanship for a period of five (5) years.
- Finish is warranted against peeling, cracking or blistering for a period of one (1) year.
- Cushion and throw pillow are warranted to be NO-FADE free from defects in workmanship for a period of five (5) years.
- Exclusions: Items used for commercial, contract or other non-residential purposes; display models; items purchased "as is;" or items damaged due to acts of nature, vandalism, misuse or improper assembly are not covered. Discoloration or fading of the finish or fabrics as a result of exposure to the elements or spills; tabletop breakage; corrosion or rusting of hardware; and damages to frames or welds caused by improper assembly, misuse or natural causes are not covered.

If within the stated warranty period a product is found to be defective in material or workmanship, the purchaser must contact the manufacturer's customer service department at 1-866-439-9800. The manufacturer, at its option, will repair or replace the defective parts.

Warranty is to the original purchaser and is non-transferable. Any replacement of warranted items will be in the original style and color, or a similar style and color if the original is unavailable or has been discontinued. As some states do not allow exclusions or limitations on an implied warranty, the above exclusions and limitations may not apply. This warranty gives you specific rights, and you may also have other rights which vary from state to state.

REPLACEMENT PARTS LIST

For replacement parts, call our customer service department at 1-866-439-9800, 8:00 a.m. – 8:00 p.m., EST, Monday – Friday.

PART	DESCRIPTION	PART#
A	Right Arm	LG2156-3703-SR
B	Left Arm	LG2156-3703-SL
C	Seat	LG2156-3703-CS
D	Woven Back Panel	LG2156-3703-CB
E	Front Foot Glide	LG2156-3703-44
F	Back Foot Glide	LG2156-3703-43
G	Hardware Kit	LG2156-3703-HW

