



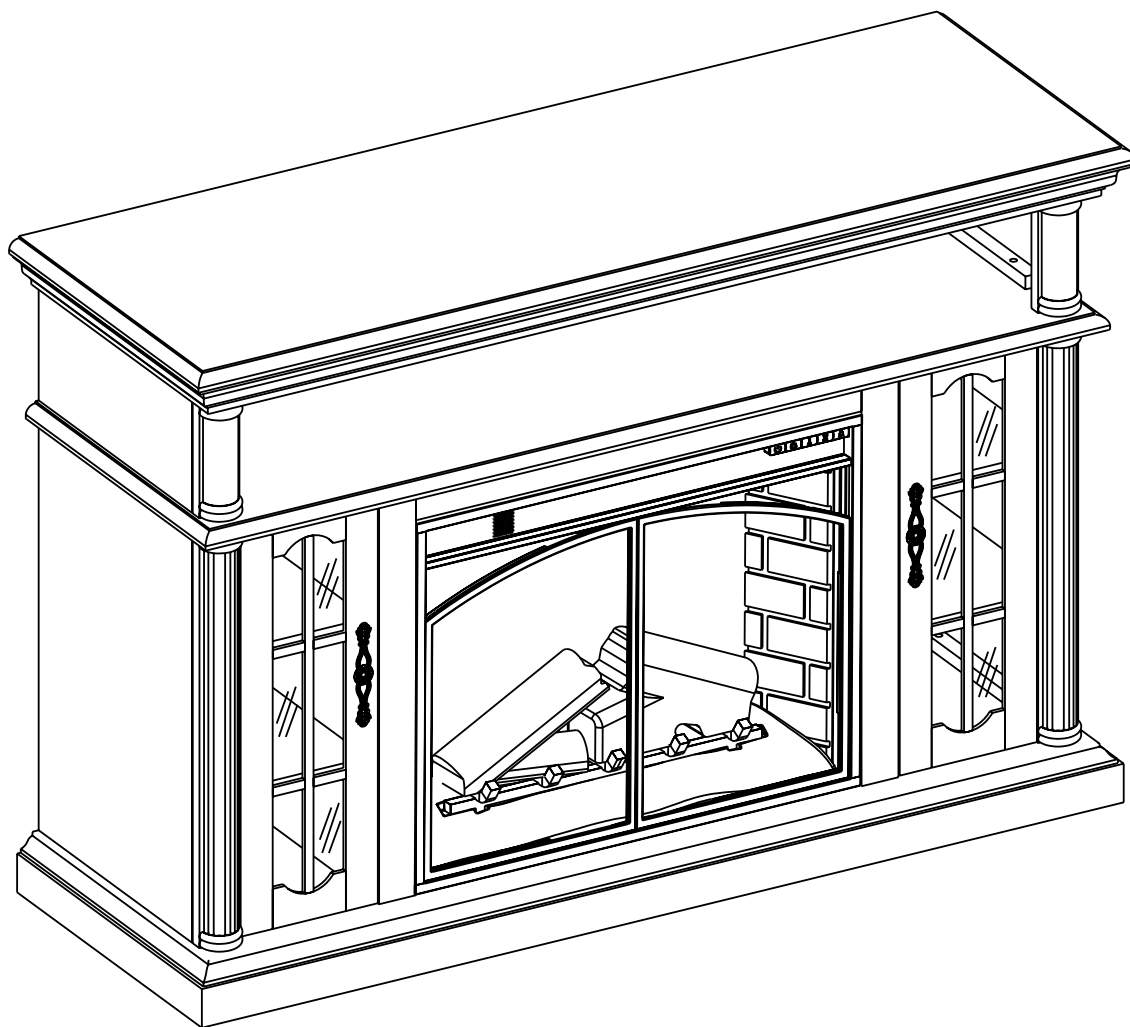
allen + roth® is a registered trademark of LF, LLC. All rights reserved.

ELECTRIC FIREPLACE AND MEDIA MANTEL

MODEL #28MM081PPC

Français p. 15

Español p. 29



Questions, problems, missing parts? Before returning to your retailer, call our customer service department at 1-866-439-9800, 8 a.m. - 8 p.m., EST, Monday - Friday.

TABLE OF CONTENTS

Product Specifications	2
Safety Information	3
Package Contents	6
Hardware Contents.....	7
Preparation	8
Assembly instructions.....	8
Operating Instructions	11
Care and Maintenance	13
Troubleshooting.....	13
Warranty	14
Replacement Parts.....	15

PRODUCT SPECIFICATIONS

VOLTAGE	120 V, 60 Hz
AMPS (with heater)	11.7 Amps
AMPS (without heater)	< 0.1 Amps
WATTS (with heater)	1400 Watts
WATTS (without heater)	< 10 Watts

⚠ SAFETY INFORMATION

Please read and understand this entire manual before attempting to assemble, operate or install the product.

WARNING

- Before assembly, carefully use scissors or utility knife to cut and unwrap all parts. Make sure you do not discard the hardware.

CAUTION

- Use care in assembling your new fireplace. Take your time and use the hardware provided and a quality Phillips head screwdriver. Never overtighten bolts.
- Do not sit on any part of the mantel.
- All panels are labeled left and right as viewed from the front of unit.

⚠ WARNING

To avoid injury from unexpected starting or electrical shock, do not plug the power cord into a source of power during unpacking and assembly. The cord must remain unplugged whenever you are adjusting/assembling the fireplace.

If any part is missing or damaged, do not attempt to use or plug in the power cord until the missing or damaged part is correctly replaced. To avoid electric shock, use only identical replacement parts when servicing double-insulated tools.

When using electrical appliances, always follow basic precautions to reduce the risk of fire, electrical shock, and injury to persons including the following:

1. Read all instructions before using this appliance.
2. This appliance is hot when in use. To avoid burns, do not touch hot surfaces with bare skin. If provided, use handles when moving this appliance. Keep combustible materials, such as furniture, pillows, bedding, papers, clothes and curtains at least 3 ft. (0.9 m) from the front of this appliance.

⚠ WARNING: In order to avoid overheating, do not cover the heater.

⚠ WARNING: Use extreme caution when operating heater near children and the disabled.

3. The appliance is not to be used by children or persons with reduced physical, sensory or mental capabilities, or lack of experience and knowledge, unless they have been given supervision or instruction.
4. This appliance is not a toy. Supervise children playing near it.
5. If possible, always unplug this appliance when not in use.
6. Do not operate any heater with a damaged cord or plug, after the appliance malfunctions, or if it has been dropped or damaged in any manner.
7. If the supply cord is damaged, it must be replaced by the manufacturer, its service agent or similarly qualified persons in order to avoid a hazard.
8. Only a qualified service person should repair this product.
9. Under no circumstances should this fireplace be modified. Parts having to be removed for servicing must be replaced prior to operating this fireplace again.
10. Do not use outdoors.
11. This heater is not intended for use in bathrooms, laundry areas and similar indoor locations. Never locate this appliance where it may fall into a bathtub or other water container.
12. Do not run cord under carpeting. Do not cover cord with throw rugs, runners or the like. Arrange cord away from traffic areas and where it will not be tripped over.
13. To disconnect this appliance, turn controls to the off position, and then remove plug from outlet.
14. Connect to properly grounded outlets only.
15. This appliance, when installed, must be electrically grounded in accordance with local codes or, in the absence of local codes, with the current CSA C22.1 Canadian Electrical Code or for U.S.A. installations, follow local codes and the National Electrical Code, ANSI/NFPA NO.70.
16. The heater must not be located immediately below a socket-outlet.
17. Do not insert or allow foreign objects to enter any ventilation or exhaust opening as this may cause an electric shock or fire, or damage the appliance.

⚠ SAFETY INFORMATION

18. To prevent a possible fire, do not block air intakes or exhaust in any manner. Do not use on soft surfaces, like a bed, where opening may become blocked.
19. This appliance has hot and arcing or sparking parts inside. Do not use it in areas where gasoline, paint or flammable liquids are used or stored. This fireplace should not be used as a drying rack for clothing. Do not hang Christmas stockings or other decorations on or near this product.
20. Use this appliance only as described in the manual. Any other use not recommended by the manufacturer may cause fire, electric shock or injury to persons.
21. There is a thermostat limiter inside the heater. When inner temperature overheating or abnormal heating occurs, the thermostat protective device will cutoff the power supply to avoid damage to the fireplace or risk of fire.
22. Avoid the use of an extension cord because the extension cord may overheat and cause risk of fire. However, if you have to use an extension cord, the cord must be No.14 AWG minimum size and rated not less than 1,875 watts. The extension cord must be a three-wire cord with grounding type plug and cord connection. The extension cord shall not be more than 20 ft. (6 m) in length.
23. See directions in Figure 1. This heater is for use on 120 volts. The cord has a plug as shown in figure 1. See Figure 1 for grounding instruction. An adapter as shown at C is available for connecting three-blade grounding type plugs to two-slot receptacles. The green grounding plug extending from the adapter must be connected to a permanent ground such as a properly grounded outlet box. The adapter should not be used if a three-slot grounded receptacle is available.

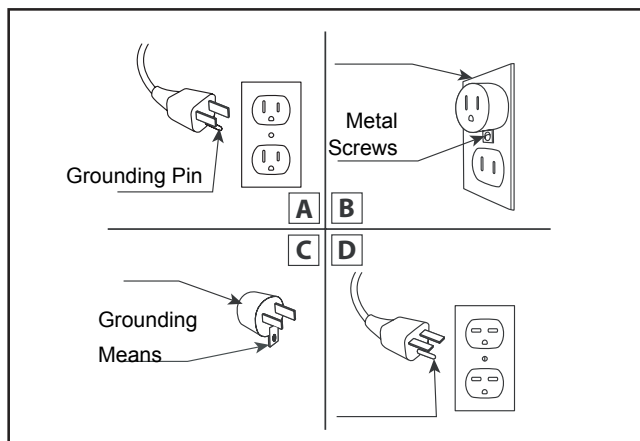


Fig. 1

SAVE THESE INSTRUCTIONS



Cold climate installation recommendation: When installing this unit against a non-insulated exterior wall or chase, it is mandatory that the outer walls be insulated to conform to applicable insulation codes.

ELECTRICAL CONNECTION

A 15-Amp, 120V, 60 Hz circuit with a properly grounded outlet is required. Preferably, the fireplace will be on a dedicated circuit as other appliances on the same circuit may cause the circuit breaker to trip or the fuse to blow when the heater is in operation. The unit comes standard with 6-ft. three-wire cord, exiting from the rear of the fireplace. Avoid using an extension cord. If an extension cord must be used, it must be a minimum 14 AWG, three wire with grounding type plug connector and rated not less than 1,875 watts. The cord shall not be more than 20 ft. in length.

SAFETY INFORMATION



WARNING: Make sure the power is turned off before proceeding. Any electrical repairs or rewiring of this unit should be carried out by a licensed electrician in accordance with national and local codes.

If repairing or replacing any electrical component or wiring, the original wire routing, color coding and securing locations must be followed.



WARNING: Electrical outlet wiring must comply with local building codes and other applicable regulations to reduce the risk of fire, electrical shock and injury to persons.



WARNING: Do not use this fireplace if any part of it has been under water. Immediately call a qualified service technician to inspect the fireplace and replace any part of the electrical system.



WARNING: Disconnect power before attempting any maintenance or cleaning to reduce the risk of fire, electrical shock or personal injury.



WARNING: During any service of this appliance, the power to the unit must be turned off. First turn the main power switch to the OFF position. Then remove the electrical plug from the wall outlet.

NOTE: This equipment has been tested and found to comply with the limits for Class B digital device, pursuant to part 15 of the FCC Rules. These limits are designed to provide reasonable protection against harmful interference in a residential installation. This equipment generates, uses, and can radiate radio frequency energy and, if not installed and used in accordance with the instructions, may cause harmful interference to radio or television reception, which can be determined by turning the equipment off and on, the user is encouraged to try to correct the interference by one or more of the following measures:

- Reorient or relocate the receiving antenna.
- Increase the separation between the equipment and the receiver.
- Connect the equipment into an outlet on a circuit different from that to which the receiver is connected.
- Consult the dealer or an experienced radio/TV technician for help.

This device complies with Part 15 of the FCC Rules. Operation is subject to the following two conditions:

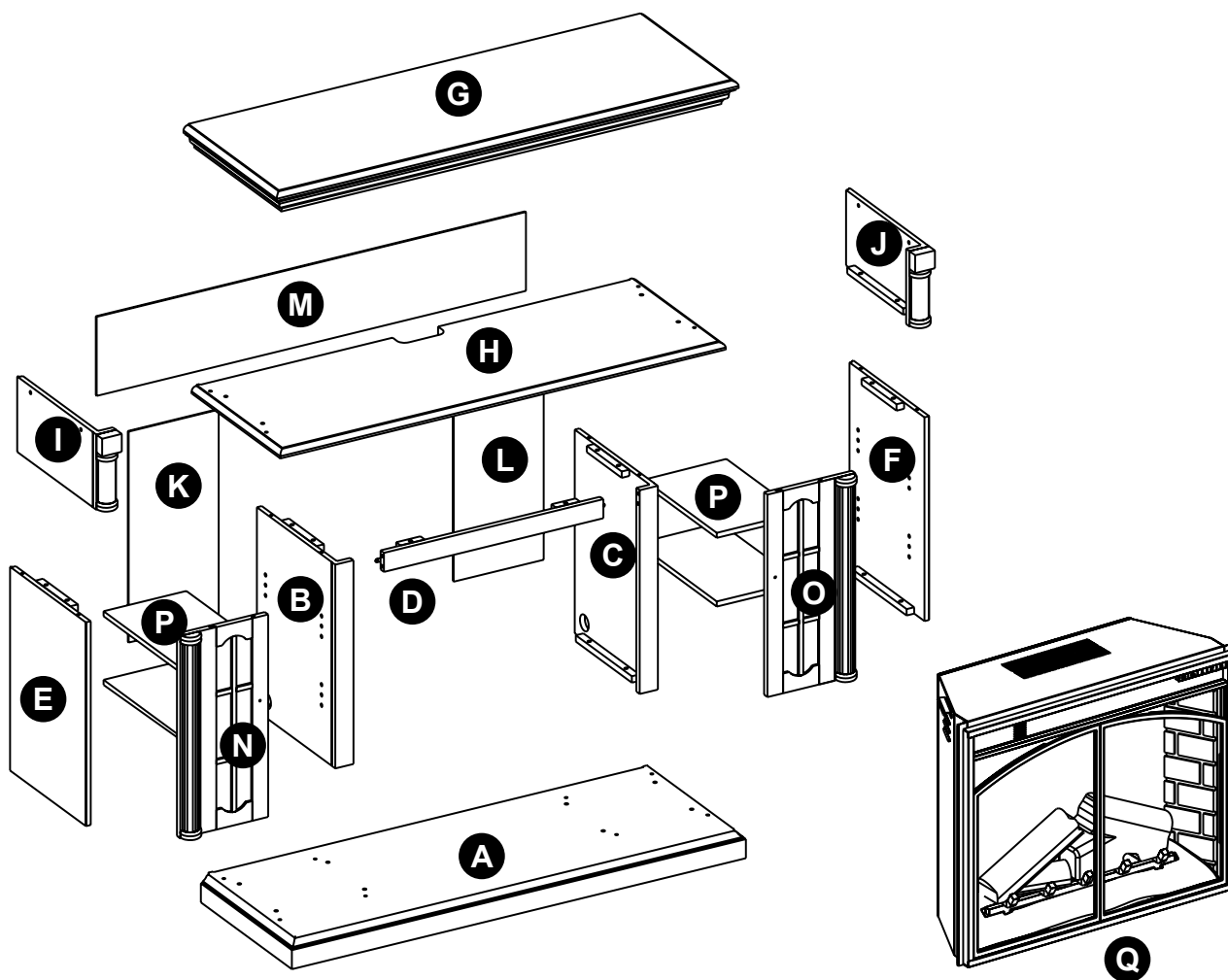
- (1) This device may not cause harmful interference, and
- (2) this device must accept any interference received, including interference that may cause undesired operation.

Modifications not approved by the party responsible for compliance could void user's authority to operate the equipment.

This Class B digital apparatus complies with Canadian ICES-003.

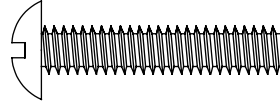
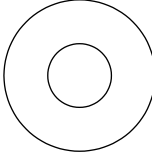
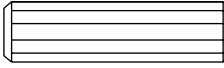
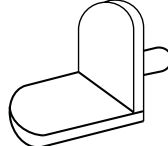

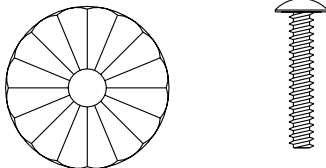
NOTE: PLEASE OPERATE REMOTE TRANSMITTER AT A SLOW MEASURED PACE. PRESS THE REMOTE CONTROL BUTTONS WITH AN EVEN MOTION AND GENTLE PRESSURE. REPEATEDLY PRESSING BUTTONS IN RAPID SUCCESSION MAY CAUSE THE TRANSMITTER TO MALFUNCTION.

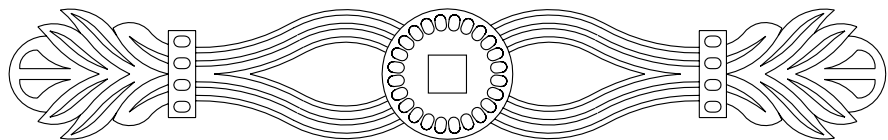
PACKAGE CONTENTS

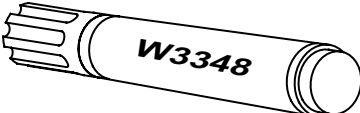


Part	Description	Quantity
A	Hearth/Base	1
B	Center Left Side Panel	1
C	Center Right Side Panel	1
D	Center Front Panel	1
E	Left Side Panel	1
F	Right Side Panel	1
G	Mantel/Top	1
H	Center Shelf	1
I	Left Upper Side Panel	1
J	Right Upper Side Panel	1
K	Left Back Panel	1
L	Right Back Panel	1
M	Center Back Panel	1
N	Left Front Door	1
O	Right Front Door	1
P	Wood Shelf	4
Q	Insert	1

HARDWARE CONTENTS

Part	Description	Quantity	Picture (Shown to size)
AA	Bolt	26	
BB	Washer	26	
CC	Wood Dowel	24	
DD	Shelf Pin	16	
EE	Screw	56	
FF	Door Pull	2	



GG	Touch-up Pen Model No. W3348	1	
-----------	---------------------------------	---	--

Not actual size

PREPARATION

Before beginning assembly of product, make sure all parts are present. Compare parts with package contents list and diagram above. If any part is missing or damaged, do not attempt to assemble, install or operate the product. Contact customer service for replacement parts.

Estimated Assembly Time: 60 Minutes

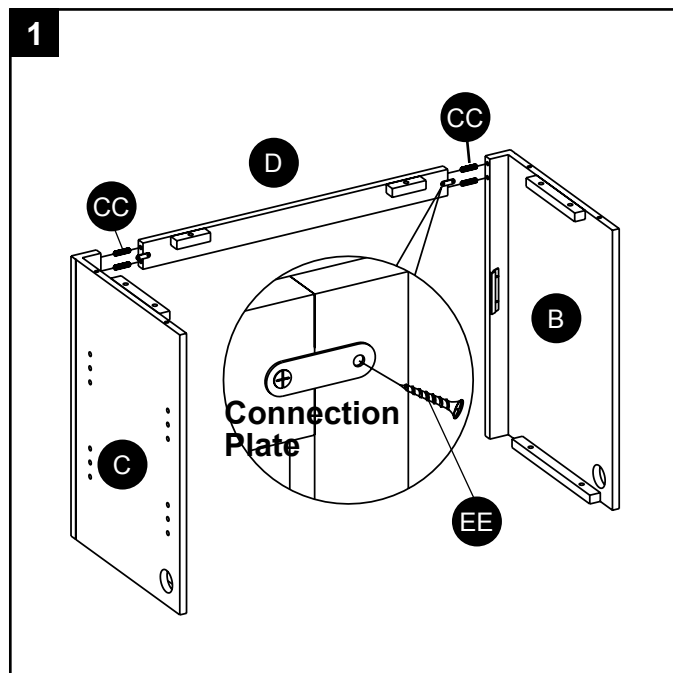
Tools Required for Assembly (not included): Phillips head screwdriver, scissors and utility knife

ASSEMBLY INSTRUCTIONS

1. Locate the center left side panel (B), center right side panel (C), center front panel (D), and set out face down on a scratch-free surface. Insert one wood dowel (CC) into each of the pre-drilled holes. Push the center left side panel (B) and center right side panel (C) snug to the center front panel (D). Make sure the wood dowels (CC) are seated in the pre-drilled holes. Connect the center left side panel (B) and center right side panel (C) to center front panel (D) by tightening screws (EE) into pre-drilled holes corresponding with connection plate on center front panel (D).
HAND TIGHTEN ONLY.



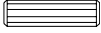
Hardware Used

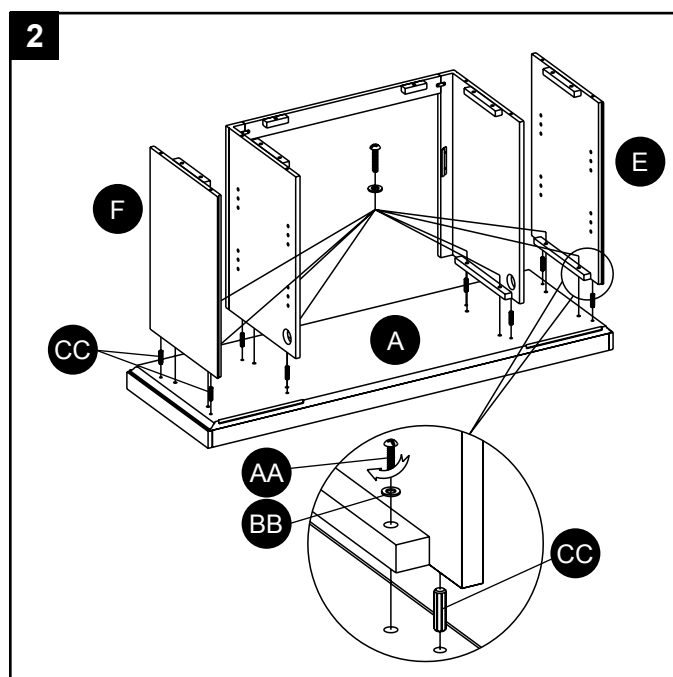
EE	Screw		x 2
CC	Wood Dowel		x 4



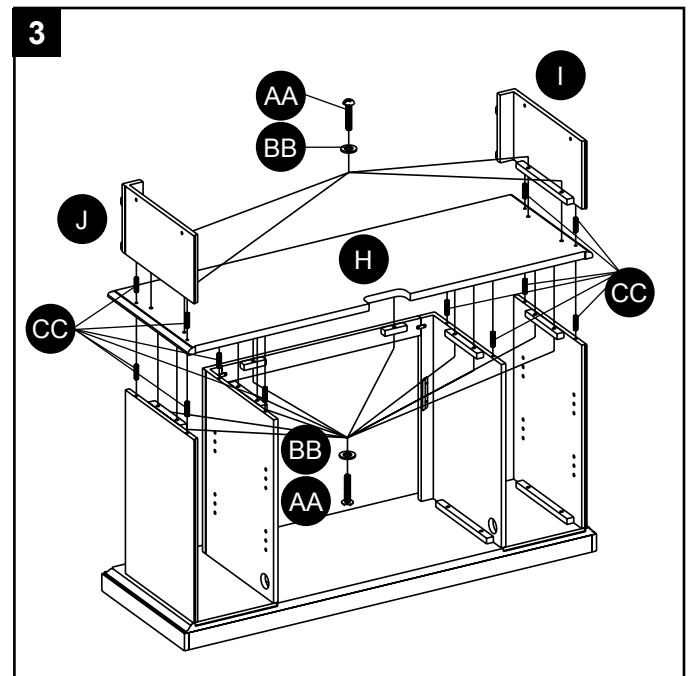
2. Attach the completed front assembly from step 1 to the hearth/base (A). Make sure the wood dowels (CC) are seated into the pre-drilled holes in the hearth/base (A). Using bolt (AA) and washer (BB) attach panels through pre-drilled holes in the mounting blocks. Hand tighten only. Locate left side panel (E) and right side panel (F), and insert one wood dowel (CC) into each of the pre-drilled holes on the bottom edge of the panels. Then use bolt (AA) and washer (BB) through the pre-drilled holes in the mounting blocks to attach the left side panel (E) and right side panel (F) to hearth/base (A).
HAND TIGHTEN ONLY.

Hardware Used




AA	Bolt		x 8
BB	Washer		x 8
CC	Wood Dowel		x 8



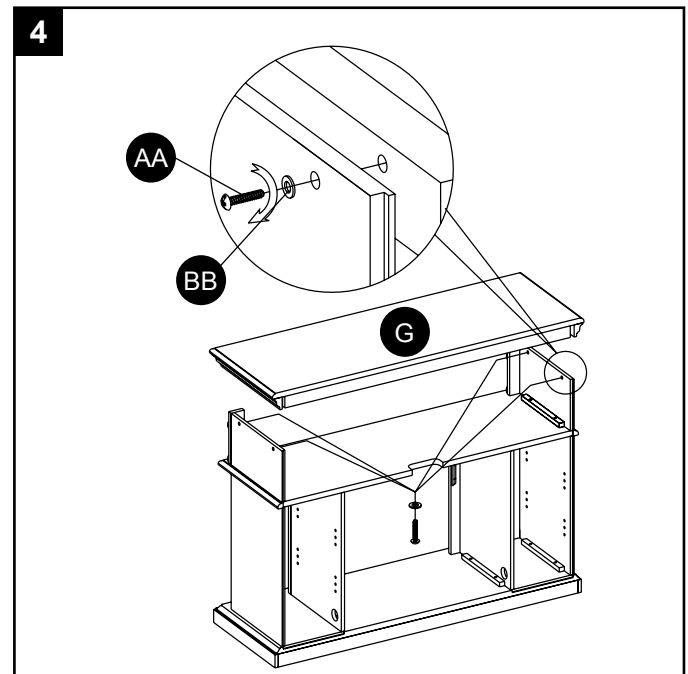
3. Locate the left upper side panel (I) and right upper side panel (J) and center shelf (H), and set out face down on a scratch-free surface. Insert one wood dowel (CC) into each of the pre-drilled holes. Place center shelf (H), left upper side panel (I) and right upper side panel (J) on the top of the assembly from step 2 as shown in diagram. Make sure the wood dowels (CC) are seated into the pre-drilled holes. Secure bolt (AA) and washer (BB) through pre-drilled holes in the mounting blocks. **HAND TIGHTEN ONLY.**



Hardware Used



AA	Bolt		x 14
BB	Washer		x 14
CC	Wood Dowel		x 12

4. Locate mantel/top (G) and lay finished side up on top of completed assembly. From the inside, attach the mantel/top (G) using bolt (AA) and washer (BB) through the pre-drilled holes in the mounting blocks. **HAND TIGHTEN ONLY.**

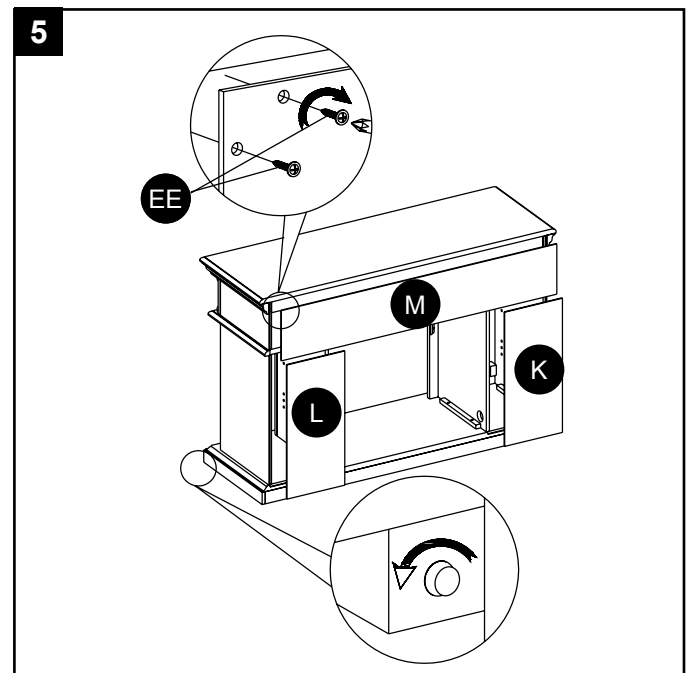


Using Phillips screwdriver (not included), tighten all bolts (AA). Alternate top and bottom and left and right.

Hardware Used

AA	Bolt		x 4
BB	Washer		x 4

5. Locate left back panel (K), right back panel (L) and center back panel (M), and attach to the back of the completed assembly from step 4. Using a Phillips screwdriver, tighten screws (EE) through the pre-drilled holes in the back panels to the completed assembly.



Hardware Used

EE	Screw		x 54
-----------	-------	---	------

6. Locate right front door (O) and left front door (N). Slide door hinge keyhole into panel hinge bracket as shown in inset 1 of Fig. 6. Use Phillips screwdriver to tighten screws as shown in inset 2 of Fig. 6. Use Phillips screwdriver to tighten screws as shown in inset 3 of Fig. 6.

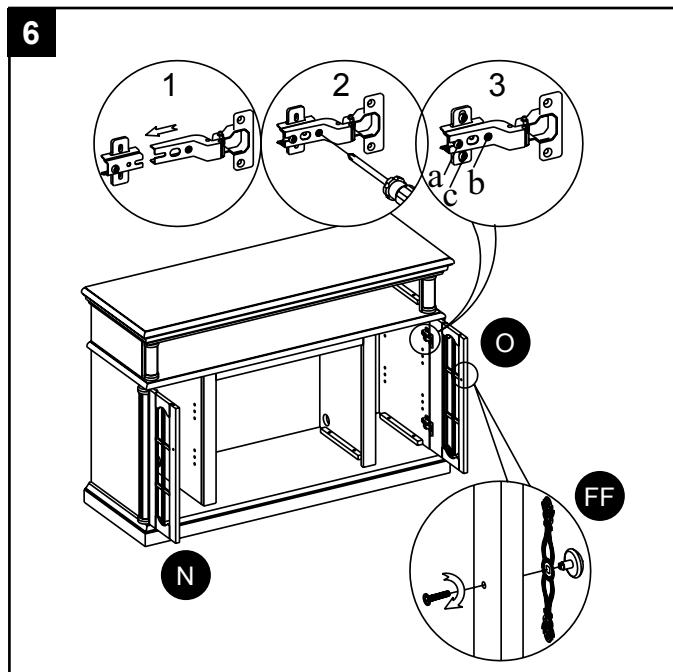
TO ADJUST HINGES

To adjust door forward or backward, change keyhole slot.

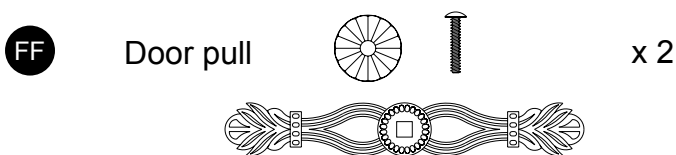
To adjust door right or left, loosen/tighten screw as shown in inset 3b of Fig. 6.

To adjust door up or down, adjust bracket height as shown in inset 3c of Fig. 6.

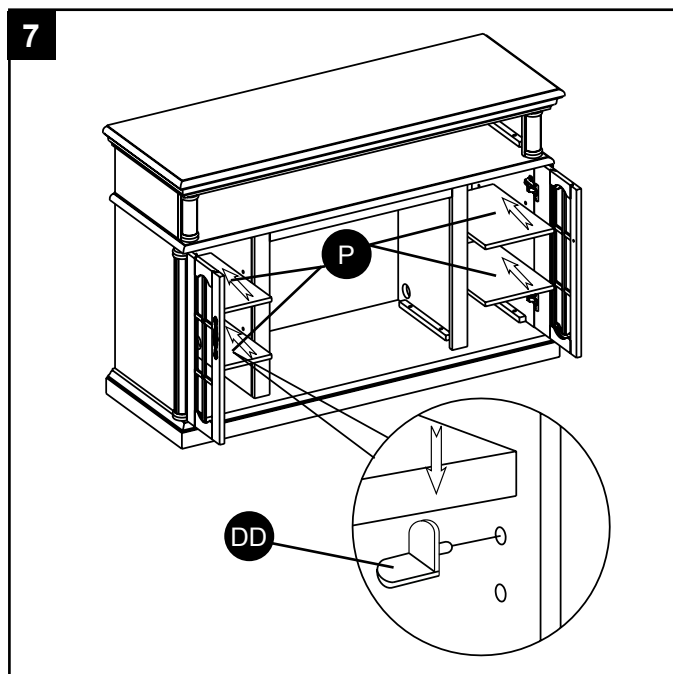
Attach the door pull (FF) to the left front door (N) and right front door (O), securing with the preassembled bolts. Then use a Phillips screwdriver to tighten the bolts.



Hardware Used



7. Choose desired height of wood shelf (P) and place the four shelf pins (DD) into shelf holes inside side panels. Insert wood shelf (P), allowing wood shelf (P) to rest on the shelf pins (DD). Repeat as desired for remaining wood shelves (P).



Hardware Used

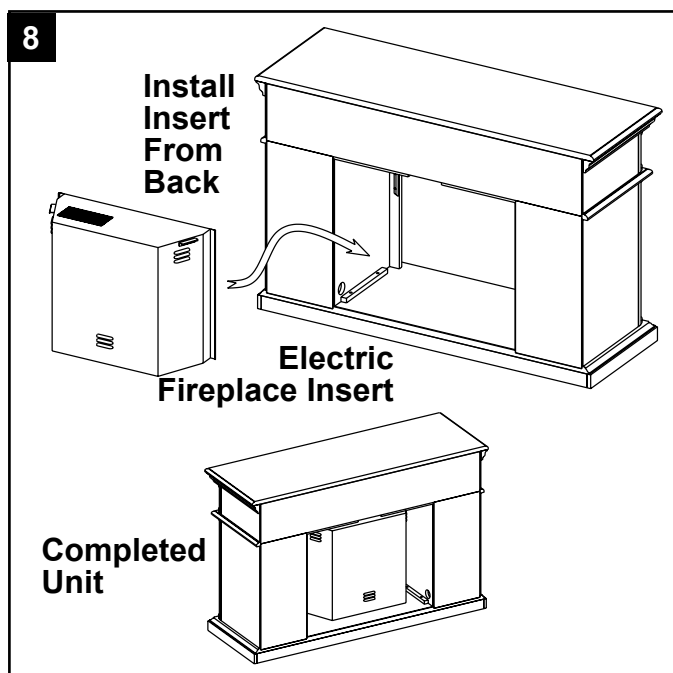


8. Please read all "electric fire place insert" instructions prior to installing electric insert (Q) into the completed fireplace mantel. Install insert (Q) into the fireplace close to its final position.

Lift insert (Q) carefully into the back of the unit and center in the opening.

Do not drag insert (Q) across hearth/base (A) as it may scratch the unit.

Note: Move the completed unit only short distances and with great care. It takes two people to move completed unit into its final position.



OPERATING INSTRUCTIONS

Control panel can be accessed at upper-right corner of insert (Q).

- POWER

The power button supplies power to all of the functions of the fireplace. The power button will put the insert in a standby mode. This will turn off all functions at once but will hold the settings in the memory. By pressing the power button again the unit will turn on at the same settings.

NOTE: Holding the power button on the control panel for 10 seconds will disable the heater function.

- FLAME

Each time the flame button is pressed, the intensity of the flame decreases. There are 6 brightness levels you can cycle through, including the OFF setting.

- HEATER

The fireplace consists of a fan-forced wire-element-type heater. There are 11 thermostat levels you can cycle through, including the OFF and ON settings.

This button on the remote control only turns ON and OFF heater function.

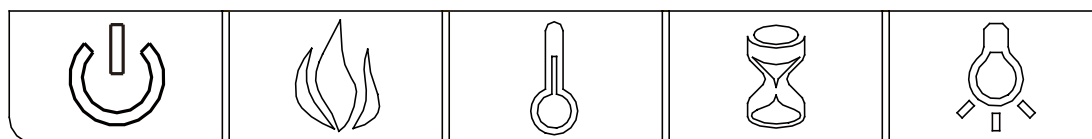
NOTE: To change between °F and °C press and hold the heater button on the control panel for 10 seconds.

- TIMER

Press the timer button to cycle through the 10 timer settings (30 minutes, 1 Hour, 2H, 3H, 4H, 5H, 6H, 7H, 8H and 9H) and the OFF setting.

- DOWNLIGHT

The downlight button turns on and off the downlight that illuminates inside of the firebox.



Note: When a function is changed from the control panel or remote control there will be a corresponding indicator (see Figure 1) on the upper-right of the projection screen. The indicator shows the function changed and the level selected by the control panel or remote control. When the function is turned off, the corresponding indicator will flash 5 times and then fade off.

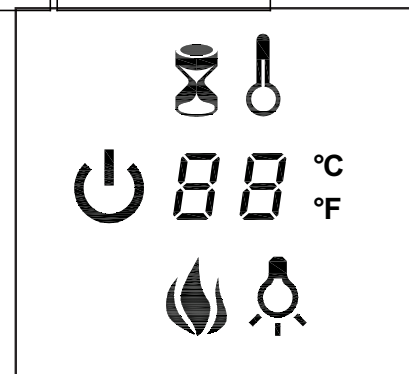


Fig . 1

CARE AND MAINTENANCE

- Dust your fireplace regularly with a soft non-lint producing cloth or household dusting product.
- Clean your fireplace with a gentle non-abrasive household cleaner. Make sure to dry your fireplace immediately with a soft cloth or towel.
- Tips for using touch-up pen (GG): For scratches, stroke in direction of scratch. For worn areas, stroke in direction of wood grain. Rub excess colorant promptly with a soft cloth.

REPLACING THE REMOTE CONTROL BATTERY

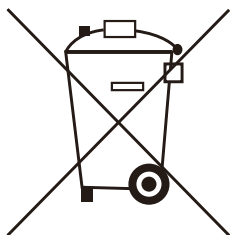
When the remote control stops operating or its range seems reduced, it is time to replace the battery with a new one. Note: Batteries should be removed if the product is to be left unused for a long time.

1. The battery compartment is located on the back end of the remote.
2. Press and slide the battery door open and remove the old battery.
3. Insert a CR2032 battery, checking that the + and - sides of the battery match inside the battery compartment.
4. Replace the battery compartment door.

DISPOSAL OF USED BATTERIES

Battery may contain hazardous substances which could be endangering to environment and human health.

This symbol marked on the battery and/or packaging indicates that used battery shall not be treated as municipal waste. Instead it shall be left at the appropriate collection point for recycling.



By ensuring the used batteries are disposed of correctly, you will help preventing potential negative consequences for the environment and human health. The recycling of materials will help to conserve natural resources.

For more information about collection and recycling of used batteries, please contact your local municipality, your waste disposal service or the point of sale where you purchased the battery.

TROUBLESHOOTING

PROBLEM	POSSIBLE CAUSE	CORRECTIVE ACTION
No power, logs do not glow.	<ol style="list-style-type: none">1. Power cord was not plugged in the outlet.2. Main power switch is not in "ON" position.	<ol style="list-style-type: none">1. Check that unit is plugged into a standard 120V outlet.2. Press power button several times, making sure power is set at "ON" position.
Logs glow, but no flame effect.	Flame button is not in "ON" position.	Press flame button several times.
Down lights do not light up.	Downlight button is not in "ON" position.	Try to turn on/off downlight switch several times to make sure downlight is at "ON" position.
Heater does not blow warm air.	The current room temperature is higher than the temperature setting.	Adjust the temperature settings to ensure that the thermostat is set higher than the current room temperature.
Heater doesn't work, but Power and Heater settings are "ON" and thermostat is set.	The product is on protected status.	Turn all switches to the "OFF" position and unplug the unit from the wall outlet for 5 minutes. After 5 minutes plug the unit back into wall outlet, and operate as normal.
Flame effect works but heater function does not and the embered flashes when the heater button is pressed.	Heater function is locked.	Heater function is locked. Press and hold the POWER button to unlock the heater function.

1-YEAR LIMITED WARRANTY


The manufacturer warrants this product to be free from manufacturing and material defects for a period of one year from date of purchase, subject to the following conditions and limitations.

1. Install and operate this Electric Fireplace in accordance with the installation and operating instructions furnished with the product at all times. Any unauthorized repair, alteration, willful abuse, accident, or misuse of the product shall nullify this warranty.
2. This warranty is non-transferable, and is made to the original owner, provided that the purchase was made through an authorized supplier of the product.
3. The warranty is limited to the repair or replacement of part(s) found to be defective in material or workmanship, provided that such part(s) have been subjected to normal conditions of use and service, after said defect is confirmed by the manufacturer's inspection.
4. The manufacturer may, at its discretion, fully discharge all obligations with respect to this warranty by refunding the wholesale price of the defective part(s).
5. Any installation, labor, construction, transportation, or other related costs/expenses arising from defective part(s), repair, replacement, or otherwise of same, will not be covered by this warranty, nor shall the manufacturer assume responsibility for same.
6. The owner/user assumes all other risks, if any, including the risk of any direct, indirect or consequential loss or damage arising out of the use, or inability to use the product, except as provided by law.
7. All other warranties – expressed or implied – with respect to the product, its components and accessories, or any obligations/liabilities on the part of the manufacturer are hereby expressly excluded.
8. The manufacturer neither assumes, nor authorizes any third party to assume on its behalf, any other liabilities with respect to the sale of the product.
9. The warranties as outlined within this document do not apply to non accessories used in conjunction with the installation of this product.

This warranty is void if:

- a. The fireplace is subjected to prolonged periods of dampness or condensation.
- b. Any unauthorized alteration, willful abuse, accident, or misuse of the product.
- c. You do not have the original receipt of purchase.

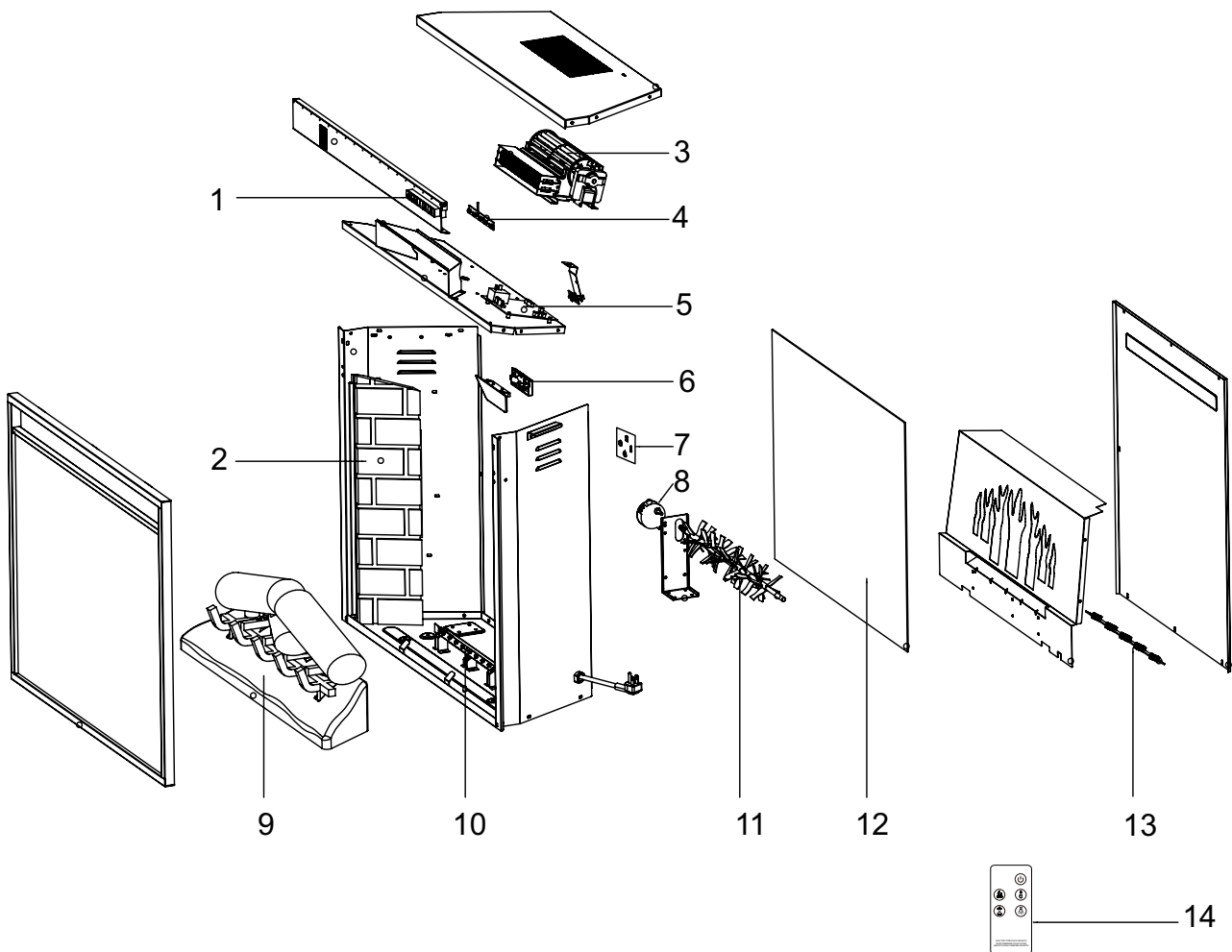
IF WARRANTY SERVICE IS NEEDED

Contact the manufacturer by calling customer service department at 1-866-439-9800  a.m.-8 p.m., EST, Monday-Friday. Make sure you have your warranty, your sales receipt, location of purchase and the model/serial number of your product.

REPLACEMENT PARTS LIST

For replacement parts, call our customer service department at 1-866-439-9800,
8 a.m. - 8 p.m., EST, Monday - Friday.

Part	Description	Part No. 28EF023SRA
1	Control Panel - 5 Buttons	Y10-C45-P32
2	Decorative Brick Panels	Y10-S54-P17
3	Heater/Blower Assembly	Y06-C26-P01
4	Control Panel Circuit Board	Y10-C45-P32
5	Main Circuit Board	Y11-C54-P15
6	Downlight LCD	Y10-C45-P42
7	LCD Display	Y10-C45-P70
8	Flame Generator Drive Motor	Y07-P10Q
9	Emberbed with Log	Y10-S54-P02
10	Log Circuit Board	Y10-C45-P49
11	Flame Generator/ Spinner	Y10-S54-P11
12	Front Projection Screen	Y10-S54-P09
13	Flame Circuit Board	Y11-S70-P40
14	Remote Control - 5 Buttons	P72



Printed in China