

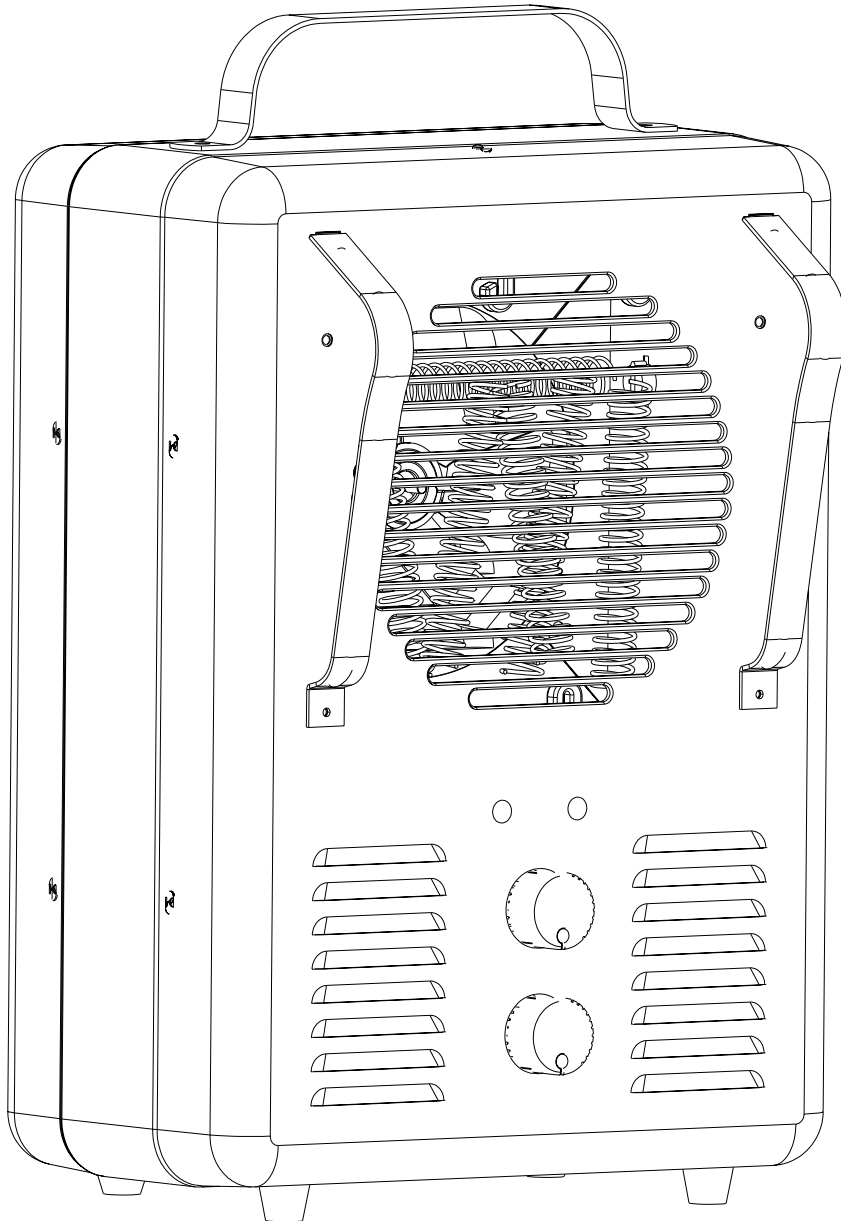
# FAN-FORCED UTILITY HEATER

Utilitech and UT Design® and Grounded in Quality® are registered trademarks of LF, LLC. All Rights Reserved.

MODEL #SH-UH-1-T

Français p. 8

Español p. 14



## ATTACH YOUR RECEIPT HERE

Serial Number \_\_\_\_\_ Purchase Date \_\_\_\_\_



**Questions, problems, missing parts?** Before returning to your retailer, call our customer service department at 1-866-994-4148, 8 a.m. - 6 p.m., EST, Monday - Thursday, 8 a.m. - 5 p.m., EST, Friday.

## TABLE OF CONTENTS

---

Product Specifications .....	2
Safety Information .....	3
Package Contents .....	5
Operating Instructions .....	6
Care and Maintenance .....	6
Troubleshooting.....	6
Warranty .....	7

## PRODUCT SPECIFICATIONS

---

Voltage	Frequency	Wattage (Max)	Max. Amperage
120 V~	60 Hz	1,500 W	12.5 A

# **▲ SAFETY INSTRUCTIONS**

---

When using electrical appliances, basic precautions should always be followed to reduce the risk of fire, electrical shock, and injury to persons including the following:

## **READ ALL INSTRUCTIONS BEFORE USE.**

1. Keep the product out of the reach of children and pets. This product is not intended for use by children. Extreme caution is necessary when any heater is used near children or the physically challenged and whenever the heater is left operating and unattended.
2. Do not let bare skin touch hot surfaces, as heater is hot! To avoid burns, use the handle when moving this heater. Keep combustible materials, such as furniture, pillows, bedding, papers, clothes, and curtains at least 3 ft. (0.9 m) from all sides of the heater.
3. Always unplug the heater when not in use.
4. Do not use this product in bathrooms, laundry areas, or similar damp/wet indoor locations. Do not place the product where it may fall into a bathtub or other water container.
5. Do not run the power cord under carpeting or cover it with throw rugs, runners, or similar coverings. Arrange the cord away from traffic areas where it will not be tripped over.
6. To disconnect the product from an electrical outlet, turn any controls to the Off position, and then pull directly on the plug to remove it from the outlet; do not pull on the power cord.
7. Do not insert or allow foreign objects to enter any ventilation or exhaust opening of the product as this may cause electric shock or fire, or damage the heater.
8. Do not block air intakes or exhaust, as this may cause a risk of fire. Do not use the product on soft surfaces, such as a bed, where openings may become blocked.
9. Do not use this product in an area where gasoline, paint, or flammable liquids are used or stored, as this product has hot and arcing or sparking parts inside.
10. Do not place the product near a bed because objects, such as pillows or blankets, can fall off and be ignited by the product.
11. Use this product only as described in this manual. Any other use not recommended by the manufacturer may cause fire, electric shock, or injury to persons.
12. Do not immerse or expose the power cord, plug, or product to water or other liquids. If the product falls into water, immediately unplug it from the electrical outlet; do not touch or reach into the water. If water or other liquids reach any internal areas of this product, permanently discontinue its use.
13. Ensure the product is unplugged from the electrical outlet and allowed to cool before relocating or cleaning it.
14. Use the heater in a vertical position only.
15. Do not place the product in or near an open window. Rain, snow, or other weather elements could cause electrical short-circuiting in the product.
16. Do not use outdoors.
17. To disconnect heater, turn controls to the off position, then remove plug from outlet.
18. Do not plug into or unplug the product from the electrical outlet with a wet hand.
19. Do not operate this product if it has a damaged power cord or plug, if it malfunctions, or if it has been dropped or damaged. This product has no user-serviceable parts. Do not attempt to examine or repair this product yourself. Only qualified service personnel should perform any servicing; take the product to an appliance repair shop of your choice for inspection and repair.
20. This appliance is not intended for use by persons (included children) with reduced physical, sensory or mental capability, or lack of experience and knowledge, unless they have been given supervision or instruction concerning use of the appliance by a person responsible for their safety.
21. Children should be supervised to ensure that they do not play with the appliance.

22. This product is intended solely for indoor, non-commercial, non-industrial use in temporarily heating rooms. Do not use this product outdoors.
23. Do not operate the product continuously. Portable electric heaters are designed for finite space heating or as a supplementary heat source. They are not intended to be main sources of heat during the normal heating season.
24. Do not hang or wall-mount the product.
25. Place the product upright on a flat, level, stable, heat-resistant surface.

This heater is for use on 120 volts. The cord has a plug as shown in Figure A. See Figure 1 for grounding instruction. An adaptor as shown at C is available for connecting three-blade grounding type plugs to two-slot receptacles. The green grounding plug extending from the adaptor must be connected to a permanent ground such as a properly grounded outlet box. The adaptor should not be used if a three-slot grounded receptacle is available. Always plug heaters directly into a wall outlet/ receptacle. Never use with an extension cord or relocatable power tap (outlet/ power strip).

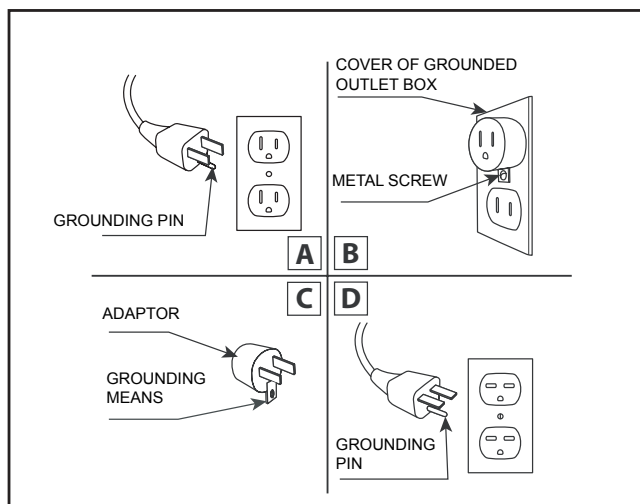


Fig.1

## SAVE THESE INSTRUCTIONS



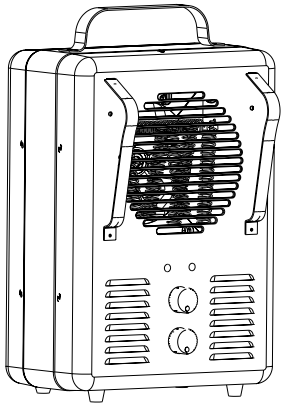
### WARNING

To avoid injury from unexpected starting or electrical shock, do not plug the power cord into a source of power during unpacking and assembly. The cord must remain unplugged whenever you are adjusting/assembling the heater.

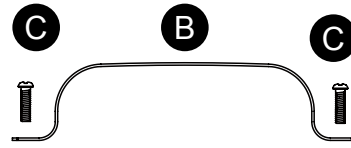
If any part is missing or damaged, do not attempt to use or plug in the power cord until the missing or damaged part is correctly replaced. To avoid electric shock, use only identical replacement parts when servicing double-insulated tools.

## PACKAGE CONTENTS

---



A

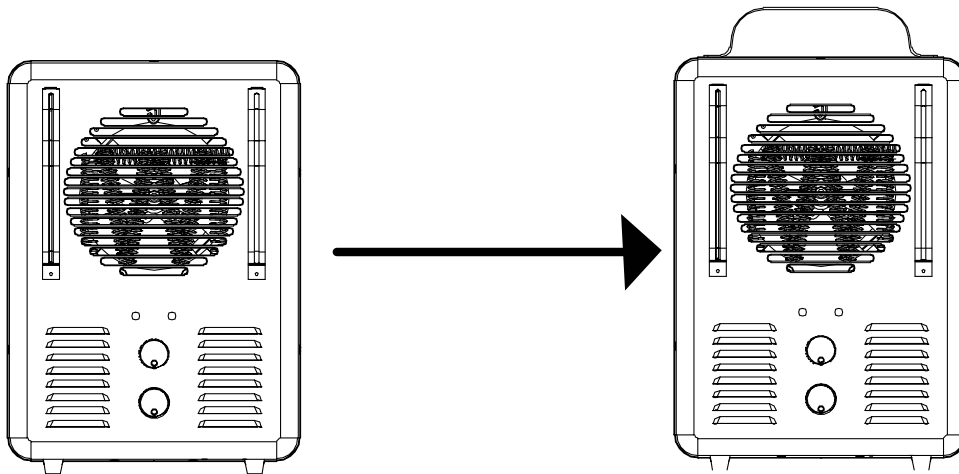


Part	Description	Quantity
A	Heater	1
B	Handle	1
C	Screw	2

## ASSEMBLY INSTRUCTIONS

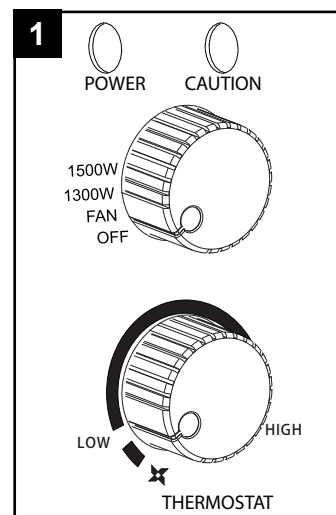
---

Attach the handle (B) to the top of the heater (A) with the two screws (C) provided using a Phillips screwdriver (not included).



## OPERATING INSTRUCTIONS

- Place the product upright on a flat, level, stable, heat-resistant surface, and then plug the power cord into a standard 120-volt electrical outlet.
- Main Control Knob (Figure 1): Use this knob to set the heat setting:  
 "Fan" – Fan only (no heat)  
 "1,300 W" – Low heat setting  
 "1,500 W" – High heat setting
- Turn the thermostat control knob clockwise to its maximum range. The power indicator will illuminate, indicating the heater (A) is on.
- Allow the product to operate until the ambient room temperature reaches the desired comfort level.
- Slowly turn the thermostat control knob counterclockwise until the product turns off. The product will cycle on and off to maintain the setting.
- To adjust the thermostat, turn the thermostat control knob toward high to increase the set ambient temperature and toward low to decrease it.
- To activate anti-freeze setting function, set the thermostat on " ❄ " and the heat switch to 1,500 W. The unit will operate automatically when the surrounding temperature becomes close to freezing. Operation will continue until the immediate surrounding temperature rise.
- Turn off the product by rotating the main control knob to the "OFF" position, and then unplug the product from the electrical outlet.



**WARNING:** Always unplug the product when it will be left unattended or not in use.

## CARE AND MAINTENANCE

**WARNING:** Do not attempt to disassemble this product for any reason, as incorrect re-assembly could cause a risk of fire or electric shock. Only qualified service personnel should perform any servicing.

**WARNING:** Always unplug the product from the electrical outlet and allow it to cool before cleaning or storing it.

**NOTICE:** This product is permanently lubricated at the factory before shipping and will not require further lubrication for the life of the product.

- Clean only the exterior surface by wiping with a soft, damp cloth, and allow the product to dry completely before storing or using. Dust can be removed from any vents using a small vacuum.
- To store, wind and secure the power cord using a twist tie or rubber band, and then place the product in a cool, dry location.

**WARNING:** Do not allow water or other liquids to enter the interior of the product.

**NOTICE:** Do not use abrasive cleaners/pads to clean the product.

## TROUBLESHOOTING

PROBLEM	POSSIBLE CAUSE	CORRECTIVE ACTION
Your heater shuts off unexpectedly or fails to operate.	<ol style="list-style-type: none"> <li>No electric power.</li> <li>One of the safety features may have activated to prevent overheating, including the tip-over safety switch and thermal overload protector.</li> </ol>	<ol style="list-style-type: none"> <li>Be sure the power cord is plugged into a working electrical outlet.</li> <li> <ol style="list-style-type: none"> <li>Check your thermostat setting. The heater may be off because it has reached the desired temperature setting.</li> <li>Unplug the heater and wait 10 minutes for the unit to cool down. After 10 minutes, plug the unit in again and operate normally.</li> </ol> </li> </ol>

## **1-YEAR LIMITED WARRANTY**

---

The manufacturer warrants this product to be free from manufacturing and material defects for a period of one year from date of purchase, subject to the following conditions and limitations.

1. Install and operate this heater in accordance with the installation and operating instructions furnished with the product at all times. Any unauthorized repair, alteration, willful abuse, accident, or misuse of the product shall nullify this warranty.
2. This warranty is non-transferable and is made to the original owner, provided that the purchase was made through an authorized supplier of the product.
3. The warranty is limited to the repair or replacement of part(s) found to be defective in material or workmanship, provided that such part(s) have been subjected to normal conditions of use and service, after said defect is confirmed by the manufacturer's inspection.
4. The manufacturer may, at its discretion, fully discharge all obligations with respect to this warranty by refunding the wholesale price of the defective part(s).
5. Any installation, labor, construction, transportation, or other related costs/expenses arising from defective part(s), repair, replacement, or otherwise of same, will not be covered by this warranty, nor shall the manufacturer assume responsibility for same.
6. The owner/user assumes all other risks, if any, including the risk of any direct, indirect or consequential loss or damage arising out of the use, or inability to use the product, except as provided by law.
7. All other warranties – expressed or implied – with respect to the product, its components and accessories, or any obligations/liabilities on the part of the manufacturer are hereby expressly excluded.
8. The manufacturer neither assumes, nor authorizes any third party to assume, on its behalf, any other liabilities with respect to the sale of the product.
9. The warranties as outlined within this document do not apply to non accessories used in conjunction with the installation of this product.

**This warranty is void if:**

- a. The heater is subjected to prolonged periods of dampness or condensation.
- b. There is any unauthorized alteration, willful abuse, accident, or misuse of the product.
- c. You do not have the original receipt of purchase.

**IF WARRANTY SERVICE IS NEEDED**

Contact our customer service department at 1-866-994-4148, 8 a.m. - 6 p.m., EST, Monday - Thursday, 8 a.m. - 5 p.m., EST, Friday. Make sure you have your warranty, your sales receipt, location of purchase and the model/serial number of your product.