

styleselections®

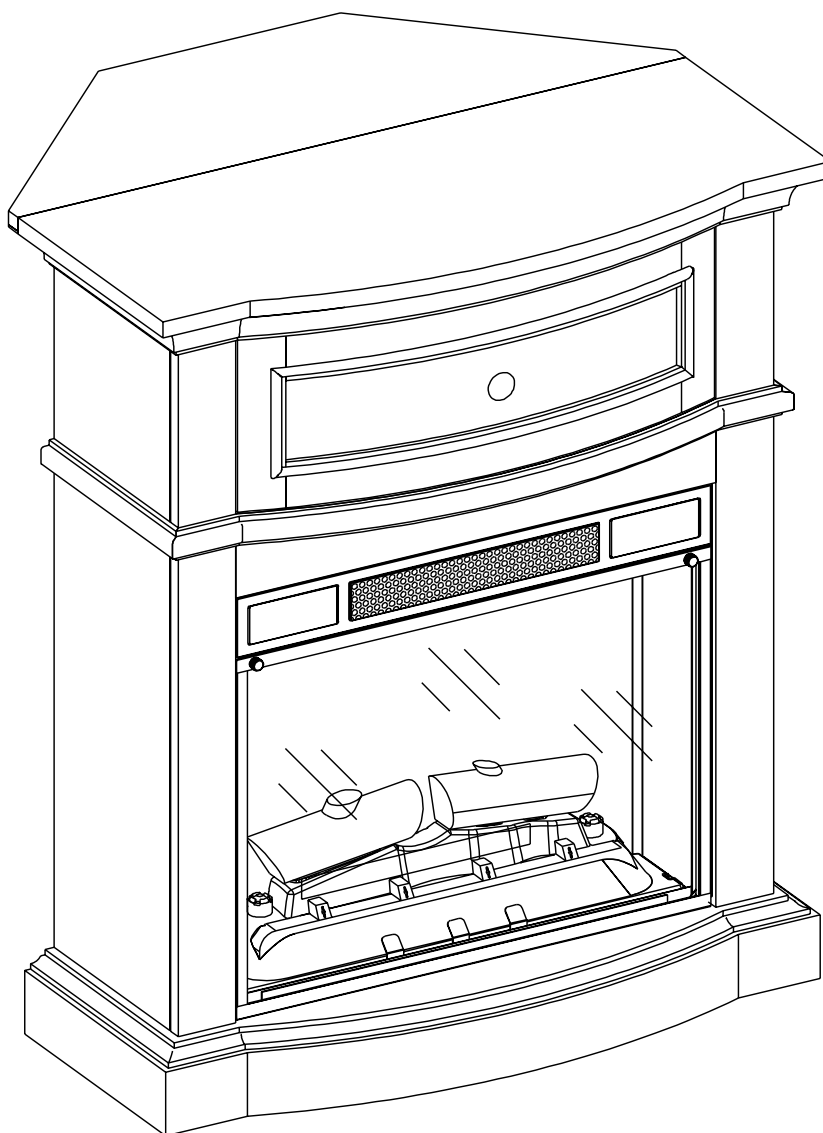
Style Selections® is a registered trademark of LF, LLC. All Rights Reserved.

# WALL/CORNER ELECTRIC FIREPLACE

MODEL #76185/23DM6344-C244

Français p.15

Español p. 29



**Questions, problems, missing parts?** Before returning to your retailer, call our customer service department at 1-877-888-8225, 8 a.m. - 8 p.m., EST, Monday - Friday.

## TABLE OF CONTENTS

---

Product Specifications .....	2
Safety Information .....	3
Package Contents .....	6
Hardware Contents.....	7
Preparation.....	7
Assembly instructions.....	8
Operating Instructions .....	9
Care and Maintenance .....	10
Troubleshooting.....	12
Warranty .....	13
Replacement Parts.....	14

## PRODUCT SPECIFICATIONS

---

VOLTAGE	120 V, 60 Hz
AMPS	12.5 Amps
WATTS	12.5 Watts

## SAFETY INFORMATION

Please read and understand this entire manual before attempting to assemble, operate or install the product.

### **WARNING**

- Before assembly, carefully use scissors or utility knife to cut and unwrap all parts. Make sure you do not discard the hardware.

### **CAUTION**



- Use care in assembling the fireplace. Take your time and use the hardware provided and a quality Phillips screwdriver. Never overtighten bolts.
- Do not sit on any part of the mantel.
- All panels are labeled left and right as viewed from the front of unit.

### **WARNING**

To avoid injury from unexpected starting or electrical shock, do not plug the power cord into a source of power during unpacking and assembly. The cord must remain unplugged whenever you are adjusting/assembling the fireplace.

If any part is missing or damaged, do not attempt to use or plug in the power cord until the missing or damaged part is correctly replaced. To avoid electric shock, use only identical replacement parts when servicing double-insulated tools.

When using electrical appliances, always follow basic precautions to reduce the risk of fire, electrical shock, and injury to persons, including the following:

1. Read all instructions before using this appliance.
2. This appliance is hot when in use. To avoid burns, do not touch hot surfaces with bare skin. If provided, use handles when moving this appliance. Keep combustible materials, such as furniture, pillows, bedding, papers, clothes and curtains at least 3 ft. from the front of this appliance.  
 **WARNING:** In order to avoid overheating, do not cover the heater.  
 **WARNING:** Use extreme caution when operating heater near children and the disabled.
3. The appliance is not to be used by children or persons with reduced physical, sensory or mental capabilities, or lack of experience and knowledge, unless they have been given supervision or instruction.
4. This appliance is not a toy. Supervise children playing near it.
5. If possible, always unplug this appliance when not in use.
6. Do not operate any heater with a damaged cord or plug, after the appliance malfunctions, or if it has been dropped or damaged in any manner.
7. If the supply cord is damaged, it must be replaced by the manufacturer, its service agent or similarly qualified persons in order to avoid a hazard.
8. Only a qualified service person should repair this product.
9. Under no circumstances should this fireplace be modified. Parts having to be removed for servicing must be replaced prior to operating this fireplace again.
10. Do not use outdoors.
11. This heater is not intended for use in bathrooms, laundry areas and similar indoor locations. Never locate this appliance where it may fall into a bathtub or other water container.
12. Do not run cord under carpeting. Do not cover cord with throw rugs, runners or the like. Arrange cord away from traffic areas and where it will not be tripped over.
13. To disconnect this appliance, turn controls to the off position, and then remove plug from outlet.
14. Connect to properly grounded outlets only.
15. This appliance, when installed, must be electrically grounded in accordance with local codes or, in the absence of local codes, with the current CSA C22.1 Canadian Electrical Code or for U.S.A. installations, follow local codes and the National Electrical Code, ANSI/NFPA NO.70.
16. The heater must not be located immediately below a socket-outlet.
17. Do not insert or allow foreign objects to enter any ventilation or exhaust opening as this may cause an electric shock or fire, or damage the appliance.
18. To prevent a possible fire, do not block air intakes or exhaust in any manner. Do not use on soft surfaces, like a bed, where opening may become blocked.

19. This appliance has hot and arcing or sparking parts inside. Do not use it in areas where gasoline, paint or flammable liquids are used or stored. This fireplace should not be used as a drying rack for clothing. Do not hang Christmas stockings or other decorations on or near this product.
20. Use this appliance only as described in the manual. Any other use not recommended by the manufacturer may cause fire, electric shock or injury to persons.
21. There is a thermostat limiter inside the heater. When inner temperature overheating or abnormal heating occurs, the thermostat protective device will cutoff the power supply to avoid damage to the fireplace or risk of fire.
22. Avoid the use of an extension cord because the extension cord may overheat and cause risk of fire. However, if you have to use an extension cord, the cord must be No.14 AWG minimum size and rated not less than 1,875 watts. The extension cord must be a three-wire cord with grounding type plug and cord connection. The extension cord shall not be more than 20 ft. in length.
23. See directions in Figure 1. This heater is for use on 120 volts. The cord has a plug as shown in figure 1. See Figure 1 for grounding instruction. An adapter as shown at C is available for connecting three-blade grounding type plugs to two-slot receptacles. The green grounding plug extending from the adapter must be connected to a permanent ground such as a properly grounded outlet box. The adapter should not be used if a three-slot grounded receptacle is available.

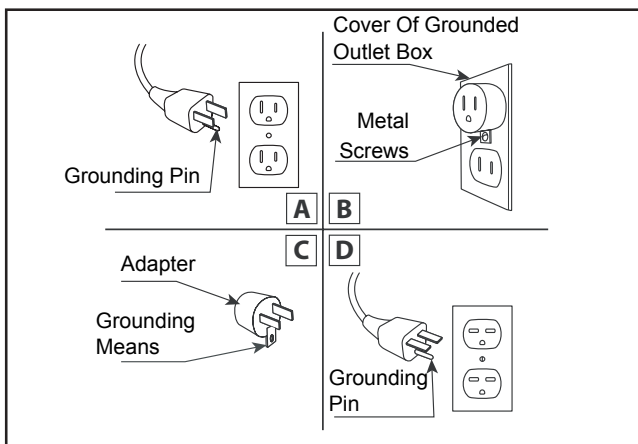


Fig. 1

**SAVE THESE INSTRUCTIONS**



**Cold climate installation recommendation: When installing this unit against a non-insulated exterior wall or chase, it is mandatory that the outer walls be insulated to conform to applicable insulation codes.**

### ELECTRICAL CONNECTION

A 15-Amp, 120-volt, 60 Hz circuit with a properly grounded outlet is required. Preferably, the fireplace will be on a dedicated circuit as other appliances on the same circuit may cause the circuit breaker to trip or the fuse to blow when the heater is in operation. The unit comes standard with 6-ft. three-wire cord, exiting from the rear of the fireplace. Avoid using an extension cord. If an extension cord must be used, it must be a minimum 14 AWG, three-wire cord with grounding-type plug connector and rated not less than, 1,875 watts. The cord shall not be more than 20 ft. in length.

### CLEARANCE TO COMBUSTIBLES

Keep electrical cords, drapery, furniture and other combustibles at least 3 ft. from the front of the heater and away from the sides.

## SAFETY INFORMATION

---



**WARNING:** Make sure the power is turned off before proceeding. Only a licensed electrician should perform any electrical repairs or rewiring of this unit in accordance with national and local codes.

Follow the original wire routing, color coding and securing locations when making repairs or replacements to any electrical component.”



**WARNING:** Electrical outlet wiring must comply with local building codes and other applicable regulations to reduce the risk of fire, electrical shock and injury to persons.

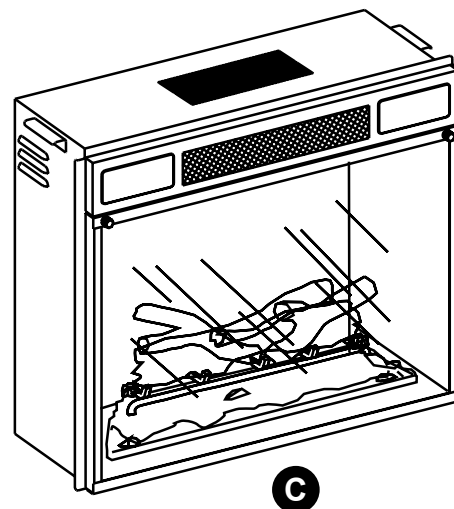
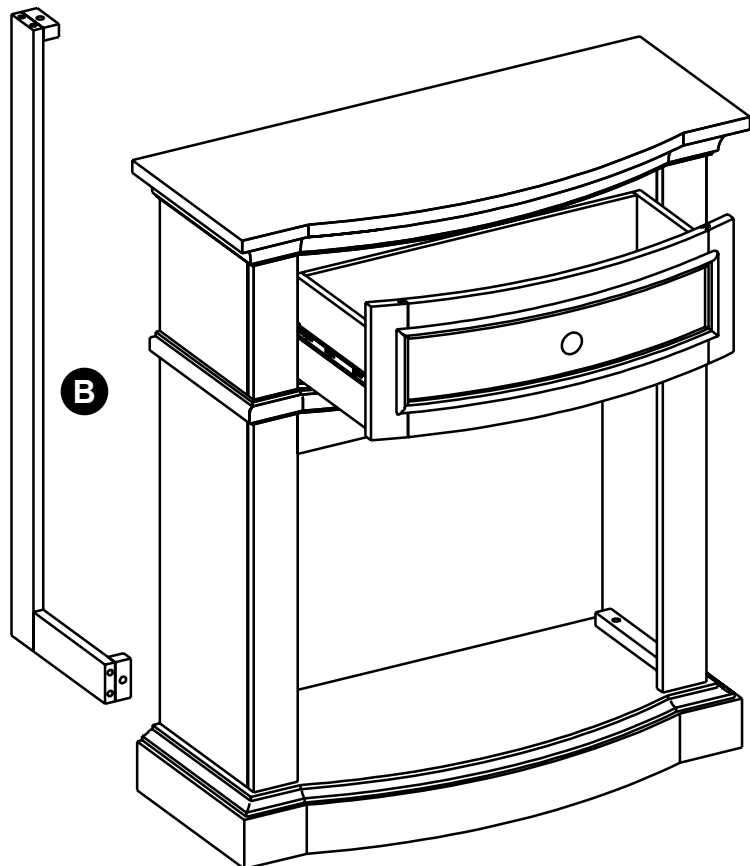
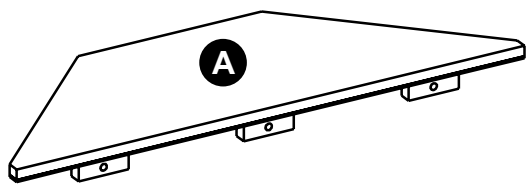


**WARNING:** Do not use this fireplace if any part of it has been under water. Immediately call a qualified service technician to inspect the fireplace and replace any part of the electrical system.



**WARNING:** Disconnect power before attempting any maintenance or cleaning to reduce the risk of fire, electrical shock or personal injury.

# PACKAGE CONTENTS

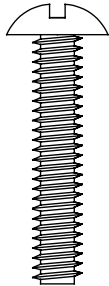


Part	Description	Quantity
A	Mantel	1
B	Top Corner Extension	1
C	"L" Corner Brace	1
D	Insert	1

## HARDWARE CONTENTS (shown actual size)

---

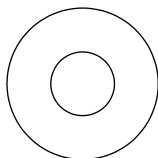
AA



Bolt

Qty. 5

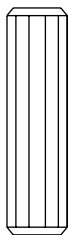
BB



Washer

Qty. 5

CC



Wood  
Dowel

Qty. 4

DD



Touch-up Pen  
Model No. W3304  
(Not actual size)

Qty. 1

## PREPARATION

---

Before beginning assembly of product, make sure all parts are present. Compare parts with package contents list and diagram above. If any part is missing or damaged, do not attempt to assemble, install or operate the product. Contact customer service for replacement parts.

### **Estimated Assembly Time: 60 Minutes**

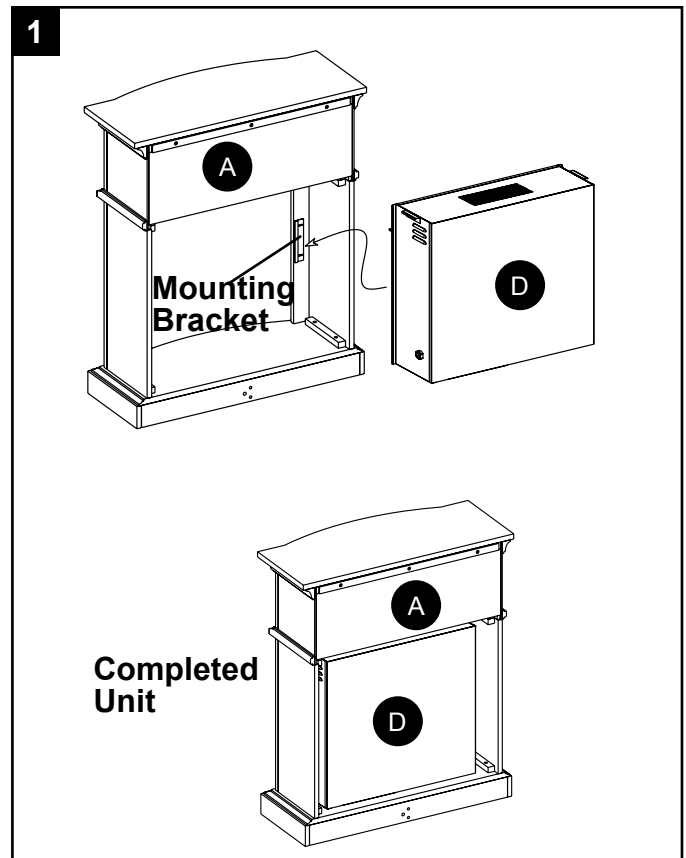
Tools Required for Assembly (not included): Phillips screwdriver, scissors and utility knife

## ASSEMBLY INSTRUCTIONS

1. Remove the two mounting brackets attached to the back of the left and right front panels on mantel (A) by removing the two screws on each mounting bracket. Set aside.  
PLEASE READ ALL "ELECTRIC FIREPLACE INSERT" INSTRUCTIONS PRIOR TO INSTALLING INSERT (D) INTO THE MANTEL (A). INSTALL THE INSERT (D) INTO THE MANTEL (A) CLOSE TO ITS FINAL POSITION.

Lift insert (D) carefully into the back of the mantel (A) and center the insert (D) in the opening. Do not drag insert (D) as it may scratch the unit. Re-install the previously removed mounting brackets to hold the insert (D) flush against the inside of the front panels of mantel (A).

Note: Move the completed unit only short distances and with great care. It takes two people to move completed unit into its final position.


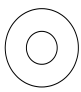
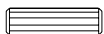


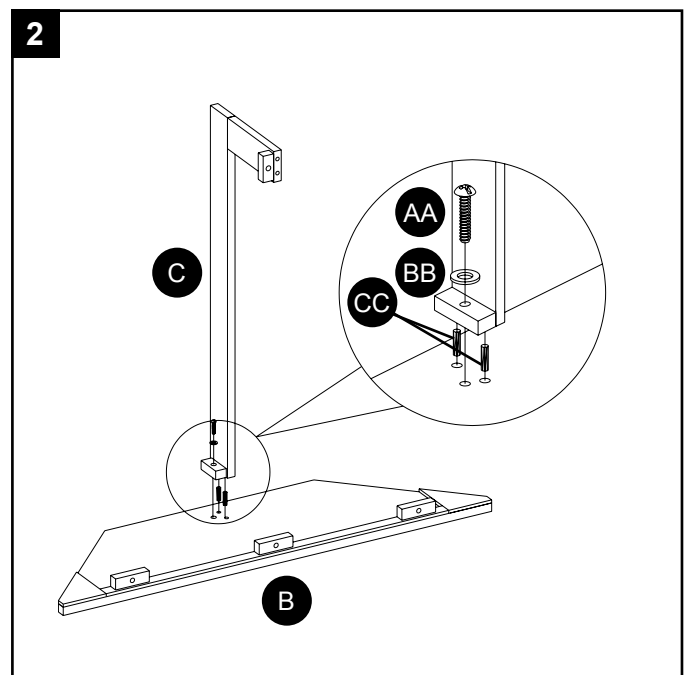
### OPTIONAL CORNER EXTENSION

WARNING: Two people are recommended to perform steps 2 and 3.

2. Set "L" corner brace (C) and top corner extension (B) face down on a scratch-free surface. Insert one wood dowel (CC) into each of the pre-drilled holes on top corner extension (B). Attach the "L" corner brace (C) to top corner extension (B), securing with bolt (AA) and washer (BB)  
HAND TIGHTEN ONLY.

#### Hardware Used

AA	Bolt		x 1
BB	Washer		x 1
CC	Wood Dowel		x 2




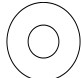



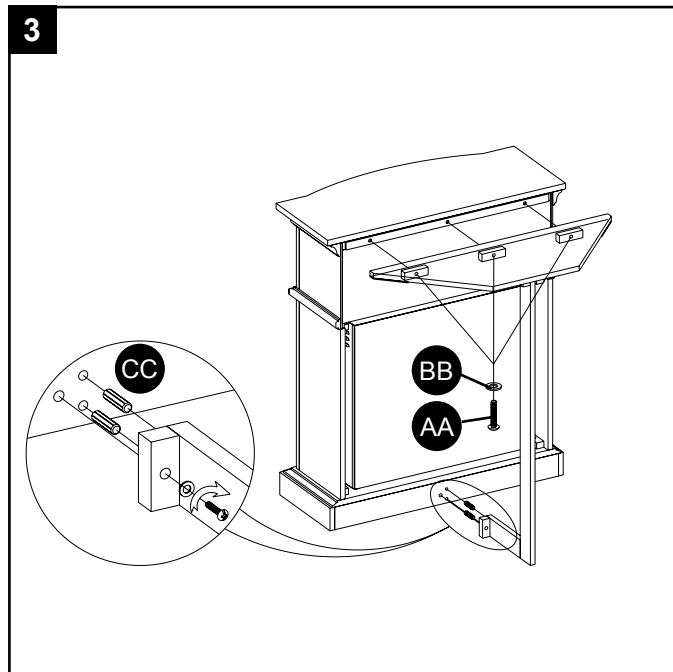
3. Carefully slide the complete assembly from step 2 into place at back of the mantel (A). Insert one wood dowel (CC) into each of the pre-drilled holes on the mantel (A). Secure with bolts (AA) and washers (BB) through the pre-drilled holes in the mounting blocks.

**HAND TIGHTEN ONLY.**

Now you may tighten all bolts with a Phillips screwdriver (not included). Be careful not to overtighten.

**Hardware Used**

<b>AA</b>	Bolt		x 4
<b>BB</b>	Washer		x 4
<b>CC</b>	Wood Dowel		x 2



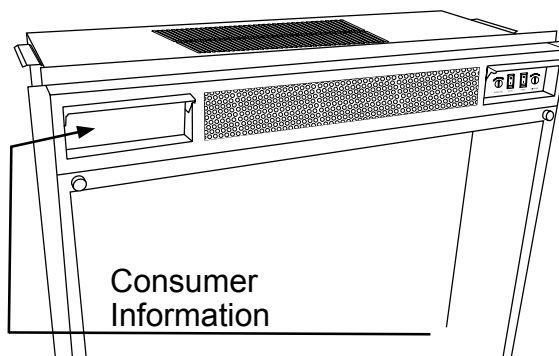
**OPERATING INSTRUCTIONS**

**TO ACCESS CONTROL PANEL**

Control panel can be accessed at upper right-hand corner of insert (D) by pushing and lifting up the small door.

**TO ACCESS CONSUMER INFORMATION**

Consumer service information can be accessed at the upper left-hand corner of the electrical fireplace by pushing and lifting the small door.



**Fig. 1**

## POWER

The power switch supplies power to all of the functions of the fireplace.

## HEATER

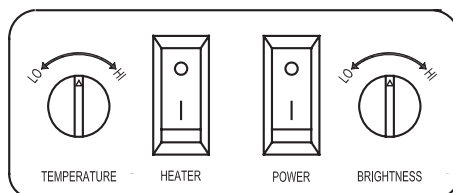
The fireplace consists of a fan-forced wire-element-type heater. The heater switch turns the heater ON and OFF. As an important safety feature, the heating element is designed with a delayed activation sequence. When the heater is turned ON it will take several seconds for the unit to begin blowing hot air and the fan blower will continue to run for several seconds after the heater is switched OFF.

## TEMPERATURE

The temperature control knob regulates the temperature level of the heater. Turning the knob clockwise will increase the heat output. The further the knob is rotated clockwise, the higher the set point temperature. Turning the knob counterclockwise will lower the set point temperature. Use this function to help regulate the ambient temperature level.

## BRIGHTNESS

The flame brightness control knob adjusts the flame brightness. Turning the knob to the left (counterclockwise) dims the lights and flame effect. Turning the knob to the right brightens the lights and flame effect.



## CARE AND MAINTENANCE

---

- Dust your fireplace regularly with a soft non-lint producing cloth or household dusting product.
- Clean your fireplace with a gentle non-abrasive household cleaner. Make sure to dry your fireplace immediately with a soft cloth or towel.
- Tips for using touch-up pen (DD): For scratches, stroke in direction of scratch. For worn areas, stroke in direction of wood grain. Rub excess colorant promptly with a soft cloth.
- The motors used on the fan and the flame generator assembly are pre-lubricated for extended bearing life and require no further lubrication. However, we recommend periodic cleaning/vacuuming of the fan/heater.
- Make sure the unit is turned off and unplugged whenever you are cleaning the heater or fireplace.

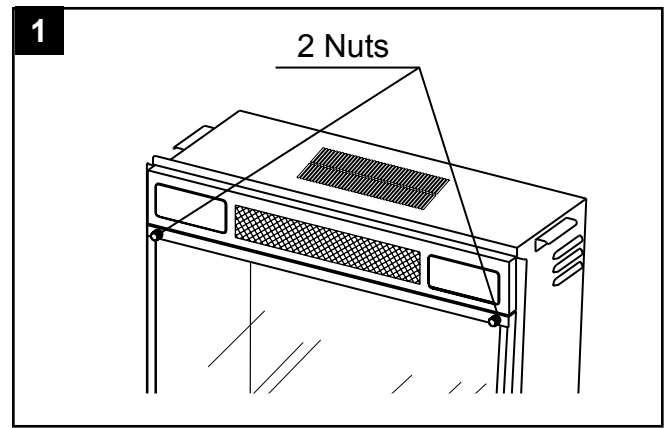
## CLEANING TRIM

Clean the metal trim using a soft cloth, slightly dampened with a citrus oil-based product and buff with a clean soft cloth. Do not use brass polish or household cleaners as these products will damage the metal trim. Citrus oil-based products can be obtained at supermarkets or hardware stores.

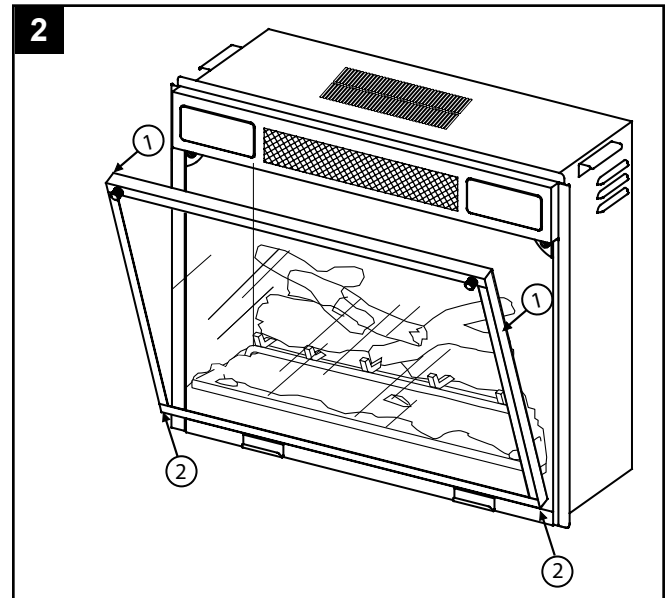
## REPLACING THE LIGHT BULBS

This electric fireplace uses two clear 120-volt, 40-watt, E12 candelabra-base light bulbs. For convenience, if a bulb burns out, it is a good idea to replace all the bulbs at the same time. Refer to the steps below.

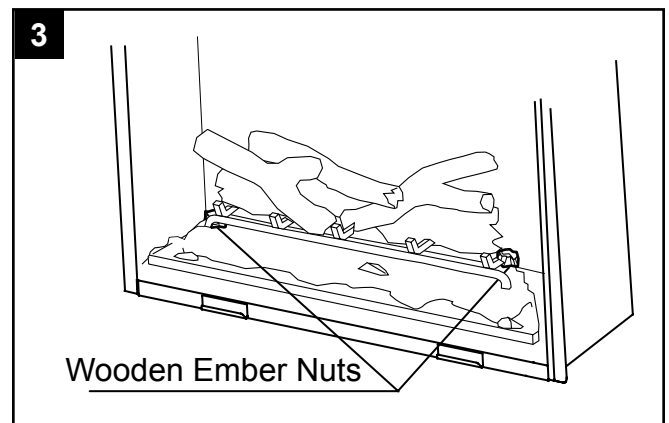
1. Turn the master power switch off, then unplug the power cord from the wall outlet.  
If fireplace has been operating, let the unit cool at least 2 hours.  
Locate and rotate the 2 nuts on the glass holder counterclockwise to loosen the glass from insert.



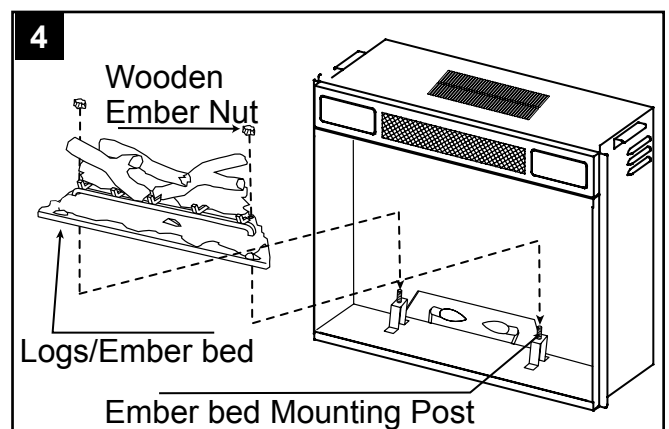
2. Carefully tilt glass and frame forward a couple of inches. Then pull complete glass assembly up and away from unit.



3. Locate the two ember bed nuts on the left and right sides of the log set. These securing nuts are disguised as wooden embers.

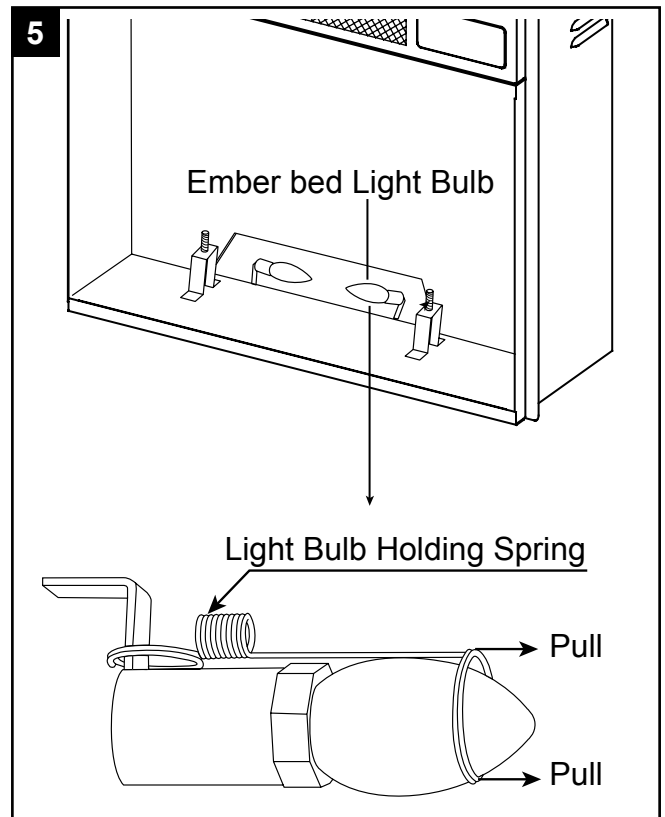


4. Turn nuts counterclockwise to loosen; remove and set aside. Securely grab logs on left and right side and lift log/ember bed assembly straight up. Once ember bed has cleared the support bracket and threaded rods, bring log/ember bed assembly forward and out of unit and set aside in a safe place.



5. Unhook light bulb spring clips from the bulbs, and unscrew the bulbs. After replacing the bulbs make sure to replace the light bulb spring clip. Remember to replace all the bulbs at the same time with clear 120-volt, 40-watt E12 light bulbs.

Follow steps 1 through 4 in reverse order to reinstall glass and frame into your insert.



**WARNING:** Do not exceed 40 watts per bulb. Use of higher-rated bulbs may result in a fire, causing property damage or personal injury.

## TROUBLESHOOTING

PROBLEM	POSSIBLE CAUSE	CORRECTIVE ACTION
No power, switches do not light up.	Power cord was not plugged in the outlet.	Check that unit is plugged into a standard 120V outlet.
Switches light up, but no flame effect.	Bulbs are broken or loose	Remove front glass door and check for any broken light bulbs or loose light bulbs.
Logs glow, flame effect does not work.	<p>a. Spinner has fallen off from bracket.</p> <p>b. Spinner motor doesn't work.</p>	<p>a. Open back of unit. Check to see if "spinner" is correctly mounted to the rear of unit.</p> <p>b. Check to see if spinning motor is functioning. If not, call customer service.</p>
Flame effect operates, but heater does not blow warm air.	<p>a. Heater switch is in "OFF" position.</p> <p>b. "Thermostat" is on "LO"</p>	<p>a. Check that heater switch is in "ON" position. Switch should light up.</p> <p>b. Make certain that thermostat is turned to the "HI" position.</p>
Heater doesn't work, but Power and Heater switches are in the "ON" position and thermostat is set on "HI".	The product is on the protected status.	Turn all switches to the "OFF" position and unplug the unit from the wall outlet for 5 minutes. After 5 minutes plug the unit back into wall outlet, and operate as normal.

## 1-YEAR LIMITED WARRANTY

---

The manufacturer warrants this product to be free from manufacturing and material defects for a period of one year from date of purchase, subject to the following conditions and limitations.

1. Install and operate this electric fireplace in accordance with the installation and operating instructions furnished with the product at all times. Any unauthorized repair, alteration, willful abuse, accident, or misuse of the product shall nullify this warranty.
2. This warranty is non-transferable and is made to the original owner, provided that the purchase was made through an authorized supplier of the product.
3. The warranty is limited to the repair or replacement of part(s) found to be defective in material or workmanship, provided that such part(s) have been subjected to normal conditions of use and service, after said defect is confirmed by the manufacturer's inspection.
4. This warranty does not cover the light bulb(s) included with the electric fireplace.
5. The manufacturer may, at its discretion, fully discharge all obligations with respect to this warranty by refunding the wholesale price of the defective part(s).
6. Any installation, labor, construction, transportation, or other related costs/expenses arising from defective part(s), repair, replacement, or otherwise of same, will not be covered by this warranty, nor shall the manufacturer assume responsibility for same.
7. The owner/user assumes all other risks, if any, including the risk of any direct, indirect or consequential loss or damage arising out of the use, or inability to use the product, except as provided by law.
8. All other warranties – expressed or implied –with respect to the product, its components and accessories, or any obligations/liabilities on the part of the manufacturer are hereby expressly excluded.
9. The manufacturer neither assumes, nor authorizes any third party to assume, on its behalf, any other liabilities with respect to the sale of the product.
10. The warranties as outlined within this document do not apply to non accessories used in conjunction with the installation of this product.

**This warranty is void if:**

- a. The fireplace is subjected to prolonged periods of dampness or condensation.
- b. There is any unauthorized alteration, willful abuse, accident, or misuse of the product.
- c. You do not have the original receipt of purchase.

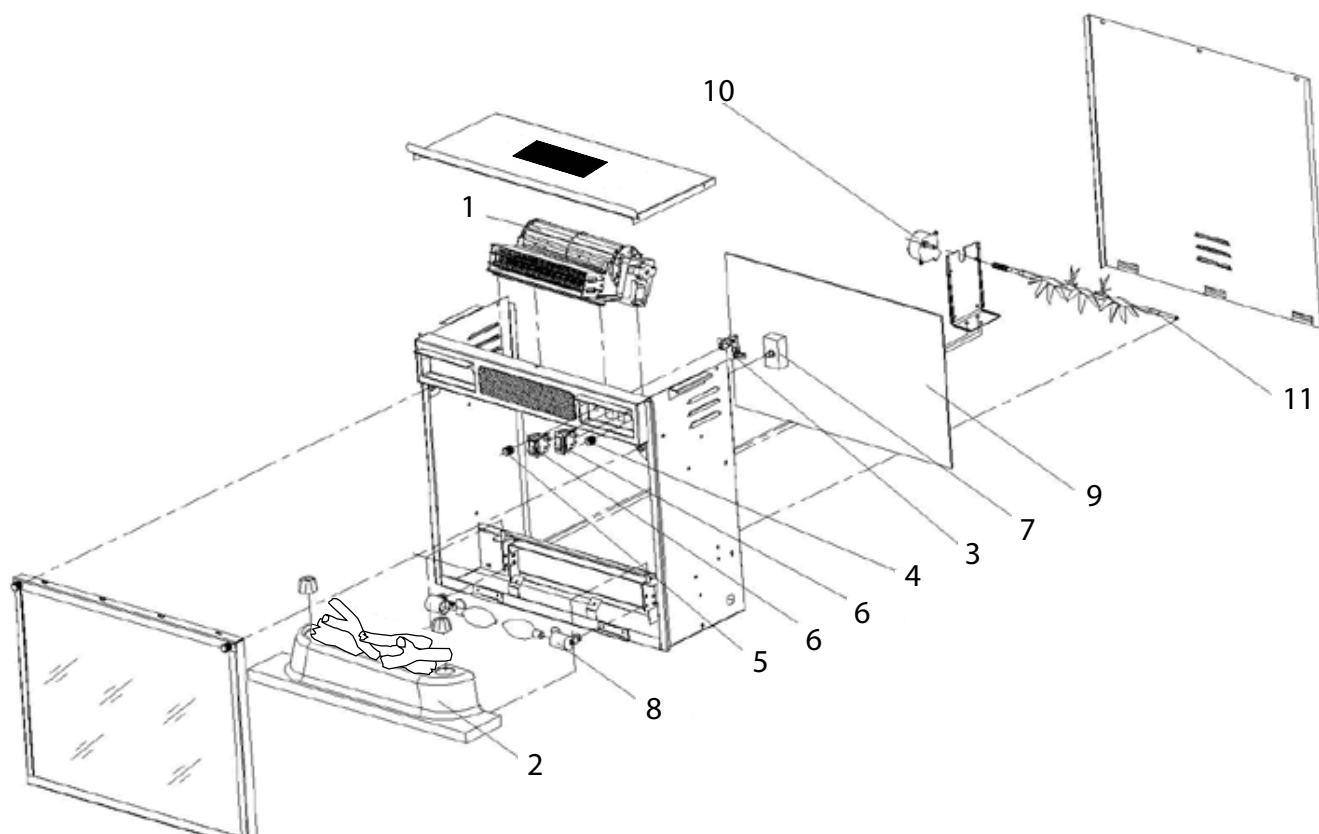
**IF WARRANTY SERVICE IS NEEDED**

Contact our customer service department at 1-877-888-8225, 8 a.m. - 8 p.m., EST, Monday - Friday. Make sure you have your warranty, your sales receipt, location of purchase and the model/serial number of your product.

## REPLACEMENT PARTS LIST

For replacement parts, call our customer service department at 1-877-888-8225, 8 a.m. - 8 p.m., EST, Monday - Friday.

I.D. No.	Description	Part No. 23EF010GAA
1	Heater/Blower Assembly	Y07-C26-P01
2	Ember bed	Y07-C27-P02
3	Thermostat Switch	P03
4	Knob for Brightness Control	Y07-C26-P04
5	Knob for Heater Temperature Control	Y07-C26-P05
6	Main Power Switch - Red Toggle	P06
7	Heater On/Off Switch - Red Toggle	P06
8	E-12 Light Bulb Socket Assembly	Y07-C29-P08
9	Front Projection Screen	Y07-C27-P09
10	Flame Generator Drive Motor	P10-Q
11	Flame Generator/Spinner	Y07-C27-P11



Printed in China

Style Selections® is a registered trademark of LF, LLC. All rights reserved.