

Homeowners Guide

Bath Whirlpool

K-1109, K-1109-H, K-1109-HL,
K-1109-HR, K-1109-LA, K-1109-NG,
K-1109-RA, K-1109-Y2, K-1109P,
K-1109P-LA, K-1109P-RA, K-1109P-Y2,
K-1122-H, K-1122-HL, K-1122-HR,
K-1122-LA, K-1122-RA, K-1124,
K-1124-H, K-1124-HL, K-1124-LA,
K-1124-RA, K-1151, K-1151-HL,
K-1151-HR, K-1151-LA, K-1151-RA,
K-1151P-HL, K-1151P-HR, K-1151P-LA,
K-1151P-RA, K-1357, K-1357-H,
K-1357-HL, K-1357-HR, K-1357-LA,
K-1357-RA, K-1357P, K-1357P-LA,
K-1357P-RA, K-1357P-Y2

Write model number here:

Écouter le numéro du modèle ici:

Escriba el número del modelo aquí: _____

M product numbers are for Mexico (i.e. K-12345**M**)

Los números de productos seguidos de **M** corresponden a México

(Ej. K-12345**M**)

Français, page "Français-1"

Español, página "Español-1"

THE BOLD LOOK
OF **KOHLER**®

1010997-5-H

Important Information

INSTRUCTIONS PERTAINING TO A RISK OF FIRE, ELECTRICAL SHOCK, OR INJURY TO PERSONS

READ AND FOLLOW ALL INSTRUCTIONS

SAVE THESE INSTRUCTIONS



WARNING: When using electrical products, basic precautions should always be followed, including the following:



DANGER: Risk of personal injury. To reduce the risk of injury, do not permit children to use this unit unless they are closely supervised at all times.



WARNING: Risk of personal injury. To avoid injury, exercise care when entering or exiting the whirlpool.



WARNING: Risk of electric shock. Do not permit electric appliances (such as a hair dryer, lamp, telephone, radio, or television) within 5' (1.5 m) of this whirlpool.



WARNING: Risk of hyperthermia. People using medications and/or having an adverse medical history should consult a physician before using a whirlpool equipped with a heater.

Use this whirlpool only for its intended purpose as described in this manual. Do not use attachments not recommended by the manufacturer.

Never drop or insert any object into any opening. Keep small objects such as bath toys and bathing accessories out of the whirlpool while the unit is running.

Do not operate this unit without the guard (cover) over the suction fitting.

The whirlpool must be connected only to a supply circuit that is protected by a Ground-Fault Circuit-Interrupter (GFCI) or Residual Current Device (RCD). Such a GFCI or RCD should be provided by the installer and should be tested on a routine basis. To test the GFCI or RCD, press the test button. The GFCI or RCD should interrupt power. Press the reset button. Power should be restored. If the GFCI or RCD fails to operate in this manner, the GFCI or RCD is defective. If the GFCI or RCD interrupts power to the bath without the test button being pressed, a ground current is flowing, indicating the possibility of an electric shock. Do not use this whirlpool bath. Disconnect the whirlpool and have the problem corrected by a qualified service representative before using.

NOTE: If the pump supply cord is damaged, it must be replaced by the manufacturer, its service agent or similarly qualified persons in order to avoid a hazard. The heater supply cord cannot be replaced. If the cord is damaged the heater should be scrapped.



WARNING: The use of alcohol, drugs, or medication can greatly increase the risk of fatal hyperthermia. Prolonged immersion in hot water may induce hyperthermia. Hyperthermia occurs when the internal temperature of the body reaches a level several degrees above the normal body temperature of 98.6°F (37°C). The symptoms of hyperthermia include an increase in the internal temperature of the body, dizziness, lethargy, drowsiness, and fainting. The effects of hyperthermia include: (a) failure to perceive heat, (b) failure to recognize the need to exit the bath, (c) unawareness of impending hazard, (d) fetal damage in pregnant women, (e) physical inability to exit the bath, and (f) unconsciousness resulting in the danger of drowning.

NOTE: Flush your whirlpool system twice a month or more depending upon usage, as described in the "Flush System" section in this manual.

Do not allow the water temperature in the whirlpool to exceed 104°F (40°C).

Repeated use of personal care products containing oils can damage plastic whirlpool components. Do not use heavy, vegetable-based shampoos or bath oils.

Important Information (cont.)

Whirlpool hydro-massage action can cause even a small amount of bubble bath, bath soap, shampoo, or bath oil to foam excessively. For this reason, please do not use these products during whirlpool operation.

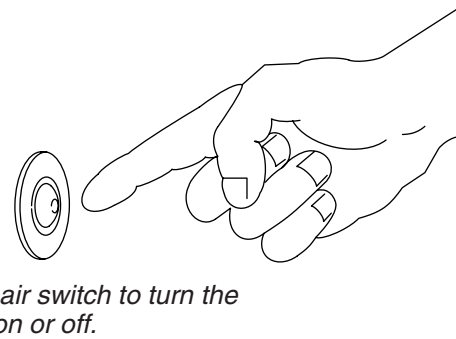
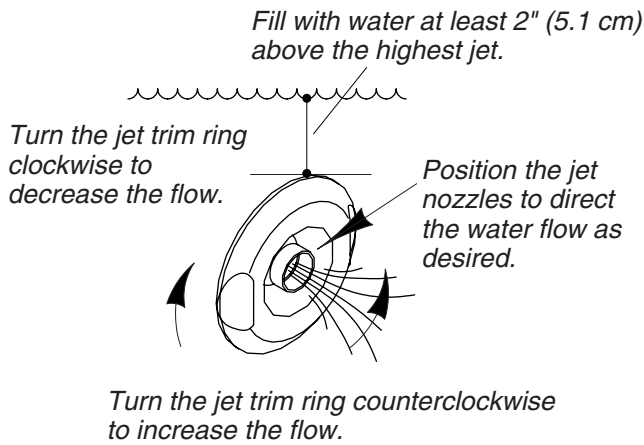
Your new Kohler whirlpool has been listed by Underwriter's Laboratories, ensuring safety for you and your family. This whirlpool also conforms to rigid ANSI and IAPMO standards set within the plumbing industry.

Thank You For Choosing Kohler Company

Thank you for choosing Kohler Company. Your Kohler Company product reflects the true passion for design, craftsmanship, artistry, and innovation Kohler Company stands for. We are confident its dependability and beauty will surpass your highest expectations, satisfying you for years to come.

All information in this guide is based upon the latest product information available at the time of publication. At Kohler Company, we strive to fulfill our mission of improving the level of gracious living for each person who is touched by our products and services. We reserve the right to make changes in product characteristics, packaging, or availability at any time without notice.

Please take a few minutes to review this guide. Pay special attention to the care and cleaning instructions.



Your Kohler Whirlpool

Components

Your new whirlpool is designed to stimulate, invigorate, and energize your body with comforting hydro-massage therapy. The whirlpool consists of the following components:

- **Bath** - acts as a reservoir for water, and provides a location for the hydro-massage action.
- **Air Actuator Control** - located within easy reach, the air actuator control turns the whirlpool on and off through the activation of a reliable sensing device.
- **Pump Motor** - provides quiet power to circulate the water and create the soothing hydro-massage action.
- **Adjustable Jets** - positioned to optimize their hydro-massage effect, the jets allow you to adjust the air and water flow and control the flow direction as you desire.
- **Heater (-H models only)** - designed to automatically help maintain the temperature of the water up to 104°F (40°C) to enhance your hydro-massage experience. The heater turns on automatically when the whirlpool is running, and turns off when the pump motor is turned off.
- **Timer Kit (available as an optional accessory)** - automatically stops the pump after about 20 minutes of continuous whirlpool operation.
- **Integral or Removable Apron (available on select models)** - designed to complement the style and contours of your whirlpool. The whirlpool apron also provides easy front side access to the pump and controls in case servicing is necessary.

Operation

- Position the jet nozzles to face down toward the basin. Turn the jet trim rings fully counterclockwise.

NOTE: The water temperature in the whirlpool should never exceed 104°F (40°C).

- Close the drain, then fill the whirlpool to a level at least 2" (5.1 cm) above the top of the highest jet.
- Use your hand to test the water temperature for comfort and safety, then carefully enter the basin.
- Press the air actuator to turn on the whirlpool.
- Adjust the jets for optimum air/water mixture. Turn the jet trim rings clockwise to reduce the flow or counterclockwise to increase the flow. Position the jet nozzles to direct the water flow as desired to maximize your hydro-massage experience.
- Press the air actuator a second time to turn off the whirlpool.
- Carefully exit the basin, then open the drain to empty the whirlpool.

NOTE: If the whirlpool does not function properly, please refer to the "Troubleshooting" section.

Care and Cleaning

For best results, keep the following in mind when caring for your KOHLER product:

- Always test your cleaning solution on an inconspicuous area before applying to the entire surface.
- Wipe surfaces clean and rinse completely with water immediately after applying cleaner. Rinse and dry any overspray that lands on nearby surfaces.
- Do not allow cleaners to soak on surfaces.
- Use a soft, dampened sponge or cloth. Never use an abrasive material such as a brush or scouring pad to clean surfaces.

For detailed cleaning information and products to consider, visit www.kohler.com/clean. To order Care & Cleaning information, call 1-800-456-4537.

Flush System

NOTE: Flush your whirlpool system twice a month or more, depending upon usage.

- Turn the jet trim rings fully clockwise to reduce air induction.
- Fill the whirlpool with hot water to a level at least 2" (5.1 cm) above the highest jet.
- Add 2 teaspoons (10 ml) of a low-foaming, powder automatic dishwasher detergent and 20 ounces (590 ml) of household bleach (5% - 6% sodium hypochlorite) to the water.
- Run the whirlpool for 5 to 10 minutes. Turn off the whirlpool and drain.
- If desired, rinse the bath surfaces with water.
- Rinse the surfaces of the jets, faucet, handrails, and drain, and wipe them dry with a soft cloth.

Limited One-Year Warranty

ONE-YEAR LIMITED WARRANTY

KOHLER plumbing products are warranted to be free of defects in material and workmanship for one year from date of installation.

Kohler Co. will, at its election, repair, replace or make appropriate adjustment where Kohler Co. inspection discloses any such defects occurring in normal usage within one (1) year after installation. Kohler Co. is not responsible for removal or installation costs. **Use of in-tank toilet cleaners will void the warranty.**

To obtain warranty service contact Kohler Co. either through your Dealer, Plumbing Contractor, Home Center or E-tailer, or by writing Kohler Co., Attn.: Customer Care Center, 444 Highland Drive, Kohler, WI 53044, USA, or by calling 1-800-4KOHLER (1-800-456-4537) from within the USA and Canada, and 001-877-680-1310 from within Mexico.

IMPLIED WARRANTIES INCLUDING THAT OF MERCHANTABILITY AND FITNESS FOR A PARTICULAR PURPOSE ARE EXPRESSLY LIMITED IN DURATION TO THE DURATION OF THIS WARRANTY. KOHLER CO. AND/OR SELLER DISCLAIM ANY LIABILITY FOR SPECIAL, INCIDENTAL OR CONSEQUENTIAL DAMAGES. Some states/provinces do not allow limitations on how long an implied warranty lasts, or the exclusion or limitation of special, incidental or consequential damages, so these limitations and exclusions may not apply to you. This warranty gives you specific legal rights. You may also have other rights which vary from state/province to state/province.

This is Kohler Co.'s exclusive written warranty.

One-Year Warranty

KOHLER CO.

It is recommended that at the time of purchase, you verify that all accessories and components are complete in this package.

This Kohler product is warranted to be free of defects in material and workmanship for one (1) year from the date of purchase as shown on the invoice or receipt.

1. Kohler Co. will only service its commercialized products through its authorized distributors.
2. To obtain warranty service, please present the invoice and corresponding warranty.

One-Year Warranty (cont.)

3. Through its authorized distributors, Kohler Co. promises to repair the defective product or provide a new replacement or an equivalent model (in those cases that the model has been discontinued) when the product is beyond repair, without any charge to the consumer.

4. The time of repair will not exceed six (6) weeks commencing on the date the product is received.

5. It is recommended that the consumer save the invoice or receipt as additional protection, as it may substitute the warranty in the case that there is a discrepancy in the validity of the warranty.

EXCEPTIONS AND RESTRICTIONS

The Warranty will not be valid in the following cases:

1. When the product is not operated in accordance with the instructions concerning use and operation set forth in the owner's manual or installation instructions, and when the recommendations and warnings included are not observed.

2. When the product has been modified or dismantled partially or totally; or has been used in a negligent fashion and as a consequence has suffered damages attributable to the consumer, individual, or hardware not authorized by Kohler Co.

3. This warranty does not cover the damages as a result of disaster such as fire or acts of God, including flooding, earthquake, or electric storms, etc. To obtain a list of distributors in your area where you can exercise your rights under this warranty, please call 001-877-680-1310.

KOHLER CO., KOHLER, WI 53044 U.S.A.

IMPORTER:

INTERNACIONAL DE CERÁMICA, S.A.B. DE C.V.

AV. CARLOS PACHECO NO. 7200

CHIHUAHUA, CHIH., MEXICO C.P. 31060

TEL: 52 (14) 29-11-11

Troubleshooting

This troubleshooting guide is for general aid only. A Kohler Authorized Service Representative or qualified electrician should correct any electrical problems. For warranty service, contact your dealer or wholesale distributor.

Symptoms	Probable Causes	Recommended Action
1. Whirlpool does not start/stop.	A. No power to pump motor. B. Air actuator does not work. C. Pump motor does not work.	A. Set/Reset GFCI or RCD breaker; check wiring. If the problem persists, refer to installer/dealer. B. Check air tube connections. Replace air actuator. Refer to installer/dealer. C. Replace pump motor. Refer to installer/dealer.
2. Motor starts, but all jets are not functioning.	A. Jet is closed. B. Jet not installed correctly. C. Jets are blocked.	A. Rotate jet trim counterclockwise to open. B. Reinstall jet; check for O-ring damage. C. Remove blockage.

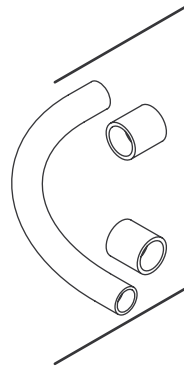
Troubleshooting (cont.)

Symptoms	Probable Causes	Recommended Action
3. Whirlpool stops by itself.	<p>A. GFCI or RCD trips.</p> <p>B. Suction is blocked.</p> <p>C. Jets are blocked.</p> <p>D. Motor overheated and protectoin device activated.</p>	<p>A. Identify source of fault and correct. If problem persists, refer to installler/dealer.</p> <p>B. Remove obstruction.</p> <p>C. Remove blockage.</p> <p>D. Check for blockage at motor vents. Remove blockage and allow motor to cool. Check for suction blockage. Remove blockage and allow motor to cool. Check for jet blockage. Remove blockage and allow motor to cool.</p>
4. Noisy operation.	<p>A. Pump banding straps have not been cut. (models with wooden support blocks only)</p> <p>B. Dry or dislodged jet O-ring (squeal).</p>	<p>A. Cut pump banding straps with tin snips.</p> <p>B. Remove jet, replace and lubricate O-ring, and reinstall jet.</p>
5. Heater does not operate.	<p>A. No power to heater.</p> <p>B. Water temperature exceeds 104°F (40°C).</p> <p>C. Heater does not work.</p>	<p>A. Set/Reset GFCI or RCD breaker.</p> <p>B. Allow water to cool; heater will re-engage.</p> <p>C. Replace heater. Refer to installer/dealer.</p>

1041995**
Air Switch

To Pump

1042083
Tubing Nut



93836 (1/2")
93838 (1")
93839 (1-1/4")
94853 (1-1/2")
Tube (with Couplings)

91967
Check Valve

1011001
Flange Removal Tool

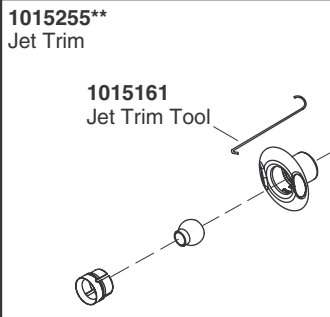
67665
Plug

1008241
Gasket

1013250
Nut

1013249
Nozzle

1008238
Jet Housing



1015255**
Jet Trim

1015161
Jet Trim Tool

1008239
Flange

73518
Plug

93685
Housing

96895**
Suction Cover

96708
Flange

65886
Gasket

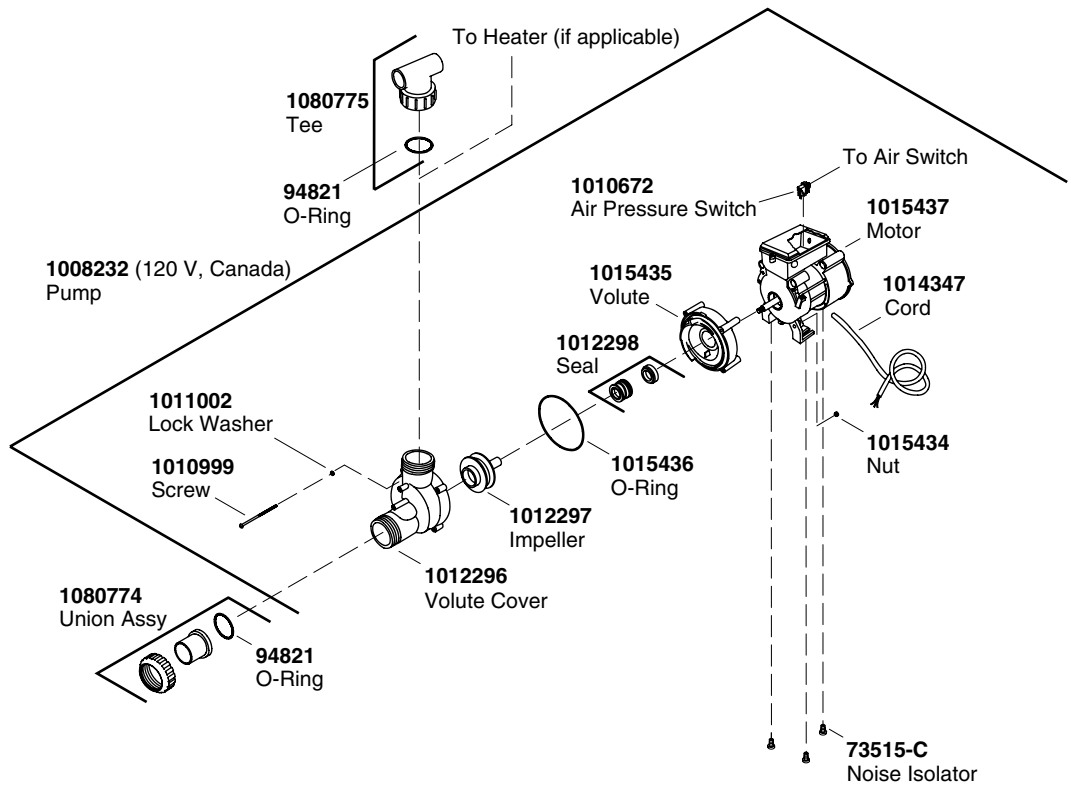
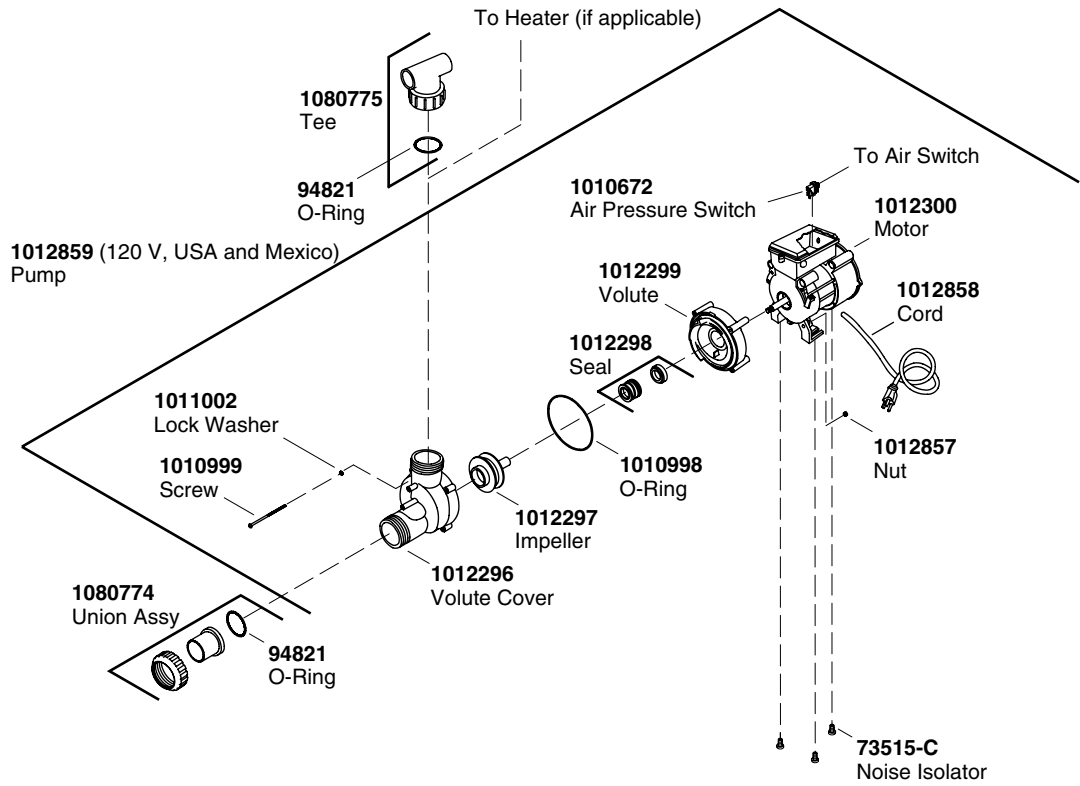
65226**
Suction Cover Plug

65054**
Screw

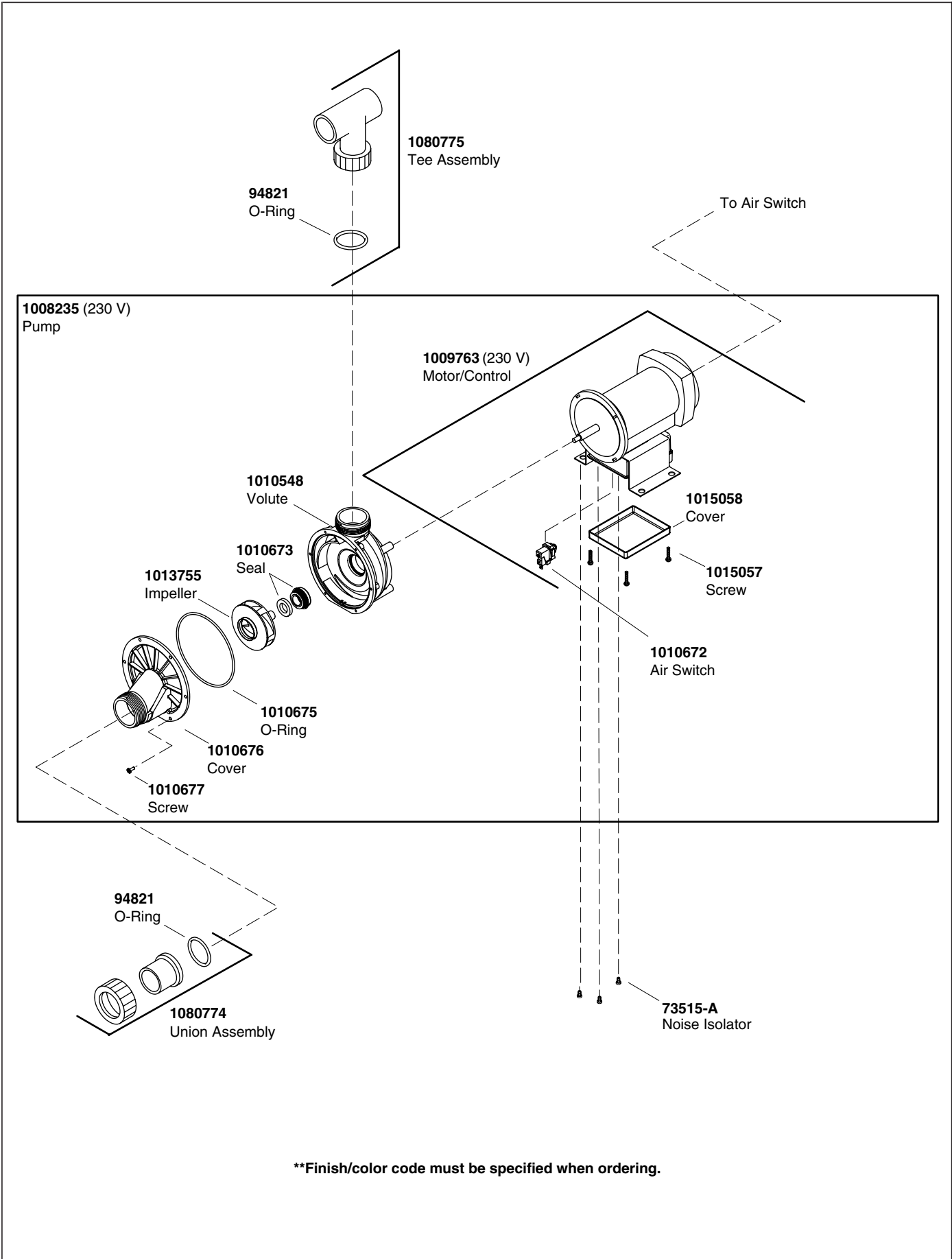
1003065
Suction Flange
Removal Tool

****Finish/color code must be specified when ordering.**

Service Parts



****Finish/color code must be specified when ordering.**



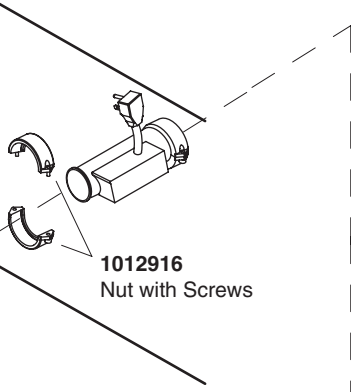
****Finish/color code must be specified when ordering.**

1009718 (120 V, USA/Mexico)
In-line Heater

94821
O-Ring



1012653
Adapter



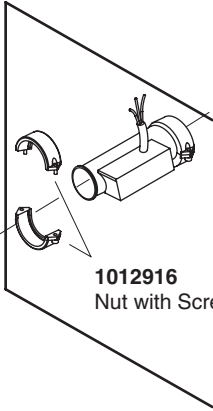
1012916
Nut with Screws

1009719 (120 V, Canada)
In-line Heater

94821
O-Ring



1012653
Adapter



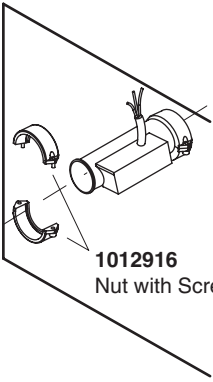
1012916
Nut with Screws

1009720 (230 V)
In-line Heater

94821
O-Ring



1012653
Adapter



1012916
Nut with Screws



1012653
Adapter

94821
O-Ring

****Finish/color code must be specified when ordering.**

Guide du propriétaire

Baignoire à hydromassage

Informations importantes

INSTRUCTIONS RELATIVES AUX RISQUES D'INCENDIE, D'ÉLECTROCUTION OU DE BLESSURES CORPORELLES

LIRE ET SUIVRE TOUTES LES INSTRUCTIONS

CONSERVER CES INSTRUCTIONS



AVERTISSEMENT : Lors de l'utilisation des produits électriques, des précautions de base doivent toujours être observées, incluant ce qui suit :



DANGER : Risque de blessures corporelles. Afin de réduire les risques de blessures, ne jamais permettre à un enfant d'utiliser cet appareil sans surveillance.



AVERTISSEMENT : Risque de blessures corporelles. Pour éviter les blessures corporelles, entrer et sortir avec précaution de la baignoire à hydromassage.



AVERTISSEMENT : Risque d'électrocution. Ne pas raccorder d'appareils électriques (tels que sèche-cheveux, lampe, téléphone, radio ou télévisions) dans les 5' (1,5 m) de cette baignoire à hydromassage.



AVERTISSEMENT : Risque d'hyperthermie. Les personnes sous médicaments ou qui sont en observation médicale doivent consulter leur médecin avant d'utiliser des baignoires à hydromassage équipées de chauffe-eau.

Utiliser cette baignoire à hydromassage uniquement pour un usage tel que décrit dans ce manuel. Ne pas utiliser des fixations non recommandées par le fabricant.

Ne jamais faire tomber ou insérer d'objet quelconque dans les ouvertures. Ne pas laisser de petits objets tels que des jouets ou accessoires pour le bain dans la baignoire à hydromassage lorsqu'elle est en marche.

Ne pas utiliser cet appareil sans ses protecteurs (couverts) sur ses raccords d'aspiration.

La baignoire à hydromassage doit être raccordée uniquement à une prise de terre, protégée par un disjoncteur différentiel (GFCI) ou un appareil de courant résiduel (RCD). De tels disjoncteurs GFCI ou RCD devraient être fournis par l'installateur et vérifiés régulièrement. Appuyer sur le bouton de test pour tester les disjoncteurs GFCI ou RCD. Le GFCI ou RCD devraient couper le courant. Appuyer sur le bouton de ré-initialisation. L'alimentation devrait être restituée. Si les disjoncteurs GFCI ou RCD ne fonctionnent pas de cette façon, l'un ou l'autre est défectueux. Si les disjoncteurs GFCI ou RCD stoppent l'alimentation électrique à la baignoire sans que le bouton test ne soit utilisé, il y a donc un court circuit indiquant la possibilité de choc électrique. Ne pas utiliser pas cette baignoire à hydromassage. Débrancher la baignoire à hydromassage et la faire réviser par un technicien qualifié avant son utilisation.

REMARQUE : Si le câble d'alimentation de la pompe est endommagé, il doit être remplacé par le fabricant, son représentant ou autre personnel similaire qualifié pour éviter tout danger. Le cordon d'alimentation du chauffe-eau ne peut pas être remplacé. Si le cordon est endommagé, le chauffe-eau devrait être retiré.

Informations importantes (cont.)



AVERTISSEMENT : La consommation d'alcool, de drogues ou de médicaments peuvent augmenter considérablement le risque fatal d'hyperthermie. Une immersion prolongée dans l'eau chaude peut provoquer l'hyperthermie. L'hyperthermie a lieu lorsque la température corporelle interne atteint plusieurs degrés au dessus de la température normale de 98,6°F (37°C). Les symptômes d'hyperthermie comprennent la hausse de la température corporelle, l'étourdissement, la léthargie, la somnolence et l'évanouissement. Les effets de l'hyperthermie comprennent: (a) défaut de percevoir la chaleur, (b) défaut de s'apercevoir du besoin de sortir de la baignoire, (c) incapacité de reconnaître le danger, (d) dommages au fœtus dans le cas des femmes enceintes, (e) incapacité physique de sortir de la baignoire et (f) inconscience et danger conséquent de noyade.

REMARQUE : Purger le système d'hydromassage deux fois par mois ou plus souvent selon la fréquence d'utilisation, tel que décrit dans la section « Purger le système » de ce guide.

Ne pas laisser la température de la baignoire à hydromassage excéder 104° F (40°C).

L'utilisation répétée de produits d'hygiène et de beauté contenant des huiles peut endommager les revêtements en plastique des composants de la baignoire à hydromassage. Ne pas utiliser de shampoings ou d'huiles de bains à bases végétales.

L'action de la baignoire à hydromassage peut considérablement faire mousser une quantité de produit moussant, même très petite, de savon, de shampoing ou d'huile pour le bain. Pour cette raison, nous vous conseillons de ne pas utiliser ces produits pendant le fonctionnement de la baignoire à hydromassage.

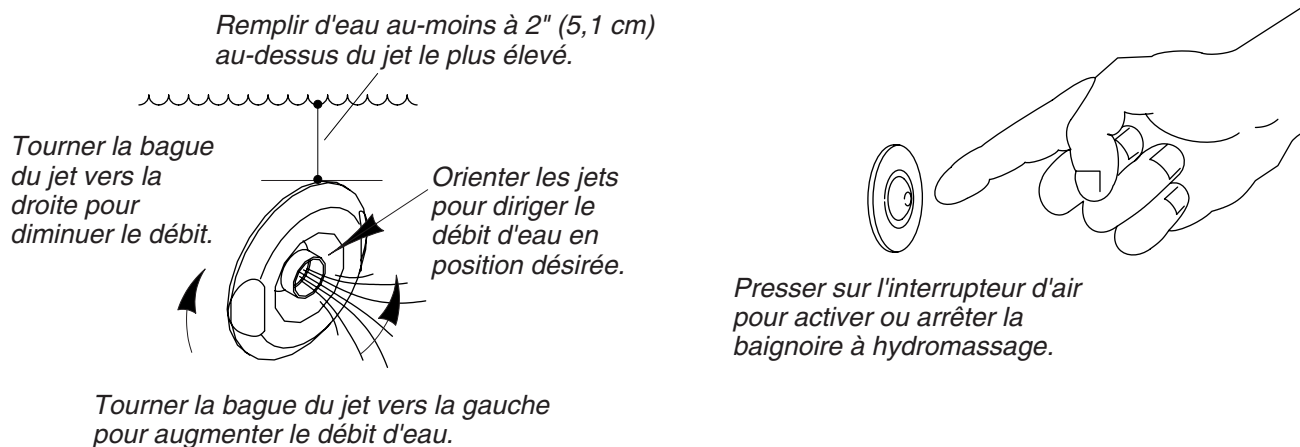
Votre nouvelle baignoire à hydromassage Kohler a été homologuée par l'Underwriter's Laboratories, assurant ainsi votre sécurité et celle de votre famille. Cette baignoire à hydromassage est aussi conforme aux normes ANSI et IAPMO établies pour l'industrie de la plomberie.

Merci d'avoir choisi la compagnie Kohler

Merci d'avoir choisi la compagnie Kohler. Votre produit de la compagnie Kohler reflète la véritable passion du design, d'artisanat, d'art et d'innovation représentant la compagnie Kohler. Nous sommes confiants que sa fiabilité et beauté surpasseront vos exigences les plus élevées, vous satisfaisant pendant les années à venir.

Toute information contenue dans ce guide est basée sur l'information la plus récente du produit disponible au moment de la publication. A la compagnie Kohler, nous aspirons à remplir notre mission d'améliorer le niveau de vie gracieux pour chaque individu affecté par nos produits et services. Nous nous réservons le droit d'apporter des modifications aux caractéristiques, aux emballages et à la disponibilité des produits à tout moment, et ce sans préavis.

Veillez prendre s'il vous plaît quelques minutes pour étudier ce guide. Prêter une attention toute particulière aux instructions d'entretien et de nettoyage.



Votre baignoire à hydromassage Kohler

Composants

Votre nouvelle baignoire à hydromassage est conçue pour relaxer, stimuler, revigorer et tonifier votre corps. La baignoire à hydromassage consiste en les éléments suivants:

- **Baignoire** - agit comme un réservoir d'eau, et fournit un espace pour l'action d'hydromassage.
- **Contrôle interrupteur d'air** - situé à portée de main, le contrôle interrupteur d'air active ou arrête la baignoire à hydromassage par l'intermédiaire d'un capteur sensible.
- **Moteur de pompe** - fournit une alimentation silencieuse et à vitesse variable pour faire circuler l'eau et créer l'action d'hydromassage.
- **Jets réglables** - positionnés de manière stratégique pour optimiser l'effet d'hydromassage, ils permettent d'ajuster le débit d'air et d'eau, ainsi que de contrôler la direction du jet selon le désir.
- **Chauffe-eau (modèles H uniquement)** - conçu pour aider à maintenir automatiquement la température de l'eau jusqu'à 104°F (40°C) et pour améliorer votre expérience d'hydromassage. Le chauffe-eau s'active automatiquement lorsque la baignoire à hydromassage est en service, puis il s'éteint lorsque le moteur de pompe s'arrête.
- **Kit de minuterie (disponible en option)** - arrête automatiquement la pompe après 20 minutes de fonctionnement continue de la baignoire à hydromassage.
- **Bandeau intégré ou amovible (disponible sur des modèles sélectionnés)** - conçus pour compléter le style et les contours de la baignoire à hydromassage. Le bandeau de la baignoire à hydromassage fournit également un accès frontal à la pompe et aux commandes pour les cas où un entretien s'avérerait nécessaire.

Fonctionnement

- Orienter les jets vers le fond du bassin. Tourner les bagues de garniture du jet complètement vers la gauche.

REMARQUE : La température de la baignoire à hydromassage ne doit pas excéder 104°F (40°C).

- Fermer le drain, puis remplir la baignoire à hydromassage à un niveau d'eau au moins 2" (5,1 cm) au-dessus du jet le plus élevé.
- Utiliser la main pour tester la température de l'eau pour le confort et la sécurité, puis entrer doucement dans la baignoire.
- Appuyer sur l'interrupteur d'air pour activer la baignoire à hydromassage.
- Ajuster les jets pour un mélange optimal de l'eau et de l'air. Tourner les bagues de garniture du jet vers la droite pour réduire le débit, ou vers la gauche l'augmenter. Placer les buses des jets de manière à diriger le débit d'eau tel que souhaité pour obtenir une expérience d'hydromassage optimale.
- Appuyer une deuxième fois sur l'actionneur d'air pour arrêter le bain à hydromassage.

Votre baignoire à hydromassage Kohler (cont.)

- Sortir du bassin avec précaution, puis ouvrir le drain pour vider la baignoire à hydromassage.

REMARQUE : Si la baignoire à hydromassage ne fonctionne pas correctement, se reporter à la section « Dépannage ».

Entretien et nettoyage

Pour de meilleurs résultats, prendre ce qui suit en considération lors de l'entretien de votre produit KOHLER:

- Toujours tester la solution de nettoyage sur une surface la moins évidente avant de l'appliquer sur la totalité de la surface.
- Essuyer les surfaces et rincer complètement avec de l'eau immédiatement après l'application du nettoyant. Rincer et sécher tout éclaboussement sur les surfaces avoisinantes.
- Ne pas laisser les nettoyants sur les surfaces.
- Utiliser une éponge ou un chiffon doux et humide. Ne jamais utiliser de matériau abrasif tel que brosse ou éponges à récurer pour nettoyer les surfaces.

Pour l'information détaillée de nettoyage et des produits à considérer, visiter www.kohler.com/clean. Pour commander des informations d'entretien et de nettoyage, composer le 1-800-456-4537.

Système de chasse

REMARQUE : Purger le système d'hydromassage deux fois par mois ou plus, selon la fréquence d'utilisation.

- Tourner les bagues de garniture du jet complètement vers la droite pour réduire l'induction d'air.
- Remplir la baignoire d'eau chaude à au moins 2" (5.1 cm) au-dessus du gicleur le plus élevé.
- Ajouter à l'eau 2 petites cuillères (10 ml) d'un détergent pour lave-vaisselle peu moussant et 20 onces (590 ml) d'eau de javel domestique (5% - 6% d'hypochlorite de sodium).
- Faire fonctionner la baignoire à hydromassage pendant 5 à 10 minutes. Arrêter la baignoire à hydromassage et purger.
- Si désiré, rincer les surfaces de la baignoire avec de l'eau.
- Rincer les surfaces des jets, le robinet, les barres d'appuis et le drain, et sécher avec un chiffon doux.

Garantie limitée d'un an

GARANTIE LIMITÉE D'UN AN

Les produits de plomberie KOHLER sont garantis contre tout défaut matériel et de fabrication pour un an, à partir de la date de l'installation.

Kohler Co. jugera à sa discrétion, de la réparation, du remplacement ou du réglage approprié et ceci après toute inspection faite par Kohler Co. de tous défauts dus à une utilisation normale et ceci pendant un (1) an à partir de la date d'installation. Kohler Co. n'est pas responsable des coûts de démontage ou d'installation. **L'utilisation de nettoyants à l'intérieur du réservoir annulera la garantie.**

Pour obtenir un service-garantie, contacter Kohler Co. par l'intermédiaire de votre vendeur, plombier, centre de rénovation, revendeur par internet ou par écrit à Kohler Co. à l'attention de: Customer Care Center (Service d'assistance à la clientèle), 444 Highland Drive, Kohler, WI 53044, USA, ou composer le 1-800-4KOHLER (1-800-456-4537) à partir des États-Unis et du Canada, et le 001-877-680-1310 à partir du Mexique.

LA DURÉE DES GARANTIES TACITES, Y COMPRIS CELLES DE QUALITÉ MARCHANDE ET D'APTITUDE À UN EMPLOI PARTICULIER, SE LIMITE EXPRESSÉMENT À LA DURÉE DE LA PRÉSENTE GARANTIE. KOHLER CO. ET/OU LE REVENDEUR DÉCLINENT TOUTE RESPONSABILITÉ CONTRE LES DOMMAGES PARTICULIERS, IMPRÉVUS OU DE CIRCONSTANCE.

Certains états/provinces ne permettent pas la limitation sur la durée de la garantie implicite, ou l'exclusion ou la limitation de dommages spéciaux, accessoires ou indirects, et, par conséquent, ces limitations et exclusions pourraient ne pas s'appliquer dans votre cas. Cette garantie vous donne des droits légaux

Garantie limitée d'un an (cont.)

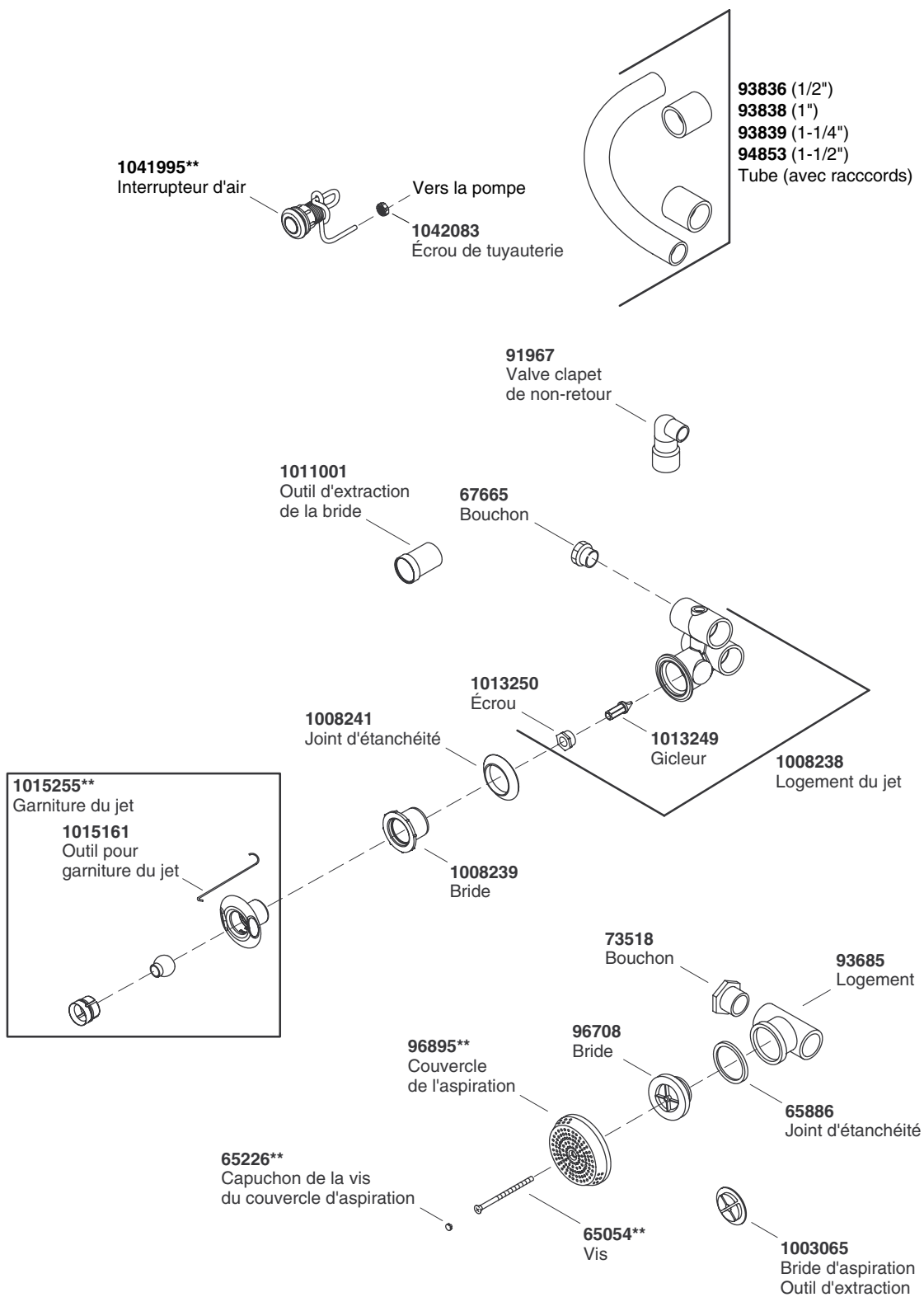
spécifiques. Vous pouvez également avoir d'autres droits qui varient d'un état/province à l'autre.

Ceci constitue la garantie écrite exclusive de Kohler Co.

Dépannage

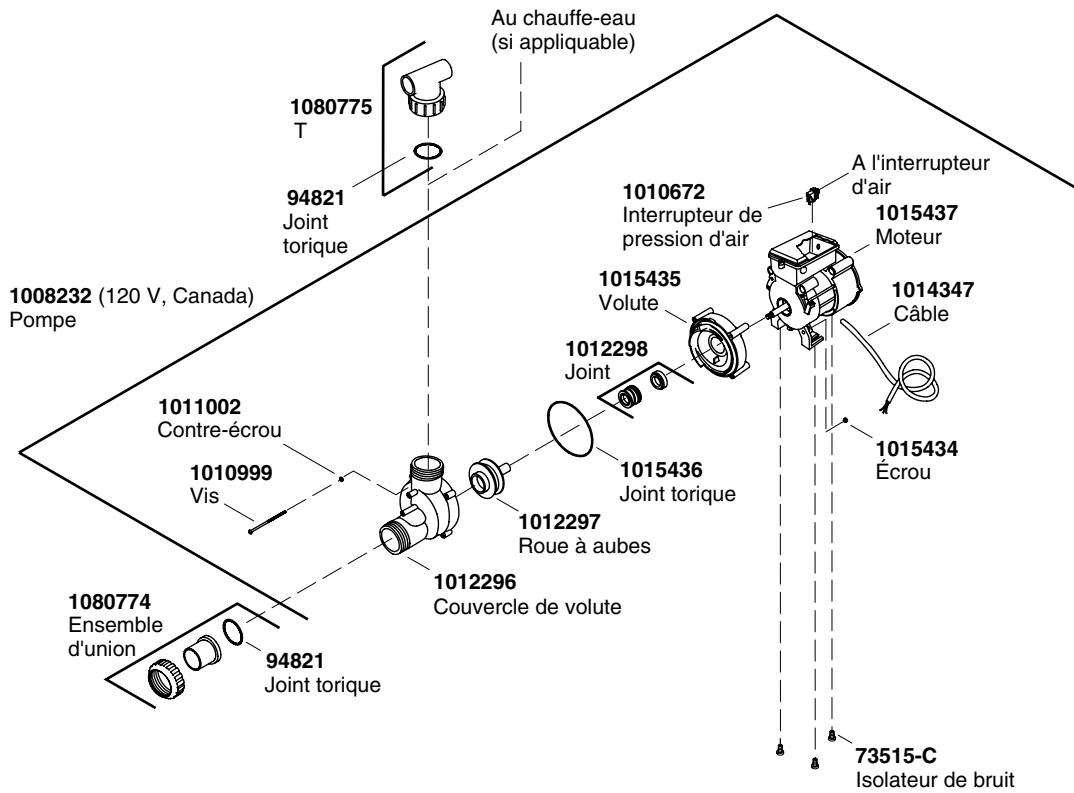
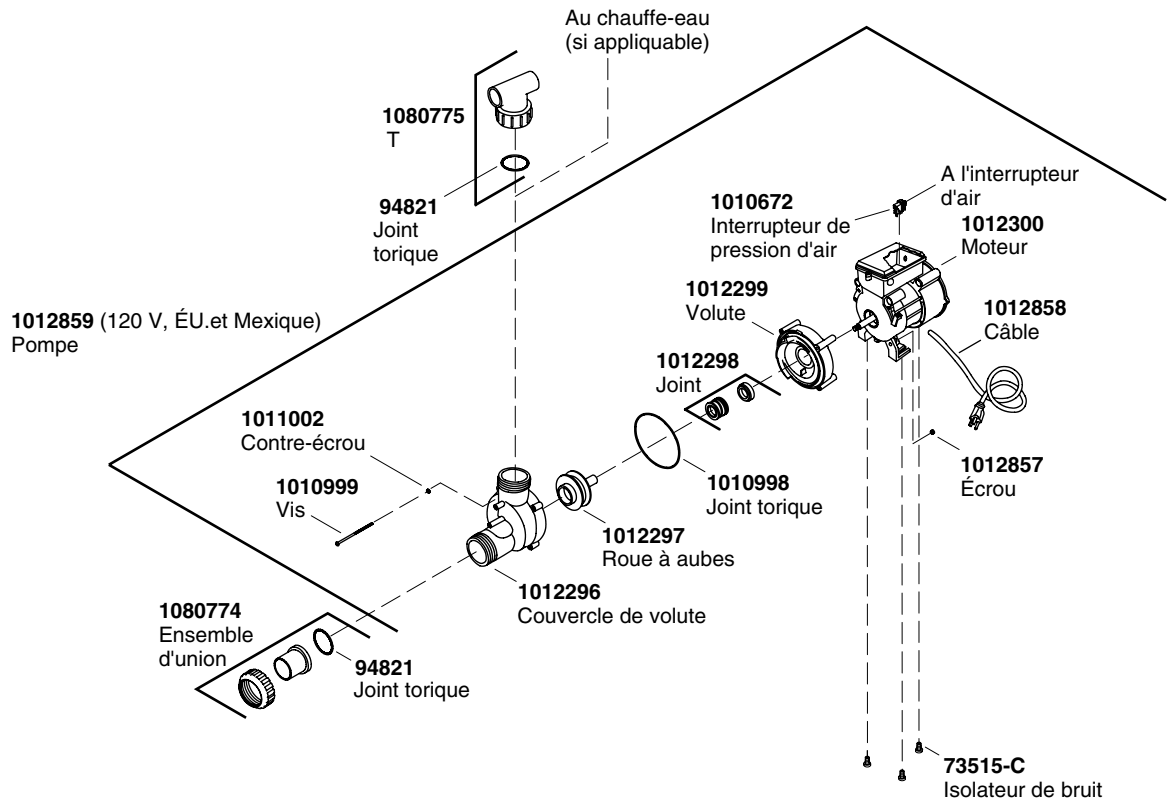
Ce guide de dépannage est seulement destiné à une aide générale. Seul un agent agréé de Kohler ou un électricien qualifié devrait corriger tous les problèmes électriques. Pour une réparation sous garantie, contacter le vendeur ou distributeur.

Symptômes	Causes probables	Action recommandée
1. La baignoire à hydromassage ne démarre/s'arrête pas.	A. Pas d'alimentation au moteur de la pompe. B. L'interrupteur d'air ne fonctionne pas. C. Le moteur de la pompe ne fonctionne pas.	A. Régler/réinitialiser le disjoncteur différentiel GFCI or ELCB, contrôler le câblage. Si le problème persiste, contacter l'installateur/le revendeur. B. Vérifier les connexions du tube d'air. Remplacer l'actionneur d'air. Contacter l'installateur/vendeur. C. Remplacer le moteur de pompe. Contacter l'installateur/vendeur.
2. Le moteur démarre, mais tous les jets ne fonctionnent pas.	A. Le jet est fermé. B. Le jet n'est pas installé correctement. C. Les jets sont bloqués.	A. Tourner la bague du jet vers la gauche pour ouvrir. B. Réinstaller le jet; s'assurer que le joint torique n'est pas endommagé. C. Retirer le blocage.
3. La baignoire à hydromassage s'arrête d'elle-même.	A. Les disjoncteurs GFCI ou RCD se déclenchent. B. L'aspiration est bloquée. C. Les jets sont bloqués. D. Moteur surchauffé et disjoncteur de protection activé.	A. Identifier la source du problème puis remédier. Si le problème persiste, contacter l'installateur/vendeur. B. Retirer l'obstruction. C. Retirer le blocage. D. Vérifier s'il y a un blocage aux prises d'air du moteur. Retirer l'obstruction et laisser refroidir le moteur. Vérifier si la conduite d'aspiration n'est pas bouchée. Retirer l'obstruction et laisser le moteur refroidir. Vérifier si les jets sont bouchés. Retirer l'obstruction et laisser refroidir le moteur.
4. Fonctionnement bruyant.	A. Les sangles de retenue de la pompe n'ont pas été coupées. (Modèles avec des blocs de support en bois uniquement). B. Joint torique sec ou délogé (crissement).	A. Couper les sangles de retenue avec des cisailles de ferblantier. B. Retirer le jet, remplacer et lubrifier le joint torique, et réinstaller le jet.
5. Le chauffe-eau ne fonctionne pas.	A. Pas de courant au chauffe-eau. B. La température de l'eau excède 104°F (40°C). C. Le chauffe-eau ne fonctionne pas.	A. Régler/réinitialiser le GFCI ou RCD. B. Laisser l'eau refroidir, le chauffe-eau redémarrera. C. Remplacer le chauffe-eau. Contacter l'installateur/vendeur.

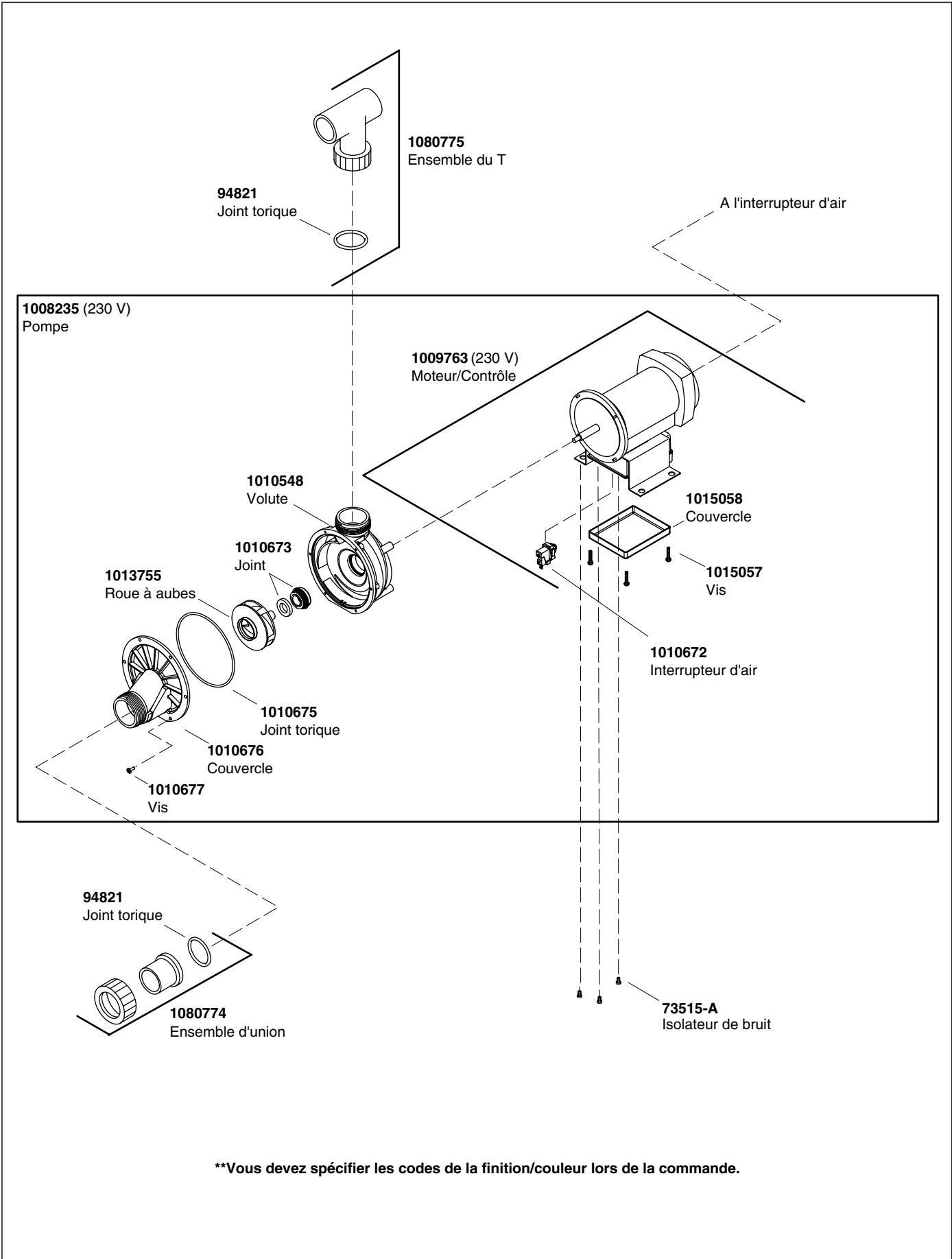


****Vous devez spécifier les codes de la finition et/ou de la couleur quand vous passez votre commande.**

Pièces de rechange



****Vous devez spécifier les codes de la finition/couleur lors de la commande.**

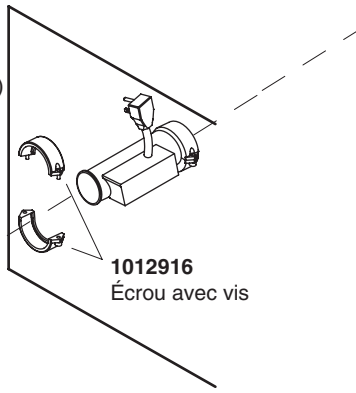


1009718 (120 V, É.-U./Mexique)
Chauffeau en ligne

94821
Joint torique



1012653
Adaptateur



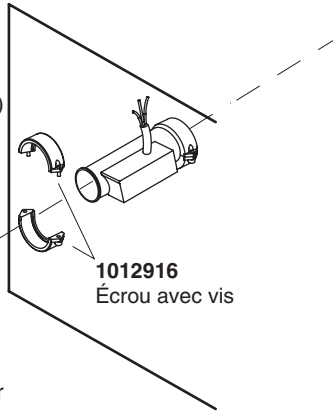
1012916
Écrou avec vis

1009719 (120 V, Canada)
Chauffeau en ligne

94821
Joint torique



1012653
Adaptateur



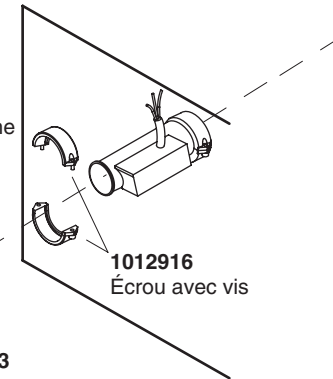
1012916
Écrou avec vis

1009720 (230 V)
Chauffeau en ligne

94821
Joint torique



1012653
Adaptateur



1012916
Écrou avec vis



1012653
Adaptateur

94821
Joint torique

****Vous devez spécifier les codes de la finition et/ou de la couleur quand vous passez votre commande.**

Guía del usuario

Bañera de hidromasaje

Información importante

INSTRUCCIONES RELATIVAS AL RIESGO DE INCENDIO, DESCARGA ELÉCTRICA O LESIONES PERSONALES

LEA Y SIGA TODAS LAS INSTRUCCIONES GUARDE ESTAS INSTRUCCIONES



ADVERTENCIA: Al usar aparatos eléctricos, siga siempre las precauciones básicas, incluyendo las siguientes:



PELIGRO: Riesgo de lesiones personales. Para reducir el riesgo de lesiones, no permita que los niños usen este producto sin la estricta supervisión en todo momento.



ADVERTENCIA: Riesgo de lesiones personales. Para evitar lesiones, tenga cuidado al entrar y salir de la bañera de hidromasaje.



ADVERTENCIA: Riesgo de descarga eléctrica. No coloque aparatos eléctricos (como secador de pelo, lámparas, teléfono, radio o televisión) a menos de 5' (1,5 m) de esta bañera de hidromasaje.



ADVERTENCIA: Riesgo de hipertermia. Las personas bajo tratamiento médico o que padezcan de alguna condición médica deben consultar con un médico antes de utilizar una bañera de hidromasaje equipada con un calentador.

Use esta bañera de hidromasaje únicamente con el fin para el que se ha fabricado, tal como se explica en este manual. No utilice accesorios que no estén recomendados por el fabricante.

No deje caer ni introduzca objetos en ninguna de las aberturas. Mantenga los objetos pequeños tales como los juguetes y accesorios de baño fuera de la bañera de hidromasaje cuando esté en funcionamiento.

No permita que esta unidad funcione sin la tapa protectora (tapadera) en la conexión de succión.

La bañera de hidromasaje debe conectarse solamente a un circuito protegido con un interruptor de circuito con pérdida a tierra (GFCI) o por un dispositivo de corriente residual (RCD). El instalador debe proveer el interruptor de protección GFCI o RCD, cuyo funcionamiento debe probarse de manera rutinaria. Para probar el interruptor de protección GFCI o RCD, oprima el botón de prueba (test). El interruptor de protección GFCI o RCD debe interrumpir la alimentación eléctrica. Oprima el botón (reset) de restablecer la alimentación eléctrica. Esto debe restablecer la alimentación eléctrica. Si el interruptor de protección GFCI o RCD no funciona de este modo, significa que está averiado. Si el interruptor de protección GFCI o RCD, interrumpe la alimentación eléctrica a la bañera sin haber oprimido el botón de prueba, significa que existe corriente a tierra y la posibilidad de una descarga eléctrica. No utilice esta bañera de hidromasaje. Desconecte la bañera de hidromasaje, y antes de usarla, haga que un representante de servicio autorizado solucione el problema.

NOTA: Si el cable eléctrico de la bomba está dañado, debe ser reemplazado por el fabricante, un agente de servicio autorizado por el fabricante o personas igualmente calificadas para así evitar un peligro. El cable eléctrico del calentador no se puede reemplazar. Si el cable eléctrico está dañado, el calentador se debe desechar.

Información importante (cont.)



ADVERTENCIA: El uso de alcohol, drogas o medicamentos puede aumentar enormemente el riesgo de sufrir hipertermia fatal. La inmersión prolongada en agua caliente puede producir hipertermia. La hipertermia ocurre cuando la temperatura interna del cuerpo alcanza un nivel superior a la temperatura corporal normal de 98,6°F (37°C). Los síntomas de la hipertermia incluyen el aumento de la temperatura corporal interna, mareos, letargo, somnolencia y desfallecimiento. Los efectos de la hipertermia incluyen: (a) incapacidad para percibir calor, (b) incapacidad para reconocer la necesidad de salir de la bañera, (c) inconsciencia de un peligro inminente, (d) daño al feto en mujeres embarazadas, (e) inhabilidad física para salir de la bañera y (f) pérdida del conocimiento con peligro de ahogarse.

NOTA: Limpie el sistema de hidromasaje dos o más veces al mes, dependiendo del uso, tal como se describe en la sección "Limpieza del sistema de hidromasaje" de este manual.

La temperatura del agua en la bañera no debe exceder los 104°F (40°C).

El uso constante de productos de higiene personal que contengan aceites puede dañar los componentes plásticos de la bañera de hidromasaje. No utilice champú a base de productos vegetales ni aceites de baño.

La acción del hidromasaje puede hacer que una pequeña cantidad de líquidos para hacer burbujas, champú, jabón o aceite de baño espume en exceso. Por esta razón, no utilice estos productos durante el funcionamiento de la bañera de hidromasaje.

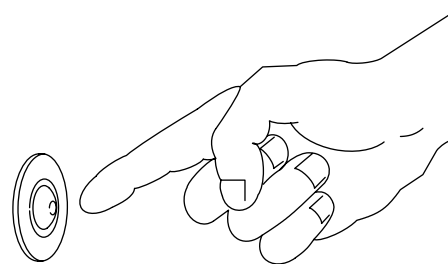
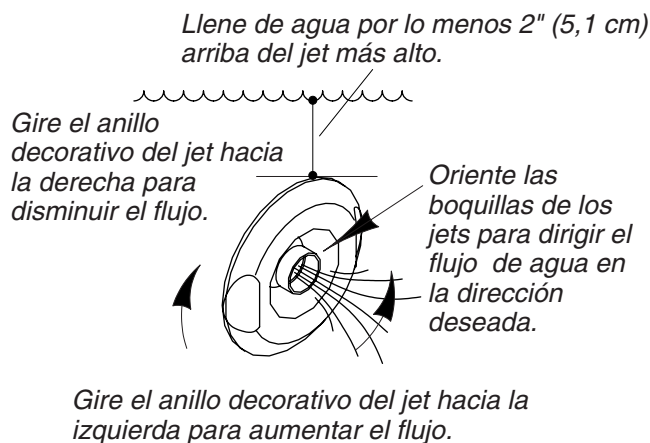
Su nueva bañera de hidromasaje de Kohler está incluida en la lista de Underwriter's Laboratories, aumentando así su seguridad y la de su familia. Asimismo, esta bañera de hidromasaje cumple con las estrictas normas del ANSI e IAPMO establecidas dentro de la industria de plomería.

Gracias por elegir los productos Kohler

Gracias por elegir los productos Kohler. Su producto de Kohler Company refleja la verdadera pasión por el diseño, la mano de obra, la artesanía y la innovación que forman parte de Kohler Company. Estamos seguros que su confiabilidad y belleza excederán sus más altas expectativas, dándole satisfacción por años.

Toda la información que aparece en la guía está basada en la información más reciente disponible al momento de publicación. En Kohler Company, nos esforzamos por alcanzar nuestra misión de mejorar el nivel del buen vivir de quienes disfrutan de nuestros productos y servicios. Nos reservamos el derecho de efectuar cambios en las características, embalaje o disponibilidad del producto en cualquier momento, sin previo aviso.

Dedique unos minutos para leer esta guía. Preste especial atención a las instrucciones de cuidado y limpieza.



Presione el accionador de aire para encender o apagar la bañera de hidromasaje.

Su bañera de hidromasaje Kohler

Componentes

Su nueva bañera de hidromasaje está diseñada para estimular, vigorizar y dar energía a su cuerpo con una terapia de hidromasaje reconfortante. La bañera de hidromasaje consta de los siguientes componentes:

- **Bañera** - actúa como un depósito de agua y es el lugar de acción del hidromasaje.
- **Control del accionador de aire** - De fácil alcance, el control del accionador de aire enciende y apaga la bañera de hidromasaje mediante la activación de un confiable sensor.
- **Motor bomba** - Proporciona potencia silenciosa para hacer circular el agua y crear la acción calmante del hidromasaje.
- **Jets ajustables** - Colocados de manera que optimizan el efecto del hidromasaje, los jets le permiten ajustar el flujo de aire y agua, así como controlar la dirección del flujo como usted lo desee.
- **Calentador (sólo modelos -H)** - diseñado para ayudar a mantener automáticamente la temperatura del agua hasta en 104°F (40°C) y así aumentar el placer de la experiencia del hidromasaje. El calentador se enciende automáticamente cuando la bañera de hidromasaje está funcionando y se apaga cuando el motor bomba se apaga.
- **Kit de temporizador (disponible como accesorio opcional)** - Detiene automáticamente la bomba después de 20 minutos de funcionamiento continuo.
- **Faldón integral o desmontable (disponible en algunos modelos)** - Diseñado para complementar el estilo y contornos de su bañera de hidromasaje. El faldón de la bañera de hidromasaje también facilita el acceso a la bomba y los controles por la parte frontal en caso de mantenimiento.

Funcionamiento

- Coloque las boquillas de los jets de manera que miren hacia abajo en la bañera. Gire los anillos decorativos de los jets totalmente hacia la izquierda.

NOTA: La temperatura del agua en la bañera de hidromasaje nunca debe exceder de 104°F (40°C).

- Cierre el desagüe, luego llene la bañera de hidromasaje a un nivel por lo menos 2" (5,1 cm) por encima del jet más alto.
- Pruebe la temperatura del agua con la mano para su confort y seguridad, luego entre con cuidado al fondo.
- Oprima el accionador de aire para encender la bañera de hidromasaje.
- Ajuste los jets para obtener una mezcla óptima de aire/agua. Gire los anillos decorativos del jet hacia la derecha para reducir el flujo o hacia la izquierda para aumentarlo. Oriente las boquillas de los jets en la dirección deseada para aprovechar al máximo la experiencia del hidromasaje.
- Vuelva a oprimir el accionador de aire por segunda vez para apagar la bañera de hidromasaje.
- Salga con cuidado del fondo, luego abra el desagüe para vaciar la bañera de hidromasaje.

Su bañera de hidromasaje Kohler (cont.)

NOTA: Si la bañera de hidromasaje no funciona correctamente, consulte la sección "Guía para resolver problemas".

Cuidado y limpieza

Para obtener los mejores resultados, tenga presente lo siguiente al limpiar su producto KOHLER:

- Siempre pruebe la solución de limpieza en un área oculta antes de aplicarla a toda la superficie.
- Limpie con un trapo las superficies y enjuague completa e inmediatamente con agua después de aplicar el limpiador. Enjuague y seque las superficies cercanas que se hayan rociado.
- No deje por tiempo prolongado los limpiadores en las superficies.
- Utilice una esponja o trapo suave y húmedo. Nunca utilice materiales abrasivos como cepillos o estropajos de tallar para limpiar las superficies.

Para obtener información detallada de limpieza y los limpiadores a considerar, visite www.kohler.com/clean. Para solicitar información sobre el cuidado y la limpieza, llame al 1-800-456-4537.

Limpieza del sistema

NOTA: Limpie el sistema de hidromasaje dos o más veces al mes, dependiendo del uso.

- Gire los anillos decorativos de los jets totalmente a la derecha para reducir la inducción de aire.
- Llene la bañera de hidromasaje con agua caliente al menos 2" (5,1 cm) por encima del jet más alto.
- Añada al agua 2 cucharaditas (10 ml) de detergente para lavaplatos automática que espume poco y 20 onzas (590 ml) de blanqueador para uso doméstico (5% - 6% hipoclorito sódico).
- Haga funcionar la bañera de hidromasaje de 5 a 10 minutos. Luego, apague y vacíe la bañera.
- Si lo desea, enjuague las superficies de la bañera con agua.
- Enjuague las superficies de los jets, la grifería, las agarraderas y el desagüe y seque con un paño suave.

Garantía limitada de un año

GARANTÍA LIMITADA DE UN AÑO

Se garantiza que los productos de plomería KOHLER están libres de defectos de material y mano de obra por un año a partir de la fecha de instalación.

Kohler Co., a su criterio, reparará, reemplazará o realizará los ajustes pertinentes en los casos en que la inspección realizada por Kohler Co. determine que dichos defectos ocurrieron durante el uso normal en el transcurso de un (1) año a partir de la fecha de la instalación. Kohler Co. no se hace responsable de los gastos de desinstalación o instalación. **El uso de limpiadores de inodoro que se colocan dentro del tanque anulará la garantía.**

Para obtener el servicio de garantía, comuníquese con Kohler Co. a través de su distribuidor, contratista de plomería o distribuidor a través de Internet, o escriba directamente a: Kohler Co., Attn.: Customer Care Center, 444 Highland Drive, Kohler, WI 53044, U.S.A. o llame al 1-800-4KOHLER (1-800-456-4537) desde los Estados Unidos y Canadá, o al 001-877-680-1310 desde México.

TODA GARANTÍA IMPLÍCITA EN RELACIÓN A PRODUCTOS DE USO COMERCIAL, INCLUYENDO LA COMERCIALIZACIÓN E IDONEIDAD DEL PRODUCTO PARA UN USO DETERMINADO, SE LIMITA EXPRESAMENTE A LA DURACIÓN DE LA PRESENTE GARANTÍA. KOHLER CO. Y/O EL VENDEDOR NO SE HACEN RESPONSABLES POR CONCEPTO DE DAÑOS PARTICULARES, INCIDENTALES O INDIRECTOS. Algunos estados/provincias no permiten limitaciones en cuanto a la duración de una garantía implícita o a la exclusión o limitación de daños particulares, incidentales o indirectos, por lo que estas limitaciones y exclusiones pueden no aplicar a su caso. Esta garantía le otorga ciertos derechos legales específicos. Además, usted puede tener otros derechos que varían de estado a estado y provincia a provincia.

El presente documento constituye la garantía exclusiva por escrito de Kohler Co.

Garantía de un año

KOHLER CO.

Al adquirir el producto, se recomienda verificar que todos los accesorios y componentes estén completos en la caja.

Kohler Co. garantiza que el material y la mano de obra de este producto están libres de defectos, por un (1) año, a partir de la fecha de compra que aparece en la factura o recibo.

1. Kohler Co. prestará servicio únicamente a los productos comercializados a través de sus distribuidores autorizados.

2. A fin de obtener el servicio de garantía, favor de presentar la factura de compra y la garantía correspondiente.

3. Kohler Co., a través de sus distribuidores autorizados, se compromete a reparar el producto defectuoso o a reemplazarlo por uno nuevo o equivalente (en caso de que el producto esté descontinuado) cuando no sea posible la reparación, sin ningún cargo al consumidor.

4. El tiempo de reparación no excederá de seis (6) semanas, a partir de la fecha de recepción del producto.

5. Se recomienda al consumidor que conserve el recibo o factura de compra como protección adicional, pues el mismo puede sustituir a la garantía, en caso de que exista discrepancia en cuanto a la validez de la misma.

EXCEPCIONES Y RESTRICCIONES

La garantía no tendrá validez en los siguientes casos:

1. Cuando el producto no se haya utilizado conforme a las instrucciones de uso y funcionamiento incluidas en el manual del usuario o en las instrucciones de instalación y cuando no se hayan observado las recomendaciones y advertencias allí contenidas.

2. Cuando el producto se haya modificado o desmantelado parcial o totalmente; o manipulado de manera negligente y, como consecuencia, haya sufrido daños atribuibles al consumidor, persona o herrajes no autorizados por Kohler Co.

3. Esta garantía no cubre los daños que resulten de desastres naturales, tales como incendios o casos de fuerza mayor, incluyendo inundaciones, terremotos, tormentas eléctricas, etc. Para obtener una lista de distribuidores cerca de usted y así hacer valer sus derechos bajo esta garantía, llame al 001-877-680-1310.

KOHLER CO., KOHLER, WI 53044 U.S.A.

IMPORTADOR:

INTERNACIONAL DE CERÁMICA, S.A.B. DE C.V.

AV. CARLOS PACHECO NO. 7200

CHIHUAHUA, CHIH., MÉXICO C.P. 31060

TEL: 52 (14) 29-11-11

Procedimiento para resolver problemas

Esta guía para resolver problemas está diseñada únicamente como ayuda general. Un representante de servicio autorizado de Kohler o un electricista calificado debe resolver todos los problemas eléctricos. Para obtener servicio cubierto por la garantía, póngase en contacto con el vendedor o el distribuidor mayorista.

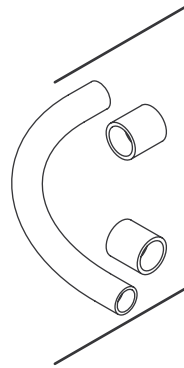
Procedimiento para resolver problemas (cont.)

Síntomas	Causas probables	Acción recomendada
1. La bañera de hidromasaje no se enciende/apaga.	<p>A. El motor bomba no tiene alimentación eléctrica.</p> <p>B. El accionador de aire no funciona.</p> <p>C. El motor bomba no funciona.</p>	<p>A. Oprima el botón (reset) de restablecer la alimentación eléctrica del interruptor de circuito con pérdida a tierra GFCI o RCD; revise el cableado. Si el problema persiste consulte al instalador/distribuidor.</p> <p>B. Revise las conexiones de las tuberías de aire. Reemplace el accionador de aire. Consulte al distribuidor/instalador.</p> <p>C. Reemplace el motor bomba. Consulte al distribuidor/instalador.</p>
2. El motor se enciende, pero no todos los jets funcionan.	<p>A. El jet está cerrado.</p> <p>B. El jet no está instalado correctamente.</p> <p>C. Los jets están obstruidos.</p>	<p>A. Gire la guarnición del jet hacia la izquierda para abrirlo.</p> <p>B. Vuelva a instalar el jet; revise que el arosello (O-ring) no esté dañado.</p> <p>C. Elimine la obstrucción.</p>
3. La bañera de hidromasaje se apaga sola.	<p>A. El interruptor GFCI o RCD se dispara.</p> <p>B. La succión está obstruida.</p> <p>C. Los jets están obstruidos.</p> <p>D. El motor se ha sobrecalentado, activando el dispositivo de protección.</p>	<p>A. Identifique la causa del problema y corríjalo. Si el problema persiste consulte al instalador/distribuidor.</p> <p>B. Elimine la obstrucción.</p> <p>C. Elimine la obstrucción.</p> <p>D. Verifique que no haya obstrucciones en las ventilaciones del motor. Elimine la obstrucción y deje enfriar el motor. Verifique que no haya obstrucciones en la succión. Elimine la obstrucción y deje enfriar el motor. Verifique que no haya obstrucciones en los jets. Elimine la obstrucción y deje enfriar el motor.</p>
4. Funcionamiento ruidoso.	<p>A. Las cintas metálicas de la bomba no se han cortado. (modelos con bloques de soporte de madera únicamente)</p> <p>B. El arosello (O-ring) del jet está mal colocado o seco (ruidoso).</p>	<p>A. Corte las cintas metálicas con unas tijeras para chapa.</p> <p>B. Extraiga el jet, reemplace y lubrique el arosello (O-ring); vuelva a instalar el jet.</p>
5. El calentador no funciona.	<p>A. El calentador no tiene alimentación eléctrica.</p> <p>B. La temperatura del agua sobrepasa los 104°F (40°C).</p> <p>C. El calentador no funciona.</p>	<p>A. Oprima el botón (reset) de restablecer el interruptor GFCI o RCD.</p> <p>B. Deje enfriar el agua para que el calentador se vuelva a encender.</p> <p>C. Reemplace el calentador. Consulte al distribuidor/instalador.</p>

1041995**
Interruptor de aire

A la bomba

1042083
Tuerca para tubo



93836 (1/2")
93838 (1")
93839 (1-1/4")
94853 (1-1/2")
Tubo (con acopladores)

91967
Válvula de retención

1011001
Herramienta para extraer la brida

67665
Tapón

1008241
Empaque

1013250
Tuerca

1013249
Boquilla

1008238
Alojamiento del jet

1015255**
Kit de guarnición de jets

1015161
Herramienta del kit de guarnición de jets

1008239
Brida

73518
Tapón

93685
Alojamiento

96895**
Tapa de succión

96708
Brida

65886
Empaque

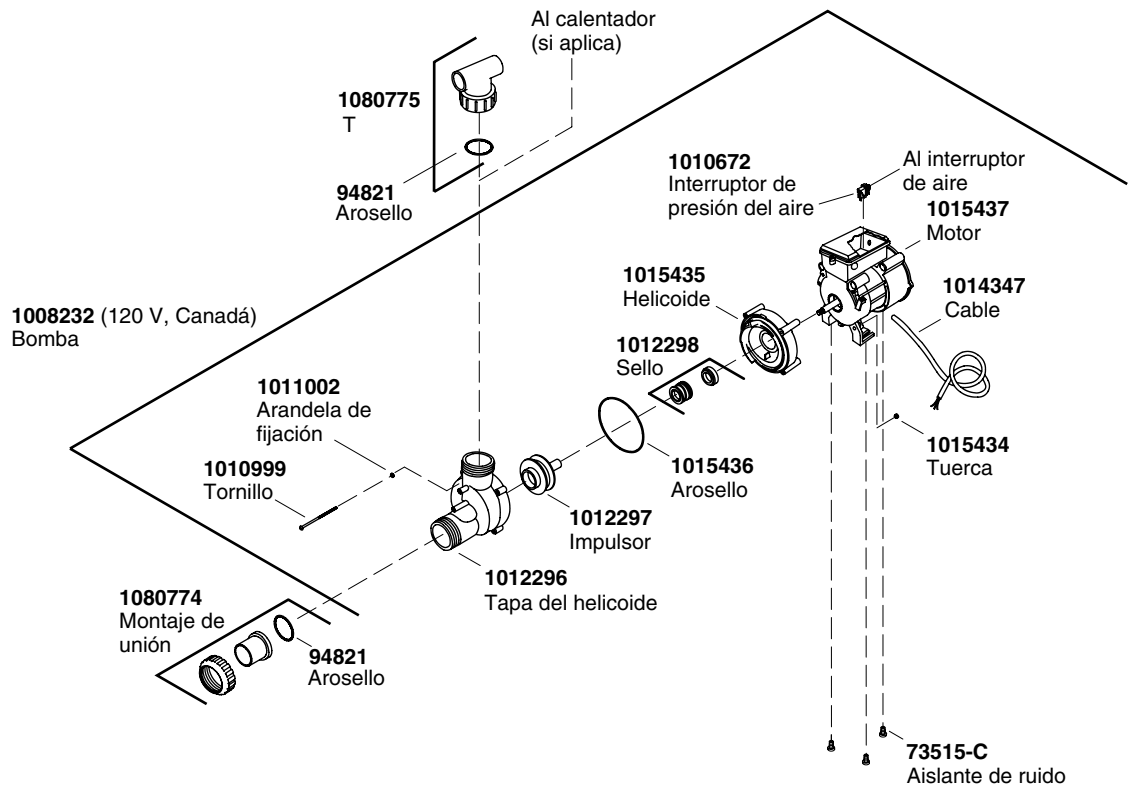
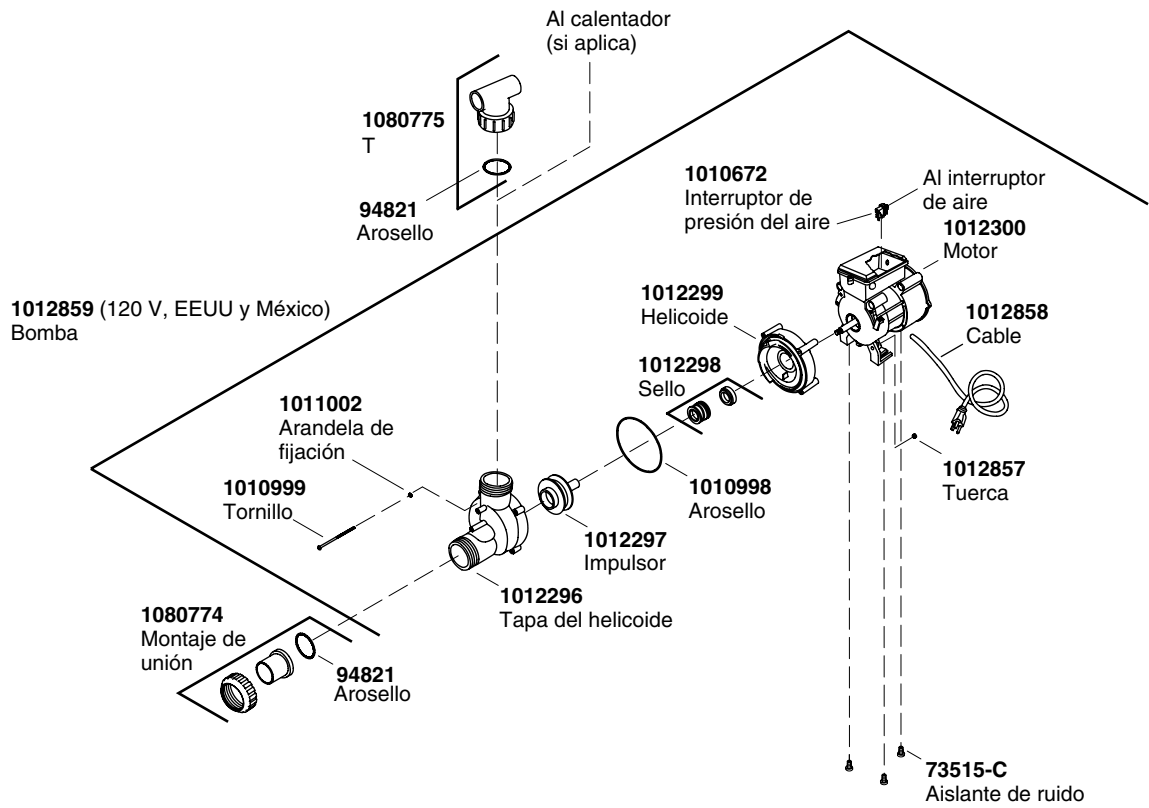
65226**
Tapón de la tapa de succión

65054**
Tornillo

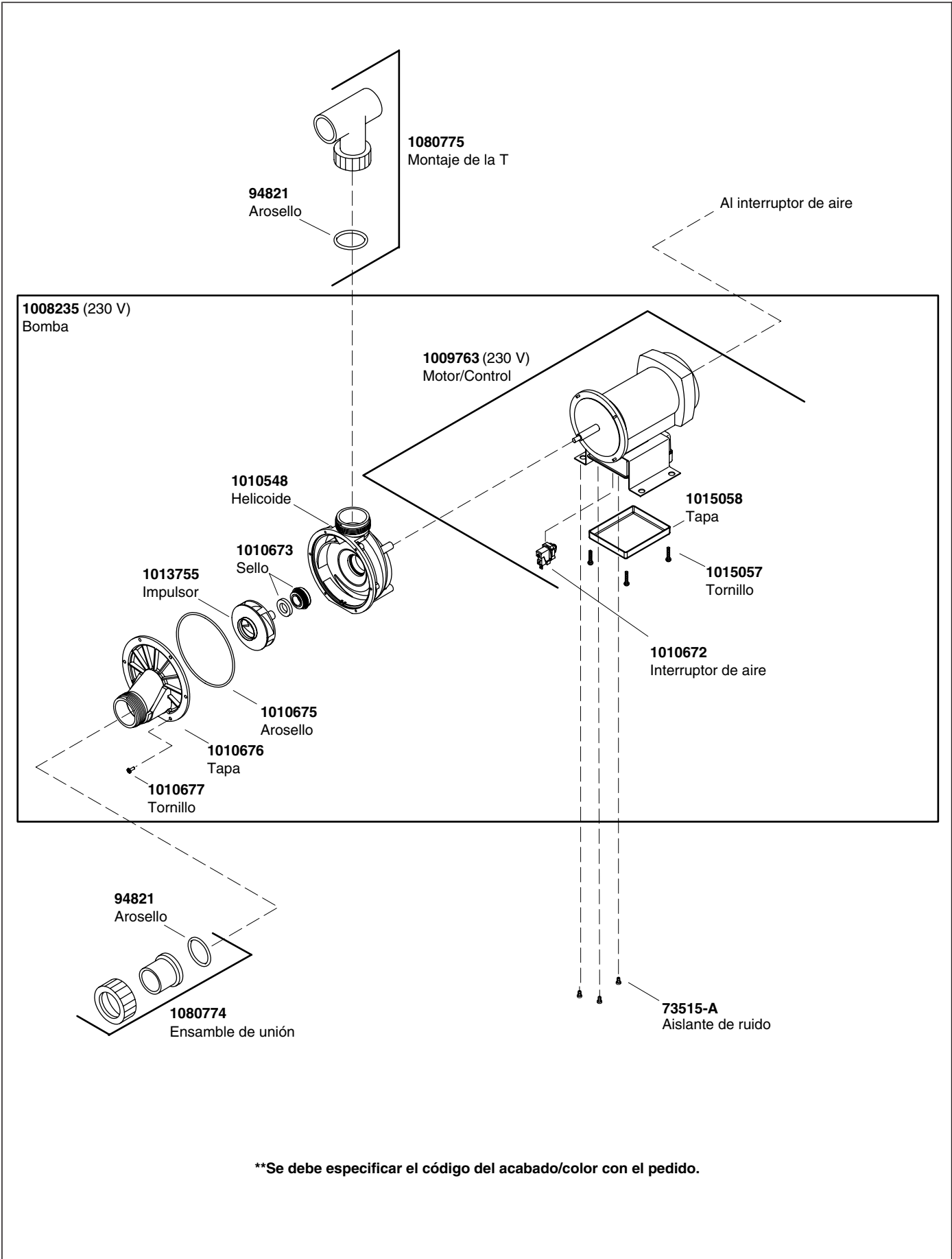
1003065
Herramienta para extraer la brida de succión

****Se debe especificar el código del acabado/color con el pedido.**

Piezas de repuesto



****Se debe especificar el código del acabado/color con el pedido.**

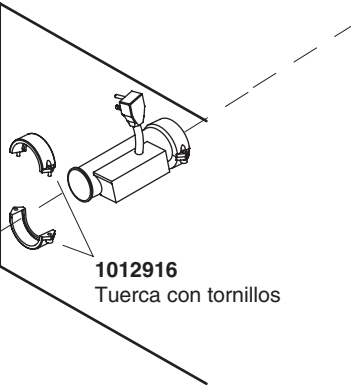


1009718 (120 V, EE.UU./México)
Calentador en línea

94821
Arosello



1012653
Adaptador



1012916
Tuerca con tornillos

1009719 (120 V, Canadá)
Calentador en línea

94821
Arosello



1012653
Adaptador



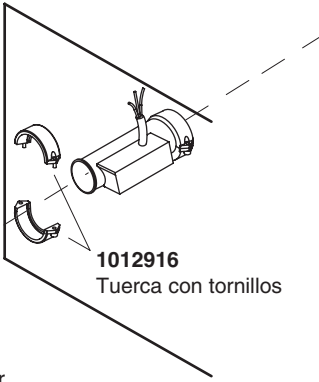
1012916
Tuerca con tornillos

1009720 (230 V)
Calentador en línea

94821
Arosello



1012653
Adaptador



1012916
Tuerca con tornillos



1012653
Adaptador

94821
Arosello



****Se debe especificar el código del acabado/color con el pedido.**

USA/Canada: 1-800-4KOHLER

México: 001-877-680-1310

kohler.com

THE BOLD LOOK
OF **KOHLER**®

©2009 Kohler Co.

1010997-5-H