



Manufactured from Veritek®
(see page 2 for detailed information)

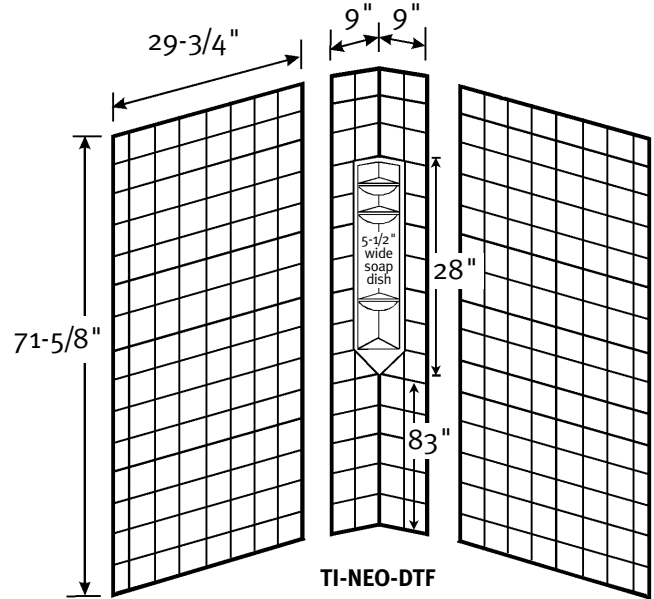
WARRANTY
Limited Lifetime – Residential
Limited 5-year – Commercial

FEATURES

- Elegant look of ceramic tile with no grout to clean
- Compression molded Veritek is a composite material with no surface coating to chip or crack
- For use with Swanstone, Veritek and other standard shower floors
- The TI-NEO-DTF is a glue-up 3-piece shower wall panel system

TI-NEO-DTF

Designed to fit wall areas
36" x 36" to 38" x 38" x 71-5/8" high
(914 mm x 914 mm to 965 mm x 965 mm x 1819 mm)



SPECIFICATIONS

TI-NEO-DTF SwanTile Shower Wall Kit

| Model | Part | Wall Area Designed To Fit | Ship Wt. Lb. | Ship UPS | Carton Dims. In. | Cu. Ft. |
|------------|----------|--------------------------------------------------------------------------------------|--------------|----------|------------------|---------|
| TI-NEO-DTF | NE0000TI | 36" x 36" to 38" x 38" x 71-5/8" H (914 mm x 914 mm to 965 mm x 965 mm x 1819 mm) | 57 | - | 73 x 32 x 8 | 10.82 |

Kit Includes: One back panel with molded-in shelves, two side panels, two apron strips, installation materials and complete installation instructions.
Packaging: Each kit is packed in a flat, rectangular carton.

COLORS

(See inside back cover for color sample.)

- White (010)
- Bone (037)
- Bisque (018)

STANDARDS AND RATINGS

Class B fire rating
American Society for Testing and Materials
National Electrical Manufacturers Association

SUPPORT DOCUMENTS

Installation instructions available on line at www.swanstone.com

MADE IN USA.

MAINTENANCE AND CLEANING INFORMATION

Wash regularly with non-abrasive, liquid cleaners, a sponge, soft cloth or Mr. Clean Magic Eraser. For hard water stains or mineral build-up, scale removers such as Lime Away, Rust-out or Whink can be used. To protect the finish, fiberglass wax or automotive paste wax can be applied. **Do not** use abrasive cleaners or pads. **Do not** use "leave on" cleaning products such as the Automatic Shower Cleaner. Prolonged contact with harsh chemicals could have an adverse reactive over time and discolor your surfaces. **Do not** use cleaning agents that caution use on acrylic, polyester or plastics.