

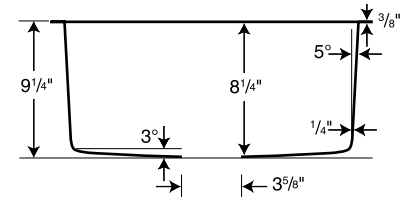
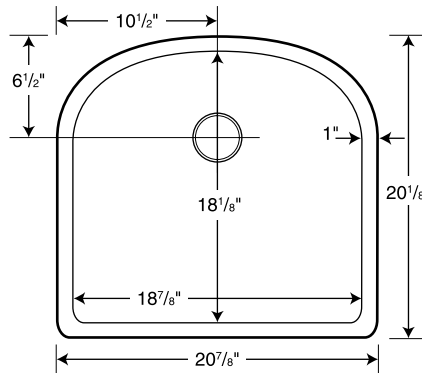
Manufactured from Swanstone solid surface
(see page 2 for detailed information)

WARRANTY
Limited Lifetime – Residential
Limited 10-year – Commercial

Recommended for high use traffic areas and commercial surfaces

FEATURES

- Reinforced solid surface means color and texture run all the way through and cannot wear away
- Mounts underneath your choice of countertop for high-design appeal
- Heat, stain, and scratch resistant for lasting beauty
- Available in a wide variety of solid and granite colors
- Matching or contrasting countertops available. Contact a Swanstone representative for more information.



Capacity: 9 gallons

SPECIFICATIONS

US-2021 Large Bowl

Model	Part	Dimensions	Ship Wt. Lb.	Ship UPS	Carton Dims. In.	Cu. Ft.
US-2021	US02021SB	20-7/8" W x 20-1/8" D (530 mm x 511 mm)	22	UPS	25 x 24 x 11	3.82

COLORS (See pg. 139 for color sample.)

- White (010)
- Bone (037)
- Bisque (018)
- Almond Galaxy (046)
- Arctic Granite (035)
- Barley (091)
- Bermuda Sand (040)
- Gray Granite (042)
- Green Pasture (095)
- Sierra (094)
- Tahiti Blue (056)
- Tahiti Desert (050)
- Tahiti Evergreen (057)
- Tahiti Gray (053)
- Tahiti Ivory (059)
- Tahiti Matrix (058)
- Tahiti Rose (052)
- Tahiti Sand (051)
- Tahiti Terra (055)
- Tahiti White (011)
- Cornflower (063)
- Ironweed (061)
- Night Sky (012)
- Purple Sage (064)
- Wild Indigo (022)
- Winter Wheat (060)
- Indian Grass (071)
- Black Galaxy (015)
- Pebble (072)
- Seafoam (074)

STANDARDS AND RATINGS

Class 1A fire rating
 American National Standard Institute—ANSI Z124.6
 International Association of Plumbing and Mechanical Officials (IAPMO)—listed
 cUPC listed—Certified to CSA Standard B45 by IAPMO
 National Sanitation Foundation-NSF Splash Zone, -NSF Food Zone
 American Society for Testing and Materials
 National Electrical Manufacturers Association

For a complete list of tests and results see the Technical Data Sheet – page 129.

SUPPORT DOCUMENTS

Installation instructions available on line at www.swanstone.com

MAINTENANCE AND CLEANING INFORMATION

Clean your Swanstone kitchen sink with powdered abrasive cleaners. Use of a Scotch-Brite pad is recommended to remove stubborn stains. Occasional use of a mild bleach and water solution ensures that the original luster is maintained.