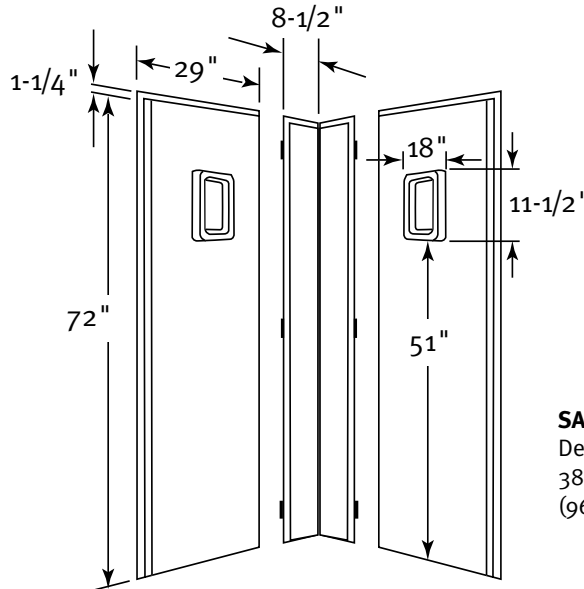


WARRANTY
 Limited Lifetime – Residential
 Limited 5-year – Commercial

Manufactured from Swanstone Veritek®
 (see page 2 for detailed information)

FEATURES

- Nails directly to studs for fast installation
- Sturdy interlocking system for one-piece appearance
- Panels easily fit through existing doorways and can be installed by one person
- Made of Veritek composite material with no surface coating to chip or crack
- The SA-38 NEO is a 3-piece compression molded unit with a natural gloss surface



SA-38 NEO
 Designed to fit wall areas
 38" deep x 38" wide* x 72" high
 (965 mm x 965 mm x 1829 mm)

SPECIFICATIONS

SA-38 NEO Veritek® Angle Shower Alcove Wall

Model	Part	Wall Area Designed To Fit	Ship Wt. Lb.	Ship UPS	Carton Dims. In.	Cu. Ft.
SA-38 NEO	NE00000SA	38" D x 38" W* x 72" H (965 mm x 965 mm x 1829 mm)	84	-	76 x 36 x 13	20.58

Fits NEO shower floor size 38" D x 38" W (965 mm x 965 mm)

COLORS (See pg. 139 for color sample.)

- White (010)
- Bone (037)
- Bisque (018)
- Bermuda Sand (040)
- Gray Granite (042)
- Tahiti Desert (050)

*1-1/2" additional area required on outer edges of wall panels to accommodate nail-up flange.

Kit Includes: One right side panel, one left side panel, one corner panel, wall mounting clips, and complete installation instructions.

Packaging: Each kit is packed in a flat, rectangular carton.

STANDARDS AND RATINGS

Class B fire rating
 American Society for Testing and Materials
 National Electrical Manufacturers Association

SUPPORT DOCUMENTS

Installation instructions available on line at www.swanstone.com

MAINTENANCE AND CLEANING INFORMATION

Wash regularly with warm water; use soft cloth with mild liquid detergent. Never use abrasive scouring powders, cleaners or pads. They will dull the finish. Protect finish with any fiberglass wax or automotive paste wax.