



ITEM #0006554
5-BURNER GAS GRILL
 MODEL #3218LTN

Español p. 53

Master Forge & M Design® is a registered trademark of LF, LLC. All rights reserved.

! WARNING
 Improper installation, adjustment, alteration, service or maintenance can cause injury or property damage. Read this instruction manual thoroughly before installing or servicing this equipment.

! WARNING

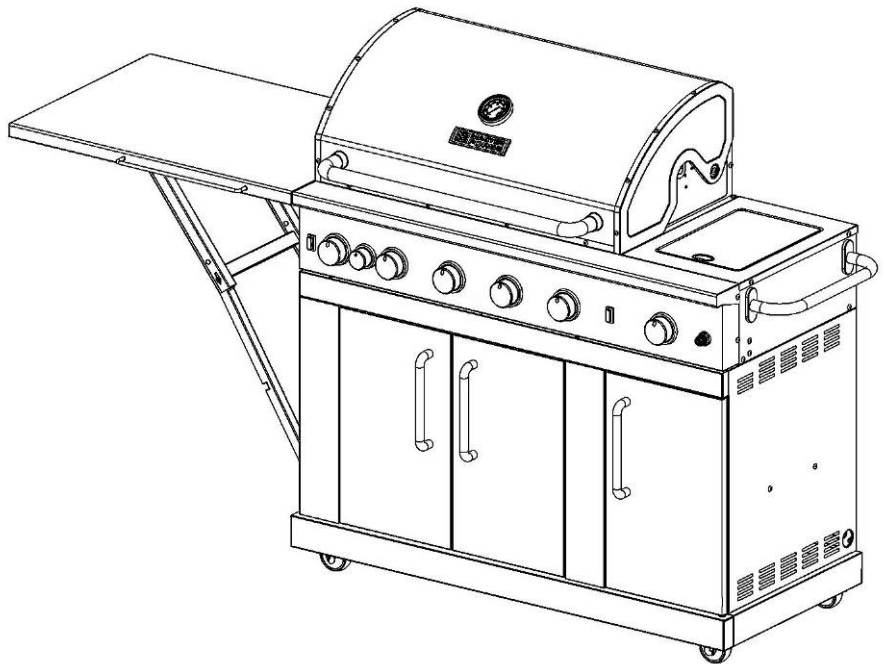
1. Do not store or use gasoline or other flammable vapors and liquids in the vicinity of this or any other appliance.
2. An LP tank not connected for use should not be stored in the vicinity of this or any other appliance.

! DANGER

If you smell gas:

1. Shut off gas to the appliance.
2. Extinguish any open flames.
3. Open the lid.
4. If the odor continues, keep away from the appliance and immediately call your gas supplier or fire department.

! WARNING
 For Outdoor Use Only



ATTACH YOUR RECEIPT HERE

Serial Number _____ **Purchase Date** _____



Questions, problems, missing parts? Before returning to your retailer, call our customer service department at 1-800-963-0211, 8:00 a.m. to 6:00 p.m., EST, Monday-Thursday, 8:00 a.m. to 5:00 p.m., EST, Friday.

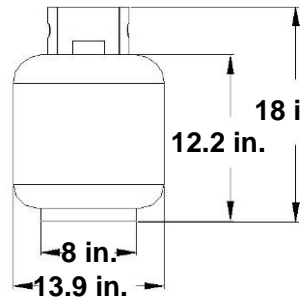
TABLE OF CONTENTS

Safety Information	3
Safety Tips.....	5
Package Contents	6
Hardware Contents	8
Preparation	8
Assembly Instructions	9
Cooking with Gas	24
Operating Instructions	31
Care and Maintenance	38
Troubleshooting	46
Warranty	49
Replacement Parts List	50



SAFETY INFORMATION

Please read and understand this entire manual before attempting to assemble, operate or install the product. If you have any questions regarding the product, please call customer service at 1-800-963-0211, 8:00 am to 6:00 pm, EST, Monday- Thursday, 8:00 a.m. to 5:00 p.m., EST, Friday.

- 1 The installation of this appliance must conform with local codes or, in the absence of local codes, with either *the National Fuel Gas Code, ANSI Z223.1/NFPA 54, or Natural Gas and Propane Installation Code, CSA/CGA-B149.1.*
- 2 This grill is intended for use outdoors and should not be used in a building, garage or any other enclosed or covered area.
- 3 This outdoor grill is not intended for installation in or on recreation vehicles and/or boats.
- 4 A minimum clearance of 36 inches from combustible constructions to the sides of the grill and 36 inches from the back of the grill to combustible constructions must be maintained. This outdoor cooking gas appliance must not be placed under overhead combustible construction.
- 5 The use of an electrical source requires that when installed, the grill must be electrically grounded in accordance with local codes or, in the absence of local codes, with *ANSI/NFPA 70, or the Canadian Electrical Code, CSA C22.1.* Keep electrical supply cords and the fuel supply hose away from heated surfaces.
- 6 Inspect the hoses before each use for excessive abrasion or wear, or cuts that may affect safe operation of the grill. If there is evidence of excessive abrasion or wear, or the hose is cut, it must be replaced prior to the grill being put into operation. The replacement hose assembly must be those specified by the manufacturer.
- 7 Keep your grill in an area clear and free from combustible materials, gasoline and other flammable vapors and liquids.
- 8 DO NOT obstruct the flow of combustion and ventilation air to this appliance.
- 9 Keep the ventilation openings of the tank enclosure free and clear from debris.
- 10 Check all gas connections for leaks with a soapy water solution and brush. Never use an open flame to check for leaks.
- 11 Never use charcoal in the grill.
- 12 Never use the grill in windy areas.
- 13 Only a 20 lb. LP-gas cylinder is allowed. The cylinder must be constructed and marked in accordance with the Specifications for LP Gas Cylinders of the U.S. Department of Transportation (D.O.T.) or the National Standard of Canada, CAN/CSA-B339, Cylinders, Spheres and Tubes for Transportation of Dangerous Goods; and Commission. A 20 lb LP-Gas cylinder dimensions are:
- 14 Never use the grill without the drip tray installed and pushed completely into the back of the grill. Without the drip tray, hot grease and debris could leak downward and produce a fire hazard.

⚠ SAFETY INFORMATION

- 15 The pressure regulator for LP-gas grill is set for 11-in. water column (WC). Natural gas grill provides a hose assembly which includes a quick-disconnect device. But no pressure regulator. The LP pressure regulator or the Natural gas hose assembly must be used. Replacement pressure regulators and hose assemblies must be those specified in the part list.
- 16 The cylinder used must include a collar to protect the cylinder valve.
- 17 Do not store a spare LP-gas cylinder under or near this appliance.
- 18 Never fill the cylinder beyond 80 percent full.
- 19 If the information in “17” and “18” is not followed exactly, a fire causing death or serious injury may occur.
- 20 The natural gas grill and its individual shutoff valve must be disconnected from the gas supply piping system during any pressure testing of that system at test pressures in excess of 0.5 psi (3.5 kPa).
- 21 The outdoor cooking gas appliance must be isolated from the gas supply piping system by closing its individual manual shutoff valve during any pressure testing of the gas supply system at test pressures equal to or less than 1/2 psi (3.5kPa).
- 22 **CALIFORNIA PROPOSITION 65 WARNING:** The burning of gas cooking fuel generates some byproducts which are on the list of substances known by the State of California to cause cancer, reproductive harm, or other birth defects. To reduce exposure to these substances, always operate this unit according to the use and care manual, ensuring you provide good ventilation when cooking with gas.

IMPORTANT: We urge you to read this manual carefully and follow the recommendations enclosed. This will ensure you receive the most enjoyable and trouble-free operation of your new gas grill. We also advise you retain this manual for future reference.

WARNING: Your grill has been designed to operate using only the gas specified by the manufacturer on the rating plate. Do not attempt to operate your grill on other gases. Failure to follow this warning could lead to a fire hazard and bodily harm and will void your warranty.

WARNING: Make certain your LP (propane) tank is filled by a reputable propane dealer. An incorrectly filled or an overfilled LP tank can be dangerous. The overfilled condition combined with the warming of the LP tank (a hot summer day, tank left in the sun, etc.) can cause LP gas to be released by the pressure relief valve on the tank since the temperature increase causes the propane to expand. LP gas released from the tank is flammable and can be explosive. Refer to your Owner’s Manual for more information concerning filling your LP tank.

This unit contains one or more patent pending:

61/163,753

61/215,319

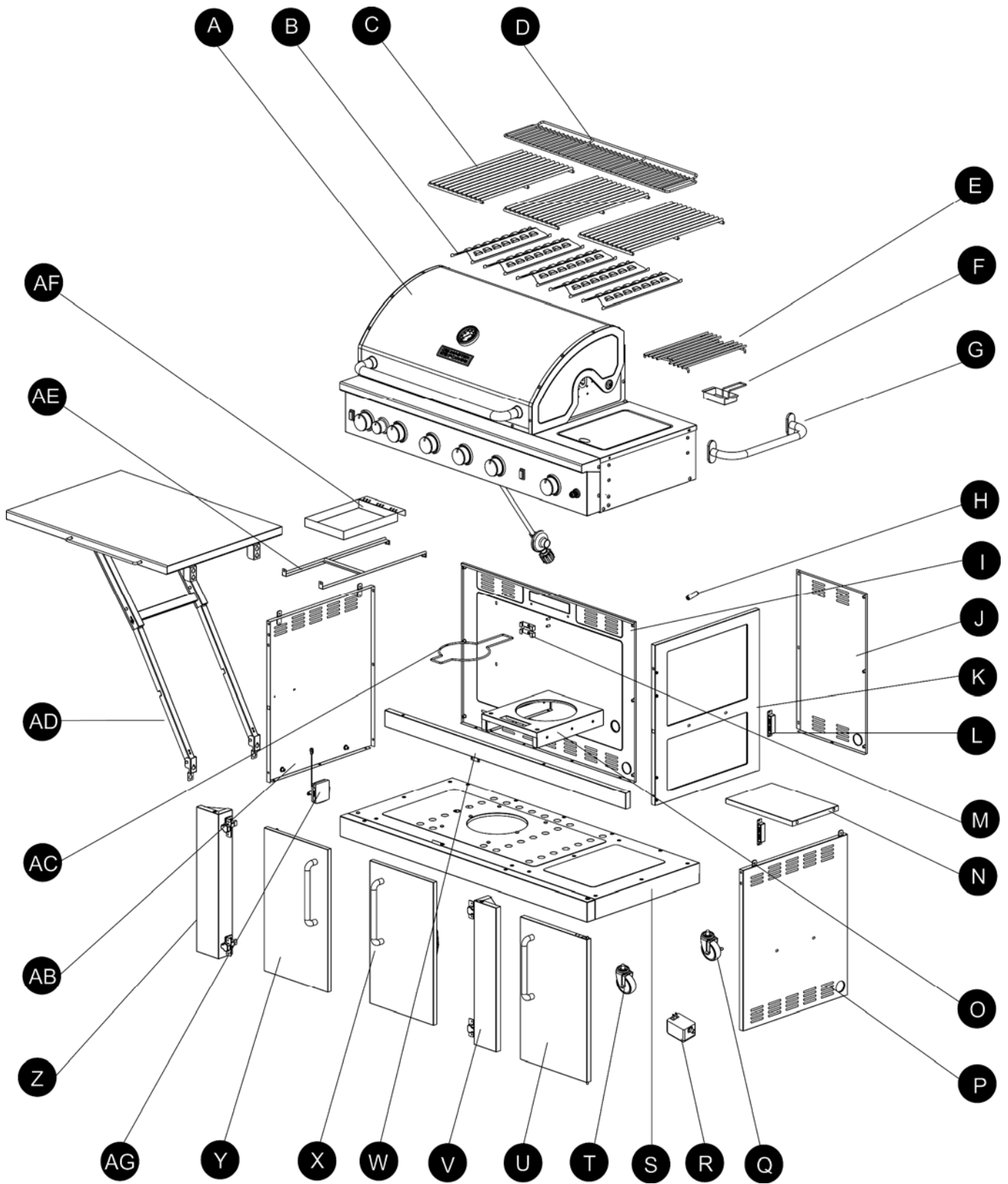
11/495,104

11/268,051

SAFETY TIPS

- Never pull your grill. Always push it.
- Never move your grill while it is in operation or still hot.
- Always use a protected hand when cleaning the grid surface after the post-heating period and when closing the propane tank valve.
- Use a covered hand during the grilling period.
- Wait until the burner box has completely cooled before reaching under to turn off the gas.
- Using an uncovered hand to turn off the LP tank valve without allowing the grill to cool down could result in severe burns.
- Never operate your grill under overhangs, awnings or any covered or enclosed area.
- Never spray liquid on the grid area to control flare ups.
- To guard against possible grease fires getting out of control, never leave a grill unattended. Grease fires can be severe and cause grill damage, property damage and bodily harm.
- Always turn off the control knob first, and then the propane gas supply tank.
- Never cover your grill while it is still warm.
- Position your portable grill away from direct wind.
- Do not store or use gasoline or other flammable substances in the vicinity of your gas grill.
- Never store a propane tank (whether full or empty) inside your home or living area.
- Before storing your tank, make sure that it has been turned to the “OFF” position.
- Should you store your grill indoors, be sure to close the tank valve, disconnect the hose from the tank, remove the tank from the grill and store the tank outdoors.
- Make sure the grill hood is completely open before lighting your grill.
- When connecting or replacing any gas fittings, all joints must be sealed with an approved, leak-proof sealing compound.
- Never use an open flame to test for gas leaks.
- When your grill is not in use, it is recommended that for child safety, you remove the control knobs and store them indoors.
- Keep children away from the grill at all times.
- Never drill out any orifice or make any field alterations to your grill without receiving approval from the manufacturer.
- Do not store flammable materials in any of the cabinets beneath the grill burner box or in the vicinity of your grill.
- Be careful while handling any parts during assembly. It is strongly recommended that you protect your hands with a pair of work gloves.
- At high temperatures some stainless grids may discolor over time. When the grill is cool, wiping with a towel and vegetable oil may remove and treat some of this effect. Some discoloration is normal.

PACKAGE CONTENTS



PACKAGE CONTENTS

Part	Description	Quantity
A	Burner Box	1
B	Heat Tent	5
C	Main Grid	3
D	Warming Rack	1
E	Sear Burner Grid	1
F	Sear Burner Drip Tray	1
G	Grill Handle	1
H	Battery	5
I	Left Rear Panel	1
J	Right Rear Panel	1
K	Center Panel	1
L	Door Magnet	2
M	Bracket, Tank Ring	1
N	Shelf board	1
O	Tank Support	1
P	Right Panel	1

Part	Description	Quantity
Q	Locking Caster	2
R	Transformer	1
S	Main Bottom Panel	1
T	Caster	2
U	Right Door	1
V	Right Skirt	1
W	Main Beam	1
X	Center Door	1
Y	Left Door	1
Z	Left Skirt	1
AB	Left Panel	1
AC	Patented Safety Tank Ring	1
AD	Buffet Table	1
AE	Drip Tray Support	1
AF	Main Burner Drip Tray	1
AG	Battery Box	1

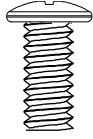
HARDWARE CONTENTS

AA



Nut
Qty. 2

BB



1/4-20 x 5/8 in.
Screw
Qty. 57

CC



5/32-32 x 3/8 in.
Screw
Qty. 6

DD



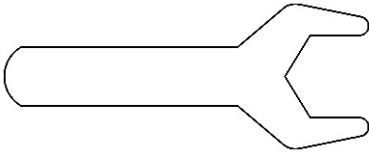
Flat Head 5/32-32
x 1/2 in. Screw
Qty. 8

EE



3/16-24 x 1/2 in.
Screw
Qty. 4

FF



Wrench
Qty. 1

PREPARATION

Before beginning assembly of product, make sure all parts are present. Compare parts with package contents list and diagram above. If any part is missing or damaged, do not attempt to assemble the product. Contact customer service for replacement parts.

Estimated Assembly Time: 50 minutes by 2 people

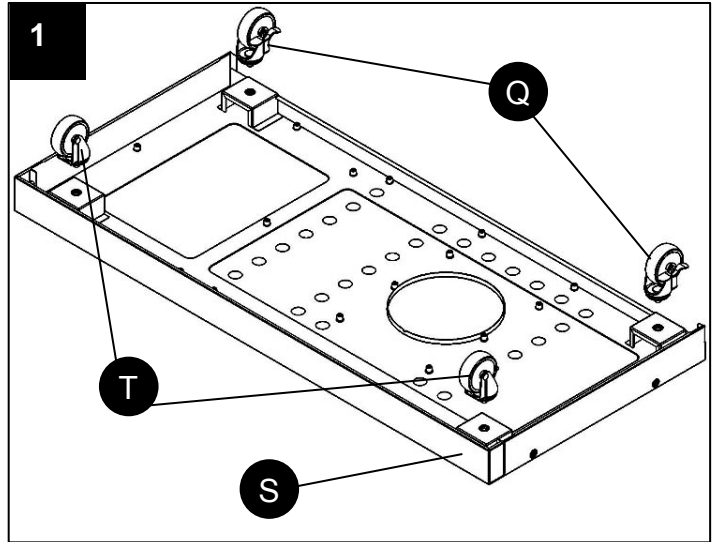
Tools Required for Assembly: Phillips screwdriver (sold separately)

ASSEMBLY INSTRUCTIONS

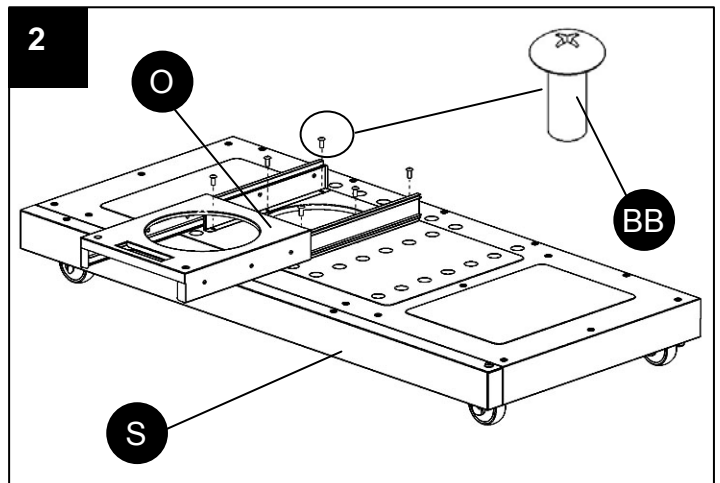
⚠ WARNING: The grill should be assembled and placed on a flat level surface.
Compare the parts and hardware with the list and diagrams. Do not attempt assembly if any part is missing or damaged.

1. Align the casters (Q and T) with the holes of the main bottom panel (S).
Use the wrench (FF) to tighten. When this process is completed, turn the bottom panel over.


The two locking casters (Q) should be at the back of the grill. (Fig. 1)



2. Attach the tank support (O) to the main bottom panel (S) with six screws (BB).
(Fig. 2)




Hardware Used

BB 1/4-20 x 5/8 in.
Screw  X 6

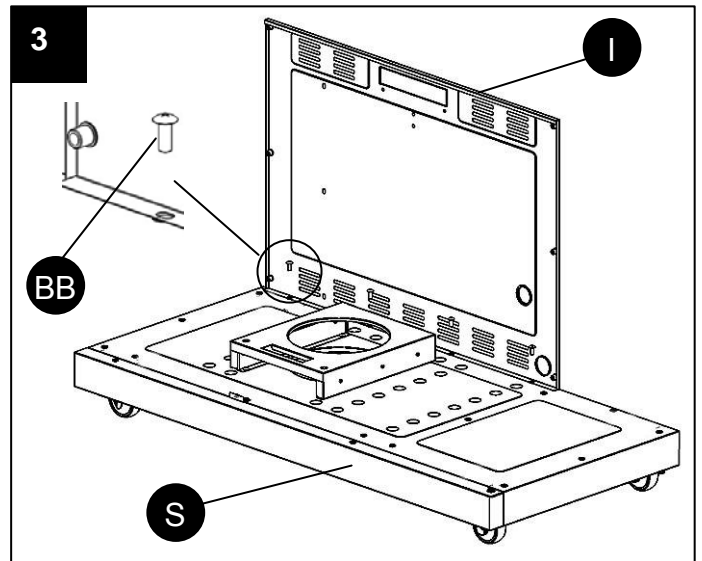
ASSEMBLY INSTRUCTIONS

3. Align the holes in the left rear panel (I) with the holes in the main bottom panel (S) and insert the screws (BB) into the aligned holes. (Fig. 3)

Hardware Used


BB 1/4-20 x 5/8 in. Screw  X 4

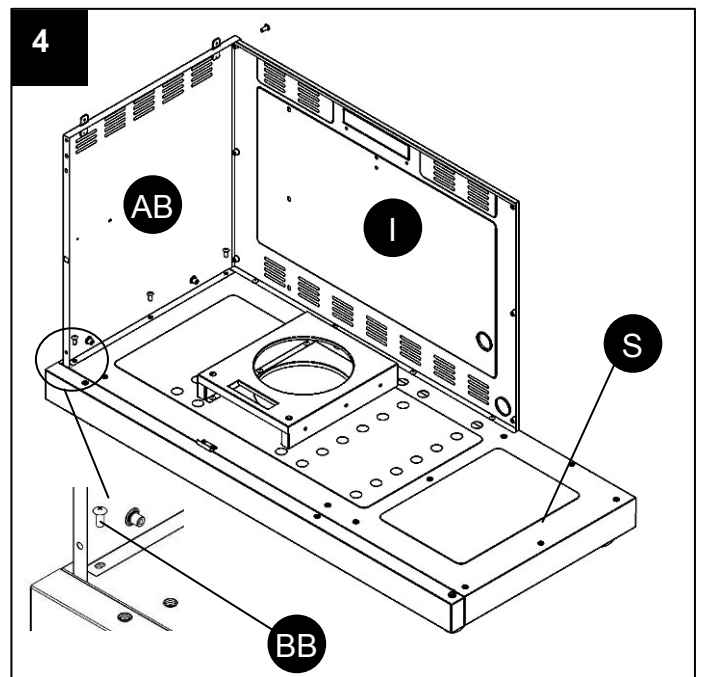
Note: Do not tighten the screws completely. Leave at least one full turn on each. After all the screws have been installed, go back and tighten them fully.



4. For left panel (AB), there are six screws (BB) to connect to the left rear panel (I) and main bottom panel (S), three in the rear and three inside the cabinet. Insert the screws into the aligned holes and tighten them. The three screws inside the cabinet should be engaged first. (Fig. 4)

Hardware Used

BB 1/4-20 x 5/8 in. Screw  X 6




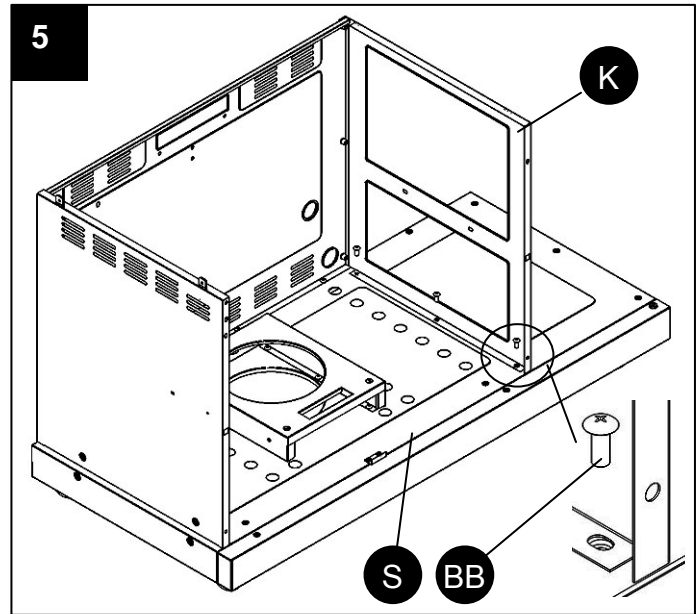
ASSEMBLY INSTRUCTIONS

5. Align the holes in the Center Panel (K) with the holes in the main bottom panel (S) and insert the screws (BB) into the aligned holes and tighten them. (Fig. 5)

Note: Do not tighten the screws completely. Leave at least one full turn on each.


Hardware Used

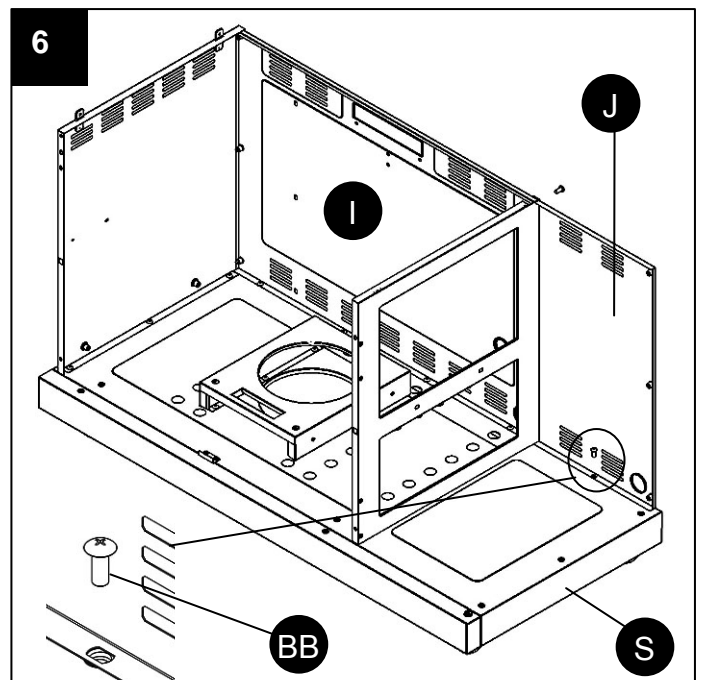
BB 1/4-20 x 5/8 in. Screw  X 3



6. For right rear panel (J), there are four screws (BB) to connect to the left rear panel (I) and main bottom panel (S), three in the rear and one inside the cabinet. Insert the screws into the aligned holes. After all the screws have been installed, tighten the three screws installed during step 5 and the one inside the cabinet first, and then tighten the three in the rear. (Fig. 6)

Hardware Used

BB 1/4-20 x 5/8 in. Screw  X 4



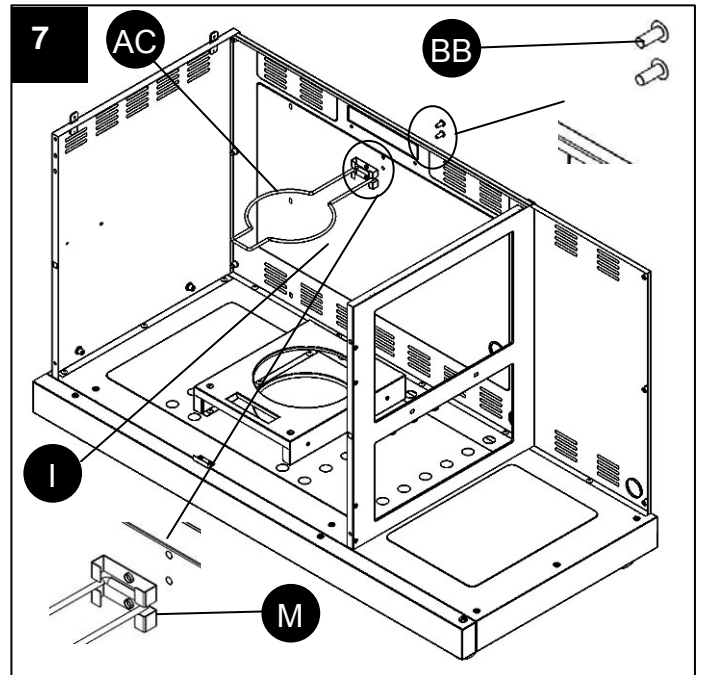
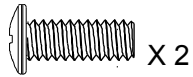
ASSEMBLY INSTRUCTIONS

7. Slide the tank ring bracket (M) to the end of the patented safety tank ring (AC) as shown. Then align the holes in the ring bracket with left rear panel (I), insert screws (BB) into the holes from outside of grill, and then tighten completely.

(Fig. 7)

Hardware Used

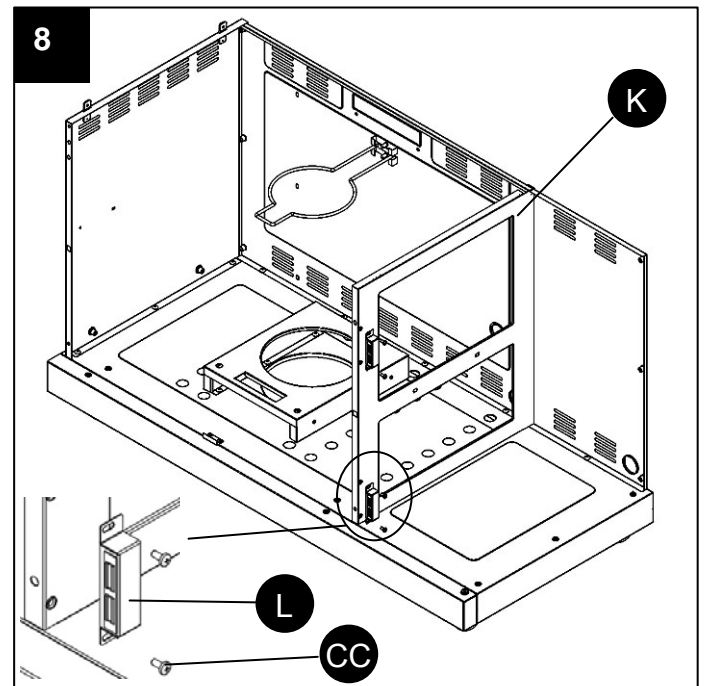
BB 1/4-20 x 5/8 in.
Screw



8. For the door magnet (L), there are four screws (CC) to connect to the center panel (K). Insert the screws into the aligned holes and tighten them. (Fig. 8)

Hardware Used


CC 5/32-32 x 3/8 in.
Screw

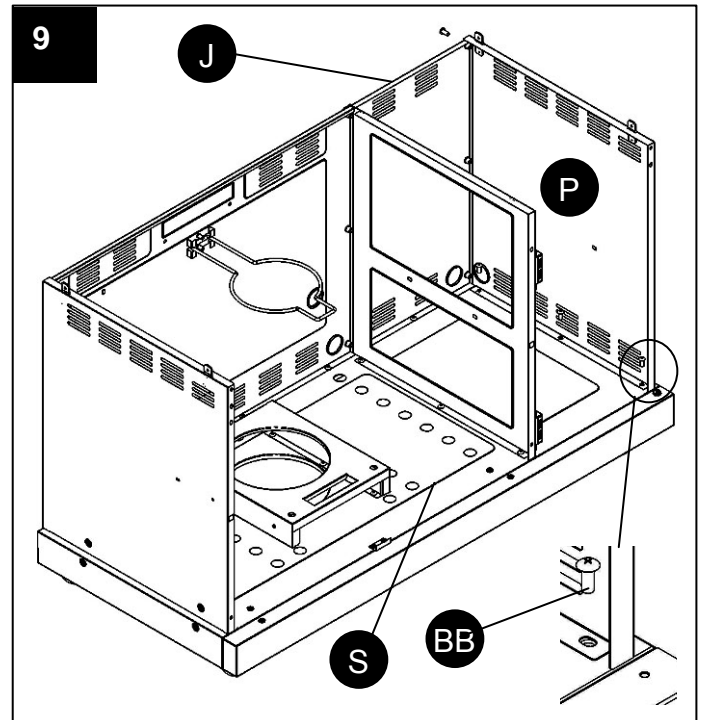


ASSEMBLY INSTRUCTIONS

9. For right panel (P), there are six screws (BB) to connect to the right rear panel (J) and the main bottom panel (S), three in the rear and three inside the cabinet. Insert the screws into the aligned holes and tighten them. The three screws inside the cabinet should be engaged first. (Fig. 9)


Hardware Used

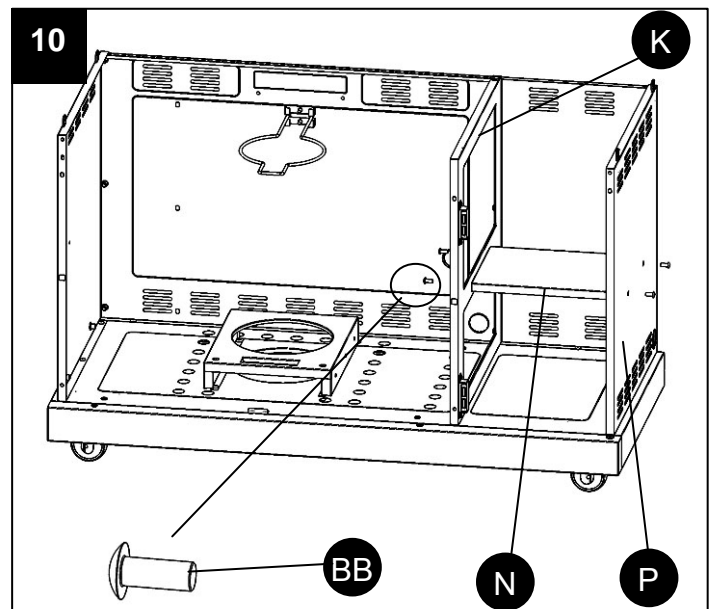
BB 1/4-20 x 5/8 in. Screw  X 6



10. For shelf board (N), there are four screws (BB) to connect to the center panel (K) and the right panel (P). Insert the screws into the aligned holes and tighten them. (Fig. 10)

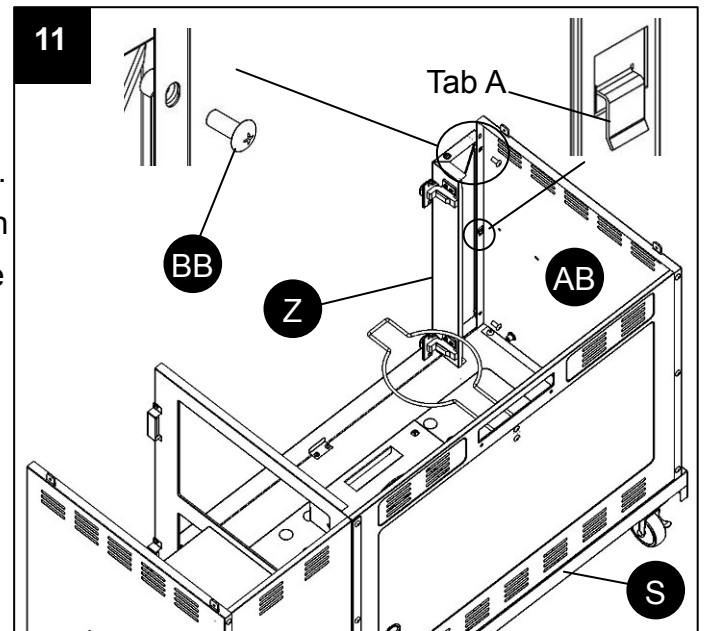
Hardware Used

BB 1/4-20 x 5/8 in. Screw  X 4




ASSEMBLY INSTRUCTIONS

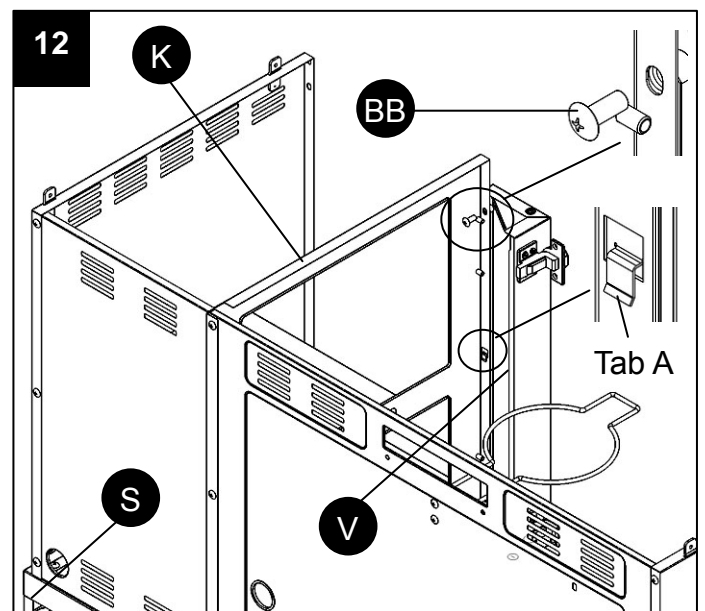
11. For left skirt (Z), there are four screws (BB) to connect to the left panel (AB) and main bottom panel (S), two in the left panel and two inside the cabinet. Make sure the tab A is locked in place. Insert the screws into the aligned holes and tighten them. The two screws inside the cabinet should be engaged first. (Fig. 11)




Hardware Used

BB 1/4-20 x 5/8 in. Screw  X 4

12. Insert the "Tab A" in right skirt (V) into the square hole in the Center Panel (K) and push down. Make sure the tab is locked in place. For this skirt, there are four screws (BB) to connect to the center panel (K) and main bottom panel (S), two in the middle panel and two inside the cabinet. Insert the screws into the aligned holes and tighten them. The two screws inside the cabinet should be engaged first. (Fig. 12)



Hardware Used

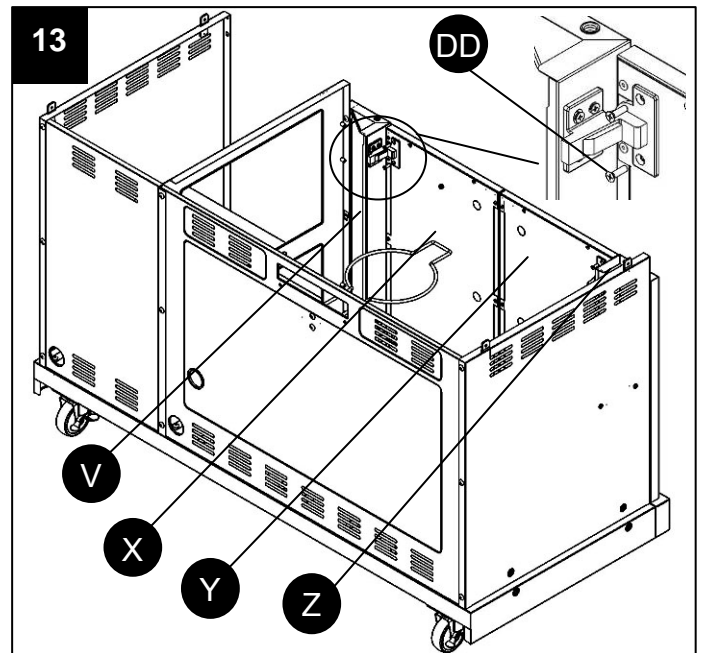
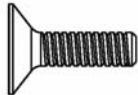
BB 1/4-20 x 5/8 in. Screw  X 4

ASSEMBLY INSTRUCTIONS

13. Align the holes in the hinges of the two doors (X and Y) with the two skirts (V and Z), insert flat head screws (DD) into the holes, and then tighten. (Fig. 13)

Hardware Used

DD Flat Head 5/32-32 x 1/2 in. Screw X 8

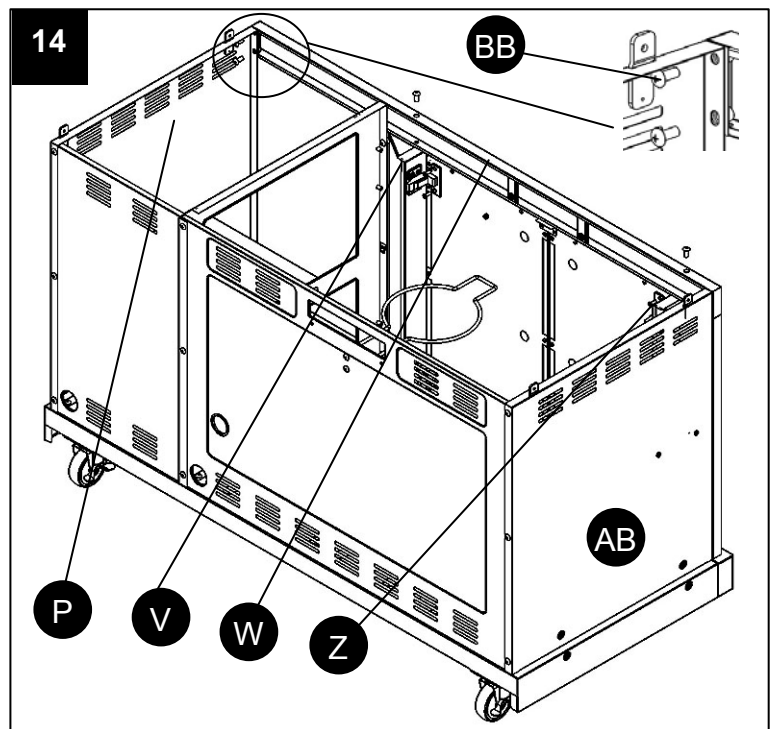


14. Align the holes in the main beam (W) with side panels (P and AB) and two skirts (V and Z), insert screws (BB) into the holes, and then tighten.

There are four screws to connect the side panels and two screws to connect the skirts. (Fig. 14)

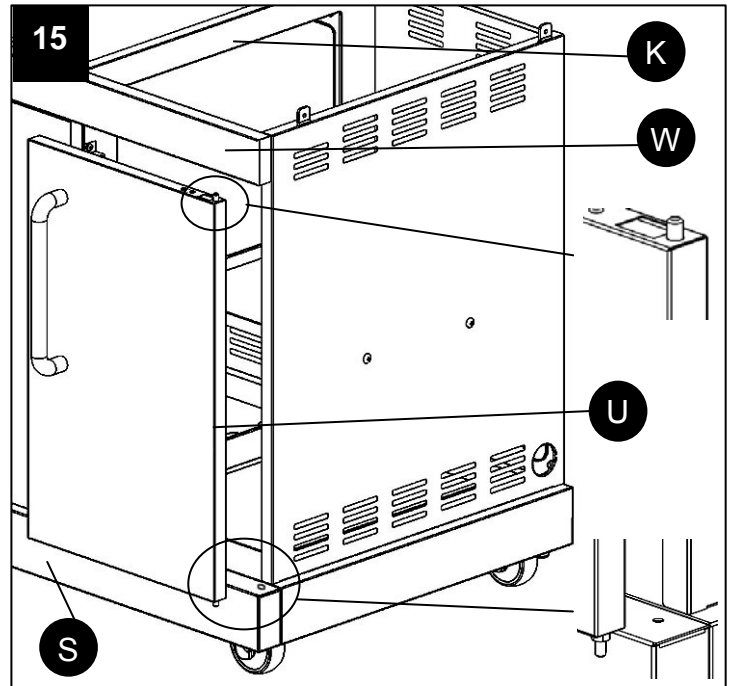
Hardware Used

BB 1/4-20 x 5/8 in. Screw X 6

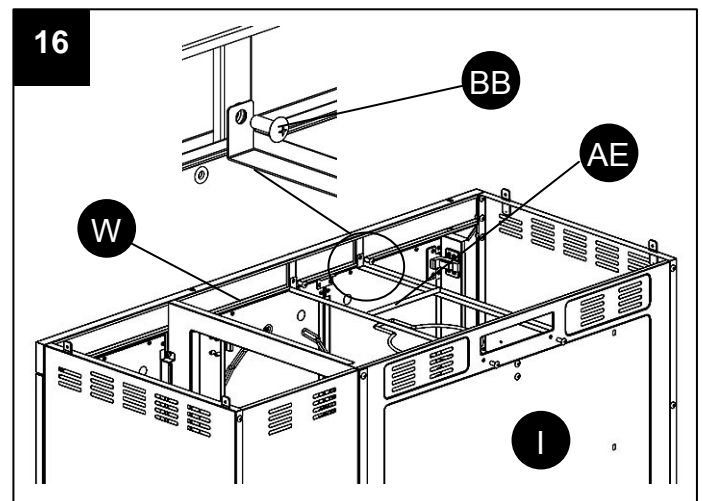


ASSEMBLY INSTRUCTIONS

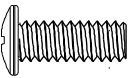
15. For right door (U), insert bottom hinge pin into hole in the main bottom panel (S). Push down on top hinge pin to insert into hole on the main beam (W). Loosen the screws holding the magnets to center panel (K). Adjust magnets to contact the right door, then tighten the screws again. (Fig. 15)



16. Align the holes in the drip tray support (AE) with the holes in the main beam (W) and in the left rear panel (I). Insert screws (BB) into the holes and tighten them. Note the orientation of the drip tray support as shown. (Fig. 16)

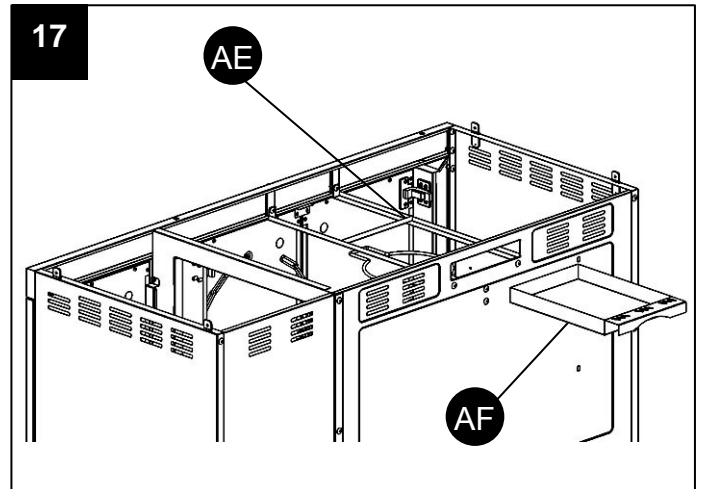


Hardware Used

BB 1/4-20 x 5/8 in.  X 4
Screw

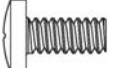

ASSEMBLY INSTRUCTIONS

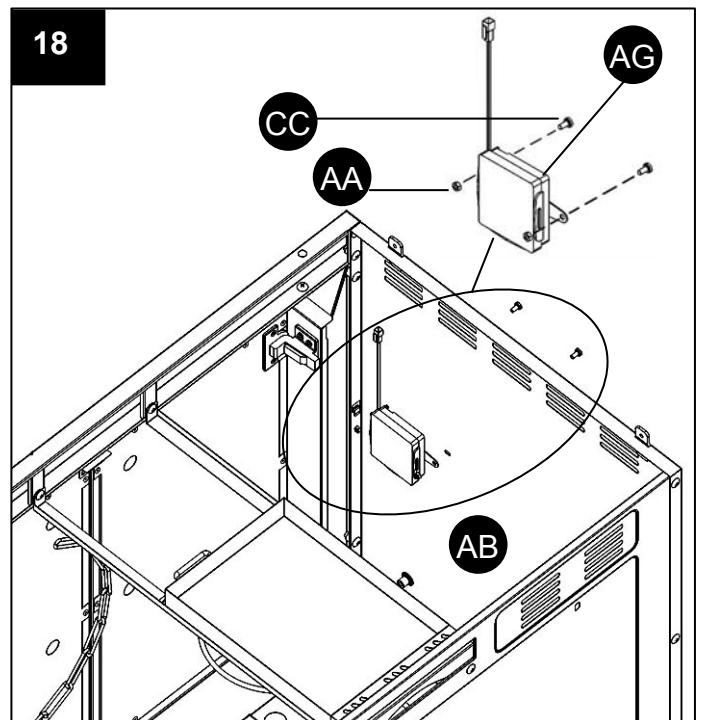
17. Slide the main burner drip tray (AF) between the drip tray support (AE) from the back of grill. (Fig. 17)



18. Attach the battery box (AG) to the left panel (AB) with screws (CC) and nuts (AA). (Fig. 18)

Hardware Used

CC	5/32-32 x 3/8 in. Screw		X 2
AA	Nut		X 2

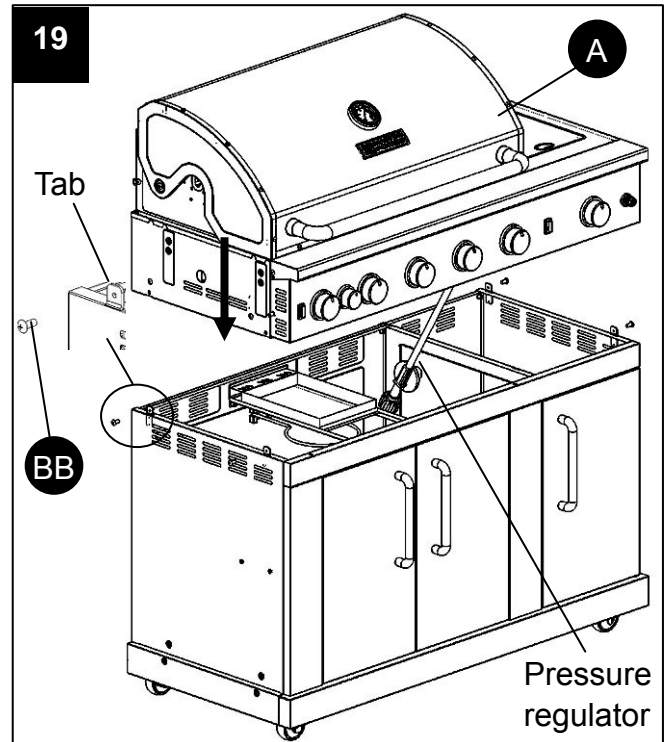


ASSEMBLY INSTRUCTIONS

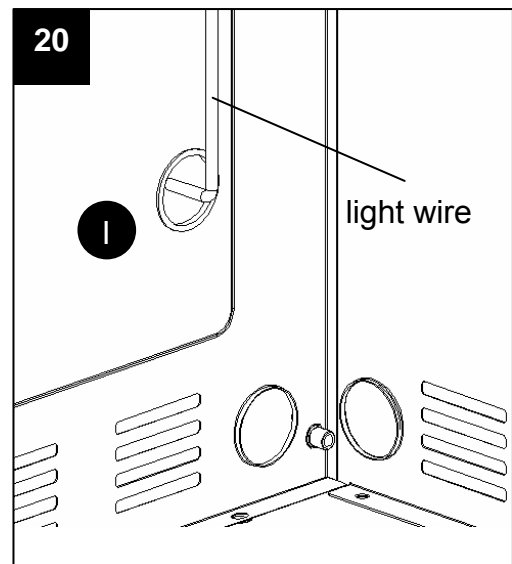
19. Take the pressure regulator out from under the burner box (A). Then lift the burner box (A) onto the cabinet, making sure that the gas pressure regulator is in the cabinet, then position burner box on the cabinet by aligning the four tabs on top of the cabinet with the holes in the burner box. Fasten the burner box to the cabinet with 4 screws (BB). (Fig. 19)

Hardware Used

BB 1/4-20 x 5/8 in. Screw X 4

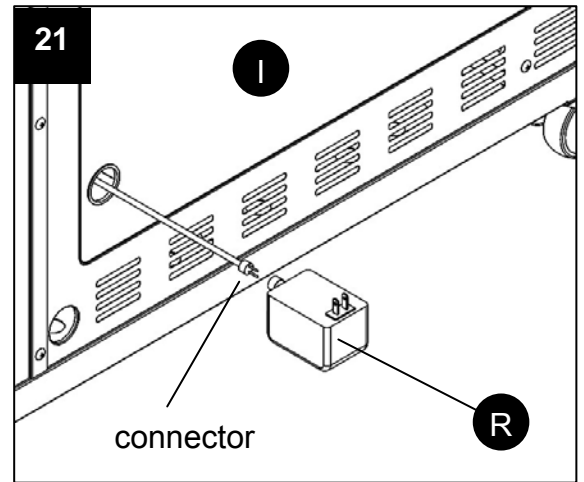


20. Route the light wire from the burner box (A) through the bottom of the burner box into the cabinet. Then pull the wire through the opening in the left rear panel (I). (Fig. 20)

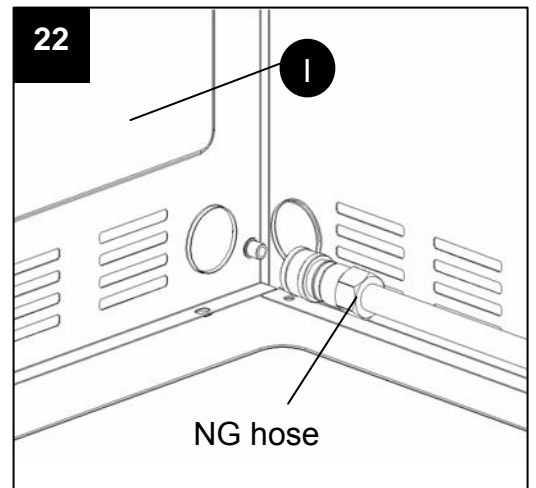


ASSEMBLY INSTRUCTIONS

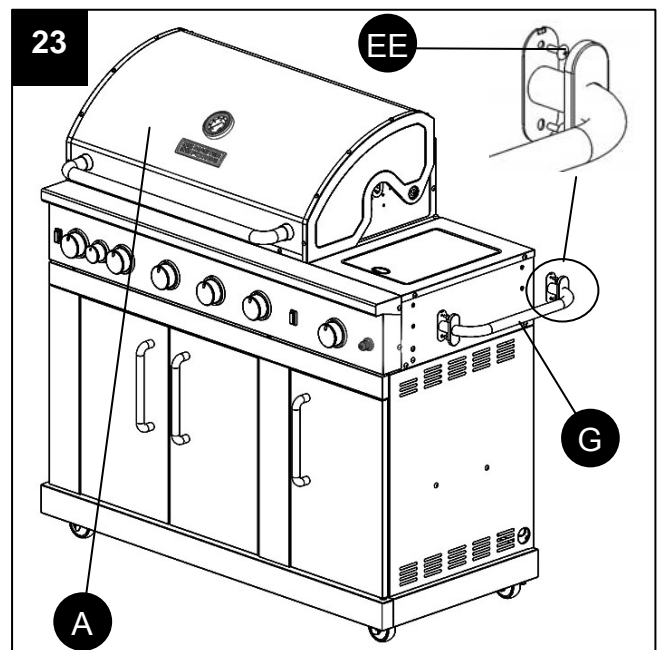
21. Connect the connector which is on the end of the light wire from step 20 to the transformer (R). Push the connector to mate firmly with the transformer. Then, screw and tighten the cap on the connector. (Fig. 21)



22. On the NG model, pass the natural gas hose through the hole in the left rear panel (I) to your gas supply system. (Fig. 22)

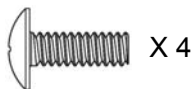


23. Move the covers away the bases of the grill handle (G), align the holes in the bases with the holes of the burner box (A). Insert screws (EE) into the aligned holes and then tighten them. After tightening the screws, move the covers onto the bases. (Fig. 23)



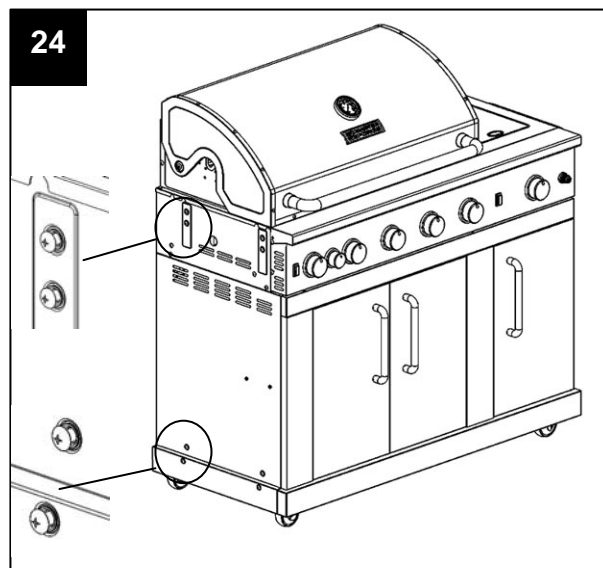
Hardware Used

EE 3/16-24 x 1/2 in. Screw X 4

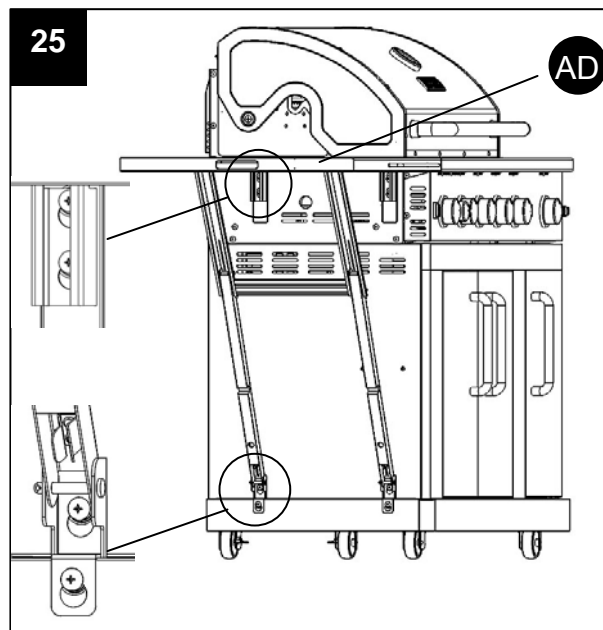


ASSEMBLY INSTRUCTIONS

24. Loosen the eight screws in the side panel of burner box and the bottom panel three turns. This will allow for quick assembly of the buffet table. (Fig. 24)

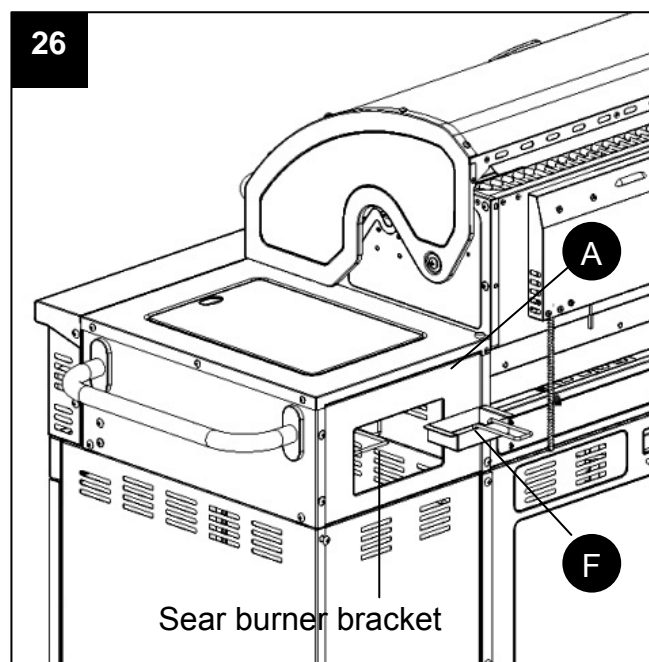


25. Align the holes of the hinges in the buffet table (AD) with the holes in the burner box and the main bottom panel. Tighten the eight screws loosened during step 24. (Fig. 25)

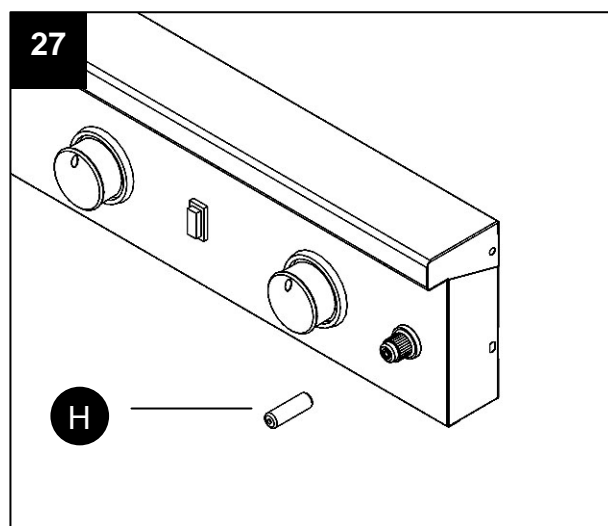


ASSEMBLY INSTRUCTIONS

26. Slide the sear burner drip tray (F) from the back of burner box (A) to the sear burner bracket. (Fig. 26)



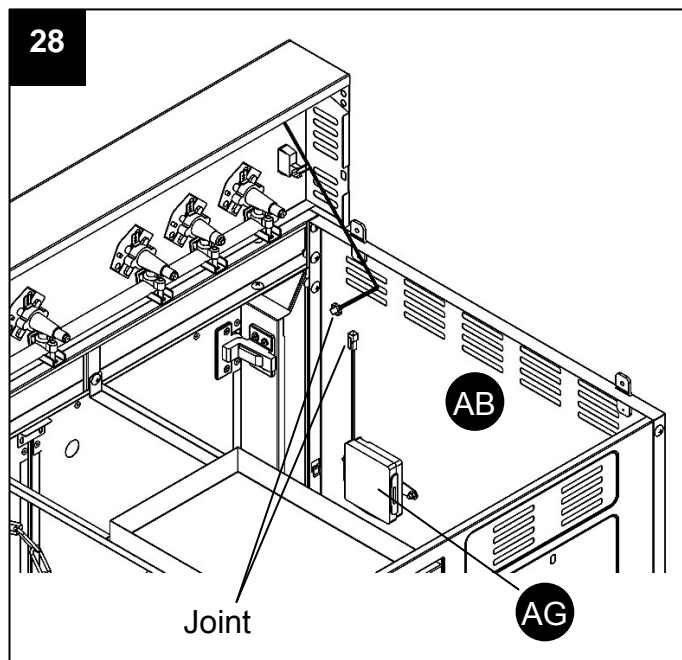
27. Put a battery (H) into the electronic ignition with correct pole direction. (Please refer to the battery mark on the side of the cap). Push and turn the knobs to check if there are sparks produced between the ignition pin and the main burner. If not, please refer to the troubleshooting section to solve the problem. (Fig. 27)



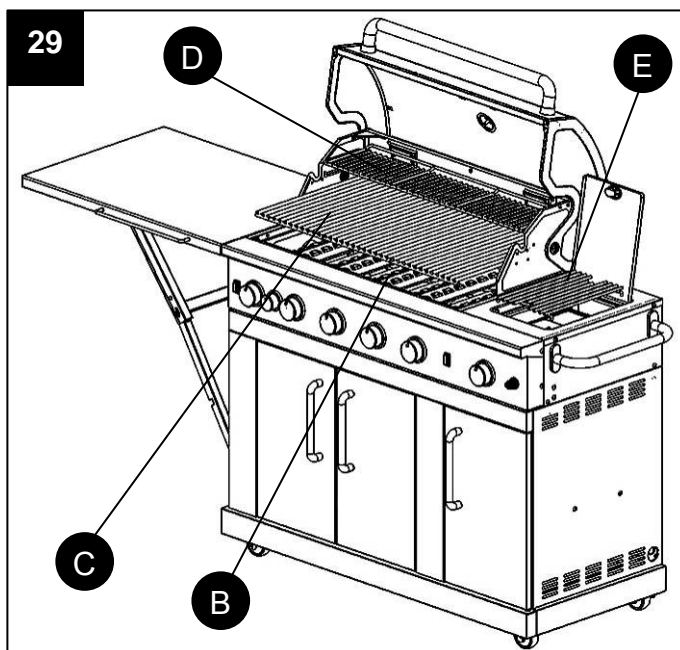
ASSEMBLY INSTRUCTIONS

28. Connect the joint of the battery box (AG) with the joint of the LED light wire.
(Fig. 28)

Note: 4 batteries included in the package must be put into the battery box.



29. Position the sear burner grid (E), 5 heat tents (B), 3 main grids (C), and 1 warming rack (D) into place.
(Fig. 29)



ASSEMBLY INSTRUCTIONS

IMPORTANT

CHECK SPARKS

After you complete your grill assembly, test your ignition system with the GAS OFF. Check for continuous sparks when pushing in the knob ignition system. For the side burner, sparks can be seen directly. For main burners, the ignition system is positioned next to each burner inside the burner box. A reflection of sparks or sparks can be seen at the front of the inside of the burner box. Or you can place a mirror on the left of each main burner and see the sparks and hear the click of the igniters. Be sure the GAS IS OFF when you push in the control knobs. This will help assure a trouble-free ignition when you turn on the gas.




ASSEMBLED GRILL DIMENSION (INCHES):

48.5 (HEIGHT) x 81.9 (WIDTH) x 24.8 (DEPTH) (TABLE FOLDED OUT)

48.5 (HEIGHT) x 52.5 (WIDTH) x 24.8 (DEPTH) (TABLE FOLDED DOWN)

WARMING RACK AREA (SQURE INCHES): 211

THE UL LABEL IS ON THE BACK OF THE DOOR, SHOWN AS PICTURED BELOW.

	<p>CERTIFIED UNDER ANS Z21.58a-CSA 1.6a-2008. OUTDOOR COOKING GAS APPLIANCES. FOR OUTDOOR USE ONLY. IF STORED INDOORS, DETACH AND LEAVE CYLINDER OUTDOORS.</p> <p>Minimum clearance from sides and back of unit to combustible construction, 36 inches from sides and 36 inches from back. Do not use this appliance under overhead combustible surfaces. This outdoor cooking gas appliance is not intended to be installed in or on recreational vehicles and / or boats.</p>	 <p>GAS-FIRED LISTED 31EV MH10297</p>
<p>L.G. Sourcing Inc. P.O.Box 1535 North Wilkesboro, NC, 28659 USA Model No.: 3218LTN Type of Gas: Propane (Convertible to Natural Gas) Input: Main Burner: 5x12,000 BTU/Hr Sear burner: 12,000 BTU/Hr Rotis burner: 13,000 BTU/Hr Light: 12VAC 10W Halogen Light x 2 Power input: 120VAC 60Hz 0.3A</p> <p>Manufacturing Date: XX Serial No.: LTN000001</p> <p>(a) Do not store a spare LP-Gas cylinder under or near this appliance; (b) Never fill the cylinder beyond 80 percent full; and (c) If the information in "(a)" and "(b)" is not followed exactly, a fire causing death or serious injury may occur.</p> <p>MADE IN CHINA</p>	<p>CON CERTIFICACION ANS Z21.58a-CSA 1.6a-2008. ELECTRODOMESTICOS DE COCINA A GAS PARA EXTERIORES. PARA USO EN EXTERIORES SOLAMENTE. SI GUARDA LA UNIDAD EN EL INTERIOR, RETIRE EL TANQUE Y DEJELO EN EL EXTERIOR.</p> <p>Debe haber un espacio de separación mínimo de 91,44 cm desde los lados y la parte posterior de la unidad hasta construcciones de material combustible. No use este electrodoméstico debajo de superficies combustibles. Este electrodoméstico de cocina a gas para exteriores no está diseñado para instalarse en vehículos recreativos ni en botes.</p>	 <p>GAS-FIRED LISTED 31EV MH10297</p>
<p>L.G. Sourcing Inc. P.O.Box 1535 North Wilkesboro, NC, 28659 USA Modelo No. 3218LTN Tipo de gas: propano (Convertible a Gas Natural) Entrada: Quemador principal: 5x12,000 BTU/h Queimador de cocção: 12,000 BTU/h Rotis quemador: 13,000BTU/h Luz: 12VAC de luz halógena 10W x 2 Energía de entrada: 120V 60Hz 0.3A</p> <p>Date de fabrication : XX N° de série : LTN000001</p> <p>(a) No almacene un tanque de gas propano de reserva debajo o cerca de este aparato; (b) Nunca llene el tanque a más del 80% de su capacidad; y (c) Si no sigue con precisión la información en "(a)" y "(b)", puede provocar un incendio que produzca lesiones graves o la muerte.</p> <p>HECHO EN CHINA</p>		



COOKING WITH GAS

For Portable LP-Gas Connection

The cabinet has an opening in the bottom panel that allows a 20 lb. gas tank bottom flange to drop into place (tank sold separately). This will help to lock the tank in place. Before installing your gas tank, lift up the patented safety tank ring (as shown in Fig. 29a). After positioning the tank in the opening, lower the patented safety tank ring to lock the tank. Use only 20 lb. gas tank (see LP Gas Safety Requirements for Additional Information). **As shown in Fig. 29b, it is unsafe to operate the grill if the gas tank is not vertical.**

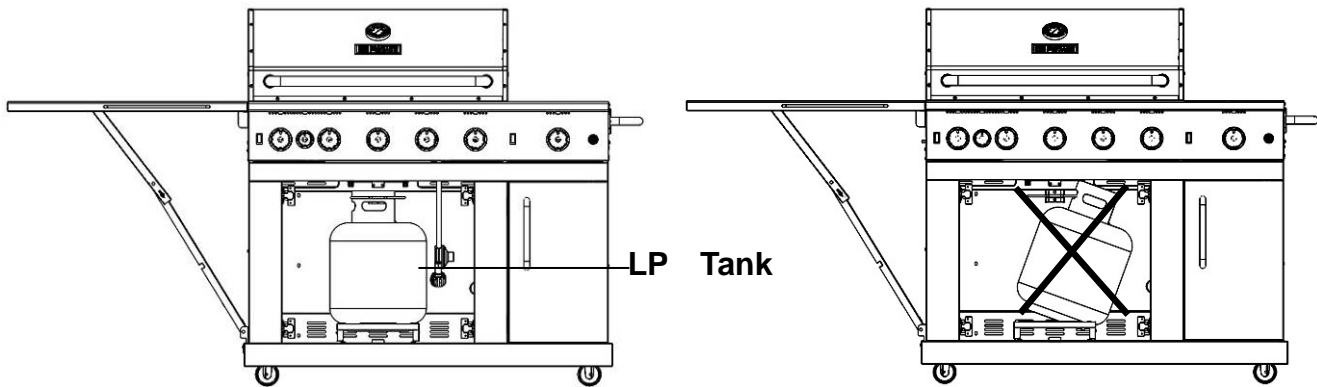


Fig. 29a

Fig. 29b

WARNING: The Type I connective coupling (see Fig. 30) supplied with your grill must not be replaced with a different type of grill/tank connection system. Removal will result in loss of warranty, gas leakage, fire and severe bodily harm.

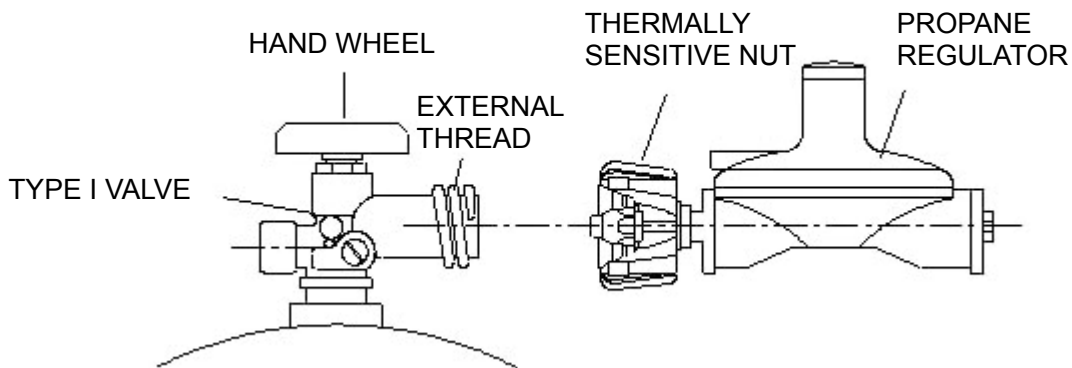


Fig. 30

The propane tank valve connection supplied with this grill incorporates the four important safety guards: Hand Assembly, Hand Disassembly, Excess Flow Control and Temperature-Activated Shut-Off.

COOKING WITH GAS

a. Hand Assembly:

1. Make certain the tank valve and all the appliance valves are in the “OFF” positions.
2. When connecting the regulator/burner valve assembly to the tank valve, turn the large plastic nut clockwise until it stops.
3. Gas will not flow unless the plastic nut is completely connected.
4. HAND TIGHTEN ONLY.

b. Hand Disassembly:

1. Make certain the tank valve and all the appliance valves are in the “OFF” positions.
2. Turn the large plastic nut counter-clockwise until it is disassembled.
3. HAND LOOSEN ONLY.

c. Excess Flow Control and Low Heat

The propane regulator assembly incorporates an excess flow device designed to supply the grill with sufficient gas flow under normal conditions yet control excess gas flow.

Rapid changes in pressure can trigger the excess flow device providing a low flame and low temperature. If the tank valve is turned open to allow gas flow while a burner valve is open, the surge of pressure will cause the device to activate. The device will remain closed until the pressure is equalized. This should occur within 5 seconds.

To ensure this does not cause difficulty in lighting the grill, follow these instructions:

1. Make sure all burner valves are “OFF”.
2. Open the tank valve and wait 5 seconds.
3. Light the burners one at a time following the lighting instructions.

d. Temperature-Activated Shut-Off

The large plastic nut on the regulator assembly is designed in coordination with a check valve in the tank valve to shut off the flow of gas when exposed to temperatures between 240-300° F.

In the event of a fire or hose break, one of the safeguards will function to control or stop the flow of gas from the propane tank. Never attempt to use damaged equipment.

Important: Before the use of a fresh tank of gas, please check leakage around the connections according to section ‘Checking Gas Leaks’, and make sure there is no leakage or vapor accumulation in the cabinet. Make sure all openings around side walls are not blocked.

Important: Place dust cap on cylinder valve outlet whenever the cylinder is not in use. Only install the type of dust cap on the cylinder valve outlet that is provided with the cylinder valve. Other types of caps or plugs may result in leakage of propane.

COOKING WITH GAS

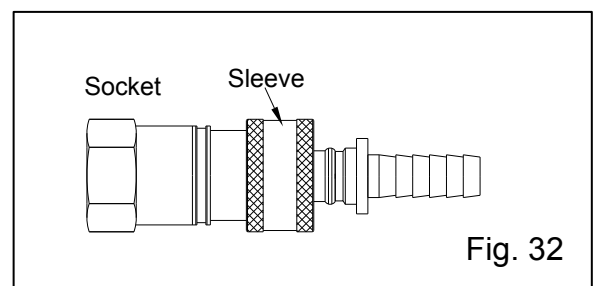
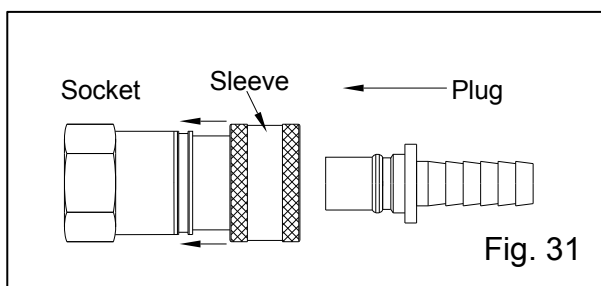
For Natural Gas Connection

Preparing:

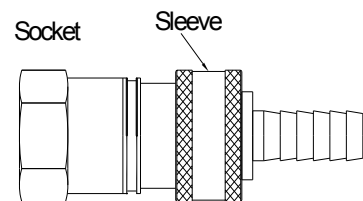
1. Turn off gas supply, and then remove cap on gas supply side.
2. Recommended: Install a shut-off valve on gas supply side before installing the socket.
3. Socket should be installed by an authorized technician in accordance with the national fuel gas code (NFPA 54/ANSI223.1).
4. Before inserting plug, turn on gas supply and leak test all connections including the stem of the shut-off valve and the opening of the socket. For best results, use an ammonia-free soap and water solution.

Operating Instructions:

1. To connect, push back socket sleeve (Fig. 31).



2. Insert plug and release sleeve (Fig. 32).
3. Push plug until sleeve snaps forward (Fig. 33).
(Gas will flow automatically. Failure to connect plug properly to socket will inhibit gas flow to the appliance.)



4. Test connection with ammonia-free soap and water solution.

To disconnect

1. Pull sleeve back. Pull plug out of socket. (Gas is automatically shut off.)
2. Close shut-off valve and replace dust caps on socket and plug.

Gas Requirements

The 3218LTN grill is set and tested at the factory for the type of gas supply to be used. Identify the type of gas, either natural gas or LP gas, and make sure the marking on the rating plate matches the gas supply. The rating plate is located on the inside panel of the left door.

COOKING WITH GAS

LP Gas

If your grill is for LP Gas, the regulator supplied is set for an 11-in. water column (WC) and is for use with LP gas only. The factory-supplied regulator and hose must be used with a 20-lb. LP gas tank.

Natural Gas

Your grill 3218LTN is natural gas convertible. NG kit sold separately (Item #0050772). Please follow the manual to convert your grill to natural gas.

If your grill is for Natural Gas, it is set for a 7-in. water column (WC) and is for use with Natural Gas only. Gas pressure is affected by gas line size and the length of gas line run from the house gas line. Follow the recommendations in the chart below.

From House to Grill	
Distance	Tubing Size
Up to 25 ft.	3/8 in. DIA
26-50 ft.	1/2 in. DIA
51-100 ft.	2/3 in. of run 3/4 in. 1/3 in. of run 1/2 in.
Over 101 ft.	3/4 in. DIA

LP GAS System

Contact your gas supplier for a special regulator for bulk gas that fuels other appliances.

Gas Consumption

Total gas consumption of this grill with the burner(s) on "HIGH": Table 1 below.

Table 1

Burner Type	BTU/HR
Main Burners	12000 x 5
Sear Burner	12000 x 1
Rotisserie Burner	13000 x 1

LP Gas Safety Requirement

For LP gas grills, the LP gas supply tank to be used must be:

- (a) Constructed and marked in accordance with the Specifications for LP Gas Tanks of the U.S. Department of Transportation (DOT) or the National Standard of Canada, CAN/CSA-B339 Cylinders, Spheres and Tubes for Transportation of Dangerous Goods; and Commission, as applicable.
- (b) Provided with a listed Overfill Prevention Device (OPD).

COOKING WITH GAS

(c) Provided with a tank connection device compatible with the connection for outdoor cooking appliances.

The tank should be 12 inches in diameter and 18-1/2 inches tall and be equipped with a Type-1 fitting.

The tank supply system must be arranged for vapor withdrawal.

The tank used must include a collar to protect the cylinder valve.

Do not operate the gas grill indoors or in any enclosed area. If the gas grill is not in use, the gas must be turned off at the supply tank. If the grill is to be stored indoors, disconnect the gas supply tank and store the tank in an upright position in a cool, well-ventilated outdoor location away from your grill or any other heat source.

When checking for gas leaks, do not use an open flame. Use a soapy water solution and apply it to the pipe joints and fittings with a brush and check for bubbles. Check flexible hoses for cuts and wear that may affect the safe operation of the grill. Only the factory supplied hose and regulator must be used. Use only replacement regulator and hose assemblies specified by manufacturer.

Checking Gas Leaks

Before operating your grill, after refueling, check carefully to be certain that all connections are tight and there are no gas leaks.

1. Make 2-3 ounces of leak solution by mixing liquid dishwashing soap with water.
2. Make certain all control knobs are in the "OFF" position.
3. Brush small amounts of the leak solution on all the fittings and turn the gas on.
4. If bubbles appear, there is a leak. Proceed to step 5.
5. Turn the gas off and tighten all connections.
6. Go back to step 1 to retest the fittings.
7. If bubbles continue to appear, turn the gas off. Contact customer service.

WARNING: Never use a match or open flame for leak detection. Use of an open flame could result in a fire, explosion and bodily harm.

IMPORTANT: When connecting or replacing any gas pipe or fittings, all joints must be sealed with approved leak-proof sealing compound or plumber's tape.

Handling the Liquid Propane Tank Safely

Remember to handle your portable liquid propane tank carefully when you take it to your dealer for a refill. Avoid dropping it or bumping it against sharp objects. Liquid propane tanks are sturdily constructed, but a series of hard jolts could damage the container.

COOKING WITH GAS

When transporting the tank to your local propane gas dealer, make sure the valve is closed tightly and the protective cover is in place. Position the tank securely in an upright position so it will not roll around your vehicle.

If you plan to make stops for shopping or errands, have your liquid propane tank filled at the last stop before going home. Again, make certain the refilled tank is secure and in an upright position. When you return home, remove the refilled tank from your vehicle. Never leave a portable liquid propane tank inside a vehicle that may become overheated by the sun.

Your local liquid propane gas dealer will gladly offer you additional safety tips.

Storing the Liquid Propane Tank Safely

Whether you are between cross-country treks in your recreational vehicle or looking for a place to keep the liquid propane tank to provide fuel for your outdoor grill, keep in mind some basic safety rules about storing portable liquid propane tanks:

Do not store the tanks (whether full or empty) inside your home, the living area of an R.V., a garage, basement or workshop. It is unlikely that liquid propane will leak from the tanks. If it should leak, the fuel could be exposed to sparks from automobiles, power tools or other appliances. When storing or transporting your LP tank, it must remain in an upright position. Never lay your LP tank down on its side whether it is full or empty. Never store a spare tank under or near your grill.

CAUTION: Never transport or move your grill or grill tank without first closing the manual valve on your liquid propane gas tank.

The best place to store a liquid propane tank is in a shady or protected spot outdoors, behind your home or garage, or on a screened porch but where it is out of reach of children. Liquid propane will not evaporate. It is in a strong, closed container. It will not lose any of its clean-burning heat content, even if left outside year-round.

WARNING: When not connected to your grill, the LP gas tank must be stored in an upright position in a cool, shady, well-ventilated, outdoor location away from your grill or any other heat source. Failure to follow this warning could lead to tank valve damage, fire hazard and personal injury.

Refilling a Propane Tank

It is extremely important that your LP tank be filled properly when you take it to be refilled. Be sure to use a reputable LP dealer and observe how the tank is filled and at what capacity. An overfilled LP tank can be dangerous.

COOKING WITH GAS

The proper way to fill a tank is by weight. The empty tank should be placed on a scale. The scale weights should be readjusted to a weight that would allow up to 80% of the total weight. The filling operation must end once the tank is filled to 80% of its total capacity. If the tank is not completely empty, the scale readjustment must be changed to consider the propane (LP) already in the tank.

WARNING: An LP (propane) tank is overfilled if it contains more than 80% of its total capacity of propane (LP).

An incorrectly filled or an overfilled LP (propane) tank can be dangerous. If a tank is overfilled and the weather causes the warming of the LP tank, (a hot day, tank left in sun or stored indoors) internal pressure is created due to expansion of the propane which in turn may cause the LP gas to be released through the pressure relief valve on the tank. The pressure relief valve is a safety device required on 20 lb. propane tanks by the Department of Transportation to prevent a catastrophic tank failure due to excessive pressure. LP gas released from the tank is flammable and can be explosive.

IMPORTANT: When connecting or replacing gas pipe or fittings, all joints must be sealed with approved leak-proof sealing compound or plumber's tape. After making connections, check all joints for leaks using a soapy water solution and a brush.

WARNING: Never use an open flame to test for gas leaks. Use of an open flame could result in a fire, explosion and bodily harm.

Locating the Grill

This gas appliance is designed and certified for outdoor use only. Do not operate the grill inside a building, garage, recreation vehicle, screened porch or any enclosed area. Keep the grill away from windy areas, but keep the grill in a well-ventilated area. Do not obstruct the flow of combustion and ventilation air around the grill.

Warning: Do not place the grill under overhead, unprotected combustible surfaces.

Clearance to Combustible Construction

A minimum clearance of 36 in. from the sides of the grill, and a minimum clearance of 36 in. from the back of the grill to adjacent vertical combustible constructions must be maintained. However, the manufacturer strongly suggests a 6 ft. clearance of the grill to combustible constructions.

Clearance to Noncombustible Construction

A minimum clearance of 36 in. from the back of the grill above the cooking surface to noncombustible constructions is required to allow the grill hood to open completely. A minimum of 36 in. clearance to the sides of the grill above the cooking surface to noncombustible constructions is recommended. The grill can be installed directly next to noncombustible construction below the cooking surface.

OPERATING INSTRUCTIONS

Grill Lighting Instructions

Checking orifices' alignment with burners

Orifices may shift during assembly and movement; therefore, check the orifices' alignment with the burners according to the following illustrations before lighting.

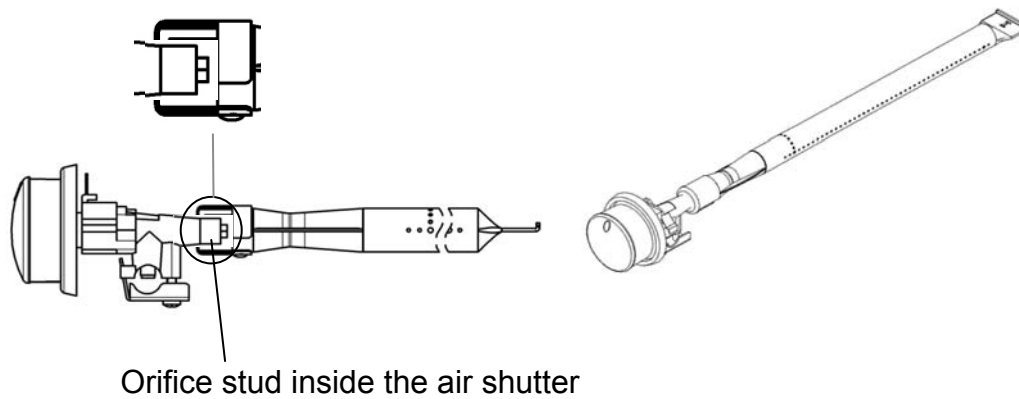


Fig. 34 Main Burner and Orifice Relationship

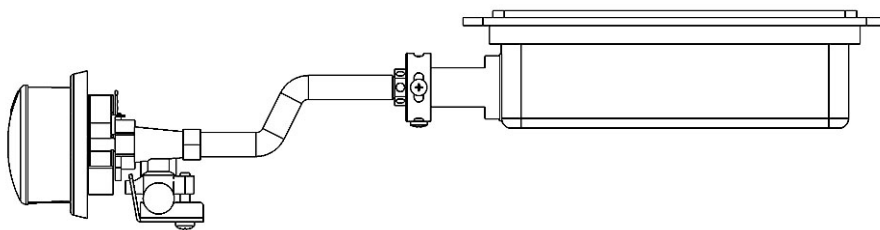
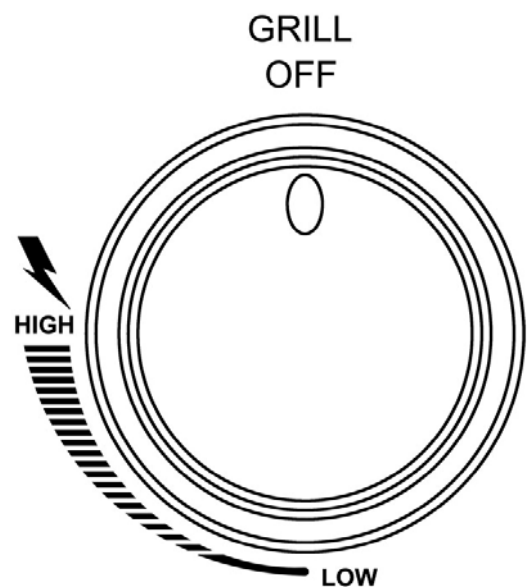


Fig. 35 Sear Burner and Orifice Relationship

Lighting Instructions

1. Read instructions before lighting your grill.
2. Open lid during lighting.
3. Fully open cylinder valve.
4. Push the control knob in and turn the knob to the left to "HIGH" position. Keep pressing the knob until the burner is lit.
5. If ignition does not occur in 5 seconds, turn the burner control off, wait 5 minutes, and repeat the lighting procedure.



OPERATING INSTRUCTIONS

WARNING:

1. Make sure the hood is completely open each time you attempt to light the grill.
Failure to open the hood could lead to delayed ignition resulting in bodily harm.
For the side sear burner, do not use ANYTIME with lid in the down position.
2. This grill is equipped with a flame-observation hole in side panel. Wear protective mitts before using the flame watch.

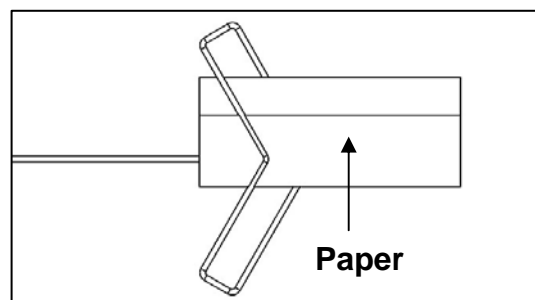
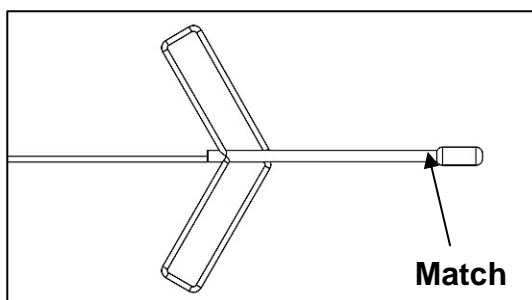
CAUTION: It is important to inspect the full length of the gas line hose. If it is evident there is excessive abrasion or wear, or the hose is cut, the hose must be replaced prior to the appliance being used.

If required, check your parts list for the proper replacement hose assembly. It will be necessary to open the bottom door to fully inspect the hose.

Match Lighting Instructions

Important: The hood must be open when match lighting any burner.

1. Turn on gas supply.
 - a. If portable, at the LP cylinder valve.
 - b. If permanent gas supply, at the manual gas shutoff valve.
2. Locate the flame observation holes on each side.
3. Open the right door to access the match clip with chain.
4. Attach either the match or paper to the clip shown in Fig. 37, light the match and insert it close to the ports of the burner, push and turn the depressed knob to the left to "HIGH" position.
5. The center burner (if needed) can be lit from center grid by inserting the match clip into the front side of flavor step tent. Light this burner before igniting both outside burners.
6. Depress burner valve for that burner and turn to high.
7. Observe that the burner has ignited. Remove the match and extinguish.
8. Repeat Steps 2-6 for the next burner.



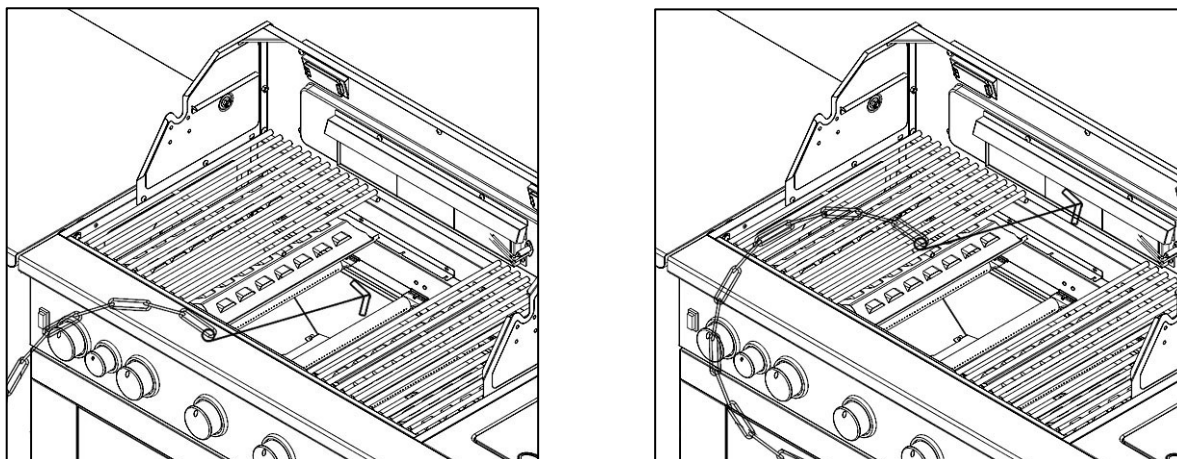


Fig. 37 Match/Paper Lighting Illustration

Breaking in Your Grill

When firing your grill for the first time, it is advisable to run the main burner(s) on “HIGH” for 20 minutes with the hood down and then turn the main burners off. This tempers the grill.

For the side sear burner, do not use ANYTIME with lid in the down position.

Preheating Grill

It is extremely important that your grill be up to temperature before you begin using it. After lighting, close the hood and preheat the grill on “HIGH” for 15 minutes. This preheating will ensure that the cooking grid and grate are hot enough for proper grilling.

CAUTION: Do not cover the grids during the preheating period.

WARNING: Never leave a grill unattended to guard against possible grease fires getting out of control. Grease fires can be severe and cause grill damage, property damage and bodily harm.

Open or closed hood for grilling

Cooking with the lid open or closed is a matter of personal preference. Cooking with the lid closed is recommended if you enjoy cooking at maximum “searing” temperatures. This method will also produce more “flare up”, speed the cooking procedure and will give you a more robust, smoky, outdoor flavor. If you prefer cooking slower with less flare up, we suggest the lid-open method.

OPERATING INSTRUCTIONS

We recommend always cooking with the lid CLOSED if you are in a windy area or colder climate. Your 3218LTN Grill has been designed and constructed to give you maximum flexibility and cooking performance. Be creative. Try different cooking methods on your grill to determine which suits your needs best. There is no right or wrong way to cook, just different cooking styles. Get creative and enjoy!

WARNING: Please remember this is an outdoor gas grill. Many areas of the grill generate extreme heat. We have taken every precaution to protect you from the contact areas. However, it is impossible to isolate all high-temperature areas. Therefore, use good judgment and a certain degree of caution when grilling on this product. We suggest a covered, protected hand during operation of grill. Do not move your grill when it is in operation or hot to the touch. Wait until your unit is turned off and properly cooled down before moving it. Failure to follow this warning could result in personal injury.

Post Heating

To keep the grates free of charred food remains, run the grill on “HIGH” for 15 minutes after cooking is complete and food has been removed.

CAUTION: Do not cover the grill during the post heating period.

After post heating your grill, turn the control knobs to the “OFF” position.

Propane Tank Shut-Off

After the burner box cools down, the propane tank valve should also be closed. If you do not want to wait for the burner box to cool, use a covered hand to turn off the propane tank valve.

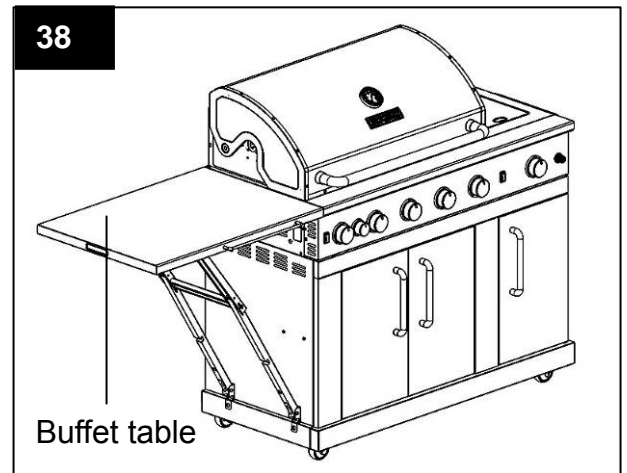
WARNING: Do not attempt to turn off the LP tank valve without first covering your hand with a protective mitt or allowing the grill to cool down. Failure to follow this warning could result in a severe burn.

OPERATING INSTRUCTIONS

FOLD OUT BUFFET TABLE INSTRUCTION

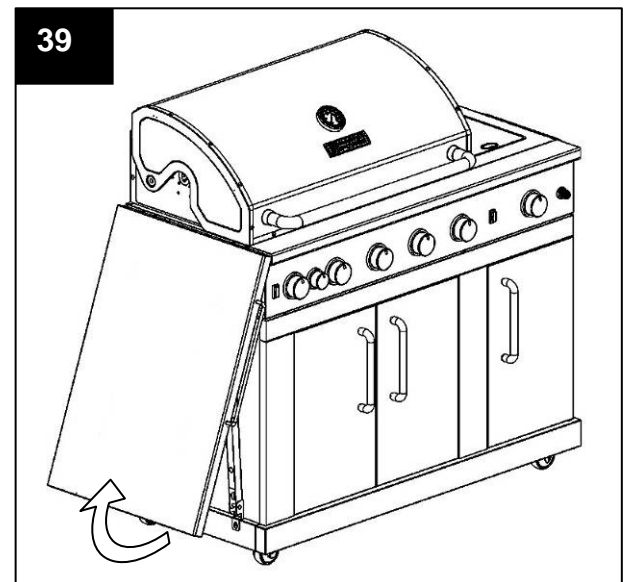
The grill has a patented fold out buffet table which can be retracted when not in use.

(Fig. 38)

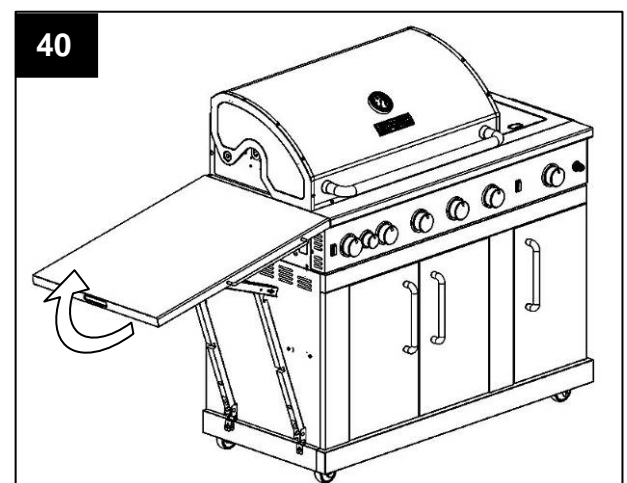


To fold out the buffet table, follow the steps below:

1. Pull the bottom of the table and bring it out. (Fig. 39)

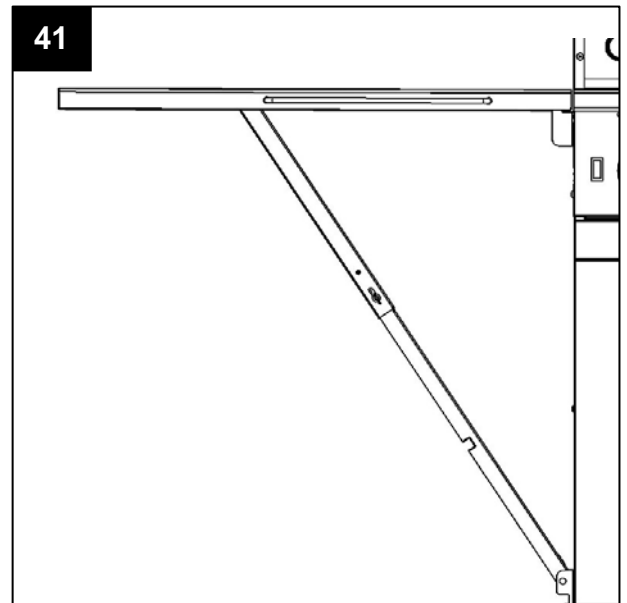


2. Hold the table top while lifting up the table. During this process, pay attention to hold the table top to prevent it from dropping down. (Fig. 40)



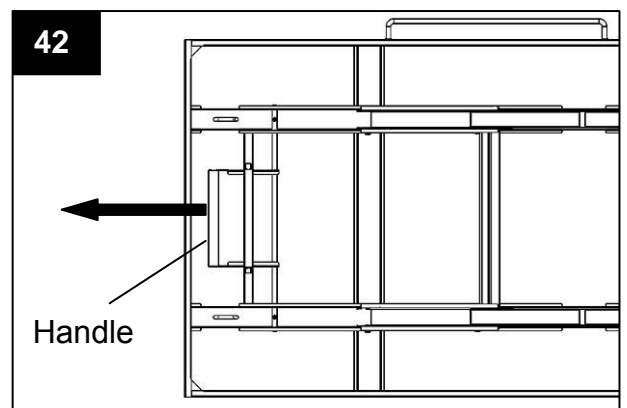
OPERATING INSTRUCTIONS

3. The table will be locked where the table supports are nearly in line. You can hear a sound click when they are fixed. (Fig. 41)



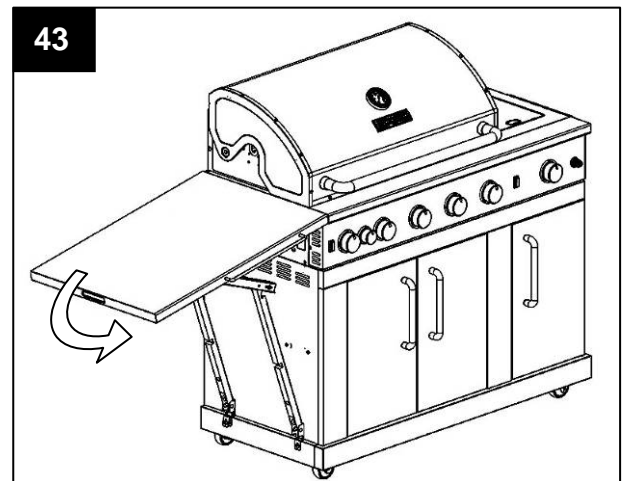
To fold down the buffet table, follow the steps below:

4. Pull the handle under the table. (Fig. 42)

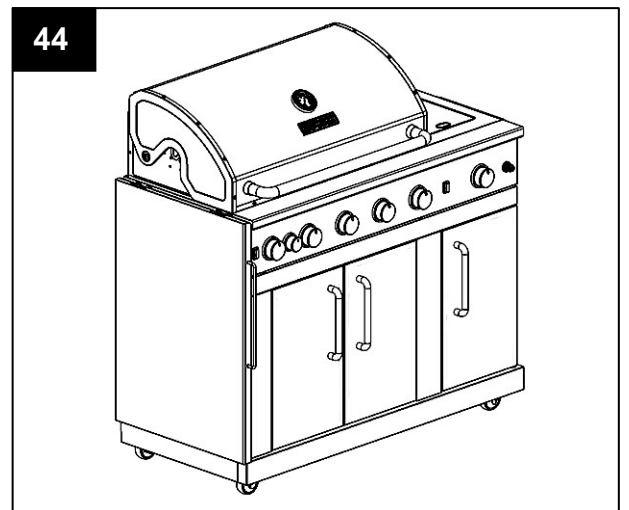


OPERATING INSTRUCTIONS

5. Hold the table and bring it down slowly.
(Fig. 43)



6. Push the table to the vertical position. (Fig. 44)



CARE AND MAINTENANCE

Transformer Connection Instruction

For your safety the 3218LTN grill comes equipped with a UL approved transformer for outdoor use that provides low voltage to power a 10-watt grill light featured with this model.

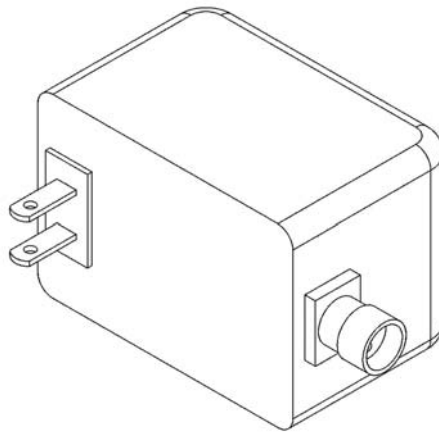


Fig. 45

All wiring is factory connected except the easy connection you must make: connect the factory wire to the transformer with a provided screw-on plastic connector.

Pull the factory wire through the opening in the rear panel, push the wire into the transformer connector firmly, screw the connector in place and plug the transformer in any household outlet. (See Fig. 46)

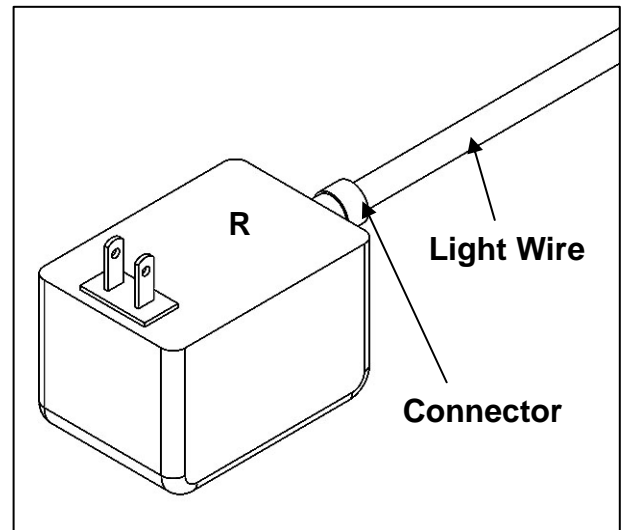
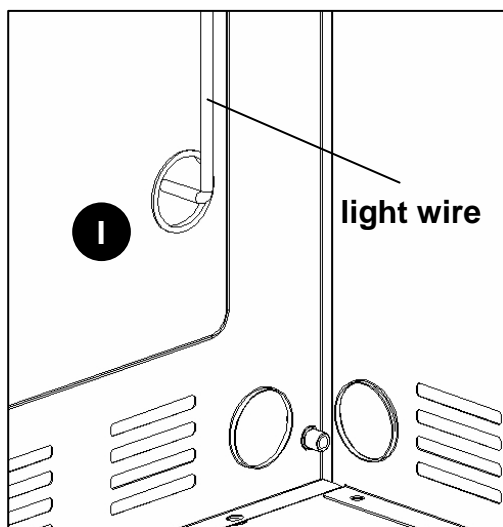
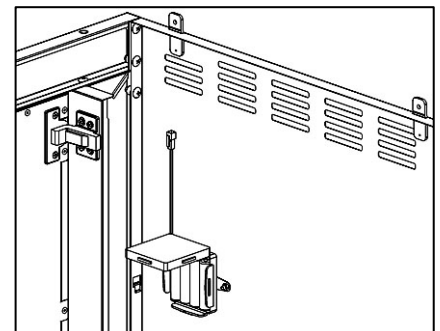


Fig. 46

Replacing Battery for LED Panel Light

1. Open the LED Battery Box on the left panel in the cabinet.
2. Open the Battery Box and replace the battery.
3. When installing new batteries, ensure they are installed with the proper polarity.
4. Close the cover of the Battery Box.



CARE AND MAINTENANCE

Light Operation Instruction

1. Make sure light's power switch on the control panel is in the "OFF" position.
2. Connect power plug to properly grounded outlet.
3. Turn the light's power switch to "ON".

WARNING

Keep any electrical supply cord away from any heated surface.

Do not turn on the lights when the hood is closed.

Bulb Replacement

INSTRUCTIONS PERTAINING TO A RISK OF FIRE, ELECTRIC SHOCK, EXPOSURE TO EXCESSIVE UV RADIATION, OR INJURY TO PERSONS

IMPORTANT SAFETY INSTRUCTIONS

Lighted lamp is HOT:

WARNING -TO REDUCE THE RISK OF FIRE, ELECTRIC SHOCK, EXPOSURE TO EXCESSIVE UV RADIATION, OR INJURY TO PERSONS:

1. Turn off/unplug and allow to cool before replacing bulb (lamp).
2. Bulb (lamp) gets HOT quickly! Only contact switch/plug when turning on.
3. Do not touch hot lens, guard, or enclosure. (+)
4. Do not remain in light if skin feels warm.
5. Do not look directly at lighted lamp.
6. Keep lamp away from materials that may burn.
7. Use only with a 10-watt or smaller bulb (lamp).
8. Do not touch the bulb (lamp) at any time. Use a soft cloth. Oil from skin may damage bulb (lamp).
9. Do not operate the portable luminaries with a missing or damaged guard, lamp containment barrier, or UV filter. (+)

Remarks:

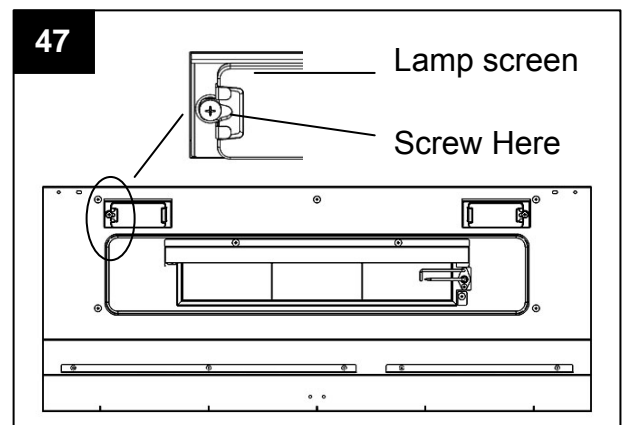
(+) Guard – Guard is a portion of portable luminaries unit that prevents inadvertent contact with the bulb. It may be integral with the UV filter or lamp containment barrier or as part of enclosure or shade.

(+) Lamp containment barrier – lamp containment barrier is a portion of a portable luminaries unit that encloses the bulb.

(+) UV filter – UV filter is a portion of a portable luminaries unit that limits ultraviolet (UV) emissions.

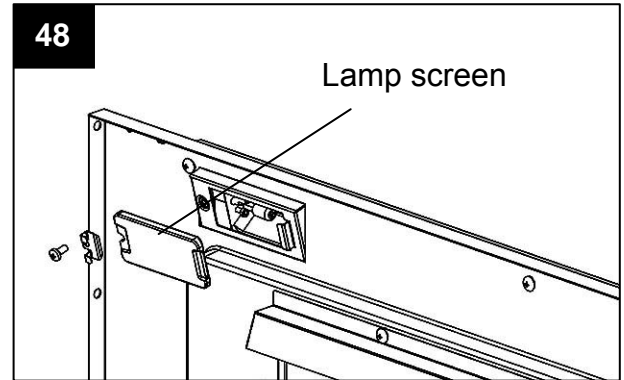
1. Make sure the light's power switch on the control panel is in the "OFF" position and power plug is disconnected from outlet.

2. Use a screwdriver to loosen the screw which is securing the burner box rear panel. **During this process, hold the lamp screen; otherwise, it will fall and break, potentially causing bodily harm.** (Fig. 47)

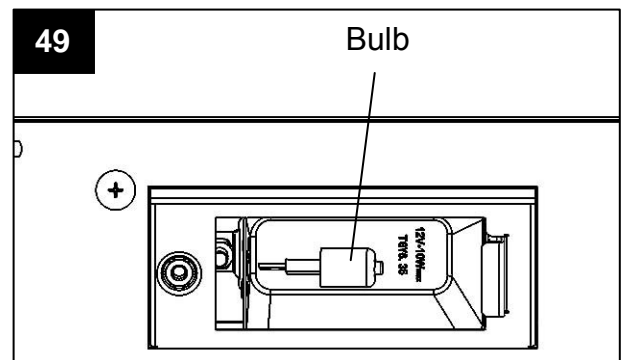


CARE AND MAINTENANCE

3. Remove the lamp screen. (Fig. 48)



4. Pull out the light bulb and replace with a new bulb. (Fig. 49)



5. Reverse the instruction from “steps” 4-1 for installation.

Cleaning Method

Follow Steps 1-3 above for glass cover removal. Use a damp towel to clean the surface of glass cover. Make sure the glass cover is completely dry before re-installing.

WARNING

Make sure the light switch is on “OFF” position and power plug is disconnected from power outlet prior to cleaning the glass cover.

WARNING

The light glass cover should not be in contact with water or any other liquid when it's warm. Sudden change of temperature may cause cracks on glass cover.

WARNING

To ensure continued protection against electric shock:

1. Connect to properly grounded outlets only.
2. Do not expose to rain.
3. Keep extension cord connections dry and off the ground.

CARE AND MAINTENANCE

Bulb specification

Bulb Type: Halogen

Wattage: 10 watts per bulb

Voltage: 12 volts

Please contact customer service at **1-800-963-0211** for assistance on bulb replacement information.

Checking the Flame

Refer to Fig. 50 below (side view of grill). Check the flame after the grill is lit. Make sure you have a stable mostly blue flame.

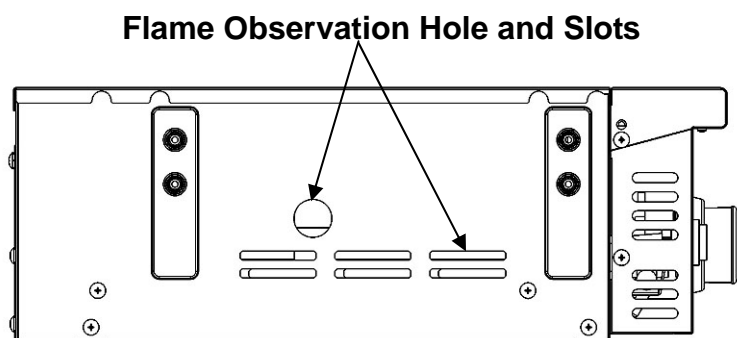


Fig. 50

Air Shutter Adjustment

The main burner shutters are adjusted at the factory for your convenience. The settings are:

- (1) Full open for LP gas.
- (2) Half open for NG gas.

If you desire to fine tune your shutter adjustment (or if your flame is more yellow rather than blue), please follow this procedure.

WARNING: Do not touch burner after adjustments. The burner is hot.

- a. Loosen the air shutter. The shutters are located on the end of the gas burners underneath the control box. See Fig. 51
- b. Loosen the air shutter screw.
- c. Light the burner to be adjusted.
- d. With a protected gloved hand, fine tune the air shutter until a stable, mostly blue flame is observed through the flame observation hole and slots on each side of the burner box. Acceptable flames are shown in Fig. 52
- e. Tighten the air shutter locking screw enough to hold the shutter in place.
- f. Repeat procedure on other burners.

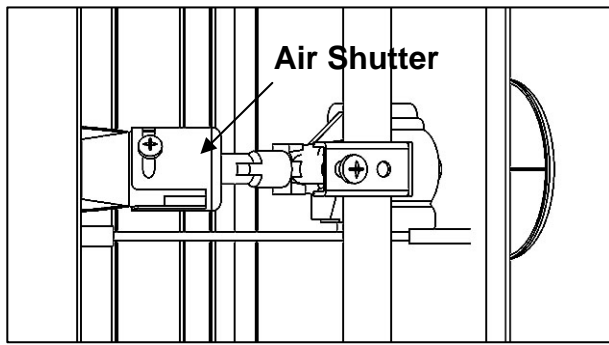


Fig. 51 Air Shutter

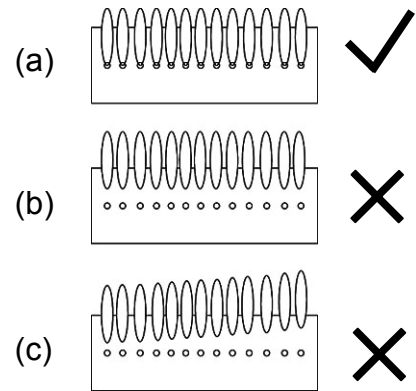


Fig. 52 Acceptable Flame (only a)

CAUTION: If the natural gas conversion kit is used, remember to adjust the air shutter of main burner (for details, please read the manual of NG conversion).

Replacing the Battery

1. Unscrew the cap on the battery compartment and remove the old battery.
2. Replace with a new battery and re-install the cap.

Note: The negative (-) side of the battery goes in first. Please refer to the mark on the side of the cap.

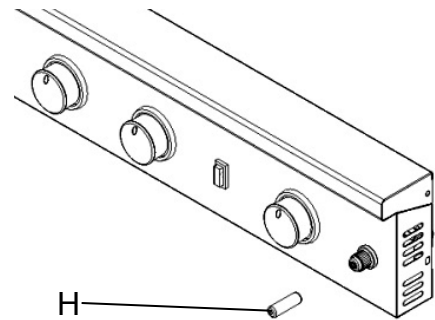


Fig. 53

Stainless Steel

3218LTN Stainless Gas Grill is mainly made of stainless steel. Stainless steel is non-rusting in certain conditions; therefore, a cover and stainless steel cleaner should be used when the grill is not in use.

Wipe with a stainless steel cleaner on all non-cooking surfaces once a month.

Never clean the stainless steel when it is hot.

After initial grilling, certain areas of the grill (i.e., the vents, hood and burner box) may discolor. This is a normal discoloration caused by the intense heat from the burners.

Specks of grease can gather on the surface of the stainless steel and get baked on. These can usually be removed with warm soapy water or a stainless steel cleaner. As a last resort a mild abrasive pad could be used with a stainless cleaner. Use light pressure on the pad and always scrub in the direction of the grain.

Do not use steel wool to clean the grill.

CARE AND MAINTENANCE

Do not use abrasive cleaners on the polished surface. Use caution when cleaning. Metal polish or a mild chrome cleaner can be used to bring back luster and highlights. Rust remover can be used to remove rust stains that occur from outside sources. Follow the rust removal instructions carefully.

To touch up minor scratches in the stainless steel, sand the affected surface lightly with 160 dry grit emery sand paper in the direction of the grain.

Burners

Burners are made of stainless steel and can be soaked in water and cleaned with a brass wire brush or a stiff bristle brush. Check every port hole for clogs. Use a wire pin (smaller than the port) to clean clogged ports. Do not enlarge any ports. Make sure the burners are dry before installing them back to the grill. See Fig. 54



Fig. 54

Air Shutter

Spiders and insects can nest inside the burners of this or any other grill and cause the gas to flow from the front of the burner. This could cause a fire to occur behind the valve panel, thereby damaging the grill and making it unsafe to operate. Inspect the burners at least once a year or immediately after any of the following conditions occur:

1. The smell of gas in conjunction with the burner flames appearing yellow.
2. The grill does not reach temperature.
3. The grill heats unevenly.
4. The burners make popping noises.

Drip Tray

The drip tray collects excessive grease runoff and fallen food particles.

Allow the tray and its contents to cool before cleaning. Slide the tray out and wipe it clean. Make sure the tray is installed before using the grill.

It is highly recommended that you check the tray regularly to avoid any possibility of a grease fire, however, most of the drippings will vaporize back into the cooked item giving you an outdoor grilled flavor.

CARE AND MAINTENANCE

Helpful Care and Maintenance Hints

Before grilling, pre-heat grill for 15 minutes on "HIGH" with hood down. To avoid uncontrolled flare-ups or grease fires, grill meats with hood open. Close hood if meats are thick or weather is cold, or if you are using a rotisserie or indirect cooking.

For the side sear burner, do not use ANYTIME with lid in the down position.

Always protect your hand with a pot holder or cooking glove when coming into contact with a hot surface.

Hood up when grilling meats, especially chicken. Hood down when indirect or rotisserie cooking.

NEVER leave your grill unattended while cooking.

After use, close hood, turn burners to HIGH for 15 min. for self-cleaning, grease burn off.

Care and Maintenance Time Table Chart

Grill Item	Frequency Based on Normal Use	Cleaning Method
Painted surface	Twice yearly	Car wax
Stainless surface	Twice yearly	Stainless cleaner
All grates	After each use	Burn off and wipe
Stainless grates	15 days	Wire brush/Dishwasher safe
Porcelain grates	15 days	Scrub pad soapy water /Dishwasher safe
Burner heat tents	30 days	Wire brush
Burners	90 days	Wire brush
Burner box interior	120 days	Interior grill cleaning products

Gauging amount of LPG fuel

To gauge the amount of propane fuel in your gas tank the grill must be in operation. Place your hand at the top of the tank and slowly move down the side until the tank feels cool to the touch. This will indicate the approximate amount of propane gas in your tank; if 3/4 empty, refill.

Do not use charcoal briquettes or any flammable material with your grill. Use of such material will void your warranty and may lead to a fire, explosion and/or bodily harm.

CARE AND MAINTENANCE


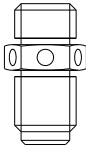
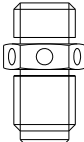
WARNING:

1. To protect against electric shock, do not immerse cord or plugs in water or other liquid;
2. Unplug from the outlet when not in use and before cleaning. Allow to cool before putting on or taking off parts;
3. Do not operate any outdoor cooking gas appliance with a damaged cord, plug, or after the appliance malfunctions or has been damaged in any manner. Contact the manufacturer for repair;
4. Do not let the cord hang over the edge of a table or touch hot surfaces;
5. Do not use an outdoor cooking gas appliance for purposes other than intended;
6. When connecting, first connect plug to the outdoor cooking gas appliance then plug appliance into the outlet;
7. Use only a Ground Fault Interrupter (GFI) protected circuit with this outdoor cooking gas appliance;
8. Never remove the grounding plug or use with an adaptor of 2 prongs;
9. Use only extension cords with a 3 prong grounding plug, rated for the power of the equipment, and approved for outdoor use with a W-A marking.

Natural Gas Conversion

Should you decide to convert your gas grill item #0006554 Model 3218LTN from liquid propane gas to natural gas, use NG Conversion Kit item #0050772.

The #0050772 kit contains orifices for various grill models. Please select the orifices as listed below and discard the rest. Follow the conversion instruction provided with the kit.

Model	Item number	Main burner Φ1.37	Sear burner Φ1.37	Rotisserie burner Φ1.40
				
3218LTN	0006554	5	1	1

CAUTION:

If low flames or burner problems are witnessed after converting from LPG to NG, the natural gas lines may not be large enough. Refer to the "From House to Grill" chart on page 27 for natural gas supply line specifications. Please contact a plumber to assure proper pressure at 7 in. water column.

TROUBLESHOOTING

Problem	Possible Cause	Corrective Action
Grill or side cooker will not light.	<ol style="list-style-type: none"> 1. The ignition wire came off the electrical igniter. 2. The distance between the ignition pin and the burner is greater than 0.1-0.2 inch (side burner). 3. The ignition wire is broken. 4. The battery has died. 5. The battery is in the wrong polarity. 6. The electrode tip does not produce sparks at the burner port. 7. No gas supplied. 8. Air shutter opening is too big. 	<ol style="list-style-type: none"> 1. Reconnect the ignition wire to the electrical igniter. 2. Loosen the ignition pin and adjust the distance, then fasten it again. 3. Call customer service for a replacement ignition wire. 4. Install a new AA battery. 5. Change the battery polarity. 6. Reinstall the electrode. 7. Turn on the regulator valve. 8. Loosen the air shutter and adjust the opening to a smaller size.
Burner flame is yellow and gas odor can be smelled.	<ol style="list-style-type: none"> 1. The air shutter opening is not properly set. 2. Spiders or insects block the air shutter. 3. Gas leaks. 	<ol style="list-style-type: none"> 1. Loosen the air shutter and adjust the opening to have blue flames. 1/4 in. opening for LPG. 1/8 in. or less opening for NG. 2. Clean blockages. 3. Check for the source of gas leaks.
Excessive flare-up.	<ol style="list-style-type: none"> 1. Grilling fatty meats while knobs on "HIGH". 2. Spray water on gas flames. 3. Hood closed when grilling. 	<ol style="list-style-type: none"> 1. Grill fatty meats when the grids are cold while the knobs are on the "LOW" setting. Move the meats to the warming rack if flare up continues until flame settles down. 2. Never spray water on gas flames. 3. Hood up when grilling.
Burner blows out.	<ol style="list-style-type: none"> 1. LP tank is empty. 2. Burner is not aligned with the control valve. 3. Gas supply is not sufficient. 	<ol style="list-style-type: none"> 1. Refill the LP tank. 2. Install the burner correctly. 3. Check the gas supply hose and make sure there are no leaks and no knots.

TROUBLESHOOTING

Problem	Possible Cause	Corrective Action										
<p>Low heat, natural gas.</p>	<p>Gas pressure is significantly affected by gas line and length of gas line from house gas line.</p>	<p>Check your gas line and make corrections by following the chart below.</p> <table border="1" data-bbox="912 421 1420 757"> <thead> <tr> <th colspan="2" data-bbox="912 421 1420 495">From House to Grill</th> </tr> <tr> <th data-bbox="912 495 1098 551">Distance</th> <th data-bbox="1098 495 1420 551">Tubing Size</th> </tr> </thead> <tbody> <tr> <td data-bbox="912 551 1098 607">Up to 25 ft.</td> <td data-bbox="1098 551 1420 607">3/8 in. diameter</td> </tr> <tr> <td data-bbox="912 607 1098 663">26 -50 ft.</td> <td data-bbox="1098 607 1420 663">1/2 in. diameter</td> </tr> <tr> <td data-bbox="912 663 1098 757">51 -100 ft.</td> <td data-bbox="1098 663 1420 757">1/3 in. of run 1/2 in. 2/3 in. of run 3/4 in.</td> </tr> </tbody> </table>	From House to Grill		Distance	Tubing Size	Up to 25 ft.	3/8 in. diameter	26 -50 ft.	1/2 in. diameter	51 -100 ft.	1/3 in. of run 1/2 in. 2/3 in. of run 3/4 in.
From House to Grill												
Distance	Tubing Size											
Up to 25 ft.	3/8 in. diameter											
26 -50 ft.	1/2 in. diameter											
51 -100 ft.	1/3 in. of run 1/2 in. 2/3 in. of run 3/4 in.											
<p>Low heat, LP gas.</p>	<p>The propane regulator assembly incorporates an excess flow device designed to supply the grill with sufficient gas flow. Rapid changes in pressure can trigger the excess flow device, providing a low flame and low temperature.</p>	<p>Please follow these instructions:</p> <ol style="list-style-type: none"> 1. Make sure all burners are "OFF". 2. Open the tank valve and wait 5 minutes. 3. Light the burner one at a time following the lighting instructions listed on the door liner. 										
<p>Low heat generated with knob in "HIGH" position.</p>	<ol style="list-style-type: none"> 1. Low heat is found in natural gas models. 2. Ports are blocked. 3. LP tank has run out. 	<ol style="list-style-type: none"> 1. This model is set for 7 in. natural gas usage. Please check your natural gas supply system to have correct gas pressure. Regulator is not needed for NG model. Check the orifice if you installed NG nozzles. 2. Clear ports of any obstructions. 3. Refill the LP tank. 										

TROUBLESHOOTING

<p>Sudden drop in gas flow or low flame.</p>	<ol style="list-style-type: none"> 1. Out of gas. 2. Excess flow valve tripped. 3. Vapor lock at coupling nut/LP cylinder connection. 	<ol style="list-style-type: none"> 1. Check for gas in LP cylinder. 2. Turn off knobs, wait 30 seconds and light grill. If flames are still low, turn off knobs and LP cylinder valve. Disconnect regulator. Reconnect regulator and leak test. Turn on LP cylinder valve, wait 30 seconds and then light grill. 3. Turn off knobs and LP cylinder valve. Disconnect coupling nut from cylinder. Reconnect and retry.
<p>Cooking light will not turn on.</p>	<ol style="list-style-type: none"> 1. No power supply. 2. Defective Halogen bulb. 3. Internal wiring issue. 	<ol style="list-style-type: none"> 1. Check power supply and make sure transformer is properly plugged in. 2. Replace the bulb. 3. Check the wiring connections under the fire box. All wire connections must be tight. If any wires are damaged they should be replaced.
<p>LED control panel lights do not light up.</p>	<ol style="list-style-type: none"> 1. No power supply. 2. Damaged wiring or loose connection. 3. Wiring not attached to control panel switch. 4. Defective switch. 5. Defective LED's. 	<ol style="list-style-type: none"> 1. Install AA batteries in the LED battery box. 2. Check all wiring connections between the battery box and the LED light. Also check the connections between the LED's on the control panel. 3. Check the connection between the LED light and the LED light switch. 4. Replace the switch. 5. Replace the LED lights.

WARRANTY

Proof of purchase is required to access this warranty program, which is in effect from the date of purchase. Customers will be subject to parts, shipping, and handling fees if unable to provide proof of purchase or after the warranty has expired.

Before returning to your retailer, call our customer service department at 1-800-963-0211, 8:00 a.m. to 6:00 p.m., EST, Monday-Thursday, 8:00 a.m. to 5:00 p.m., EST, Friday.

Limited Warranty

5-Year Warranty on stainless steel burners.

1-Year Warranty on all parts affecting the operation of the gas grill due to damage.

Warranty Provisions:

This warranty is non-transferable and does not cover failures due to misuse or improper installation or maintenance.

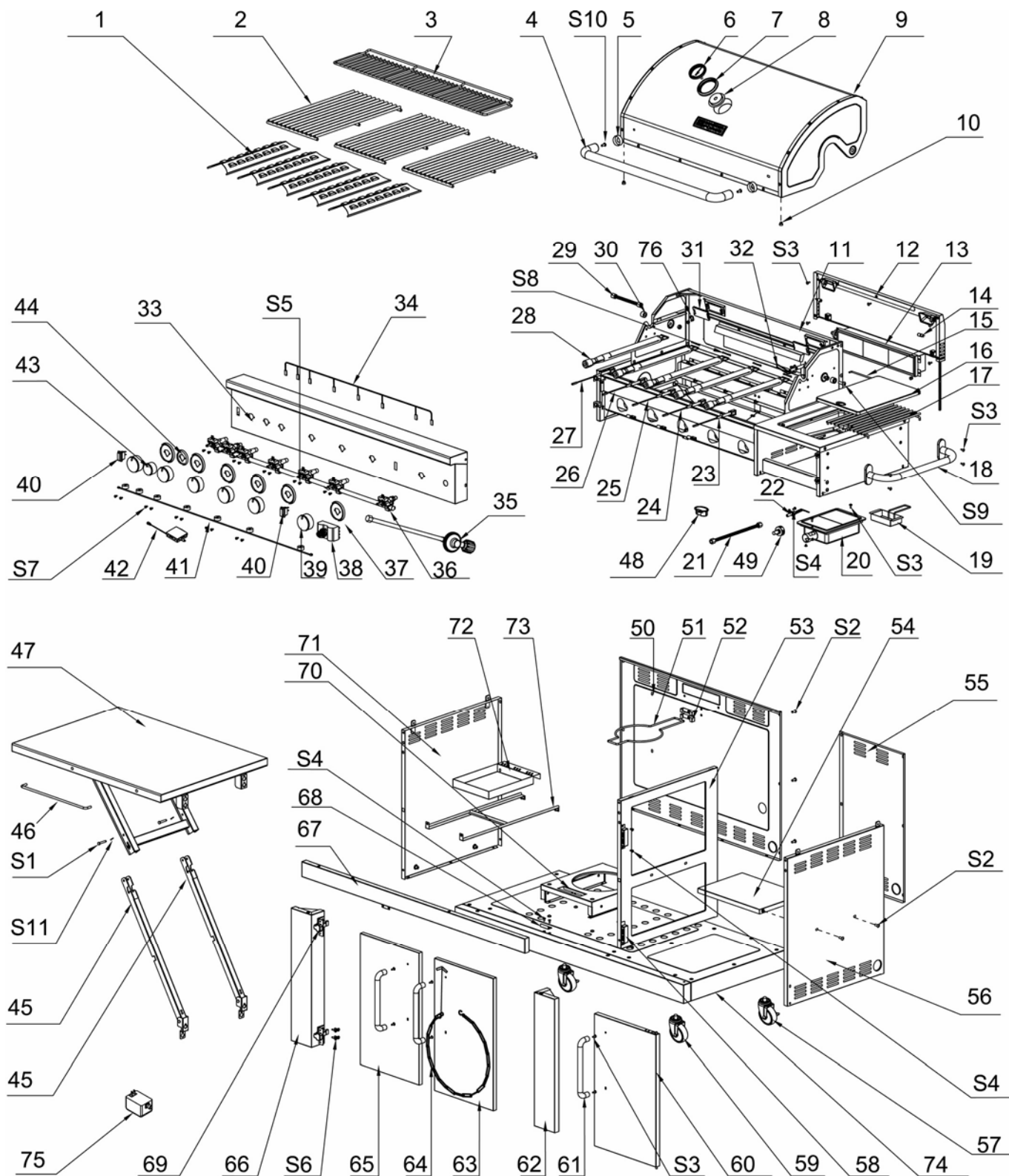
This warranty is for replacement of defective parts only. We are not responsible for incidental or consequential damages or labor costs.

This warranty does not cover corrosion or discoloration after the grill is used, or lack of maintenance, hostile environment, accidents, alterations, abuse or neglect.

This warranty does not cover damage caused by heat, abrasive and chemical cleaners, or any damage to other components used in the installation or operation of the gas grill.

Some states do not allow the limitation or exclusion of incidental or consequential damages, so the above limitations or exclusions may not apply to you. This warranty gives you specific legal rights, and you may also have other rights that vary from state to state.

REPLACEMENT PARTS LIST



For replacement parts, call our customer service department at 1-800-963-0211, 8:00 a.m. to 6:00 p.m., EST, Monday- Thursday, 8:00 a.m. to 5:00 p.m., EST, Friday.

REPLACEMENT PARTS LIST

Part	Description	Part #	Part	Description	Part #
1	HEAT TENT	L3218-00-2001	39	MAIN BURNER KNOB	E3518-00-3001
2	COOKING GRID	3218LT-00-2010	40	SWITCH	E3520-00-8015
3	WARMING RACK	L3218-00-2020	41	PANEL LIGHT WIRE	3218LT-00-8013
4	HOOD HANDLE	3218LT-00-4300	42	BATTERY BOX	3218LT-00-8014
5	HOOD HANDLE BASE	3218LT-00-4005	43	REAR BURNER KNOB	L3218-00-3001
6	TEMPERATURE GAUGE	2518-3-8012	44	REAR BURNER KNOB BEZEL	L3218-00-3002
7	TEMPERATURE GAUGE BEZEL	2518-3-6005	45	TABLE SUPPORT	3218LTN-00-5200
8	TEMPERATURE GAUGE SLEEVE	3218LT-00-4009	46	TOWEL HANGER	3218LT-00-5104
9	HOOD	3218LTN-00-4100	47	BUFFET TABLE	3218LTN-00-5000
10	RUBBER PLUG	3219B-8082	48	COVER HANDLE	3218LT-00-2804
11	BURNER BOX	3218LTN-00-2000	49	SIDE BURNER ORIFICE	P3018-00-8008-A
12	REAR BURNER HOOD	L3218-00-2420	50	LEFT REAR PANEL	L3218-00-1201
13	REAR BURNER	L3218-00-8009	51	PATENTED SAFETY TANK RING	P3018-00-1203
14	BULB	L3218-00-8021	52	TANK RING BRACKET	E3518-00-1202
15	SEAR BURNER SHAFT	3218LTN-00-2802	53	CENTER PANEL	3218LTN-00-1321
16	SEAR BURNER COVER	3218LT-00-2802	54	SHELF BOARD	3218LTN-00-1340
17	SEAR BURNER GRID	3218LT-00-2840	55	RIGHT REAR PANEL	3218LT-00-1220
18	GRILL HANDLE	3218LT-00-2250	56	RIGHT PANEL	3218LTN-00-1310
19	SEAR BURNER DRIP TRAY	P3018-00-6010	57	LOCKING CASTER	3218LTN-00-8013
20	SEAR BURNER	P3018-00-8008	58	MAGNET	L3018S-00-1310
21	SEAR BURNER HOSE	3218LT-00-8012	59	CASTER	3218LTN-00-8012
22	IGNITION PIN (SEAR BURNER)	3218LT-00-8002	60	RIGHT DOOR	3218LTN-00-1800
23	IGNITION PIN (MAIN BURNER)	P3018-00-8004	61	DOOR HANDLE	L3018S-00-1410
24	IGNITION PIN (MAIN BURNER)	P3018-00-8005	62	RIGHT SKIRT	3218LTN-00-1020
25	IGNITION PIN (MAIN BURNER)	P3018-00-8006	63	CENTER DOOR	3218LTN-00-1600
26	IGNITION PIN (MAIN BURNER)	L3218-00-8007	64	MATCH HOLDER	3019L-1710
27	IGNITION PIN (MAIN BURNER)	3218LT-00-8003	65	LEFT DOOR	3218LTN-00-1400
28	MAIN BURNER	SH3118B-2004	66	LEFT SKIRT	3218LTN-00-1010
29	REAR BURNER HOSE	P3018-00-8015	67	MAIN BEAM	3218LTN-00-1500
30	HOOD BUSHING	E3518-00-0001	68	DOOR STOPPER	L3218-00-1112
31	LAMP GLASS	E3520-00-8017	69	DOOR HINGE	P3018-00-8009
32	IGNITION PIN (REAR BURNER)	3218LT-00-8008	70	TANK SUPPORT	L3218-00-1120
33	CONTROL BOX	3218LTN-00-3101	71	LEFT PANEL	3218LTN-00-1700
34	IGNITION WIRE (MAIN BURNER)	3218LT-00-8001	72	MAIN BURNER DRIP TRAY	P3018-00-1002
35	LPG REGULATOR	L3218-00-8006	73	DRIP TRAY SUPPORT	P3018-00-1900
36	MANIFOLD	3218LT-00-3200	74	BOTTOM PANEL	3218LTN-00-1100
37	MAIN BURNER KNOB BEZEL	E3518-00-3002	75	TRANSFORMER	E3520-00-8016
38	ELECTRICAL IGNITOR	L3218-00-8002	76	LAMP SCREEN CLIP	E3520-00-2442



REPLACEMENT PARTS LIST

Part	Description	Part #	Part	Description	Part #
S1	PIN SHAFT	GB 882 6×35	S7	SELF-TAPPING SCREW	ST3.5×9.5
S2	SCREW	1/4-20 × 5/8"	S8	R PIN	R PIN
S3	SCREW	3/16-24 x 1/2"	S9	SCREW AND NUT	5/16-18UNC x 1"
S4	SCREW	5/32-32 x 3/8"	S10	SCREW	1/4-20 × 7/8"
S5	SCREW	M4 × 8	S11	PIN	GB/T 91 1.6×10
S6	FLAT HEAD SCREW	5/32-32 x 1/2"			

Printed in China

Master Forge & M Design® is a registered trademark of LF, LLC. All rights reserved.



ARTÍCULO #0006554
**PARRILLA A GAS DE
 5 QUEMADORES**
 MODEL #3218LTN

Master Forge & M Design® es una marca registrada de LF, LLC. Todos los derechos reservados.



ADVERTENCIA

La instalación, ajuste, alteración, reparación o mantenimiento inadecuados pueden ocasionar lesiones o daños a la propiedad. Lea detenidamente este manual de instrucciones antes de instalar o reparar este equipo.



ADVERTENCIA

1. No almacene ni utilice gasolina u otros vapores o líquidos inflamables cerca de éste u otro electrodoméstico.
2. No se deben almacenar tanques de PL que no estén conectados y en uso cerca de éste u otro electrodoméstico.



PELIGRO

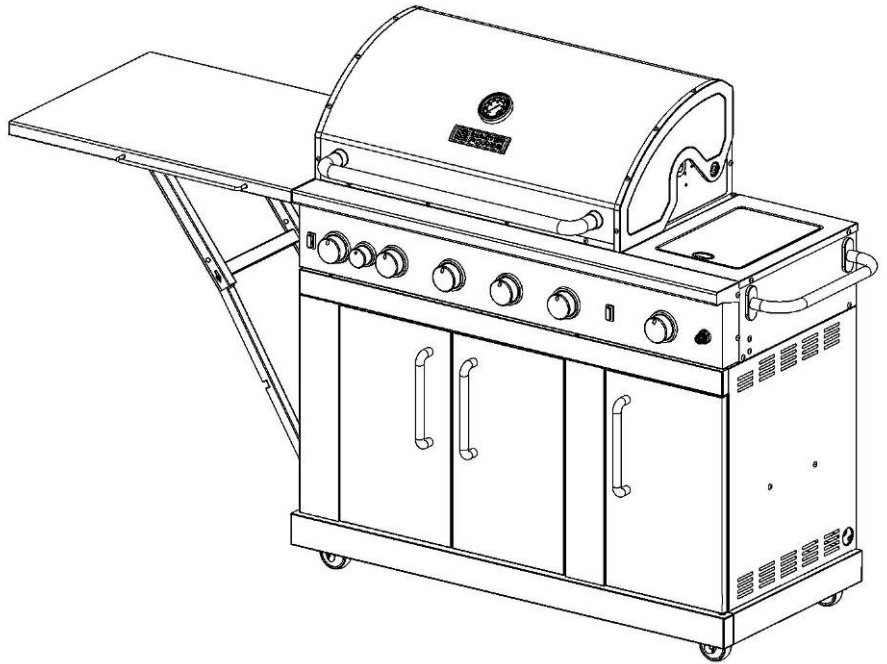
Si percibe olor a gas:

1. Cierre el suministro de gas hacia el electrodoméstico.
2. Apague cualquier llama directa.
3. Abra la tapa.
4. Si el olor persiste, manténgase alejado del electrodoméstico y llame de inmediato a su proveedor de gas o al departamento de bomberos.



ADVERTENCIA

Sólo para uso en exteriores



ADJUNTE SU RECIBO AQUÍ

Número de serie _____ Fecha de compra _____



Preguntas, problemas, piezas faltantes? Antes de volver a la tienda, llame a nuestro Departamento de Servicio al Cliente al 1-800-963-0211, de lunes a jueves de 8:00 a.m. a 6:00 p.m., y los viernes de 8:00 a.m. a 5:00 p.m., hora estándar del Este.

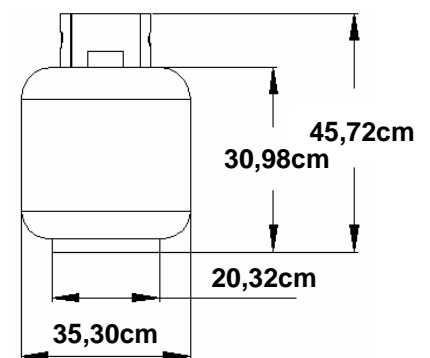
TABLA DE CONTENIDO

Información de seguridad	55
Consejos de seguridad	57
Contenido del paquete	68
Aditamentos	60
Preparación	60
Instrucciones de ensamblaje	61
Cocinar con gas	76
Instrucciones de funcionamiento	83
Limpieza y mantenimiento	90
Solución de problemas	98
Garantía	101
Lista de piezas de repuesto	102

⚠ INFORMACIÓN DE SEGURIDAD

Lea y comprenda completamente este manual antes de intentar ensamblar, usar o instalar el producto. Si tiene preguntas relacionadas con el producto, llame a nuestro Departamento de Servicio al Cliente al 1-800-963-0211, de lunes a jueves de 8:00 a.m. a 6:00 p.m., y los viernes de 8:00 a.m. a 5:00 p.m., hora estándar del Este.

- 1 La instalación de este electrodoméstico debe cumplir con los códigos locales o, en su defecto, con el Código nacional de gas combustible, ANSI Z223.1/NFPA 54, o el Código de instalación de gas propano y gas natural, CSA/CGA-B149.1.
- 2 Esta parrilla está diseñada sólo para uso en exteriores y no se debe usar en edificios, garajes u otras áreas cerradas o cubiertas.
- 3 Esta parrilla para exteriores no está diseñada para instalarse en vehículos de recreación y/o botes.
- 4 Se debe mantener una distancia mínima de 91,44 cm desde los lados de la parrilla hasta las construcciones combustibles, y de 91,44 cm desde la parte posterior de la parrilla hasta las construcciones combustibles. Este electrodoméstico para cocinar a gas para exteriores no debe colocarse debajo de una construcción de material combustible.
- 5 El uso de una fuente de energía eléctrica requiere que, una vez instalada, la parrilla posea una conexión a tierra que cumpla con los códigos locales o, en su defecto, con el código ANSI/NFPA 70 o el Código de electricidad de Canadá, CSA C22.1. Mantenga los cables de suministro de electricidad y la manguera de suministro de combustible alejados de superficies calientes.
- 6 Inspeccione las mangueras antes de cada uso para verificar que no haya abrasión o desgaste excesivos, o cortes que puedan afectar el funcionamiento seguro de la parrilla. Si hay evidencia de abrasión o desgaste excesivos, o la manguera está cortada, ésta deberá ser reemplazada antes de poner la parrilla en funcionamiento. El ensamble de la manguera de repuesto debe ser el especificado por el fabricante.
- 7 Mantenga la parrilla en una zona libre de materiales combustibles, gasolina, y otros vapores y líquidos inflamables.
- 8 NO obstruya el flujo de aire de combustión y ventilación hacia el electrodoméstico.
- 9 Mantenga las aberturas de ventilación del compartimento del tanque despejadas y limpias.
- 10 Compruebe que no haya fugas en las conexiones de gas con una solución de agua jabonosa y un cepillo. Nunca utilice una llama directa para detectar fugas.
- 11 Nunca utilice carbón en la parrilla.
- 12 Nunca utilice la parrilla en áreas ventosas.
- 13 Nunca utilice la parrilla si no tiene la bandeja de goteo instalada y colocada completamente contra la parte posterior de la parrilla. Sin la bandeja de goteo, la grasa caliente y la suciedad podrían gotear y ocasionar riesgo de incendio.
- 14 El regulador de presión de la parrilla a gas PL está configurado en 279,4 mm de columna de agua (mm c.a.). Las parrillas a gas natural presentan un ensamble de manguera que tiene un dispositivo de desconexión rápida. Pero no presentan un regulador de presión. Se debe usar el regulador de presión de gas PL o el ensamble de la manguera de gas natural. Los reguladores de presión y los ensambles de la manguera de repuesto deben ser los especificados en la lista de piezas.
- 15 Sólo se puede usar un cilindro de gas PL de 9,07 kg. El cilindro debe estar fabricado y marcado según las Especificaciones para cilindros de gas PL del Departamento de Transporte de EE.UU. (DOT, por sus siglas en inglés), o la Ley nacional de Canadá CAN/CSA-B339, cilindros, esferas y tubos para el transporte de mercancías peligrosas, y la Comisión. Las dimensiones del cilindro de gas PL de 9,07 kg son:



! INFORMACIÓN DE SEGURIDAD

- 16 El cilindro usado debe incluir un anillo para proteger su válvula.
- 17 No almacene un cilindro de gas PL de reserva debajo o cerca de este electrodoméstico.
- 18 Nunca llene el cilindro a más del 80% de su capacidad.
- 19 Si no se sigue con precisión la información detallada en los puntos “17” y “18”, se podría producir un incendio que podría ocasionar lesiones graves o la muerte.
- 20 La parrilla a gas natural y su válvula de cierre individual deben desconectarse del sistema de tuberías de suministro de gas durante cualquier prueba de presión de dicho sistema que se realice a una presión superior a 0,5 psi (3,5 kPa).
- 21 La parrilla de cocción a gas para exteriores debe desconectarse del sistema de tuberías de suministro de gas cerrando manualmente la válvula de cierre individual durante cualquier prueba de presión de dicho sistema que se realice a una presión inferior o equivalente a 0,5 psi (3,5 kPa).
- 22 **ADVERTENCIA DE LA PROPUESTA 65 DE CALIFORNIA:** La combustión de gas combustible para cocción genera ciertos productos derivados que forman parte de la lista de sustancias reconocidas por el estado de California como causantes de cáncer, daños en el aparato reproductivo u otros defectos congénitos. Para reducir la exposición a estas sustancias, opere siempre esta unidad según el manual de uso y cuidado, y asegúrese de proporcionar una buena ventilación cuando cocine con gas.

IMPORTANTE: Le recomendamos encarecidamente que lea este manual detenidamente y que siga las recomendaciones adjuntas. De esta manera, se asegurará de que su nueva parrilla a gas funcione sin problemas y agradablemente. También le recomendamos que conserve este manual para referencias futuras.

ADVERTENCIA: Su parrilla ha sido diseñada para funcionar sólo con el gas especificado por el fabricante en la placa de clasificación. No intente hacer funcionar la parrilla con otro tipo de gas. El incumplimiento de esta advertencia podría ocasionar riesgo de incendio y lesiones corporales, lo que anulará la garantía.

ADVERTENCIA: Asegúrese de que un distribuidor de gas propano confiable llene su tanque de PL (propano). Un tanque de PL desbordado o incorrectamente llenado puede ser peligroso. El desbordamiento del tanque de PL combinado con su calentamiento (debido a un caluroso día de verano, a que se dejó el tanque al sol, etc.) puede ocasionar que la válvula de descarga de presión del tanque libere gas PL debido a que el propano se expande cuando se incrementa su temperatura. El gas PL liberado del tanque es inflamable y puede explotar. Consulte el Manual del propietario para obtener más información acerca de cómo llenar el tanque de PL.

Esta unidad contiene una o más patentes en trámite:

61/163,753

61/215,319

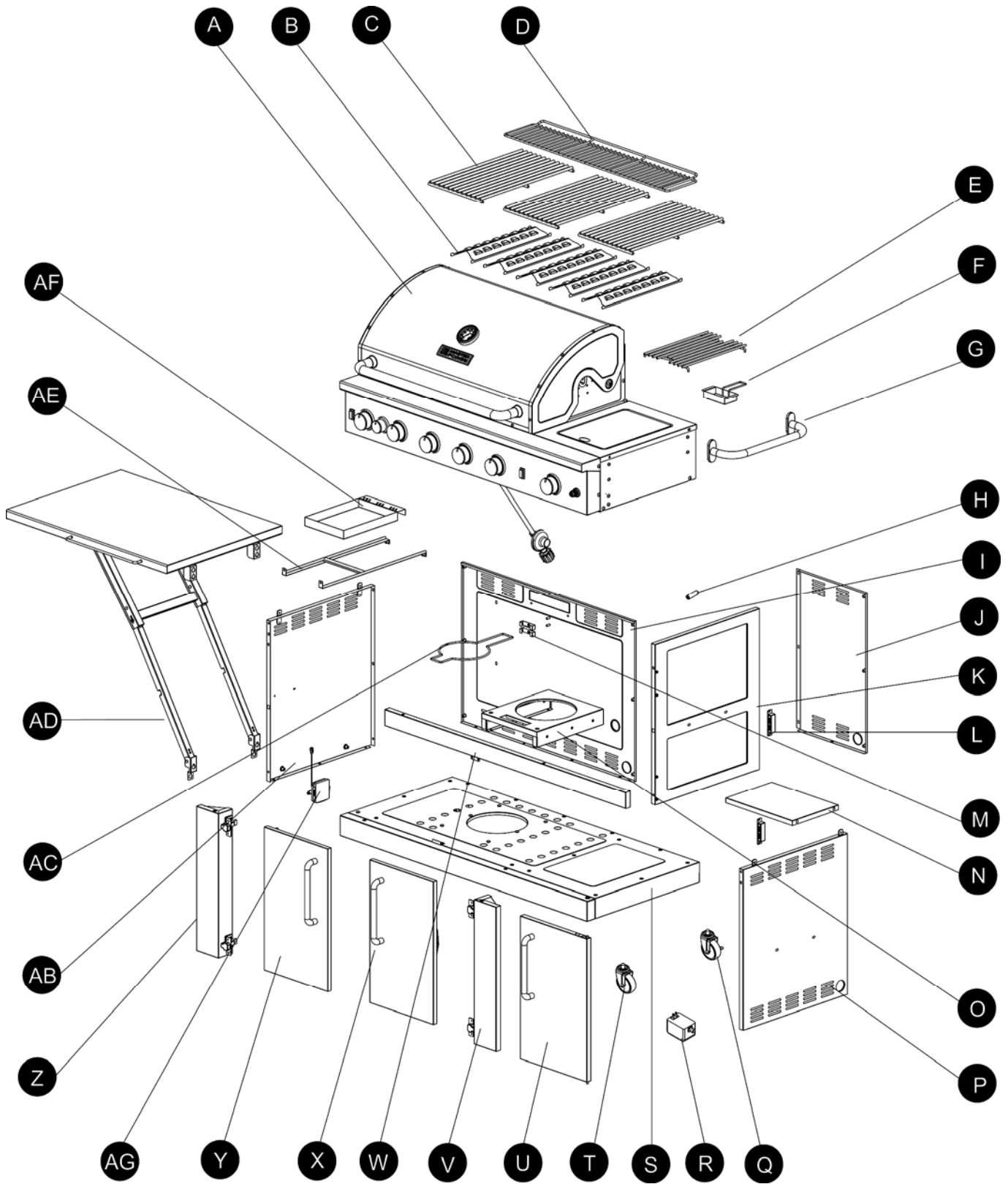
11/495,104

11/268,051

CONSEJOS DE SEGURIDAD

- Nunca arrastre la parrilla. Empújela.
- Nunca mueva la parrilla mientras está en funcionamiento o si aún está caliente.
- Use siempre guantes de protección cuando limpie la superficie de la rejilla después del período de post calentamiento y cuando cierre la válvula del tanque de propano.
- Use protección en las manos durante el asado de alimentos.
- Espere hasta que la caja del quemador se haya enfriado completamente antes de cerrar el paso del gas.
- Cerrar la válvula del tanque de PL sin permitir que la parrilla se enfríe y sin cubrir sus manos podría resultar en quemaduras graves.
- Nunca opere la parrilla debajo de salientes, toldos ni ningún área cubierta o cerrada.
- Nunca rocíe líquidos en el área de la rejilla para controlar las llamaradas.
- Nunca deje la parrilla sin supervisión a fin de evitar que posibles incendios provocados por grasa se salgan de control. Los incendios provocados por grasa pueden ser graves y provocar daños en la parrilla, a la propiedad y causar lesiones corporales.
- Siempre apague la perilla de control primero, y luego el tanque de suministro de gas propano.
- Nunca cubra la parrilla mientras aún esté caliente.
- Coloque su parrilla portátil alejada del viento directo.
- No almacene ni utilice gasolina u otras sustancias inflamables cerca de la parrilla a gas.
- Nunca almacene un tanque de propano (ya sea lleno o vacío) dentro de su hogar o área residencial.
- Antes de almacenar el tanque, asegúrese de que esté en la posición "OFF" ("CERRADO").
- Si almacena la parrilla en el interior, asegúrese de cerrar la válvula del tanque, desconectar la manguera del tanque, retirar el tanque de la parrilla y almacenar el tanque en el exterior.
- Asegúrese de que la cubierta de la parrilla esté completamente abierta antes de encenderla.
- Cuando conecte o reemplace las conexiones de gas, todas las uniones deben estar selladas con un compuesto sellador a prueba de fugas aprobado..
- Nunca utilice una llama directa para detectar fugas de gas.
- Cuando la parrilla no esté en uso, se recomienda que, por la seguridad de los niños, retire las perillas de control y las almacene en el interior.
- Mantenga a los niños alejados de la parrilla en todo momento.
- Nunca taladre ningún orificio ni haga ninguna alteración a la parrilla sin recibir la aprobación del fabricante.
- No almacene materiales inflamables en ninguno de los gabinetes debajo de la caja del quemador de la parrilla o en las cercanías de ésta.
- Tenga cuidado al manipular las piezas durante el ensamblaje. Se recomienda encarecidamente que proteja sus manos con un par de mitones de trabajo.
- A altas temperaturas, algunas parrillas inoxidables se pueden decolorar con el tiempo. Para evitar que esto suceda y eliminar la suciedad, limpie la parrilla con una toalla y aceite vegetal cuando esté fría. Algo de decoloración es normal.

CONTENIDO DEL PAQUETE



CONTENIDO DEL PAQUETE

Pieza	Descripción	Cantidad
A	Caja del quemador	1
B	Cámara de calor	5
C	Parrilla principal	3
D	Parrilla para calentar	1
E	Parrilla del quemador para asar	1
F	Quemador para asar Bandeja para líquidos	1
G	Manija de la parrilla	1
H	Batería	5
I	Panel posterior izquierdo	1
J	Panel posterior derecho	1
K	Panel central	1
L	Imán para puerta	2
M	Abrazadera del anillo del tanque	1
N	Tabla de estante	1
O	Soporte del tanque	1
P	Panel derecho	1

Pieza	Descripción	Cantidad
Q	Rueda con seguro	2
R	Transformador	1
S	Panel inferior principal	1
T	Rueda	2
U	Puerta derecha	1
V	Faldón derecho	1
W	Viga principal	1
X	Puerta central	1
Y	Puerta izquierda	1
Z	Faldón izquierdo	1
AB	Panel izquierdo	1
AC	Anillo de seguridad del tanque patentado	1
AD	Mesa para aparador	1
AE	Soporte de la bandeja para líquidos	1
AF	Bandeja de goteo del quemador principal	1
AG	Caja de baterías	1

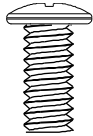
ADITAMENTOS

AA



Tuerca
Cant. 2

BB



Tornillo 1/4-20 x
5/8"
Cant. 57

CC



Tornillo 5/32-32 x
3/8"
Cant. 6

DD



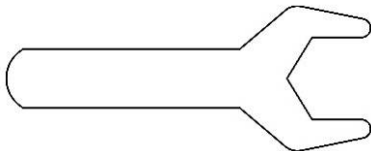
Tornillo de cabeza
plana
5/32-32 x 1/2"
Cant. 8

EE



Tornillo 3/16-24 x
1/2"
Cant. 4

FF



Llave
Cant. 1

PREPARACIÓN

Antes de comenzar a ensamblar el producto, asegúrese de tener todas las piezas. Compare las piezas con la lista del contenido del paquete y el diagrama anterior. No intente ensamblar el producto si falta alguna pieza o si éstas están dañadas. Póngase en contacto con el Servicio al Cliente para obtener piezas de repuesto.

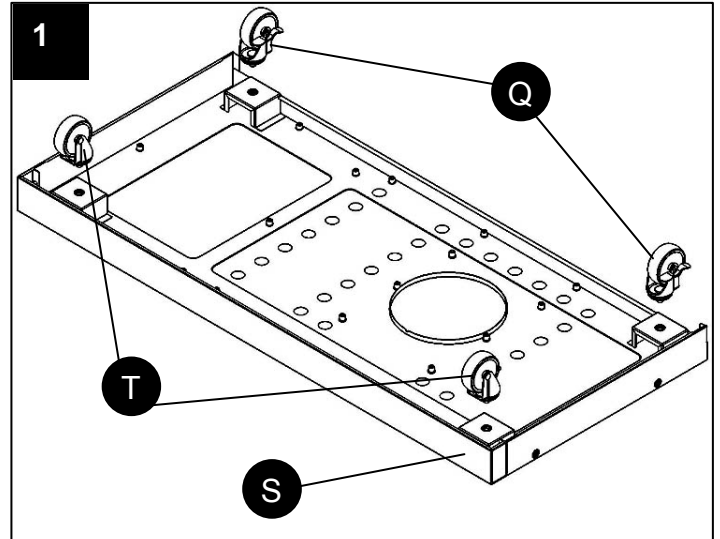
Tiempo estimado de ensamblaje: 50 minutos por dos personas

Herramientas necesarias para el ensamblaje: Destornillador Phillips (se vende por separado)

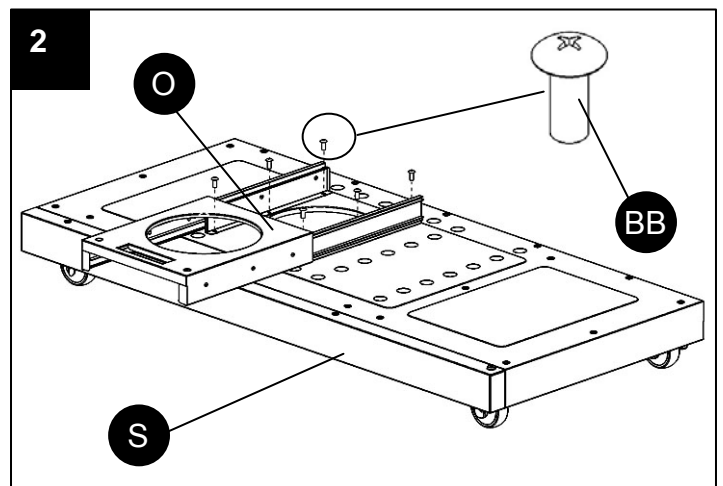
INSTRUCCIONES DE ENSAMBLAJE

⚠ ADVERTENCIA: La parrilla debe ser ensamblada y colocada sobre una superficie plana y nivelada. Compare las piezas y los aditamentos con la lista y diagramas. No intente ensamblar el producto si faltan piezas o si éstas están dañadas.

1. Alinee las ruedas (Q y T) con los orificios en el panel inferior principal (S). Use la llave de tuercas (FF) para apretar. Una vez completado dicho proceso, dé vuelta el panel inferior. Las dos ruedas con seguro (Q) deben estar en la parte posterior de la parrilla. (Fig. 1)



2. Fije el soporte del tanque (O) al panel inferior principal (S) con seis tornillos (BB). (Fig. 2)



Aditamentos utilizados

BB

Tornillo 1/4-20 x 5/8"




X 6

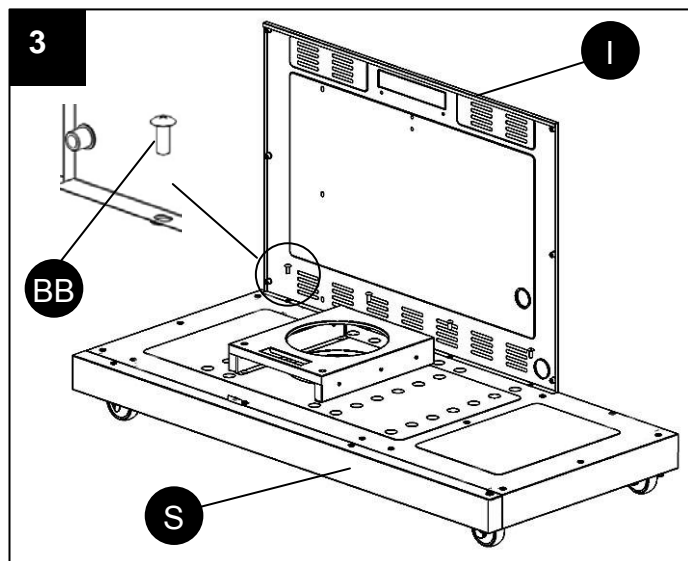
INSTRUCCIONES DE ENSAMBLAJE

3. Alinee los orificios en el panel posterior izquierdo (I) con los orificios en el panel inferior principal (S) e inserte los tornillos (BB) en los orificios alineados. (Fig. 3)

Aditamentos utilizados


BB Tornillo 1/4-20 x 5/8"  X 4

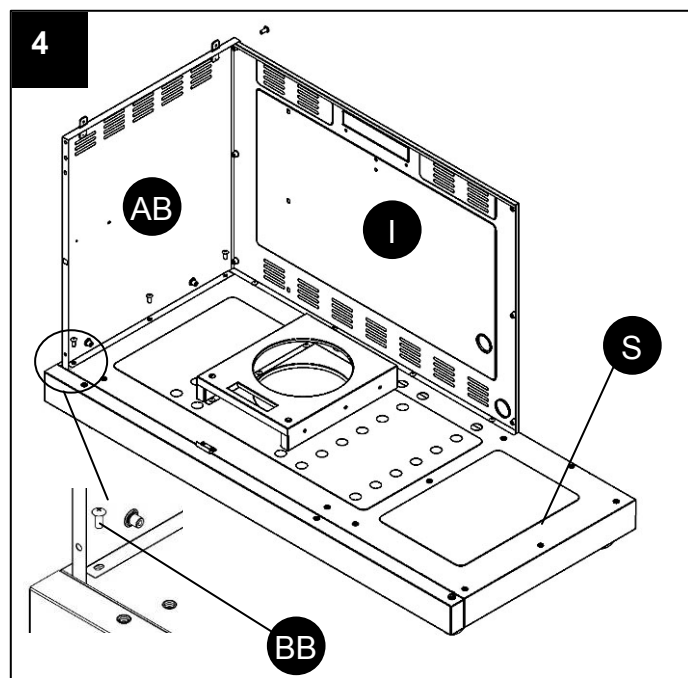
Nota: No ajuste los tornillos por completo. Deje al menos una vuelta completa en cada uno. Una vez instalados todos los tornillos, ajústelos completamente.



4. Hay seis tornillos (BB) para conectar el panel izquierdo (AB) al panel posterior izquierdo (I) y el panel inferior principal (S): tres en la parte posterior y tres dentro del gabinete. Inserte los tornillos en los orificios alineados y apriételes. Primero debe colocar los tres tornillos dentro del gabinete. (Fig. 4)

Aditamentos utilizados

BB Tornillo 1/4-20 x 5/8"  X 6




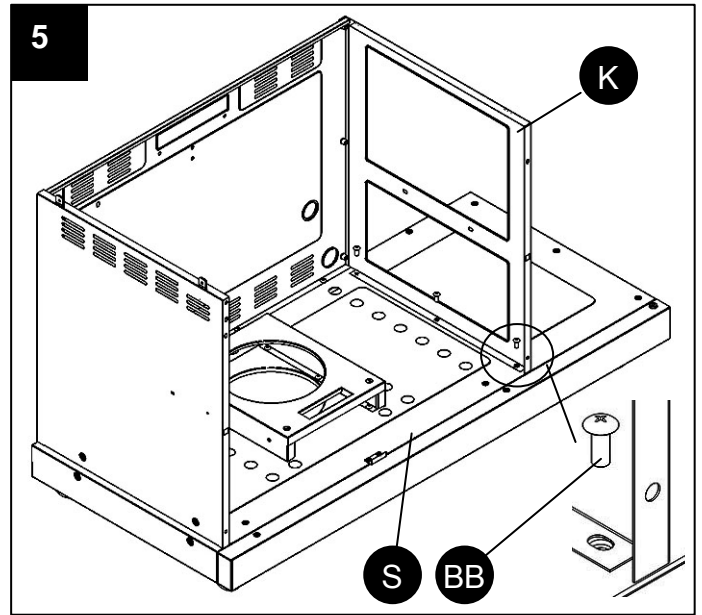
INSTRUCCIONES DE ENSAMBLAJE

5. Alinee los orificios en el panel central (K) con los orificios en el panel inferior principal (S) e inserte los tornillos (BB) en los orificios alineados y apriételos. (Fig. 5)

Nota: No apriete completamente los tornillos. Deje al menos una vuelta completa en cada uno.


Aditamentos utilizados

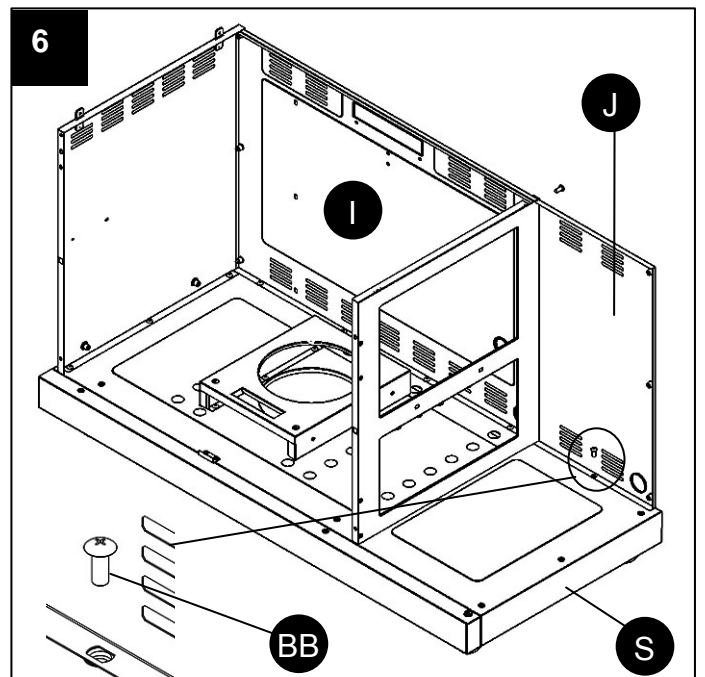
BB Tornillo 1/4-20 x 5/8"  X 3



6. Hay cuatro tornillos (BB) para conectar el panel posterior derecho (J) al panel posterior izquierdo (I) y el panel inferior principal (S): tres en la parte posterior y uno dentro del gabinete. Inserte los tornillos en los orificios alineados. Una vez instalados todos los tornillos, apriete los tres tornillos instalados en el paso 5 y el que está dentro del gabinete primero. Luego, apriete los tres tornillos en la parte posterior. (Fig. 6)

Aditamentos utilizados


BB Tornillo 1/4-20 x 5/8"  X 4

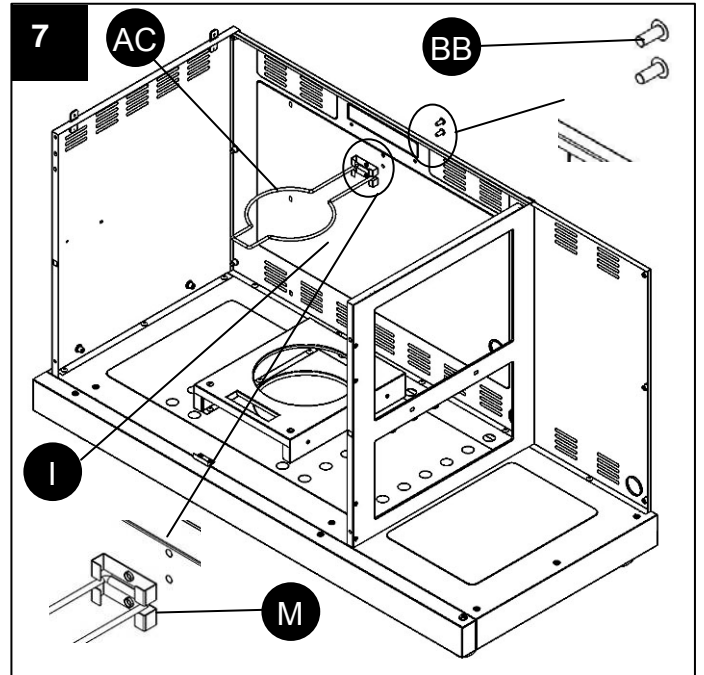


INSTRUCCIONES DE ENSAMBLAJE

7. Deslice la abrazadera del anillo del tanque (M) hacia el extremo del anillo de seguridad patentado del tanque (AC) como se muestra. Luego, alinee los orificios en la abrazadera del anillo con el panel posterior izquierdo (I), inserte los tornillos (BB) en los orificios desde la parte exterior de la parrilla y apriételos completamente. (Fig. 7)

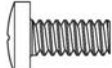
Aditamentos utilizados

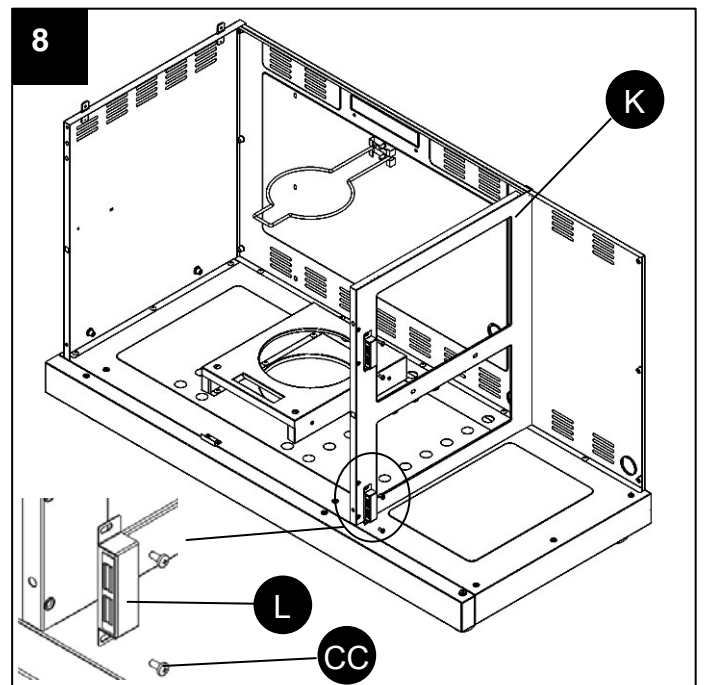
BB Tornillo 1/4-20 x 5/8"  X 2



8. En el imán de la puerta (L), hay cuatro tornillos (CC) para conectarlo al panel central (K). Inserte los tornillos en los orificios alineados y apriételos. (Fig. 8)

Aditamentos utilizados


CC Tornillo 5/32-32 x 3/8"  X 4

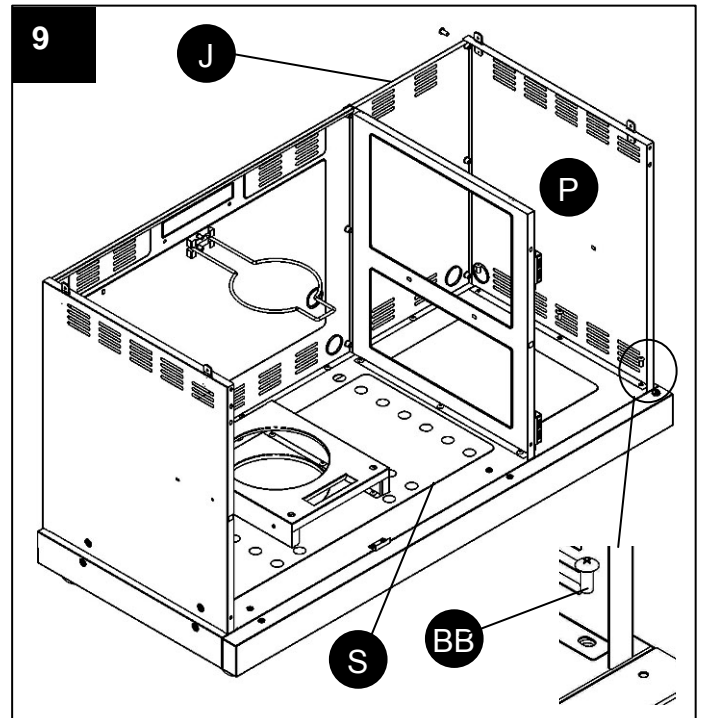


INSTRUCCIONES DE ENSAMBLAJE

9. Hay seis tornillos (BB) para conectar el panel derecho (P) al panel posterior derecho (J) y el panel inferior principal (S): tres en la parte posterior y tres dentro del gabinete. Inserte los tornillos en los orificios alineados y apriételos. Primero debe colocar los tres tornillos dentro del gabinete. (Fig. 9)

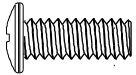
Aditamentos utilizados

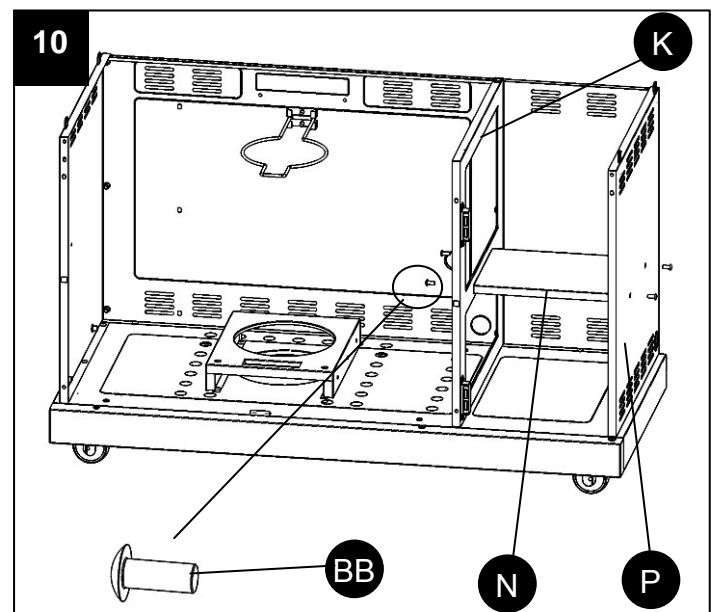
BB Tornillo 1/4-20 x 5/8"  X 6



10. Hay cuatro tornillos (BB) para conectar la tabla de estante (N) al panel central (K) y el panel derecho (P). Inserte los tornillos en los orificios alineados y apriételos. (Fig. 10)

Aditamentos utilizados


BB Tornillo 1/4-20 x 5/8"  X 4

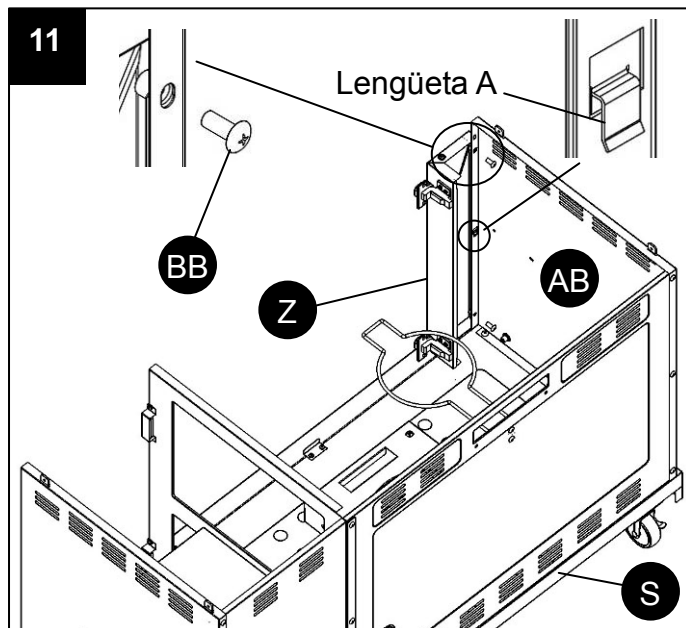


INSTRUCCIONES DE ENSAMBLAJE

11. Hay cuatro tornillos (BB) para conectar el faldón izquierdo (Z) al panel izquierdo (AB) y el panel inferior principal (S): dos en el panel izquierdo y dos dentro del gabinete. Asegúrese de que la lengüeta A esté bien segura en su lugar. Inserte los tornillos en los orificios alineados y apriételos. Primero debe colocar los dos tornillos dentro del gabinete. (Fig. 11)


Aditamentos utilizados

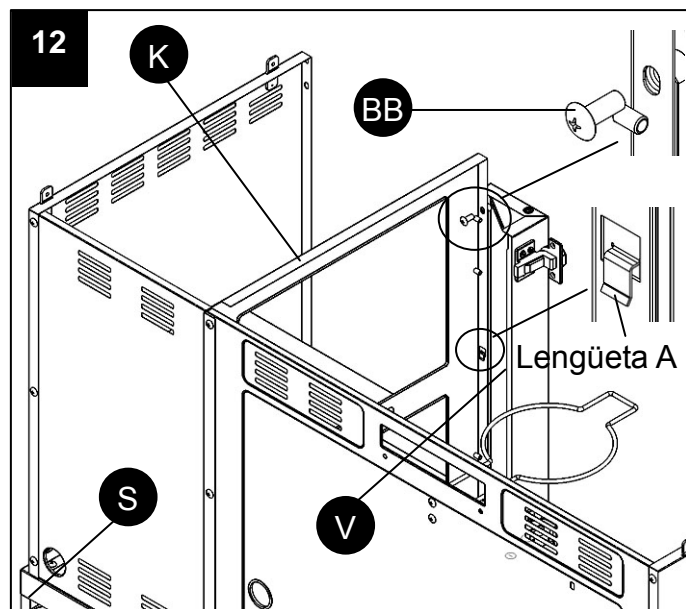
BB Tornillo 1/4-20 x 5/8"  X 4



12. Inserte la “Lengüeta A” del faldón derecho (V) en el orificio cuadrado del panel central (K) y presione hacia abajo. Asegúrese de que la lengüeta esté bien segura en su lugar. Hay cuatro tornillos (BB) para conectar este faldón al panel central (K) y el panel inferior principal (S): dos en el panel del medio y dos dentro del gabinete. Inserte los tornillos en los orificios alineados y apriételos. Primero debe colocar los dos tornillos dentro del gabinete. (Fig. 12)

Aditamentos utilizados

BB Tornillo 1/4-20 x 5/8"  X 4

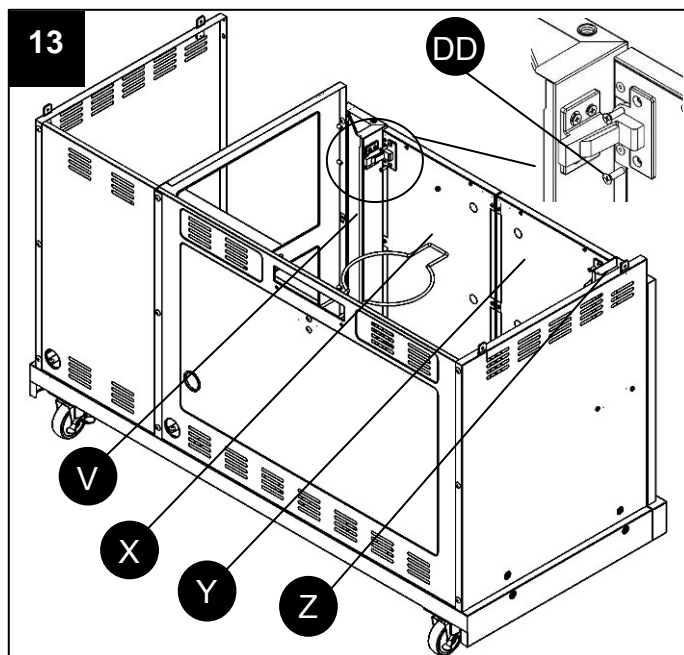
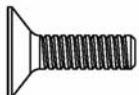


INSTRUCCIONES DE ENSAMBLAJE

13. Alinee los orificios en las bisagras de las dos puertas (X e Y) con los dos faldones (V y Z), inserte los tornillos de cabeza plana (DD) en los orificios y apriételos. (Fig. 13)

Aditamentos utilizados

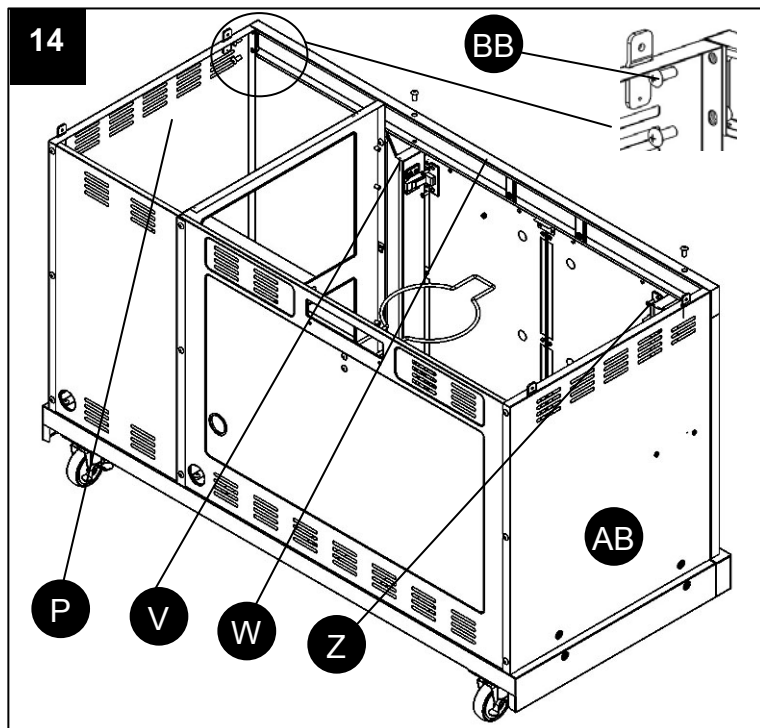
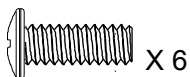
DD Tornillo de cabeza plana 5/32-32 x 1/2" X 8



14. Alinee los orificios de la viga principal (W) con los paneles laterales (P y AB) y los dos faldones (V y Z), inserte los tornillos (BB) en los orificios y apriételos. Hay cuatro tornillos para conectar los paneles laterales y dos tornillos para conectar los faldones. (Fig. 14)

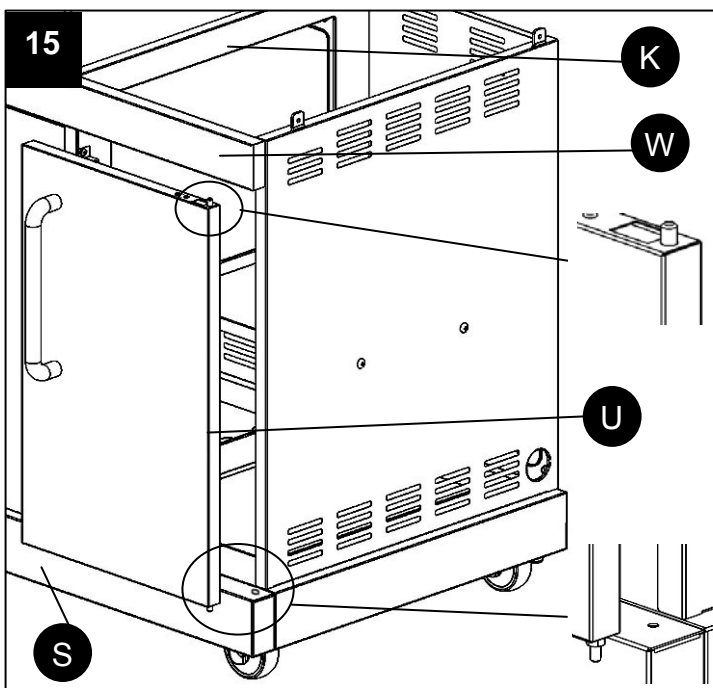
Aditamentos utilizados

BB Tornillo 1/4-20 x 5/8" X 6

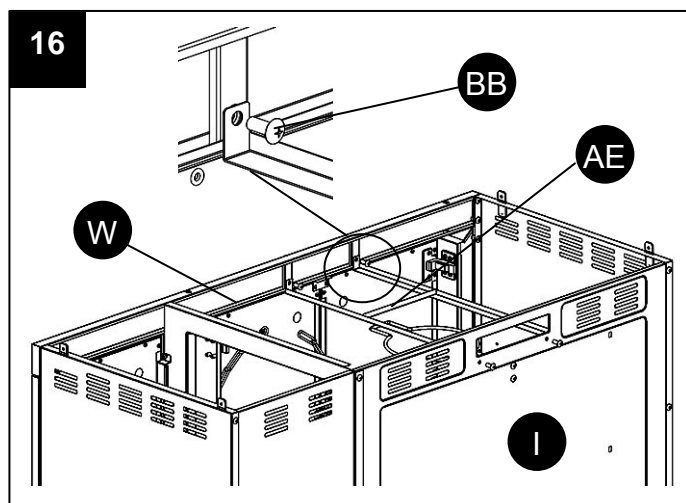


INSTRUCCIONES DE ENSAMBLAJE


15. En la puerta derecha (U), inserte el pasador de la bisagra inferior en el orificio del panel inferior principal (S). Presione el pasador de bisagra superior para insertarlo en el orificio de la viga principal (W). Afloje los tornillos que sostienen los imanes en el panel central (K). Ajuste los imanes para que entren en contacto con la puerta derecha, luego apriete los tornillos de nuevo. (Fig. 15)



16. Alinee los orificios del soporte de la bandeja de goteo (AE) con los orificios en la viga principal (W) y en el panel posterior izquierdo (I). Inserte los tornillos (BB) en los orificios y apriételos. Tenga presente la orientación del soporte de la bandeja de goteo, como se muestra. (Fig. 16)

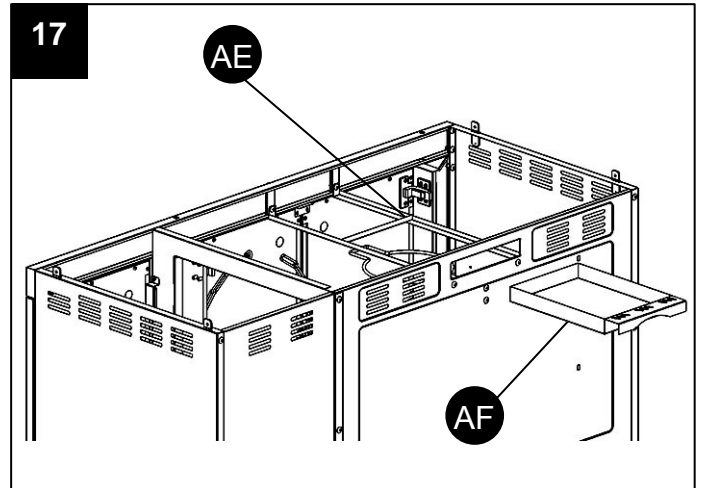


Aditamentos utilizados

BB Tornillo 1/4-20 x 5/8"  X 4

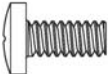

INSTRUCCIONES DE ENSAMBLAJE

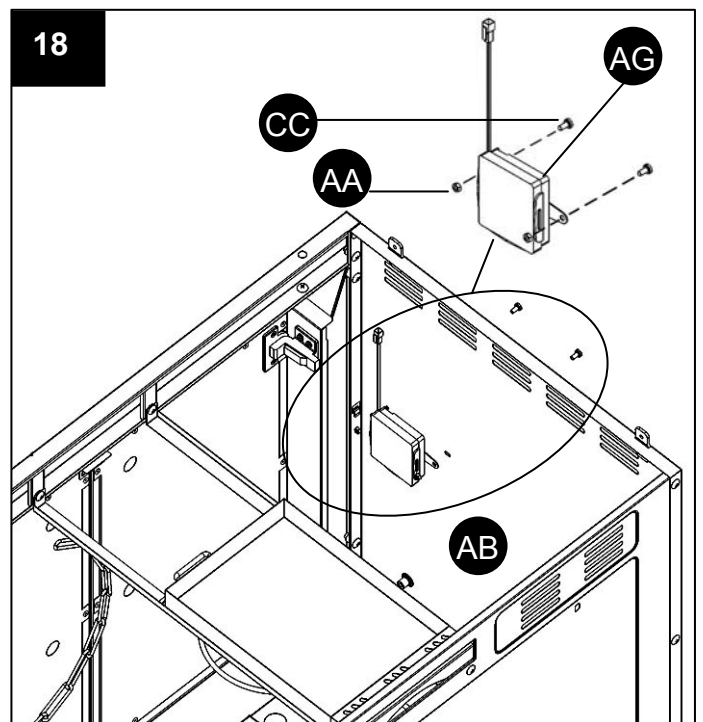
17. Deslice la bandeja de goteo del quemador principal (AF) entre el soporte de la bandeja de goteo (AE) desde la parte posterior de la parrilla. (Fig. 17)



18. Fije la caja de baterías (AG) al panel izquierdo (AB) con tornillos (CC) y tuercas (AA). (Fig. 18)

Aditamentos utilizados


CC	Tornillo 5/32-32 x 3/8"		X 2
AA	Tuerca		X 2

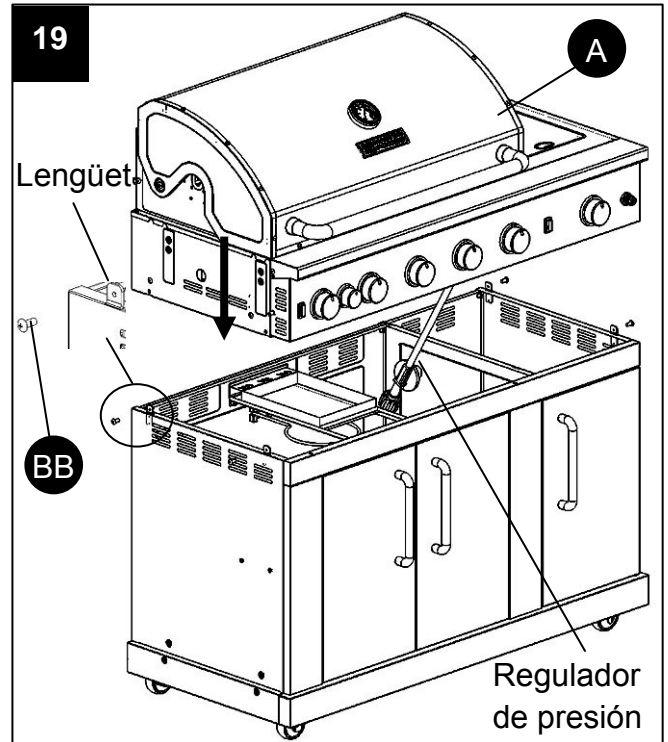


INSTRUCCIONES DE ENSAMBLAJE

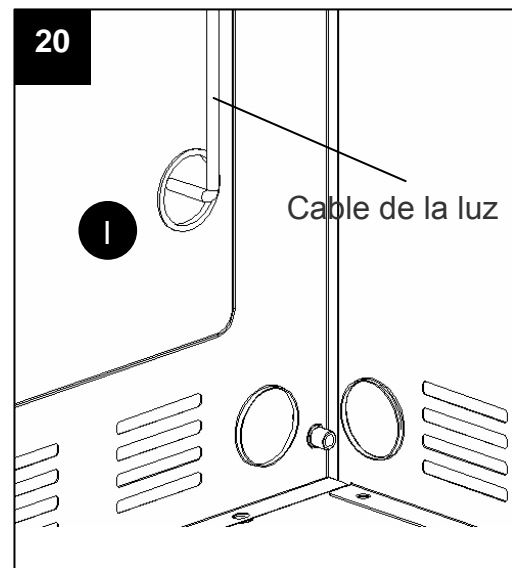
19. Retire el regulador de presión ubicado debajo de la caja del quemador (A). Luego, levante la caja del quemador (A) y colóquela sobre el gabinete, asegurándose de que el regulador de presión de gas se encuentre en el gabinete, luego, coloque la caja del quemador sobre el gabinete alineando las cuatro lengüetas de la parte superior del gabinete con los orificios en la caja del quemador. Fije la caja del quemador al gabinete con 4 tornillos (BB). (Fig. 19)

Aditamentos utilizados

BB Tornillo 1/4-20 x 5/8"  X 4

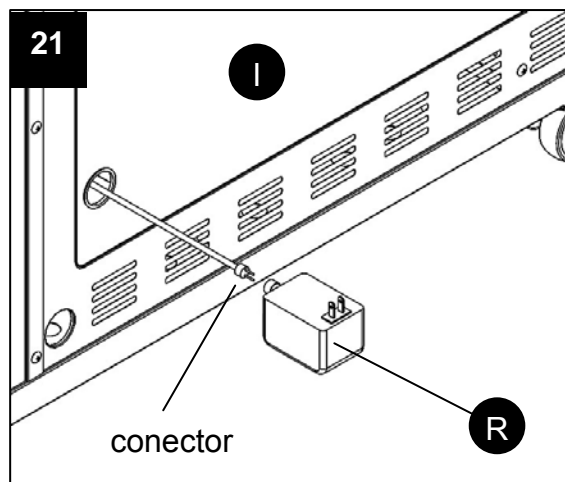


20. Guíe el cable de la lámpara desde la parte inferior de la caja del quemador (A) hasta el gabinete. Luego jale el cable a través de la abertura en el panel posterior izquierdo (I). (Fig. 20)

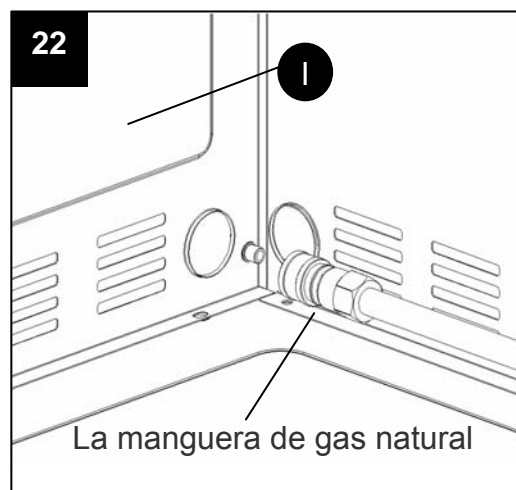


INSTRUCCIONES DE ENSAMBLAJE

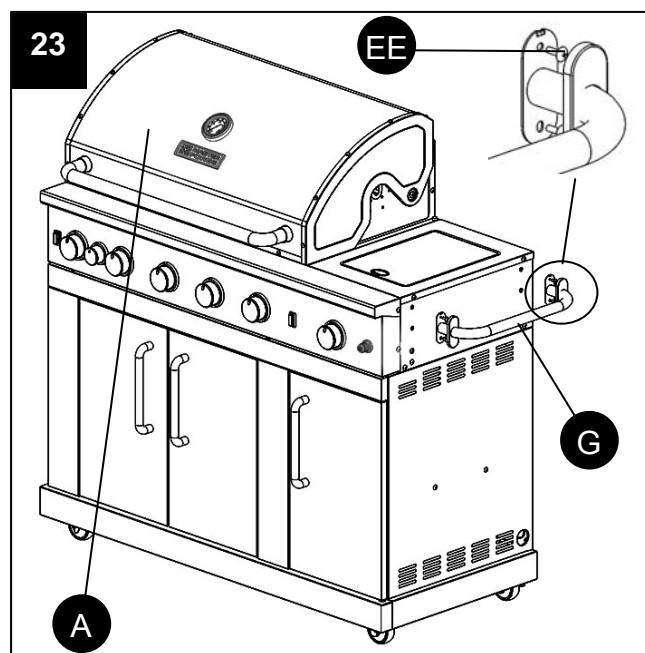
21. Conecte el conector ubicado en el extremo del cable de la lámpara del paso 20 al transformador (R). Presione el conector para conectarlo firmemente al transformador. Luego, atornille y apriete la tapa del conector. (Fig. 21)



22. En el modelo para gas natural, pase la manguera de gas natural a través del orificio en el panel posterior izquierdo (I) hacia el sistema de suministro de gas. (Fig. 22)



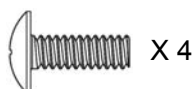
23. Aleje las cubiertas de las bases de la manija de la parrilla (G) y alinee los orificios en las bases con los orificios en la caja del quemador (A). Inserte los tornillos (EE) en los orificios alineados y apriételos. Después de apretar los tornillos, mueva las cubiertas hasta las bases. (Fig. 23)



Aditamentos utilizados

EE

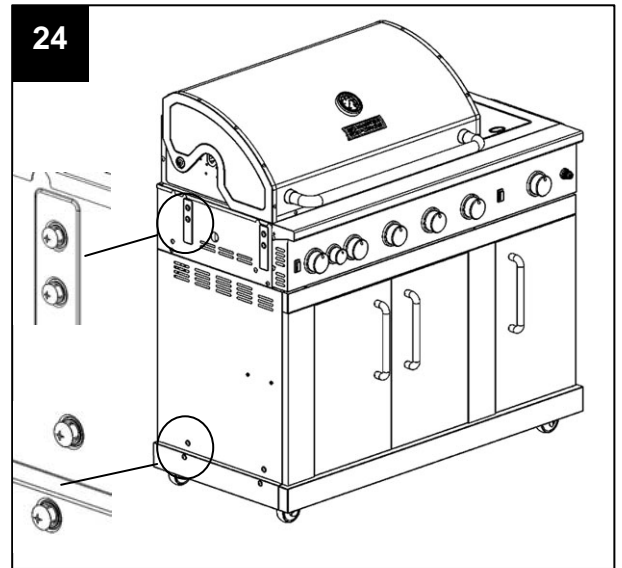
Tornillo
3/16-24 x 1/2"



INSTRUCCIONES DE ENSAMBLAJE

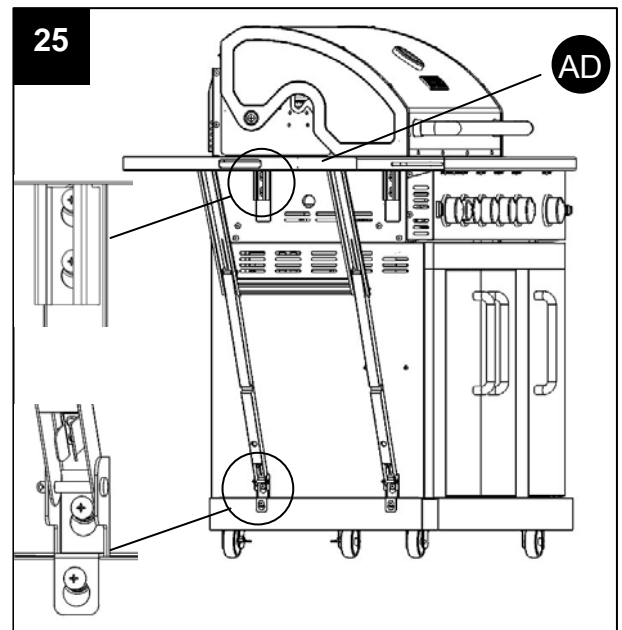
24. Afloje los ocho tornillos fijados en el panel lateral de la caja del quemador y en el panel posterior 3 vueltas. Esto permitirá ensamblar rápidamente la mesa para aparador.

(Fig. 24)



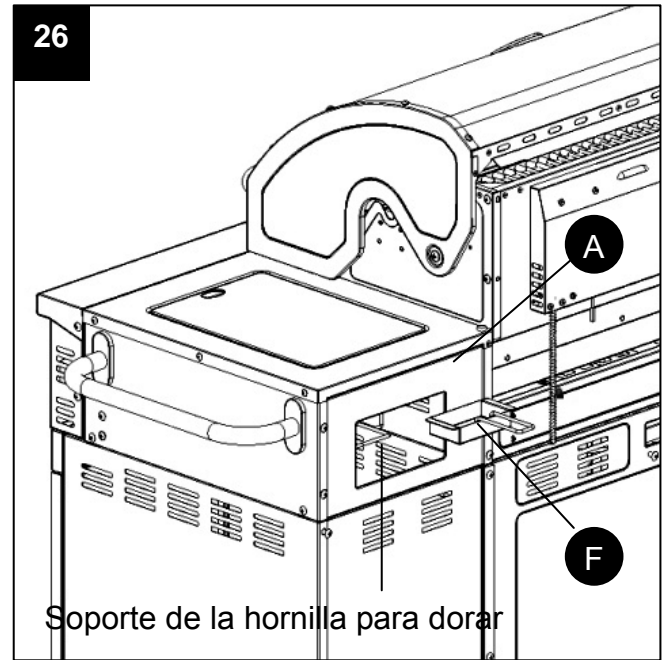
25. Alinee los orificios de las bisagras en la mesa para aparador (AD) con los orificios en la caja del quemador y el panel inferior principal. Apriete los ocho tornillos que aflojó en el paso 24.

(Fig. 25)

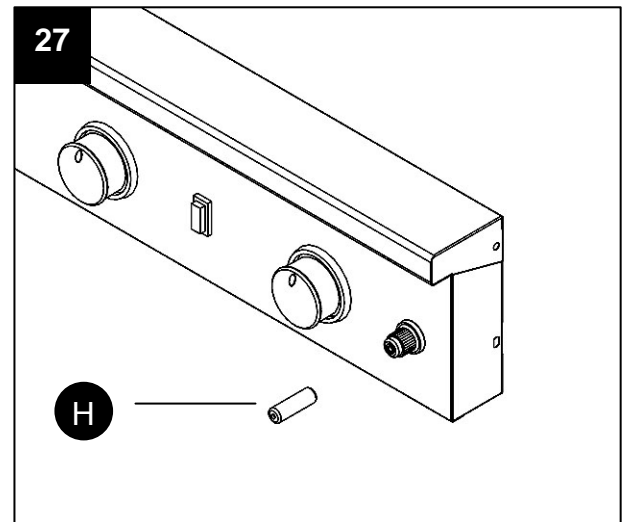


INSTRUCCIONES DE ENSAMBLAJE

26. Deslice la bandeja de goteo del quemador para asar (F) desde la parte posterior de la caja del quemador (A) hasta la abrazadera del quemador para asar. (Fig. 26)



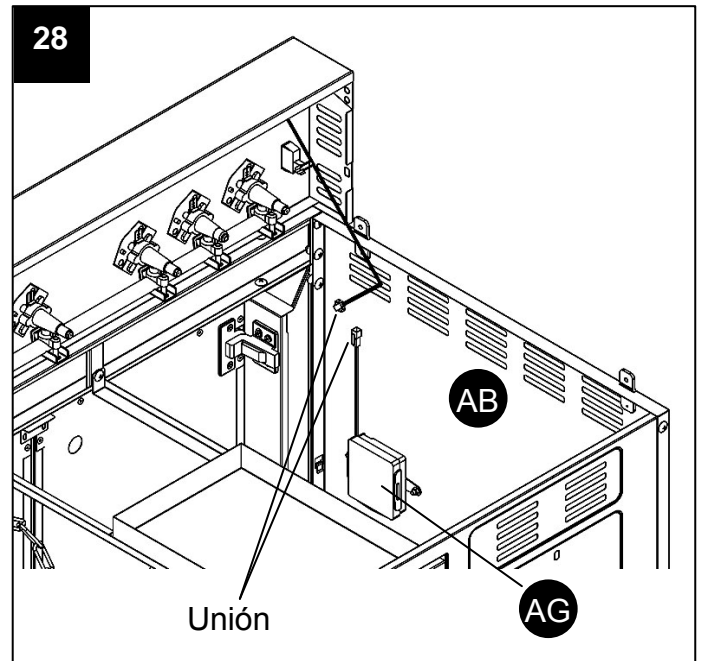
27. Coloque una batería (H) en el encendido electrónico con sus polos en la dirección correcta. (Consulte las indicaciones de la batería en el costado de la tapa). Presione y gire la perilla para verificar si produce chispas en el pasador de encendido y el quemador principal. Si esto no sucede, consulte la sección Solución de problemas para resolver el problema. (Fig. 27)



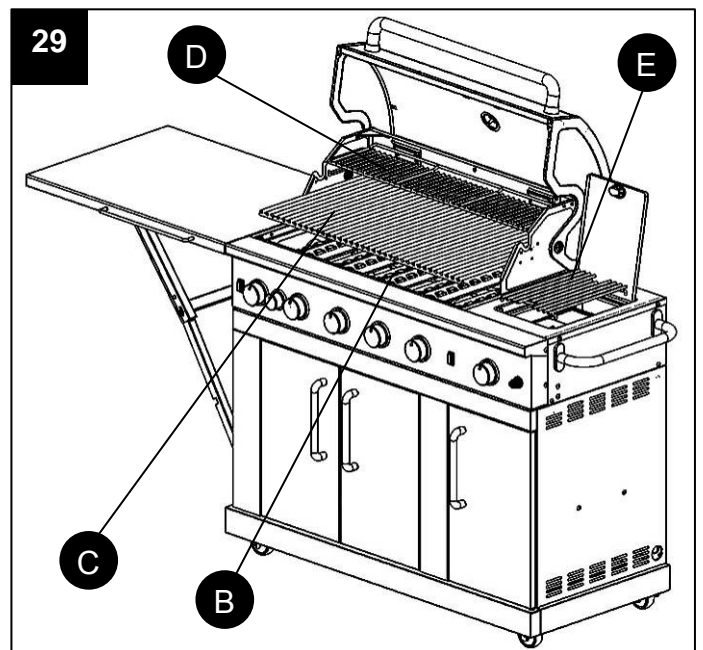
INSTRUCCIONES DE ENSAMBLAJE

28. Conecte la unión de la caja de baterías (AG) con la unión del cable de la lámpara LED. (Fig. 28)

Nota: Inserte las 4 baterías que se incluyen en el paquete en la caja de baterías.



29. Coloque la parrilla del quemador para asar (E), 5 cámaras de calor (B), 3 parrillas principales (C) y 1 rejilla para calentar (D) en su lugar. (Fig. 29)



INSTRUCCIONES DE ENSAMBLAJE

IMPORTANTE

VERIFIQUE SI PRODUCE CHISPAS

Una vez ensamblada la parrilla, pruebe el sistema de encendido con el GAS CERRADO (OFF). Verifique si produce chispas cuando presiona en el sistema de encendido de la perilla. En los quemadores laterales, las chispas pueden verse directamente. En los quemadores principales, el sistema de encendido está ubicado junto a cada quemador dentro de la caja del quemador. Se puede ver un reflejo de la chispas en la parte frontal del interior de la caja del quemador. También puede colocar un espejo a la izquierda de cada quemador principal para ver las chispas y oír el clic de los encendedores. Asegúrese de que el GAS ESTÉ CERRADO cuando presione las perillas de control. Esto ayudará a garantizar un encendido sin problemas cuando abra el paso de gas.





DIMENSION GRILL ENSAMBLADO (PULGADAS):

48.5 (ALTURA) X 81.9 (ANCHO) X 24.8 (PROFUNDIDAD) (TABLA DESPLEGADA)

48.5 (ALTURA) X 52.5 (ANCHO) X 24.8 (PROFUNDIDAD) (TABLA DOBLADO ABAJO)

AREA REJILLA PARA CALENTAR (PULGADAS CUADRADAS): 211

LA ETIQUETA UL ESTÁ EN LA PARTE POSTERIOR DE LA PUERTA, COMO MUESTRA LA IMAGEN ABAJO.

	CERTIFIED UNDER ANS Z21.58a-CSA 1.6a-2008. OUTDOOR COOKING GAS APPLIANCES. FOR OUTDOOR USE ONLY. IF STORED INDOORS, DETACH AND LEAVE CYLINDER OUTDOORS.	 GAS-FIRED LISTED 31EV MH10297
L G Sourcing Inc. P.O.Box: 1535 North Wilkesboro, NC, 28659 USA Model No.: 3218LTN Type of Gas: Propane (Convertible to Natural Gas) Input: Main Burner: 5x12,000 BTU/Hr Sear burner: 12,000 BTU/Hr Rotis burner: 13,000 BTU/Hr Light: 12VAC 10W Halogen Light x 2 Power Input: 120VAC 60Hz 0.3A	Minimum clearance from sides and back of unit to combustible construction, 36 inches from sides and 36 inches from back. Do not use this appliance under overhead combustible surfaces. This outdoor cooking gas appliance is not intended to be installed in or on recreational vehicles and / or boats.	
Manufacturing Date: XX (a) Do not store a spare LP-Gas cylinder under or near this appliance; (b) Never fill the cylinder beyond 80 percent full; and (c) If the information in "(a)" and "(b)" is not followed exactly, a fire causing death or serious injury may occur. MADE IN CHINA	Serial No.: LTN000001	
	CON CERTIFICACION ANS Z21.58a-CSA 1.6a-2008. ELECTRODOMESTICOS DE COCINA A GAS PARA EXTERIORES. PARA USO EN EXTERIORES SOLAMENTE. SI GUARDA LA UNIDAD EN EL INTERIOR, RETIRE EL TANQUE Y DÉJALO EN EL EXTERIOR.	 GAS-FIRED LISTED 31EV MH10297
L G Sourcing Inc. P.O.Box: 1535 North Wilkesboro, NC, 28659 USA Modelo No.: 3218LTN Tipo de gas: propano (Convertible a Gas Natural) Entrada: Quemador principal: 5x12,000 BTU/h Queimador de cocção: 12,000 BTU/h Rotis quemador: 13,000 BTU/h Luz: 12VAC de luz halógena 10W x 2 Energia de entrada: 120V 60Hz 0.3A	Debe haber un espacio de separación mínimo de 91,44 cm desde los lados y la parte posterior de la unidad hasta construcciones de material combustible. No use este electrodoméstico debajo de superficies combustibles. Este electrodoméstico de cocina a gas para exteriores no está diseñado para instalarse en vehículos recreativos ni en botes.	
Date de fabrication : XX (a) No almacene un tanque de gas propano de reserva debajo o cerca de este aparato; (b) Nunca llene el tanque a más del 80% de su capacidad, y (c) Si no sigue con precisión la información en "(a)" y "(b)", puede provocar un incendio que produzca lesiones graves o la muerte. HECHO EN CHINA	N° de série : LTN000001	



COCINAR CON GAS

Para la conexión de gas PL portátil

El gabinete tiene una abertura en el panel inferior que permite colocar en el lugar una brida inferior para el tanque de gas de 9,07 kg (no se incluye el tanque). Esto ayudará a asegurar el tanque en su lugar. Antes de instalar el tanque de gas, levante el anillo de seguridad patentado del tanque (como se muestra en la Fig. 29a). Una vez colocado el tanque en la abertura, baje el anillo de seguridad patentado del tanque para asegurar el tanque. Use sólo tanques de gas de 9,07 kg (consulte los Requisitos de seguridad del tanque de gas PL para obtener información adicional). **Como se muestra en la Fig. 29b, no es seguro operar la parrilla si el tanque de gas no se encuentra en posición vertical.**

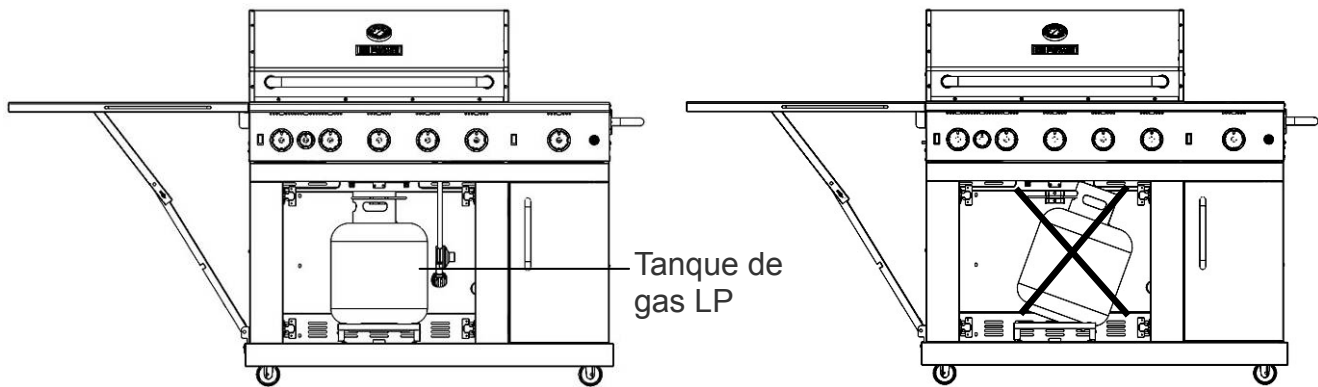


Fig. 29a

Fig. 29b

ADVERTENCIA: No se debe reemplazar el acoplamiento de conexión Tipo I (consulte la Fig. 36) provisto con su parrilla por un sistema de conexión para tanque/parrilla diferente. Su reemplazo podría ocasionar la pérdida de la garantía, fugas de gas, incendios y lesiones corporales graves.

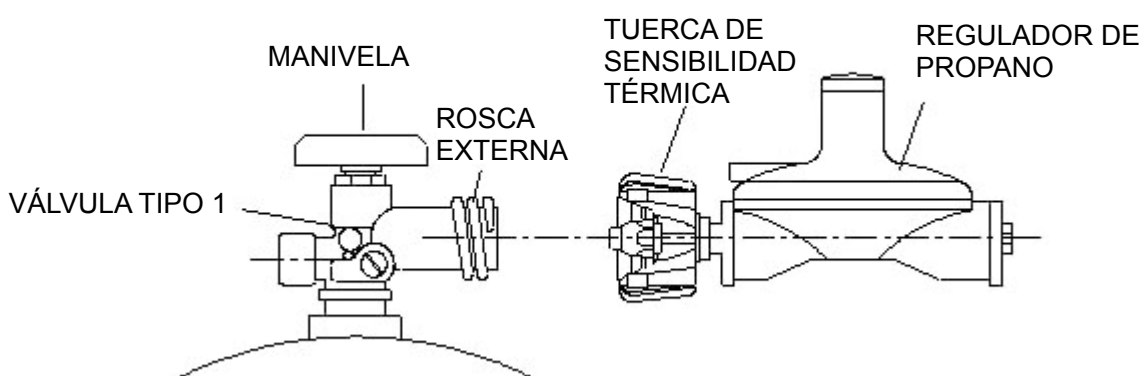


Fig. 30

La conexión a la válvula del tanque de propano provista con esta parrilla incorpora cuatro medidas de seguridad importantes: ensamblaje manual, desensamblaje manual, control de flujo excesivo y cierre activado por temperatura.

COCINAR CON GAS

a. Ensamblaje manual:

1. Asegúrese de que la válvula del tanque y todas las válvulas del electrodoméstico estén en la posición "OFF".
2. Cuando conecte el ensamble de la válvula del quemador/regulador a la válvula del tanque, gire la tuerca de plástico grande en dirección de las manecillas del reloj hasta que se detenga.
3. El gas no fluirá a menos que la tuerca de plástico esté conectada completamente.
4. APRIETE A MANO SOLAMENTE.

b. Desensamblaje manual:

1. Asegúrese de que la válvula del tanque y todas las válvulas del electrodoméstico estén en la posición "OFF".
2. Gire la tuerca de plástico grande en dirección contraria a las manecillas del reloj hasta desensamblarla.
3. FUNCIONAMIENTO MANUAL SOLAMENTE.

c. Control de flujo excesivo y poco calor

El ensamble del regulador de propano incorpora un dispositivo de control de flujo excesivo diseñado para suministrar suficiente flujo de gas a la parrilla en condiciones normales y, al mismo tiempo, controlar el flujo de gas excesivo.

Los cambios bruscos en la presión pueden activar el dispositivo de control de flujo excesivo y producir una llama y temperatura bajas. Si la válvula del tanque se abre para permitir el flujo de gas mientras la válvula de un quemador está abierta, el aumento de presión activará el dispositivo. El dispositivo permanecerá cerrado hasta que la presión se regule. Esto debería ocurrir dentro de 5 segundos.

Para asegurarse de que esto no cause dificultad para encender la parrilla, siga estas instrucciones:

1. Asegúrese de que todas las válvulas estén cerradas.
2. Abra la válvula del tanque y espere 5 segundos.
3. Encienda los quemadores de uno a la vez después de la iluminación de las instrucciones.

d. Cierre activado por temperatura

La tuerca de plástico grande del ensamble del regulador está diseñada junto con la válvula de control de la válvula del tanque para cerrar el flujo de gas cuando se expone a temperaturas entre 115,6 °C y 148,9 °C.

En caso de incendio o rotura de una manguera, una de las medidas de seguridad comenzará a funcionar a fin de controlar o detener el flujo de gas desde el tanque de propano. Nunca intente utilizar un equipo dañado.

Importante: Antes de la utilización de un tanque de gas fresco, por favor, compruebe las fugas alrededor de las conexiones de acuerdo a la sección "Comprobación de Fugas de Gas, y asegúrese de que no haya fugas de vapor o la acumulación en el gabinete. Asegúrese de que todas las aberturas alrededor de las paredes laterales no están bloqueadas.

Importante: Coloque la tapa para polvo en la salida de la válvula del cilindro cuando no esté en uso. Sólo instale el tipo de tapa para polvo que se proporciona con la válvula del cilindro en la salida de la válvula del cilindro. Otros tipos de tapas o taponés pueden causar la fuga del propano.

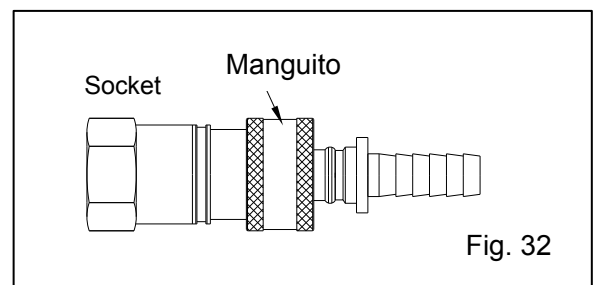
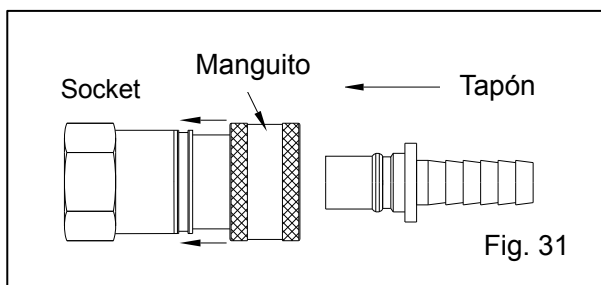
Para la conexión de gas natural

Preparación:

1. Cierre el suministro de gas y luego retire la tapa en el lado del suministro de gas.
2. Recomendado: Instale una válvula de cierre en el lado del suministro de gas antes de instalar el socket.
3. El socket debe ser instalado por un técnico autorizado, de acuerdo con el código nacional de gas combustible (NFPA 54/ANSI223.1).
4. Antes de insertar el tapón, abra el suministro de gas y verifique si las conexiones tienen fugas, incluyendo el vástago de la válvula de cierre y la apertura del socket. Para obtener mejores resultados, utilice una solución de jabón sin amoníaco y agua.

Instrucciones de funcionamiento:

1. Para conectar, presione hacia atrás el manguito del socket (Fig. 31).



2. Inserte el tapón y libere el manguito (Fig. 32).
3. Presione el tapón hasta que el manguito encaje adelante (Fig. 33). (El gas fluirá automáticamente. No conectar el tapón al socket de forma adecuada podría impedir que el gas fluya hacia el electrodoméstico).
4. Revise la conexión con una solución de jabón sin amoníaco y agua.

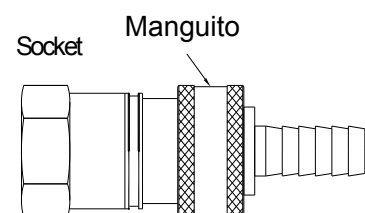


Fig. 33

COCINAR CON GAS

Para desconectar

1. Jale el manguito hacia atrás. Saque el tapón del socket. (El gas se corta automáticamente).
2. Cierre la válvula de cierre y reemplace las tapas para polvo en el socket y el tapón.

Requisitos de gas

La parrilla 3218LTN está establecida y revisada de fábrica para el tipo de suministro de gas a utilizarse. Identifique el tipo de gas, ya sea gas natural o gas PL, y asegúrese de que el etiquetado en la placa de clasificación concuerde con el suministro de gas indicado. La placa de clasificación está ubicada en el panel interior de la puerta izquierda.

Gas PL

Si su parrilla funciona a gas PL, el regulador provisto está configurado en 279,4 mm de columna de agua (mm.c.a.) y sólo se debe usar con gas PL. La manguera y el regulador provistos de fábrica se deben usar únicamente con un tanque de gas PL de 9,07 kg.

Gas natural

La parrilla 3218LTN puede convertirse a gas natural. El kit de GN #0050772 se vende por separado. Puede encontrar el kit de conversión en su tienda Lowe's local o puede llamar al Departamento de Servicio al Cliente al 1-800-963-0211. Siga el manual para convertir la parrilla a gas natural.

Si la parrilla es para gas natural, está configurada en 177,8 mm de columna de agua (mm.c.a.) y es sólo para uso con gas natural. La presión de gas se ve afectada por el tamaño y el largo de la línea de gas proveniente de la casa. Siga las recomendaciones del siguiente cuadro.

Desde la casa hasta la parrilla	
Distancia	Tamaño de la tubería
Hasta 7,62 m	3/8" de DIÁMETRO
De 7,92 a 15,24 m	1/2" de DIÁMETRO
15,54 a 30,48 m	2/3" a 3/4" 1/3" a 1/2"
Más de 30,78 m	3/4" de DIÁMETRO

Sistema de gas PL

Póngase en contacto con su proveedor de gas para obtener un regulador especial de volumen de gas que alimente otros electrodomésticos.

Consumo de gas

Consumo total de gas de esta parrilla con los quemadores establecidos en "HIGH" ("ALTO"): Tabla 1 a continuación.

Tabla 1

Tipo de quemador	BTU/HR
Quemadores principales	12000 x 5
Quemador lateral	12000 x 1
Quemador para rostizar	13000 x 1

Requisitos de seguridad del tanque de gas PL

Para las parrillas a gas PL, el tanque de suministro de gas PL debe estar:

- Fabricado y etiquetado según las especificaciones para tanques de gas PL del Departamento de Transporte de EE.UU. (DOT) o la Ley nacional de Canadá, CAN/CSA-B339, cilindros, esferas y tubos para el transporte de mercancías peligrosas y la Comisión, según corresponda, y
- equipado con un dispositivo de prevención de sobrellenado (OPD, por sus siglas en inglés) homologado.
- Equipado con un dispositivo de conexión para el tanque compatible con la conexión para electrodomésticos para exteriores.

El tanque debe tener 30,48 cm de diámetro y 46,99 cm de alto, y estar equipado con un conector Tipo I.

Se debe adaptar el sistema de suministro del tanque para la extracción de vapores.

El tanque utilizado debe incluir un anillo para proteger la válvula del cilindro.

No opere la parrilla a gas en interiores ni en ningún área cerrada. Si la parrilla a gas no está en uso, se debe cerrar el paso de gas desde el tanque de suministro. Si va a guardar la parrilla en el interior, desconecte el tanque de suministro de gas y almacénelo en posición vertical en algún lugar exterior frío y bien ventilado, lejos de la parrilla o cualquier fuente de calor.

Cuando verifique si hay fugas de gas, no use una llama directa. Utilice una solución de agua jabonosa y aplíquela en las conexiones y uniones de la tubería con un cepillo y verifique si hace burbujas. Compruebe que no haya cortes ni desgaste en las mangueras flexibles que puedan afectar el funcionamiento seguro de la parrilla. Sólo se debe utilizar el regulador y la manguera provistos de fábrica. Use sólo los reguladores y ensambles de manguera de repuesto especificados por el fabricante.

Búsqueda de fugas de gas

Antes de operar la parrilla y después de volver a colocar combustible, revísela cuidadosamente para asegurarse de que todas las conexiones estén apretadas y que no haya fugas de gas.

- Prepare de 59,15 ml a 88,72 ml de solución para fugas mezclando detergente líquido para platos con agua.
- Asegúrese de que todas las perillas de control estén en la posición "OFF".
- Coloque pequeñas cantidades de solución para fugas con el cepillo en todas las conexiones y abra el paso de gas.
- Si se forman burbujas, hay una fuga. Continúe con el paso 5.
- Cierre el paso de gas y apriete todas las conexiones.
- Vuelva al Paso 1 para volver a verificar las conexiones.
- Si se siguen formando burbujas, cierre el paso de gas. Póngase en contacto con el Servicio al Cliente.

ADVERTENCIA: Nunca utilice un fósforo o una llama directa para detectar fugas. El uso de una llama directa puede ocasionar un incendio, una explosión y lesiones corporales.

IMPORTANTE: Cuando conecte o reemplace cualquier conexión o tubería de gas, todas las uniones deben estar selladas con compuesto sellador a prueba de fugas o cinta de plomero aprobada.

COCINAR CON GAS

Manipulación segura del tanque de propano líquido

Recuerde manipular su tanque de propano líquido portátil con cuidado cuando lo lleve a su proveedor para que lo vuelva a llenar. Evite dejarlo caer o golpearlo contra objetos filosos. Los tanques de propano líquido están sólidamente fabricados, pero cualquier serie de sacudidas podría dañar el contenedor.

Cuando traslade el tanque a su proveedor de gas propano local, asegúrese de que la válvula esté bien cerrada y la cubierta protectora esté en su lugar. Coloque el tanque de forma segura en posición vertical para que no ruede por el vehículo.

Si planea hacer alguna parada para realizar compras o alguna diligencia, llene el tanque de propano líquido en la última parada antes de regresar a su hogar. Nuevamente, vuelva a asegurarse de que el tanque recién llenado esté seguro y en posición vertical. Al regresar al hogar, retire el tanque lleno del vehículo. No deje nunca un tanque de propano líquido portátil dentro del vehículo, ya que puede recalentarse con el sol.

Su proveedor de gas propano líquido local gustosamente le brindará consejos de seguridad adicionales.

Almacenaje seguro del tanque de propano líquido

Ya sea que esté de viaje por el campo en un vehículo de recreación o buscando un lugar donde colocar el tanque de propano líquido para abastecer su parrilla para exteriores, tenga en cuenta algunas normas de seguridad básicas acerca de cómo almacenar tanques de propano líquido:

No almacene los tanques (llenos o vacíos) dentro del hogar, en áreas residenciales de vehículos de recreación, garajes, sótanos o talleres. Es poco probable que el propano líquido se fugue del tanque. Si llegara a fugarse, el combustible podría quedar expuesto a chispas de automóviles, herramientas eléctricas u otros electrodomésticos. Cuando almacene o traslade el tanque de PL, éste debe permanecer en posición vertical. Nunca coloque el tanque de PL de lado, esté lleno o vacío. Nunca almacene un tanque de repuesto debajo o cerca de la parrilla.

PRECAUCIÓN: Nunca mueva o traslade la parrilla o el tanque de la parrilla sin primero cerrar la válvula manual del tanque de gas propano líquido.

El mejor sitio para almacenar un tanque de propano líquido es un lugar sombreado o protegido en el exterior, detrás del hogar o el garaje, o un porche con malla, siempre y cuando esté fuera del alcance de los niños. El propano líquido no se evapora. El contenedor es sólido y cerrado. No perderá su contenido termodinámico de combustión limpia, aunque lo deje en el exterior durante todo el año.

ADVERTENCIA: Cuando no esté conectado a la parrilla, debe almacenar el tanque de gas PL en posición vertical en un lugar frío, sombreado y bien ventilado del exterior, lejos de la parrilla o cualquier fuente de calor. El incumplimiento de esta advertencia podría dañar la válvula del tanque, ocasionar riesgo de incendio y lesiones personales.

Relleno del tanque de propano

Es extremadamente importante que se llene correctamente el tanque de PL cuando lo lleve a rellenar. Asegúrese de llevarlo a un proveedor de PL confiable y de observar cómo se rellena el tanque y hasta qué capacidad. Un tanque de PL desbordado puede ser peligroso.

COCINAR CON GAS

La forma correcta de llenar un tanque es según su peso. Se debe colocar el tanque vacío en una balanza. Se debe adaptar el peso de la balanza a un peso que permita llenar hasta el 80% del peso total. La operación de llenado debe finalizar una vez completado el 80% de la capacidad del tanque. Si el tanque no está completamente vacío, se debe cambiar la regulación de la balanza a fin de considerar el propano (PL) que se encuentra dentro del tanque.

ADVERTENCIA: Un tanque de PL (propano) se considera desbordado si contiene más del 80% de su capacidad total de propano (PL).

Un tanque de PL (propano) desbordado o incorrectamente llenado puede ser peligroso. Si el tanque está desbordado y el clima calienta el tanque de PL (debido a un día caluroso, a que se dejó el tanque al sol o que se almacenó en el interior), se generará presión interna debido a la expansión del propano, lo que a su vez puede ocasionar que la válvula de descarga de presión del tanque libere gas PL. La válvula de descarga de presión es un dispositivo de seguridad de los tanques de propano de 9,07 kg exigido por el Departamento de Transporte de EE.UU., que evita que el tanque presente fallas graves debido a un exceso de presión. El gas PL liberado del tanque es inflamable y puede explotar.

IMPORTANTE: Cuando conecte o reemplace las conexiones o tubería de gas, todas las uniones deben estar selladas con compuesto sellador a prueba de fugas o cinta de plomero aprobada. Una vez realizadas las conexiones, compruebe que no haya fugas en las uniones con una solución de agua jabonosa y un cepillo.

ADVERTENCIA: Nunca utilice una llama directa para detectar fugas de gas. El uso de una llama directa puede ocasionar un incendio, una explosión y lesiones corporales.

Ubicación de la parrilla

Este electrodoméstico a gas está diseñado y certificado sólo para uso en exteriores. No opere la parrilla dentro de un edificio, garaje, vehículo de recreación, porches con malla o cualquier área cerrada. Mantenga la parrilla alejada de zonas ventosas, pero en un área bien ventilada. No obstruya el flujo de aire de combustión y ventilación alrededor de la parrilla.

Advertencia: No coloque la parrilla debajo de superficies combustibles desprotegidas.

Distancia respecto de las construcciones combustibles

Se debe mantener una distancia mínima de 91,44 cm desde los lados de la parrilla y de 91,44 cm desde la parte posterior de la parrilla hasta las construcciones combustibles verticales adyacentes. No obstante, el fabricante recomienda encarecidamente una distancia de 1,83 m desde la parrilla hasta las construcciones combustibles.

Distancia respecto de las construcciones no combustibles

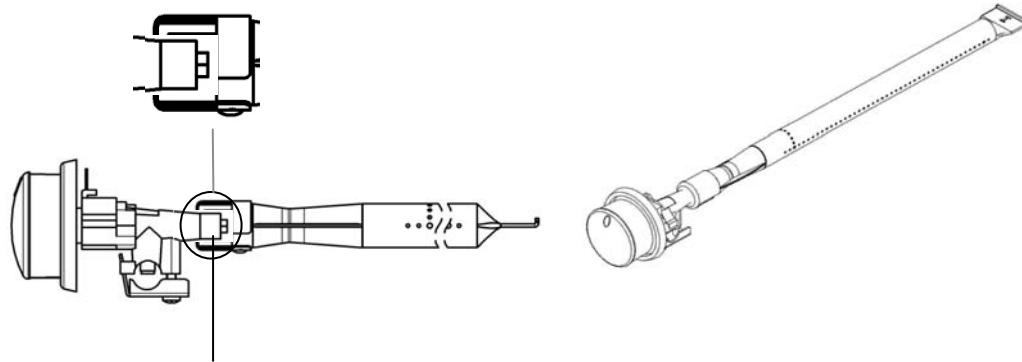
Es necesario mantener una distancia mínima de 91,44 cm desde la parte posterior de la parrilla por encima de la superficie de cocción, hasta las construcciones no combustibles para que la cubierta de la parrilla se abra por completo. Se recomienda mantener una distancia mínima de 91,44 cm desde los costados de la parrilla por encima de la superficie de cocción, hasta las construcciones no combustibles. Puede instalar la parrilla directamente junto a una construcción no combustible por debajo de la superficie de cocción.

INSTRUCCIONES DE FUNCIONAMIENTO

Instrucciones de encendido de la parrilla

Verificación de la alineación de los orificios con los quemadores

Los orificios pueden moverse durante el ensamblaje y el traslado; por lo tanto, verifique la alineación de los orificios con los quemadores según las siguientes ilustraciones antes de encenderlos.



Montante del orificio dentro del obturador de aire

Fig. 34 Relación de los orificios con el quemador principal

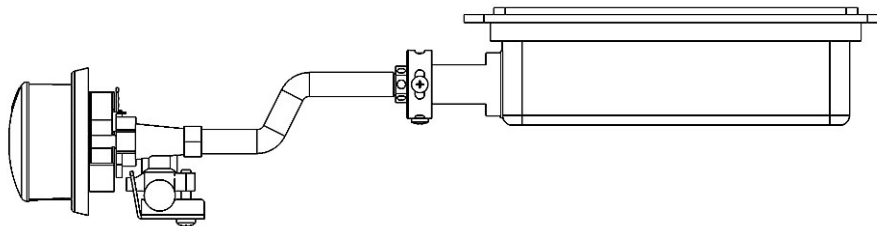


Fig. 35 Relación de los orificios con el quemador lateral

Instrucciones de encendido

1. Lea las instrucciones antes de encender la parrilla.
2. Abra la tapa durante el encendido.
3. Abra completamente la válvula del cilindro.
4. Presione la perilla de control y gírela hacia la izquierda hasta la posición "HIGH" ("ALTO"). Mantenga la perilla de control presionada hasta que el quemador se encienda.
5. Si el quemador no se enciende después de 5 segundos, apague el control del quemador, espere 5 minutos y repita el procedimiento de encendido.

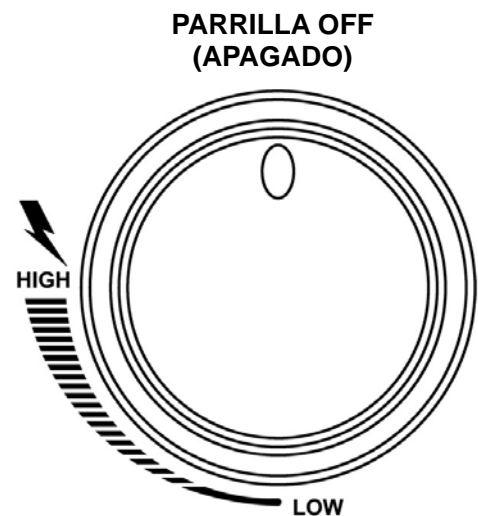


Fig. 36

ADVERTENCIA:

1. Asegúrese de que la cubierta esté abierta por completo cada vez que intente encender la parrilla. Si no abre la cubierta, podría retardar el encendido y ocasionar daños corporales.

2. Esta parrilla cuenta con un orificio por el que se pueden observar las llamas en el panel lateral. Utilice mitones de protección antes de usar la mira para las llamas.

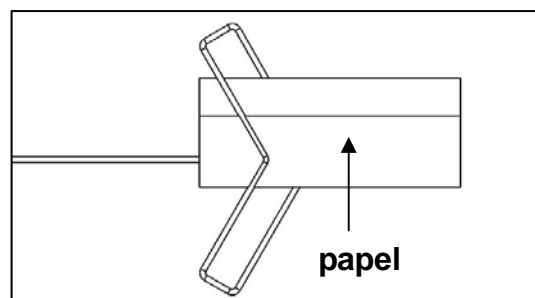
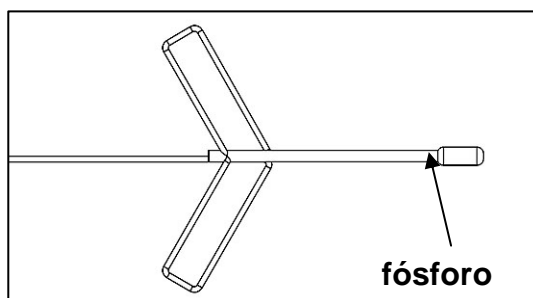
PRECAUCIÓN: Es importante inspeccionar el largo total de la manguera de la línea de gas. Si es evidente que hay abrasión o desgaste excesivos, o si la manguera está cortada, debe reemplazarla antes de comenzar a usar el electrodoméstico.

Si es necesario, consulte la lista de piezas para averiguar cuál es el ensamble de la manguera de repuesto correcto. Deberá abrir la puerta inferior para inspeccionar la manguera por completo.

Instrucciones de encendido con fósforos

Importante: Cuando encienda cualquier quemador con fósforos, la cubierta debe estar abierta.

1. Abra el suministro de gas.
 - a. Si es portátil, desde la válvula del cilindro de gas PL.
 - b. Si el suministro de gas es permanente, desde la válvula de cierre de gas manual.
2. Ubique los orificios de observación de llamas en ambos lados.
3. Abra la puerta derecha para acceder al sujetador de fósforos con cadena.
4. Coloque el fósforo o papel en el sujetador como se muestra en la Fig. 37, encienda el fósforo y acérquelo a los puertos del quemador, presione y gire la perilla hacia la izquierda, hacia la posición "HIGH".
5. El quemador central (de ser necesario) puede encenderse desde la rejilla central insertando el sujetador de fósforos en la parte frontal de la cámara. Encienda este quemador antes de encender ambos quemadores externos.
6. Presione la válvula del quemador de dicho quemador y gírela hacia la posición Alto (High).
7. Verifique que el quemador haya encendido. Retire el fósforo y apáguelo.
8. Repita los pasos 2 a 6 para el siguiente quemador.



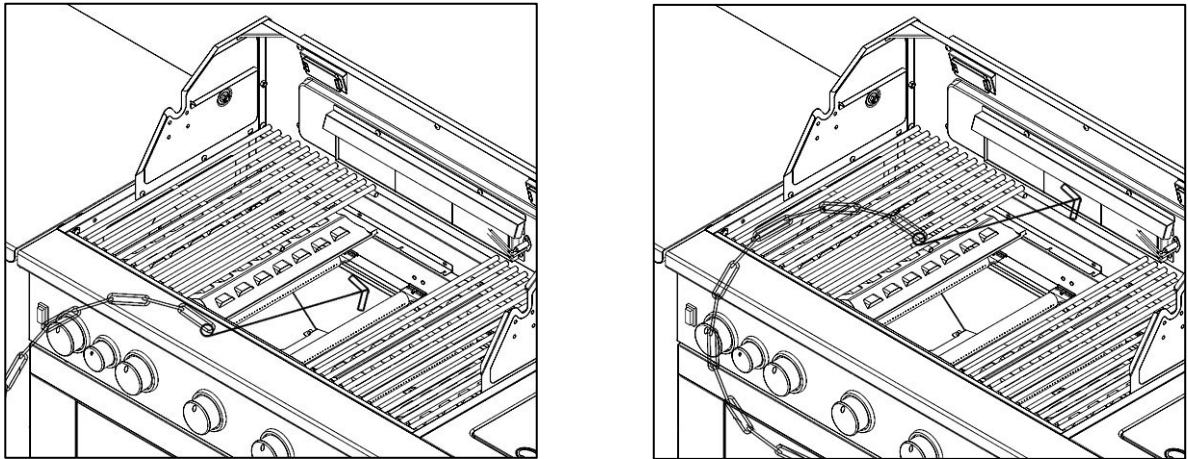


Fig. 37 Ilustración del encendido con fósforo/papel

Encendido inicial de la parrilla

Cuando encienda la parrilla por primera vez, se recomienda que coloque los quemadores principales en “HIGH” durante 20 minutos con la cubierta abajo y que luego los apague. Esto atempera la parrilla.

Pre calentamiento de la parrilla

Es muy importante que su parrilla tome temperatura antes de que comience a usarla. Después de encenderla, cierre la cubierta y precaliente la parrilla en la posición “HIGH” durante 15 minutos. Este precalentamiento garantizará que la parrilla y la rejilla de cocción estén lo suficientemente calientes como para asar correctamente.

PRECAUCIÓN: No cubra las rejillas durante el período de precalentamiento.

ADVERTENCIA: Nunca deje la parrilla sin supervisión a fin de evitar que posibles incendios ocasionados por la grasa se salgan de control. Los incendios provocados por grasa pueden ser graves y provocar daños en la parrilla, a la propiedad y causar lesiones corporales.

Apertura o cierre de la cubierta para asar

Cocinar con la tapa abierta o cerrada es una cuestión de gusto personal. Cocinar con la tapa cerrada es recomendable si disfruta cocinar a altas temperaturas “para tostar”. Este método además producirá “llamaradas”, acelerará el procedimiento de cocción y le brindará sabores más fuertes, ahumados y característicos de la cocción al aire libre. Si prefiere cocinar más lentamente, con menos llamaradas, le sugerimos el método a tapa cerrada.

INSTRUCCIONES DE FUNCIONAMIENTO

Recomendamos que siempre cocine con la tapa CERRADA si se encuentra en una zona ventosa o de clima frío. La parrilla 3218LTN ha sido diseñada y fabricada para brindarle máxima flexibilidad y rendimiento de cocción. Sea creativo. Pruebe los diferentes métodos de cocción en su parrilla para determinar cuál satisface mejor sus necesidades. No existe una forma correcta o incorrecta de cocinar, simplemente diferentes estilos de cocción. ¡Sea creativo y disfrute!

ADVERTENCIA: Recuerde que ésta es una parrilla a gas para exteriores. Muchas áreas de la parrilla generan calor extremo. Hemos tomado todas las precauciones a fin de protegerlo de las áreas de contacto. Sin embargo, es imposible aislar todas las áreas de alta temperatura. Por lo tanto, use el sentido común y tenga cierto grado de precaución cuando ase en este producto. Sugerimos que se cubra y proteja las manos cuando opere la parrilla. No mueva la parrilla mientras está en uso o caliente al tacto. Espere a que la unidad se apague y se enfríe antes de moverla. El incumplimiento de esta advertencia podría provocar lesiones personales.

Post calentamiento

Para mantener las rejillas libres de restos de comida carbonizada, coloque la parrilla en la posición "HIGH" durante 15 minutos una vez finalizada la cocción y retirados los alimentos.

PRECAUCIÓN: No cubra la parrilla durante el período de post calentamiento.

Después de post calentar la parrilla, gire las perillas de control a la posición "OFF".

Cierre del tanque de propano

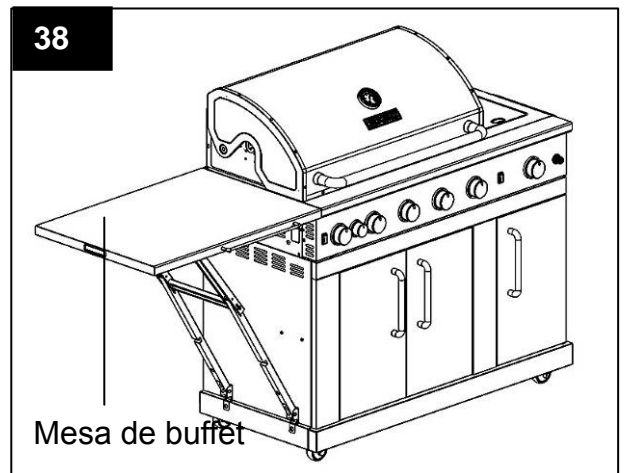
Una vez enfriada la caja del quemador, la válvula del tanque de propano también debe cerrarse. Si no desea esperar hasta que la caja del quemador se enfríe, cúbrase la mano para cerrar la válvula del tanque de propano.

ADVERTENCIA: No intente cerrar la válvula del tanque de PL sin primero cubrir sus manos con mitones de protección o permitir que la parrilla se enfríe. El incumplimiento de esta advertencia podría provocar quemaduras graves.

INSTRUCCIONES DE FUNCIONAMIENTO

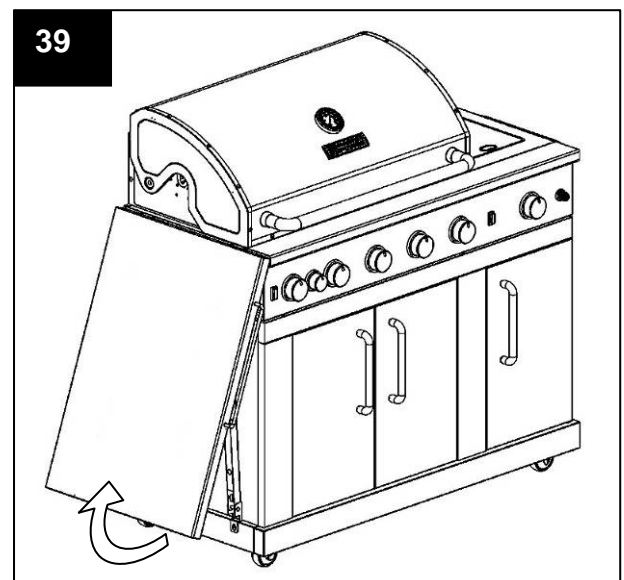
INSTRUCCIONES PARA EXTENDER LA MESA PARA APARADOR

La parrilla cuenta con una mesa para aparador extensible patentada, la que se puede plegar cuando no se usa. (Fig. 38)

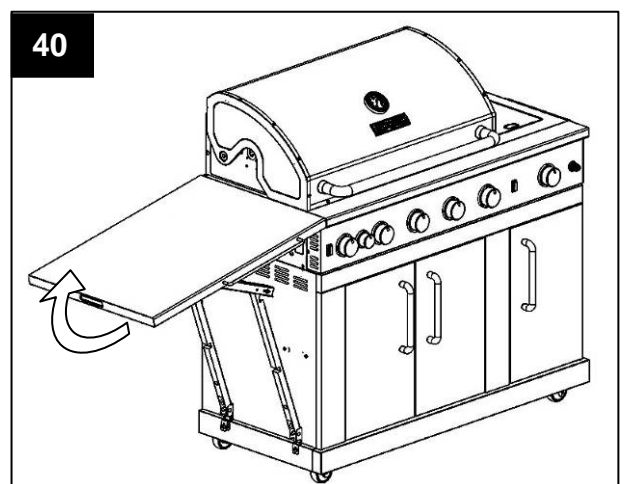


Para extender la mesa para aparador, siga los siguientes pasos:

1. Jale la parte inferior de la mesa hacia afuera. (Fig. 39)

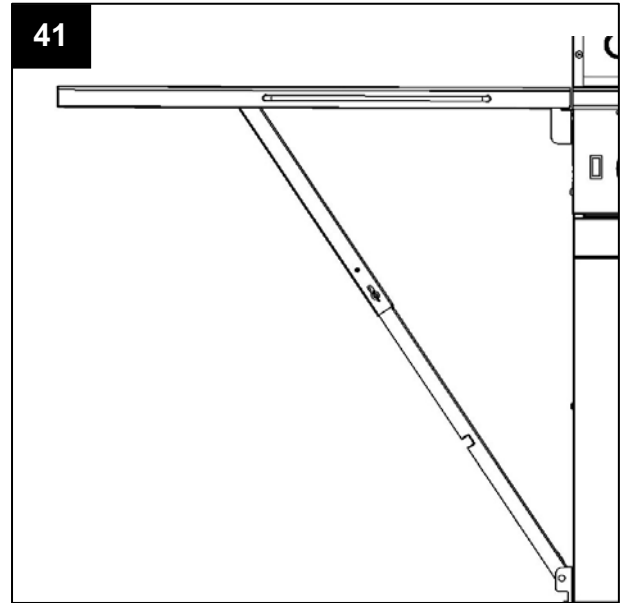


2. Sostenga la cubierta de la mesa mientras levanta la mesa. Durante este proceso preocúpese de sostener la cubierta de la mesa para evitar que se caiga. (Fig. 40)



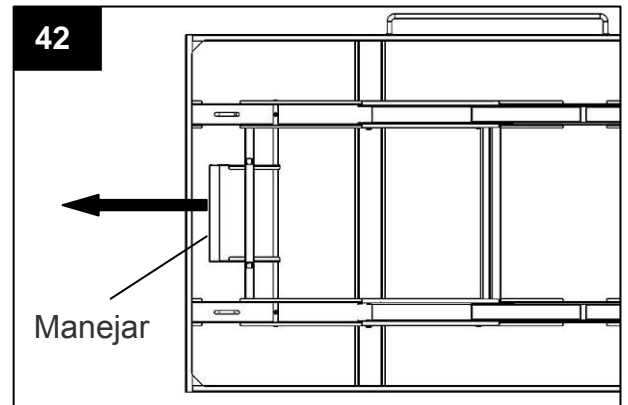
INSTRUCCIONES DE FUNCIONAMIENTO

3. La mesa quedará fija en la posición donde los soportes de la mesa casi estén en línea. Escuchará un clic cuando estén fijos. (Fig. 41)



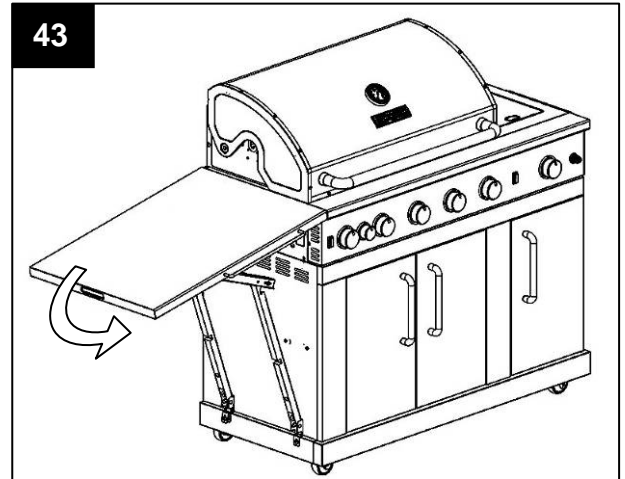
Para plegar la mesa para aparador, siga los siguientes pasos:

4. Jale la manija bajo la mesa. (Fig. 42)

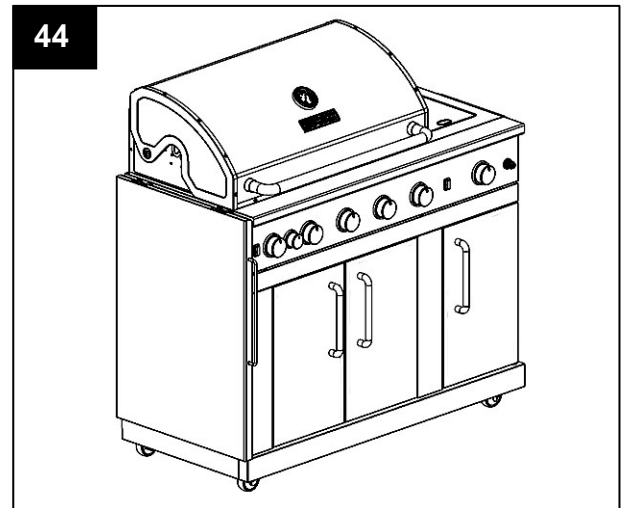


INSTRUCCIONES DE FUNCIONAMIENTO

5. Sostenga la mesa y bájela lentamente. (Fig. 43)



6. Empuje la mesa hasta dejarla en posición vertical. (Fig. 44)



Instrucciones para la conexión del transformador

Para su seguridad, la parrilla 3218LTN está equipada con un transformador aprobado por UL para uso en exteriores, que brinda bajo voltaje para alimentar la lámpara de 10 vatios de la parrilla que se proporciona con este modelo.

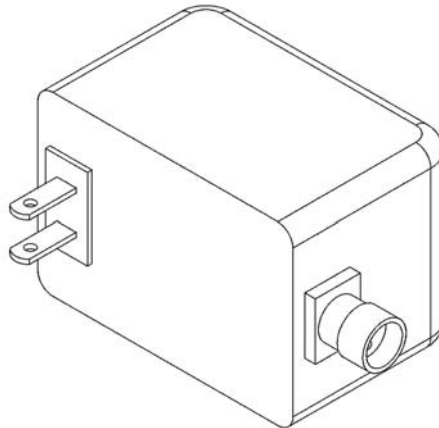


Fig. 45

Todo el cableado está conectado de fábrica, a excepción de esta fácil conexión que debe realizar usted: Conecte el cable de fábrica al transformador con el tornillo provisto en el conector de plástico.

Jale el cable de fábrica a través de la apertura en el panel posterior; presione el cable hacia el conector del transformador con firmeza, atornille el conector en su lugar y enchufe el transformador en cualquier tomacorriente de la casa. (Consulte la Fig. 46)

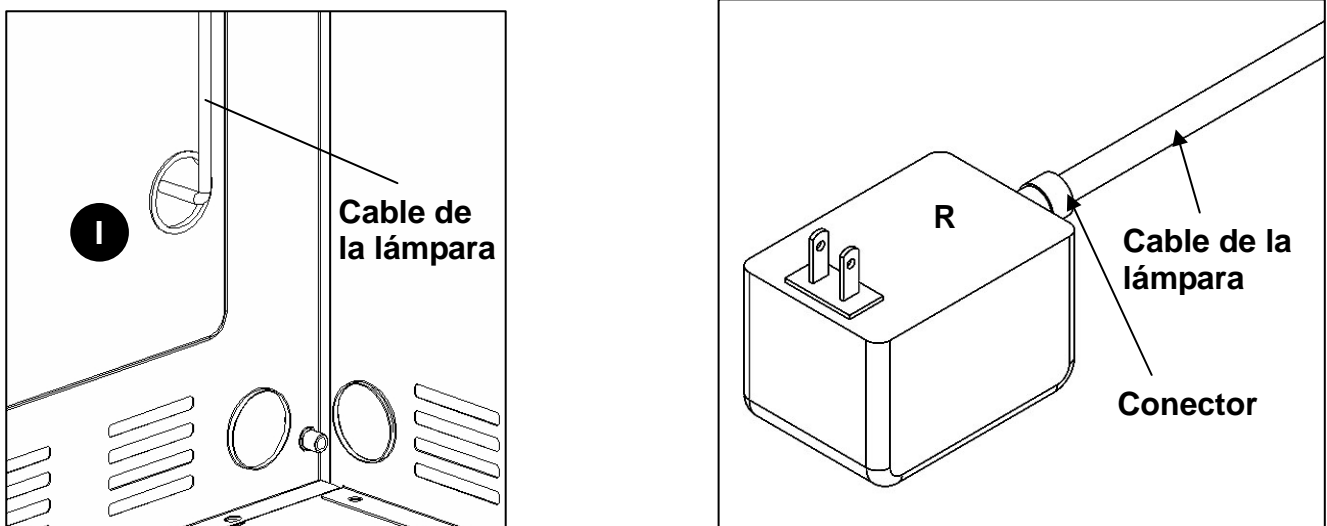
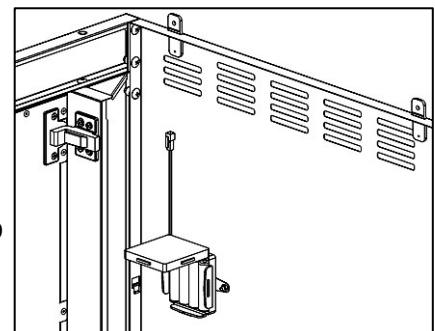


Fig. 46

Reemplace la batería del panel de luz LED

1. Abra la caja de baterías LED en el panel izquierdo del gabinete.
2. Abra la caja de baterías y reemplace la batería.
3. Tenga cuidado al escoger la polaridad de la batería cuando instale baterías nuevas.
4. Cierre la tapa de la caja de baterías.



LIMPIEZA Y MANTENIMIENTO

Instrucciones de funcionamiento de la lámpara

1. Asegúrese de que el interruptor de alimentación de la lámpara que está en el panel de control se encuentre en la posición "OFF" (APAGADO).
2. Conecte el enchufe a un tomacorriente con la debida puesta a tierra.
3. Lleve el interruptor de alimentación de la luz a la posición "ON" (ENCENDIDO).

ADVERTENCIA

Mantenga todos los cables de suministro de electricidad alejados de cualquier superficie caliente.

No encienda las luces cuando la cubierta esté cerrada.

Reemplazo de la bombilla

INSTRUCCIONES RELATIVAS A RIESGO DE INCENDIO, DESCARGAS ELÉCTRICAS, EXPOSICIÓN A RADIACIÓN UV EXCESIVA O LESIONES A LAS PERSONAS

INSTRUCCIONES IMPORTANTES DE SEGURIDAD

La lámpara encendida está CALIENTE:

ADVERTENCIA: PARA REDUCIR EL RIESGO DE INCENDIO, DESCARGAS ELÉCTRICAS, EXPOSICIÓN A RADIACIÓN EXCESIVA POR RAYOS UV O LESIONES A LAS PERSONAS:

1. Apague/desenchufe y permita que la bombilla (lámpara) se enfríe antes de reemplazarla.
2. La bombilla (lámpara) se CALIENTA rápidamente. Al encenderla, toque sólo el interruptor o el enchufe.
3. No toque las micas calientes, la protección o el compartimiento. (+)
4. No continúe expuesto a la luz si siente la piel caliente.
5. No mire directamente a la lámpara encendida.
6. Mantenga la lámpara lejos de materiales que puedan prenderse.
7. Use sólo con bombillas (lámparas) de 10 vatios o menos.
8. No toque la bombilla (lámpara) en ningún momento. Utilice un paño suave. Los aceites de la piel puede dañar la bombilla (lámpara).
9. No opere luminarias portátiles que tengan la protección, el compartimiento o el filtro UV dañados o faltantes. (+)

Observaciones:

(+) Protección: La protección es una porción de la unidad de luminaria portátil que previene el contacto inadvertido con la bombilla. Puede estar integrada con el filtro UV o ser parte del compartimiento o pantalla.

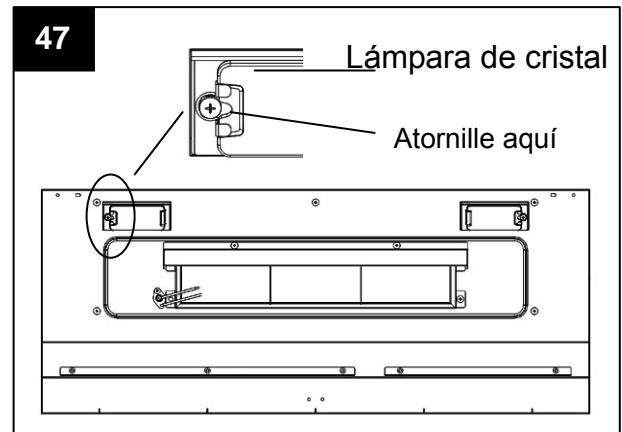
(+) Barrera de contención de la lámpara: La barrera de contención de la lámpara es una porción de la unidad de luminaria portátil que envuelve la bombilla.

(+) Filtro UV: El filtro UV es una porción de la unidad de luminaria portátil que limita las emisiones de rayos ultravioleta (UV).

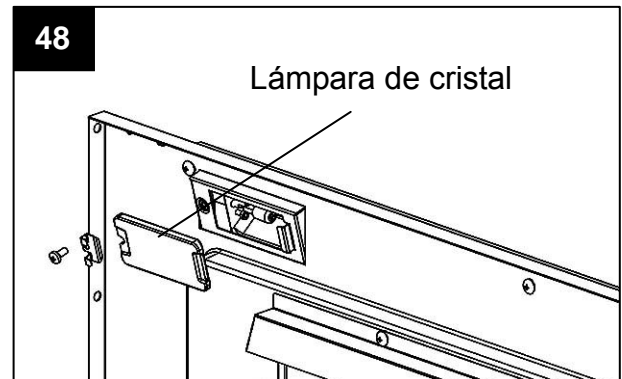
1. Asegúrese de que el interruptor de de la lámpara en panel de control esté en la posición "OFF" y que el enchufe esté desconectado del tomacorriente.

LIMPIEZA Y MANTENIMIENTO

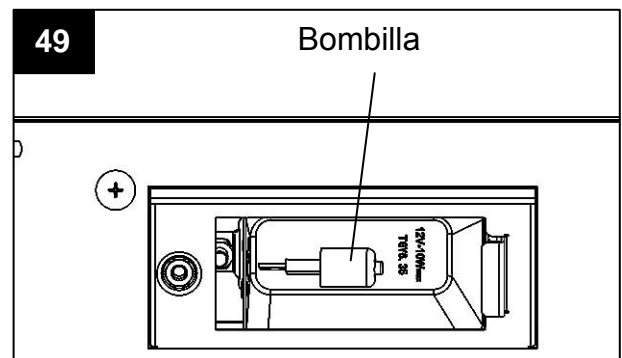
2. Utilice un destornillador para aflojar el tornillo que sujeta el panel posterior de la caja del quemador. **Sostenga la pantalla de la lámpara durante este proceso; de lo contrario, puede caerse, romperse y producir lesiones personales.** (Fig. 47)



3. Retire la pantalla de la lámpara. (Fig. 48)



4. Retire la bombilla y reemplácela por una nueva. (Fig. 49)



5. Realice las instrucciones de forma inversa del paso 4 al 1 para la instalación.

Método de limpieza

Siga los pasos 1 a 3 mencionados anteriormente para retirar la cubierta de vidrio. Utilice una toalla húmeda para limpiar la superficie de la cubierta de vidrio. Asegúrese de que ésta esté completamente seca antes de volver a instalarla.

ADVERTENCIA

Antes de limpiar la cubierta de vidrio, asegúrese de que el interruptor de la lámpara esté en la posición "OFF" y que el enchufe esté desconectado del tomacorriente.

ADVERTENCIA

La cubierta de vidrio de la lámpara no debe estar en contacto con el agua ni con otros líquidos cuando esté caliente. Un cambio brusco de temperatura puede ocasionar grietas en la cubierta de vidrio.

ADVERTENCIA

Para garantizar una protección continua contra descargas eléctricas:

1. Conecte sólo a tomacorrientes con la debida puesta a tierra.
2. No lo exponga a la lluvia.
3. Mantenga las conexiones de la extensión eléctrica secas y separadas del suelo.

Especificaciones de la bombilla

Tipo de bombilla: Halógena

Vataje: 10 vatios por bombilla

Voltaje: 12 voltios

Póngase en contacto con el Servicio al cliente al **1-800-963-0211** para obtener ayuda sobre el reemplazo de bombillas.

Verificación de la llama

Consulte la Fig. 50 a continuación (vista lateral de la parrilla). Verifique la llama una vez encendida la parrilla. Asegúrese de tener una llama estable, principalmente azul.

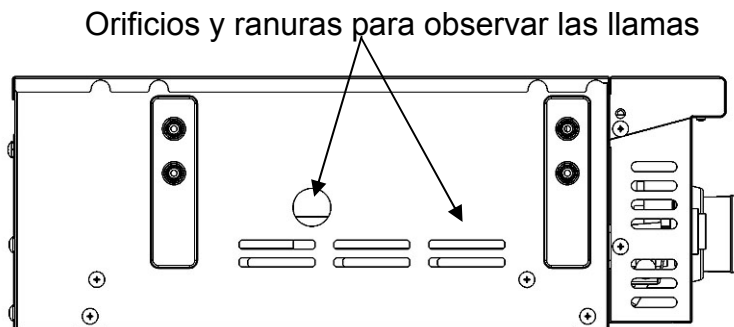


Fig. 50

Ajuste del obturador de aire

Los obturadores de aire del quemador principal vienen ajustados de fábrica para su comodidad. Las configuraciones son:

- (1) Completamente abierto para gas PL.
- (2) Medianamente abierto para gas natural.

Si desea regular de forma más precisa la configuración del obturador (o si su llama es más bien amarilla que azul), siga este procedimiento.

ADVERTENCIA: No toque el quemador tras regularlo. El quemador está caliente.

- Afloje el obturador de aire. Los obturadores se encuentran al extremo de los quemadores de gas, debajo de la caja de control. Consulte la Fig. 51
- Afloje el tornillo del obturador de aire.
- Encienda el quemador que desea regular.
- Con la mano protegida por un guante, regule el obturador de aire hasta que observe una llama estable, principalmente azul, a través de las ranuras y los orificios de observación a cada lado de la caja del quemador. Las llamas aceptables se muestran en la Fig. 52.
- Apriete el tornillo de fijación del obturador de aire lo suficiente como para sostener el obturador en su lugar.
- Repita el procedimiento en los otros quemadores.

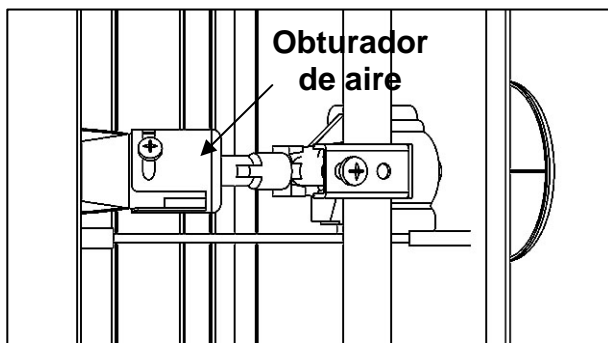


Fig. 51 Obturador de aire

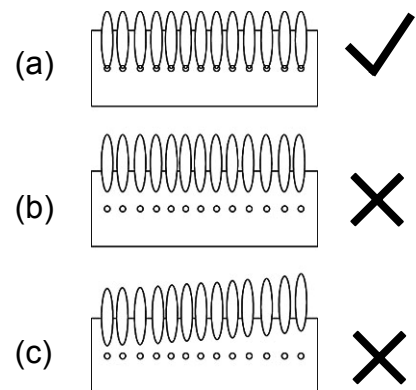


Fig. 52 Llama aceptable: sólo (a)

PRECAUCIÓN: Si utiliza el kit de conversión a gas natural, recuerde ajustar el obturador de aire del quemador principal (para obtener más detalles, lea el manual de conversión a gas natural).

Reemplazo de la batería

- Desatornille la tapa en el compartimento para la batería y retire la batería antigua.
- Cámbiela por una batería nueva y vuelva a instalar la tapa.

Nota: Se debe insertar primero el lado negativo (-) de la batería. Consulte la marca al costado de la tapa.

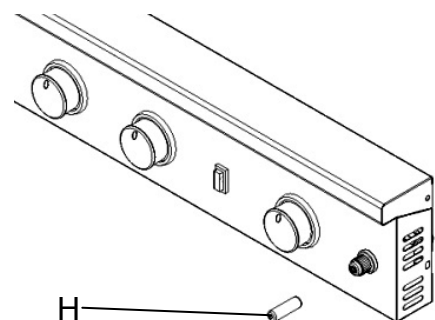


Fig. 53

Acero inoxidable

La parrilla a gas 3218LTN inoxidable está fabricada principalmente de acero inoxidable. El acero inoxidable no se oxida en ciertas condiciones; por lo tanto, debe usar una cubierta y un limpiador de acero inoxidable cuando no utilice la parrilla.

LIMPIEZA Y MANTENIMIENTO

Limpie todas las superficies no aptas para cocción con limpiador de acero inoxidable una vez al mes.

Nunca limpie el acero inoxidable si está caliente.

Después de asar por primera vez, algunas áreas de la parrilla (como los orificios de ventilación, la cubierta y la caja del quemador) pueden decolorarse. Se trata de una decoloración normal ocasionada por el intenso calor de los quemadores.

Se pueden acumular y adherir motas de grasa en las superficies de acero inoxidable. Generalmente, éstas pueden eliminarse con agua jabonosa tibia o limpiador de acero inoxidable. Como último recurso, puede usar una almohadilla ligeramente abrasiva con limpiador de acero inoxidable. Presione suavemente la almohadilla y friegue en dirección de la veta.

No use lana de acero para limpiar la parrilla.

No utilice limpiadores abrasivos sobre las superficies pulidas. Sea cuidadoso al limpiar. Puede usar pulidor de metal o limpiador de cromo suave para restablecer el lustre y los reflejos. Puede usar limpiador de óxido para eliminar las manchas de óxido ocasionadas por fuentes externas. Siga las instrucciones del limpiador de óxido cuidadosamente.

Para retocar pequeños rayones perceptibles en el acero inoxidable, lije suavemente la superficie afectada con papel de lija con esmeril de grano 160 seco en la dirección de la veta.

Quemadores

Los quemadores están hechos de acero inoxidable y pueden sumergirse en agua para limpiarse con un cepillo de alambre de latón o un cepillo de cerdas rígidas. Compruebe que no haya obstrucciones en los orificios del puerto. Use un pasador de alambre (más pequeño que el puerto) para limpiar los puertos obstruidos. No agrande los puertos. Asegúrese de que los quemadores estén secos antes de volver a colocarlos en la parrilla. Fig. 54

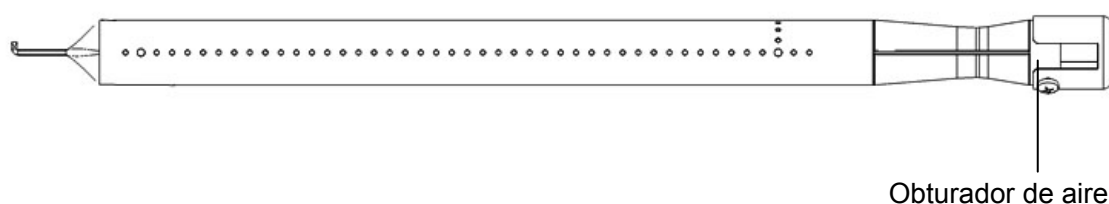


Fig. 54

LIMPIEZA Y MANTENIMIENTO

Arañas e insectos pueden anidar dentro de los quemadores de ésta o cualquier otra parrilla y ocasionar que el gas fluya desde la parte frontal del quemador. Esto podría ocasionar un incendio detrás del panel de la válvula que dañaría la parrilla y haría que su funcionamiento fuese inseguro. Inspeccione los quemadores al menos una vez al año o inmediatamente después de que ocurran las siguientes condiciones:

1. Se percibe olor a gas y las llamas del quemador son amarillas.
2. La parrilla no levanta temperatura.
3. La parrilla no calienta de forma uniforme.
4. Los quemadores producen estallidos.

Bandeja de goteo

La bandeja de goteo recoge el exceso de grasa que se escurre y las partículas de alimentos que puedan caer.

Permita que la bandeja de goteo y su contenido se enfríen antes de limpiarla. Deslice la bandeja hacia fuera y límpiela. Asegúrese de que la bandeja esté instalada antes de usar la parrilla.

Se recomienda que revise la bandeja periódicamente para evitar cualquier posibilidad de incendios provocados por la grasa; de todos modos, la mayor parte de la grasa que chorrea se vaporizará en el artículo cocinado, brindándole el sabor de un asado al exterior.

Consejos útiles de cuidado y mantenimiento

Antes de asar, precaliente la parrilla por 15 minutos en la posición "HIGH" ("ALTA") con la cubierta abajo. Para evitar llamaradas o llamas producidas por grasa descontroladas, ase la carne con la cubierta abierta. Cierre la cubierta si la carne es gruesa, el clima es frío o usa un rostizador o el método de cocción indirecta.

Para el quemador para asar lateral, no lo utilice NUNCA cuando la tapa esté abajo.

Siempre protéjase la mano con un guante tomaollas o para cocinar al entrar en contacto con una superficie caliente.

Suba la cubierta al asar carnes, especialmente pollo. Baje la cubierta al usar el método de cocción indirecta o un rostizador.

NUNCA deje la parrilla sin supervisión durante la cocción.

Después de usar, cierre la cubierta, ponga los quemadores en la posición HI durante 15 minutos para realizar una autolimpieza quemando la grasa.

LIMPIEZA Y MANTENIMIENTO

Cuadro de tiempo de cuidado y mantenimiento

Artículo de parrilla	Frecuencia según el uso normal	Método de limpieza
Superficie pintada	Dos veces al año	Cera para automóviles
Superficie de acero inoxidable	Dos veces al año	Limpiador para acero inoxidable
Todas las rejillas	Después de cada uso	Queme y limpie
Rejillas de acero inoxidable	15 días	Apto para cepillo de alambre/lavaplatos
Rejillas de porcelana	15 días	Apto para frotar con agua jabonosa/lavaplatos
Cámaras de calor de quemadores	30 días	Cepillo de alambre
Quemadores	90 días	Cepillo de alambre
Interior de la caja del quemador	120 días	Se vende en Productos de limpieza para el interior de parrillas de Lowe's

Medición de la cantidad de GPL combustible


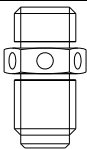
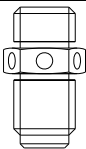
Para medir la cantidad de propano combustible del tanque de gas, la parrilla debe estar en funcionamiento. Coloque la mano en la parte superior del tanque y lentamente muévala hacia abajo por el costado hasta que sienta el tanque frío al contacto. Esto le indicará la cantidad aproximada de gas propano de su tanque; si está 3/4 vacío, vuelva a llenarlo.

No use briquetas de carbón ni ningún otro material inflamable en la parrilla. El uso de dichos materiales podría anular su garantía y ocasionar incendios, explosiones y/o lesiones corporales.

Conversión a gas natural

Si decide convertir la parrilla a gas, artículo 0006554 Modelo 3218LTN, de gas propano líquido a gas natural, use el kit de conversión a gas natural, artículo 0050772.

El kit 0050772 incluye orificios para varios modelos de parrilla. Seleccione los orificios según la lista que aparece a continuación y deseche el resto. Siga las instrucciones de conversión incluidas con el kit.

Modelo	Número de artículo	Quemador principal Φ 1.37	Quemador lateral Φ 1.37	Quemador para rostizar Φ 1.40
				
3218LTN	0006554	5	1	1

PRECAUCIÓN: Si se presentan problemas con los quemadores o con flamas de baja intensidad luego de haber convertido el gas propano líquido en gas natural, es posible que las tuberías de gas natural no sean lo suficientemente grandes. Vea el cuadro "De la casa hasta la parrilla" en la página 79 para conocer las especificaciones para la tubería de gas natural. Póngase en contacto con un plomero para asegurar que exista la presión adecuada en la columna de agua de 17,78 cm.

SOLUCIÓN DE PROBLEMAS

Problema	Causa posible	Acción correctiva
La parrilla o la cocina lateral no encienden	<ol style="list-style-type: none"> 1. El cable de encendido se desconectó del encendedor eléctrico. 2. La distancia entre el pasador de encendido y el quemador es superior a 2,60 mm-5,10 mm (quemador lateral). 3. El cable de encendido está roto. 4. La batería se ha agotado. 5. Los polos de la batería están mal colocados. 6. La punta del electrodo no produce chispas en el puerto del quemador. 7. No hay suministro de gas. 8. La abertura del obturador de aire es demasiado grande. 	<ol style="list-style-type: none"> 1. Vuelva a conectar el cable de encendido al encendedor eléctrico. 2. Afloje el pasador y ajuste la distancia, luego vuelva a apretarlo. 3. Póngase en contacto con el Departamento de Servicio al Cliente para obtener un cable de encendido de repuesto. 4. Instale una nueva batería AA. 5. Cambie la ubicación de los polos de la batería.. 6. Vuelva a instalar el electrodo. 7. Abra la válvula del regulador. 8. Afloje el obturador de aire y ajuste la abertura a un tamaño menor.
La llama del quemador es amarilla y se percibe olor a gas	<ol style="list-style-type: none"> 1. La abertura del obturador de aire no está bien ajustada. 2. Arañas o insectos bloquean el obturador de aire. 3. Hay fugas de gas. 	<ol style="list-style-type: none"> 1. Afloje el obturador de aire y ajuste la abertura hasta obtener llamas azules. Abertura de 0,6 cm para GPL. Abertura de 0,32 cm para gas natural. 2. Despeje las obstrucciones. 3. Busque el origen de la fuga de gas.
Llamas excesivas	<ol style="list-style-type: none"> 1. Se están asando carnes grasosas mientras las perillas se encuentran en "HIGH" (alto). 2. Roció agua sobre las llamas de gas. 3. La cubierta está cerrada mientras asa. 	<ol style="list-style-type: none"> 1. Ase las carnes grasosas con las parrillas frías y las perillas en la posición "LOW" (BAJO). Si las llamas excesivas continúan, coloque la carne en la rejilla para calentar hasta que las llamas se asienten. 2. Nunca rocíe agua sobre las llamas de gas. 3. Mantenga la cubierta abierta mientras usa la parrilla.

SOLUCIÓN DE PROBLEMAS

Problema	Causa posible	Acción correctiva										
El quemador se apaga	<ol style="list-style-type: none"> 1. El tanque de PL está vacío. 2. El quemador no está alineado con la válvula de control. 3. El suministro de gas no es suficiente. 	<ol style="list-style-type: none"> 1. Vuelva a llenar el tanque de PL. 2. Instale el quemador correctamente. 3. Verifique la manguera de suministro de gas y asegúrese de que no haya fugas ni nudos. 										
Se produce poco calor, gas natural	La presión del gas se ve considerablemente afectada por la línea de gas y el largo de la línea de gas proveniente de la casa.	<p>Verifique la línea de gas y realice las correcciones necesarias según la siguiente tabla.</p> <table border="1" data-bbox="874 904 1404 1339"> <thead> <tr> <th colspan="2" data-bbox="874 904 1404 981">Desde la casa hasta la parrilla</th> </tr> <tr> <th data-bbox="874 981 1114 1057">Distancia</th> <th data-bbox="1114 981 1404 1057">Tamaño de la tubería</th> </tr> </thead> <tbody> <tr> <td data-bbox="874 1057 1114 1115">Hasta 7,62 m</td> <td data-bbox="1114 1057 1404 1115">3/8" de diámetro</td> </tr> <tr> <td data-bbox="874 1115 1114 1191">De 7,92 m a 15,24 m</td> <td data-bbox="1114 1115 1404 1191">1/2" de diámetro</td> </tr> <tr> <td data-bbox="874 1191 1114 1339">De 15,54 m a 30,48 m</td> <td data-bbox="1114 1191 1404 1339">1/3" a 1/2" 2/3" a 3/4"</td> </tr> </tbody> </table>	Desde la casa hasta la parrilla		Distancia	Tamaño de la tubería	Hasta 7,62 m	3/8" de diámetro	De 7,92 m a 15,24 m	1/2" de diámetro	De 15,54 m a 30,48 m	1/3" a 1/2" 2/3" a 3/4"
Desde la casa hasta la parrilla												
Distancia	Tamaño de la tubería											
Hasta 7,62 m	3/8" de diámetro											
De 7,92 m a 15,24 m	1/2" de diámetro											
De 15,54 m a 30,48 m	1/3" a 1/2" 2/3" a 3/4"											
La parrilla genera poco calor con la perilla en la posición "HIGH" (ALTO)	<ol style="list-style-type: none"> 1. Los modelos a gas natural generan poco calor. 2. Los puertos están bloqueados. 3. El tanque de PL se ha agotado. 	<ol style="list-style-type: none"> 1. Este modelo está configurado para utilizar 177,80 mm de gas natural. Verifique su sistema de suministro de gas natural para determinar si tiene una presión de gas correcta. Los modelos a gas natural no requieren regulador. Verifique los orificios si instaló boquillas para GN. 2. Limpie las obstrucciones de los puertos. 3. Vuelva a llenar el tanque de PL. 										

SOLUCIÓN DE PROBLEMAS

Problema	Causa posible	Acción correctiva
Poco calor, gas PL	El ensamble del regulador de propano cuenta con un dispositivo de control de flujo excesivo diseñado para suministrar suficiente flujo de gas a la parrilla. Los cambios bruscos en la presión pueden activar el dispositivo de control de flujo excesivo y producir una llama y temperatura bajas.	Siga estas instrucciones: 1. Asegúrese de que todos los quemadores estén en la posición "OFF" (APAGADO). 2. Abra la válvula del tanque y espere 5 minutos. 3. Encienda de a un quemador por vez según las instrucciones de encendido enumeradas en el revestimiento de la puerta.
Disminución repentina del flujo de gas o llama baja	1. Se agotó el gas. 2. Se activó la válvula de exceso de flujo. 3. Hay un bloqueo de vapores en la tuerca de acoplamiento/conexión del cilindro de gas PL.	1. Verifique el nivel de gas en el cilindro de PL. 2. Apague las perillas, espere 30 segundos y encienda la parrilla. Si las llamas siguen bajas, apague las perillas y la válvula del cilindro de PL. Desconecte el regulador. Vuelva a conectar el regulador y compruebe que no haya fugas. Encienda la válvula del cilindro PL, espere 30 segundos y encienda la parrilla. 3. Coloque las perillas en la posición de apagado y cierre la válvula del cilindro de PL. Desconecte la tuerca de acoplamiento del cilindro. Vuelva a conectar e intente nuevamente.
La luz de cocción no se enciende.	1. No hay suministro de electricidad. 2. Bombilla halógena defectuosa. 3. Problema de los cables internos.	1. Revise el suministro de electricidad y asegúrese de que el transformador esté enchufado adecuadamente. 2. Reemplace la bombilla. 3. Revise las conexiones del cable debajo del revestimiento de ladrillos. Todas las conexiones de los cables deben estar bien apretadas. Si algún cable está dañado, debe remplazarse.
Las luces del panel de control LED no iluminan.	1. No hay energía. 2. Cableado dañado o conexión suelta. 3. Los cables no están unidos al interruptor del panel de control. 4. El interruptor está defectuoso. 5. LED defectuoso.	1. Instale pilas AA en la caja de la batería del LED. 2. Revise todas las conexiones de los cables entre la caja de baterías y la luz LED. También verifique las conexiones entre los LEDs en el panel de control. 3. Revise la conexión entre la luz LED y el interruptor de luz. 4. Reemplace el interruptor. 5. Reemplace las luces LED.

GARANTÍA

Se requiere un comprobante de compra para acceder a este programa de garantía, el cual entra en vigencia a contar de la fecha de compra. Si no se proporciona un comprobante de compra o una vez de que la garantía ha expirado, los clientes deberán pagar los cargos por piezas, envío y manipulación.

Antes de volver a la tienda, llame a nuestro Departamento de Servicio al Cliente al 1-800-963-0211 de lunes a jueves de 8:00 a.m. a 6:00 p.m., y los viernes de 8:00 a.m. a 5:00 p.m., hora estándar del Este.

Garantía limitada

5 años de garantía para los quemadores de acero inoxidable.

1 año de garantía para todas las piezas que afectan el funcionamiento de la parrilla a gas debido a daños.

Provisiones de la garantía:

Esta garantía no es transferible y no cubre fallas causadas por mal uso o instalación y mantenimiento inadecuados.

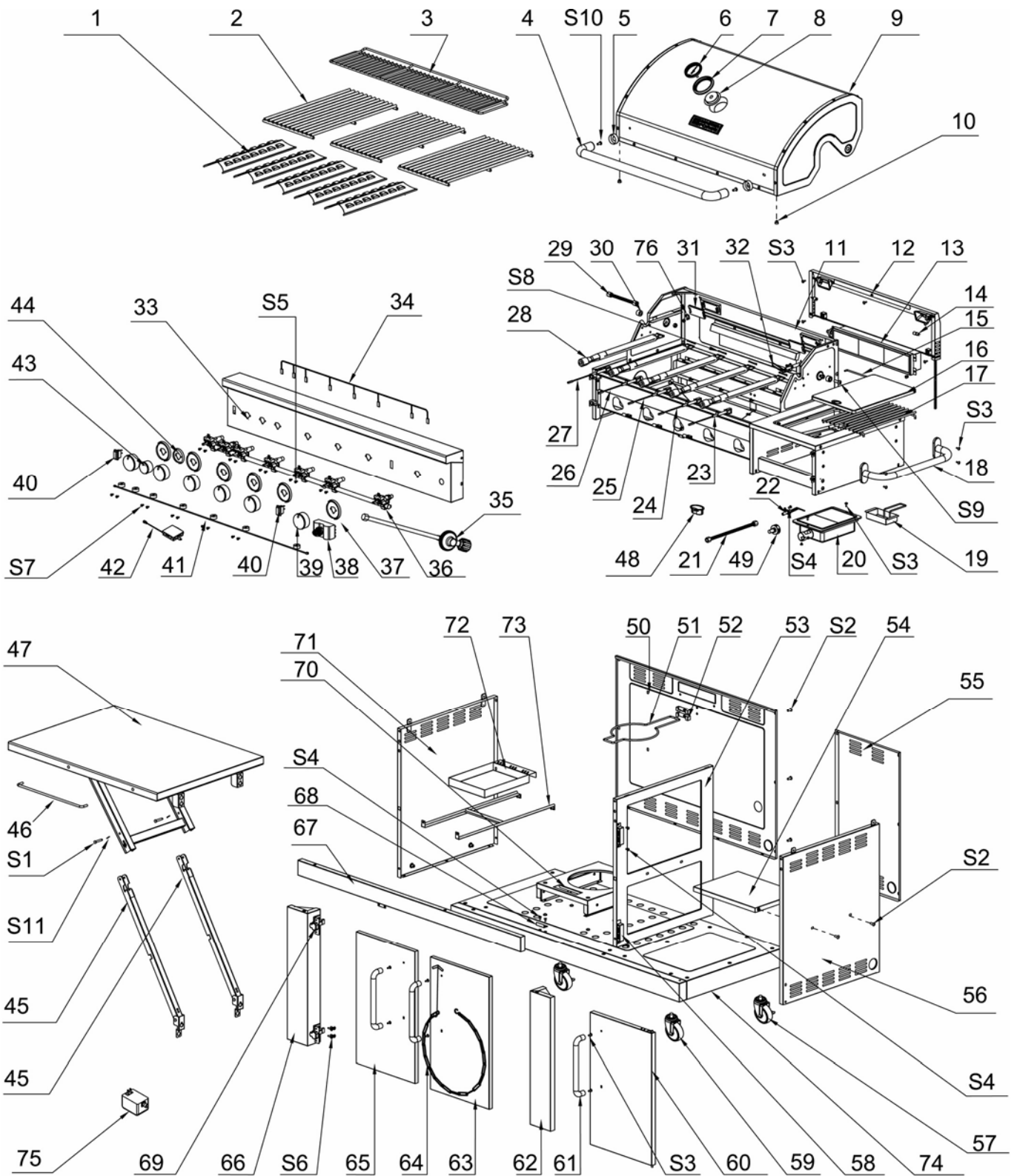
Esta garantía se limita sólo al reemplazo de piezas defectuosas. No somos responsables de daños accidentales o resultantes ni de costos de mano de obra.

Esta garantía no cubre la corrosión ni la decoloración una vez utilizada la parrilla, la falta de mantenimiento, los entornos adversos, los accidentes, las alteraciones, abusos ni negligencias.

Esta garantía no cubre ningún daño causado por el calor, limpiadores abrasivos y químicos ni ningún daño en otros componentes utilizados en la instalación u operación de la parrilla a gas.

Algunos estados no permiten la exclusión o limitación de los daños accidentales o resultantes, de modo que las exclusiones o limitaciones anteriores pueden no aplicarse en su caso. Esta garantía le otorga derechos legales específicos, pero podría tener también otros derechos que varían según el estado.

LISTA DE PIEZAS DE REPUESTO



Para obtener piezas de repuesto, llame a nuestro Departamento de Servicio al Cliente al 1-800-963-0211, de lunes a jueves de 8:00 a.m. a 6:00 p.m., y los viernes de 8:00 a.m. a 5:00 p.m., hora estándar del Este.

LISTA DE PIEZAS DE REPUESTO

Pieza	Descripción	Pieza #	Pieza	Descripción	Pieza #
1	CÁMARA DE CALOR	L3218-00-2001	39	PERILLA DEL QUEMADOR PRINCIPAL	E3518-00-3001
2	REJILLA DE COCCIÓN	3218LTN-00-2010	40	INTERRUPTOR	E3520-00-8015
3	REJILLA PARA CALENTAR	L3218-00-2020	41	CABLE DEL PANEL DE ILUMINACIÓN	3218LTN-00-8013
4	MANIJA DE LA CUBIERTA	3218LTN-00-4300	42	CAJA DE BATERÍAS	3218LTN-00-8014
5	BASE DE LA MANIJA DE LA CUBIERTA	3218LTN-00-4005	43	PERILLA DE QUEMADOR POSTERIOR	L3218-00-3001
6	INDICADOR DE TEMPERATURA	2518-3-8012	44	BISEL DE LA PERILLA DEL QUEMADOR POSTERIOR	L3218-00-3002
7	BISEL DEL INDICADOR DE TEMPERATURA	2518-3-6005	45	PATA DE LA MESA POSTERIOR	3218LTN-00-5001
8	MANGUITO DEL INDICADOR DE TEMPERATURA	3218LTN-00-4009	46	COLGADOR PARA TOALLAS	3218LTN-00-8020
9	CUBIERTA	3218LTN-00-4100	47	MESA PARA APARADOR	3218LTN-00-5104
10	TAPÓN DE GOMA	3219B-8081	48	MANIJA DE LA CUBIERTA	3218LT-00-2804
11	CAJA DEL QUEMADOR	3218LTN-00-2000	49	SIDE ORIFICIOS DEL QUEMADOR	P3018-00-8008-A
12	CUBIERTA DEL QUEMADOR POSTERIOR	L3218-00-2420	50	PANEL POSTERIOR IZQUIERDO	3218LTN-00-1201
13	QUEMADOR POSTERIOR	L3218-00-8009	51	ANILLO DE SEGURIDAD PATENTADO DEL TANQUE	P3018-00-1203
14	BOMBILLA	L3218-00-8021	52	ABRAZADERA DEL ANILLO DEL TANQUE	E3518-00-1202
15	EJE DEL QUEMADOR PARA ASAR	E3518-00-6002	53	PANEL CENTRAL	3218LTN-00-1321
16	CUBIERTA DEL QUEMADOR PARA ASAR	3218LTN-00-2802	54	TABLA DE ESTANTE	3218LTN-00-1340
17	PARRILLA DEL QUEMADOR PARA ASAR	3218LTN-00-2840	55	PANEL POSTERIOR DERECHO	3218LTN-00-1220
18	MANIJA DE LA PARRILLA	3218LTN-00-2250	56	PANEL DERECHO	3218LTN-00-1310
19	BANDEJA PARA LÍQUIDOS DEL QUEMADOR PARA ASAR	P3018-00-6010	57	RUEDA CON SEGURO	3218LTN-00-8013
20	QUEMADOR PARA ASAR	P3018-00-8008	58	IMÁN	L3018S-00-1310
21	MANGUERA DEL QUEMADOR PARA ASAR	3218LTN-00-8012	59	RUEDA	3218LTN-00-8012
22	PASADOR DE ENCENDIDO (QUEMADOR PARA ASAR)	3218LTN-00-8002	60	PUERTA DERECHA	3218LTN-00-1500
23	PASADOR DE ENCENDIDO (QUEMADOR PRINCIPAL)	P3018-00-8004	61	MANIJA DE LA PUERTA	L3018S-00-1410
24	PASADOR DE ENCENDIDO (QUEMADOR PRINCIPAL)	P3018-00-8005	62	FALDÓN DERECHO	3218LTN-00-1020
25	PASADOR DE ENCENDIDO (QUEMADOR PRINCIPAL)	P3018-00-8006	63	PUERTA CENTRAL	3218LTN-00-1600
26	PASADOR DE ENCENDIDO (QUEMADOR PRINCIPAL)	L3218-00-8007	64	CONTENEDOR DE FÓSFOROS	3019L-1710
27	PASADOR DE ENCENDIDO (QUEMADOR PRINCIPAL)	3218LTN-00-8003	65	PUERTA IZQUIERDA	3218LTN-00-1400
28	QUEMADOR PRINCIPAL	SH3118B-2004	66	FALDÓN IZQUIERDO	3218LTN-00-1010
29	MANGUERA DEL QUEMADOR POSTERIOR	P3018-00-8015	67	VIGA PRINCIPAL	3218LTN-00-1700
30	CONECTOR PARA CUBIERTA	E3518-00-0001	68	TOPE DE PUERTA	L3218-00-1112
31	VIDRIO PARA LÁMPARA	E3520-00-8017	69	ABRAZADERA DE MESA	P3018-00-8009
32	PASADOR DE ENCENDIDO (QUEMADOR POSTERIOR)	3218LTN-00-8008	70	SOPORTE DEL TANQUE	L3218-00-1120
33	CAJA DE CONTROL	3218LTN-00-3101	71	PANEL IZQUIERDO	3218LTN-00-1700
34	CABLE DE ENCENDIDO (QUEMADOR PRINCIPAL)	3218LTN-00-8001	72	BANDEJA PARA LÍQUIDOS DEL QUEMADOR PRINCIPAL	P3018-00-1002
35	REGULADOR DE GAS PROPANO LÍQUIDO	L3218-00-8006	73	BANDEJA PARA LÍQUIDOS DEL QUEMADOR PRINCIPAL	P3018-00-1900
36	TUBO COLECTOR	3218LTN-00-3200	74	SOPORTE DE LA BANDEJA PARA LÍQUIDOS	3218LTN-00-1100
37	BISEL DE LA PERILLA DEL QUEMADOR PRINCIPAL	E3518-00-3002	75	TRANSFORMADOR	E3520-00-8016
38	ENCENDEDOR ELÉCTRICO	L3218-00-8002	76	LÁMPARA PANTALLA CLIP	E3520-00-2442

LISTA DE PIEZAS DE REPUESTO

Pieza	Descripción	Pieza #	Pieza	Descripción	Pieza #
S1	EJE DEL PASADOR	GB 882 6×35	S7	TORNILLO TALADRO	ST3.5×9.5
S2	TORNILLO	1/4-20 × 5/8"	S8	PASADOR EN FORMA DE R	PASADOR EN FORMA DE R
S3	TORNILLO Y TUERCA	3/16-24 x 1/2"	S9	TORNILLO Y TUERCA	5/16-18UNC x 1"
S4	TORNILLO	5/32-32 x 3/8"	S10	TORNILLO	1/4-20 × 7/8"
S5	TORNILLO	M4 × 8	S11	PASADOR EN FORMA	GB/T 91 1.6×10
S6	TORNILLO DE CABEZA PLANA	5/32-32 x 1/2"			



Impreso en China

Master Forge & M Design® es una marca registrada de LF, LLC. Todos los derechos reservados.