

LIMITED WARRANTY* ONE (1) YEAR:

Your small kitchen appliance is warranted to the original purchaser to be free from any manufacturing defects under normal use and conditions for one (1) year, cord excluded. During that period, should the appliance fail to operate properly, return the appliance with your sales receipt to the store where purchased. If you use your appliance for household use and according to instructions, it should give you years of satisfactory service. This product warranty covers only the original consumer purchaser of the product.

WARRANTY IS ONLY VALID WITH A DATED PROOF OF PURCHASE.

To guarantee repair or replacement without charge, a dated sales receipt showing purchase within the limited warranty period* must accompany the appliance. Without a sales receipt, warranty will be estimated according to the appliance's manufactured date. A comparable appliance should arrive within 2-3 weeks. However, in case an appliance is not covered by warranty, correspondence offering alternatives will be mailed to you.

During the one-year warranty period, a product with a defect will be either repaired or replaced with a reconditioned comparable model (at our option) when the product is returned to our Service Center. (See the "Returns" section below). The repaired or replacement product will be in warranty for the remaining balance of the one-year warranty period and an additional one-month period.

This limited warranty covers appliances purchased and used within the 48 contiguous states plus the District of Columbia and does NOT cover:

- Damages caused by unreasonable use, neglect, normal wear and tear, commercial use, improper assembly or installation of product.
- Damages caused in shipping.
- Damages caused by replacement or resetting of house fuses or circuit breakers.
- Defects other than manufacturing defects.
- Breakage caused by misuse, abuse, accident, alteration, lack of proper care and maintenance, or incorrect current or voltage.
- Lost or missing parts of the product. Parts will need to be purchased separately.
- Damages of parts that are not electrical; for example: cracked or broken plastic or glass.
- Damage from service or repair by unauthorized personnel.
- Extended warranties purchased via a separate company or reseller.
- Consumer's remorse is not an acceptable reason to return a product to our Service Center.

*The consumer is responsible for any delivery charges for all replacement units provided for exchange under the warranty.

RETURNS: Any return of defective merchandise to the manufacturer must be processed accordingly by contacting customer service first to obtain an RA # (Return Authorization Number). We will not accept any returns of merchandise without an applicable RA #.

We cannot assume responsibility for loss or damages to products returned to us during incoming shipment. For your protection, always carefully package the product for shipment and insure it with the carrier. Be sure to enclose the following items with your return: any accessories related to the problem, your full address and daytime phone number, a note describing the problem, a copy of the dated sales receipt or other proof of purchase and a valid RA#. C.O.D shipments cannot be accepted.

*One Year Limited Warranty valid only in the **48 contiguous states plus the District of Columbia, excluding** Alaska, Hawaii, Puerto Rico and the Virgin Islands.

This warranty is effective only if the product is purchased and operated in the USA; product usage which is in violation of the written instructions provided with the unit will void this warranty.

For international warranty, please contact the local distributor.

**Any instruction or policy included in this manual may be subject to change at any time.

Rice Cooker with Steamer Attachment



**Model ERC-003ST (3 Cup Capacity)
ERC-008ST (8 Cup Capacity)
ERC-010ST (10 Cup Capacity)**

Model ERC-003ST thru 015ST *Elite Gourmet Rice Cooker with Steamer*

MAXI-MATIC, USA

18401 E. Arenth Ave. City of Industry, CA 91748

Customer Service Dept: (626) 912-9877 Ext.: 120 10am-5pm MON-FRI PST

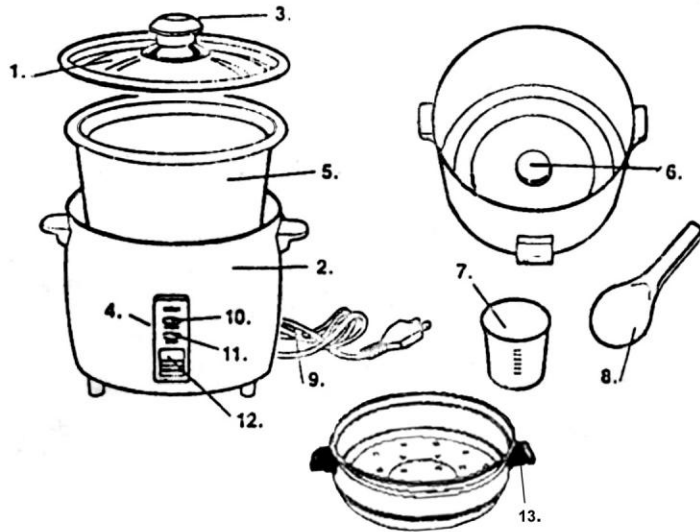
www.maxi-matic.com

email: info@maxi-matic.com

Instruction Manual

Parts & Contents

Before using your Electric Rice Cooker for the first time, you should become familiar with all of the parts. Read all instructions and safeguards carefully before operating the unit.



- 1) Lid
- 2) Heating Body
- 3) Handle
- 4) Rice Cooking Switches

- 5) Inner Pot
- 6) Heating Plate
- 7) Measuring Cup
- 8) Ladle

- 9) Cord
- 10) "Warm" light
- 11) "Cook" light
- 12) Switch
- 13) Steamer

Important Safeguards

When using electrical appliances, basic safety precautions should always be followed, including the following:

1. Read all instructions before operating.
2. Do not touch hot surfaces. Use handles or knobs.
3. To protect against electrical shock, do not immerse cord, plug or appliance itself in water or other liquids.
4. Close supervision is necessary when appliance is used by or near children.
5. Unplug from outlet when not in use and before cleaning. Allow to cool before putting on or taking off parts.
6. Do not operate any appliance with a damaged cord or plug or after the appliance malfunctions or has been damaged in any manner. Return the appliance to the nearest authorized service facility for examination, repair or adjustment.
7. The use of accessory attachments not recommended by the appliance manufacturer may cause injuries.
8. Do not use outdoors.
9. Do not let cord hang over edge of table or counter or touch hot surfaces.
10. Do not place on or near a hot gas or electric burner, or in a heated oven.
11. Always attach plug to appliance first, then plug cord into wall outlet. To disconnect, turn any control to OFF position, then remove plug from wall outlet.
12. Oversized foods or metal utensils must not be inserted in the appliance as they may cause a fire or risk of electrical shock.
13. A fire may occur if the appliance is covered or touching flammable material including curtains, draperies, walls and the like when in operation.
14. Do not clean with metal scouring pads. Pieces can break off the pad and touch electrical parts, involving a risk of electrical shock.
15. Extreme caution should be exercised when using containers constructed of other material other than metal or glass.
16. Do not store any materials other than manufacturers recommended accessories in this unit when not in use.
17. Do not place any of the following materials inside the unit: Paper, cardboard, plastic and the like.

SAVE THESE INSTRUCTIONS

THIS PRODUCT IS FOR HOUSEHOLD USE ONLY!

Before using your new Rice Cook

- 1) Only use this product with the correct AC voltage outlet. [For correct rated voltage, see box and label at the bottom of rice cooker unit.]
- 2) Be sure to unplug AC cord when pan is not in cooker, or when cooker is not being used. Remember the "Keep Warm" feature operates whenever the AC cord is plugged in.
- 3) Place the inner pot inside the cooker before operating. Turn the pot gently to the right and left.
- 4) If the switch button is difficult to depress to the "Cook" position, do not try to force it down. This difficulty usually occurs when inner pot is not fully inserted into the cooker or when the cooking cycle has just completed.
- 5) Place the lid on your inner pot while cooking. Keep the lid in place after serving to prevent your rice from drying out or discoloring.
- 6) Keep bottom of inner pot and surface of heater plate free of foreign matter to prevent operating malfunctions.

Check that the voltage on the rating plate of your appliance corresponds with your house electricity supply which must be A.C. (Alternating Current).

If the socket outlet in your home is not suitable for the plug supplied with this appliance, the plug should be removed and fitted the appropriate one.

WARNING: The plug removed from the mains lead, if severed, must be destroyed as a plug with bared flexible cord is hazardous if engaged into a live socket outlet.

● **ATTENTION: This appliance has a polarized plug (one blade is wider than the other). To reduce the risk of electric shock, this plug is intended to fit into polarized outlet only one way. If the plug does not fit fully into the outlet, reverse the plug. If it still does not fit, contact a qualified electrician. Do not attempt to modify the plug in the way.**

WARNING: This appliance must be earthed.

Before using your cooker for the first time, wash and dry the bowl, steamer tray, lid and spatula in warm, soapy water. Afterwards dry thoroughly.

Maintenance Procedures

- 1) Remove inner pot and lid and wash them in hot soapy water, taking care to rinse completely, then dry with a soft cloth.
- 2) Clean outside of cooker with a clean damp cloth. Never clean any part of the cooker with abrasive cleaner. Use a damp cloth or sponge with water and mild dish detergent. Do not submerge any part of cooker in water. Wash only inner pot and lid.
- 3) To clean the heating plate and thermo-control plate, use steel wool to polish or remove any residue. Then wipe with a damp cloth. Allow to dry completely before re-using. You must keep the heating plate and thermo-control plate free from any foreign objects, otherwise the cooker will not operate properly.
- 4) Improper cleaning of cooker may cause unpleasant odors.
- 5) Any residue to the vinegar or salt may cause pan to corrode.

How to Use

Always use the measuring cup provided in the package to measure and add rice to the inner pot.

COOKING RICE:

With measuring cup, add amount of water to the rice inside the inner pot according to the following estimated measurements provided below.

Cups of Uncooked Rice

15 Cups
14 Cups
12 Cups
10 Cups
8 Cups
6 Cups
4 Cups
2 Cups

Water added to line on pot

15 - 15 ½ Cups
14 - 14 ½ Cups
12 - 12 ½ Cups
11 - 11 ½ Cups
9 - 9 ½ Cups
7 - 7 ½ Cups
5 - 5 ½ Cups
3 - 3 ½ Cups

- 1) Set inner pot in cooker. Place rice and water in inner pot. Turn pan gently to right and left. Close lid securely.
- 2) Plug in power cord. Do not plug in until ready to cook. Otherwise rice may be spoiled. If pot is not in cooker, cooking will not begin.
- 3) Press switch to "Cook", indicator switch will say cooking has started.
- 4) When rice is done, the switch will pop up. Let rice stand covered for 15 minutes to steam rice.
- 5) Unplug after use. Grasp by the plug, not the cord to release.

*TIPS:

- Fill pot with uncooked rice after washing. Fill with water to overlap the layer of rice by ½" to 1", this will result in "perfectly" cooked rice.

- When cooking brown rice, periodically lift the lid to stir the rice along the bottom of the pot to prevent sticking.

STEAMING:

You can also use your rice cooker to steam a variety of foods such as vegetables, fish, and even potatoes.

- 1) Fill the steamer attachment with desired food for steaming.
- 2) Fill the rice cooker half way with room temperature water.
- 3) Set the steamer onto the rice cooker.
- 4) Cover with glass lid.
- 5) Press the switch to "Cook", indicator switch will say cooking has started.
- 6) Be careful when removing the lid for hot steam will rush out.

STEW:

Stewing in the rice cooker is quite similar to stewing in a slow cooker. Simply combine all the ingredients for your stew and place into the inner pot. Make sure when stewing that the water capacity should not be more than 70% of the volume of the inner pot.

Simply follow the instructions for cooking rice to stew with your deluxe rice cooker.